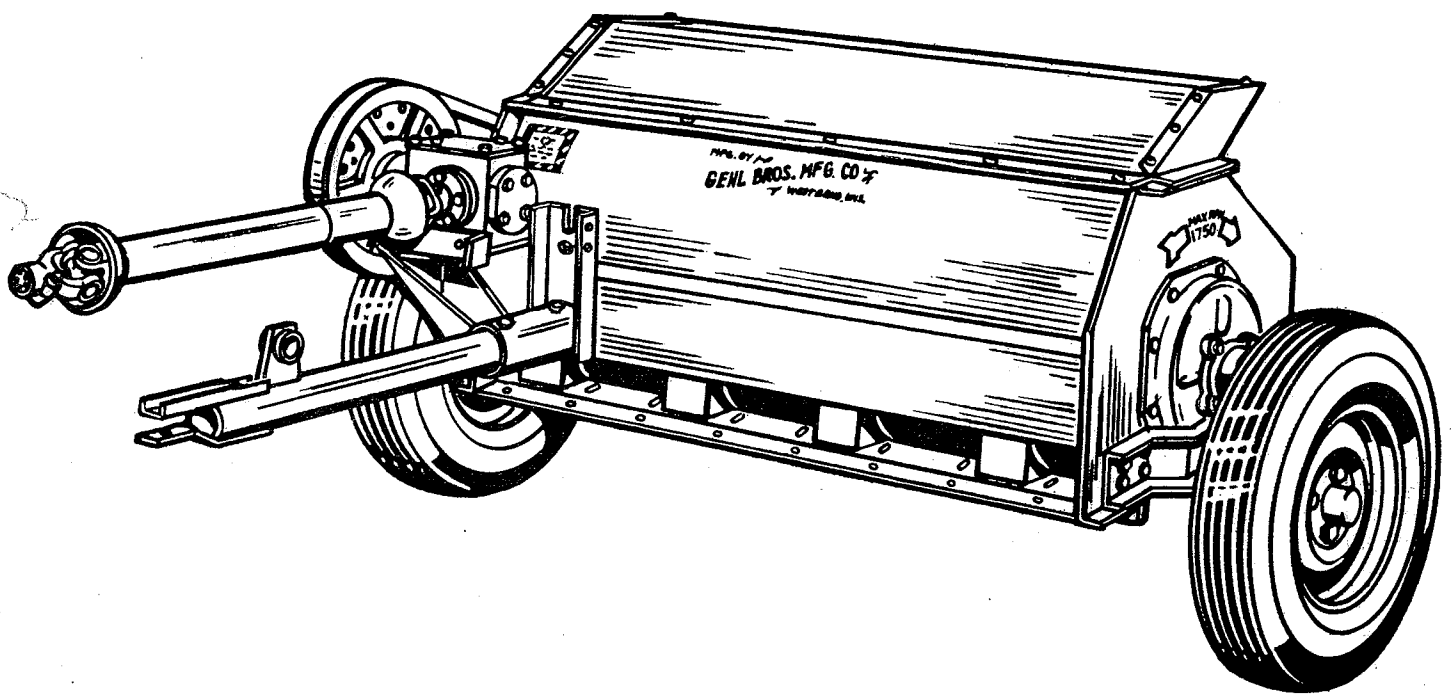




CC 60

SERVICE AND PARTS MANUAL

"CLEAN-CUT" SHREDDER



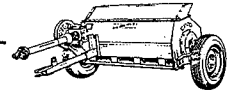
FORM 1765C

GEHL BROS. MANUFACTURING CO.

WEST BEND, WISCONSIN, U.S.A.

AMERICA'S LEADING LINE OF FORAGE HARVESTING, HANDLING,
AND FEED MAKING EQUIPMENT

OPERATING INSTRUCTIONS



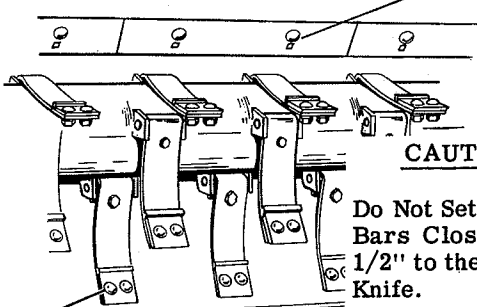
The Gehl "Clean Cut" Shredder while designed primarily for use in crop mulching operations, is readily adapted to a multitude of chores commonly engaged in during the harvest of many varieties of crops. Proven uses include: pasture and weed clipping, beet and potato topping, brush removal, chopping of orchard prunings, chopping for field mulching and numerous other uses.

Before field operation, check the entire unit for any parts which may have become loose in handling. Operate unit empty for a short period as a check that the unit has been properly assembled.

The entire unit has been greased before leaving the factory, but we suggest that you grease it sparingly before starting to operate. See lubrication instructions.

CUTTER BAR ADJUSTMENT

Cutter Bar can be adjusted for long or short cut or normal wear. Set Bars forward for long cut, to the rear or closer to the Knives for short cuts. When adjusting, be sure that cutting edge is maintained in a straight line and that all Nuts are properly tightened. Maintain sharp cutting edges at all times. Reverse Bars or sharpen when necessary.



CAUTION

Do Not Set Cutter Bars Closer than 1/2" to the Tip of Knife.

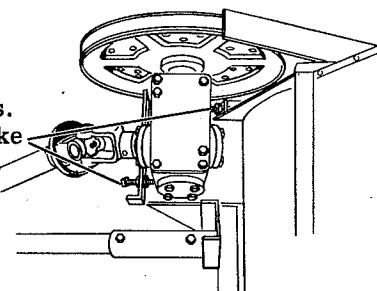
KNIFE ADJUSTMENT AND REPLACEMENT

Knife Holders are provided with slots to allow the Knives to fit against the Stop when they have been reversed or sharpened. Never allow the Knife to set at an angle or away from the Stop. Always use Gehl Knife Bolts should it be necessary to replace them.

Always maintain constant cylinder speed. If necessary to stop during field operations, always allow cylinder to attain proper operating speed before continuing cutting. If contact is made by cylinder with a foreign object, stop unit and check for any possible damage or operate unit for a short period to see if any vibration develops. Vibration will generally indicate unbalanced cylinder caused by missing knives or knife holders.

DRIVE BELT ADJUSTMENT

Maintain proper Belt tension at all times, especially during the initial operating hours. Turn Set Screws to take up Belt. Be sure Belt is properly aligned.

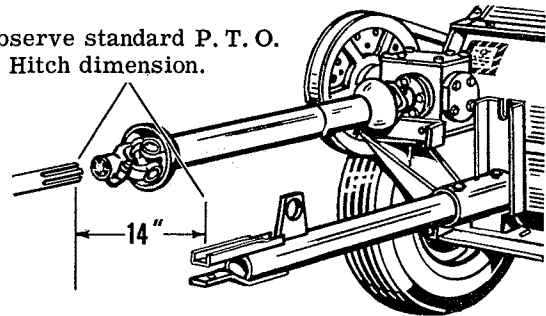


CAUTION: DO NOT ALLOW OTHERS TO STAND NEAR POINTS WHERE CYLINDER IS EXPOSED WHILE UNIT IS IN OPERATION.

Replace all worn or broken parts with genuine Gehl service parts from your authorized Gehl dealer.

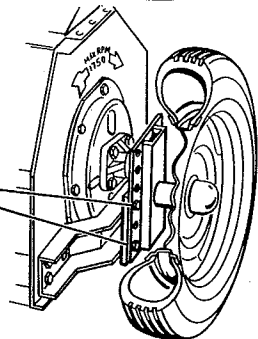
P. T. O. AND HITCH CONNECTION

Observe standard P. T. O. to Hitch dimension.



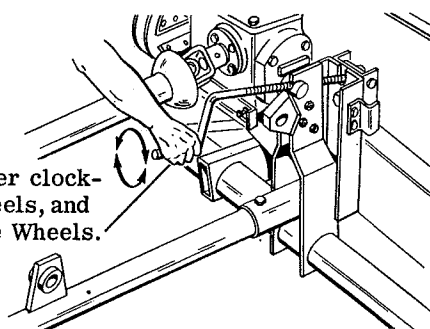
AXLE ADJUSTMENT

To Adjust Cutting Height, remove bolts and move Adjustable Spindle up or down. Be sure nuts are always tight after adjustment is made.



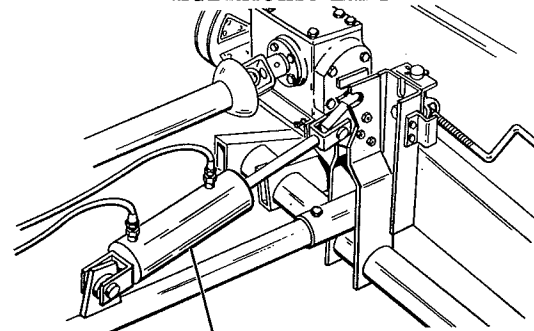
MANUAL LIFT

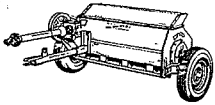
Turn Crank counter clockwise to lower Wheels, and clockwise to raise Wheels.



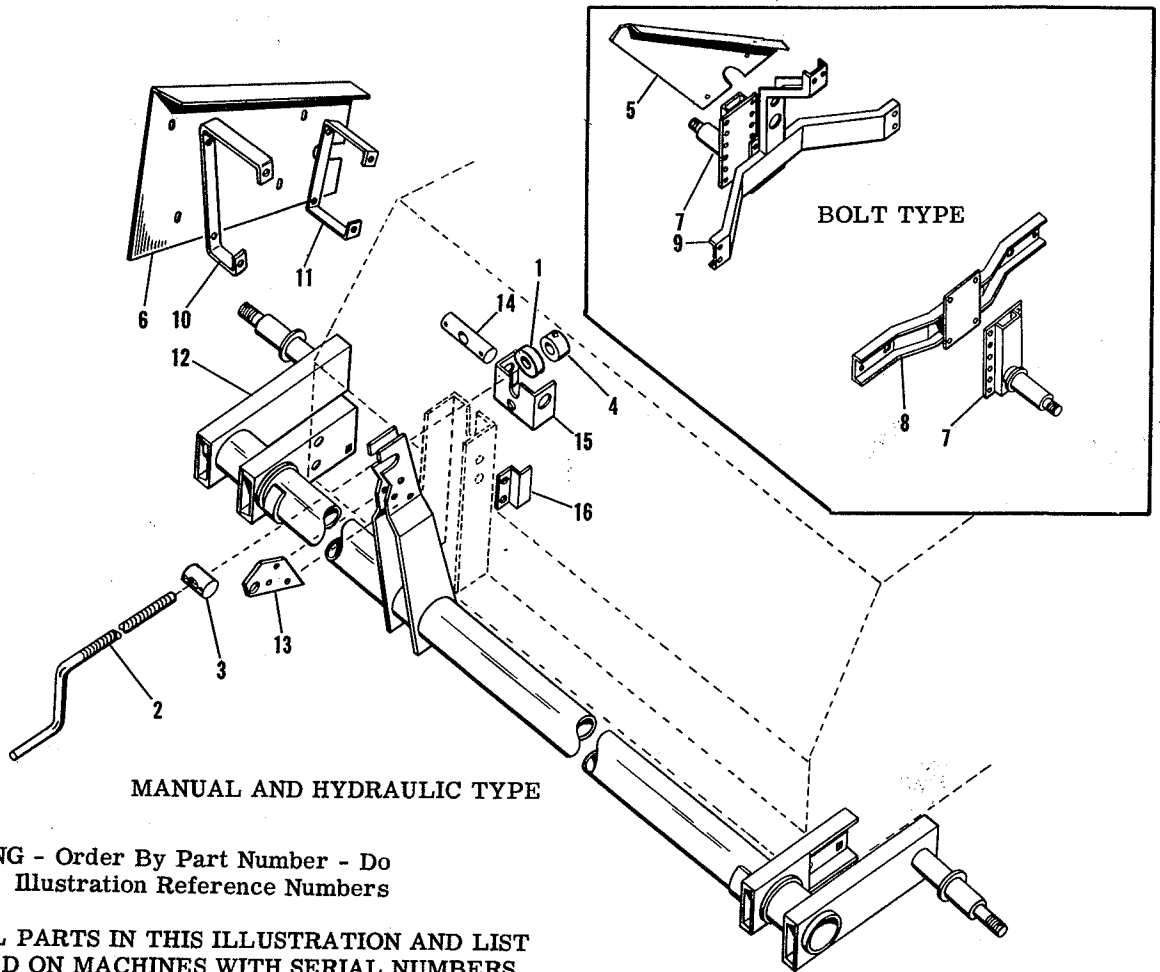
HYDRAULIC LIFT

Use standard 8" single or double action Cylinder. It is not necessary to disassemble the Manual Crank when the Hydraulic Lift is used. Turn the Crank to the side and lay in Bracket. If the Cylinder is removed for other purposes, the Crank can again be engaged to lock out the Lift.





LIFT MECHANISM



MANUAL AND HYDRAULIC TYPE

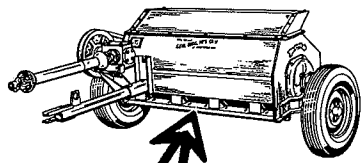
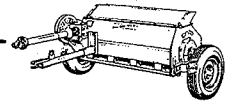
WARNING - Order By Part Number - Do Not Use Illustration Reference Numbers

NOTE: ALL PARTS IN THIS ILLUSTRATION AND LIST USED ON MACHINES WITH SERIAL NUMBERS HIGHER THAN 2175 UNLESS CONVERTED.

Ref. No.	Part No.	Part Name	No. Req.
1	520007	Lift Screw Bearing (T77)	1
2	R13017A	Lift Screw	1
3	R13018	Lift Screw Nut - Front	1
4	R13018A	Lift Screw Nut - Rear	1
		Cotter Pin 3/16 x 2	1
5	R13037A	Drive Sheave Guard	1
6	R13037B	Drive Guard	1
7	R13105	Adjustable Spindle	2
		Cotter Pin 1/8 x 1-1/4	2
		Nut - Slotted 3/4	2
8	R13106	Axle Support - Right	1
9	R13107	Axle Support - Left	1
10	R13121	Guard Bracket - Front	1
11	R13122	Guard Bracket - Rear	1
12	R13123	Adjustable Axle	1
		Cotter Pin 1/8 x 1-1/4	2
13	R13124	Hydraulic Cylinder Pivot	4
14	R13126	Lift Screw Pivot	1
		Cotter Pin 3/16 x 2	2
15	R13127	Lift Screw Pivot Holder	1
16	R13128	Lift Screw Stop	1

ALWAYS GIVE MODEL AND SERIAL NUMBER WHEN ORDERING SERVICE PARTS

FRAME, CYLINDER AND HITCH

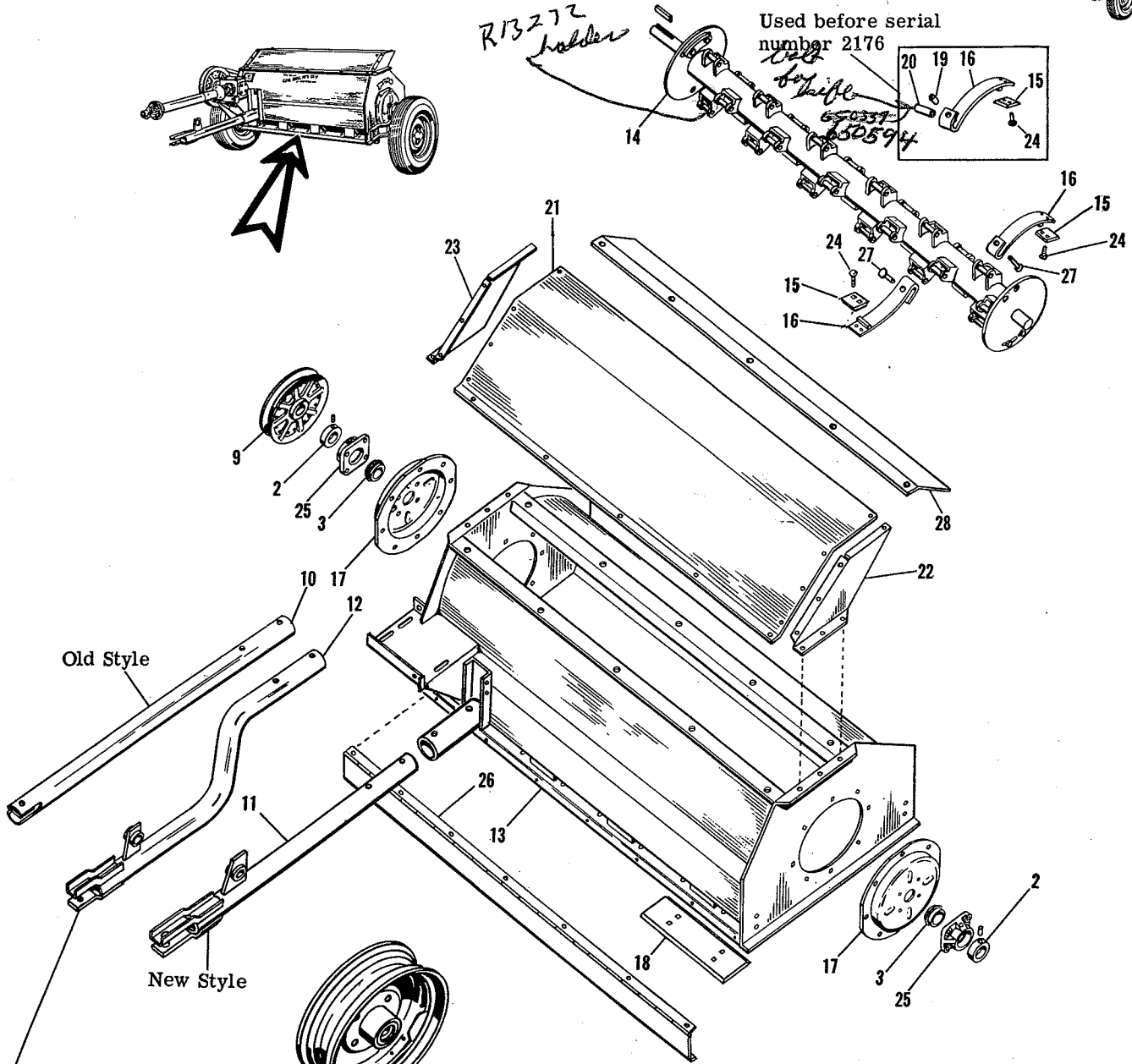


R13272 holder

Used before serial number 2176

Old style

650594

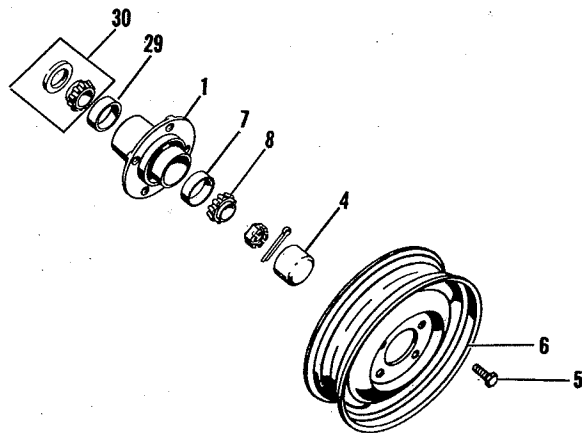


Old Style

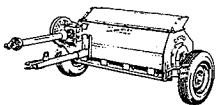
New Style

Used only on units converted to combination
Lift before serial #2176

WARNING - Order By Part Number - Do Not Use Illustration Reference Numbers



ALWAYS GIVE MODEL AND SERIAL NUMBER WHEN ORDERING SERVICE PARTS



FRAME, CYLINDER AND HITCH

Ref. No.	Part No.	Part Name	No. Req.	Ref. No.	Part No.	Part Name	No. Req.
1	550004	Wheel Hub (Q633)	2	18	R13026*	Cutter Bar (Accessory)	4
2	520093	Bearing Collar (S1107K)	2	19	R13027	Knife Spacer (Used before serial#2176)	30
3	520092	Cylinder Bearing (G1107KRRB)	2	20	R13028	Knife Bushing (Used before serial #2176)	30
4	550020	Dust Cap (FS8432)	2	21	R13034C	Shredder Outlet	1
5	550041	Wheel Bolt (FS8449)	8	22	R13035A	Shredder Outlet Side - Right	1
6	550035	Drop Center Wheel (C11895)	2	23	R13036A	Shredder Outlet Side - Left	1
7	520021	Bearing Cup (LM11910)	2	24	R13045	Knife Bolt	60
8	520022	Bearing Cone (LM11949)	2	25	R13062	Bearing Housing Grease Fitting 570003 (1611B)	2
9	R13011A	Driven Sheave	1	26	R13110*	Shredder Baffle (Accessory)	1
10	R13014A	Drawbar Hitch (Old Style) (Used before serial#2176)	1	27	R13130	Knife Pin (Used after serial #2175)	30
11	R13014B	Drawbar Hitch (New Style) (Used after serial #2175)	1	28	R13141*	Cotter Pin 3/16 x 1-1/4	30
12	R13014C	Drawbar Hitch (Conversion) (Used only on units converted to Combination Lift before Serial Number 2176)	1	29	520054	Outlet Extension	1
13	R13015A	Main Frame	1	30	520055	Bearing Cup (LM67010) Bearing Cone and Seal Assembled (LM67048L - LM67000L)	2
		Sq. Hd. Set Screw 3/8 x 2-1/2	2				
14	R13022	Cylinder Tapered Key 5/16 x 2	1				
15	R13023	Knife	30				
16	R13024	Knife Holder (Includes R13130 & Cotter Pin)	30				
17	R13025	Cylinder Cap	2				

*AVAILABLE ACCESSORIES

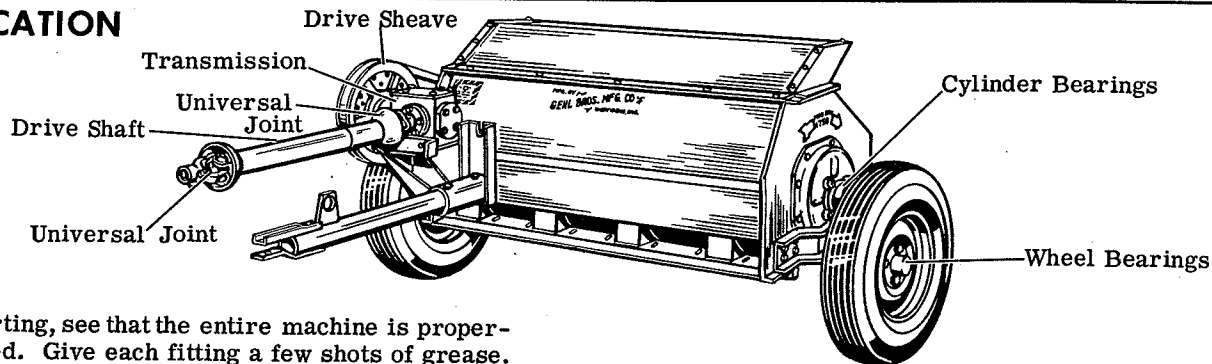
Cutter Bars also are not furnished as standard equipment and are available as accessories. Order four Cutter Bars, Gehl Part No. R13026. These should be ordered separately and the order should state for use on the "CC60" Shredder, as they will then be furnished with the necessary hardware.

To increase blowing and pickup qualities in certain crop and field conditions, the shredder baffle is recom-

mended. This is not provided as standard equipment and is available as an accessory. It is furnished complete with attaching bolts.

For use on Highway shoulders, park or roadside mowing, we recommend the Outlet Extension. With this outlet the cut material is diverted back to the ground to eliminate any possibility of danger to auto traffic or the operator. This is available as an accessory. It is furnished complete with attaching bolts.

LUBRICATION



Before starting, see that the entire machine is properly lubricated. Give each fitting a few shots of grease.

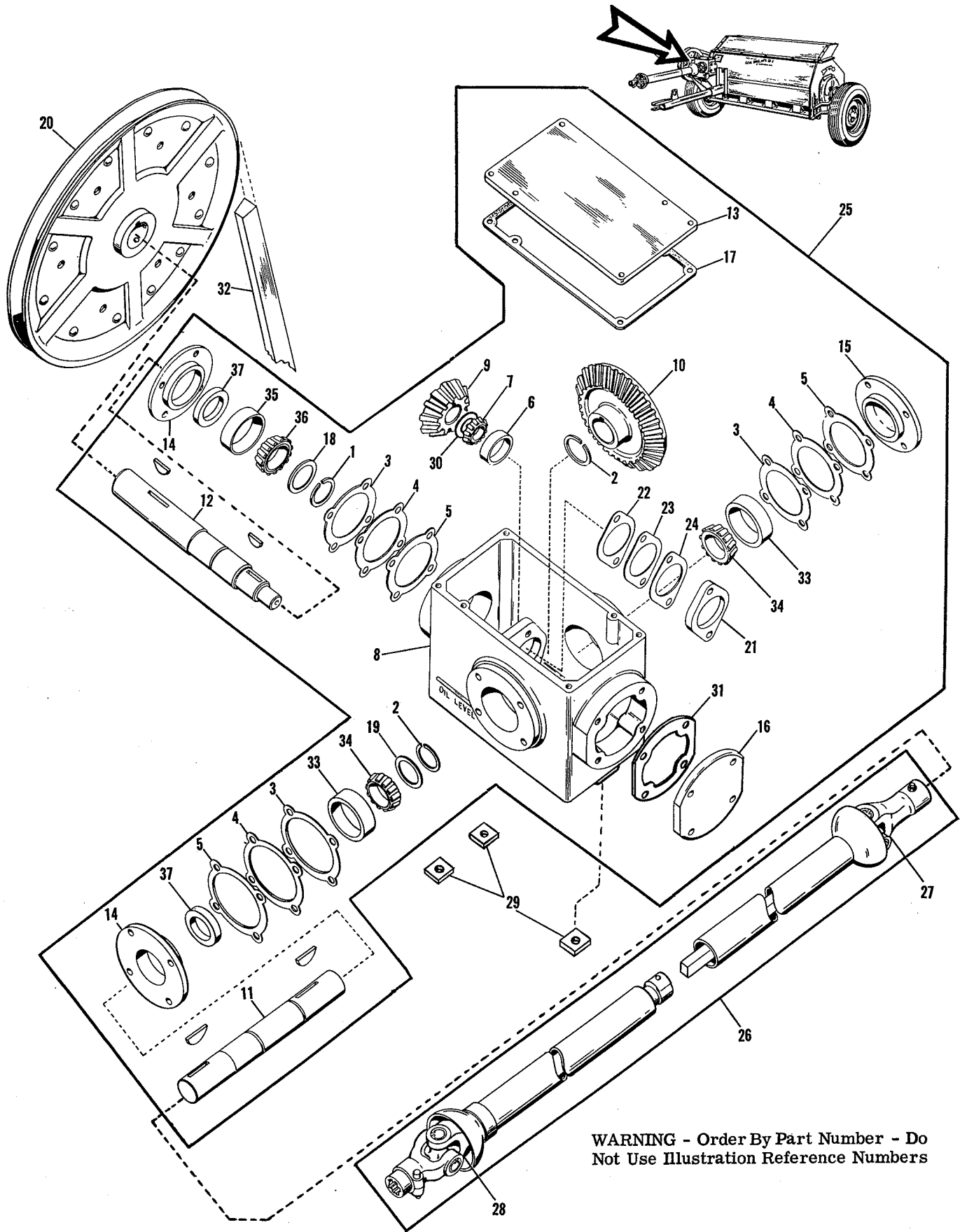
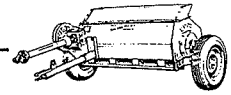
Grease all points at 2-hour intervals the first two days of operation, twice each day thereafter. Entire unit should be greased at least once every eight hours during continuous operation.

REMEMBER: Too much oil and grease will do no harm, but not enough might ruin it.

Check Wheel Bearings periodically. Repack when necessary.

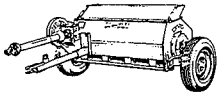
The Transmission Gears controlling the Cylinder are enclosed in a grease tight Housing. Capacity is one quart of regular black gear lube, S.A.E. No. 140. Check lube level periodically. Do not exceed one quart requirements.

TRANSMISSION AND P.T.O. DRIVE



WARNING - Order By Part Number - Do Not Use Illustration Reference Numbers

ALWAYS GIVE MODEL AND SERIAL NUMBER WHEN ORDERING SERVICE PARTS

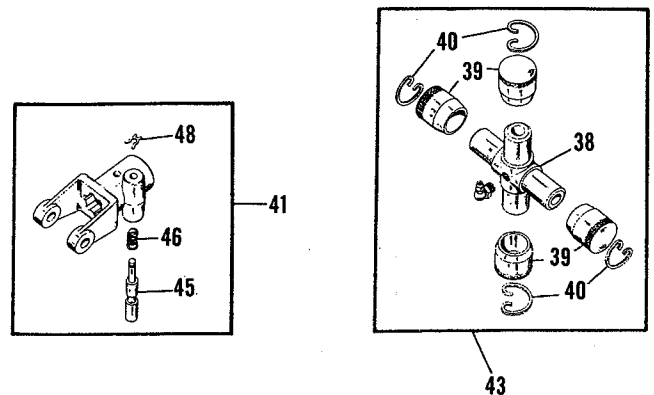
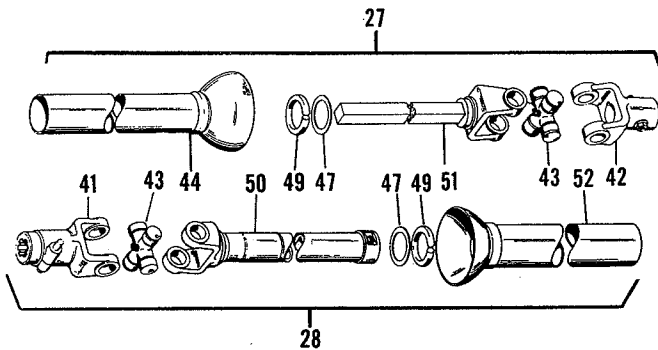


TRANSMISSION AND P.T.O. DRIVE

Ref. No.	Part No.	Part Name	No. Req.	Ref. No.	Part No.	Part Name	No. Req.
1	540016	Retaining Ring (XS0250)	1	18	R13009	Bearing Spacer	1
2	540017	Retaining Ring (XS0252)	2	19	R13009A	Bearing Spacer	1
3	H7671A	Trans. Bearing Shim .005	9	20	R13010A	Cylinder Drive Sheave	1
4	H7672A	Trans. Bearing Shim .0075	9			Sq. Hd. Set Screw 3/8 x 1-1/4	1
5	H7673A	Trans. Bearing Shim .020	3	21	R13059	Bearing Retainer	1
6	520021	Bearing Cup (LM11910)	1	22	R13082	Bearing Shim .005	1
7	520022	Bearing Cone (LM11949)	1	23	R13083	Bearing Shim .0075	1
8	R13000A	Transmission Housing	1	24	R13084	Bearing Shim .020	1
		Cotter Pin 3/32 x 3/4	1	25	R13100A	Transmission Assembled	1
9	R13001A	Trans. Driven Gear	1	26	R13102	Universal Drive Assembled	1
10	R13002	Trans. Drive Gear	1	27	R13103	Universal Joint w/Sq. Shaft	1
11	R13003A	Transmission Drive Shaft,				Soc. Hd. Set Screw 3/8 x 1/2	1
		1-7/16 x 9-3/8	1			Soc. Hd. Set Screw 3/8 x 1	1
	R13241	Woodruff Key 5/16 x 1-1/4	2			Hex Jam Nut 3/8	1
		Woodruff Key 3/8 x 1-1/4	1	28	R13104	Universal Joint w/Sq. Tube	1
12	R13004A	Transmission Driven Shaft,		29	R13111	Transmission Washer	3
		1-7/16 x 10-1/8	1	30	R13112	Bearing Spacer	1
		Woodruff Key 1/4 x 1	1	31	R13113	Cap Gasket	1
		Woodruff Key 5/16 x 1-1/4	1	32	R13115A	Cylinder Drive Belt	1
13	R13005	Housing Cover	1	33	520025	Bearing Cup (13621)	2
14	R13006	Transmission Bearing	2	34	520026	Bearing Cone (13682)	2
15	R13007A	Transmission Bearing Cap	1	35	520046	Bearing Cup (LM48510)	1
16	R13007C	Transmission Cap	1	36	520047	Bearing Cone (LM48548)	1
17	R13008	Cover Gasket	1	37	530003	Oil Seal (50171)	2

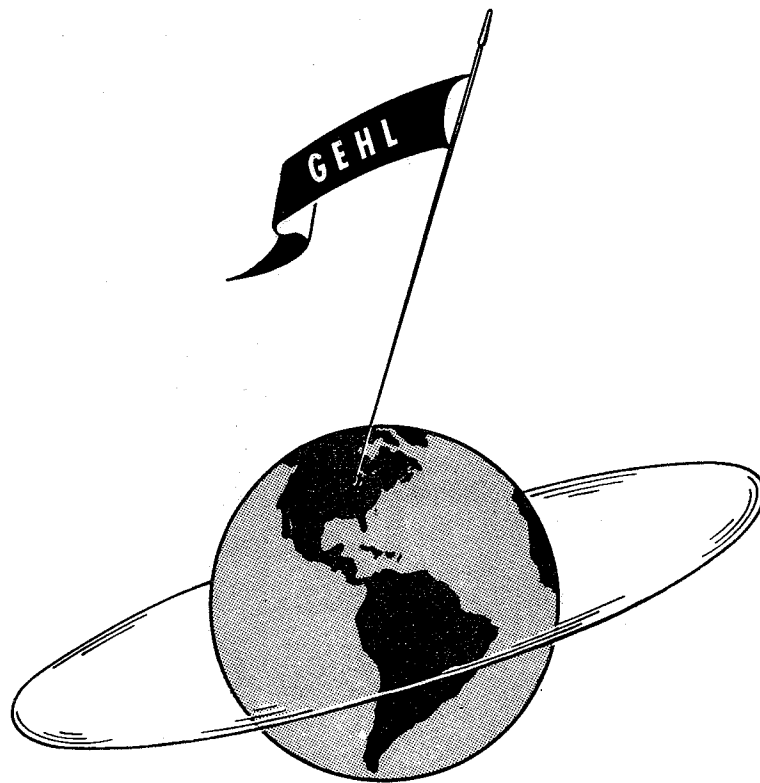
UNIVERSAL JOINT REPLACEMENT PARTS

Ref. No.	Part No.	Part Name	No. Req.	Ref. No.	Part No.	Part Name	No. Req.
38	510002	Center Cross (35N1)	1	45	510051	Locking Pin w/Washer (G5730MA)	1
39	510003	Bushing w/Needles (35N4-2A)	4	46	510052	Locking Pin Spring (G5732M)	1
40	510022	Lock Ring (3N20)	4	47	510057	Bearing Retainer (G8677S)	2
41	510027	Yoke - 1-3/8 Spline L16SYS22-3A)	1	48	510058	"X" Washer (G8800M)	1
42	510033	Yoke (L16SYR23-13)	1	49	510061	Shield Bearing (G9489M)	2
		Soc. Hd. Set Screw 3/8 x 1/2	1	50	510067	Weld Yoke w/tube (92251-16599)	1
		Soc. Hd. Set Screw 3/8 x 1	1	51	510071	Weld Yoke w/Sq. Shaft (92252-16599)	1
		Hex. Jam Nut 3/8	1	52	510188	Outside Shield w/Bell (TUA-R50-1-25-1/2)	1
43	510036	Joint Replacement Kit (CP35N-3)	1				
44	510041	Inside Shield w/Bell (TUA-R46-13-24-1/2)	1				



ALWAYS GIVE MODEL AND SERIAL NUMBER WHEN ORDERING SERVICE PARTS

Sales and Service throughout the World



GEHL BROS. MANUFACTURING CO.

WEST BEND WISCONSIN U.S.A.

AMERICA'S LEADING LINE OF FORAGE HARVESTING,
HANDLING, AND FEED MAKING EQUIPMENT