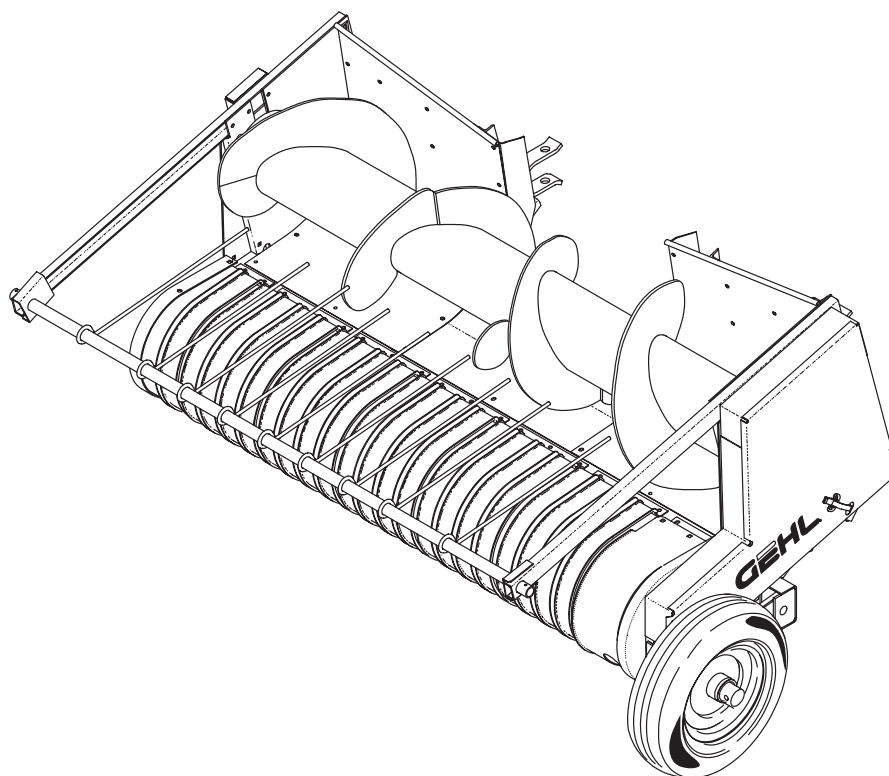


Form No.  
907551  
Replaces  
903948

# HA1110

## Hay Attachment



## PARTS MANUAL

**GEHL®** AGRICULTURE

## Introduction

When ordering service parts, specify the correct part number, full description, quantity required, the unit model number and serial number.

The model number and serial number for this unit are on a decal located on the Main Frame below the right Quick-switch Yoke and next to the Attachment Stand. “Right” and “Left” are determined from a position standing behind the unit and facing toward the direction of travel. From this position the Drive Chains are on the “Left” side.

GEHL® Company reserves the right to make changes or improvements in the design or construction of any part of the unit without incurring the obligation to install such changes on any previously delivered units.

**NOTE:** *On original tire replacement, company policy prohibits the sale of replacement tires for all GEHL machinery. Replacement Wheel Sets are available and tire size information is called out with the Wheel Sets to facilitate replacement tire selection. ALL REPLACEMENT TIRES MUST BE PURCHASED LOCALLY.*

Refer to the abbreviations table located on this page for the various fastener descriptions. Standard attaching hardware torque values are also provided on the inside back cover.

In the exploded view parts list, Reference Numbers may have additional information following the Reference Number.

A Tear Drop symbol will indicate an application of a “wet” product such as oil, and the number inside the Tear Drop will correspond to the description in the Parts List.

Also, a number inside a hexagon will be the torque value required, in foot pounds, on the associated Reference Number. Items shown in the parts list that do not have Reference Numbers are shown for reference purposes only and are NOT available for purchase.

Unless otherwise specified, all Cap Screws or Bolts are Grade 5, cadmium or zinc plated; Hexagon Nuts for Grade 5 Screws or Bolts are Grade B; Hexagon Nuts for other Screws or Bolts are Grade A.

**NOTE:** *The following abbreviations may be used herein:*

AR	– As Required
ASSD	– Assembled
ASSY	– Assembly
CB	– Carriage Bolt
CCW	– Counterclockwise
CP	– Cotter Pin
CS	– Cap Screw (Hexagon Head)
CTR	– Center
CW	– Clockwise
DEG	– Degree
DIA	– Diameter
FCS	– Flanged Cap Screw
FHMS	– Flat Head Machine Screw
FL	– Flanged
FLN	– Flanged Lock Nut (Hexagon)
FLS	– Flanged Lock Screw (Hexagon)
FW	– Flat Washer
GA	– Gauge
GR	– Grade
HD	– Hard or Head
HN	– Hex Nut
INCL	– Includes
JT	– Joint
LG	– Large
LH	– Left Hand
LN	– Lock Nut
LW	– Lock Washer
M	– Metric
MM/mm	– Millimeter
NF	– National Fine
PB	– Plow Bolt
PTO	– Power Take Off
RH	– Right Hand
RHMS	– Round Head Machine Screw
RPM	– Revolutions Per Minute
RT	– Right
SERR	– Serrated
SHCS	– Socket Head Cap Screw
SHSS	– Socket Head Set Screw
SN	– Serial Number or Slotted Nut
SQ	– Square
T	– Tooth or Teeth
TFS	– Thread Forming Screw
THMS	– Truss Head Machine Screw
THRD	– Thread
WLDMT	– Weldment
#	– Number
	– Torque Required in foot pounds
	– Indicates a Fluid Application

# TABLE OF CONTENTS

Introduction .....	Inside Front Cover
Table of Contents .....	1
Decal Locations .....	2-3
Main Frame .....	4-5
Pickup .....	6-9
Auger .....	10-11
Drives .....	12-13
Holddown & Shields .....	14-15
Accessories .....	16-18
Tank Completing Parts .....	16
CB750/760 & CB860/865 .....	16
CB1060/1065 & CB1260 .....	18
Control Boxes .....	17 & 19
Solenoid Housing .....	17 & 19
Auger Cover Kit .....	20
Water Tank & Mounting Parts .....	20
Alphabetical Index .....	21
Numerical Index .....	22-23
Standard Hardware Torque specifications .....	Inside Back Cover

# DECAL LOCATIONS

## GENERAL INFORMATION

Decal Locations information is provided to assist in the proper selection and application of new decals, in the event the original decal(s) become(s) damaged or the machine is repainted. Refer to the listing for the illustration reference number, part number, description and quantity of each decal provided in the Kit. Refer to the appropriate illustration(s) for replacement location(s).

**NOTE:** Refer to the *SAFETY Chapter of the Operator's Manual for the specific information provided on all of the various Safety Decals furnished in the Decal Kit(s).*

To insure proper selection for correct replacement decal(s), compare all of the various close-up location photographs to your machine **BEFORE** starting to refinish the unit. Then, circle each pictured decal (applicable to your machine) while checking off its part number in the listing. After you have verified all the decals needed for replacement, set aside unneeded decals for disposal.

## NEW DECAL APPLICATION

Surfaces **MUST** be free from dirt, dust, grease and other foreign material before applying the new decal. To apply a solid-formed decal, remove the smaller portion of the decal backing paper and apply this part of the exposed adhesive backing to the clean surface while maintaining proper position and alignment. Slowly peel off the other portion of the backing paper while applying hand pressure to smooth out the decal surface.



## CAUTION

**ALWAYS** observe Safety Rules shown on Decals. If Decals become damaged, or if the unit is repainted, replace the Decals. If repainting, **BE SURE** that **ALL** Decals from the Kit(s) which apply to your machine, are affixed to your unit.

### PAINT NOTICE

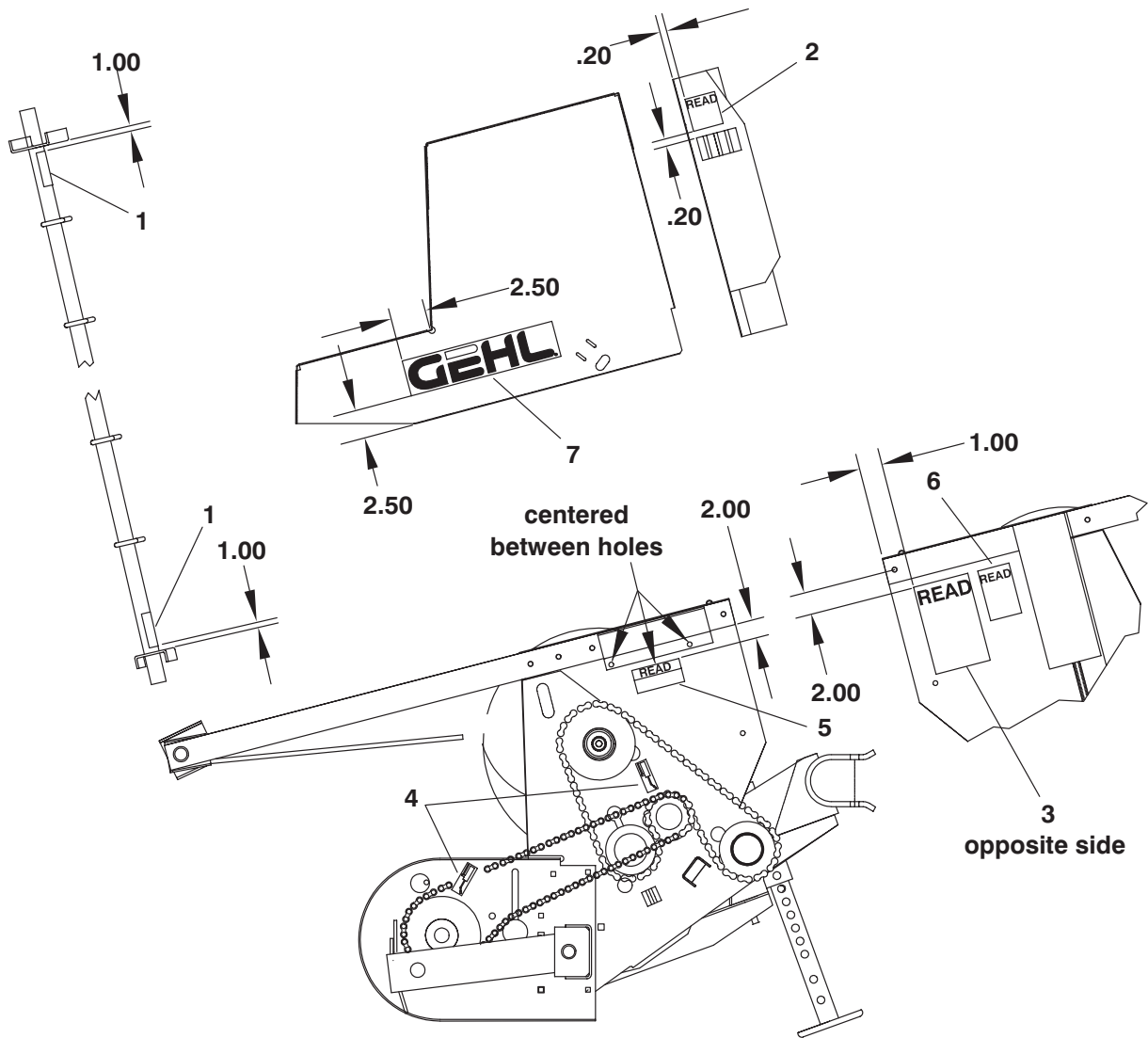
Use this list to order paint for refinishing:

906315	One Gal. AG Red
906324	One Qt. Light Grey
906316	6 (12 oz. Spray Cans) AG Red
906325	6 (12 oz. Spray Cans) Light Grey

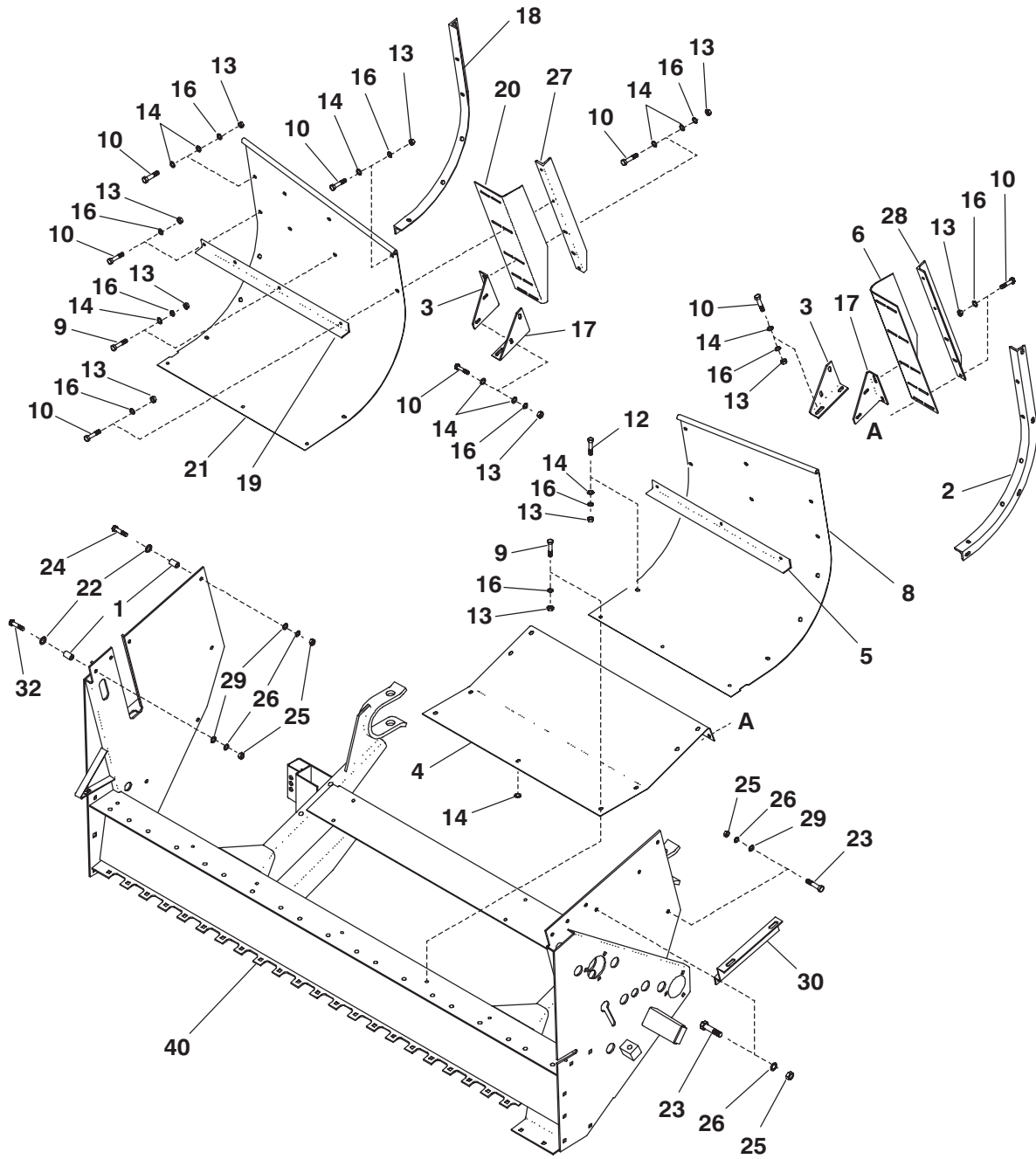
The Decal Set Number for the HA1110 is 093511. The Set includes the following:

Ref. No.	Part No.	Description & Quantity
1.	078085	Holddown Tines (2 Places)
2.	079627	Shear Bolt
3.	091442	DANGER – Rotating Auger
4.	093020	Lubrication Symbol (2 Places)
5.	093365	WARNING – Close or Replace Guard
6.	093445	DANGER – Do NOT Hand Feed
7.	126345	GEHL

**NOTE:** An old style GEHL logo (061203) is available for the Water Tank.

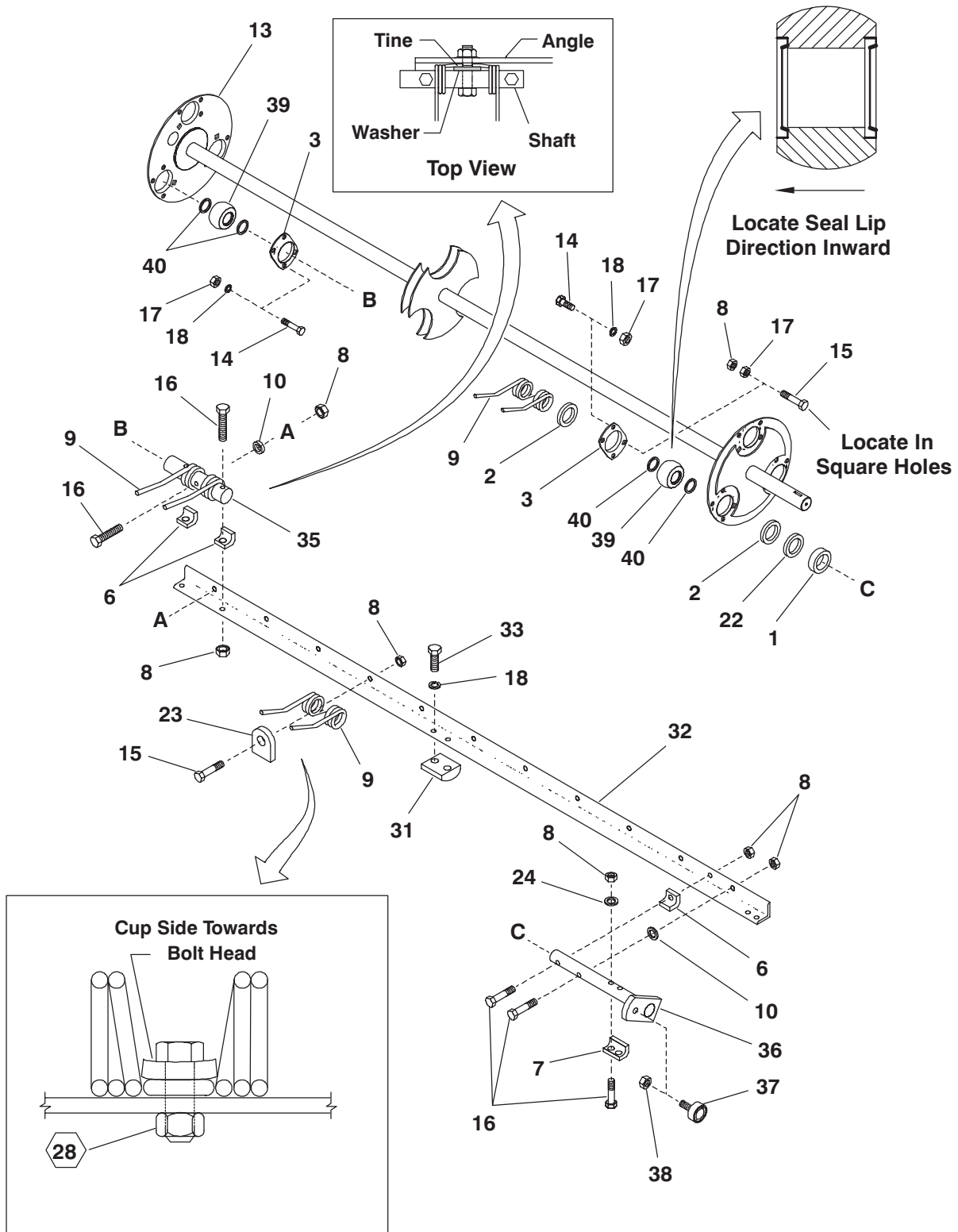


# HA1110 - MAIN FRAME



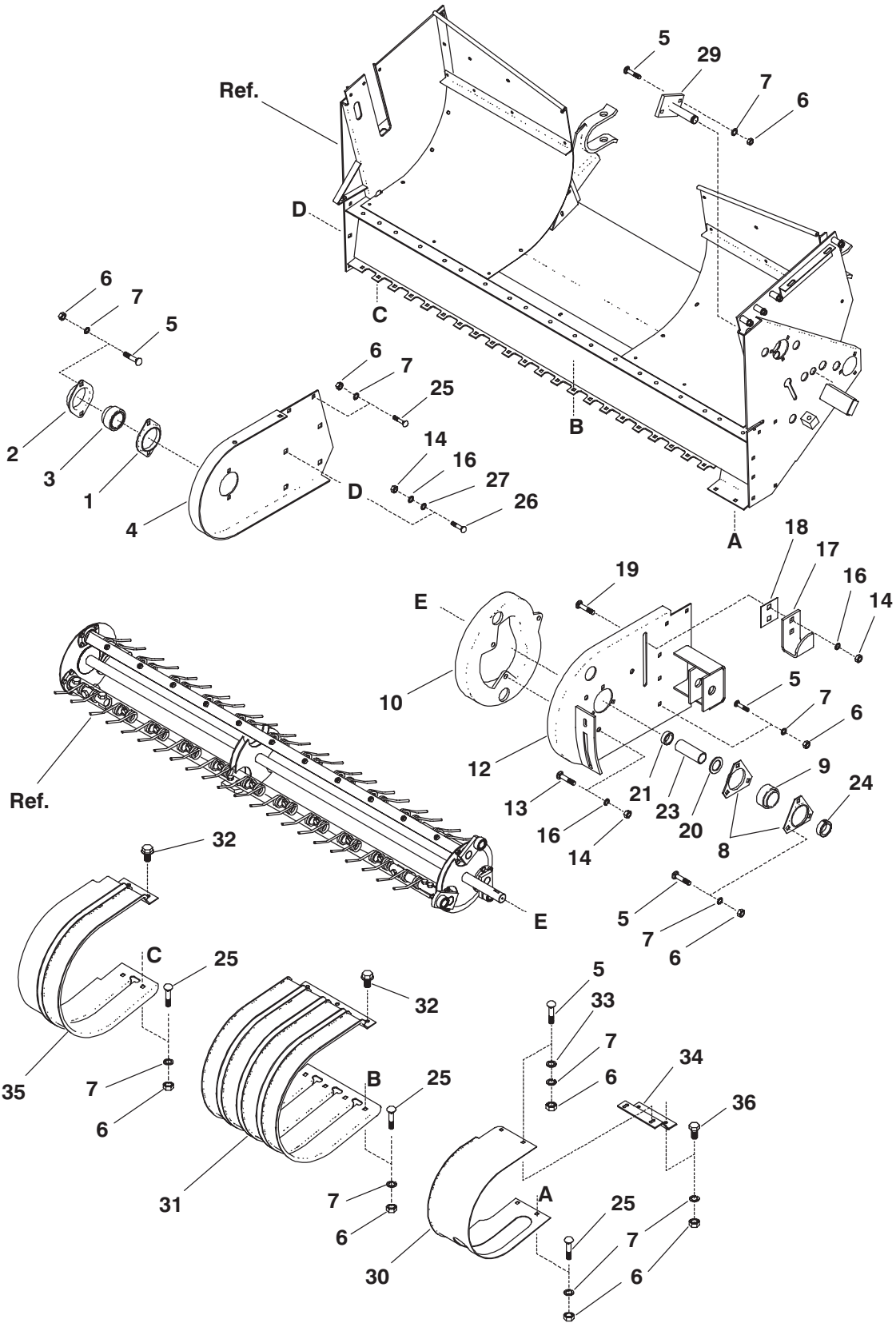
## HA1110 - MAIN FRAME

Ref. No.	Part No.	Description	Qty. Req.	Ref. No.	Part No.	Description	Qty. Req.
01	079570	SPACER/ROLLER .....	8	19	073770	STRIPPER/AUGER RT .....	1
02	079545	SUPPORT/AUGER TROUGH LT .....	1	20	079537	ANGLE/THROAT RT .....	1
03	080973	PLATE/CORNER RT .....	2	21	079590	TROUGH/AUGER RT .....	1
04	079540	TROUGH/AUGER CENTER .....	1	22	055097	FW 13/32 .....	9
05	073771	STRIPPER/AUGER LT .....	1	23	650490	CS 3/8X1 .....	8
06	079538	ANGLE/THROAT LT .....	1	24	650535	CS 3/8X2-1/4 .....	2
08	079591	TROUGH/AUGER LT .....	1	25	653010	HN 3/8 .....	16
09	650486	CS 5/16X3/4 .....	10	26	654026	LW 3/8 .....	16
10	650487	CS 5/16X1 .....	28	27	079563	REINF/THROAT RT .....	1
12	650949	THMS 5/16X3/4 .....	2	28	079562	REINF/THROAT LT .....	1
13	653007	HN 5/16 .....	39	29	654006	FW 3/8 .....	14
14	654004	FW 5/16 .....	43	30	079543	BRACKET/GUARD LT .....	1
16	654024	LW 5/16 .....	39	32	650528	CS 3/8X2 .....	6
17	080972	PLATE/CORNER LT .....	2	40	079488	FRAME/MAIN ASSY .....	1
18	079544	SUPPORT/AUGER TROUGH RT .....	1				



# HA1110 - PICKUP

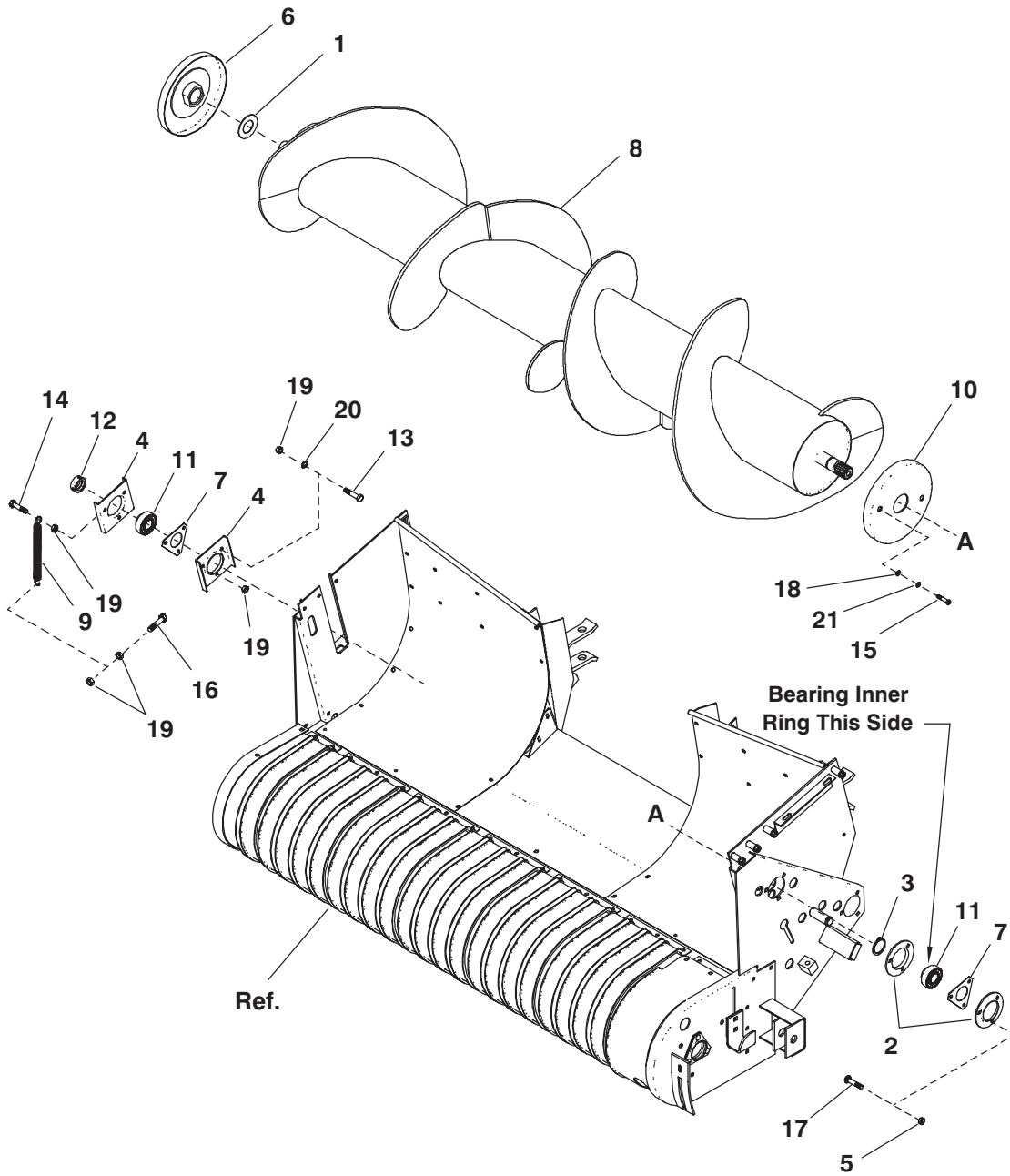
Ref. No.	Part No.	Description	Qty. Req.	Ref. No.	Part No.	Description	Qty. Req.
01	7H37	SPACER .....	3	18	654026	LW 3/8 .....	23
02	128015	FW 1-1/32 .....	6	22	H7126	FW 1-1/32 .....	3
03	H7125	RETAINER/BEARING .....	6	23	112645	CLIP/TINE .....	27
06	071048	SPACER/TINE BAR .....	5	24	654004	FW 5/16 .....	6
07	071049	SPACER/TINE BAR .....	3	31	059897	BEARING/TINE HOLDER .....	1
08	071703	LN 3/8 .....	45	32	070964	HOLDER/TINE .....	1
09	071787	TINE/PICKUP .....	31	33	650490	CS 3/8X1 .....	2
10	071788	FW 13/32 .....	4	35	059895	SHAFT/TINE HOLDER RT .....	1
13	070958	SHAFT/PICKUP .....	1	36	069587	ARM/CAM .....	3
14	650488	CS 3/8X3/4 .....	21	37	059890	FOLLOWER/CAM .....	3
15	650491	CS 3/8X1-1/4 .....	30	38	081372	LN 1/2 .....	3
16	650528	CS 3/8X2 .....	15	39	056249	BEARING/SINTERED .....	2
17	653010	HN 3/8 .....	24	40	041881	SEAL/OIL .....	4



# HA1110 - PICKUP

Ref. No.	Part No.	Description	Qty. Req.	Ref. No.	Part No.	Description	Qty. Req.
01	H487	RETAINER/BEARING .....	1	19	650527	CB 1/2X1-1/4 .....	2
02	053657	RETAINER/BEARING .....	1	20	H7165	FW 1-17/64 .....	AR
03	076766	BEARING/BALL .....	1	21	059876	SPACER .....	1
04	079541	SHEET/SIDE RIGHT .....	1	23	070868	SPACER .....	1
05	650704	CB 3/8X1 .....	15	24	520085	COLLAR/BEARING .....	1
06	653010	HN 3/8 .....	44	25	650790	CB 3/8X3/4 .....	27
07	654026	LW 3/8 .....	44	26	650834	CB 1/2X1-1/2 .....	4
08	027003	RETAINER/BEARING .....	2	27	654009	FW 1/2 .....	4
09	060442	BEARING/BALL .....	1	29	079580	SHAFT/STUB ASSY .....	1
10	069531	CAM/PICKUP .....	1	30	070019	GUIDE/SPRING LT .....	1
12	079585	SHEET/SIDE ASSY LT .....	1	31	112424	GUIDE/FOUR CHANNEL SPRING .....	5
13	650495	CS 1/2X1-1/4 .....	3	32	072330	SCREW/SELF TAPPING 3/8X1 .....	17
14	653018	HN 1/2 .....	9	33	654006	FW 3/8 .....	2
16	654030	LW 1/2 .....	9	34	069596	BRACKET/LEFT TINE GUIDE .....	1
17	070970	BRACKET/CHAIN IDLER .....	1	35	070021	GUIDE/2-CHANNEL SPRING RT .....	1
18	079568	SHIM/IDLER .....	AR	36	650488	CS 3/8X3/4 .....	2

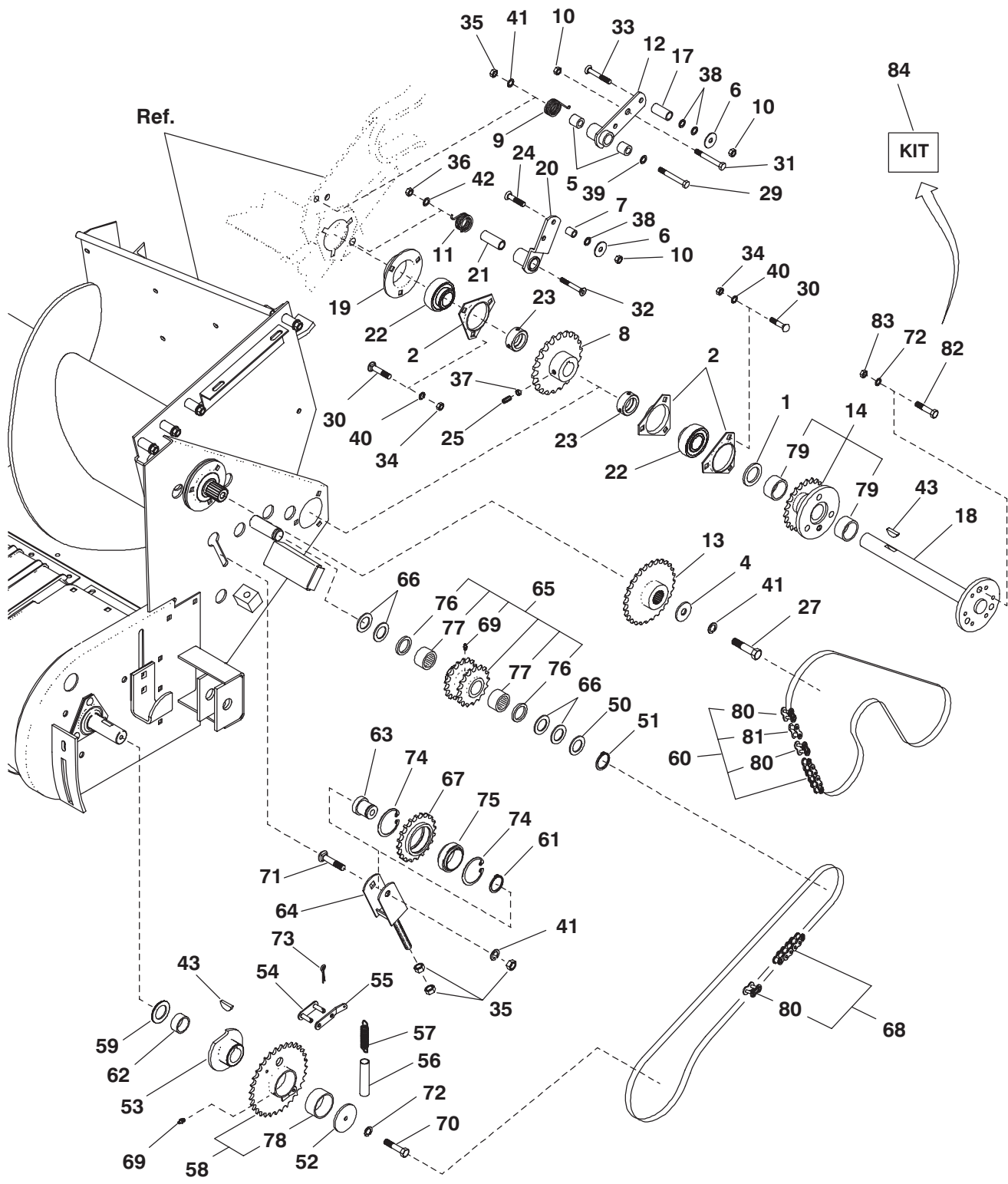
# HA1110 - AUGER



# HA1110 - AUGER

Ref. No.	Part No.	Description	Qty. Req.	Ref. No.	Part No.	Description	Qty. Req.
01	B11162B	FW1-17/64 .....	1	12	520085	COLLAR/BEARING .....	1
02	H195A	RETAINER/BEARING .....	2	13	650490	CS 3/8X1 .....	2
03	051948	RING/RETAINING .....	1	14	650491	CS 3/8X1-1/4 .....	1
04	070023	SLIDE/BEARING RETAINER .....	2	15	650494	CS 1/2X1 .....	2
05	071703	LN 3/8 .....	3	16	650533	CS 3/8X1-1/2 .....	1
06	072050	RING/GRASS ASSY .....	1	17	650790	CB 3/8X3/4 .....	3
07	074803	SHIM/FLANGETTE .....	5	18	651148	FW 1/2 .....	2
08	079520	AUGER/ASSY .....	1	19	653010	HN 3/8 .....	6
09	079530	SPRING/EXTENSION .....	1	20	654026	LW 3/8 .....	2
10	079578	RING/GRASS ASSY .....	1	21	654030	LW 1/2 .....	2
11	520065	BEARING/BALL .....	2				

# HA1110 - DRIVES

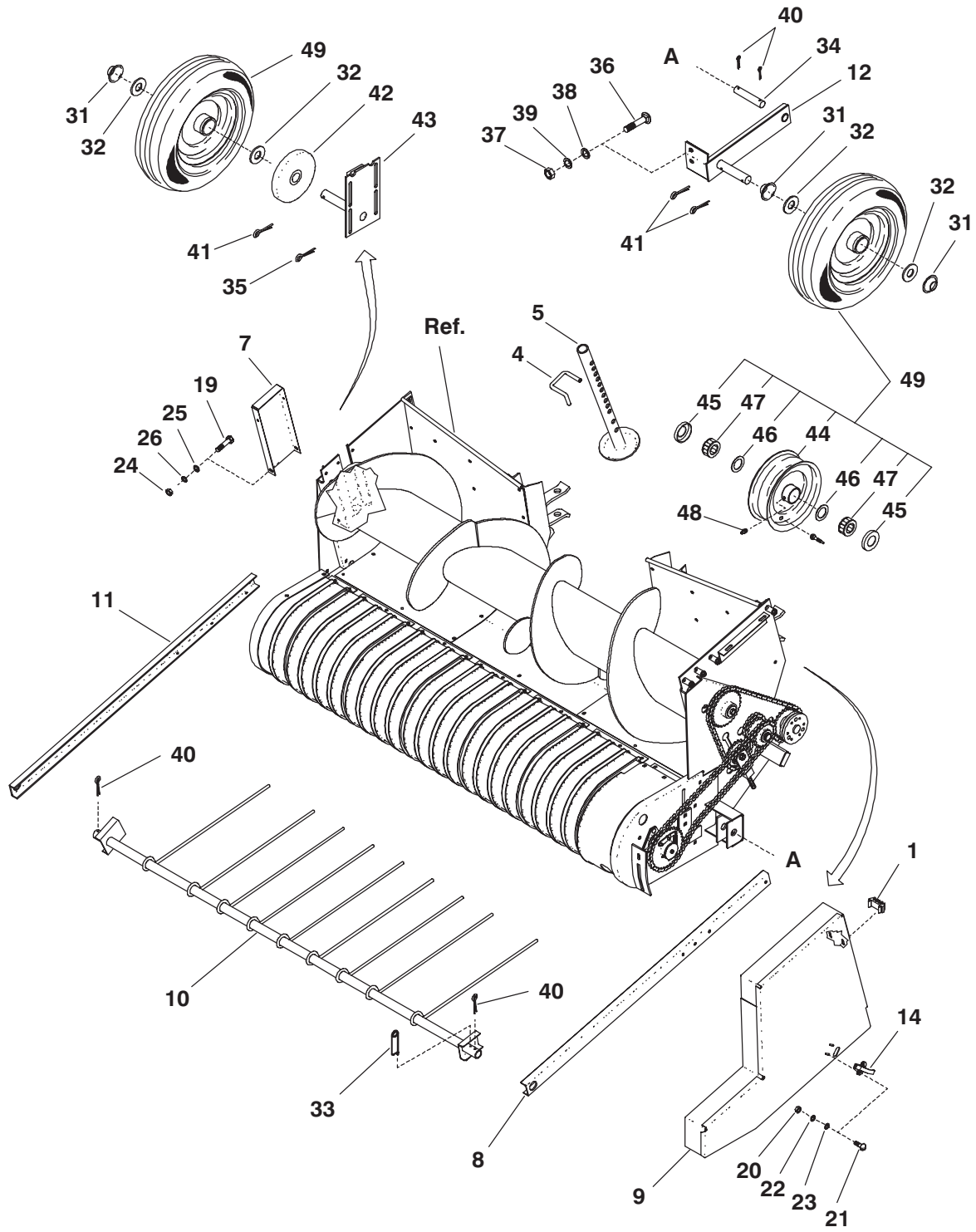


# HA1110 - DRIVES

Ref. No.	Part No.	Description	Qty. Req.	Ref. No.	Part No.	Description	Qty. Req.
01	B11162B	FW 1-17/64	AR	43	655533	KEY/WOODRUFF 5/16X1	2
02	027003	RETAINER/BEARING	3	50	H7126	FW 1-1/32	2
04	055447	FW 17/32	1	51	045026	RING/RETAINING	1
05	062738	BEARING/FEED ROLL SLEEVE	2	52	059886	FW 11/32	1
06	063590	FW 13/32	2	53	067944	PLATE/CLUTCH	1
07	066369	BUSHING/GATE LOCK ARM	1	54	067946	LINK/CLUTCH	1
08	070987	SPROCKET/22T	1	55	067949	BRACKET/SPRING TENSION	1
09	071325	SPRING/TORSION	1	56	068984	HOSE/CLEAR PLASTIC	1
10	071703	LN 3/8	3	57	069090	SPRING/EXTENSION	1
11	077794	SPRING/TORSION	1	58	070966	SPROCKET/ASSY	1
12	077930	ARM/INPUT ASSY	1	59	073281	FW 1.27	1
13	079528	SPROCKET/28T	1	60	074879	CHAIN/ROLLER #50X90 LINKS	1
14	079532	SPROCKET/22T	1	61	076996	RING/RETAINING	1
17	079577	SPACER/TUBE	1	62	078266	SPACER	1
18	079582	FLANGE/SHEAR ASSY	1	63	079564	JOURNAL/IDLER	1
19	080418	FLANGETTE	1	64	079565	YOKE/ASSY	1
20	080515	ARM/ASSY LOWER	1	65	079574	SPROCKET/DOUBLE ASSY	1
21	080976	JOURNAL	1	66	128015	FW 1-1/32	2
22	520065	BEARING/BALL	2	67	079571	SPROCKET ASSY	1
23	520085	COLLAR/BEARING	2	68	500091	CHAIN/ROLLER #50X96 LINKS	1
24	650328	FHSC 3/8X1-3/4	2	69	570019	FITTING/GREASE	1
25	650422	SHSS 3/8	1	70	650486	CS 5/16X3/4	1
27	650494	CS 1/2X1	1	71	652155	CB 1/2X2-3/4	1
29	650644	CS 1/2X3	1	72	654024	LW 5/16	1
30	650704	CB 3/8X1	6	73	655001	CP 1/16X3/4	2
31	650731	CS 3/8X3-1/2	1	74	053859	RING/RETAINING	2
32	651077	FHSC 5/8	1	75	069486	BEARING/BALL	1
33	651078	FHSC 3/8	1	76	070865	SEAL/OIL	2
34	653010	HN 3/8	6	77	520132	BEARING/NEEDLE	2
35	653018	HN 1/2	4	78	059882	BUSHING/BRONZE	1
36	653021	HN 5/8	1	79	079536	BUSHING/BRONZE	2
37	653038	JN	1	80	500057	LINK/CONNECTOR	3
38	654006	FW 3/8	3	81	500056	LINK/ROLLER	1
39	654009	FW 1/2	1	82	NS <sub>a</sub>	CS 5/16X1-1/4	1
40	654026	LW 3/8	6	84	900013	KIT/SHEAR BOLT (8 PACK)	1
41	654030	LW 1/2	3				
42	654032	LW 5/8	1				

a) Not available individually. Order Item 84 (8-Pack Shear Bolt Kit), which also includes 8 Lock Nuts.

# HA1110 - HOLD-DOWN & SHIELDS

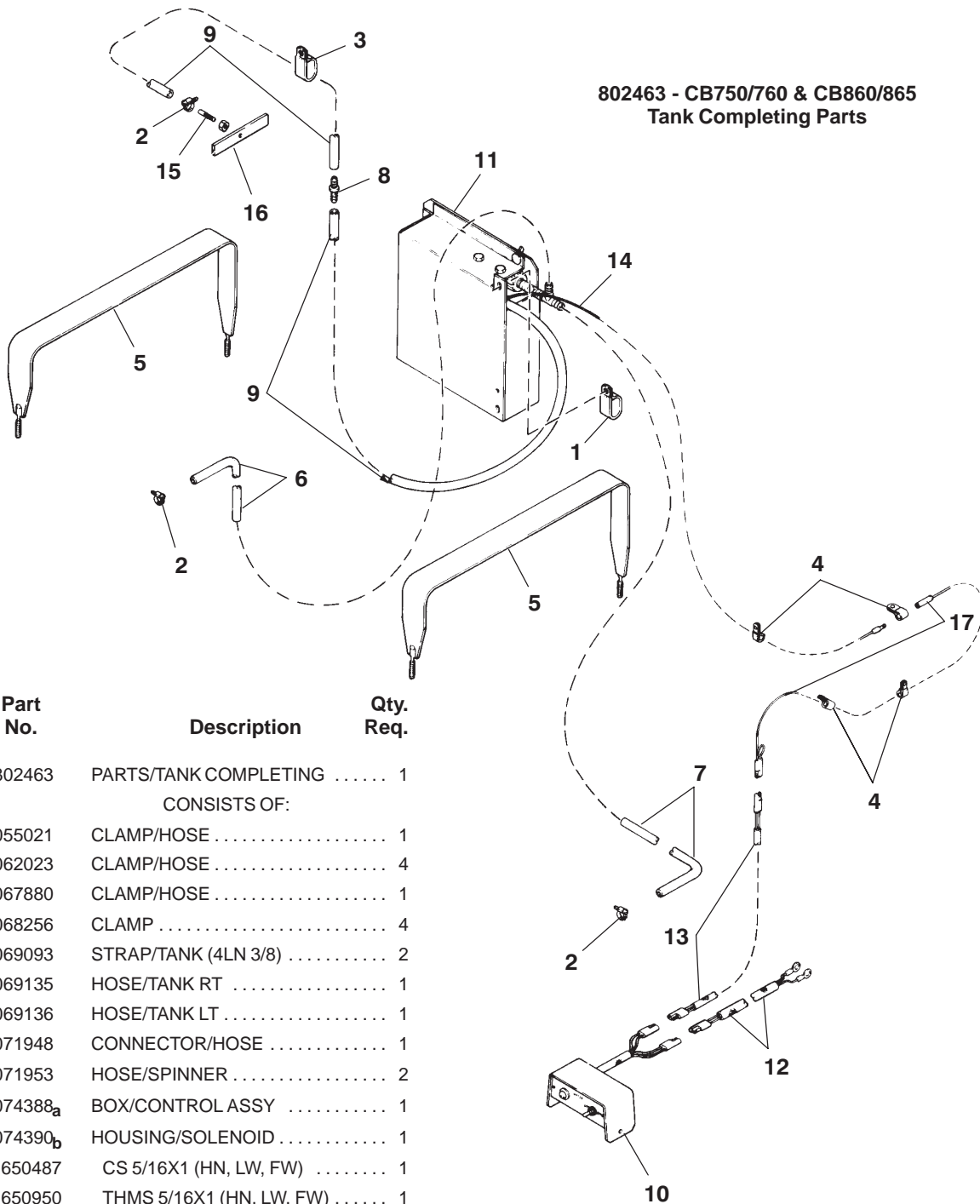


## HA1110 - HOLD-DOWN & SHIELDS

Ref. No.	Part No.	Description	Qty. Req.	Ref. No.	Part No.	Description	Qty. Req.
01	059272	HOLDER/SHEAR BOLT .....	1	32	072297	WASHER/THRUST .....	4
04	072849	PIN/STAND .....	1	33	077147	CLIP/SAFETY PIN .....	1
05	075058	STAND/ASSY .....	1	34	077510	PIN/CYLINDER .....	1
07	079539	GUARD/RIGHT .....	1	35	650640	CP 1/4X2-1/2 .....	1
08	079542	CHANNEL/HOLDDOWN LT .....	1	36	650834	CB 1/2X1-1/2 .....	2
09	079548	GUARD/ASSY LT .....	1	37	653018	HN 1/2 .....	2
10	079557	HOLDDOWN/ASSY .....	1	38	654009	FW 1/2 .....	2
11	079561	CHANNEL/HOLDDOWN RT .....	1	39	654030	LW 1/2 .....	2
12	079593	ARM/WHEEL PIVOT ASSY .....	1	40	655022	CP 3/16X1-3/4 .....	4
14	079878	LATCH .....	1	41	655030	CP 1/4X2 .....	3
19	650487	CS 5/16X1 .....	2	42	071881	SHIELD/ANTI-WRAP ASSY .....	1
20	650627	HN MS #1224 .....	2	43	079553	AXLE/ASSY RT .....	1
21	650812	RHMS #1224 .....	2	44	113332	WHEEL/8X2.5 .....	2
22	650813	LW #12 .....	2	45	550047	CAP/END .....	4
23	650854	FW #12 .....	2	46	550048	WASHER/STOP .....	4
24	653007	HN 5/16 .....	2	47	550049	BEARING/ROLLER .....	4
25	654004	FW 5/16 .....	2	48	570011	FITTING/GREASE .....	2
26	654024	LW 5/16 .....	2	49	113331	WHEEL/W/TIRE ASSY .....	2
31	D9151	WASHER/AXLE .....	3				

# HA1110 - ACCESSORIES

## 802463 - CB750/760 & CB860/865 Tank Completing Parts



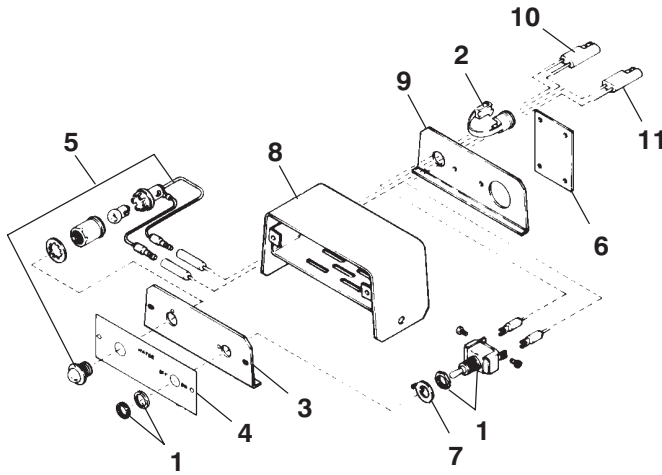
Ref. No.	Part No.	Description	Qty. Req.
	802463	PARTS/TANK COMPLETING	1
		CONSISTS OF:	
01	055021	CLAMP/HOSE	1
02	062023	CLAMP/HOSE	4
03	067880	CLAMP/HOSE	1
04	068256	CLAMP	4
05	069093	STRAP/TANK (4LN 3/8)	2
06	069135	HOSE/TANK RT	1
07	069136	HOSE/TANK LT	1
08	071948	CONNECTOR/HOSE	1
09	071953	HOSE/SPINNER	2
10	074388 <sup>a</sup>	BOX/CONTROL ASSY	1
11	074390 <sup>b</sup>	HOUSING/SOLENOID	1
	650487	CS 5/16X1 (HN, LW, FW)	1
	650950	THMS 5/16X1 (HN, LW, FW)	1
12	074391	HARNESS/POWER SUPPLY	1
13	074392	EXTENSION/WIRING HARNESS	1
14	074394	WIRE/SOLENOID	1
15	074838	NOZZLE (JN 3/8)	1
16	074839 <sup>c</sup>	STRIP/NOZZLE	1
17	074840	HARNESS/IMPLEMENT WIRING	1

a) See Breakdown Page.

b) Non-serviceable Part. See Breakdown Page.

c) Not used on CB860 or CB865.

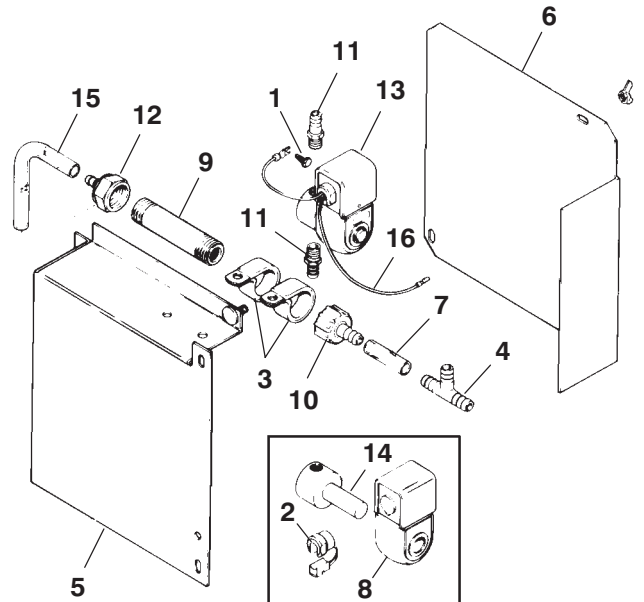
## 074388 Control Box



Ref. No.	Part No.	Description	Qty. Req.
	074388	BOX/.CONTROL ASSMD	1
		CONSISTS OF:	
01	055924	SWITCH/TOGGLE	1
02	057781	BUSHING/5K-4	1
03	059059	PLATE/SWITCH CAP	1
	650702	RHMS #6X3/8	2
04	068975	DECAL/SWITCH BOX	1
05	069120	LAMP/SIGNAL (GE53X OR EQUIVALENT)	1
06	069122	PLATE/STACKING	1
	650293	RHMS #10X3/8	2
07	069126	WASHER/TAB	1
08	069255	BOX/DEFLECTOR ASSY	1
09	069257	PLATE/BACK	1
	650702	RHMS #6X3/8	2
10	074389	HARNES/CONTROL (PLUG WITH WHT/RED WIRES)	1
11	074696	HARNES/CONTROL (PLUG WITH WHT/WHT WIRES)	1

Ref. No.	Part No.	Description	Qty. Req.
	074390	HOUSING/SOLENOID ASSY	1
		CONSISTS OF:	
01	052048	FASTENER/SELF DRILLING	1
02	058368	BUSHING/7W-2	1
03	058805	CLAMP/COOLER	2
	650486	CS 5/16X3/4 (LW, FW)	2
04	069107	TEE/1/2 INCH HOSE I.D.	1
05	069108	HOUSING/SOLENOID	1
06	069110	COVER/HOUSING (2WN 5/16)	1
07	069111	HOSE/CONNECTOR	1
08	069115	COIL/SOLENOID	1
09	069369	STRAINER/ASSMD	1
10	069371	ADAPTOR/HOSE	1
11	071946	UNION/HYD FITTING	2
12	071947	3/8 ADAPTER/3/4 NPT	1
13	078000 <sub>ab</sub>	SOLENOID/ASSY	1
	651271	MS 8-32X3/8 (LW, FW)	2
14	071951	VALVE/SOLENOID	1
15	071954	HOSE/CONNECTING	1
16	078001	WIRE/ELECTRIC	1

## 074390 Solenoid & Housing

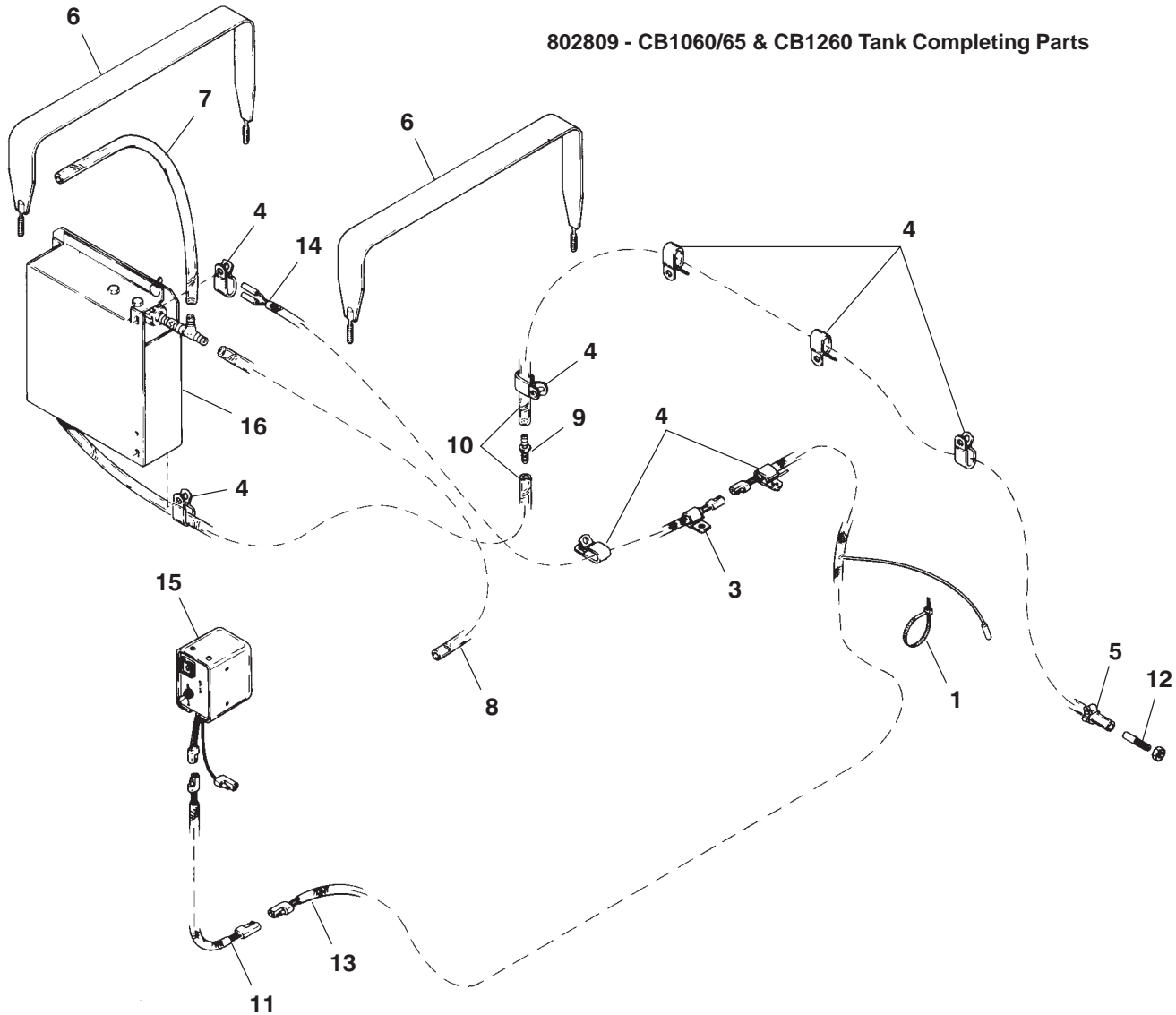


a) Includes Items 2, 8 & 14

b) For repair, order 071957 Service Kit which includes Service Tool, Gasket, O-ring, Plunger & Spring.

# HA1110 - ACCESSORIES

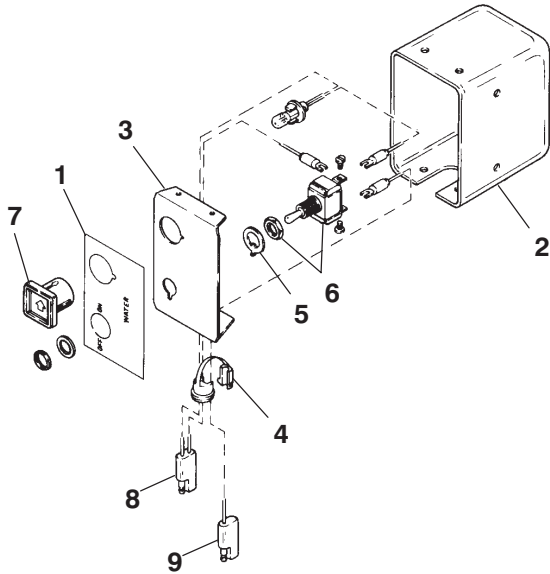
## 802809 - CB1060/65 & CB1260 Tank Completing Parts



Ref. No.	Part No.	Description	Qty. Req.	Ref. No.	Part No.	Description	Qty. Req.
	802809	PARTS/COMPLETING TANK	1	09	071948	CONNECTOR/HOSE	1
		CONSISTS OF:		10	071953	HOSE/SPINNER	2
01	055648	TIE/WIRE	3	11	074392	EXTENSION/WIRING HARNESS	1
03	058615	CLAMP/HOSE	1	12	074838	NOZZLE	1
	650510	TCS 5/16X1/2	1		653038	JN 3/8	1
04	059075	CLAMP/HOSE	8	13	078006	HARNESS/IMPLEMENT WATER	1
	650510	TCS 5/16X1/2	1	14	078007	HARNESS/WATER SOLENOID	1
05	062023	CLAMP/HOSE	1	15	078008 <sub>a</sub>	BOX/CONTROL	1
06	069093	STRAP/TANK	2		650548	RHMS#1024X1/2	2
	071703	LN 3/8	4	16	078014 <sub>a</sub>	HOUSING/SOLENOID	1
07	069135	HOSE/TANK RT	1		650487	CS 5/16X1 (HN, LW, 2FW)	3
08	069136	HOSE/TANK LT	1				

a) Non-serviceable Part. See Breakdown Page

078008 Control Box



Ref. No.	Part No.	Description	Qty. Req.
	078008	BOX/CONTROL ASSD .....	1
		CONSISTS OF:	
01	078009	DECAL/CONTROL BOX .....	1
02	078010	BOX/ELECTRIC CONTROL .....	1
03	078011	PANEL/CONTROL BOX .....	1
	650289	TFS #8X3/8 .....	4
04	057781	BUSHING/5K-4 .....	1
05	069126	WASHER/TAB .....	1
06	055924	SWITCH/TOGGLE .....	1
07	077477	LENS .....	1
08	078012	PLUG/WATER CONTROL POWER .....	1
09	078013 <sub>a</sub>	PLUG/WITH LIGHT .....	1

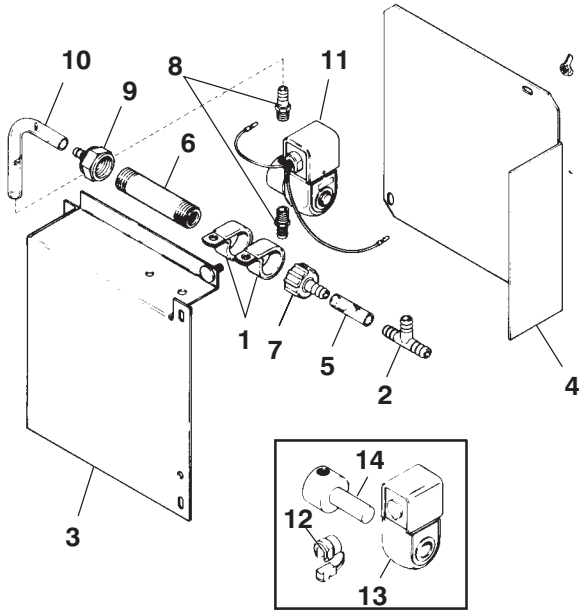
a) Use Bayonet Type 1891 12 Volt Bulb

Ref. No.	Part No.	Description	Qty. Req.
	078014	HOUSING/SOLENOID ASSY .....	1
		CONSISTS OF:	
01	058805	CLAMP/HOSE .....	2
	650486	CS 5/16X3/4 (HN, LW) .....	2
02	069107	TEE/1/2" HOSE I.D. ....	1
03	069108	HOUSING/SOLENOID .....	1
04	069110	COVER/HOUSING .....	1
	653094	5/16 WING NUT .....	2
05	069111	HOSE/CONNECTOR .....	1
06	069369	STRAINER/ASSY .....	1
07	069371	ADAPTER/HOSE .....	1
08	071946	UNION/HYD FITTING .....	2
09	071947	3/8 ADAPTER/3/4 NPT .....	1
10	071954	HOSE/CONNECTING .....	1
11	078000 <sub>ab</sub>	SOLENOID/ASSY .....	1
	650283	HMS #8-32X5/16 (LW) .....	2
12	070636	GROMMET .....	1
13	069115	COIL/SOLENOID .....	1
14	071951	VALVE/SOLENOID .....	1

a) Includes Items 12, 13 & 14

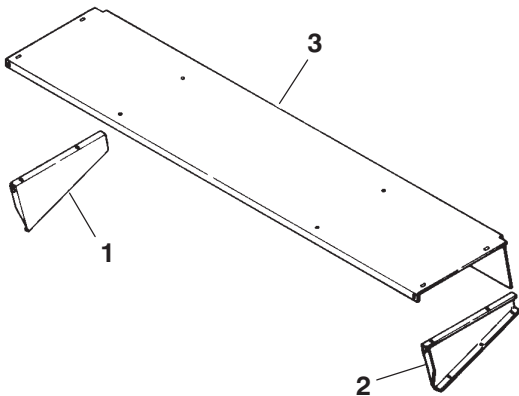
b) For repair, order 071957 Service Kit which includes Service Tool, Gasket, O-ring, Plunger & Spring.

078014 Solenoid Housing



# HA1110 - ACCESSORIES

## 802931 Auger Cover Kit

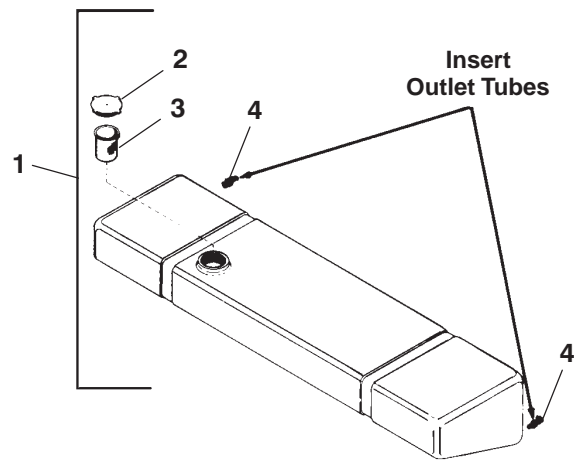


Ref. No.	Part No.	Description	Qty. Req.
	802931	COVER/AUGER KIT .....	1
		CONSISTS OF:	
01	079546	SHEET/TANK RT .....	1
	650486	CS 5/16X3/4 (HN, LW, FW) .....	6
02	079547	SHEET/TANK LT .....	1
	650486	CS 5/16X3/4 (HN, LW, FW) .....	6
03	074836	COVER/AUGER .....	1
	650486	CS 5/16X3/4 (HN, LW, FW) .....	3

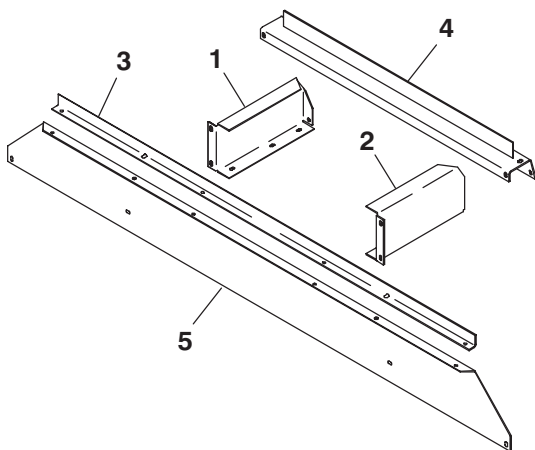
## 801888 Water Tank

Ref. No.	Part No.	Description	Qty. Req.
	801888	TANK/WATER .....	1
		CONSISTS OF:	
01	069138 <sub>a</sub>	TANK/WATER .....	1
02	069139	CAP/VENTED .....	1
03	069140	SCREEN/WATER TANK .....	1
04	071652	ADAPTER/MALE .....	2

a) Includes Items 2, 3 & 4



## 802112 Tank Mounting Parts



Ref. No.	Part No.	Description	Qty. Req.
	802112	TANK/WATER .....	1
		CONSISTS OF:	
01	069145	SUPPORT/TANK RT .....	1
	650486	CS 5/16X3/4 (HN, LW, FW) .....	4
02	069146	SUPPORT/TANK LT .....	1
	650486	CS 5/16X3/4 (HN, LW, FW) .....	4
03	069147	ANGLE/TANK .....	1
	650486	CS 5/16X3/4 (HN, LW) .....	4
04	071124	SUPPORT/TANK REAR .....	2
	650486	CS 5/16X3/4 (HN, LW, FW) .....	3
	650488	CS 3/8X3/4 (HN, LW, FW) .....	2
05	071127 <sub>a</sub>	SUPPORT/TANK FRONT .....	2
	650486	CS 5/16X3/4 (HN, LW, FW) .....	2

a) Old style logo (061203) used on earlier models

# Index

## A

### Accessories

Auger Cover Kit, 20

Control Boxes, 17, 19

Solenoid Housing, 19

Water Tank

    Completing Parts, 18

    Mounting Parts, 20

Auger, 10–11

    Drives, 12–13

## D

Decal Application, 2

Decal Locations, 2–3

## H

Hold-Down & Shields, 14–15

## M

Main Frame, 4–5

## P

Paint Notice, 2

Pickup, 6–9

## S

Solenoid & Housing, 17

## W

Water Tank, Completing Parts

    CB750/760, 860/865, 16

    CB1060/1065, 1260/1265, 18

# HA1110 - NUMERICAL INDEX

Part No.	Page No.	Ref. No.	Part No.	Page No.	Ref. No.	Part No.	Page No.	Ref. No.	Part No.	Page No.	Ref. No.
H6208	09	05	067944	13	53	070868	09	23	074838	16	15
B11162B	11	01	067946	13	54	070958	07	13	074838	18	12
B11162B	13	01	067949	13	55	070964	07	32	074839	16	16
D9151	15	31	068256	16	04	070966	13	58	074840	16	17
H195A	11	02	068975	17	04	070970	09	17	074879	13	60
H487	09	01	068984	13	56	070987	13	08	075058	15	05
H7125	07	03	069090	13	57	071048	07	06	076766	09	03
H7126	07	22	069093	16	05	071049	07	07	076996	13	61
H7165	09	20	069093	18	06	071124	20	04	077147	15	33
H7126	13	50	069107	17	04	071127	20	05	077477	19	07
7H37	07	01	069107	19	02	071325	13	09	077510	15	34
027003	09	08	069108	17	05	071652	20	04	077794	13	11
027003	13	02	069108	19	03	071703	07	08	077930	13	12
041881	07	40	069110	17	06	071703	11	05	078000	17	13
045026	13	51	069110	19	04	071703	13	10	078000	19	11
051948	11	03	069111	17	07	071787	07	09	078001	17	16
052048	17	01	069111	19	05	071788	07	10	078006	18	13
053657	09	02	069115	17	08	071881	15	42	078007	18	14
053859	13	74	069115	19	13	071946	17	11	078008	18	15
055021	16	01	069120	17	05	071946	19	08	078008	19	
055097	05	22	069122	17	06	071947	17	12	078009	19	01
055447	13	04	069126	17	07	071947	19	09	078010	19	02
055648	18	01	069126	19	05	071948	16	08	078011	19	03
055924	17	01	069135	16	06	071948	18	09	078012	19	08
055924	19	06	069135	18	07	071951	17	14	078013	19	09
056249	07	39	069136	16	07	071951	19	14	078014	18	16
057781	17	02	069136	18	08	071953	16	09	078014	18	
057781	19	04	069138	20	01	071953	18	10	078266	13	62
058368	17	02	069139	20	02	071954	17	15	079488	05	40
058615	18	03	069140	20	03	071954	19	10	079520	11	08
058805	17	03	069145	20	01	072050	11	06	079528	13	13
058805	19	01	069146	20	02	072297	15	32	079530	11	09
059059	17	03	069147	20	03	072330	09	32	079532	13	14
059075	18	04	069255	17	08	072849	15	04	079536	13	79
059272	15	01	069257	17	09	073281	13	59	079537	05	20
059876	09	21	069369	17	09	073770	05	19	079538	05	06
059882	13	78	069369	19	06	073771	05	05	079539	15	07
059886	13	52	069371	17	10	074388	16	10	079540	05	04
059890	07	37	069371	19	07	074388	17		079541	09	04
059895	07	35	069486	13	75	074389	17	10	079542	15	08
059897	07	31	069531	09	10	074390	17		079543	05	30
060442	09	09	069587	07	36	074391	16	12	079544	05	18
062023	16	02	069596	09	34	074392	16	13	079545	05	02
062023	18	05	070019	09	30	074392	18	11	079546	20	01
062738	13	05	070021	09	35	074696	17	11	079547	20	02
063590	13	06	070023	11	04	074394	16	14	079548	15	09
066369	13	07	070636	19	12	074803	11	07	079553	15	43
067880	16	03	070865	13	76	074836	20	03	079557	15	10

# HA1110 - NUMERICAL INDEX

Part No.	Page No.	Ref. No.	Part No.	Page No.	Ref. No.	Part No.	Page No.	Ref. No.	Part No.	Page No.	Ref. No.
079561	15	11	500091	13	68	650535	05	24	654004	07	24
079562	05	28	520065	11	11	650627	15	20	654004	15	25
079563	05	27	520065	13	22	650640	15	35	654006	05	29
079564	13	63	520085	09	24	650644	13	29	654006	09	33
079565	13	64	520085	11	12	650704	09	05	654006	13	38
079568	09	18	520085	13	23	650704	13	30	654009	09	27
079570	05	01	520132	13	77	650731	13	31	654009	13	39
079571	13	67	550047	15	45	650790	09	25	654009	15	38
079574	13	65	550048	15	46	650790	11	17	654024	05	16
079577	13	17	550049	15	47	650812	15	21	654024	13	72
079578	11	10	570011	15	48	650813	15	22	654024	15	26
079580	09	29	570019	13	69	650834	09	26	654026	05	26
079582	13	18	650328	13	24	650834	15	36	654026	07	18
079585	09	12	650422	13	25	650854	15	23	654026	09	07
079590	05	21	650486	05	09	650949	05	12	654026	11	20
079591	05	08	650486	13	70	651077	13	32	654026	13	40
079593	15	12	650487	05	10	651078	13	33	654030	09	16
079878	15	14	650487	15	19	651148	11	18	654030	11	21
080418	13	19	650488	07	14	652155	13	71	654030	13	41
080515	13	20	650488	09	36	653007	05	13	654030	15	39
080972	05	17	650490	05	23	653007	15	24	654032	13	42
080973	05	03	650490	07	33	653010	05	25	655001	13	73
080976	13	21	650490	11	13	653010	07	17	655022	15	40
081372	07	38	650491	07	15	653010	09	06	655030	15	41
112424	09	31	650491	11	14	653010	11	19	655533	13	43
112645	07	23	650494	11	15	653010	13	34	801888	20	
113331	15	49	650494	13	27	653018	09	14	802112	20	
113332	15	44	650495	09	13	653018	13	35	802463	16	
128015	07	02	650527	09	19	653018	15	37	802809	18	
128015	13	66	650528	05	32	653021	13	36	802931	20	
500056	13	81	650528	07	16	653038	13	37	900013	13	84
500057	13	80	650533	11	16	654004	05	14			

# HA1110 - NUMERICAL INDEX

---

---

Part No.	Page No.	Ref. No.	Part No.	Page No.	Ref. No.	Part No.	Page No.	Ref. No.	Part No.	Page No.	Ref. No.
-------------	-------------	-------------	-------------	-------------	-------------	-------------	-------------	-------------	-------------	-------------	-------------






---

## NOTES

# TORQUE SPECIFICATIONS

**NOTE:** Use these torque values when tightening **GEHL** hardware (excluding: Locknuts and Self-tapping, Thread Forming and Sheet Metal Screws) unless specified otherwise.

All torque values are in Lb-Ft except those marked with an \* which are Lb-In  
(For metric torque value Nm, multiply Lb-Ft value by 1.355 or Lb-In value by 0.113)

Unified National Thread	Grade 2 		Grade 5 		Grade 8 	
	Dry	Lubed	Dry	Lubed	Dry	Lubed
8-32	19*	14*	30*	22*	41*	31*
8-36	20*	15*	31*	23*	43*	32*
10-24	27*	21*	43*	32*	60*	45*
10-32	31*	23*	49*	36*	68*	51*
1/4-20	66*	50*	9	75*	12	9
1/4-28	76*	56*	10	86*	14	10
5/16-18	11	9	17	13	25	18
5/16-24	12		19	14		20
3/8-16	20	15	30	23	45	35
3/8-24	23	17	35	25	50	
7/16-14	32	24	50	35	70	55
7/16-20	36	27	55	40	80	60
1/2-13	50	35	75	55	110	80
1/2-20	55	40	90	65	120	90
9/16-12	70	55	110	80	150	110
9/16-18	80	60	120	90	170	130
5/8-11	100	75	150	110	220	170
5/8-18	110	85	180	130	240	180
3/4-10	175	130	260	200	380	280
3/4-16	200	150	300	220	420	320
7/8-9	170	125	430	320	600	460
7/8-14	180	140	470	360	660	500
1-8	250	190	640	480	900	680
1-14	270	210	710	530	1000	740
Metric Course Thread	Grade 8.8 		Grade 10.9 		Grade 12.9 	
	Dry	Lubed	Dry	Lubed	Dry	Lubed
M6-1	8	6	11	8	13.5	10
M8-1.25	19	14	27	20	32.5	24
M10-1.5	37.5	28	53	39	64	47
M12-1.75	65	48	91.5	67.5	111.5	82
M14-2	103.5	76.5	145.5	108	176.5	131
M16-2	158.5	117.5	223.5	165.5	271	200

**GEHL**®

**Gehl Company** 143 Water Street, P.O. Box 179, West Bend, WI 53095-0179