



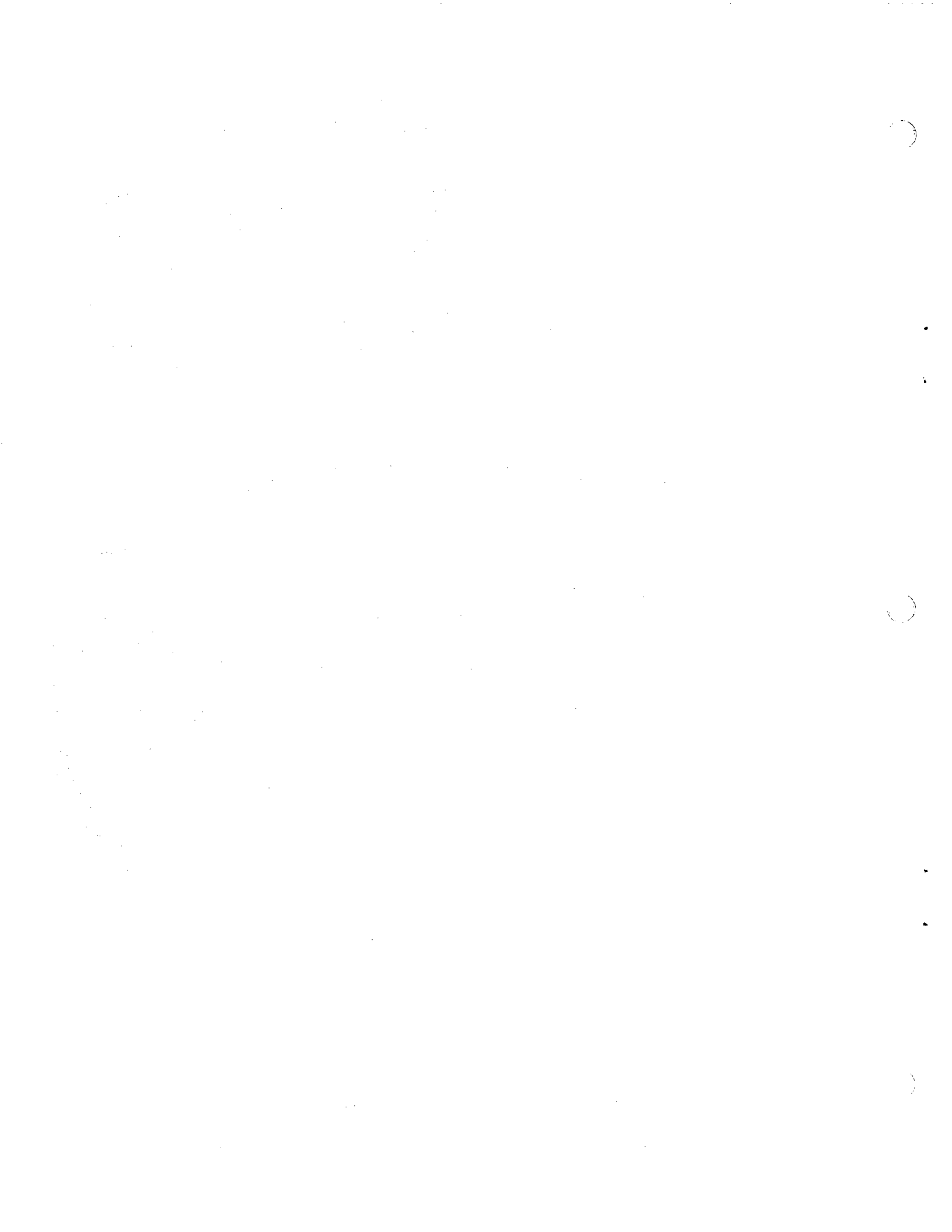
service parts manual

FORM NO. 042704



GEHL COMPANY

WEST BEND, WISCONSIN 53095 U.S.A.



HA600 - INTRODUCTION

Mr. Dealer:

Give complete information when ordering service parts. Always give complete part number and also complete part description. The model number and serial number should always be given. Numbers for this unit are stamped on a plate located on the right Outside Header.

"Right" and "Left" are determined from a position standing behind the unit and facing toward the Drawbar Hitch. From this position, the Drive is on the "Left" side.

NOTE: You will find common hardware such as nuts, bolts, etc. listed but not illustrated in parts lists in this manual. Hardware listed with the particular parts is for mounting purposes and is not included when the part is ordered for replacement.

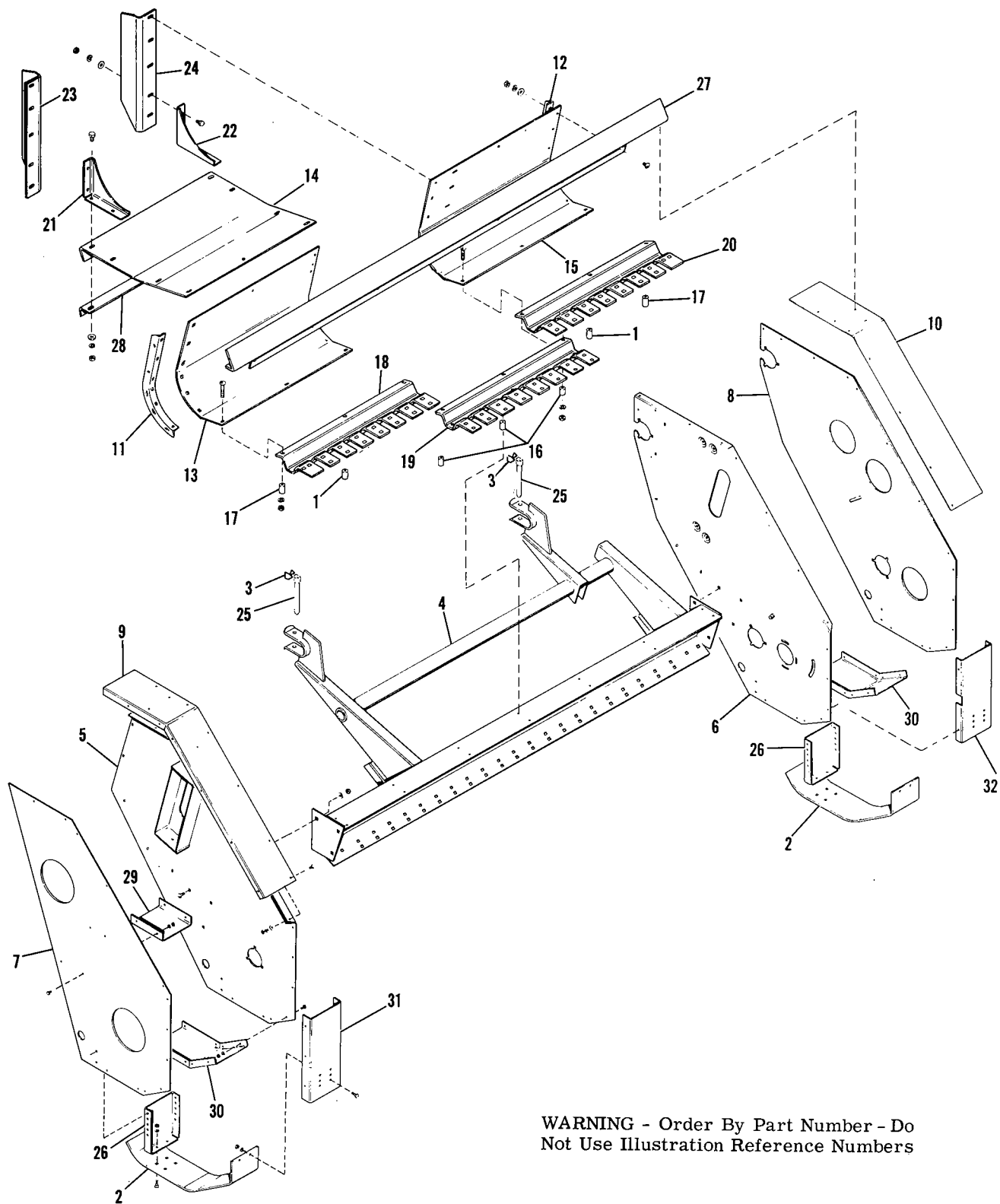
Gehl Company reserves the right to make changes or improvements in the design or construction of any part without incurring the obligation to install such changes on any unit previously delivered.

TABLE OF CONTENTS

	Page
Introduction	3
Frame and Headers	4-5
Pick-up and Auger	6-7-8



HA600 - FRAME AND HEADER



WARNING - Order By Part Number - Do Not Use Illustration Reference Numbers

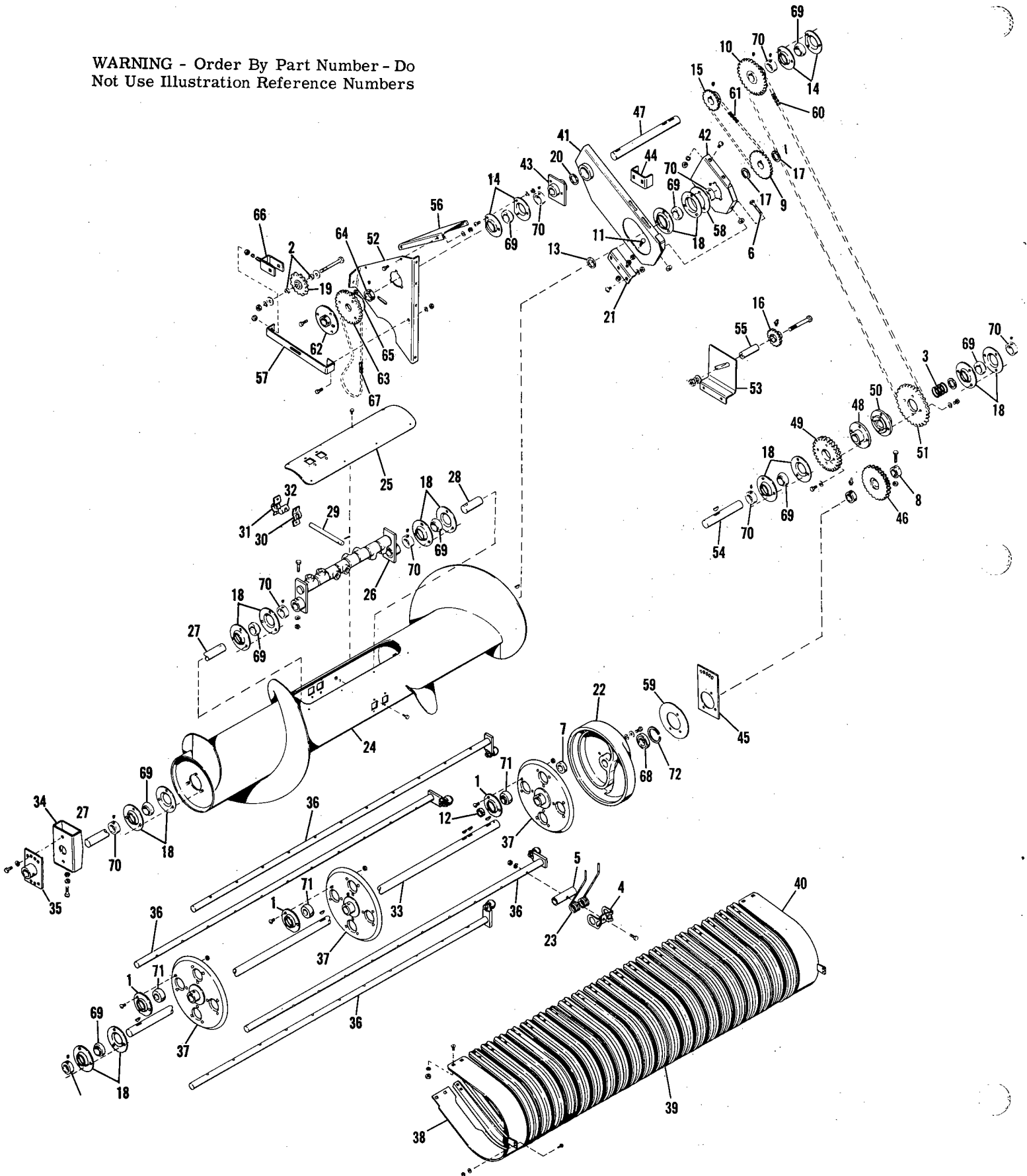
ALWAYS GIVE MODEL AND SERIAL NUMBER WHEN ORDERING SERVICE PARTS

HA600 - FRAME AND HEADER

Ref. No.	Part No.	Part Name	No. Req.	Ref. No.	Part No.	Part Name	No. Req.
1	9H301	Spring Guide Spacer	2	18	043628	Bottom Board Extension - Right	1
	652036	Carriage Bolt 5/16 x 2	2		650024	Hex. Hd. Cap Screw 5/16 x 3/4	2
	653006	Hexagon Nut - 5/16	2		653006	Hexagon Nut - 5/16	2
	654023	Lock Washer - 5/16	2		654023	Lock Washer - 5/16	2
2	H770E	Skid Shoe	2	19	043629	Bottom Board Extension - Center	1
	650027	Hex. Hd. Cap Screw 5/16 x 1	4		650024	Hex. Hd. Cap Screw 5/16 x 3/4	1
	652116	Plow Bolt - #3 Hd. 5/16 x 1	4		653006	Hexagon Nut - 5/16	1
	653006	Hexagon Nut - 5/16	8		654023	Lock Washer - 5/16	1
	654023	Lock Washer - 5/16	8	20	043630	Bottom Board Extension - Left	1
3	043047	Attachment Pin Clip	2		650024	Hex. Hd. Cap Screw 5/16 x 3/4	2
4	043541	Main Frame	1		650027	Hex. Hd. Cap Screw 5/16 x 1	2
5	043597	Header - Right Inside	1		653006	Hexagon Nut - 5/16	4
	652047	Carriage Bolt 3/8 x 1	3		654023	Lock Washer - 5/16	4
	653009	Hexagon Nut - 3/8	3	21	043631	Filler Piece - Right	1
	654025	Lock Washer - 3/8	3		650024	Hex. Hd. Cap Screw 5/16 x 3/4	4
6	043602	Header - Left Inside	1		653006	Hexagon Nut - 5/16	4
	652047	Carriage Bolt 3/8 x 1	3		654003	Plain Washer - 5/16	4
	653009	Hexagon Nut - 3/8	3		654023	Lock Washer - 5/16	4
	654025	Lock Washer - 3/8	3	22	043632	Filler Piece - Left	1
7	043606	Header - Right Outside	1		650024	Hex. Hd. Cap Screw 5/16 x 3/4	4
8	043607	Header - Left Outside	1		653006	Hexagon Nut - 5/16	4
9	043608	Header Cover - Right	1		654003	Plain Washer - 5/16	4
	650024	Hex. Hd. Cap Screw 5/16 x 3/4	14		654023	Lock Washer - 5/16	4
	653006	Hexagon Nut - 5/16	13	23	043633	Throat Sheet - Right	1
	654003	Plain Washer - 5/16	4		650268	Truss Head Screw 5/16 x 3/4	2
	654023	Lock Washer - 5/16	14		652025	Carriage Bolt 5/16 x 3/4	1
10	043609	Header Cover - Left	1		653006	Hexagon Nut - 5/16	2
	650024	Hex. Hd. Cap Screw 5/16 x 3/4	17		654003	Plain Washer - 5/16	2
	653006	Hexagon Nut - 5/16	17		654023	Lock Washer - 5/16	2
	654003	Plain Washer - 5/16	4	24	043634	Throat Sheet - Left	1
	654023	Lock Washer - 5/16	17		650268	Truss Head Screw 5/16 x 3/4	2
11	043610	Bottom Board Support - Right	1		652025	Carriage Bolt 5/16 x 3/4	1
	652025	Carriage Bolt 5/16 x 3/4	5		653006	Hexagon Nut - 5/16	3
	653006	Hexagon Nut - 5/16	5		654003	Plain Washer - 5/16	3
	654003	Plain Washer - 5/16	3		654023	Lock Washer - 5/16	3
	654023	Lock Washer - 5/16	5	25	043635	Attachment Pin	2
12	043611	Bottom Board Support - Left	1	26	043637	Shoe Bracket - Rear	2
	652025	Carriage Bolt 5/16 x 3/4	5		650055	Hex. Hd. Cap Screw 3/8 x 3/4	8
	653006	Hexagon Nut - 5/16	5		653009	Hexagon Nut - 3/8	8
	654003	Plain Washer - 5/16	3		654025	Lock Washer - 3/8	8
	654023	Lock Washer - 5/16	5	27	043638	Back Board Tie	1
13	043612	Bottom Board - Right	1		652025	Carriage Bolt 5/16 x 3/4	2
	652025	Carriage Bolt 5/16 x 3/4	7		653006	Hexagon Nut - 5/16	2
	653006	Hexagon Nut - 5/16	1		654003	Plain Washer - 5/16	2
	654003	Plain Washer - 5/16	6		654023	Lock Washer - 5/16	2
	654023	Lock Washer - 5/16	7	28	043639	Bottom Board Tie - Center	1
14	043613	Bottom Board - Center	1		650268	Truss Head Screw 5/16 x 3/4	1
15	043614	Bottom Board - Left	1		653006	Hexagon Nut - 5/16	1
	652025	Carriage Bolt 5/16 x 3/4	7		654003	Plain Washer - 5/16	1
	653006	Hexagon Nut - 5/16	7		654023	Lock Washer - 5/16	1
	654023	Lock Washer - 5/16	7	29	043654	Header Spacer - Right	1
16	043615	Bottom Board Spacer - Center	3		650055	Hex. Hd. Cap Screw 3/8 x 3/4	2
	652036	Carriage Bolt 5/16 x 2	3		653009	Hexagon Nut - 3/8	2
	653006	Hexagon Nut - 5/16	3		654025	Lock Washer - 3/8	2
	654023	Lock Washer - 5/16	3	30	043655	Header Cover - Lower	2
17	043616	Bottom Board Spacer - Outside	2		650266	Truss Head Screw 5/16 x 5/8	16
	652037	Carriage Bolt 5/16 x 2-1/4	2		653006	Hexagon Nut - 5/16	16
	653006	Hexagon Nut - 5/16	2		654023	Lock Washer - 5/16	16
	654023	Lock Washer - 5/16	2	31	043884	Header Cover Lower - R. Front	1
				32	043915	Header Cover Lower - L. Front	1

HA600 - PICKUP AND AUGER

WARNING - Order By Part Number - Do
Not Use Illustration Reference Numbers



HA600 - PICKUP AND AUGER

Ref. No.	Part No.	Part Name	No. Req.	Ref. No.	Part No.	Part Name	No. Req.
1	H275	Bearing Retainer	12	25	043567	Finger Access Cover	1
	652025	Carriage Bolt 5/16 x 3/4	36		650024	Hex. Hd. Cap Screw 5/16 x 3/4	8
	653072	Hexagon Lock Nut - 5/16	36		654023	Lock Washer - 5/16	8
2	17H325	Chain Tightener Spacer	2	26	043568	Finger Pivot	1
3	H786B	Clutch Spring	1		650071	Hex. Hd. Cap Screw 3/8 x 2-1/2	2
4	H795A	Spring Tooth Support	44		653009	Hexagon Nut - 3/8	2
5	H796A	Spring Bearing Tube	44		654025	Lock Washer - 3/8	2
6	H7100	Auger Arm Bolt 3/8 x 3-1/4	1	27	043573	Finger Indexing Shaft 1-1/4 x 31	1
	653037	Hexagon Jam Nut - 3/8	2	28	043574	Finger Pivot Stub Shaft - 1-1/4 x 3-1/2	1
7	H7124B	Spring Support Stud Spacer	4	29	043575	Finger	8
8	H7129	Auger Collar	1		655021	Cotter Pin 3/16 x 1-3/4	8
	650033	Hex. Hd. Cap Screw 5/16 x 1-3/4	1	30	043576	Finger Clip - Inside	8
	653072	Hexagon Lock Nut - 5/16	1	31	043577	Finger Clip - Outside	8
9	H7143A	Pickup Drive Sprocket (30 T)	1	32	043578	Finger Bearing	8
	650024	Hex. Hd. Cap Screw 5/16 x 3/4	4	33	043579	Pickup Main Shaft 1-1/4 x 77-5/16	1
	654023	Lock Washer - 5/16	4		655507	Woodruff Key 5/16 x 1	5
10	H7148	Auger Sprocket (24 T)	1	34	043580	Index Plate Support	1
	650212	Soc. Hd. Set Screw 3/8 x 3/8	2	35	043583	Finger Index Plate	1
11	H7155	Auger Arm Stop Bolt 1/2 x 2	2		650102	Hex. Hd. Cap Screw 1/2 x 1	2
	653043	Hexagon Jam Nut - 1/2	3		652056	Carriage Bolt 3/8 x 2-1/2	1
12	H7162	Tine Shaft Spacer	4		653009	Hexagon Nut - 3/8	1
13	H7165	Shim Washer	1		654025	Lock Washer - 3/8	1
14	H7838	Bearing Retainer	4	36	043585	Tine Shaft	4
	652045	Carriage Bolt 3/8 x 3/4	6	37	043589	Drum Head	3
	653009	Hexagon Nut - 3/8	6		650206	Soc. Hd. Set Screw 5/16 x 1/2	1
	654025	Lock Washer - 3/8	6		653033	Hexagon Jam Nut - 5/16	6
15	H8225	Auger Drive Sprocket (16 T)	1	38	043592	Tine Guide - Right	1
	650212	Soc. Hd. Set Screw 3/8 x 3/8	1		650268	Truss Head Screw 5/16 x 3/4	5
16	D9040	Chain Tightener Sprocket (16 T)	1		652045	Carriage Bolt 3/8 x 3/4	4
	570002	Grease Fitting	1		653006	Hexagon Nut - 5/16	1
	650129	Hex. Hd. Cap Screw 1/2 x 4-1/4	1		653009	Hexagon Nut - 3/8	4
	653017	Hexagon Nut - 1/2	1		654023	Lock Washer - 5/16	1
	654008	Plain Washer - 1/2	2		654025	Lock Washer - 3/8	4
	654029	Lock Washer - 1/2	1	39	043594	Tine Guide - Center	21
17	B11090	Shim Washer	2		652045	Carriage Bolt 3/8 x 3/4	84
18	R13227	Bearing Retainer	14		653009	Hexagon Nut - 3/8	84
	652045	Carriage Bolt 3/8 x 3/4	9		654025	Lock Washer - 3/8	84
	653009	Hexagon Nut - 3/8	15	40	043595	Tine Guide - Left	1
	654025	Lock Washer - 3/8	15		650268	Truss Head Screw 5/16 x 3/4	1
19	C14118	Chain Tightener Sprocket (15 T)	1		652045	Carriage Bolt 3/8 x 3/4	4
	652096	Carriage Bolt 5/8 x 4	1		653006	Hexagon Nut - 5/16	1
	653020	Hexagon Nut - 5/8	1		653009	Hexagon Nut - 3/8	4
	654011	Plain Washer - 5/8	1		654023	Lock Washer - 5/16	1
	654031	Lock Washer - 5/8	1		654025	Lock Washer - 3/8	4
20	C14121	Sprocket Spacer	1	41	043617	Auger Arm	1
21	040421	Auger Arm Stop - Right	1	42	043621	Auger Take-Up Bracket	1
	652047	Carriage Bolt 3/8 x 1	2	43	043624	Auger Pivot Support	1
	653009	Hexagon Nut - 3/8	2		652047	Carriage Bolt 3/8 x 1	3
	654025	Lock Washer - 3/8	2		653009	Hexagon Nut - 3/8	3
22	043046	Cam Drum	1		654025	Lock Washer - 3/8	3
	570003	Grease Fitting	1	44	043627	Auger Arm Stop	1
23	043048	Pickup Tine	44		652045	Carriage Bolt 3/8 x 3/4	2
	650039	Hex. Hd. Cap Screw 5/16 x 2-1/2	44		653009	Hexagon Nut - 3/8	2
	653072	Hexagon Lock Nut - 5/16	44		654025	Lock Washer - 3/8	2
24	043555	Auger	1				
	650002	Hex. Hd. Cap Screw 1/4 x 5/8	16				
	653070	Hexagon Lock Nut - 1/4	16				
	654001	Plain Washer - 1/4	16				
	655021	Cotter Pin 3/16 x 1-3/4	1				
	655508	Woodruff Key 5/16 x 1-1/4	1				

PARTS LIST CONTINUED ON NEXT PAGE

HA600 - PICKUP AND AUGER

Ref. No.	Part No.	Part Name	No. Req.	Ref. No.	Part No.	Part Name	No. Req.	
45	043640	Cam Drum Index Plate	1	57	043653	Chain Tightener Take-up Bracket	1	
	650022	Hex. Hd. Cap Screw 5/16 x 5/8	8		650059	Hex. Hd. Cap Screw 3/8 x 1 . .	1	
	650059	Hex. Hd. Cap Screw 3/8 x 1 . .	3		653009	Hexagon Nut - 3/8	1	
	654003	Plain Washer - 5/16	1		654025	Lock Washer - 3/8	1	
	654005	Plain Washer - 3/8	3	58	043657	Auger Bearing Spacer	1	
	654023	Lock Washer - 5/16	1	59	043711	Drum Cam Shim	2	
	654025	Lock Washer - 3/8	3	60	043733	Chain of 135 Links Including One (500057) Connector Link and One (500058) Offset Link	1	
46	043641	Pickup Driven Gear (28 T)	1	61	043734	Chain of 58 Links Including One (500160) Connector Link	1	
47	043642	Main Drive Shaft 1-1/4 x 14-3/4	1		62	043885	Safety Flange	1
	655507	Woodruff Key 5/16 x 1	1		650030	Hex. Hd. Cap Screw 5/16 x 1-1/4	1	
48	043643	Clutch Sprocket Hub	1		650200	Soc. Hd. Set Screw 5/16 x 1/4 .	2	
49	043644	Pickup Drive Gear (28 T)	1		653006	Hexagon Nut - 5/16	1	
	650027	Hex. Hd. Cap Screw 5/16 x 1 . .	4		654023	Lock Washer - 5/16	1	
	654023	Lock Washer - 5/16	4	63	043888	Main Drive Sprocket (28 T) . . .	1	
50	043645	Clutch Sprocket Hub	1	64	043889	Drive Sprocket Retainer	1	
51	043646	Pickup Drive Sprocket (30 T) . .	1		650200	Soc. Hd. Set Screw 5/16 x 1/4 .	2	
	650203	Soc. Hd. Set Screw 5/16 x 3/8 .	1	65	043890	Drive Sprocket Washer	1	
52	043647	Drive Bracket	1	66	043916	Take-up Bracket Assembly . . .	1	
	650268	Truss Head Screw 5/16 x 3/4 .	2		653043	Hexagon Jam Nut - 1/2	2	
	652025	Carriage Bolt 5/16 x 3/4	1	67	500082	Chain of 70 Links Including One (500057) Connector Link	1	
	653006	Hexagon Nut - 5/16	3	68	520064	Ball Bearing	1	
	654023	Lock Washer - 5/16	3	69	520065	Ball Bearing	7	
53	043648	Chain Tightener Support	1	70	520085	Bearing Collar	8	
54	043649	Drive Gear Shaft 1-1/4 x 8 . . .	1	71	520185	Ball Bearing	12	
	655507	Woodruff Key 5/16 x 1	1	72	540005	Retaining Ring	1	
55	043650	Idler Journal	1					
56	043651	Drive Bracket Cover	1					
	650024	Hex. Hd. Cap Screw 5/16 x 3/4	4					
	653006	Hexagon Nut - 5/16	4					
	654023	Lock Washer - 5/16	4					

ALWAYS GIVE MODEL AND SERIAL NUMBER WHEN ORDERING SERVICE PARTS



Where Quality is a Family Tradition

GEHL COMPANY WEST BEND, WISCONSIN 53095 U.S.A.