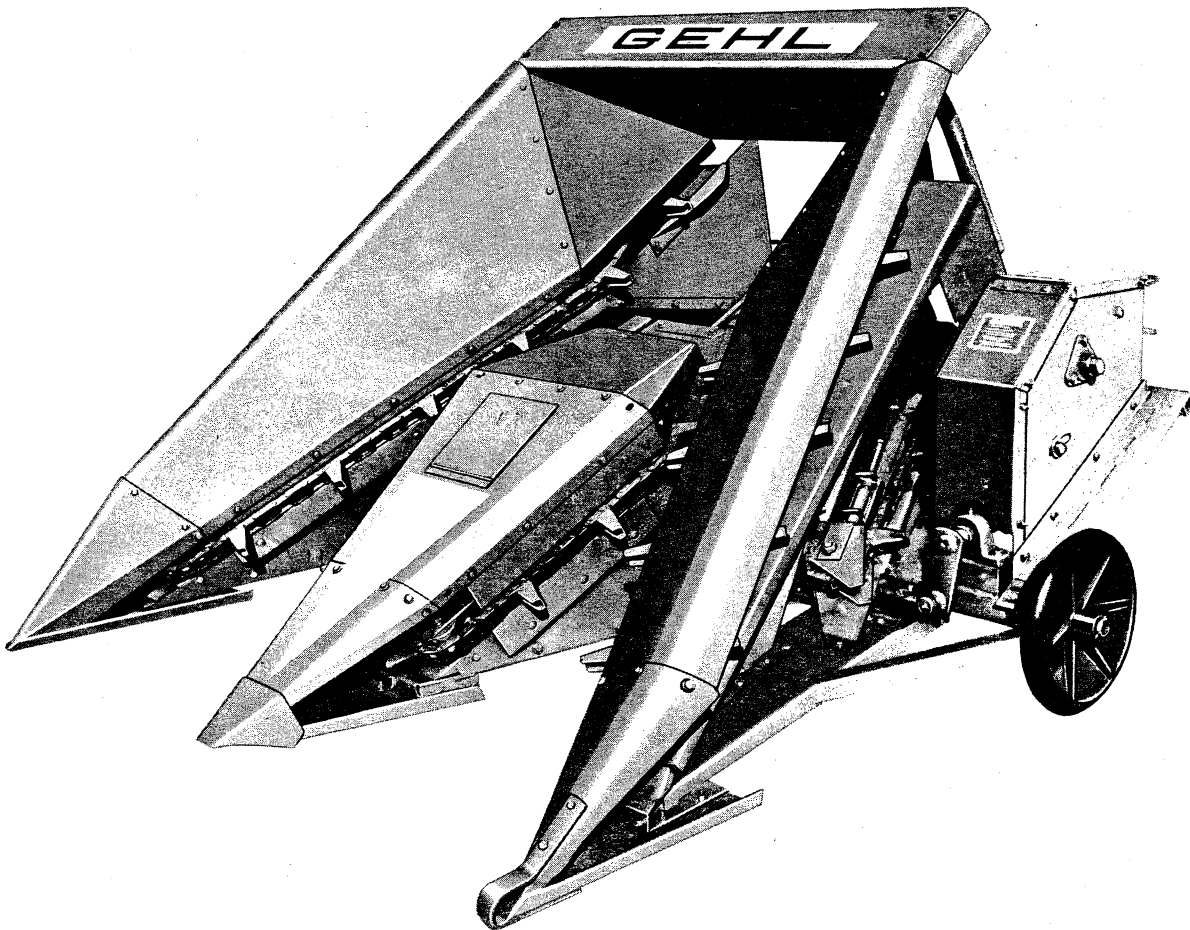


# TR 600

## Two Row Attachment



Service Parts Manual

Form No.  
901576  
Replaces  
900999



# TR600 - INTRODUCTION

## Mr. Dealer:

Give complete information when ordering service parts. Always give complete part number and also complete part description. The model number and serial number should always be given. Numbers for this unit are stamped on a plate located on the right Main Frame Member adjacent to the Attachment Yoke.

"Right" and "Left" are determined from a position standing behind the unit and facing toward the Gatherer Shoes. From this position, the Sickle and Drive is on the "Left" side. "Front" is the leading side and "Rear" is the trailing side when the tractor is traveling forward.

**NOTE:** You will find common hardware such as nuts, bolts, etc. listed but not illustrated in parts lists in this manual. Hardware listed with the particular part is for mounting purposes and is not included when the part is ordered for replacement.

Gehl Company reserves the right to make changes or improvements in the design or construction of any part without incurring the obligation to install such changes on any unit previously delivered.

## Table of Contents

	Page
Introduction .....	2
Decal Locations .....	3
Frame .....	4-5
Divider .....	6-7
Gatherer Center Section (Used after Serial No. 7725) .....	8-9
Gatherer Center Section (Used before Serial No. 7726) .....	10-11
Gatherer (Used after Serial No. 7725) .....	12-14
Gatherer (Used before Serial No. 7726) .....	15-17
Sickle and Sickle Drive .....	18-20
Numerical Index .....	21-22

Parts lists in this manual contain various abbreviations. Below is an explanation of these abbreviations.

HN	-	Hexagon Nut
HJN	-	Hexagon Jam Nut
HLN	-	Hexagon Lock Nut
SN	-	Slotted Nut
CN	-	Castellated Nut
WN	-	Wing Nut
PW	-	Plain Washer
LW	-	Lock Washer
ILW	-	Internal Tooth Lock Washer
ELW	-	External Tooth Lock Washer
L.H.	-	Left-Hand Thread
NF	-	National Fine Thread
S-L	-	Self-Locking
DPT	-	Double Pitch Tooth

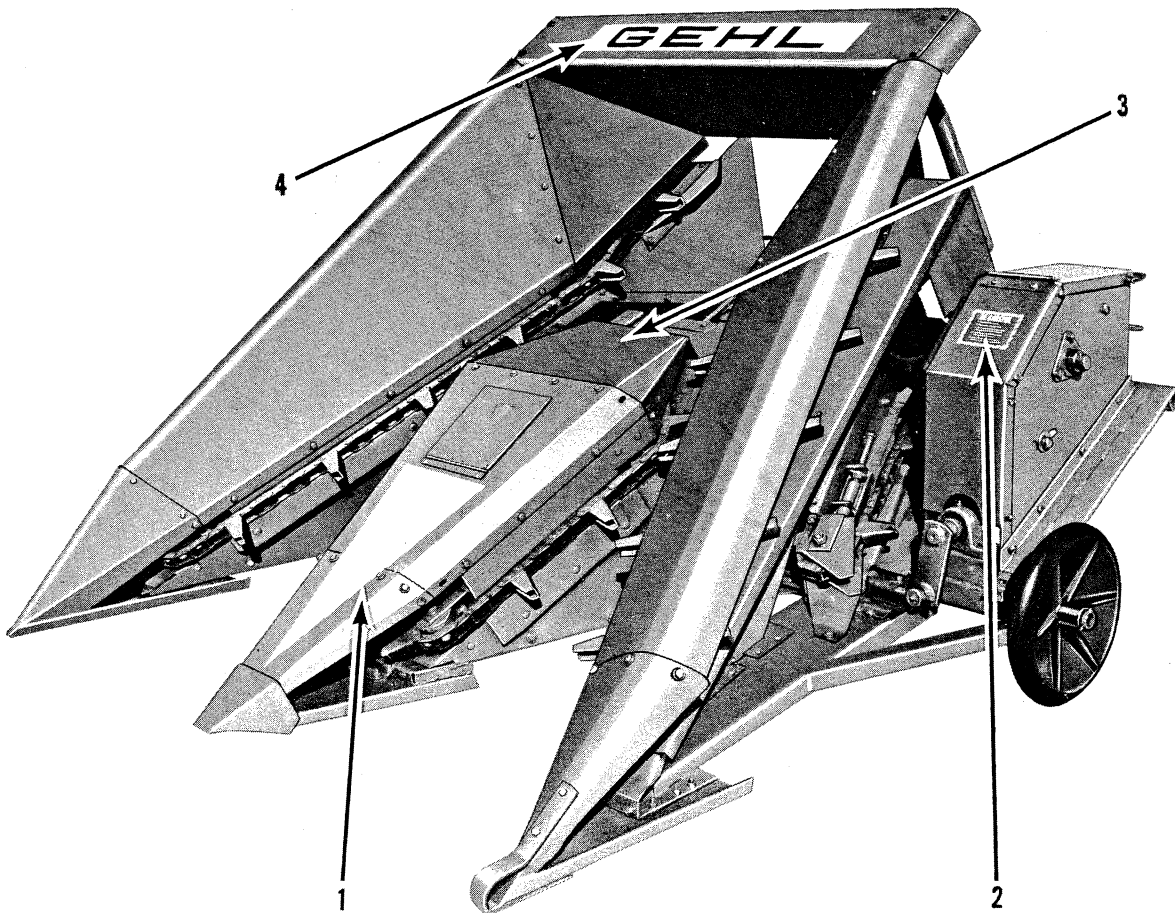
## DECAL LOCATIONS

Decal locations are shown to assist in application of new decals in the event of damage to the decal or refinishing of the machine. Check below for their locations.

Surfaces must be free from dirt, dust, grease and other foreign material before applying decals. To apply decals, remove the smaller portion of the decal backing paper and apply this part of the exposed adhesive backing to the clean surface in respective position. Peel other portion of the backing paper off slowly and apply decal.

The Decal Set Number for TR600 is 044180. The set includes the following Decals:

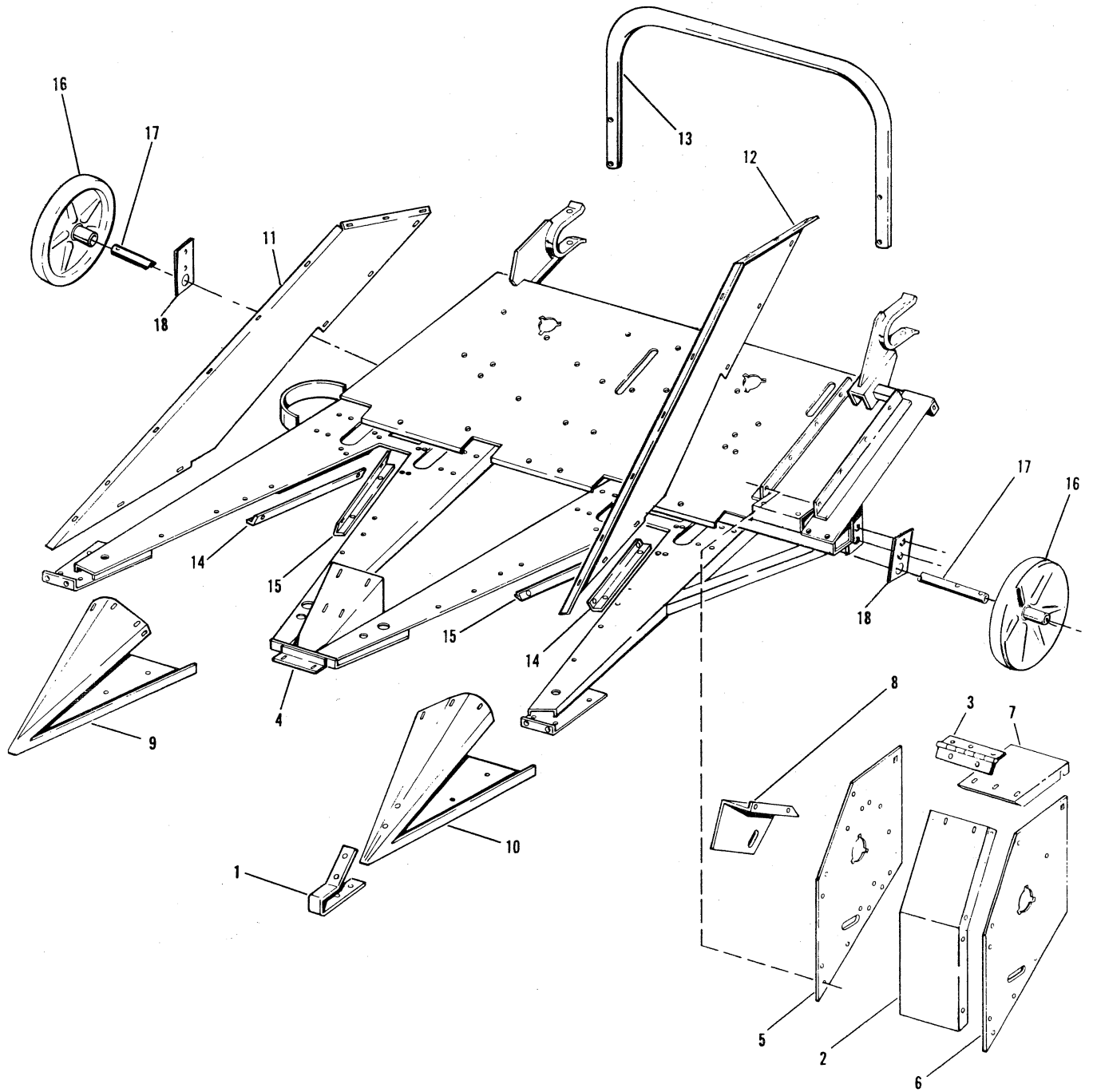
- |     |        |                             |
|-----|--------|-----------------------------|
| 1 - | 053361 | Center Point                |
| 2 - | 053354 | Be Careful                  |
| 3 - | 052922 | Idler Adjustments           |
| 4 - | 046086 | Gehl (3 $\frac{3}{4}$ x 30) |



*NOTE: Always order Decals by set number. DO NOT order Decals separately.*

**IMPORTANT:** Always observe safety rules shown on Decals.

# TR600 - FRAME



WARNING - Order By Part Number - Do Not Use Illustration Reference Numbers

ALWAYS GIVE MODEL AND SERIAL NUMBER WHEN ORDERING SERVICE PARTS

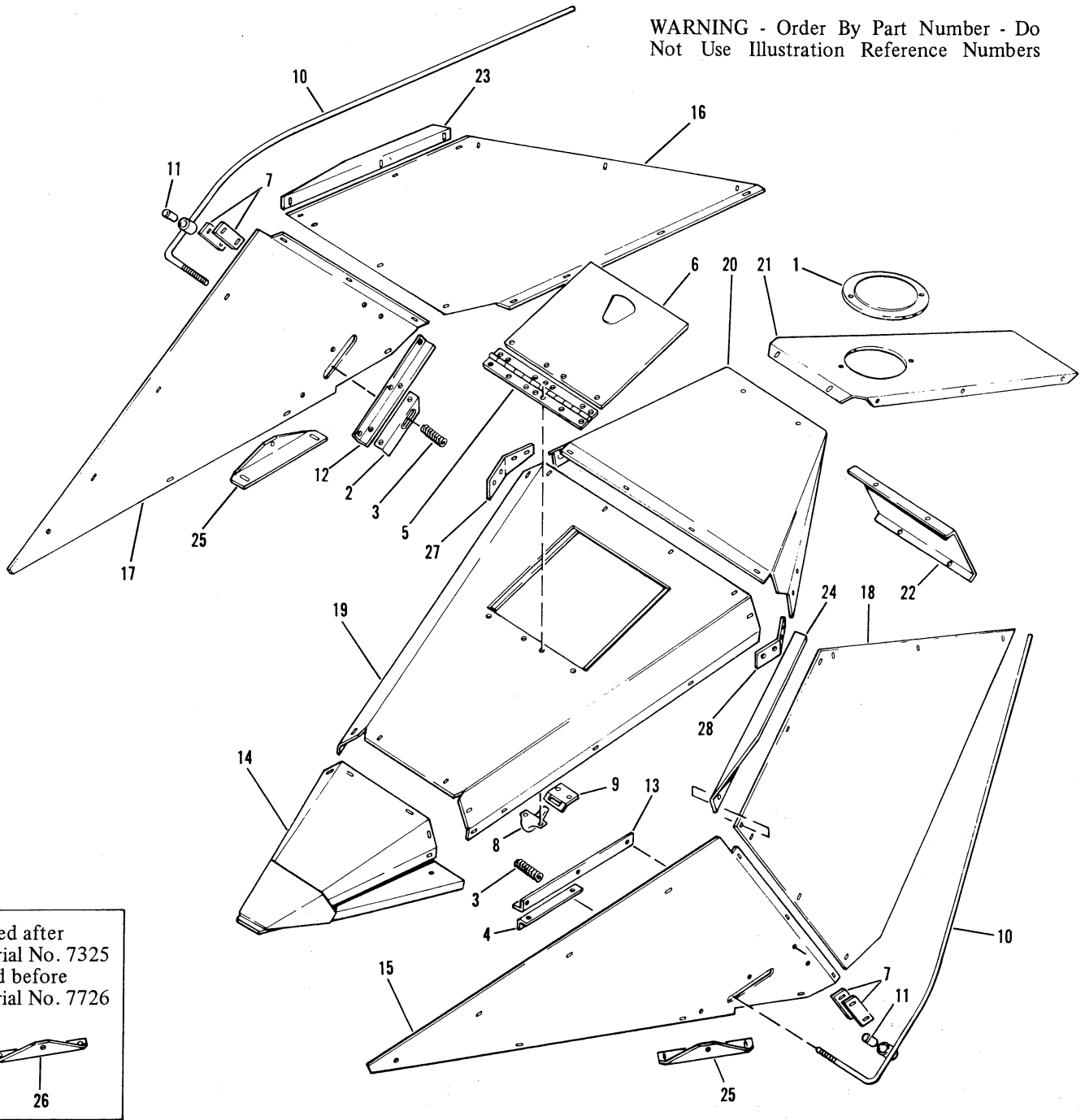
Ref. No.	Part No.	Part Name	No. Req.	Ref. No.	Part No.	Part Name	No. Req.
1	H8233	Gatherer Shoe Slide	1	9	045758	Gatherer Shoe - Right	1
	650025	Hex. Hd. Cap Screw 5/16 x 3/4..	2		650025	Hex. Hd. Cap Screw 5/16 x 3/4..	4
	650185	Flat Head Screw 5/16 x 1	2		650185	Flat Head Screw 5/16 x 1	4
		(4) 5/16 HN 653007 - (2) 5/16 PW 654004				(8) 5/16 HN 653007 - (8) 5/16 Pw 654004	
		(4) 5/16 LW 654024				(8) 5/16 LW 654024	
2	044704	Drive Support Cover	1	10	045764	Gatherer Shoe - Left	1
	650025	Hex. Hd. Cap Screw 5/16 x 3/4..	8		650025	Hex. Hd. Cap Screw 5/16 x 3/4..	4
		(8) 5/16 HN 653007 - (8) 5/16 LW 654024			650185	Flat Head Screw 5/16 x 1	4
3	045453	Chain Guard Hinge	1			(8) 5/16 HN 653007 - (8) 5/16 PW 654004	
	650025	Hex. Hd. Cap Screw 5/16 x 3/4 ..	5			(8) 5/16 LW 654024	
		(5) 5/16 HN653007 - (3) 5/16 PW654004		11	045767	Gatherer Shroud - Right	1
		(5) 5/16 LW654024				(Used before Serial No. 7326)	
4	045700	Gatherer Frame	1	050429	Gatherer Shroud - Right		1
		(Used before Serial No. 7001)				(Used after Serial No. 7325)	
	650215	S-L Soc. Hd. Set Screw 3/8 x 1/2	8		650025	Hex. Hd. Cap Screw 5/16 x 3/4..	7
	046947	Gatherer Frame	1		650028	Hex. Hd. Cap Screw 5/16 x 1	2
		(Used after Serial No. 7000				(9) 5/16 HN 653007 - (8) 5/16 PW 654004	
		and before Serial No. 7326)				(9) 5/16 LW 654024 - (1) 1/4 PW 654002	
	650215	S-L Soc. Hd. Set Screw 3/8 x 1/2	8	12	045768	Gatherer Shroud - Left	1
	050277	Gatherer Frame	1			(Used before Serial No. 7326)	
		(Used after Serial No. 7325			050430	Gatherer Shroud - Left	1
		and before Serial No. 7726)				(Used after Serial No. 7325)	
	650215	S-L Soc. Hd. Set Screw 3/8 x 1/2	8		650025	Hex. Hd. Cap Screw 5/16 x 3/4..	7
	052923	Gatherer Frame	1		650028	Hex. Hd. Cap Screw 5/16 x 1	2
		(Used after Serial No. 7725)				(9) 5/16 HN 653007 - (8) 5/16 PW 654004	
	650215	S-L Soc. Hd. Set Screw 3/8 x 1/2	8			(9) 5/16 LW 654024 - (1) 1/4 PW 654002	
5	045738	Drive Support - Right	1	13	045785	Gatherer Brace	1
		(Used before Serial No. 7001)			650038	Hex. Hd. Cap Screw 5/16 x 2 3/4..	2
	046978	Drive Support - Right	1		650072	Hex. Hd. Cap Screw 3/8 x 2 1/2 ..	4
		(Used after Serial No. 7000				(2) 5/16 HN 653007 - (4) 3/8 HN 653010	
		and before Serial No. 7726)				(2) 5/16 LW 654024 - (4) 3/8 LW 654026	
	052992	Drive Support - Right	1	14	050464	Shroud Support - Outside	2
		(Used after Serial No. 7725)				(Used after Serial No. 7325)	
	650056	Hex. Hd. Cap Screw 3/8 x 3/4 ..	5		650025	Hex. Hd. Cap Screw 5/16 x 3/4..	4
		(5) 3/8 LW 654026				(4) 5/16 HN 653007 - (4) 5/16 LW 654024	
6	045739	Drive Support - Left	1	15	050465	Shroud Support - Inside	2
		(Used before Serial No. 7001)				(Used after Serial No. 7325	
	047276	Drive Support - Left	1			and before Serial No. 7726)	
		(Used after Serial No. 7000			052961	Shroud Support - Inside	2
		and before Serial No. 7726)				(Used after Serial No. 7725)	
	052993	Drive Support - Left	1		650025	Hex. Hd. Cap Screw 5/16 x 3/4..	4
		(Used after Serial No. 7725)				(4) 5/16 HN 653007 - (4) 5/16 LW 654024	
	650056	Hex. Hd. Cap Screw 3/8 x 3/4 ..	4				
		(4) 3/8 LW 654026					
7	045742	Drive Chain Guard	1	16	H5030	Transport Wheel	2
	652026	Carriage Bolt 5/16 x 3/4	2	17	H8117C	Transport Axle	1
		(2) 5/16 WN 653094 - (2) 5/16 PW 654004			655024	Cotter Pin 3/16 x 2	6
		(2) 5/16 LW 654024		18	058420	Transport Axle Support	2
8	045743	Chain Guard	1			(Used after Serial No. 9750)	
	650023	Hex. Hd. Cap Screw 5/16 x 5/8..	2		650494	Hex. Hd. Cap Screw Gr 5 1/2 x 1..	4
		(2) 5/16 HN 653007 - (2) 5/16 PW 654004				(4) 1/2 HN 653018 - (4) 1/2 LW 654030	
		(2) 5/16 LW 654024					

**TRANSPORT KIT ACCESSORY**

ALWAYS GIVE MODEL AND SERIAL NUMBER WHEN ORDERING SERVICE PARTS

# TR600 - DIVIDER

WARNING - Order By Part Number - Do Not Use Illustration Reference Numbers



Used after  
Serial No. 7325  
and before  
Serial No. 7726

26

Ref. No.	Part No.	Part Name	No. Req.	Ref. No.	Part No.	Part Name	No. Req.
1	5H20A	Access Cover	1	7	041389	Stalk Guide Stop	2
2	H8042	Stalk Guide Support - Right	1			(Used before Serial No. 7326)	
	650025	Hex. Hd. Cap Screw 5/16 x 3/4.	1	050459	Stalk Guide Stop		6
		(1) 5/16 HN 653007 - (1) 5/16 LW 654024				(Used after Serial No. 7325)	
3	H8049	Stalk Guide Spring	2	650025	Hex. Hd. Cap Screw 5/16 x 3/4.		4
4	H8143	Stalk Guide Support - Left	1			(4) 5/16 HN 653007 - (4) 5/16 PW 654004	
	650025	Hex. Hd. Cap Screw 5/16 x 3/4.	1			(4) 5/16 LW 654024	
		(1) 5/16 HN 653007 - (1) 5/16 LW 654024		8	042043	Door Retaining Spring	1
5	H8228	Divider Lid Hinge	1	650285	Rd. Hd. Mach. Screw No. 1024 x 1/2		2
	650025	Hex. Hd. Cap Screw 5/16 x 3/4.	4	653003	Hex. Mach. Screw Nut - No. 1024		2
		(4) 5/16 HN 653007 - (4) 5/16 LW 654024				(2) 3/16 LW 654020	
6	041355	Divider Lid	1				

(Parts List Continued On Next Page)

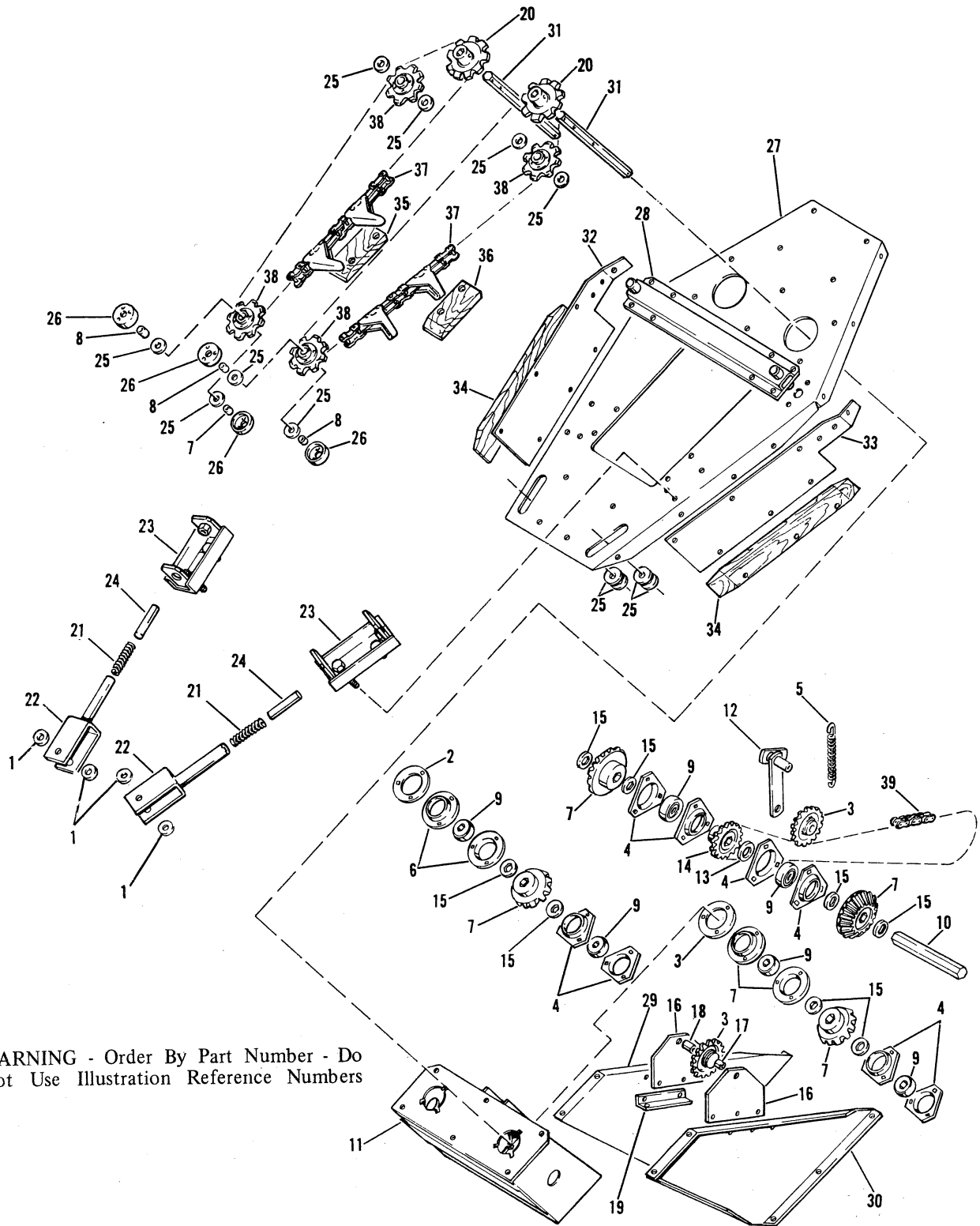
ALWAYS GIVE MODEL AND SERIAL NUMBER WHEN ORDERING SERVICE PARTS

Ref. No.	Part No.	Part Name	No. Req.	Ref. No.	Part No.	Part Name	No. Req.
9	042044	Spring Cam	1	19	045773	Divider Cover - Front	1
	650285	Rd. Hd. Mach. Screw No. 1024 x 1/2	2		650025	Hex. Hd. Cap Screw 5/16 x 3/4	12
	653003	Hex. Mach. Screw Nut - No. 1024	2		(12) 5/16 HN 653007 - (12) 5/16 PW 654004		
	(2) 3/16 LW 654020				(12) 5/16 LW 654024		
10	045746	Stalk Guide	2	20	045775 <sup>B</sup>	Divider Cover - Rear	1
		(Used before Serial No. 7326)				(Used before Serial No. 7326)	
	050437	Stalk Guide	2	050447	Divider Cover - Rear	1	
		(Used after Serial No. 7325)				(Used after Serial No. 7325 and before Serial No. 7726)	
	650032	Hex. Hd. Cap Screw 5/16 x 1 1/2	2	052950	Divider Cover - Rear	1	
	(2) 5/16 HN 653007 - (4) 1/2 HN 653018					(Used after Serial No. 7725)	
	(2) 1/2 HLN 653077 - (2) 5/16 PW 654004			21	045778	Divider End	1
	(4) 1/2 PW 654009 - (2) 5/16 LW 654024					(Used before Serial No. 7726)	
11	045750	Bushing	2	052951	Divider End	1	
12	045754	Stalk Guide Support - Right	1			(Used after Serial No. 7725)	
		(Used before Serial No. 7326)			650005	Hex. Hd. Cap Screw 1/4 x 3/4	2
	050457	Stalk Guide Support - Right	1		650025	Hex. Hd. Cap Screw 5/16 x 3/4	2
		(Used after Serial No. 7325)			650269	Truss Head Screw 5/16 x 3/4	6
	650025	Hex. Hd. Cap Screw 5/16 x 3/4	3		(8) 5/16 HN 653007 - (2) 5/16 PW 654004		
	(3) 5/16 HN 653007 - (3) 5/16 LW 654024				(2) 1/4 LW 654022 - (8) 5/16 LW 654024		
13	045755	Stalk Guide Support - Left	1	22	045780	Divider Cover Support	1
		(Used before Serial No. 7326)				(Used before Serial No. 7726)	
	050458	Stalk Guide Support - Left	1	052953	Divider Cover Support	1	
		(Used after Serial No. 7325)				(Used after Serial No. 7725)	
	650025	Hex. Hd. Cap Screw 5/16 x 3/4	3		650025	Hex. Hd. Cap Screw 5/16 x 3/4	4
	(3) 5/16 HN 653007 - (3) 5/16 LW 654024				(4) 5/16 HN 653007 - (2) 5/16 PW 654004		
14	045761 <sup>A</sup>	Divider	1		(4) 5/16 LW 654024		
		(Used before Serial No. 7326)		23	045795	Stalk Release - Right	1
	050439	Divider	1			(Used after Serial No. 7325)	
		(Used after Serial No. 7325)			650025	Hex. Hd. Cap Screw 5/16 x 3/4	3
	650025	Hex. Hd. Cap Screw 5/16 x 3/4	6		(3) 5/16 HN 653007 - (3) 5/16 PW 654004		
	650028	Hex. Hd. Cap Screw 5/16 x 1	4		(3) 5/16 LW 654024		
	(10) 5/16 HN 653007 - (10) 5/16 PW 654004			24	045796	Stalk Release - Left	1
	(10) 5/16 LW 654024					(Used after Serial No. 7325)	
15	045769	Divider Shroud - Left Front	1		650025	Hex. Hd. Cap Screw 5/16 x 3/4	3
		(Used before Serial No. 7326)			(3) 5/16 HN 653007 - (3) 5/16 PW 654004		
	050450	Divider Shroud - Left Front	1		(3) 5/16 LW 654024		
		(Used after Serial No. 7325 and before Serial No. 7726)		25	051082 <sup>C</sup>	Divider Shroud Support - Right	1
	052963	Divider Shroud - Left Front	1			(Used after Serial No. 7325 and before Serial No. 7726)	
		(Used after Serial No. 7725)		052189	Divider Shroud Support	2	
	650025	Hex. Hd. Cap Screw 5/16 x 3/4	6			(Used after Serial No. 7725)	
	(6) 5/16 HN 653007 - (11) 5/16 PW 654004				650025	Hex. Hd. Cap Screw 5/16 x 3/4	2
	(6) 5/16 LW 654024				650028	Hex. Hd. Cap Screw 5/16 x 1	4
16	045770	Divider Shroud - Right Rear	1		(6) 5/16 HN 653007 - (6) 5/16 PW 654004		
		(Used before Serial No. 7726)			(6) 5/16 LW 654024		
	052964	Divider Shroud - Right Rear	1	26	051083 <sup>C</sup>	Divider Shroud Support - Left	1
		(Used after Serial No. 7725)				(Used after Serial No. 7325 and before Serial No. 7726)	
	650025	Hex. Hd. Cap Screw 5/16 x 3/4	4	27	052982	Corner Reinforcement - Right	1
	(4) 5/16 HN 653007 - (4) 5/16 PW 654004					(Used after Serial No. 7725)	
	(4) 5/16 LW 654024				650025	Hex. Hd. Cap Screw 5/16 x 3/4	3
17	045771	Divider Shroud - Right Front	1		650028	Hex. Hd. Cap Screw 5/16 x 1	1
		(Used before Serial No. 7326)			(4) 5/16 HN 653007 - (2) 5/16 PW 654004		
	050451	Divider Shroud - Right Front	1		(4) 5/16 LW 654024		
		(Used after Serial No. 7325 and before Serial No. 7726)		28	052983	Corner Reinforcement - Left	1
	052962	Divider Shroud - Right Front	1			(Used after Serial No. 7725)	
		(Used after Serial No. 7725)			650025	Hex. Hd. Cap Screw 5/16 x 3/4	3
	650025	Hex. Hd. Cap Screw 5/16 x 3/4	6		650028	Hex. Hd. Cap Screw 5/16 x 1	1
	(6) 5/16 HN 653007 - (11) 5/16 PW 654004				(4) 5/16 HN 653007 - (2) 5/16 PW 654004		
	(6) 5/16 LW 654024				(4) 5/16 LW 654024		
18	045772	Divider Shroud - Left Rear	1				
		(Used before Serial No. 7726)					
	052965	Divider Shroud - Left Rear	1				
		(Used after Serial No. 7725)					
	650025	Hex. Hd. Cap Screw 5/16 x 3/4	4				
	(4) 5/16 HN 653007 - (4) 5/16 PW 654004						
	(4) 5/16 LW 654024						

<sup>A</sup> For Replacement, Order 050439.<sup>B</sup> For Replacement, Order 050447.<sup>C</sup> For Replacement, Order 052189.

# TR600 - GATHERER CENTER SECTION

(Used After Serial No. 7725)



ALWAYS GIVE MODEL AND SERIAL NUMBER WHEN ORDERING SERVICE PARTS

**TR600 - GATHERER CENTER SECTION**  
**(Used After Serial No. 7725)**

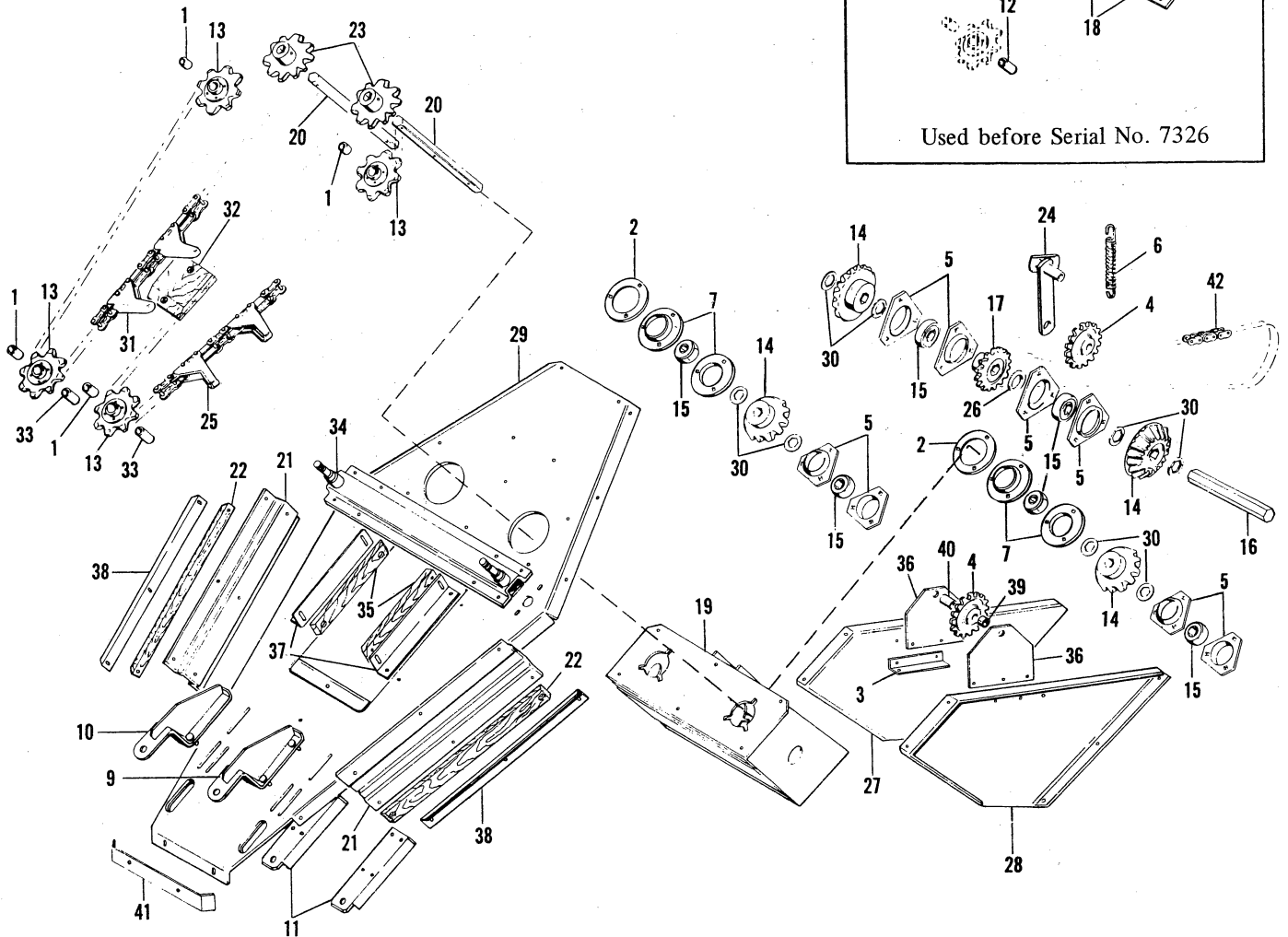
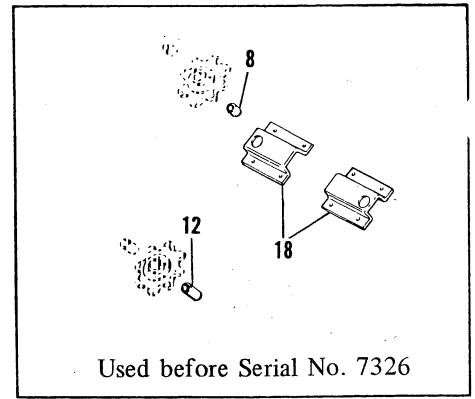
Ref. No.	Part No.	Part Name	No. Req.	Ref. No.	Part No.	Part Name	No. Req.
1	3H55A	Washer	4	24	052907	Idler Plunger	2
2	17H422	Bearing Spacer	2	25	052908	Idler Washer	12
3	H8254	Idler Sprocket (17T)	2	26	052921	Bearing Cap	4
	650145	Hex. Hd. Cap Screw 5/8 x 2	1	27	052945	Gatherer Board - Center	1
	652155	Hex. Hd. Mach. Bolt 5/8 x 4	1	28	052954	Idler Support	1
		(2) 5/8 HN 653021 - (4) 5/8 PW 654012			650025	Hex. Hd. Cap Screw 5/16 x 3/4	8
		(2) 5/8 LW 654032				(8) 5/16 HN 653007 - (8) 5/16 LW 654024	
4	H8334	Bearing Retainer	8	29	052958	Gatherer Drive Support - Right	1
	652046	Carriage Bolt 3/8 x 3/4	6		650025	Hex. Hd. Cap Screw 5/16 x 3/4	3
	652122	Carriage Bolt 3/8 x 1	6			(3) 5/16 HN 653007 - (3) 5/16 LW 654024	
		(6) 3/8 HN 653010 - (6) 3/8 HLN 653075		30	052959	Gatherer Drive Support - Left	1
		(6) 5/16 PW 654004 - (6) 3/8 LW 654026			650025	Hex. Hd. Cap Screw 5/16 x 3/4	3
						(3) 5/16 HN 653007 - (3) 5/16 LW 654024	
5	U10014B	Idler Spring	1	31	052960	Driven Shaft 1 Hex. x 10-13/32	2
6	R13227	Bearing Retainer	4		655020	Cotter Pin 3/16 x 1-1/2	8
	652122	Carriage Bolt 3/8 x 1	6	32	052969	Chain Guide - Right	1
		(6) 3/8 HLN 653075 - (6) 5/16 PW 654004		33	052970	Chain Guide - Left	1
7	044144	Gatherer Drive Gear (17T)	4	34	052971	Chain Board	2
8	044254	Idler Sprocket Spacer	4		652035	Carriage Bolt 5/16 x 3/4	6
9	044260	Ball Bearing	6			(6) 5/16 HN 653007 - (6) 5/16 LW 654024	
10	044326	Gatherer Drive Shaft 1 Hex. x 7-7/8	1	35	052980	Chain Slide - Right	1
	655020	Cotter Pin 3/16 x 1-1/2	2		652029	Carriage Bolt 5/16 x 1	2
11	044449	Bearing Support - Center	1			(2) 5/16 HN 653007 - (2) 5/16 LW 654024	
	650025	Hex. Hd. Cap Screw 5/16 x 3/4	10	36	052981	Chain Slide - Left	1
		(10) 5/16 HN 653007 - (10) 5/16 LW 654024			652029	Carriage Bolt 5/16 x 1	2
12	044475	Gatherer Drive Idler Arm	1			(2) 5/16 HN 653007 - (2) 5/16 LW 654024	
	650128	Hex. Hd. Cap Screw 1/2 x 4	1	37	052985 <sup>A</sup>	Gatherer Chain	2
		(1) 1/2 HLN 653077			500103	Roller Link	33
13	044641	Sprocket Spacer	1		500104	Connector Link	1
14	045461	Drive Sprocket (20T)	1		500106	Attachment Link	7
	650213	S-L Soc. Hd. Set Screw 3/8 x 3/8	2		500188	Spring Clip	1
15	045818	Shim Washer - (1/8)	As Req'd.	38	053022	Gatherer Idler Sprocket (8T)	4
	045819	Shim Washer - (1/16)	As Req'd.		650151	Hex. Hd. Cap Screw 5/8 x 3	2
	046145	Shim Washer - (1/32)	As Req'd.		650155	Hex. Hd. Cap Screw 5/8 x 4	4
16	050455	Idler Plate	2		650156	Hex. Hd. Cap Screw 5/8 x 4-1/2	2
	650025	Hex. Hd. Cap Screw 5/16 x 3/4	6			(8) 5/8 HN 653021 - (8) 5/8 LW 654032	
		(6) 5/16 HN 653007 - (6) 5/16 LW 654024		39	500097	Chain (No. 50) of 108 Links Including One (500057) Connector Link	1
17	050468	Spacer	1				
18	050469	Spacer	1				
19	051084	Idler Spring Bracket	1				
	650025	Hex. Hd. Cap Screw 5/16 x 3/4	1				
		(1) 5/16 HN 653007 - (1) 5/16 LW 654024					
20	052896	Gatherer Drive Sprocket (9T)	2				
	650215	S-L Soc. Hd. Set Screw 3/8 x 1/2	8				
21	052897	Compression Spring	2				
22	052898	Idler Yoke	2				
23	052902	Gatherer Take-up Guide	2				
	650028	Hex. Hd. Cap Screw 5/16 x 1	18				
	652156	Hexagon Tap Bolt 1/2 x 4	6				
		(18) 5/16 HN 653007 - (6) 1/2 HJN 653044					
		(18) 5/16 LW 654024					

<sup>A</sup>For Replacement, Order 053002,  
(CA550 Chain with C17E Links).

ALWAYS GIVE MODEL AND SERIAL NUMBER WHEN ORDERING SERVICE PARTS

# TR600 - GATHERER CENTER SECTION (Used Before Serial No. 7726)

WARNING - Order By Part Number - Do Not Use Illustration Reference Numbers



Ref. No.	Part No.	Part Name	No. Req.	Ref. No.	Part No.	Part Name	No. Req.
1	17H325	Idler Sprocket Spacer	4	6	U10014B	Idler Spring	1
2	17H422	Bearing Spacer	2	7	R13227	Bearing Retainer	4
		(One req'd. after Serial No. 7000 and before Serial No. 7326)			652122	Carriage Bolt 3/8 x 1	6
3	H8197A	Idler Spring Bracket	1		(6) 3/8 HLN 653075 - (6) 5/16 PW 654004		
	051084	Idler Spring Bracket	1	8	041278	Idler Sprocket Spacer	2
		(Used after Serial No. 7325)				(Used before Serial No. 7326)	
	650025	Hex. Hd. Cap Screw 5/16 x 3/4	1	9	041380	Gatherer Take-Up - Left	1
4	H8254	Idler Sprocket (17T)	2		(3) 5/16 HN 653007 - (3) 5/16 LW 654024		
		(One req'd. before Serial No. 7326)		10	041383	Gatherer Take-Up - Right	1
	650145	Hex. Hd. Cap Screw 5/8 x 2	1		(3) 5/16 HN 653007 - (3) 5/16 LW 654024		
	652155	Hex. Hd. Mach. Bolt 5/8 x 4	1	11	041385	Gatherer Take-Up - Lower	2
	(2) 5/8 HN 653021 - (4) 5/8 PW 654012					(Used before Serial No. 7326)	
	(2) 5/8 LW 654032				050084	Gatherer Take-Up - Lower	2
5	H8334	Bearing Retainer	8			(Used after Serial No. 7325)	
		(12 req'd. before Serial No. 7326)		12	041465	Take-Up Sprocket Spacer	2
	652046	Carriage Bolt 3/8 x 3/4	6			(Used before Serial No. 7326)	
	652122	Carriage Bolt 3/8 x 1	6				
	(6) 3/8 HN 653010 - (6) 3/8 HLN 653075						
10		(6) 5/16 PW 654004 - (6) 3/8 LW 654026					

(Parts List Continued On Next Page)

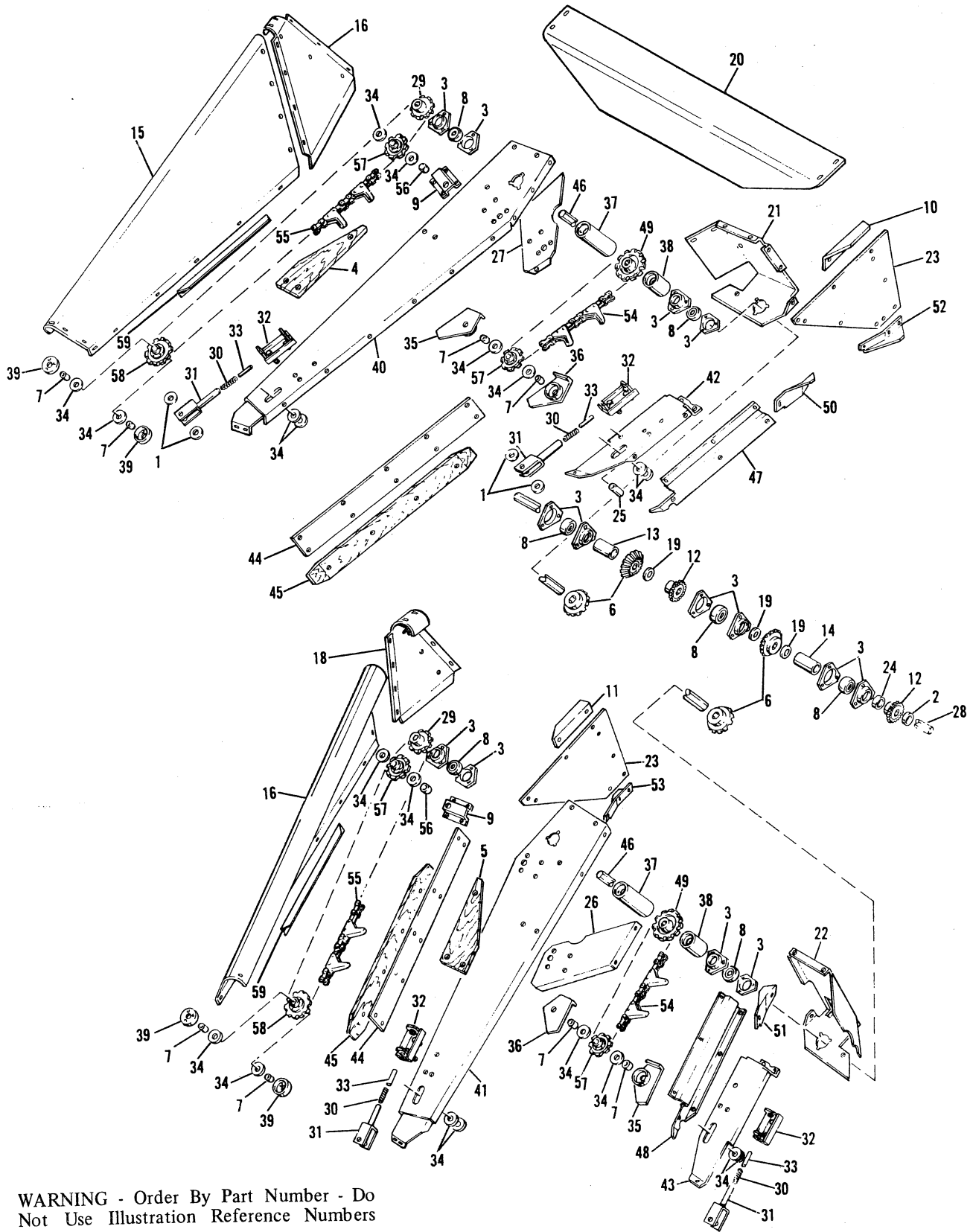
**TR600 - GATHERER CENTER SECTION**  
**(Used Before Serial No. 7726)**

Ref. No.	Part No.	Part Name	No. Req.	Ref. No.	Part No.	Part Name	No. Req.
13	043903 <sup>A</sup>	Gatherer Idler Sprocket (8T) (Used before Serial No. 7326)	4	29	045783	Gatherer Board - Center (Used before Serial No. 7326)	1
	050211	Gatherer Idler Sprocket (8T) (Used after Serial No. 7325)	4		650238	Sq. Hd. Set Screw 3/8 x 4	2
	650154	Hex. Hd. Cap Screw 5/8 x 3/4 (2) 5/8 HN 653021 - (2) 5/8 LW 654032	2		050443	Gatherer Board - Center (Used after Serial No. 7325)	1
14	044144	Gatherer Drive Gear (17T)	4		650025	Hex. Hd. Cap Screw 5/16 x 3/4	2
15	044260	Ball Bearing	6		650255	Sq. Hd. Set Screw 1/2 x 5/8 (2) 5/16 HN 653007 - (2) 1/2 HJN 653044	2
16	044326	Gatherer Drive Shaft 1 Hex. x 7-7/8	1			(2) 5/16 LW 654024	
	655020	Cotter Pin 3/16 x 1 1/2	2	30	045818	Shim Washer - (1/8)	As req.
17	044358	Drive Sprocket (16T) (Used before Serial No. 7326)	1		045819	Shim Washer - (1/16)	As req.
	650213	S-L Soc. Hd. Set Screw 3/8 x 3/8	1		046145	Shim Washer - (1/32)	As req.
	045461	Drive Sprocket (20T) (Used after Serial No. 7325)	1	31	045936	Gatherer Chain - Right	1
	650213	S-L Soc. Hd. Set Screw 3/8 x 3/8	2		042056	Roller Link	39
18	044424	Gatherer Idler Support (Used before Serial No. 7326)	2		042057	Connector Link	1
	044449	Bearing Support - Center	1		044767	Attachment Link	8
	650025	Hex. Hd. Cap Screw 5/16 x 3/4	4		042060	Spring Clip	1
	650269	Truss Head Screw 5/16 x 3/4 (10) 5/16 HN 653007 - (10) 5/16 LW 654024	6	32	049311	Slide (Used after Serial No. 7325)	1
20	044455 <sup>B</sup>	Driven Shaft 1 Hex. x 9-13/16 (Used before Serial No. 7326)	2		650271	Truss Head Screw 5/16 x 1 (2) 5/16 HN 653007 - (2) 5/16 LW 654024	2
	655020	Cotter Pin 3/16 x 1 1/2	6	33	050100	Spacer (Used after Serial No. 7325)	2
	050463	Driven Shaft 1 Hex. x 10-3/32 (Used after Serial No. 7325)	2	34	050298	Support Idler (Used after Serial No. 7325)	1
	655020	Cotter Pin 3/16 x 1 1/2	8		650025	Hex. Hd. Cap Screw 5/16 x 3/4 (8) 5/16 HN 653007 - (8) 5/16 LW 654024	8
21	044456	Gatherer Guide	2	35	050454	Chain Board (Used after Serial No. 7325)	2
22	044457	Chain Board	2		650271	Truss Head Screw 5/16 x 1 (4) 5/16 HN 653007 - (4) 5/16 LW 654024	4
	650269	Truss Head Screw 5/16 x 3/4 (4) 5/16 HN 653007 - (4) 5/16 LW 654024	4	36	050455	Idler Plate (Used after Serial No. 7325)	2
23	044470	Gatherer Drive Sprocket - Upper (8T) (Used before Serial No. 7001)	2		650025	Hex. Hd. Cap Screw 5/16 x 3/4 (6) 5/16 HN 653007 - (6) 5/16 LW 654024	6
	650201	Soc. Hd. Set Screw 5/16 x 5/16	2	37	050456	Chain Board Support (Used after Serial No. 7325)	2
	046942 <sup>C</sup>	Gatherer Drive Sprocket - Upper (10T) (Used after Serial No. 7000 and before Serial No. 7326)	2		650025	Hex. Hd. Cap Screw 5/16 x 3/4 (4) 5/16 HN 653007 - (4) 5/16 LW 654024	4
	650211	S-L Soc. Hd. Set Screw 3/8 x 5/16	4	38	050467	Chain Guide - Inside (Used after Serial No. 7325)	2
	050209	Gatherer Drive Sprocket - Upper (10T) (Used after Serial No. 7325)	2	39	050468	Spacer (Used after Serial No. 7325)	1
	650211	S-L Soc. Hd. Set Screw 3/8 x 5/16	4	40	050469	Spacer (Used after Serial No. 7325)	1
24	044475	Gatherer Drive Idler Arm	1	41	050470	Shroud Clamp (Used after Serial No. 7325)	1
	650128	Hex. Hd. Cap Screw 1/2 x 4 (1) 1/2 HLN 653077	1	42	500097	Chain (No. 50) of 108 Links Including One (500057) Connector Link (Used before Serial No. 7001)	1
25	044506	Gatherer Chain - Left	1		048397	Chain (No. 50) of 107 Links Including One (500057) Connector Link and One (500058) Offset Link (Used after Serial No. 7000 and before Serial No. 7326)	1
	042056	Roller Link	39		051077	Chain (No. 50) of 113 Links Including One (500057) Connector Link and One (500058) Offset Link (Used after Serial No. 7325)	1
	042057	Connector Link	1				
	044767	Attachment Link	8				
	042060	Spring Clip	1				
26	044641	Sprocket Spacer	1				
27	045744 <sup>D</sup>	Gatherer Drive Support - Right (Used before Serial No. 7326)	1				
	050452	Gatherer Drive Support - Right (Used after Serial No. 7325)	1				
	650025	Hex. Hd. Cap Screw 5/16 x 3/4 (3) 5/16 HN 653007 - (3) 5/16 LW 654024	3				
28	045745 <sup>E</sup>	Gatherer Drive Support - Left (Used before Serial No. 7326)	1				
	050453	Gatherer Drive Support - Left (Used after Serial No. 7325)	1				
	650025	Hex. Hd. Cap Screw 5/16 x 3/4 (3) 5/16 HN 653007 - (3) 5/16 LW 654024	3				

<sup>A</sup> For Replacement, Order 050211.  
<sup>B</sup> For Replacement, Order 050463.  
<sup>C</sup> For Replacement, Order 050209.  
<sup>D</sup> For Replacement, Order 050452.  
<sup>E</sup> For Replacement, Order 050453.

ALWAYS GIVE MODEL AND SERIAL NUMBER WHEN ORDERING SERVICE PARTS

**TR600 - GATHERER**  
 (Used After Serial No. 7725)



**WARNING - Order By Part Number - Do Not Use Illustration Reference Numbers**

**ALWAYS GIVE MODEL AND SERIAL NUMBER WHEN ORDERING SERVICE PARTS**

