

Form No.
907148
Replaces
906197

125

MIX-ALL®

PARTS MANUAL

GEHL® AGRICULTURE

Introduction

When ordering service parts, specify the correct part number, full description, quantity required, the unit model number and serial number.

The model number and serial number for this unit are located on the Frame member in the rear at the base of the Tank. The Swinging Auger Feeder model and serial number (on units so equipped) are also on a decal attached to the unit.

“Right” and “Left” are determined from a position standing behind the Mixer. From this position, the Concentrate Hopper is on the “left” side and the Feeder Attachment is on the “right” side.

GEHL® Company reserves the right to make changes or improvements in the design or construction of any part of the unit without incurring the obligation to install such changes on any previously delivered units.

NOTE: *On original tire replacement, company policy prohibits the sale of replacement tires for all GEHL machinery. Replacement Wheel Sets are available and tire size information is called out with the Wheel Sets to facilitate replacement tire selection. ALL REPLACEMENT TIRES MUST BE PURCHASED LOCALLY.*

Refer to the abbreviations table located on this page for the various fastener descriptions. Standard attaching hardware torque values are also provided on the inside back cover.

In the exploded view parts list, Reference Numbers may have additional information following the Reference Number.

A Tear Drop symbol will indicate an application of a “wet” product such as oil, and the number inside the Tear Drop will correspond to the description in the Parts List.

Also, a number inside a hexagon will be the torque value required, in foot pounds, on the associated Reference Number. Items shown in the parts list that do not have Reference Numbers are shown for reference purposes only and are NOT available for purchase.

Unless otherwise specified, all Cap Screws or Bolts are Grade 5, zinc plated; Hexagon Nuts for Grade 5 Screws or Bolts are Grade B; Hexagon Nuts for other Screws or Bolts are Grade A.

NOTE: *The following abbreviations may be used herein:*

AR	– As Required
ASSD	– Assembled
ASSY	– Assembly
CB	– Carriage Bolt
CP	– Cotter Pin
CS	– Cap Screw (Hexagon Head)
CTR	– Center
DEG	– Degree
DIA	– Diameter
FCS	– Flanged Cap Screw
FHMS	– Flat Head Machine Screw
FLN	– Flanged Lock Nut (Hexagon)
FR	– Feed Roll
FLS	– Flanged Lock Screw (Hexagon)
FW	– Flat Washer
GA	– Gauge
GF	– Gravity Feeder
GR	– Grade
HD	– Hard or Head
HHM	– Hexagon Head Machine
HN	– Hex Nut
JN	– Jam Nut
LN	– Lock Nut
LT	– Left
LW	– Lock Washer
M	– Metric
MM/mm	– Millimeter
NF	– National Fine
NILN	– Nylon Insert Lock Nut
PB	– Plow Bolt
PTO	– Power Take Off
RHMS	– Round Head Machine Screw
RPM	– Revolutions Per Minute
RT	– Right
SERR	– Serrated
SAF	– Swinging Auger Feeder
SAF/FR	– Swinging Auger Feeder/Feed Roll
SHCS	– Socket Head Cap Screw
SHSS	– Socket Head Set Screw
SN	– Serial Number or Slotted Nut
SQ	– Square
T	– Tooth or Teeth
TFS	– Thread Forming Screw
THMS	– Truss Head Machine Screw
THRD	– Thread
WLDMT	– Weldment
WN	– Wing Nut
#	– Number
	– Torque Required in foot pounds
	– Indicates a Fluid Application

TABLE OF CONTENTS

Introduction	Inside Front Cover
Table of Contents	1
Decal Locations	2-9
Frame, Axles & Hitchjack	10-11
Tank & Discharge Conveyor	12-13
Concentrate Hopper & Collector	14-15
Unloading Conveyor	16-17
Conveyor Winch	18-19
Implement Drive Line	20-21
Conveyor & Mixer Drive	22-23
Mill Frame, Cylinder & Blower	24-27
Drive Guards	28-29
Self-contained Hydraulics System	30-33
Hydraulic Components	34-35
Flow Control Valve	34
Flow Regulator	34
Gresen Selector Valve	34
Cross Selector Valve	34
Charlynn & Ross Motors	35
Universal Drives	36-37
Transmission	38
Hitchjack Components	39
Feeder Attachments	40-51
Swinging Auger Feeder (SAF)	40-43
Gravity Feeder (GF)	44-46
Swinging Auger Feeder w/Feed Roll (SAF/FR)	47-49
Feed Roll Feeder (FR)	50-51
Accessories	52-64
Folding Unloading Conveyor Extensions (4-Ft or 7-1/2 Ft)	52
Conveyor Extensions (1-Ft or 3-Ft)	53
Conveyor Extension Pivot	53
Electric Remote Unloading Conveyor Control	54-55
Auxiliary Remote Control	56
Winch Reduction Drive Kit	56
Control Box	57
Conveyor Worm Control	57
Molasses Attachment	58-59
Scale Kits (Models 1500, 2100, 3200)	60-61
Remote Scale Indicator	62
Audible & Visual Scale Alarms	62
Transport Lights	63
Scale Battery Mounting Kit	64
Fender Set	64
Double Bagger Attachment	64
Screens	65
Safety Chain	65
Alphabetical Index	66
Numerical Index	67-74
Standard Hardware Torque Specifications	Inside Back Cover

DECAL LOCATIONS

GENERAL INFORMATION

Decal Locations information is provided to assist in the proper selection and application of new decals, in the event the original decal(s) become(s) damaged or the machine is repainted. Refer to the listing for the illustration reference number, part number, description and quantity of each decal provided in the Kit. Refer to the appropriate illustration(s) for replacement location(s).

NOTE: Refer to the SAFETY Chapter of the Operator's Manual for the specific information provided on all of the various Safety Decals furnished in the Decal Kit(s).

To ensure proper selection for correct replacement decal(s), compare all of the various close-up location drawings to your machine BEFORE starting to refinish the unit. Then, circle each pictured decal (applicable to your machine) while checking off its part number in the listing. After you have verified all the decals needed for replacement, set aside unneeded decals for disposal.

NEW DECAL APPLICATION

Surfaces MUST be free from dirt, dust, grease and other foreign material before applying the new decal. To apply a solid-formed decal, remove the smaller portion of the decal backing paper and apply this part of the exposed adhesive backing to the clean surface while maintaining proper position and alignment. Slowly peel off the other portion of the backing paper while applying hand pressure to smooth out the decal surface.



CAUTION

ALWAYS read and abide by the Safety Rules and information shown on Decals. If Decal(s) become(s) damaged, unreadable or if the unit is repainted, the Decal(s) MUST be replaced. If repainting, MAKE SURE ALL Decals which apply to your machine are properly affixed to your unit in their proper locations.

PAINT NOTICE

Use this list to order paint for refinishing machines with agricultural red and grey color scheme:

906315	One Gal. AG Red
902872	One Qt. Light Grey
906316	6 (12 oz. Spray Cans) AG Red
902874	6 (12 oz. Spray Cans) Light Grey

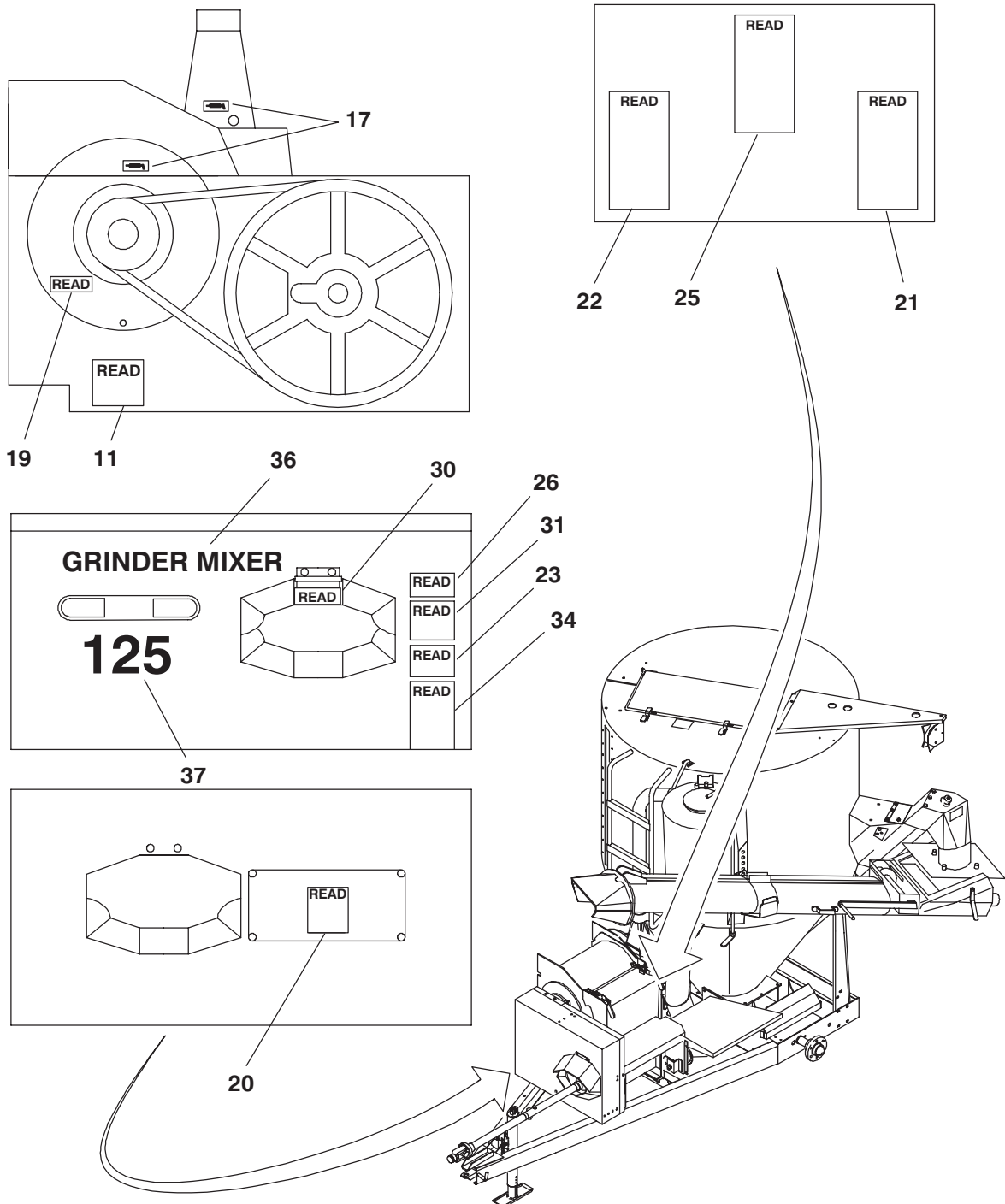
Use this list to order paint for refinishing machines with blaze red and maize (yellow) color scheme:

901225	One Gal. Blaze Paint
901226	One Gal. Maize Paint
610239	6 (12 oz. Spray Cans) Blaze Paint
610240	6 (12 oz. Spray Cans) Maize Paint

The Decal Set Number for the MX125 Mixer is 112419. The Set includes the following:

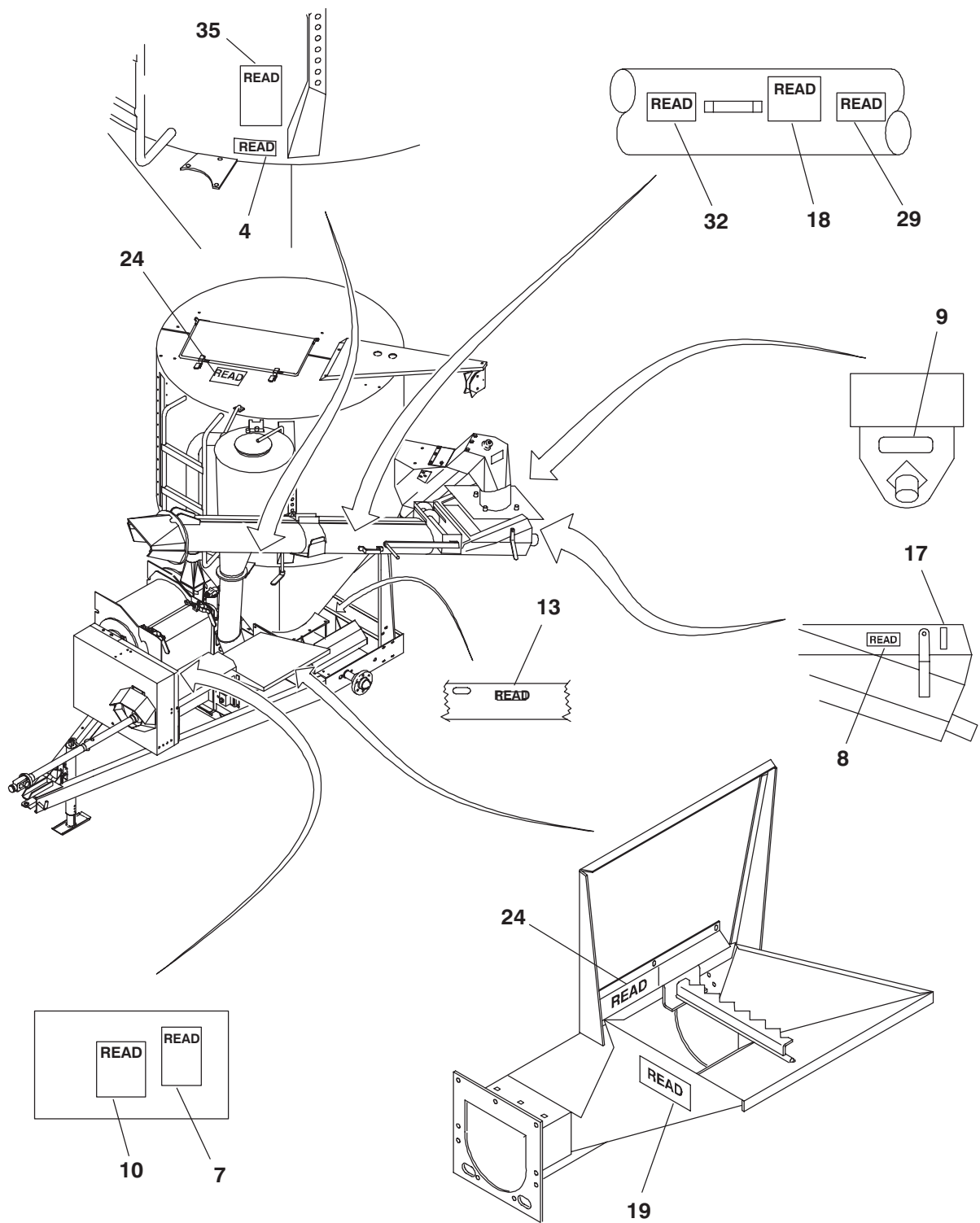
Ref. No.	Part No.	Description & Quantity
01	064873	Wide Friction Surface Strip (2 Places)
02	064874	Narrow Friction Surface Strip (4 Places)
03	065006	Valve ON-OFF
04	065008	Collector OPEN-CLOSED
05	065009	Front Crank OPEN-CLOSED
06	065010	Rear Crank CLOSED-OPEN
07	065011	Belt Tension Adjustment
08	065012	Brake Engagement
09	067493	Red Reflector Strip (2 Places)
10	069080	Auger Drive Shear Bolts
11	069081	Main Drive Shear Bolts
12	069240	Feed Capacity Chart
13	069251	Patent - (Replace if desired) <u>Not Shown</u>
14	072313	Decal - Filter (less Gauge) Use
15	074695	Wiring Diagram (Remote Controls) <u>Not Shown</u>
16	091444	DANGER - Rotating Drive Line
17	093020	Lubrication Symbol (6 Places; 1 location <u>Not Shown</u> on Remote Controls)
18	093202	DANGER - Avoid Electrical Contact
19	093365	WARNING - Close or Replace Guard (6 Places; 2 locations <u>Not Shown</u> on Remote Controls)
20	093366	IMPORTANT - Store Manual Here
21	093367	WARNING - Owner's Responsibility & Read Manual
22	093373	WARNING - General Safety Precautions
23	093374	WARNING - Highway Towing Precautions
24	093376	WARNING - Keep Hands Out (3 Places)

Ref. No.	Part No.	Description & Quantity
25	093378	DANGER - Rotating Components
26	093436	WARNING - Implement Hitchpin
27	093466	WARNING - 540 RPM Operation Only
	093465	WARNING - 1000 RPM Operation Only
28	093490	WARNING - Transport Latch Pin (4 & 7-1/2-ft. Extensions)
29	093491	WARNING - Winch Brake
30	093492	WARNING - Clutch Pin Engagement
31	093493	WARNING - Sheave Identification
32	093494	WARNING - Transport Latch Pin
33	093495	WARNING - Do NOT Combine with 7-1/2 ft. Extension (3-ft. Conveyor Extension)
34	093653	WARNING - Rotating Drive Line
35	094226	Mixer Instructions
36	112369	Grinder Mixer
37	112370	125 Colorbar (2 Places)
38	112373	GEHL Mix-All (2 Places)
39	126757	Stripe



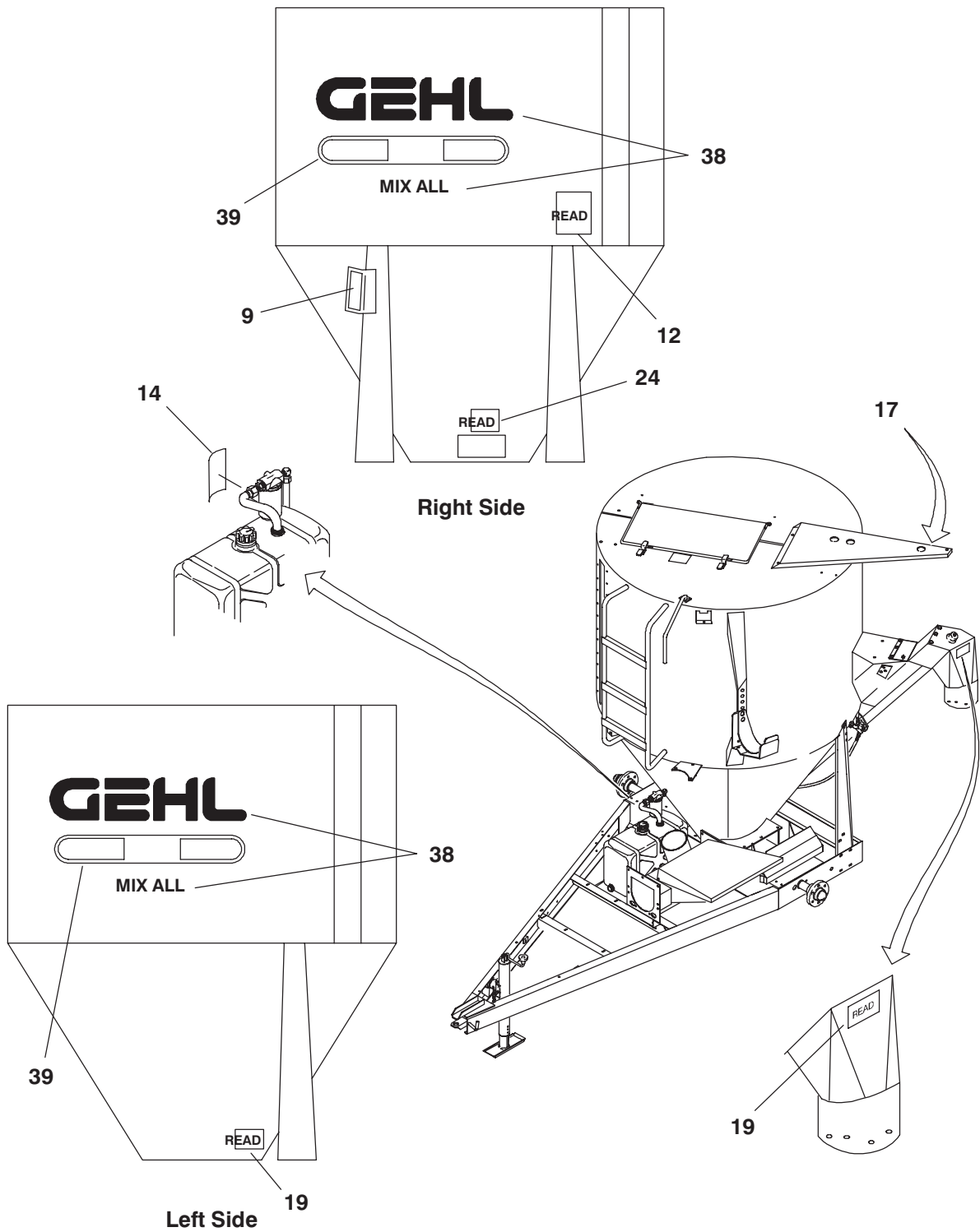
NOTE: This list is a repeat of the Decal List on a previous page and is provided for your convenience when selecting Decals from the second page of illustrations.

Ref. No.	Part No.	Description & Quantity
01	064873	Wide Friction Surface Strip (2 Places)
02	064874	Narrow Friction Surface Strip (4 Places)
03	065006	Valve ON-OFF
04	065008	Collector OPEN-CLOSED
05	065009	Front Crank OPEN-CLOSED
06	065010	Rear Crank CLOSED-OPEN
07	065011	Belt Tension Adjustment
08	065012	Brake Engagement
09	067493	Red Reflector Strip (2 Places)
10	069080	Auger Drive Shear Bolts
11	069081	Main Drive Shear Bolts
12	069240	Feed Capacity Chart
13	069251	Patent - (Replace if desired) <u>Not Shown</u>
14	072313	Decal - Filter (less Gauge) Use
15	074695	Wiring Diagram (Remote Controls) <u>Not Shown</u>
16	091444	DANGER - Rotating Drive Line
17	093020	Lubrication Symbol (6 Places; 1 location <u>Not Shown</u> on Remote Controls)
18	093202	DANGER - Avoid Electrical Contact
19	093365	WARNING - Close or Replace Guard (6 Places; 2 locations <u>Not Shown</u> on Remote Controls)
20	093366	IMPORTANT - Store Manual Here
21	093367	WARNING - Owner's Responsibility & Read Manual
22	093373	WARNING - General Safety Precautions
23	093374	WARNING - Highway Towing Precautions
24	093376	WARNING - Keep Hands Out (3 Places)
25	093378	DANGER - Rotating Components
26	093436	WARNING - Implement Hitchpin
27	093466	WARNING - 540 RPM Operation Only
	093465	WARNING - 1000 RPM Operation Only
28	093490	WARNING - Transport Latch Pin (4 & 7-1/2-ft. Extensions)
29	093491	WARNING - Winch Brake
30	093492	WARNING - Clutch Pin Engagement
31	093493	WARNING - Sheave Identification
32	093494	WARNING - Transport Latch Pin
33	093495	WARNING - Do NOT Combine with 7-1/2 ft. Extension (3-ft. Conveyor Extension)
34	093653	WARNING - Rotating Drive Line
35	094226	Mixer Instructions
36	112369	Grinder Mixer
37	112370	125 Colorbar (2 Places)
38	112373	GEHL Mix-All (2 Places)
39	126757	Stripe



NOTE: This list is a repeat of the Decal List on a previous page and is provided for your convenience when selecting Decals from the second page of illustrations.

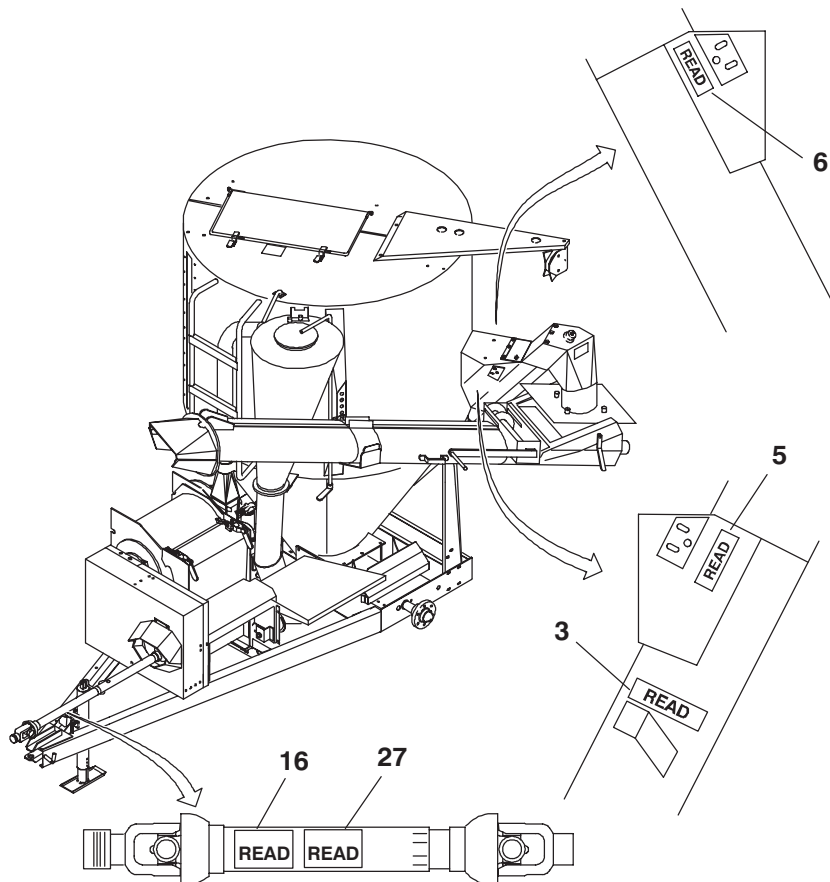
Ref. No.	Part No.	Description & Quantity
01	064873	Wide Friction Surface Strip (2 Places)
02	064874	Narrow Friction Surface Strip (4 Places)
03	065006	Valve ON-OFF
04	065008	Collector OPEN-CLOSED
05	065009	Front Crank OPEN-CLOSED
06	065010	Rear Crank CLOSED-OPEN
07	065011	Belt Tension Adjustment
08	065012	Brake Engagement
09	067493	Red Reflector Strip (2 Places)
10	069080	Auger Drive Shear Bolts
11	069081	Main Drive Shear Bolts
12	069240	Feed Capacity Chart
13	069251	Patent - (Replace if desired) <u>Not Shown</u>
14	072313	Decal - Filter (less Gauge) Use
15	074695	Wiring Diagram (Remote Controls) <u>Not Shown</u>
16	091444	DANGER - Rotating Drive Line
17	093020	Lubrication Symbol (6 Places; 1 location <u>Not Shown</u> on Remote Controls)
18	093202	DANGER - Avoid Electrical Contact
19	093365	WARNING - Close or Replace Guard (6 Places; 2 locations <u>Not Shown</u> on Remote Controls)
20	093366	IMPORTANT - Store Manual Here
21	093367	WARNING - Owner's Responsibility & Read Manual
22	093373	WARNING - General Safety Precautions
23	093374	WARNING - Highway Towing Precautions
24	093376	WARNING - Keep Hands Out (3 Places)
25	093378	DANGER - Rotating Components
26	093436	WARNING - Implement Hitchpin
27	093466	WARNING - 540 RPM Operation Only
	093465	WARNING - 1000 RPM Operation Only
28	093490	WARNING - Transport Latch Pin (4 & 7-1/2-ft. Extensions)
29	093491	WARNING - Winch Brake
30	093492	WARNING - Clutch Pin Engagement
31	093493	WARNING - Sheave Identification
32	093494	WARNING - Transport Latch Pin
33	093495	WARNING - Do NOT Combine with 7-1/2 ft. Extension (3-ft. Conveyor Extension)
34	093653	WARNING - Rotating Drive Line
35	094226	Mixer Instructions
36	112369	Grinder Mixer
37	112370	125 Colorbar (2 Places)
38	112373	GEHL Mix-All (2 Places)
39	126757	Stripe



NOTE: This list is a repeat of the Decal List on a previous page and is provided for your convenience when selecting Decals from this page of illustrations.

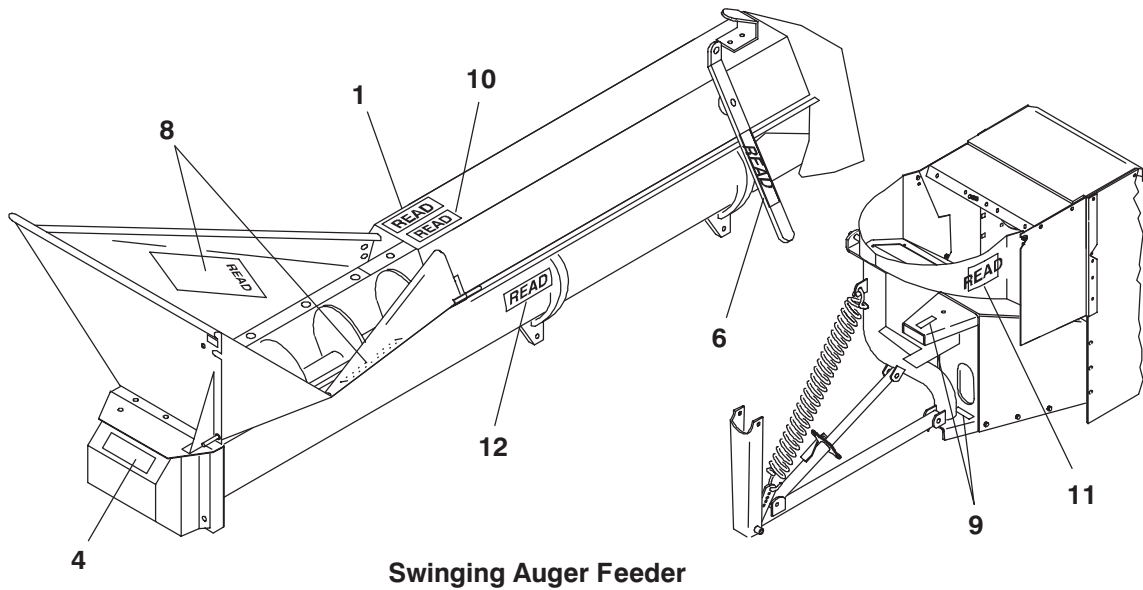
Ref. No.	Part No.	Description & Quantity
01	064873	Wide Friction Surface Strip (2 Places)
02	064874	Narrow Friction Surface Strip (4 Places)
03	065006	Valve ON-OFF
04	065008	Collector OPEN-CLOSED
05	065009	Front Crank OPEN-CLOSED
06	065010	Rear Crank CLOSED-OPEN
07	065011	Belt Tension Adjustment
08	065012	Brake Engagement
09	067493	Red Reflector Strip (2 Places)
10	069080	Auger Drive Shear Bolts
11	069081	Main Drive Shear Bolts
12	069240	Feed Capacity Chart
13	069251	Patent - (Replace if desired) <u>Not Shown</u>
14	072313	Decal - Filter (less Gauge) Use
15	074695	Wiring Diagram (Remote Controls) <u>Not Shown</u>
16	091444	DANGER - Rotating Drive Line
17	093020	Lubrication Symbol (6 Places; 1 location <u>Not Shown</u> on Remote Controls)
18	093202	DANGER - Avoid Electrical Contact

19	093365	WARNING - Close or Replace Guard (6 Places; 2 locations <u>Not Shown</u> on Remote Controls)
20	093366	IMPORTANT - Store Manual Here
21	093367	WARNING - Owner's Responsibility & Read Manual
22	093373	WARNING - General Safety Precautions
23	093374	WARNING - Highway Towing Precautions
24	093376	WARNING - Keep Hands Out (3 Places)
25	093378	DANGER - Rotating Components
26	093436	WARNING - Implement Hitchpin
27	093466	WARNING - 540 RPM Operation Only
	093465	WARNING - 1000 RPM Operation Only
28	093490	WARNING - Transport Latch Pin (4 & 7-1/2-ft. Extensions)
29	093491	WARNING - Winch Brake
30	093492	WARNING - Clutch Pin Engagement
31	093493	WARNING - Sheave Identification
32	093494	WARNING - Transport Latch Pin
33	093495	WARNING - Do NOT Combine with 7-1/2 ft. Extension (3-ft. Conveyor Extension)
34	093653	WARNING - Rotating Drive Line
35	094226	Mixer Instructions
36	112369	Grinder Mixer
37	112370	125 Colorbar (2 Places)
38	112373	GEHL Mix-All (2 Places)
39	126757	Stripe

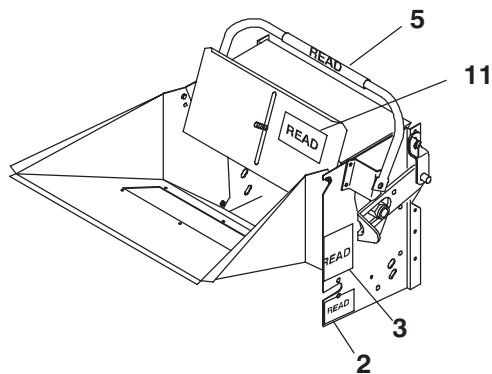


The Decal Set number for the GF (Gravity Feeder), FR (Feed Roll), SAF (Swinging Auger Feeder) and combination SAFR (Swinging Auger Feeder-Feed Roll) Attachments is 117498. The Set includes the following:

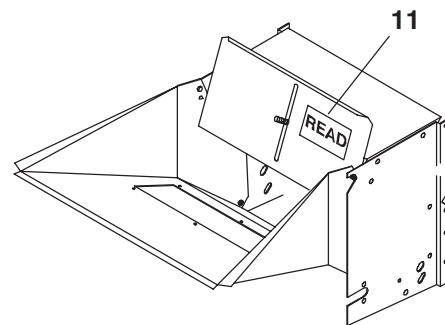
Ref. No.	Part No.	Description & Quantity
01	065194	FAST-SLOW (SAF or SAFR)
02	065475	Auger-Feeder Motor ENGAGE-DISENGAGE (SAFR ONLY)
03	065476	FR Operating Instructions (SAFR ONLY)
04	067493	Red Reflector Strip (2 Places)
05	072158	PUSH TO STOP (FR & SAFR)
06	075923	STOP (SAF After SN10,000) (2 Places)
07	081144	Decorative Stripe (Early Style) <u>Not Shown</u>
08	091442	DANGER - Rotating Auger (SAF & SAFR) (2 Places)
09	093020	Lubrication Symbol (SAF & SAFR)
10	093365	WARNING - Close or Replace Guard (SAF & SAFR)
11	093376	WARNING - Keep Hands Out
12	093494	WARNING - Transport Latch Pin (SAF & SAFR)



Swinging Auger Feeder

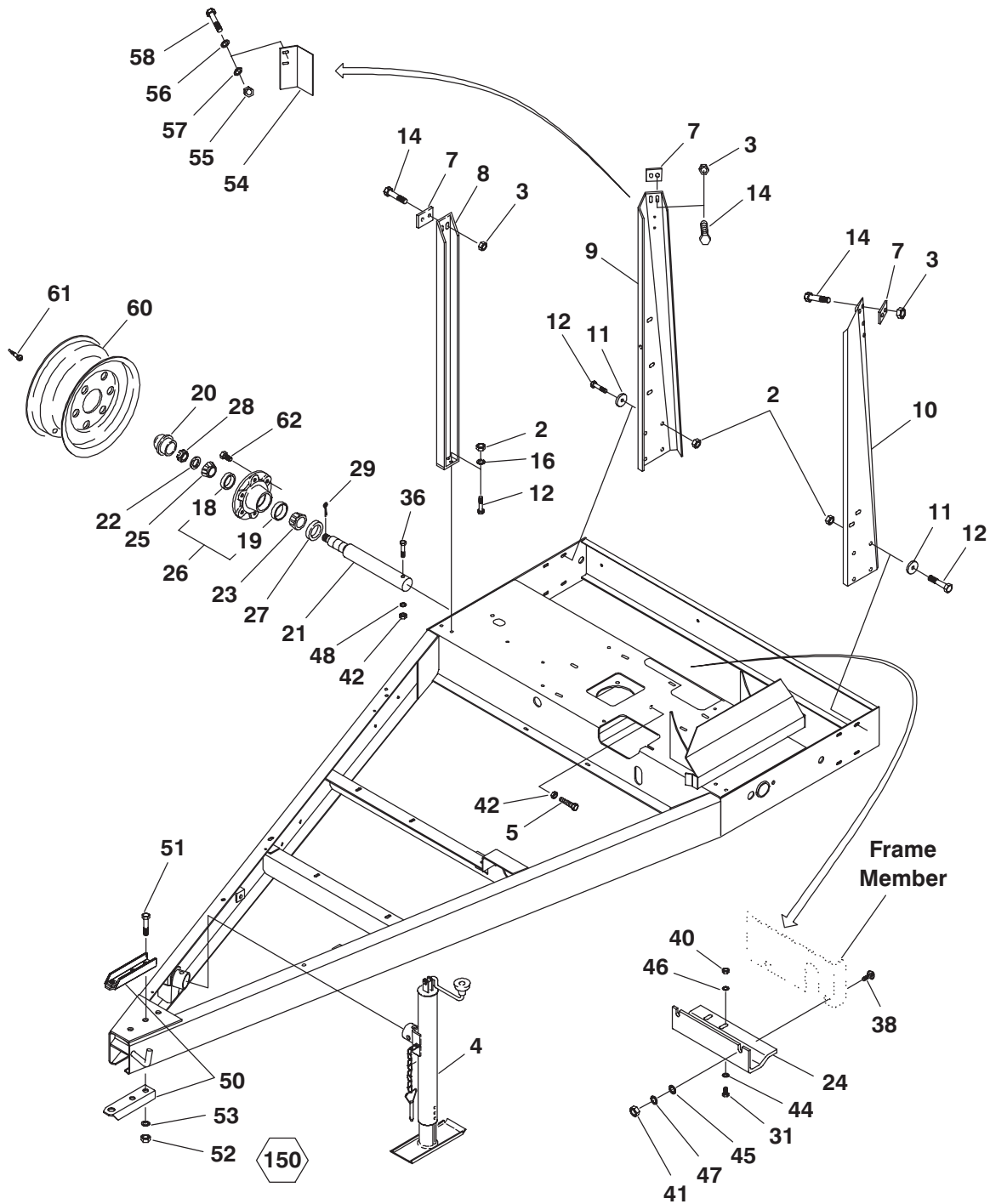


Feed Roll



Gravity Feeder

MX125 - FRAME, AXLES & HITCHJACK

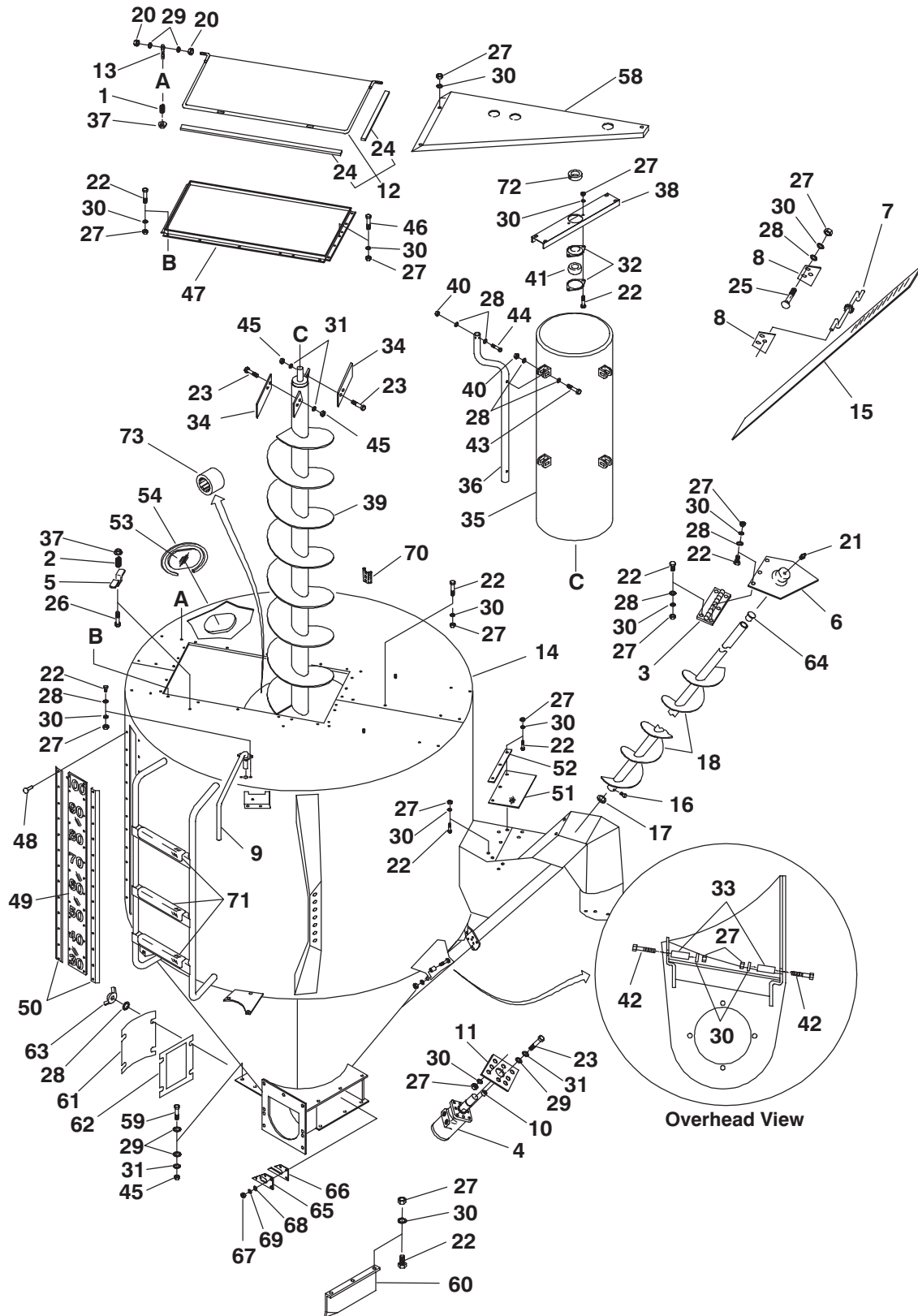


MX125 - FRAME, AXLES & HITCHJACK

Ref. No.	Part No.	Description	Qty. Req.	Ref. No.	Part No.	Description	Qty. Req.
02	067847	NILN 3/8	10	31	650487	CS 5/16X1	2
03	068034	NILN 1/2	6	36	650644	CS 1/2X3	2
04	143469 _a	JACK/ASSY	1	38	650786	CB 3/8X1-1/4	2
05	062342	BOLT/SPECIAL 1/2X3-1/2	1	40	653007	HN 5/16	2
07	079382	CLAMP/LEG	3	41	653010	HN 3/8	2
08	079383	LEG/MIXER FRONT	1	42	653018	HN 1/2	3
09	079385	LEG/MIXER RIGHT	1	44	654004	FW 5/16	2
10	079386	LEG/MIXER LEFT	1	45	654006	FW 3/8	2
11	080926	FW 13/32	8	46	654024	LW 5/16	2
12	650490	CS 3/8X1	10	47	654026	LW 3/8	2
14	650495	CS 1/2X1-1/4	6	48	654030	LW 1/2	2
16	654006	FW 3/8	2	50	066711	CLIP/DRAWBAR	2
18	520054	CUP/BEARING	2	51	650406	CS 3/4X4-1/2	2
19	520199	CUP/BEARING	2	52	653026	HN 3/4	2
20	058421	CAP/GREASE	2	53	654034	LW 3/4	2
21	064465	SPINDLE	2	54	081744	BRACKET/REFLECTOR (USED ONLY ON <u>GF</u> OR <u>FR</u> UNITS WITHOUT SAF)	1
22	066717	FW 31/32	2	55	653005	HN 1/4	2
23	520200	CONE/BEARING	2	56	654002	FW 1/4	2
24	071934	SHIELD/TRANSMISSIONSPROCKET ..	1	57	654022	LW 1/4	2
25	520201	CONE/BEARING	2	58	650448	CS 1/4X3/4	2
26	048134	HUB/WHEEL	2	60	126740	WHEEL/RIM 15X8	2
27	550074	SEAL/GREASE	2	61	045581	VALVE/TIRE	2
28	653102	HN SLTD 7/8	2	62	550041	BOLT/WHEEL	12
29	655020	CP 3/16X1-1/2	2				

a) See 'Hitchjack' page for breakdown.

MX125 - TANK & DISCHARGE CONVEYOR



MX125 - TANK & DISCHARGE CONVEYOR

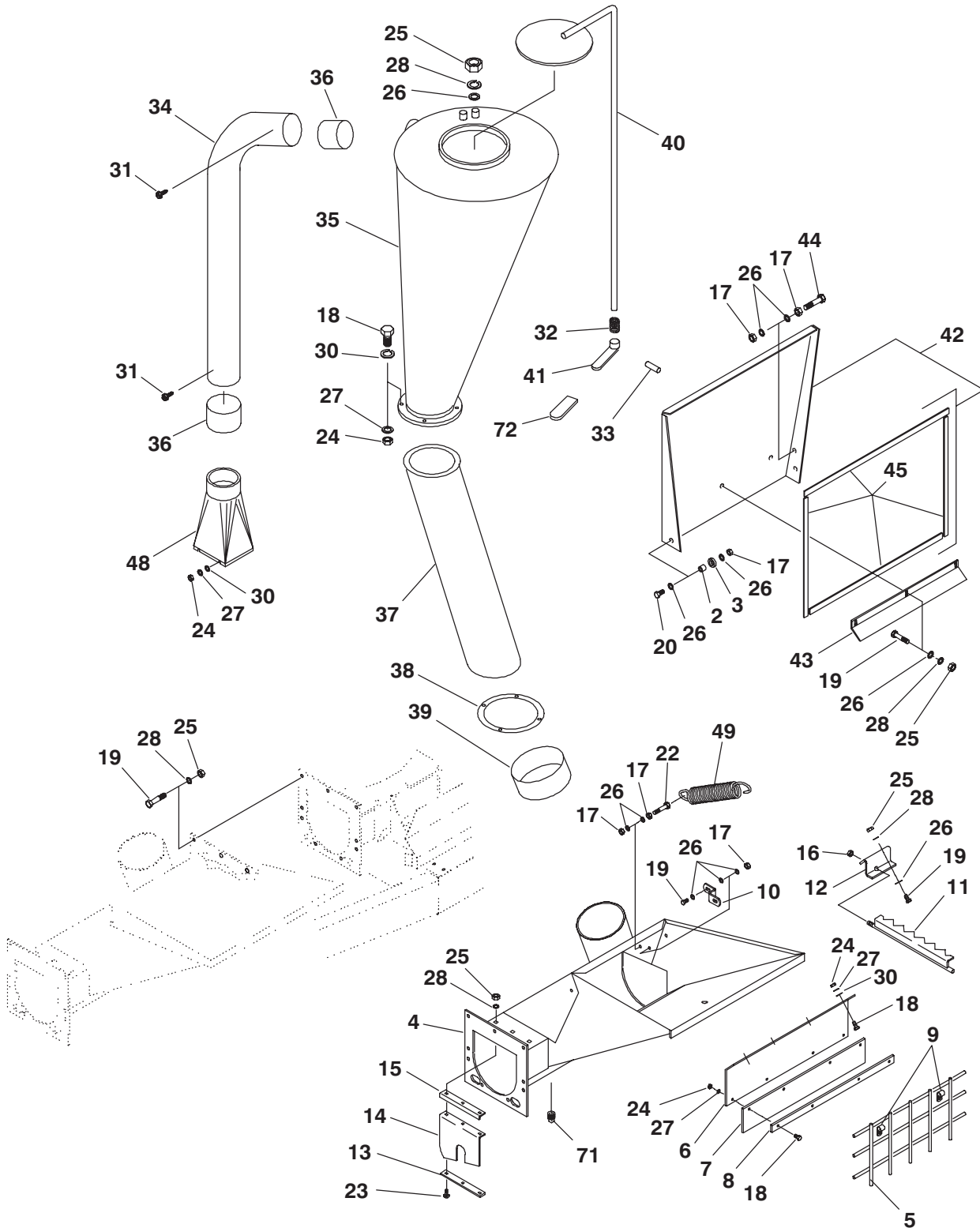
Ref. No.	Part No.	Description	Qty. Req.	Ref. No.	Part No.	Description	Qty. Req.
01	A162	SPRING/ROLLER GUARD	2	38	064614	SUPPORT/MIXING AUGER	1
02	A262	SPRING/RATCHET DOG	2	39	069753 _c	AUGER/MIXING	1
03	H8228	HINGE/DIVIDER LID	1	40	071701	LN 5/16	12
04	048961 _a	MOTOR/HYDRAULIC	1	41	520063	BEARING/BALL	1
05	064615	LATCH/COVER	2	42	650545	CS 5/16X1-1/4	2
06	064623	COVER/SPOUT ASSY	1	43	650568	CS 5/16X2	8
07	064630	CRANK/SLIDE ASSY	1	44	650692	CS 5/16X1-3/4	4
08	064633	BRACKET/CRANK	2	45	653010	HN 3/8	14
09	064636	VENT/TANK ASSY	1	46	650487	CS 5/16X1	4
10	064639	BUSHING	4	47	076791	FLANGE/ASSY	1
11	064640	MOUNT/MOTOR	1	48	064590	RIVET/BLIND	52
12	065242 _b	LID/COVER ASSY	1	49	112377	WINDOW/CALIBRATION	2
13	065811	EYEBOLT	2	50	064593	FRAME/WINDOW	4
14	079387	TANK/ASSY	1	51	064634	COVER/SLIDE	1
15	070073	SLIDE/UPPER	1	52	064635	CLAMP/SLIDE COVER	1
16	071538	SHCS 5/16X3/8	1	53	081251	WINDOW/VIEWING	1
17	071539	RING/RETAINING	1	54	081252	WEATHERSTRIP/WINDOW	1
18	071540	CONVEYOR/AUXILIARY	1	58	095104	ARM/CONVEYOR SUPPORT ASSY	1
20	071703	LN 3/8	4	59	650491	CS 3/8X1-1/4	6
21	570021	FITTING/GREASE	1	60	064493	EXTENSION	1
22	650486	CS 5/16X3/4	49	61	064597	COVER/CLEANOUT	1
23	650490	CS 3/8X1	8	62	064598	GASKET/CLEANOUT	1
24	069166	KIT/SEAL	1	63	653094	WN 5/16	4
25	650687	CB 5/16X3/4	4	64	067567	PLUG/HOLE	1
26	650733	CS 5/16X2-1/2	2	65	064594	SEAL/INTAKE AUGER	1
27	653007	HN 5/16	67	66	066673	RETAINER/SEAL	1
28	654004	FW 5/16	41	67	653005	HN 1/4	4
29	654006	FW 3/8	25	68	654002	FW 1/4	4
30	654024	LW 5/16	67	69	654022	LW 1/4	4
31	654026	LW 3/8	18	70	047269	SOCKET/SIGN MOUNT	1
32	B11335	RETAINER/BEARING	2	71	064874	SHEET/LADDER SAFETY STEP	3
33	R13055	SPACER/DEFLECTOR	2	72	520084	COLLAR/BEARING	1
34	040310	PADDLE/MIXER	2	73	069297	COUPLING/SPLINE	1
35	064610	TUBE/MIXING ASSY	1				
36	064613	PIPE/TUBE SUPPORT	4				
37	210-31017	FLN 5/16	2				

a) See 'Hydraulic Components' page for further breakdown.

b) Includes Decal 072150.

c) For repair of coupling use Item 73.

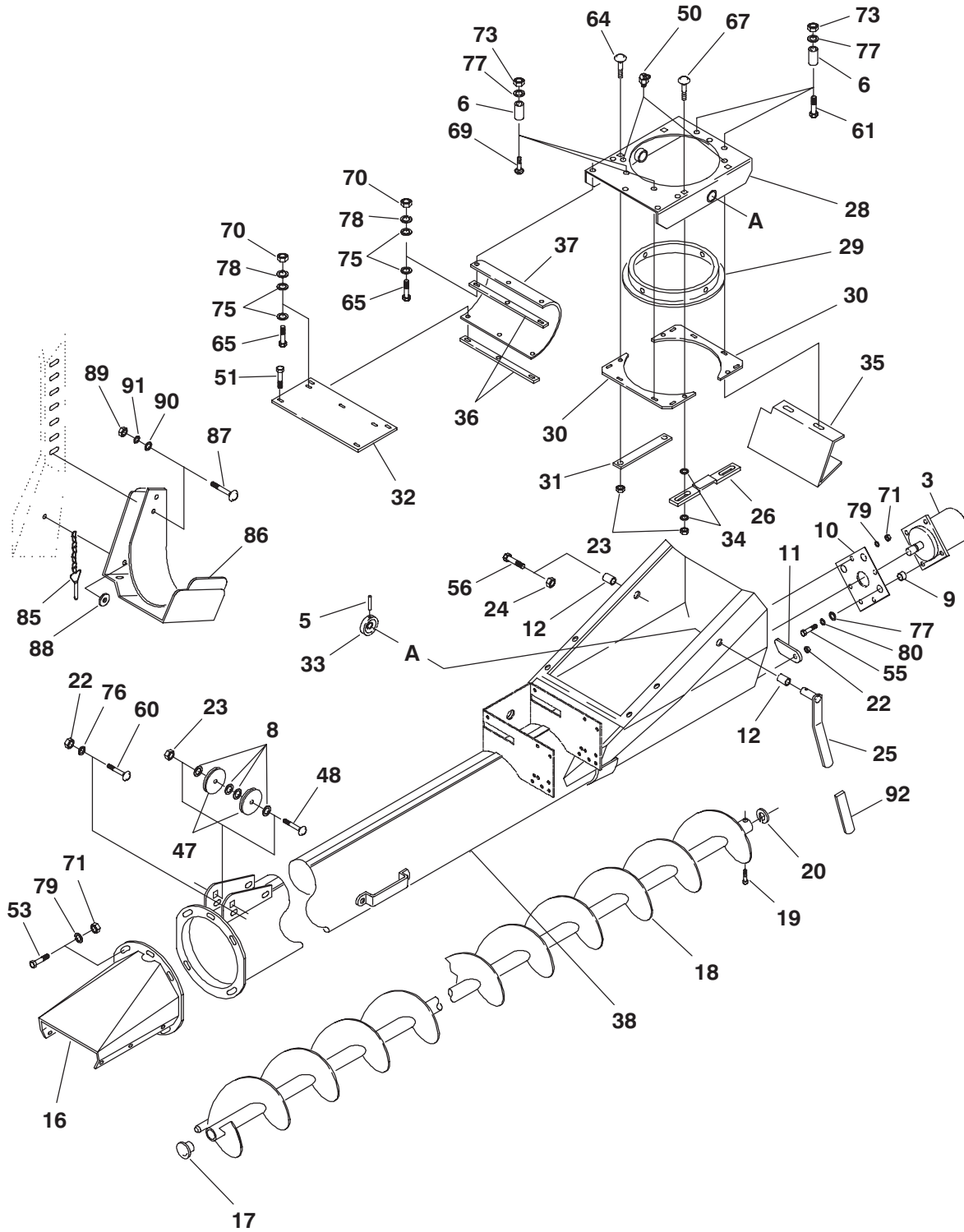
MX125 - CONCENTRATE HOPPER & COLLECTOR



MX125 - CONCENTRATE HOPPER & COLLECTOR

Ref. No.	Part No.	Description	Qty. Req.	Ref. No.	Part No.	Description	Qty. Req.
02	R13055	SPACER/DEFLECTOR	2	27	654022	LW 1/4	16
03	058201	SPACER	2	28	654024	LW 5/16	19
04	064766	HOPPER/CONCENTRATE ASSY	1	30	654002	FW 1/4	12
05	064779	GUARD/HOPPER ASSY	1	31	052048	HEX HEAD #10X1/2 W/DRILL POINT ...	2
06	064782	SHIELD/DUST	1	32	056227	SPRING/COMPRESSION	1
07	064783	FLAP/DUST	1	33	056915	PIN/SPRING	1
08	064784	RETAINER/DUST FLAP	1	34	064843	ELBOW/DUST COLLECTOR	1
09	064785	CLAMP/HOSE	2	35	064844	COLLECTOR/DUST ASSY	1
10	064786	RETAINER/GUARD	1	36	118451	BAND/RUBBER (LATER STYLE)	2
11	064787	BREAKER/BAG ASSY	1		064853	TAPE/RED CLOTH (EARLY STYLE)	2
12	064790	SUPPORT/BREAKER	1	37	064854	PIPE/OUTLET	1
13	064793	CLAMP/BAFFLE	1	38	064855	FLANGE/PIPE	1
14	064794	BAFFLE	1	39	118452	BAND/RUBBER (LATER STYLE)	1
15	064795	STOP/BAFFLE	1		064853	TAPE/RED CLOTH (EARLY STYLE)	1
16	071700	LN 1/4	1	40	064856	COVER/ASSY	1
17	071701	LN 5/16	6	41	064859	HANDLE/LATCH ASSY	1
18	650448	CS 1/4X3/4	12	42	065246	COVER/HOPPER	1
19	650486	CS 5/16X3/4	14	43	064792	STOP/COVER	1
20	650487	CS 5/16X1	2	44	650545	CS 5/16X1-1/4	1
22	650568	CS 5/16X2	1	45	064797	SEAL	4
23	650573	CB 5/16X1	3	48	064841	OUTLET/BLOWER ASSY	1
24	653005	HN 1/4	16	49	9H346	SPRING/SHIFTER RELEASE	1
25	653007	HN 5/16	20	71	071964	PLUG	2
26	654004	FW 5/16	18	72	062282	GRIP	1

MX125 - UNLOADING CONVEYOR

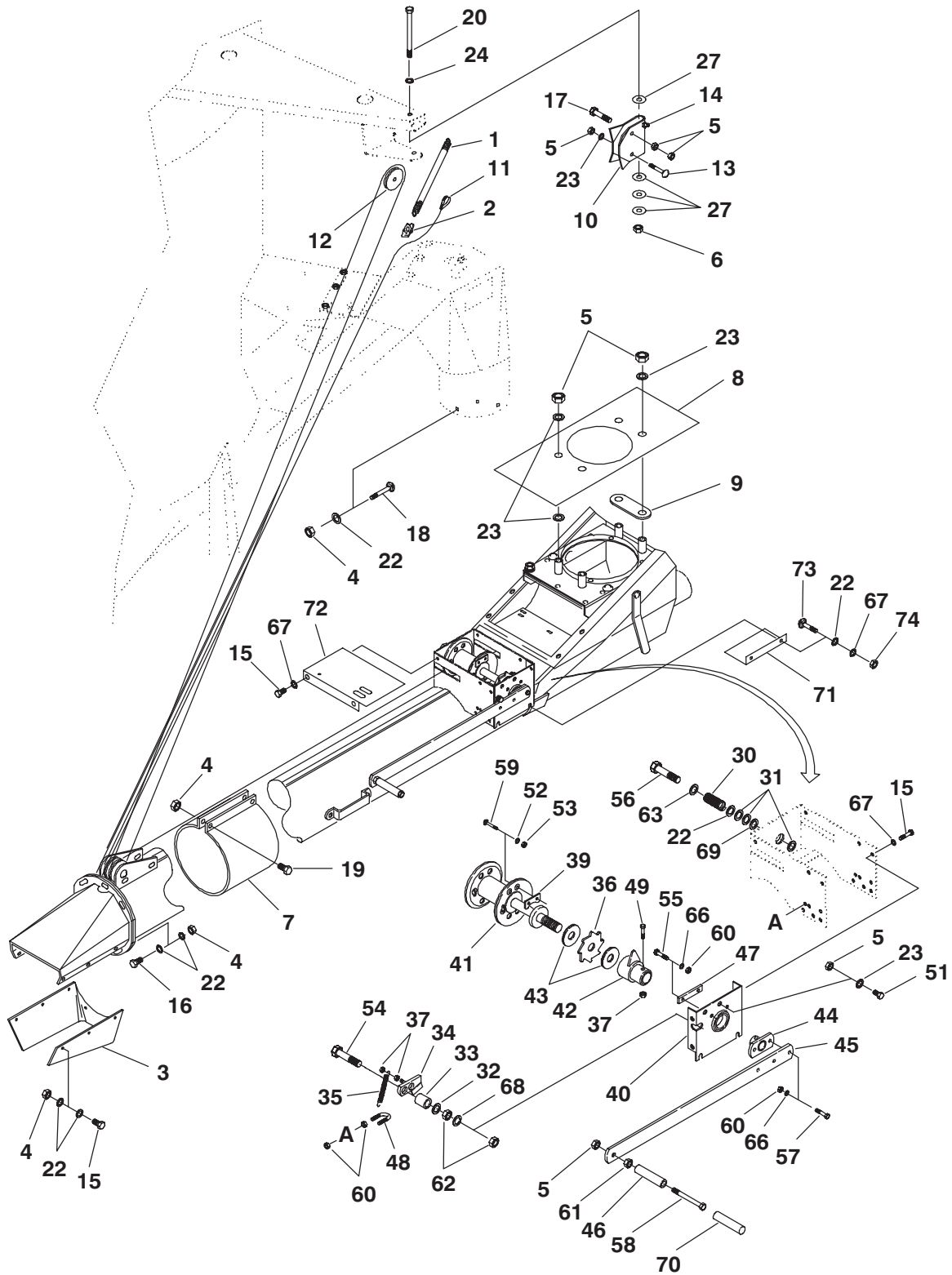


MX125 - UNLOADING CONVEYOR

Ref. No.	Part No.	Description	Qty. Req.	Ref. No.	Part No.	Description	Qty. Req.
03	048961 _a	MOTOR/HYDRAULIC - CHARLYNN	1	48	082232	CB 3/8X3-1/2	1
	056202 _a	MOTOR/HYDRAULIC - ROSS	1	50	570009	FITTING/GREASE	2
05	050270	PIN/SPRING	1	51	650315	THMS 1/4X1/2	4
06	056378	SPACER	4	53	650486	CS 5/16X3/4	2
08	058876	FW 13/32	4	55	650490	CS 3/8X1	4
09	064639	BUSHING	4	56	650502	CS 1/2X2-1/4	1
10	064640	MOUNT/MOTOR	1	60	650573	CB 5/16X1	2
11	064931	COVER/DRAIN	1	61	650629	CS 3/8X3-1/4	2
12	064944	SPACER/ROLLED	2	64	650786	CB 3/8X1-1/4	2
16	064991	END CAP/CONVEYOR	1	65	650835	CS 1/4X1	6
17	067234	PLUG/RUBBER	1	67	650860	CB 3/8X1-3/4	2
18	071534	CONVEYOR/UNLOADING	1	69	652059	CB 3/8X3-1/4	2
19	071538	SHCS 5/16X3/8	1	70	653005	HN 1/4	6
20	071539	RING/RETAINING	1	71	653007	HN 5/16	6
22	071701	LN 5/16	3	73	653038	HJN 3/8	4
23	071703	LN 3/8	5	75	654002	FW 1/4	12
24	071706	LN 1/2	1	76	654004	FW 5/16	2
25	073551	HANDLE/CAM	1	77	654006	FW 3/8	8
26	073553	SHOE/BRAKE	1	78	654022	LW 1/4	6
28	073563	PLATE/LOWER PIVOT	1	79	654024	LW 5/16	6
29	073566	FLANGE/PIVOT SUPPORT	1	80	654026	LW 3/8	4
30	073569	PLATE/SPACER	2	85	064861	PIN/HITCH	1
31	073570	TIE/PIVOT PLATE	1	86	073548	SUPPORT/CONVEYOR	1
32	073571	SHIELD/TROUGH	1	87	650527	CB 1/2X1-1/4	2
33	073572	CAM/BRAKE	1	88	650848	FW #6	1
34	073691	FW 13/32	3	89	653018	HN 1/2	2
35	074600	BAFFLE	1	90	654009	FW 1/2	2
36	074722	CLAMP/HOPPER COVER FRT	2	91	654030	LW 1/2	2
37	079372	COVER/HOPPER FRT MANUAL	1	92	062282	GRIP	1
38	081061	HOUSING/UNLOADING CONVEYOR	1				
47	081092	PULLEY	2				

a) See 'Hydraulics Components' page for further breakdown.

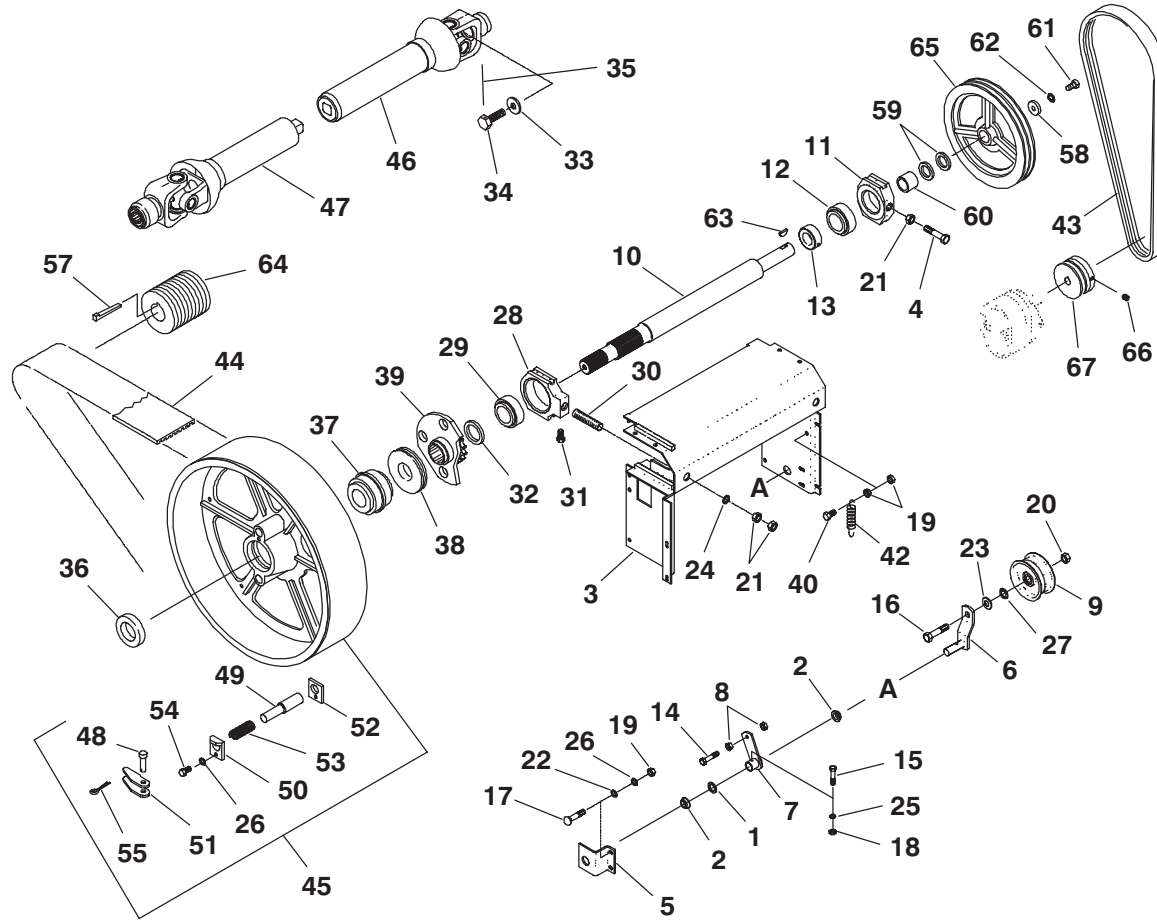
MX125 - CONVEYOR WINCH



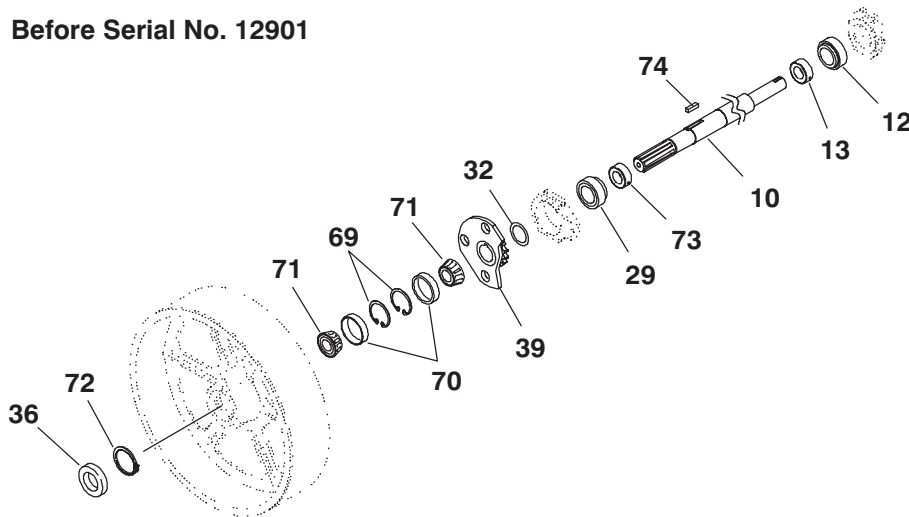
MX125 - CONVEYOR WINCH

Ref. No.	Part No.	Description	Qty. Req.	Ref. No.	Part No.	Description	Qty. Req.
01	17H390	SPRING/COVER	1	40	081066	PLATE/RATCHET	1
02	056061	CLAMP/CABLE	1	41	081068	DRUM/WINCH	1
03	064993	WINDSHIELD/END	1	42	081069	NUT/WINCH	1
04	071701	LN 5/16	18	43	081073	DISK/FRICTION	2
05	071703	LN 3/8	9	44	081074	BRACKET/HANDLE	1
06	071706	LN 1/2	1	45	081081	HANDLE/WINCH	1
07	073556	COLLAR/CONVEYOR	1	46	081082	GRIP/WINCH HANDLE	1
08	073562	COVER/HOPPER	1	47	081084	CLAMP	1
09	079373	BRACKET/COVER	1	48	082769	U-BOLT	1
10	081007	BRACKET/SWIVEL	1	49	650419	CS 1/4X1-3/4	1
11	081049	CABLE/ASSY	1	51	650488	CS 3/8X3/4	1
12	081092	PULLEY	1	52	650549	LW #10	2
13	082231	CB 3/8X2-1/4	1	53	650550	HN MS #10-24	2
14	570021	FITTING/GREASE	1	54	650572	CS 5/8X2-3/4	1
15	650486	CS 5/16X3/4	10	55	650663	CS 1/4X5/8	2
16	650487	CS 5/16X1	2	56	650706	CS 1/4X2	1
17	650528	CS 3/8X2	1	57	650835	CS 1/4X1	2
18	650687	CB 5/16X3/4	8	58	650851	CS 3/8X4-1/2	1
19	650725	CS 5/16X2-1/4	2	59	650975	CB #10X3/4	2
20	650887	CS 1/2X7	1	60	653005	HN 1/4	8
22	654004	FW 5/16	27	61	653010	HN 3/8	1
23	654006	FW 3/8	9	62	653047	HJN 5/8	2
24	654009	FW 1/2	1	63	654002	FW 1/4	1
27	112760	FW 17/32	4	66	654022	LW 1/4	4
30	A262	SPRING/RATCHET DOG	1	67	654024	LW 5/16	10
31	B11162	FW 25/32	3	68	654032	LW 5/8	1
32	049354	FW 21/32	1	69	052501	FW 29/32	1
33	056820	SPACER	1	70	062282	GRIP	1
34	064959	PAWL/ASSY	1	71	081060	GUARD	1
35	064961	SPRING/EXTENSION	1	72	081079	COVER/WINCH BRACKET ASSY	1
36	064965	RATCHET/WINCH	1	73	650754	CB 5/16X1/2	2
37	071700	LN 1/4	3	74	653007	HN 5/16	2
39	073561	RETAINER/CABLE	1				

MX125 - IMPLEMENT DRIVE LINE



Before Serial No. 12901

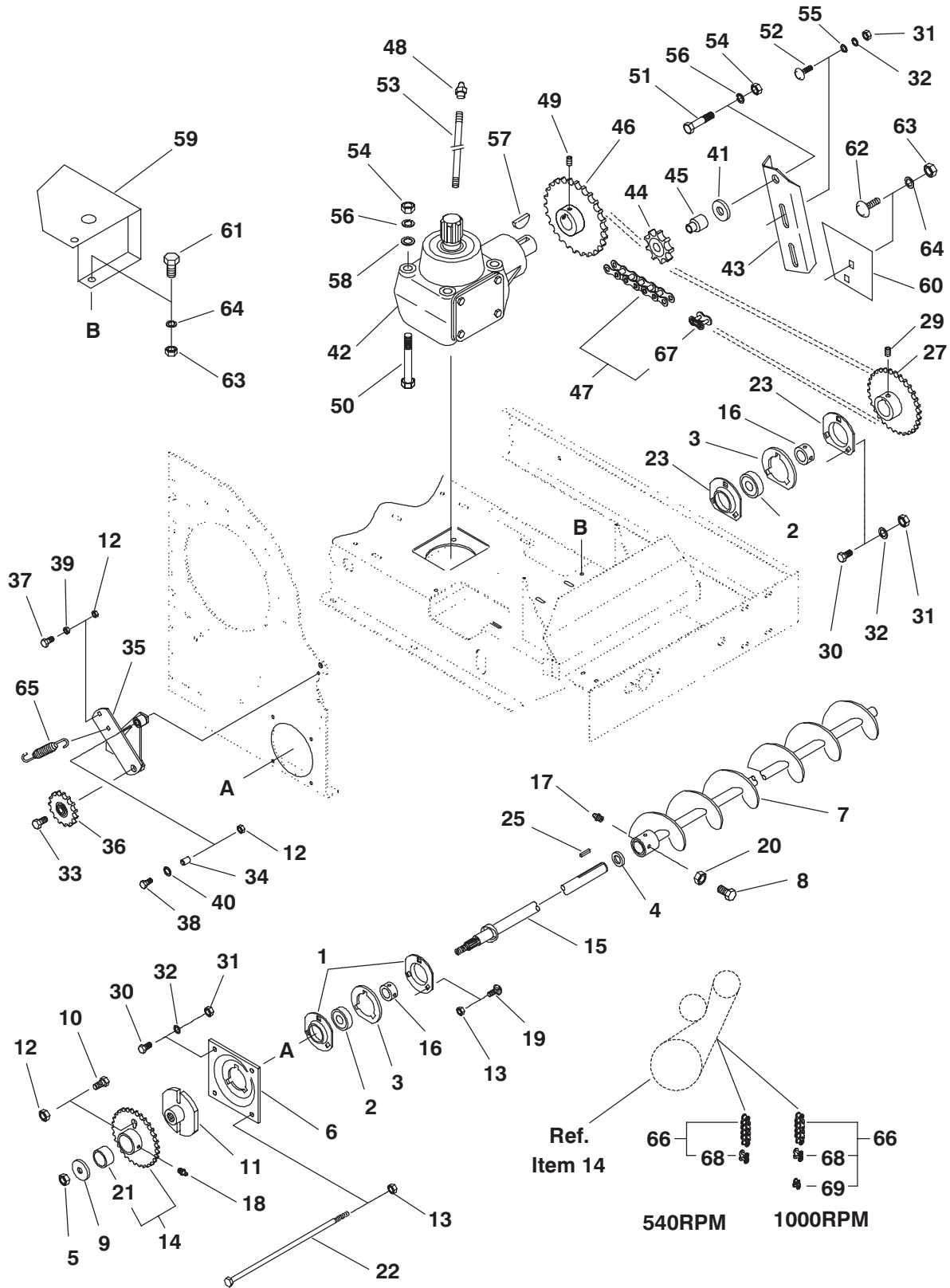


MX125 - IMPLEMENT DRIVE LINE

Ref. No.	Part No.	Description	Qty. Req.	Ref. No.	Part No.	Description	Qty. Req.
01	B11162	FW 25/32	3	44	040087	V-BELT/POWERBAND (540 RPM)	1
02	054925	BUSHING/PIVOT	2		065030	V-BELT/POWERBAND (1000 RPM)	1
03	064735	CARRIER/PTO ASSY	1	45	092532	SHEAVE/ASSY (540 RPM) (AFTER SN12900)	1
04	120773	HTB 3/4X5 GR2	1		067851	SHEAVE/ASSY (540 RPM) (BEFORE SN12901)	1
05	064800	SUPPORT/SHAFT	1		092539	SHEAVE/ASSY (1000 RPM) (AFTER SN12900)	1
06	064801	ARM/IDLER	1		067852	SHEAVE/ASSY (1000 RPM) (BEFORE SN12901)	1
07	064805	ARM/SPRING	1				
08	071701	LN 5/16	2				
09	081140	PULLEY/IDLER	1				
10	092526	SHAFT/DRIVE (AFTER SN12900)	1	46	092537 ^a	JOINT/UNIVERSAL (540 or 1000 RPM) (AFTER SN12900)	1
	064745	SHAFT/DRIVE (BEFORE SN12901)	1				
11	064746	HOUSING/PTO BEARING REAR	1		065035 ^a	JOINT/UNIVERSAL (540 or 1000 RPM) (BEFORE SN12901)	1
12	520066	BEARING/BALL	1				
13	520153	COLLAR/BEARING	1	47	065248 ^a	JOINT/UNIVERSAL (540 RPM)	1
14	650487	CS 5/16X1	1		065178 ^a	JOINT/UNIVERSAL (1000 RPM)	1
15	650588	CS 1/4X1-1/2	1	48	054842	PIN/CLEVIS	1
16	650647	CS 5/8X2	1	49	064829	PIN/CLUTCH SHIFTER	1
17	650573	CB 5/16X1	2	50	064830	RETAINER/CLUTCH PIN	1
18	653005	HN 1/4	1	51	064831	LEVER/CAM	1
19	653007	HN 5/16	4	52	067530	SPACER	1
20	653021	HN 5/8	1	53	13E29	SPRING/CLUTCH	1
21	653026	HN 3/4	3	54	650486	CS 5/16X3/4	1
22	654004	FW 5/16	2	55	650968	CP 3/32X3/4	1
23	654012	FW 5/8	1	57	13E60	KEY/MAIN SHAFT	1
24	654014	FW 3/4	1	58	063589	FW 13/32	1
25	654022	LW 1/4	1	59	064479	FW 1-25/64	7
26	654024	LW 5/16	3	60	079402	SPACER	1
27	654032	LW 5/8	1	61	650490	CS 3/8X1	9
28	064743	HOUSING/PTO BEARING FRONT	1	62	654026	LW 3/8	17
29	520171	BEARING/BALL	1	63	655533	KEY/WOODRUFF 5/16X1	1
30	13E62	SCREW/TIGHTENER BELT	1	64	064808	SHEAVE/MILL (540 RPM)	1
31	650545	CS 5/16X1-1/4	1		065028	SHEAVE/MILL (1000 RPM)	1
32	069792	FW 2-1/32	1	65	079401	SHEAVE/MILL (540 RPM)	1
33	057557	FW 17/32 (AFTER SN12900 ONLY)	1		079403	SHEAVE/MILL (1000 RPM)	1
34	060979	CS 1/2X1-1/4 (AFTER SN12900 ONLY)	1	66	650204	SHSS 5/16X3/8	1
35	061006	WIRE/JOINT SCREW LOCK (AFTER SN12900 ONLY)	1	67	066876	SHEAVE/PUMP (AFTER SN15515)	1
					064834	SHEAVE/PUMP (BEFORE SN15516)	1
36	092522	SEAL/OIL (AFTER 12900)	1	69	055280	RING/RETAINING (BEFORE SN12901 ONLY)	2
	064828	SEAL/OIL (BEFORE SN12901)	1	70	055276	CUP/BEARING (BEFORE SN12901 ONLY)	2
37	092523	BEARING/TAPERED	1	71	064825	CONE/BEARING (BEFORE SN12901 ONLY)	2
38	092524	SEAL/OIL	1	72	056640	RING/RETAINING (BEFORE SN12901 ONLY)	1
39	092527	CLUTCH/ASSY (AFTER SN12900)	1	73	520172	COLLAR/BEARING (BEFORE SN12901 ONLY)	1
	064823	CLUTCH/ASSY (BEFORE SN12901)	1	74	059566	KEY 3/8X1-1/2	1
40	650577	CS 5/16X1-1/2	1				
42	B11108	SPRING (540 RPM)	1				
	U10063	SPRING (1000 RPM)	1				
43	092531	V-BELT/POWERBAND (540 RPM)	1				
	092538	V-BELT/POWERBAND (1000 RPM)	1				

^a See 'Universal Drive' pages for further breakdown.

MX125 - CONVEYOR & MIXER DRIVE

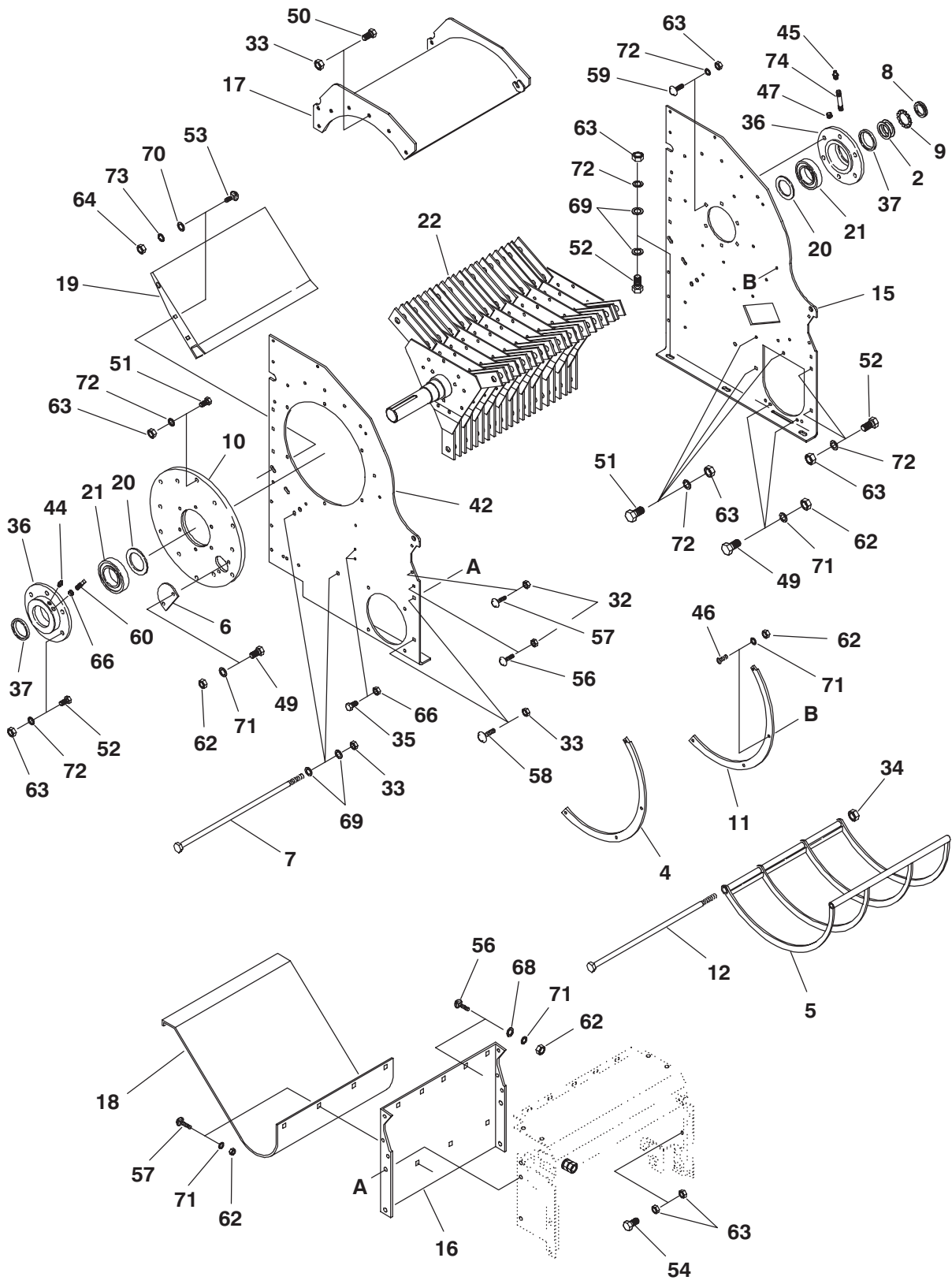


MX125 - CONVEYOR & MIXER DRIVE

Ref. No.	Part No.	Description	Qty. Req.	Ref. No.	Part No.	Description	Qty. Req.
01	S16215	RETAINER/BEARING	2	38	650568	CS 5/16X2	1
02	057179	BEARING/BALL	2	39	653034	JN 5/16	1
03	061509	SHIM/FLANGETTE	AR	40	654004	FW 5/16	1
04	062755	FW 1-9/32	1	41	055098	FW 9/16	1
05	064331	LN 3/4	1	42	064466 ^a	TRANSMISSION/ASSMD	1
06	064814	BRACKET/BEARING	1	43	069504	BRACKET/IDLER	1
07	069059	CONVEYOR/INTAKE	1	44	071653	SPROCKET/IDLER	1
08	069066	CS 1/4X1	2	45	071656	SPACER	1
09	069076	FW 25/32	1	46	071751	SPROCKET/26T	1
10	069079	CS 5/16X1 (SHEAR)	1	47	071754	CHAIN/ROLLER #60HEX52 LINKS	1
11	071531	FLANGE/SHEAR	1	48	570006	FITTING/GREASE	1
12	071701	LN 5/16	3	49	650204	SHSS 5/16X3/8	2
13	071703	LN 3/8	3	50	650497	CS 1/2X5-1/2	4
14	092534	SPROCKET/30T (540 RPM)	1	51	650502	CS 1/2X2-1/4	1
	069077	SPROCKET/54T (1000 RPM)	1	52	650704	CB 3/8X1	2
15	094751	SHAFT/TRANS DR ASSY	1	53	650904	NIPPLE/PIPE 1/8X15-1/4	1
16	520090	COLLAR/BEARING	2	54	653018	HN 1/2	5
17	570002	FITTING/GREASE	1	55	654006	FW 3/8	2
18	570019	FITTING/GREASE	1	56	654030	LW 1/2	5
19	650790	CB 3/8X3/4	3	57	655537	KEY/WOODRUFF 5/16X1-1/4	1
20	653005	HN 1/4	2	58	042826	FW 9/16	4
21	069075	BUSHING/BRONZE	1	59	064898	GUARD/TRANS DRIVE ASSY	1
22	040102	BOLT/HHM 3/8X21-5/8	2	60	072917	SHIELD	1
23	051525	RETAINER/BEARING	2	61	650486	CS 5/16X3/4	1
25	060757	KEY	1	62	650687	CB 5/16X3/4	2
27	071749	SPROCKET/23T	1	63	653007	HN 5/16	3
29	650204	SHSS 5/16X3/8	2	64	654024	LW 5/16	3
30	650490	CS 3/8X1	5	65	077055	SPRING/EXTENSION	1
31	653010	HN 3/8	7	66	043737	CHAIN/ROLLER #60X61 LINKS (540 RPM)	1
32	654026	LW 3/8	6		058580	CHAIN/ROLLER #60X76 LINKS (1000 RPM)	1
33	069464	CS 5/8X1-1/4	1	67	127797	LINK/CONNECTOR	1
34	081058	SPACER	1	68	500160	LINK/CONNECTOR	1
35	081093	PLATE/IDLER ASSY	1	69	500161	LINK/OFFSET	1
36	124773	SPROCKET/IDLER	1				
37	650487	CS 5/16X1	1				

a) See 'Transmission Components' page for breakdown.

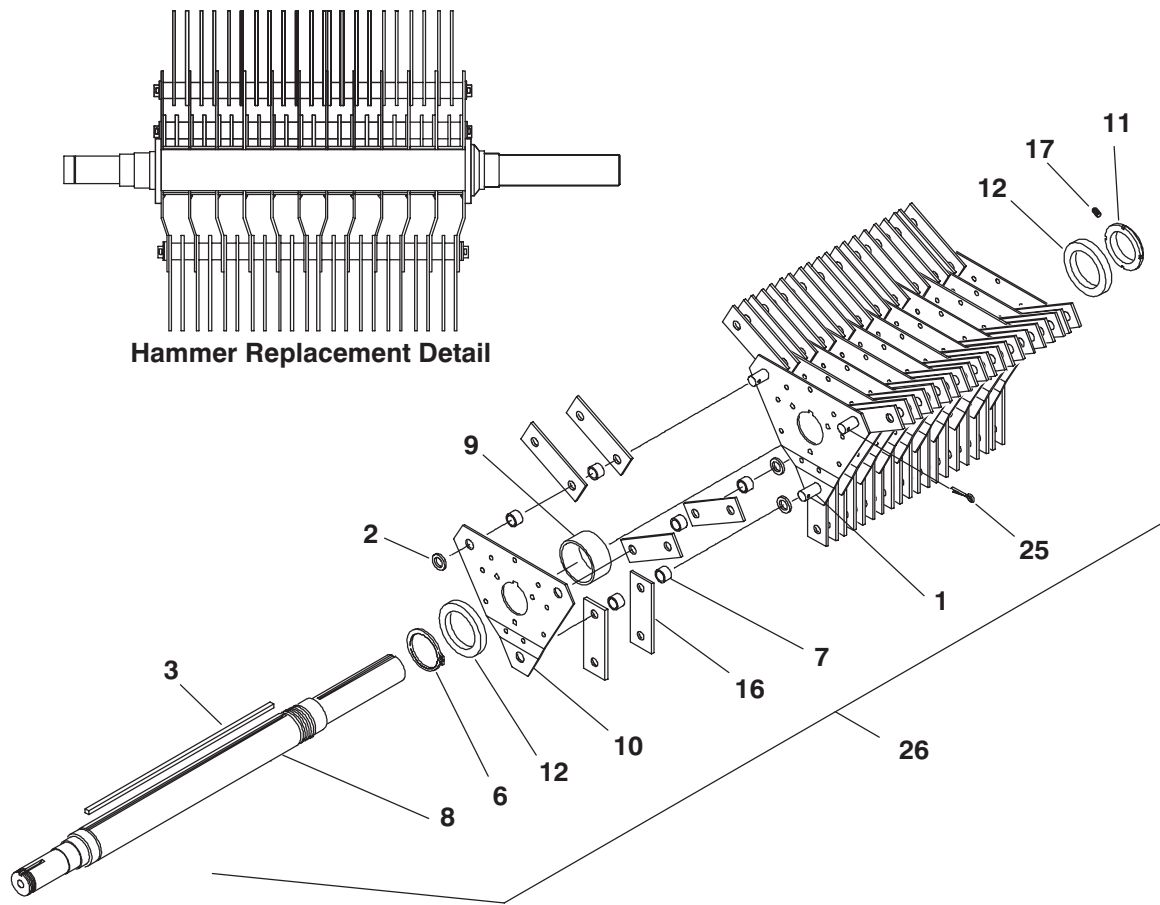
MX125 - MILL FRAME & CYLINDER



MX125 - MILL FRAME & CYLINDER

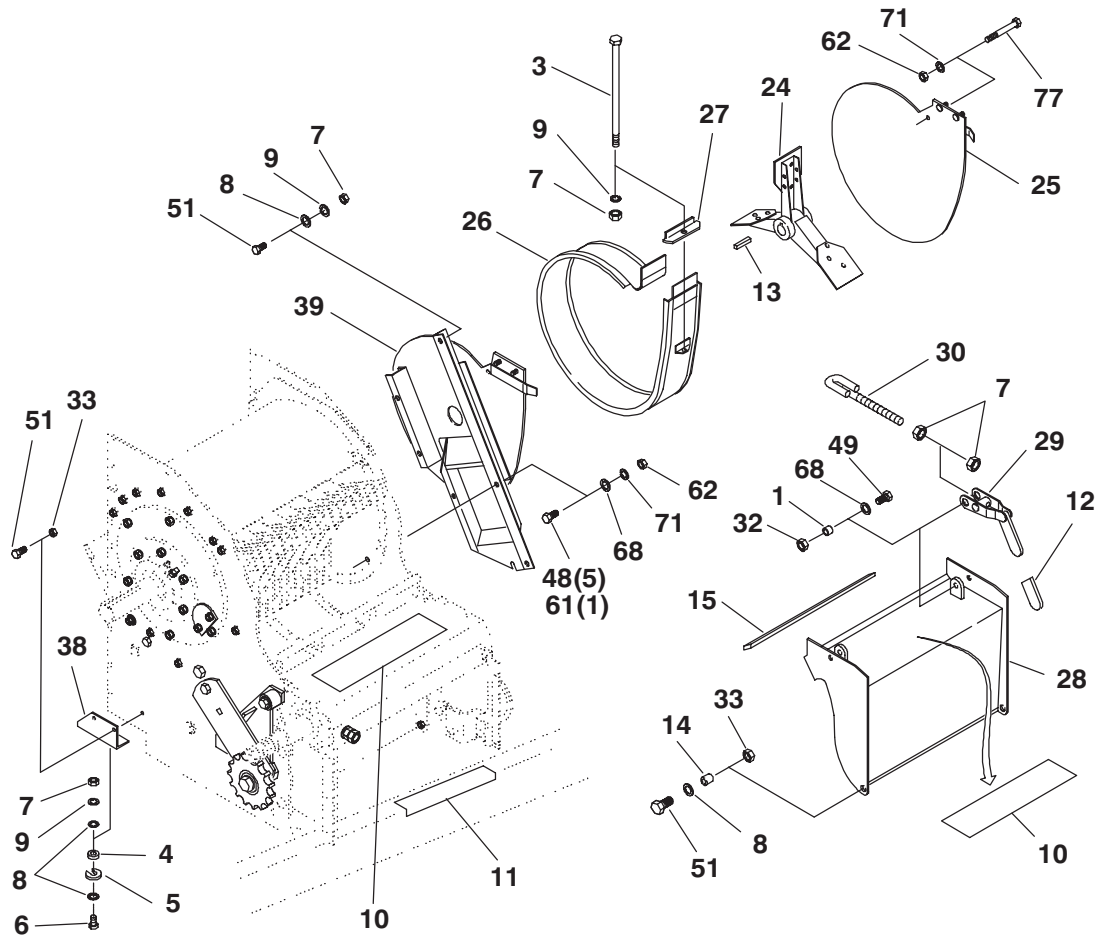
Ref. No.	Part No.	Description	Qty. Req.	Ref. No.	Part No.	Description	Qty. Req.
02	13H55	FW 1-21/32	2	45	570006	FITTING/GREASE	1
04	040058	GUIDE/SCREEN	1	46	650185	FHMS 5/16X1	8
05	040060	SUPPORT/SCREEN	1	47	650211	SHSS 3/8X5/16	1
06	040066	COVER/CYL INSPECTION	1	49	650487	CS 5/16X1	4
07	040102	BOLT/HHM 3/8X21-5/8	2	50	650488	CS 3/8X3/4	11
08	041916	NUT/BEARING LOCK	1	51	650490	CS 3/8X1	8
09	041917	WASHER/BEARING	1	52	650491	CS 3/8X1-1/4	13
10	042291	COVER/CYLINDER	1	53	650527	CB 1/2X1-1/4	4
11	042304	GUIDE/SCREEN REAR	1	54	650533	CS 3/8X1-1/2	1
12	047576	BOLT/HHM 1/2X22	1	56	650573	CB 5/16X1	7
15	064681	SIDE/MAIN FRAME REAR	1	57	650687	CB 5/16X3/4	7
16	064683	SIDE/MAIN FRAME LT	1	58	650704	CB 3/8X1	4
17	064689	SHEET/HOOD ASSY	1	59	650786	CB 3/8X1-1/4	6
18	064695	PAN/MILL CONVEYOR	1	60	650906	SQHSS 3/8X1	1
19	064696	PLATE/THROAT ASSY	1	62	653007	HN 5/16	21
20	064702	FW 2.200/2.206	2	63	653010	HN 3/8	29
21	064703	BEARING/BALL SHIELD	2	64	653018	HN 1/2	4
22	064704	CYLINDER/ASSEMBLED	1	66	653038	JN 3/8	3
32	071701	LN 5/16	5	68	654004	FW 5/16	5
33	071703	LN 3/8	15	69	654006	FW 3/8	14
34	071706	LN 1/2	1	70	654009	FW 1/2	4
35	072330	SCREW/SELF TAPPING 3/8X1	2	71	654024	LW 5/16	21
36	073679	HOUSING/BEARING	2	72	654026	LW 3/8	27
37	073680	SEAL/OIL	2	73	654030	LW 1/2	4
42	081200	SIDE/MAIN FRAME FRONT	1	74	660032	NIPPLE/PIPE 1/8X4	1
44	570002	FITTING/GREASE	1				

MX125 - MILL CYLINDER



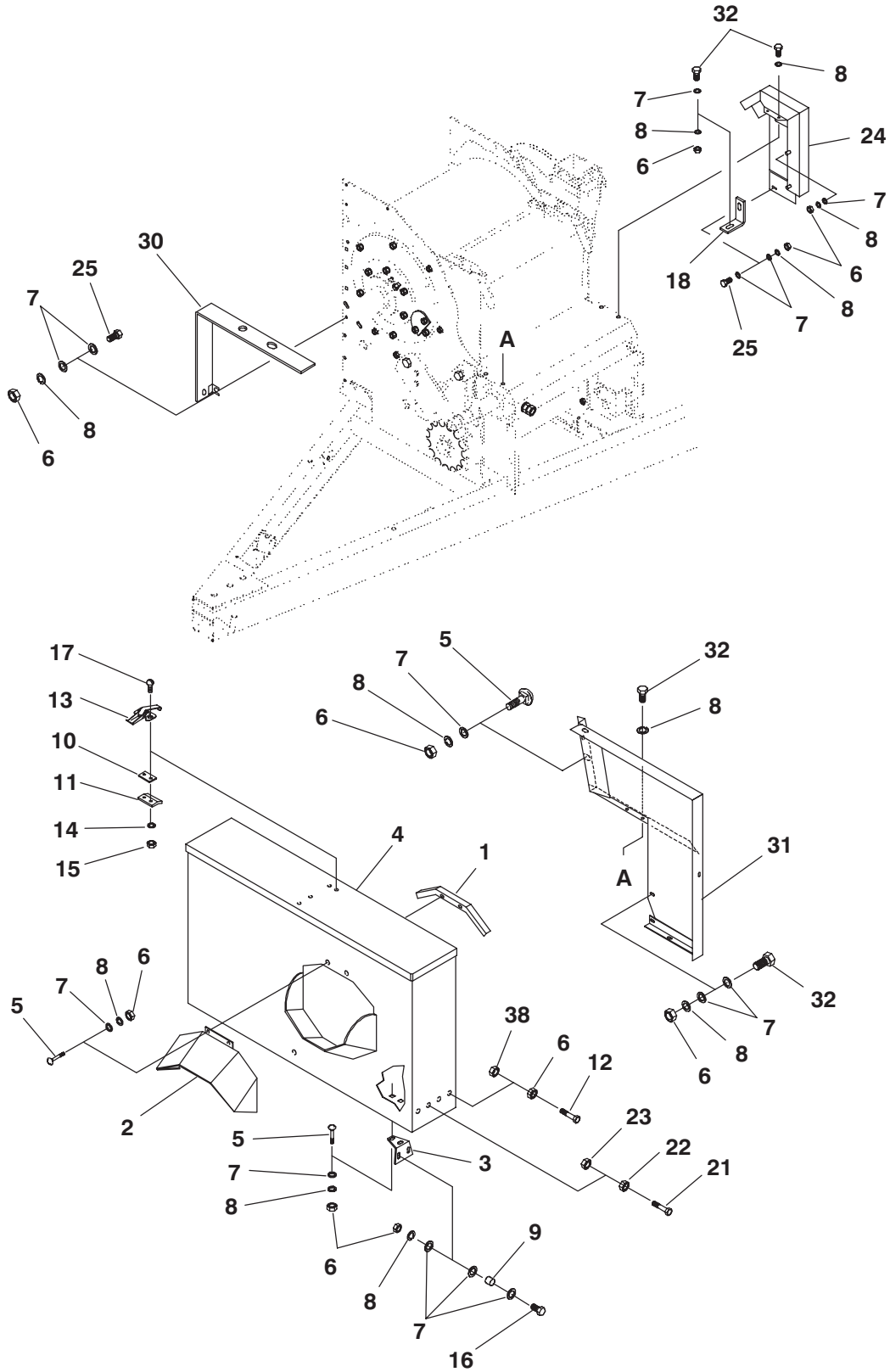
Ref. No.	Part No.	Description	Qty. Req.	Ref. No.	Part No.	Description	Qty. Req.
01	040055	SHAFT/HAMMER	3	10	064709	PLATE/CYLINDER	12
02	040885	FW 21/32	10	11	064710	NUT/CYLINDER SHAFT	1
03	042315	KEY/CYLINDER	1	12	064712	RETAINER/PLATE	2
06	064705	RING/RETAINING	1	16	2E4D	HAMMER	66
07	064706	SPACER/HAMMER	65	17	650198	SHSS 1/4X3/8	1
08	064707	SHAFT/CYLINDER	1	25	655018	CP 3/16X1-1/4	6
09	064708	SPACER/PLATE	11	26	064704	CYLINDER/ASSD	1

MX125 - MILL BLOWER



Ref. No.	Part No.	Description	Qty. Req.	Ref. No.	Part No.	Description	Qty. Req.
01	H6053	SPACER/DEFL HOLD/DOWN	4	27	064734	ANGLE/RIM TIGHTENER	1
03	5H74	BOLT/HHM 3/8X8-1/2	1	28	064750	COVER/ASSY	1
04	048028	FW 13/32	3	29	064759	LATCH/MILL ASSY	2
05	042826	FW 9/16 SPECIAL	8	30	064763	LOOP/LATCH ASSY	2
06	650533	CS 3/8X1-1/2	1	32	071701	LN 5/16	4
07	653010	HN 3/8	7	33	071703	LN 3/8	4
08	654006	FW 3/8	5	38	075872	BRACKET/MILL SUPPORT	1
09	654026	LW 3/8	3	39	075952	INLET/BLOWER SIDE ASSY	1
10	064873	SHEET/MILL SAFETY STEP	2	48	650486	CS 5/16X3/4	5
11	064874	SHEET/LADDER SAFETY STEP	1	49	650487	CS 5/16X1	4
12	062282	GRIP	1	51	650490	CS 3/8X1	5
13	056230	KEY/SQUARE	1	61	650949	THMS 5/16X3/4	1
14	064639	BUSHING	2	62	653007	HN 5/16	7
15	042281	SEAL	1	68	654004	FW 5/16	10
24	064724	FAN/BLOWER	1	71	654024	LW 5/16	7
25	064729	SIDE/BLOWER ASSY REAR	1	77	650578	CS 5/16X5	1
26	064730	RIM/BLOWER ASSY	1				

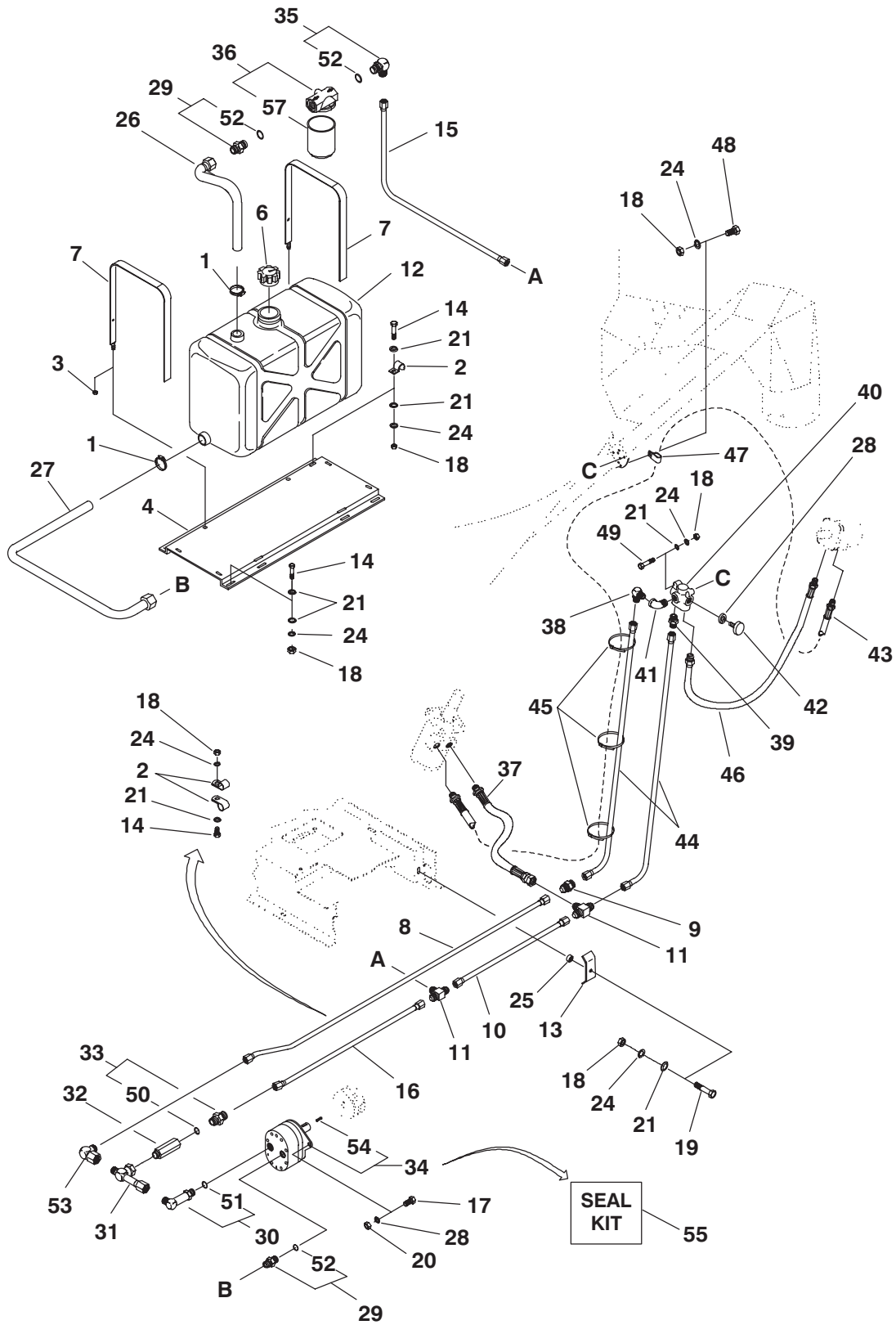
MX125 - DRIVE GUARDS



MX125 - DRIVE GUARDS

Ref. No.	Part No.	Description	Qty. Req.	Ref. No.	Part No.	Description	Qty. Req.
01	064887	BRACKET/HINGE SUPPORT	1	15	650550	HN MS #10-24	6
02	064890	GUARD/BELL ASSY	1	16	650577	CS 5/16X1-1/2	2
03	064895	BRACKET/HINGE	2	17	650815	RHMS SLTD #10-24X3/4	6
04	081162	GUARD/MILL DRIVE	1	18	064442	BRACKET/GUARD	1
05	650687	CB 5/16X3/4	7	21	069066	CS 1/4X1	2
06	653007	HN 5/16	18	22	653005	HN 1/4	2
07	654004	FW 5/16	23	23	071700	LN 1/4	2
08	654024	LW 5/16	18	24	079398	GUARD/PUMP DRIVE ASSY	1
09	R13055	SPACER/DEFLECTOR	2	25	650487	CS 5/16X1	2
10	064896	SHIM/GUARD	3	30	081158	BRACKET/DRIVE GUARD ASSY	1
11	064897	SUPPORT/LATCH	3	31	081160	GUARD/REAR DRIVE ASSY	1
12	069079	CS 5/16X1	2	32	650486	CS 5/16X3/4	6
13	079878	LATCH	3	38	071701	LN 5/16	2
14	650549	LW #10	6				

MX125 - SELF-CONTAINED HYDRAULICS SYSTEM (AFTER SN15800) _____

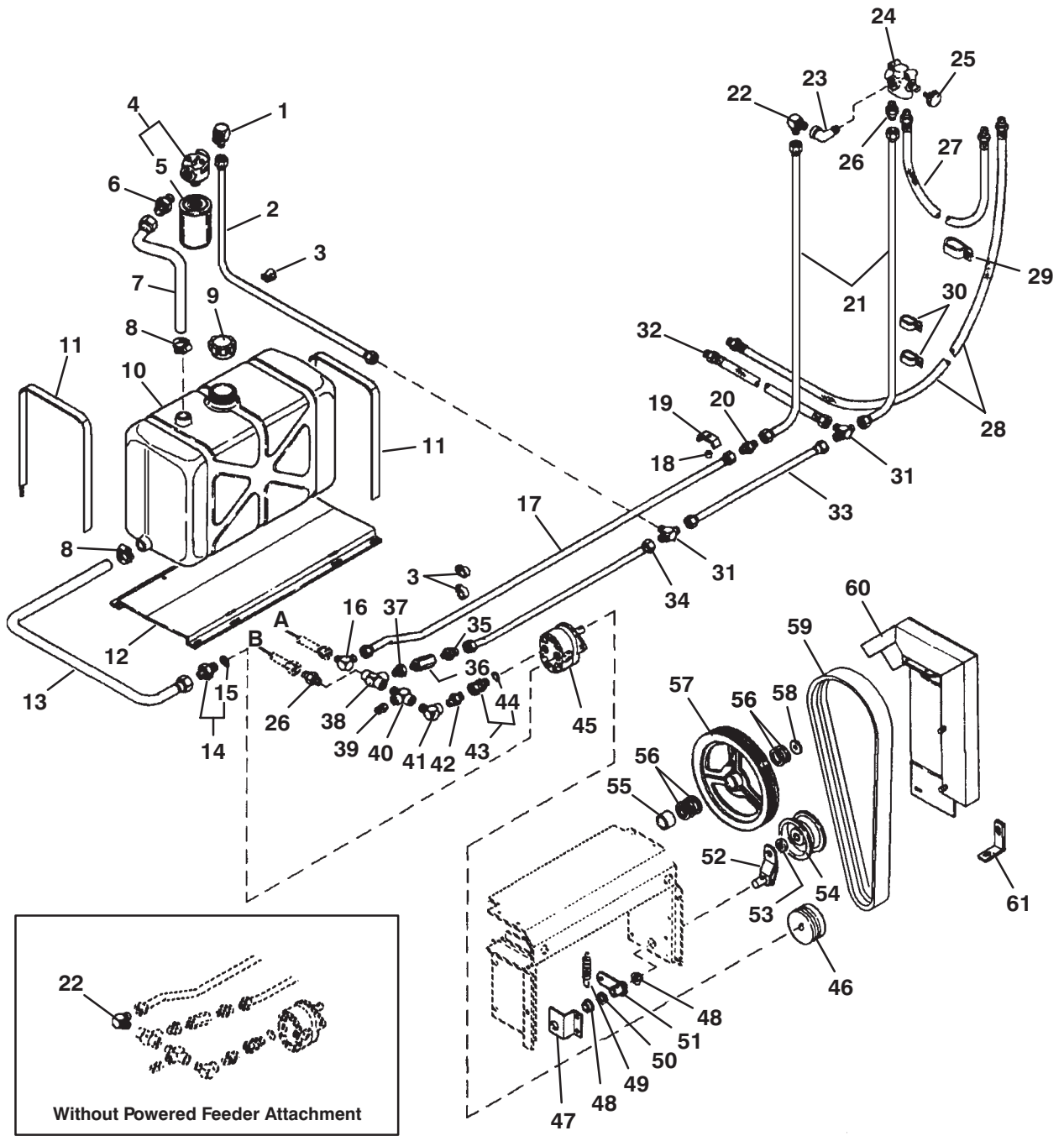


MX125 - SELF-CONTAINED HYDRAULICS SYSTEM (AFTER SN15800)

Ref. No.	Part No.	Description	Qty. Req.	Ref. No.	Part No.	Description	Qty. Req.
01	055335	CLAMP/HOSE	2	31	112883	TEE/HYD FITTING SPECIAL	1
02	056773	CLAMP	3	32	112711	VALVE/HYDRAULIC	1
03	064260	NILN 5/16	2	33	230-30569	UNION/HYD FITTING	1
04	064462	SUPPORT/RESERVOIR	1	34	143901	PUMP/HYDRAULIC (AFTER SN17488) .	1
06	064650	CAP/RESERVOIR	1	35	072615	ELBOW/HYD FITTING 90 DEG	1
07	064651	STRAP ASSY	2	36	122756 _a	FILTER/OIL ASSY	1
08	064662	TUBE/HYDRAULIC	1	37	067473	HOSE/ASSY	1
09	064664	UNION/CONNECTOR	1	38	054848	ELBOW/HYD FITTING 90 DEG	1
10	064668	TUBE/HYDRAULIC ASSY	1	39	054850	UNION/HYD FITTING	1
11	064669	TEE/HYD FITTING	2	40	064674	VALVE/HYDRAULIC SELECTOR	1
12	076841	RESERVOIR	1	41	660039	ELBOW/STREET 1/2 90 DEG	1
13	065157	CLAMP/TUBE	1	42	064660	KNOB/CONTROL	1
14	650487	CS 5/16X1	7	43	067848	HOSE/ASSY	1
15	071542	TUBE/HYDRAULIC	1	44	064670	TUBE/HYDRAULIC	2
16	075876	TUBE/HYDRAULIC ASSY	1	45	063592	TIE/CABLE	3
17	650491	CS 3/8X1-1/4	2	46	064930	HOSE/ASSY	1
18	653007	HN 5/16	11	47	097859	CLAMP/HOSE	1
19	650577	CS 5/16X1-1/2	1	48	650486	CS 5/16X3/4	1
20	653010	HN 3/8	2	49	650568	CS 5/16X2	2
21	654004	FW 5/16	15	50	055896	O-RING	1
24	065424	LW 5/16	11	51	055898	O-RING	1
25	H8010	BUSHING/SNAPPER BAR	1	52	048953	O-RING	3
26	064656	TUBE/HYDRAULIC	1	53	065415	ELBOW/HYD FITTING 90 DEG	1
27	064661	TUBE/HYDRAULIC	1	54	067515	KEY/SQUARE	1
28	654026	LW 3/8	3	55	143917	KIT/SEAL	1
29	054818	UNION/HYD FITTING	2	57	048959	ELEMENT/OIL FILTER	1
30	112899	ELBOW/HYD FITTING	1				

a) For Filter order 048959, for Decal order 072313.

MX125 - SELF-CONTAINED HYDRAULICS SYSTEM (BEFORE SN15801) _____



22
Without Powered Feeder Attachment

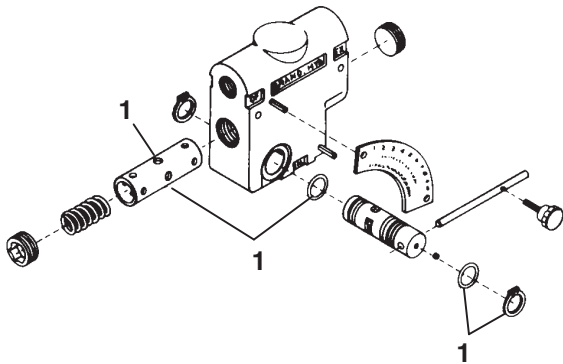
MX125 - SELF-CONTAINED HYDRAULICS SYSTEM (BEFORE SN15801)

Ref. No.	Part No.	Description	Qty. Req.	Ref. No.	Part No.	Description	Qty. Req.
01	068105	ELBOW/90 DEG MALE	1	40	064645	TEE/HYD FITTING	1
02	071542	TUBE/RETURN "T" TO FILTER	1	41	058654	ELBOW/HYD FITTING 90 DEG	1
03	056773	CLAMP	3	42	062910	UNION/HYD FITTING	1
	650487	CS 5/16X1 (HN, LW, 2FW)	1	43	066841	UNION/HYD FITTING	1
04	064654	FILTER/OIL	1	44	055898	O-RING	1
05	048959	ELEMENT/FILTER	1	45	066839 _b	PUMP/HYDRAULIC (AFTER SN15515)	1
06	064655	UNION/HYD FITTING	1		650491	CS 3/8X1-1/4 (HN, LW, FW)	2
07	064656	TUBE/FILTER TO RESERVOIR	1		067515	KEY/SQUARE	1
08	055335	CLAMP/HOSE	2	45	070864 _c	PUMP/HYDRAULIC (BEFORE SN15516)	1
09	064650	CAP/RESERVOIR	1		650491	CS 3/8X1-1/4 (HN, LW, FW)	2
10	076841	RESERVOIR	1	46	066876	SHEAVE/PUMP (AFTER SN15515)	1
11	064651	STRAP ASSY (2) 5/16 LN	2		064834	SHEAVE/PUMP (BEFORE SN15516)	1
					650198	SHSS-SL 1/4X3/8	2
12	064462	SUPPORT/RESERVOIR	1	47	064800	SUPPORT/SHAFT	1
	650487	CS 5/16X1 (HN, LW, FW)	1		650487	CS 5/16X1 (HN, LW, FW, 1/4 FW)	2
13	064661	TUBE/INTAKE	1	48	054925	BUSHING/PIVOT	2
14	054818	UNION/HYD FITTING	1	49	B11108	SPRING/ECCENTRIC FOLLOWER - 540 RPM	1
15	048953	O-RING	1		U10063	SPRING/STOP DOG - 1000 RPM	1
16	056086	ELBOW/HYD FITTING 90 DEG	1	50	B11162	FW 25/32	3
17	064662	TUBE/PRESSURE	1	51	064805	ARM/SPRING	1
18	H8010	BUSHING/SNAPPER BAR	1		650487	CS 5/16X1 (2 LN)	1
19	065157	CLAMP/TUBE	1		650588	CS 1/4X1-1/2 (HN, LW)	1
	650577	CS 5/16X1-1/2 (HN, LW, FW)	1	52	064801	ARM/IDLER	1
20	064664	UNION/CONNECTOR	1	53	654012	FW 5/8 (LATER STYLE)	1
21	064670	TUBE/VALVE PRESSURE RETURN	2		H8353A	FW 21/32 (EARLY STYLE)	1
22	054848	ELBOW/HYD FITTING 90 DEG (TWO REQUIRED WITHOUT (POWERED FEEDER ATTACHMENT)	1	54	081140	PULLEY/IDLER	1
23	660039	ELBOW/STREET 1/2 90 DEG	1		650647	CS 5/8X2 (HN, LW)	1
24	064674 _a	VALVE/HYDRAULIC SELECTOR	1	55	079402	SPACER	1
	650692	CS 5/16X1-3/4 (HN, LW, FW) (1) 3/8 LW	2	56	064479	WASHER/SHIM	5
25	064660	KNOB/CONTROL	1	57	079401	SHEAVE/PUMP DRIVE - 540 RPM	1
26	054850	UNION/HYD FITTING	2		079403	SHEAVE/PUMP DRIVE - 1000 RPM	1
27	064930	HOSE/DISCHARGE AUGER	1		655533	KEY/WOODRUFF 5/16X1	1
28	067848	HOSE/ASSY	1	58	063589	FW 13/32	1
29	067849	CLAMP/HOSE	1	59	092531	V-BELT/POWERBAND - 540 RPM (AFTER SN12900)	1
	650486	CS 5/16X3/4 (HN, LW, FW)	1		064835	BELT/MATCHED SET - 540 RPM (BEFORE SN12901)	1
30	055021	CLAMP/HOSE	2		092538	V-BELT/POWERBAND - 1000 RPM (AFTER SN12900)	1
	650486	CS 5/16X3/4 (HN, LW, FW)	2		065033	BELT/MATCHED SET - 1000 RPM (BEFORE SN12901)	1
31	064669	TEE/HYD FITTING	2	60	079398	GUARD/PUMP DRIVE ASSY	1
32	067473	HOSE/ASSY	1		650484	CS 5/16X1/2 (HN, LW, FW)	2
33	064668	TUBE/RETURN "T" TO "T"	1		650486	CS 5/16X3/4 (HN, LW, FW)	1
34	075876	TUBE/RELIEF VALVE TO "T"	1	61	064442	BRACKET/GUARD	1
35	075875	UNION/HYD FITTING	1				
36	075877	VALVE/HYD RELIEF	1				
37	057655	BUSHING/HYD FITTING	1				
38	058655	TEE/HYD FITTING	1				
39	660004	PLUG/PIPE 1/2	1				

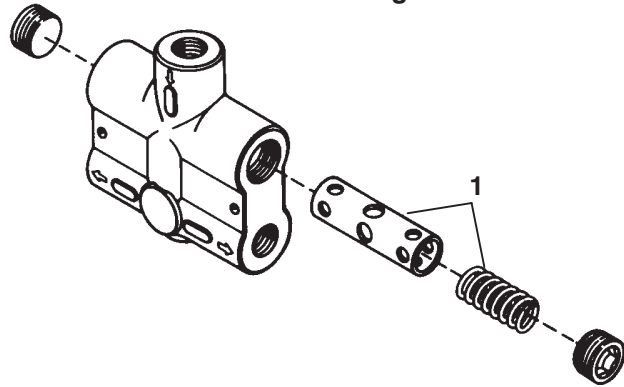
a) For further breakdown, see 'Hydraulic Components' page.
b) For repair, order Seal Kit 055221.
c) For repair use 066839, 066876 & 067458.

MX125 - HYDRAULIC COMPONENTS

Flow Control Valve



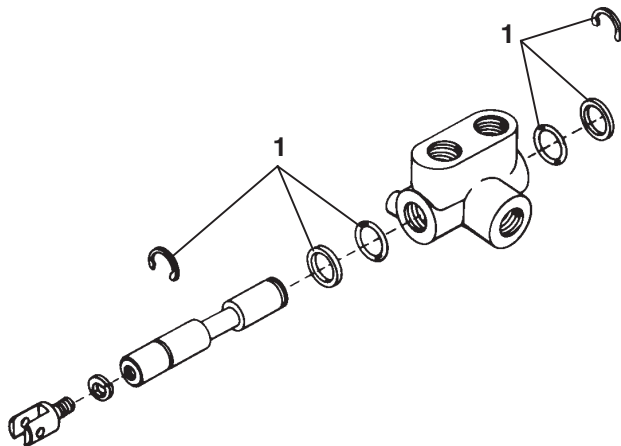
Flow Regulator Valve



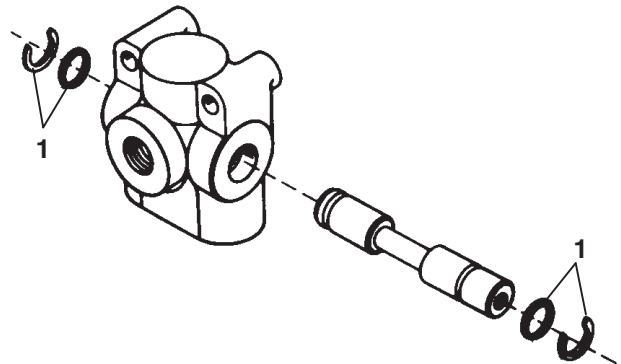
Ref. No.	Part No.	Description	Qty. Req.
	093810	FLOW CONTROL VALVE	1
	048968	FLOW CONTROL VALVE	1
		CONSISTS OF:	
01	071666	KIT/REPAIR (INCLUDING (1) SLEEVE, (2) SEALS & (2) SNAP RINGS)	1

Ref. No.	Part No.	Description	Qty. Req.
	064675	FLOW REGULATOR VALVE	1
		CONSISTS OF:	
01	071665	KIT/REPAIR (INCLUDING (1) SLEEVE AND (1) SPRING)	1

Gresen Selector Valve



Cross Selector Valve

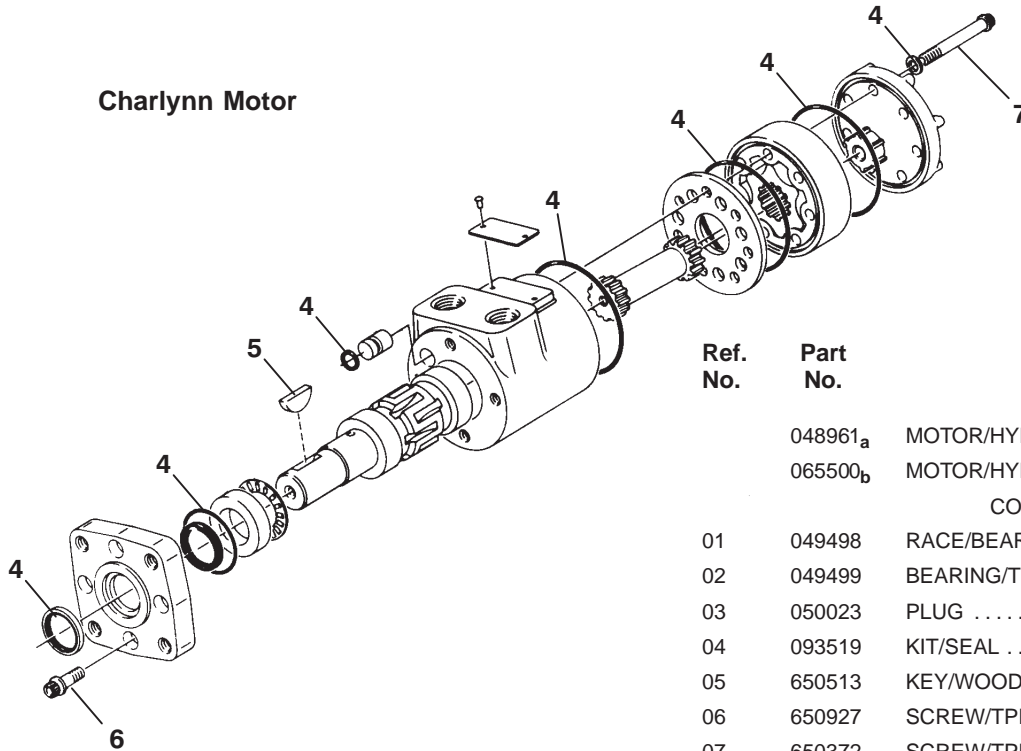


Ref. No.	Part No.	Description	Qty. Req.
	065024	SELECTOR VALVE – GRESEN	1
		CONSISTS OF:	
01	050036	KIT/REPAIR (INCLUDING (2) RETAINERS, (2) WASHERS & SEALS)	1

Ref. No.	Part No.	Description	Qty. Req.
	064674	SELECTOR VALVE – CROSS ...	1
		CONSISTS OF:	
01	071668	KIT/REPAIR (INCLUDING (2) RETAINERS & (2) WASHERS) ..	1

MX125 - HYDRAULIC COMPONENTS

Charlynn Motor



Ref. No.	Part No.	Description	Qty. Req.
	048961 _a	MOTOR/HYDRAULIC - CHARLYNN	1
	065500 _b	MOTOR/HYDRAULIC - CHARLYNN	1
CONSISTS OF:			
01	049498	RACE/BEARING	1
02	049499	BEARING/THRUST	1
03	050023	PLUG	1
04	093519	KIT/SEAL	1
05	650513	KEY/WOODRUFF 1/4X1	1
06	650927	SCREW/TPFH5/16-24NFX7/8	4
07	650372	SCREW/TPFH5/16-24NFX1-5/8 ...	7
		(USED WITH 048961)	
	651327	SCREW/TPFH5/16-24NFX2-1/4 ...	7
		(USED WITH 065500)	

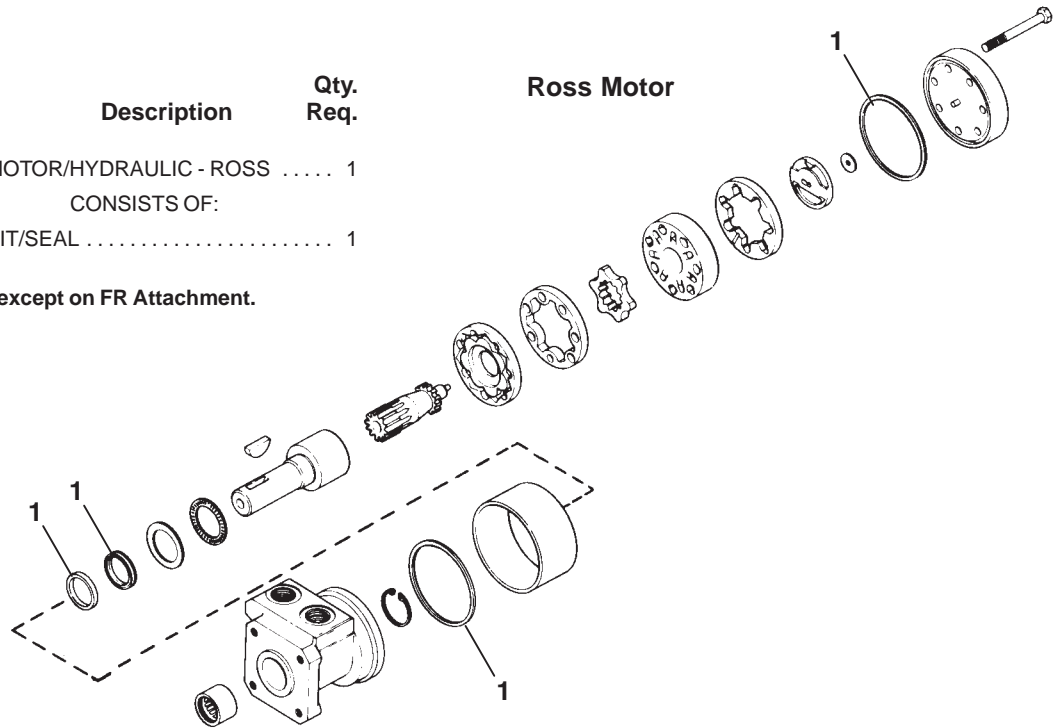
a) Used in all places except on FR Attachment.

b) ONLY used on FR Attachment.

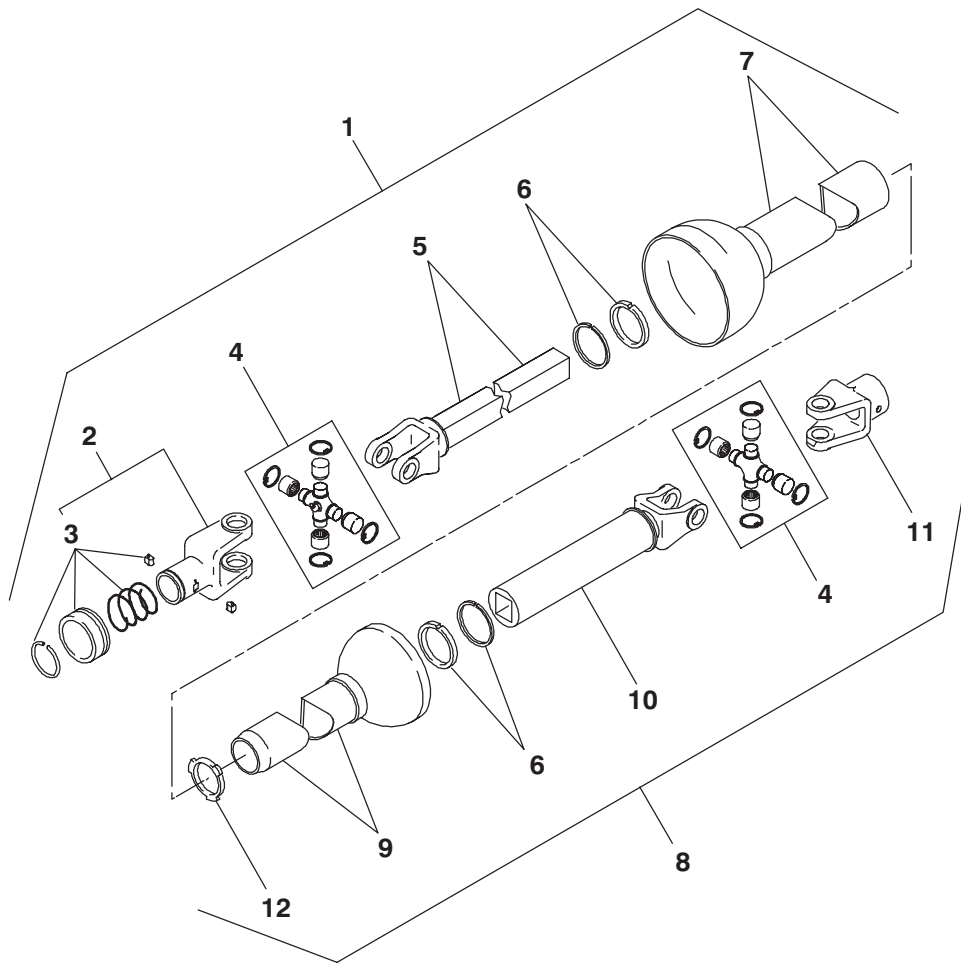
Ref. No.	Part No.	Description	Qty. Req.
	056202 _a	MOTOR/HYDRAULIC - ROSS	1
CONSISTS OF:			
01	071670	KIT/SEAL	1

a) Used in all places except on FR Attachment.

Ross Motor

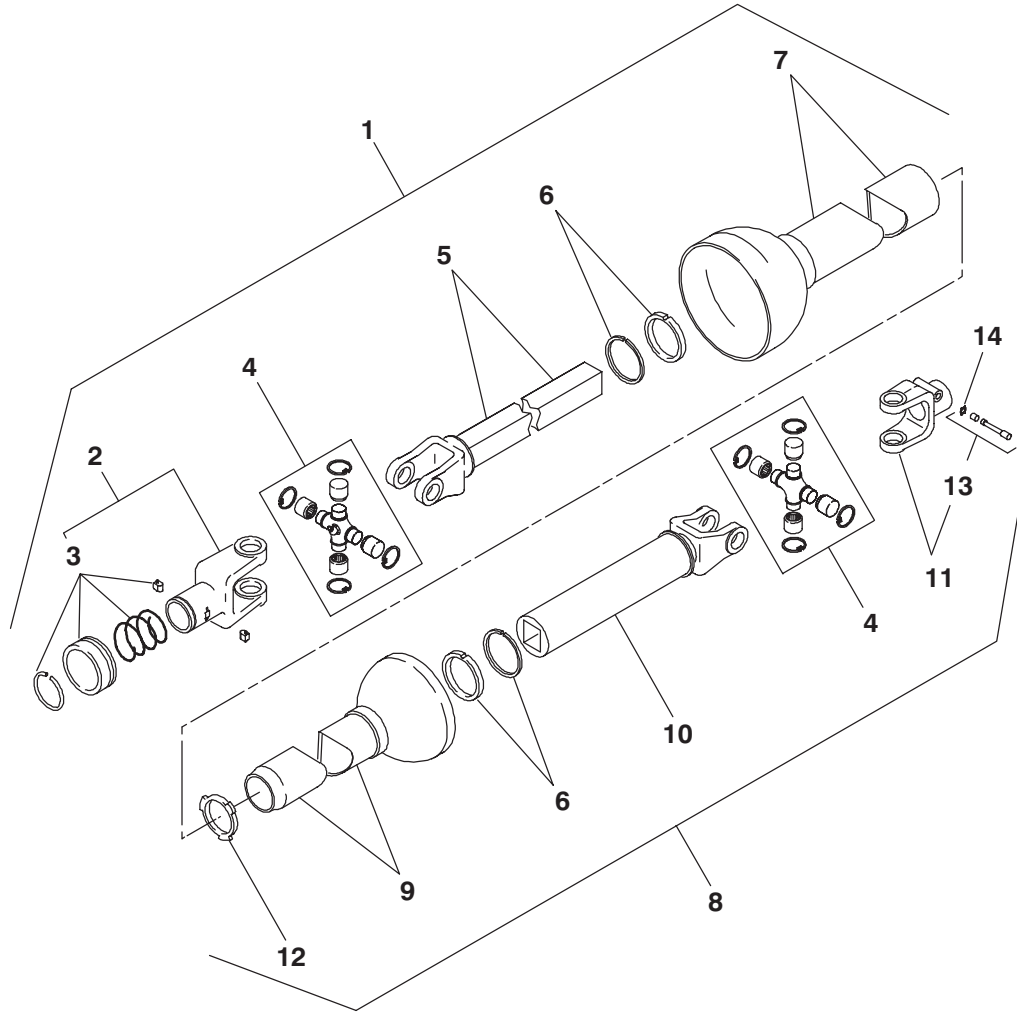


MX125 - UNIVERSAL DRIVE (AFTER SN12900)



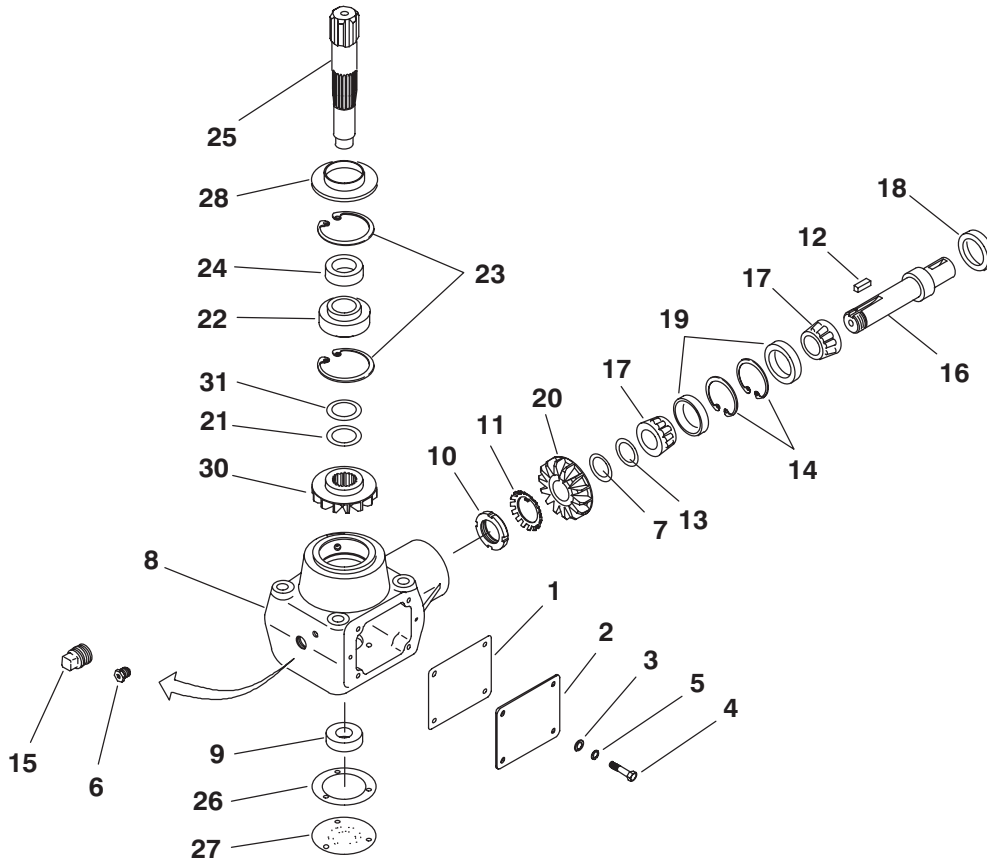
Ref. No.	Part No.	Description	Qty. Req.	Ref. No.	Part No.	Description	Qty. Req.
01	065248	JOINT/UNIV. W/SQ SHAFT (540 RPM) . . .	1	06	095132	KIT/REPAIR	1
	065178	JOINT/UNIV. W/SQ SHAFT (1000 RPM) .	1	07	049288	GUARD/FEMALE	1
02	065249	YOKE/SLIDE (540 RPM)	1	08	092537	JOINT/UNIV. W/SQ TUBE	1
	510247	YOKE/SLIDE (1000 RPM)	1	09	093711	GUARD/MALE	1
03	095166	KIT/SLIDE LOCK	1	10	093710	YOKE & TUBE	1
04	510197	KIT/CENTER CROSS	2	11	093706	YOKE/ASSMD	1
05	049287	YOKE	1	12	510215	BEARING/CENTRALIZER	1

MX125 - UNIVERSAL DRIVE (BEFORE SN12901)



Ref. No.	Part No.	Description	Qty. Req.	Ref. No.	Part No.	Description	Qty. Req.
01	065248	JOINT/UNIV W/SQ. SHAFT (540 RPM)	1	07	049288	GUARD/FEMALE	1
	065178	JOINT/UNIV W/SQ. SHAFT (1000 RPM)	1	08	065035	JOINT/UNIVERSAL W/SQ. TUBE	1
02	065249	YOKE/SLIDE (540 RPM)	1	09	049290	GUARD/MALE	1
	510247	YOKE/SLIDE (1000 RPM)	1	10	065048	YOKE & TUBE	1
03	095166	KIT/SLIDE LOCK	1	11	045907	YOKE	1
04	510197	KIT/CENTER CROSS	2	12	510215	BEARING/CENTRALIZER	1
05	049287	YOKE	1	13	045913	PIN/LOCK W/SPRING	1
06	095132	KIT/REPAIR	2	14	045912	WASHER	1

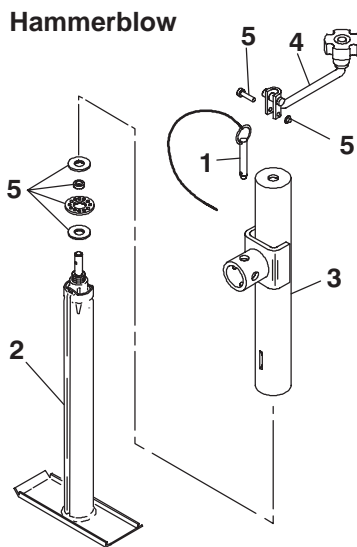
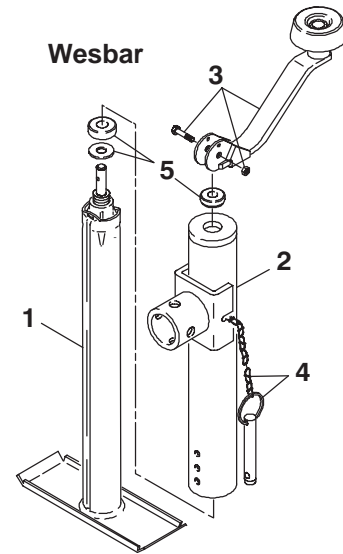
MX125 - TRANSMISSION



Ref. No.	Part No.	Description	Qty. Req.	Ref. No.	Part No.	Description	Qty. Req.
01	064475	GASKET/COVER	1	16	064472	SHAFT/TRANSMISSIONDRIVE	1
02	064476	COVER/TRANSMISSIONHOUSING ...	1	17	520201	CONE/BEARING	2
03	654004	FW 5/16	4	18	064474	SEAL/OIL	1
04	650486	CS 5/16X3/4	7	19	520054	CUP/BEARING	2
05	654024	LW 5/16	7	20	076073	GEAR/TRANSMISSION.....	1
06	570016	FITTING/RELIEF.....	1	21	064478	FW 1-25/64	2
07	061528	FW 1.27	2	22	058501	BEARING/BALL	1
08	064467	HOUSING/TRANSMISSION	1	23	540006	RING/RETAINING	2
09	064471	BEARING/BALL	1	24	520153	COLLAR/BEARING	1
10	520154	NUT/LOCK.....	1	25	064473	SHAFT/CONVEYOR	1
11	520155	WASHER/LOCK	1	26	047697	GASKET/BEARING	1
12	064469	KEY/SQUARE	1	27	064470	COVER/BEARING	1
13	075060	FW 1-9/32	2	28	064477	CAP/BEARING	1
14	069528	RING/RETAINING	2	30	076074	GEAR/TRANSMISSION.....	1
15	660004	PLUG/PIPE 1/2 SQ HD	1	31	064479	FW 1-25/64	2

MX125 - HITCHJACK (EARLY STYLE)

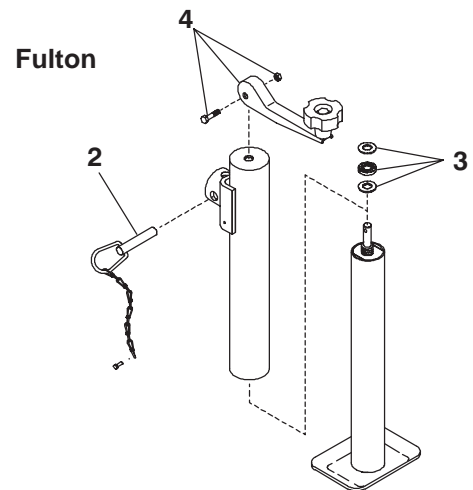
Ref. No.	Part No.	Description	Qty. Req.
	071117	HITCHJACK - (WESBAR)	1
CONSISTS OF:			
01	076867	TUBE/INNER	1
02	076868	TUBE/OUTER	1
03	076866	HANDLE	1
04	061276	PIN & CHAIN	1
05	094300	KIT/INTERNAL PARTS	1



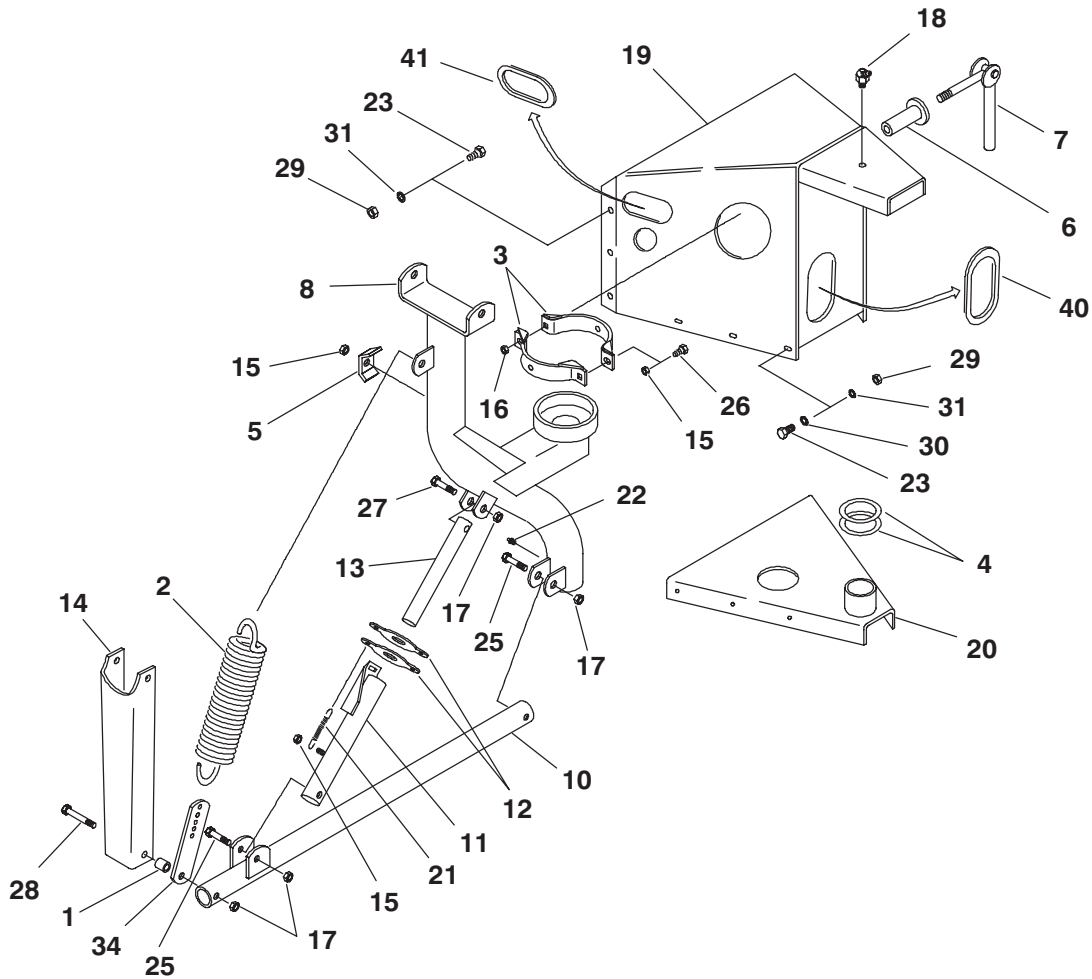
Ref. No.	Part No.	Description	Qty. Req.
	071117	HITCHJACK - (HAMMERBLOW) ...	1
CONSISTS OF:			
01	061276	PIN & CHAIN	1
02	061341	TUBE/INNER	1
03	061342	TUBE/OUTER	1
04	055682	HANDLE	1
05	071271	KIT/REPAIR (INCLUDES CRANK PIN, PUSHNUT, THRUST WASHER, BALL & CAGE BEARING, FELT SPACER & SUPPORT WASHER ...	1

(LATER STYLE)

Ref. No.	Part No.	Description	Qty. Req.
	143469	HITCHJACK - FULTON	1
CONSISTS OF:			
02	143601	KIT/PIN & CHAIN	1
03	143599	KIT/BEARING	1
04	143603	KIT/JACK HANDLE	1

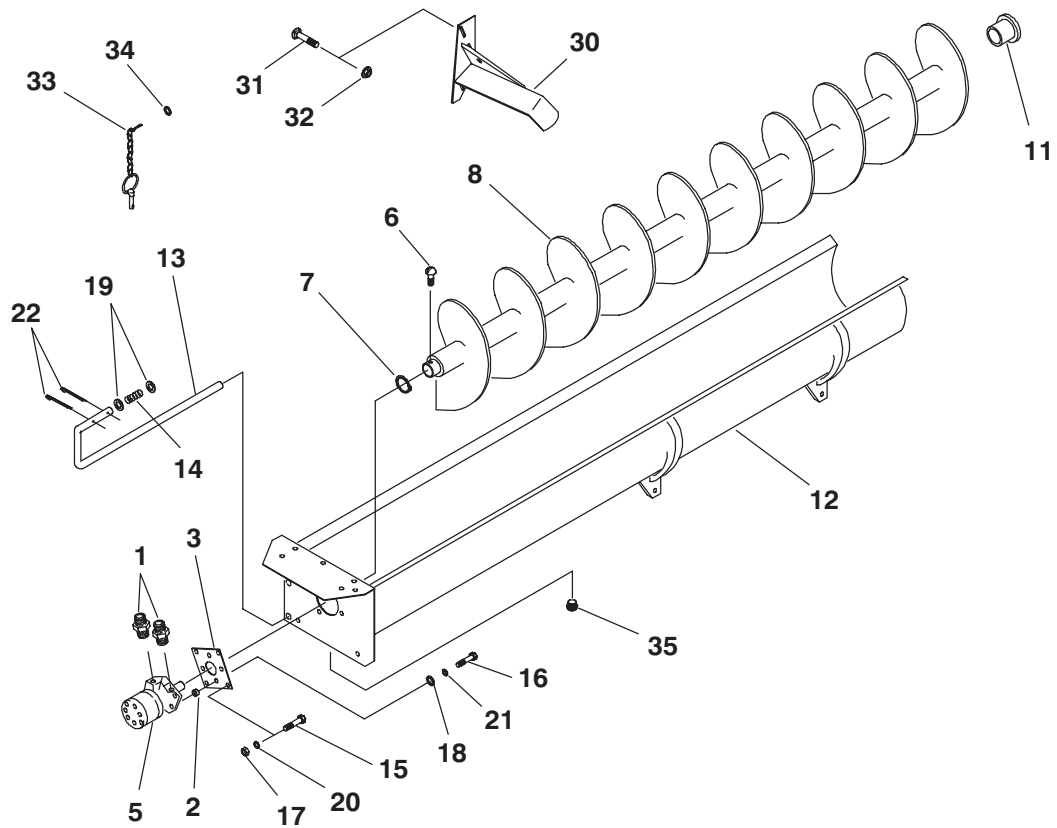


MX125 - FEEDER ATTACHMENTS (SAF)



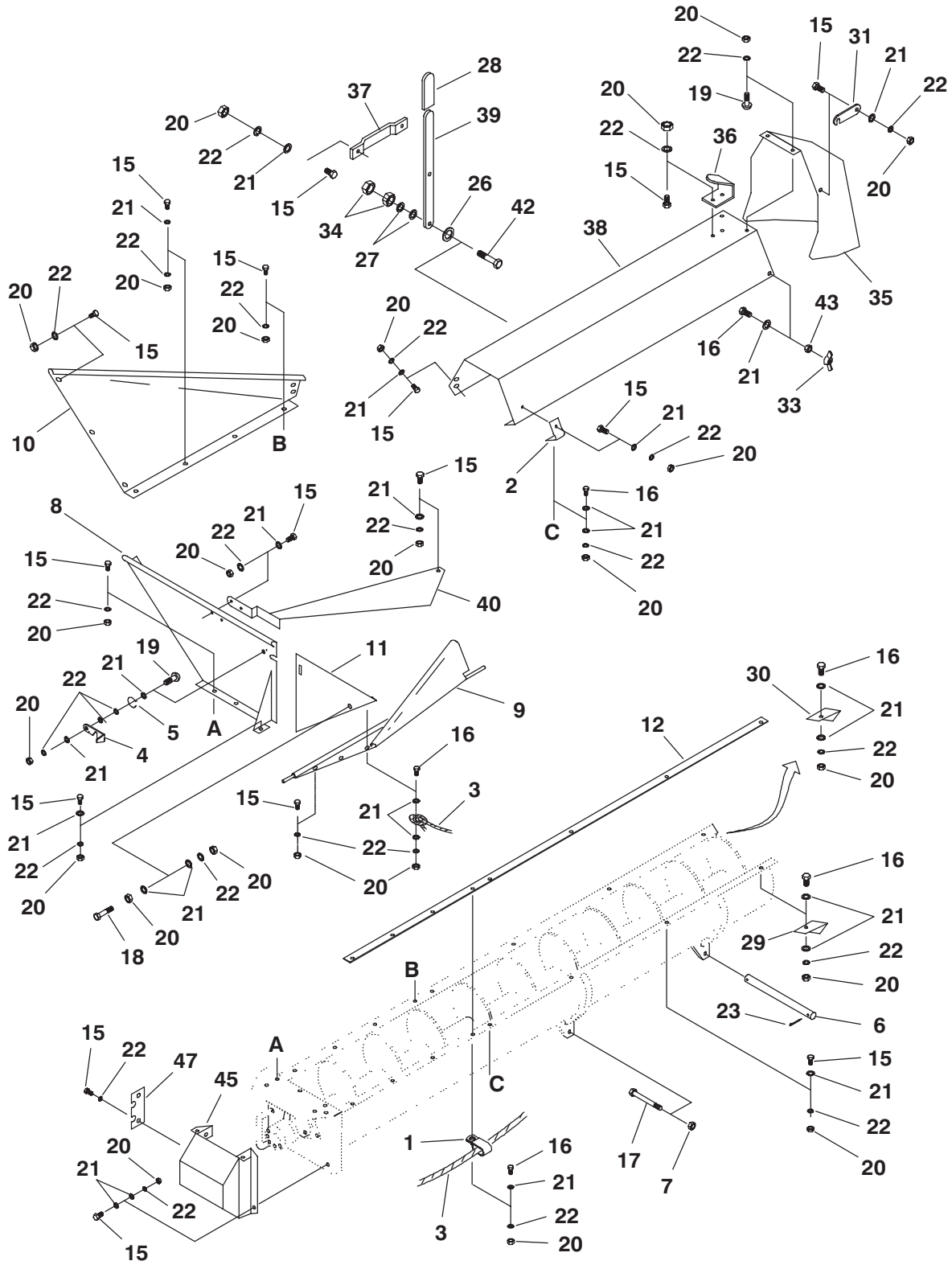
Ref. No.	Part No.	Description	Qty. Req.	Ref. No.	Part No.	Description	Qty. Req.
01	D9015	SPACER/TRANS SUPPORT	1	18	075685	FITTING/GREASE	1
02	040174	SPRING	1	19	075878	PIVOT/SUPPORT ASSY	1
03	042350	BAND/BRAKE	2	20	075882	SUPPORT/PIVOT LOWER ASSY	1
04	057758	FW 2-1/3	2	21	17H387	SPRING/EXTENSION	1
05	065157	CLAMP/TUBE	1	22	570014	FITTING/GREASE	1
06	065448	SPACER/ASSY	1	23	650490	CS 3/8X1	12
07	065450	TIGHTENER/ASSY	1	25	650502	CS 1/2X2-1/4	2
08	065453	TUBE/TROUGH PIVOT ASSY	1	26	650545	CS 5/16X1-1/4	1
10	065465	SUPPORT/LIFT ASSY	1	27	650585	CS 1/2X2	1
11	065468	TUBE/LIFT ASSY	1	28	650650	CS 1/2X3-1/2	1
12	065470	SEGMENT/LOCK	2	29	653010	HN 3/8	12
13	065471	SHAFT/LIFT	1	30	654006	FW 3/8	6
14	065472	SEGMENT/LIFT SUPPORT	1	31	654026	LW 3/8	12
15	071701	LN 5/16	3	34	9H371	SEGMENT/SPRING	1
16	071703	LN 3/8	1	40	069241	STRIP/TRIM	1
17	071706	LN 1/2	4	41	069242	STRIP/TRIM	1

MX125 - FEEDER ATTACHMENTS (SAF)



Ref. No.	Part No.	Description	Qty. Req.	Ref. No.	Part No.	Description	Qty. Req.
01	054850	UNION/HYD FITTING	2	17	653007	HN 5/16	4
02	064639	BUSHING	4	18	654006	FW 3/8	4
03	064640	MOUNT/MOTOR	1	19	654009	FW 1/2	2
05	065500	MOTOR/HYDRAULIC	1	20	654024	LW 5/16	4
06	071538	SQHSS 5/16X3/8	1	21	654026	LW 3/8	4
07	071539	RING/RETAINING	1	22	655041	CP 3/16-3/4	2
08	075884	CONVEYOR/ASSY	1	30	075930	SUPPORT/TRANSPORT ASSY	1
11	075924	PLUG/HOLE	1	31	650573	CB 5/16X1	3
12	077723	TROUGH/ASSEMBLY	1	32	070648	FLN 5/16	3
13	077725	HANDLE/LATCH	1	33	064861	PIN/HITCH	1
14	13E29	SPRING/CLUTCH	1	34	650848	FW #6	1
15	650486	CS 5/16X3/4	4	35	071964	PLUG	2
16	650490	CS 3/8X1	4				

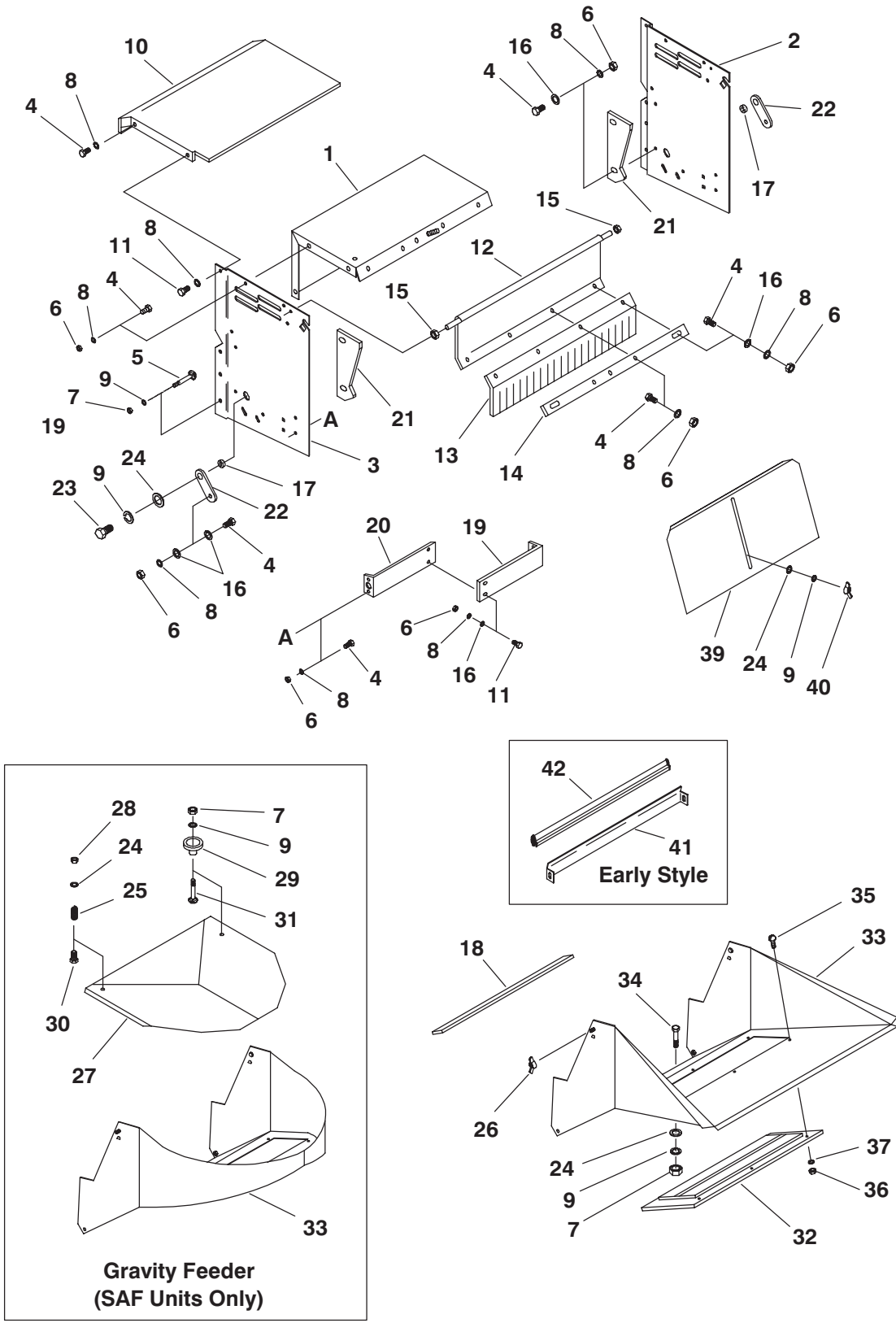
MX125 - FEEDER ATTACHMENTS (SAF)



MX125 - FEEDER ATTACHMENTS (SAF)

Ref. No.	Part No.	Description	Qty. Req.	Ref. No.	Part No.	Description	Qty. Req.
01	048967	CLAMP/HOSE	1	23	655016	CP 3/16X1	2
02	065134	SUPPORT/PIVOT	1	26	054886	WASHER/THROTTLE	1
03	065135	CORD	1	27	054959	WASHER/SPRING	2
04	065137	LATCH/RIGHT TROUGH	1	28	062282	GRIP	1
05	065138	LATCH/SPRING	1	29	065124	TAB/COVER EXTENSION RT	1
06	065461	PIN/PIVOT	1	30	065125	TAB/COVER EXTENSION LT	1
07	071706	LN 1/2	1	31	065153	HOLDER/COVER	1
08	075889	END/TROUGH ASSY	1	33	065389	WN 5/16	1
09	075892	SIDE/TROUGH ASSY	1	34	071701	LN 5/16	2
10	075895	SIDE/TROUGH LEFT	1	35	075905	EXTENSION/TROUGH ASSY	1
11	075896	EXTENSION/TROUGH END RT	1	36	075907	STOP/EXTENSION TROUGH	1
12	075897	SCRAPER	1	37	075912	GUIDE/HANDLE	1
15	650486	CS 5/16X3/4	38	38	075916	COVER/CONVEYOR	1
16	650487	CS 5/16X1	8	39	075925	HANDLE	1
17	650496	CS 1/2X5	1	40	075926	GUARD/SAF AUGER ASSY	1
18	650692	CS 5/16X1-3/4	1	42	650545	CS 5/16X1-1/4	1
19	650949	THMS SLTD 5/16X3/4	3	43	653034	JN 5/16	1
20	653007	HN 5/16	47	45	075908	SHIELD/ASSY	1
21	654004	FW 5/16	46	47	081238	COVER	1
22	654024	LW 5/16	50				

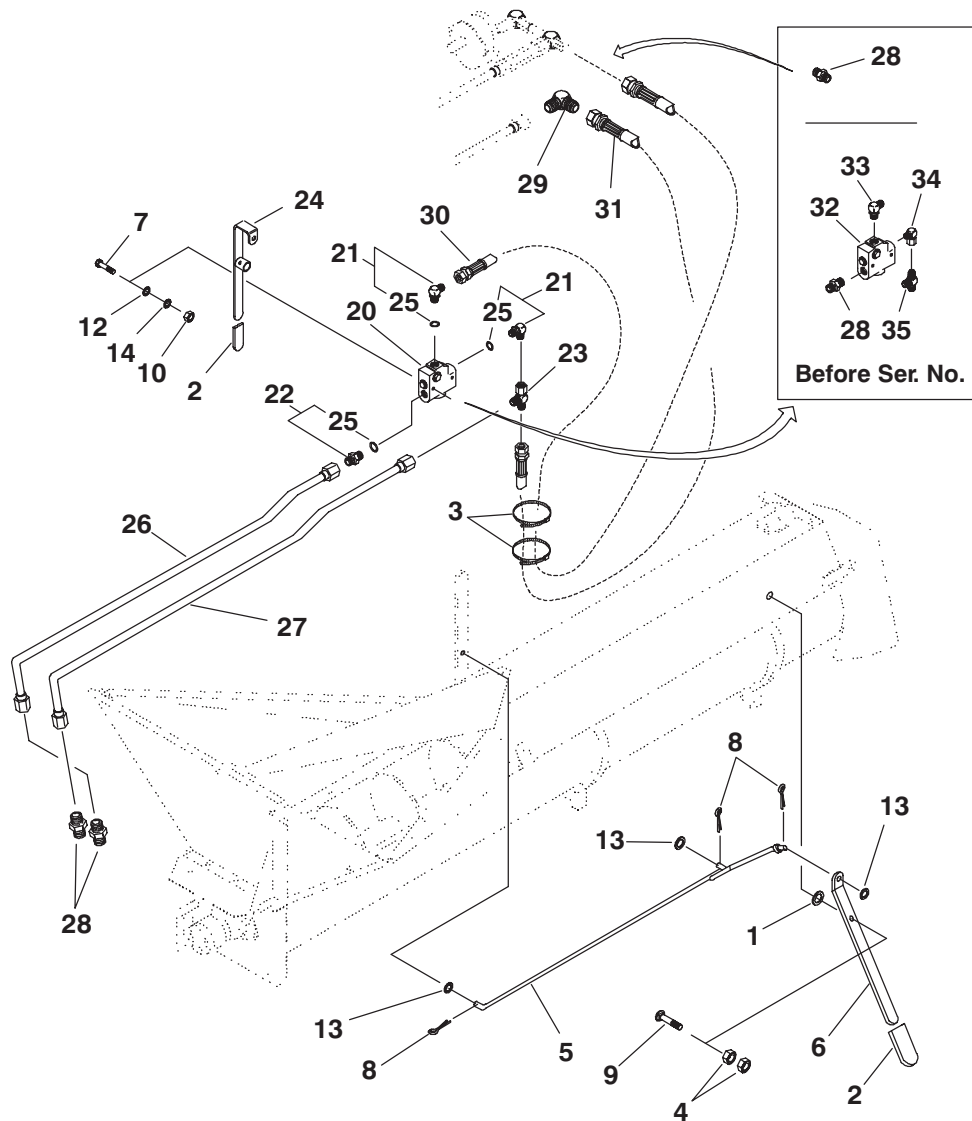
MX125 - FEEDER ATTACHMENTS - (GF) COMMON PARTS



MX125 - FEEDER ATTACHMENTS - (GF) COMMON PARTS

Ref. No.	Part No.	Description	Qty. Req.	Ref. No.	Part No.	Description	Qty. Req.
01	065391	COVER/UPPER CHUTE	1	22	065400	LINK/HOPPER ADJUSTMENT	2
02	079395	PLATE/SIDE PLAIN FT ASSY	1	23	650490	CS 3/8X1	2
03	079397	PLATE/SIDE PLAIN REAR ASSY	1	24	654006	FW 3/8	14
04	650486	CS 5/16X3/4	22	25	A162	SPRING/ROLLER GUARD	1
05	650704	CB 3/8X1	6	26	065389	WN 5/16	2
06	653007	HN 5/16	22	27	065406	LID/HOPPER	1
07	653010	HN 3/8	18	28	071703	LN 3/8	1
08	654024	LW 5/16	26	29	073186	KNOB/PLASTIC	1
09	654026	LW 3/8	20	30	650535	CS 3/8X2-1/4	1
10	065393	COVER/HOPPER LT	1	31	650860	CB 3/8X1-3/4	1
11	650487	CS 5/16X1	4	32	042188	MAGNET/20"	1
12	065432	BAFFLE	1	33	073189	HOPPER/ASSY (SAF UNITS ONLY)	1
13	065434	FLAP	1		065383	HOPPER/GRAVITY	1
14	065435	STRIP	1	34	650790	CB 3/8X3/4	10
15	653034	JN 5/16	2	35	650946	THMS 1/4X1	6
16	654004	FW 5/16	10	36	653005	HN 1/4	6
17	064639	BUSHING	2	37	654022	LW 1/4	6
18	064758	STRIP/FOAM TAPE	1	39	065390	SHUTTER (WITHOUT SAF)	1
19	065395	BRACE/SIDE PLATE FRONT	1	40	653098	WN/LIGHT 3/8	1
20	065396	BRACE/SIDE PLATE REAR	1	41	065397	BRACKET/SEAL (EARLY STYLE)	1
21	065399	SEAL/HOPPER	2	42	065398	SEAL/THROAT PLATE (EARLY STYLE) .	1

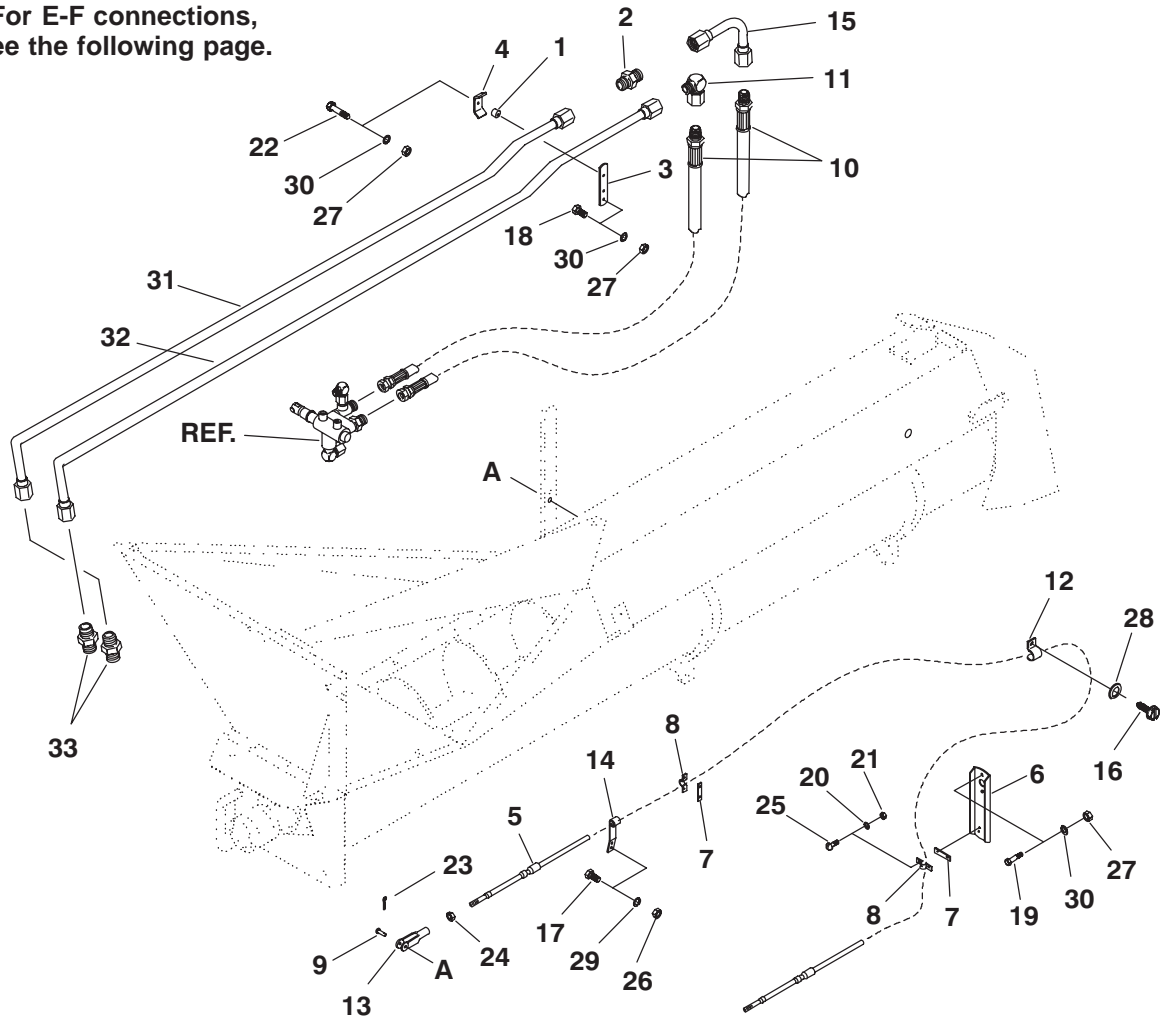
MX125 - FEEDER ATTACHMENTS - (GF w/SAF)



Ref. No.	Part No.	Description	Qty. Req.	Ref. No.	Part No.	Description	Qty. Req.
01	B11343	FW 13/32	1	22	072580	UNION/HYD FITTING	1
02	062282	GRIP	2	23	058610	TEE/HYDRAULIC FITTING	1
03	063592	TIE/CABLE	2	24	075917	ARM/CONTROL ROD	1
04	071703	LN 3/8	2	25	055898	O-RING	3
05	075913	ROD/FLOW CONTROL ASSY	1	26	075920	TUBE/HYDRAULIC	1
06	075929	HANDLE/CONTROL	1	27	075921	TUBE/HYDRAULIC	1
07	650449	CS 1/4X2-1/2	2	28	054850	UNION/HYD FITTING (AFTER SN15800) ..	2
08	650553	CP 1/8X3/4	3			UNION/HYD FITTING (BEFORE SN15801)	4
09	650786	CB 3/8X1-1/4	1	29	056086	ELBOW/HYD FITTING 90 DEG	2
10	653005	HN 1/4	2	30	075922	HOSE/ASSY	1
12	654002	FW 1/4	2	31	075928	HOSE/ASSY	1
13	654006	FW 3/8	3	32	048968	VALVE/HYDRAULIC	1
14	654022	LW 1/4	2	33	054848	ELBOW/90 DEG MALE	1
20	093810	VALVE/HYDRAULIC	1	34	065506	ELBOW/90 DEG FEMALE	1
21	067761	ELBOW/HYD FITTING	2	35	064669	TEE/HYD FITTING	1

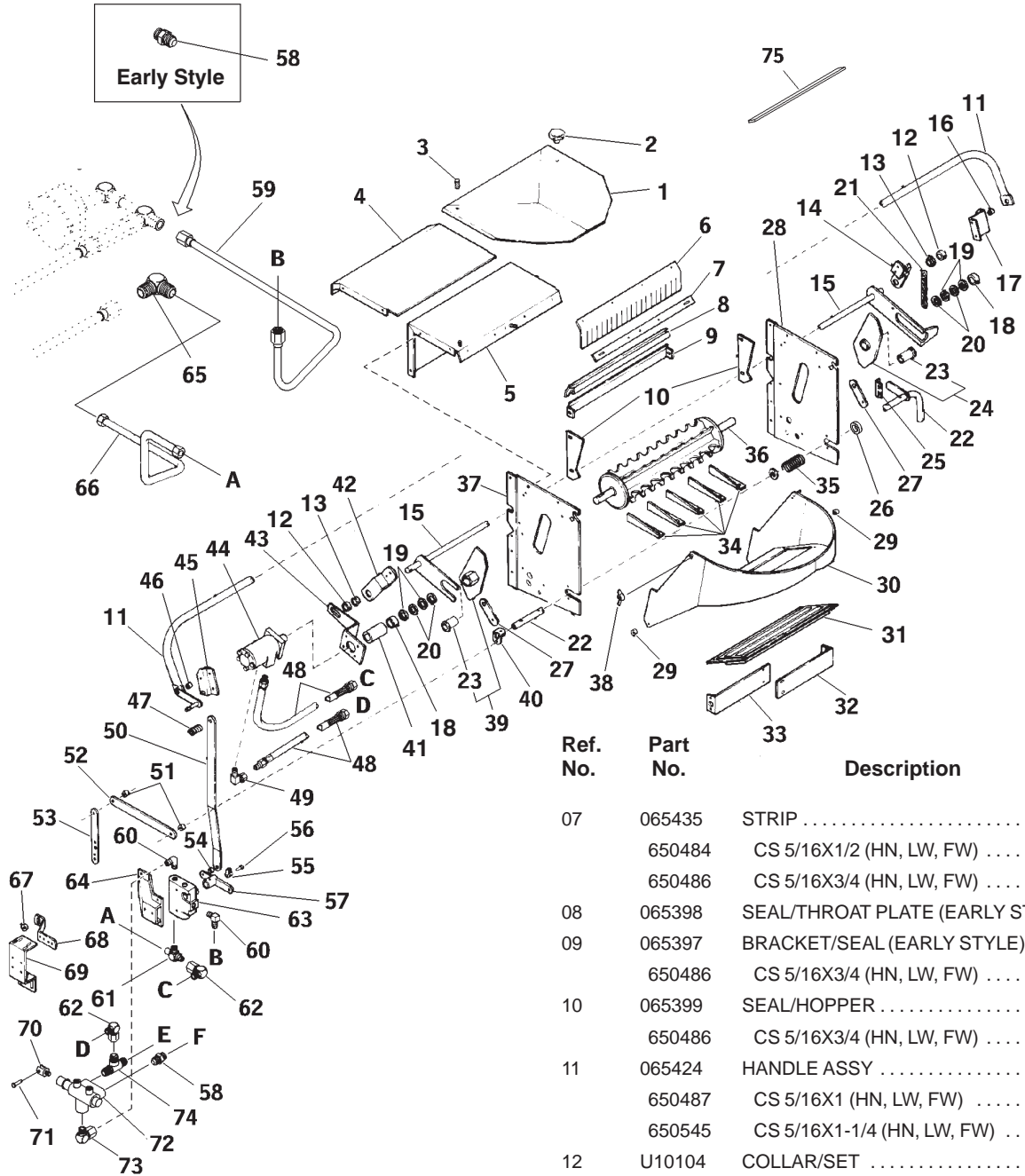
MX125 - FEEDER ATTACHMENTS - (SAF/FR)

For E-F connections,
see the following page.



Ref. No.	Part No.	Description	Qty. Req.	Ref. No.	Part No.	Description	Qty. Req.
01	H8010	BUSHING/SNAPPER BAR	1	17	650448	CS 1/4X3/4	2
02	064664	UNION/STRAIGHT CONNECTOR	1	18	650486	CS 5/16X3/4	6
03	065154	HOLDER/TUBE	1	19	650487	CS 5/16X1	2
04	065157	CLAMP/TUBE	1	20	650549	LW #10	4
05	065160	CABLE/SAF CONTROL	1	21	650550	HN MS #10-24	4
06	065161	HOLDER/CONTROL	1	22	650577	CS 5/16X1-1/2	1
07	065162	SHIM/CLAMP	2	23	650590	CP 1/16X1/2	2
08	065163	CLAMP	2	24	650648	HN MS #10-32	2
09	065165	PIN/CLEVIS	1	25	650815	RHMS#10-24X3/4	4
10	065173	HOSE/ASSY	2	26	653005	HN 1/4	2
11	065415	ELBOW/HYD FITTING	1	27	653007	HN 5/16	11
12	072198	CLAMP/CABLE	1	28	654002	FW 1/4	1
13	075042	YOKE/END	1	29	654022	LW 1/4	2
14	075873	GUIDE/CONNECTOR	1	30	654024	LW 5/16	11
15	075874	TUBE/HYDRAULIC	1	31	075920	TUBE/HYDRAULIC	1
16	650315	TCS 1/4X1/2	1	32	075921	TUBE/HYDRAULIC	1
				33	054850	UNION/HYD FITTING	2

MX125 - FEEDER ATTACHMENTS - (SAF/FR)



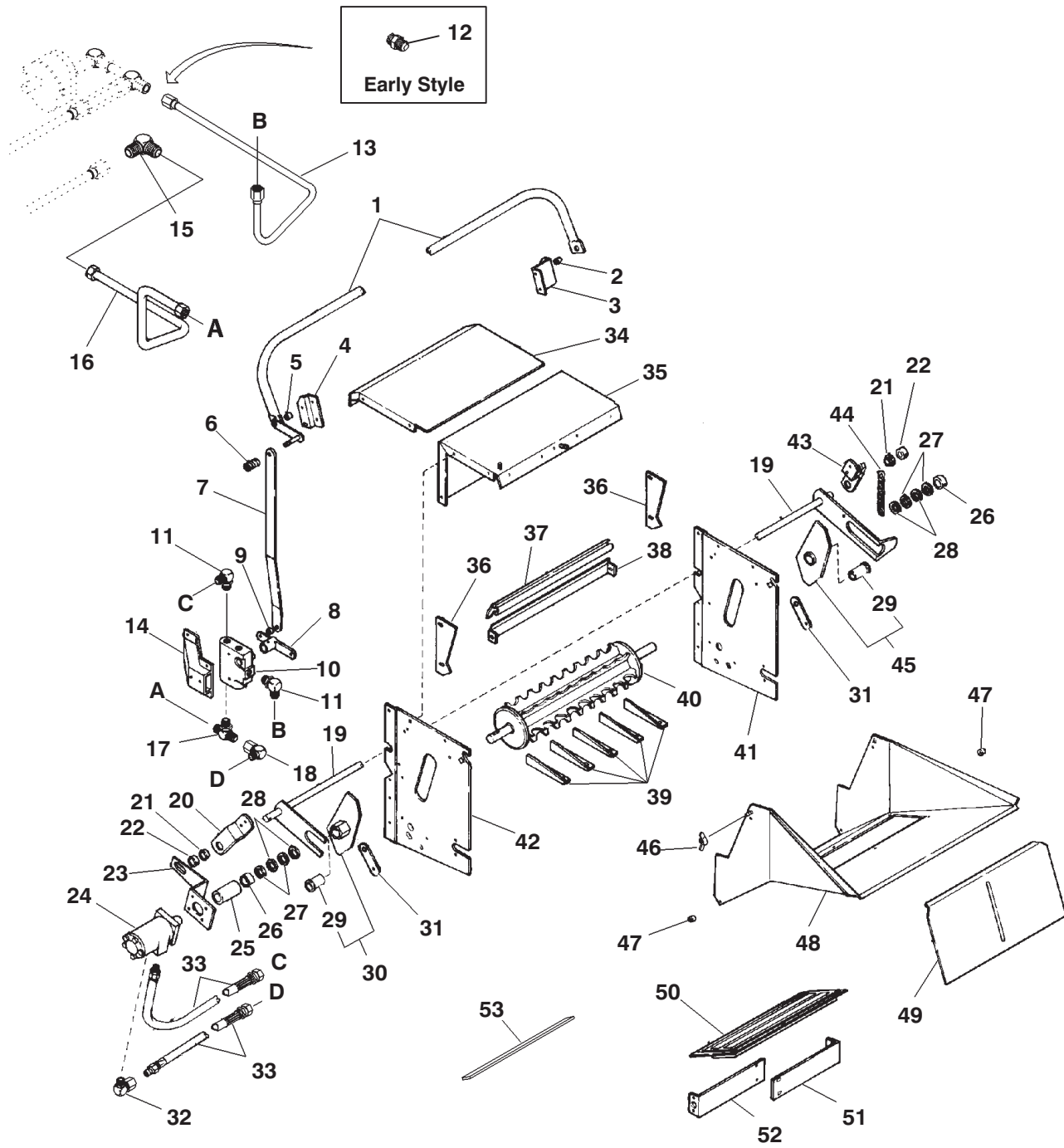
Ref. No.	Part No.	Description	Qty. Req.
01	065406	LID/HOPPER	1
02	073186	KNOB/PLASTIC	1
	650860	CB 3/8X1-3/4 (HN, LW)	1
03	A162	SPRING/ROLLER GUARD	1
04	065393	COVER/HOPPER LEFT	1
	650486	CS 5/16X3/4 (LW)	2
05	065391	COVER/UPPER CHUTE	1
	650487	CS 5/16X1 (HN, LW)	6
06	065434	FLAP	1

Ref. No.	Part No.	Description	Qty. Req.
07	065435	STRIP	1
	650484	CS 5/16X1/2 (HN, LW, FW)	2
	650486	CS 5/16X3/4 (HN, LW, FW)	2
08	065398	SEAL/THROAT PLATE (EARLY STYLE)	1
09	065397	BRACKET/SEAL (EARLY STYLE)	1
	650486	CS 5/16X3/4 (HN, LW, FW)	2
10	065399	SEAL/HOPPER	2
	650486	CS 5/16X3/4 (HN, LW, FW)	4
11	065424	HANDLE ASSY	1
	650487	CS 5/16X1 (HN, LW, FW)	1
	650545	CS 5/16X1-1/4 (HN, LW, FW)	1
12	U10104	COLLAR/SET	2
	650338	SHSS 1/4X1/4	2
13	054925	BUSHING/PIVOT	2
14	065494	BRKT/FRT PIVOT ARM ASSY	1
	650486	CS 5/16X3/4 (HN, LW)	2
15	065489	EQUALIZER/ASSY	1
	655508	CP 1/8X1-1/4	1
	650338	SHSS-SL 1/4X1/4	2
16	R13055	BUSHING	1
17	065422	BRACKET/HANDLE PIVOT FRONT	1
	650486	CS 5/16X3/4 (HN, LW)	1
18	S16174	COLLAR/SET	2
	650202	SHSS 5/16X5/16	2

MX125 - FEEDER ATTACHMENTS - (SAF/FR)

Ref. No.	Part No.	Description	Qty. Req.	Ref. No.	Part No.	Description	Qty. Req.
19	065487	WASHER/SPRING	4	47	054294	SPRING	1
20	17H140	WASHER/SHIM	4			(1) 3/8 LN, FW	
21	065493	CHAIN	1	48	058613	HOSE/ASS'Y 1/2X33	2
	650490	CS 3/8X1 (HN, LW, FW)	1	49	580116	UNION/90 DEG. SWIVEL ADAPTER	1
22	075995	HANDLE/SELECTOR VALVE	1	50	065428	LINK/HANDLE TO LEVER	1
	655006	CP 1/8X1 (1) 5/8 FW	2		650487	CS 5/16X1 (HN, LW, FW)	1
23	065483	BUSHING/BRONZE	2	51	B11242	BUSHING	2
24	065482	HUB/FRONT ASSY	1	52	065513	LINK/CONNECTOR	1
	570014	FITTING/GREASE	1		650487	CS 5/16X1 (HN, LW, FW)	1
25	075997	STOP/VALVE HANDLE	1	53	065509	LINK/PIVOT	1
	650949	THMS 5/16X3/4 (HN, LW)	2		650487	CS 5/16X1 (HN, LW, FW)	1
	650545	CB 5/16X3/4 (HN, LW)	1	54	H6053	SPACER	1
26	052087	HUB/ARM TIGHTENER	1	55	075042	YOKE/END (1) #10-32 HN	1
27	065400	LINK/HOPPER ADJUSTMENT	2	56	065165	PIN/CLEVIS	1
	650486	CS 5/16X3/4 (HN, LW, FW)	2		650877	CP 3/32X5/8	1
	650490	CS 3/8X1 (LW)	2	57	065416	LEVER/CONTROL VALVE ASSY	1
28	065473	PLATE/SIDE-ROLLFEEDER FRT	1	58	054850	CONNECTOR/STRAIGHT MALE (AFTER SN15800)	1
29	064639	BUSHING	2			(BEFORE SN15801)	2
30	065401	HOPPER/ASSY	1	59	112929	TUBE/PRESSURE (AFTER SN15800)	1
	650790	CB 3/8X3/4 (HN, LW, FW)	10		065413	TUBE/PRESSURE (BEFORE SN15801)	1
31	042188	MAGNET/20"	1	60	067761	ELBOW/90 DEG (AFTER SN15800)	2
	650945	THMS 1/4X3/4 (HN, LW)	6		054848	ELBOW/90 DEG (BEFORE SN15801)	2
32	065395	BRACE/SIDE PLATE FRONT	1		055898	O-RING #10	2
	650486	CS 5/16X3/4 (HN, LW)	2	61	088044	TEE/MALE BRANCH (AFTER SN15800)	1
33	065396	BRACE/SIDE PLATE REAR	1		054847	TEE/MALE BRANCH (BEFORE SN15801)	1
	650487	CS 5/16X1 (HN, LW)	2		055898	O-RING #10	1
34	065497	GUIDE/FLAKE	5	62	065415	ELBOW/SWIVEL	2
35	064985	SPRING/COMPRESSION	1	63	093810 _a	CONTROL/FLOW (AFTER SN15800)	1
36	065479	ROLLER/ASSY	1		048968 _a	CONTROL/FLOW (BEFORE SN15801)	1
	650513	KEY/WOODRUFF 1/4X1	1		650449	CS 1/4X2-1/2 (HN, LW)	2
37	065474	PLATE/SIDE-ROLLFEEDER REAR	1	64	065408	BRACKET/CONTROL VALVE ASSY	1
38	065389	WN 5/16	2		650486	CS 5/16X3/4 (HN, LW)	2
39	065486	HUB/REAR ASSY	1	65	056086	ELBOW/90 DEG UNION	1
	570014	FITTING/GREASE	1	66	065414	TUBE/RETURN	1
40	075998	ARM/HANDLE REAR	1	67	19E27	BUSHING	1
	650426	CS 1/4X1-1/4 (LN)	1	68	065508	BRACKET/PIVOT	1
41	065488	COUPLING	1	69	065502	HOLDER/SELECTOR VALVE	1
	650202	SHSS 5/16X5/16	1		650486	CS 5/16X3/4 (HN, LW, FW)	2
42	065495	BRACKET/REAR PIVOT ARM ASSY	1	70	050034	CLEVIS (1) 3/8 LW	1
	650486	CS 5/16X3/4 (HN, LW)	2	71	050035	PIN/CLEVIS	1
43	065498	BRACKET/MOTOR	1		650877	CP 3/32X5/8	1
44	065500 _a	MOTOR/HYDRAULIC - CHARLYNN	1	72	065024 _a	VALVE/SELECTOR - GRESEN	1
	650488	CS 3/8X3/4 (LW)	4		650486	CS 5/16X3/4 (LW, FW)	2
45	065423	BRACKET/HANDLE PIVOT REAR	1	73	065506	ELBOW/HYD FITTING 90 DEG.	1
	650486	CS 5/16X3/4 (HN, LW, FW)	1	74	065507	TEE/MALE RUN	1
	650545	CS 5/16X1-1/4 (2 HN, LW, FW)	1	75	064758	STRIP/FOAM TAPE	1
46	H8010	BUSHING	1	a) For service, see 'Hydraulic Components' pages.			

MX125 - FEEDER ATTACHMENTS - (FR)

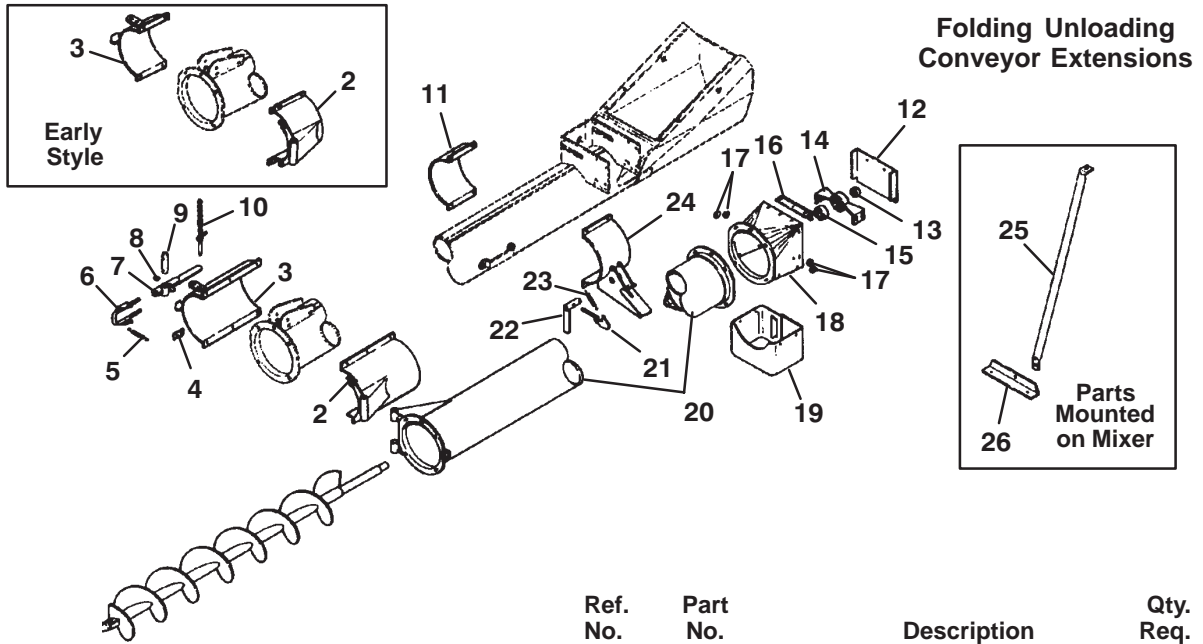


MX125 - FEEDER ATTACHMENTS - (FR)

Ref. No.	Part No.	Description	Qty. Req.	Ref. No.	Part No.	Description	Qty. Req.
01	065424	HANDLE/ASSY	1	26	S16174	COLLAR/SET	2
	650487	CS 5/16X1 (HN, LW, FW)	1		650202	SHSS 5/16X5/16	2
	650545	CS 5/16X1-1/4 (HN, LW, FW)	1	27	065487	WASHER/SPRING	4
02	R13055	BUSHING	1	28	17H140	WASHER/SHIM (EARLY STYLE)	4
03	065422	BRACKET/HANDLE PIVOT FRONT	1	29	065483	BUSHING/BRONZE	2
	650486	CS 5/16X3/4 (HN, LW)	1	30	065486	HUB/REAR	1
04	065423	BRACKET/HANDLE PIVOT REAR	1		570014	FITTING/GREASE	1
	650486	CS 5/16X3/4 (HN, LW, FW)	1	31	065400	LINK/HOPPER ADJUSTMENT	2
	650545	CS 5/16X1-1/4 (2 HN, LW, FW)	1		650486	CS 5/16X3/4 (HN, LW, FW)	2
05	H8010	BUSHING	1		650490	CS 3/8X1 (LW)	2
06	054294	SPRING	1	32	580116	ELBOW/HYD FITTING 90 DEG	1
		(1) 3/8 LN, FW		33	058613	HOSE/ASSY 1/2X33	2
07	065428	LINK/HANDLE TO LEVER	1	34	065393	COVER/HOPPER LEFT	1
	650487	CS 5/16X1 (HN, LW, FW)	1		650486	CS 5/16X3/4 (LW)	2
08	065416	LEVER/CONTROL VALVE ASSY	1		650487	CS 5/16X1 (LW)	2
09	H6053	SPACER	1	35	065391	COVER/UPPER CHUTE	1
10	093810 _a	CONTROL/FLOW (AFTER SN15800)	1		650487	CS 5/16X1 (HN, LW)	6
	048968 _a	CONTROL/FLOW (BEFORE SN15801)	1	36	065399	SEAL/HOPPER	2
	650449	CS 1/4X2-1/2 (HN, LW)	2		650486	CS 5/16X3/4 (HN, LW, FW)	4
11	067761	ELBOW/90 DEG (AFTER SN15800)	2	37	065398	SEAL/THROAT PLATE (EARLY STYLE)	1
	054848	ELBOW/90 DEG (BEFORE SN15801)	2	38	065397	BRACKET/SEAL (EARLY STYLE)	1
	055898	O-RING #10	2		650486	CS 5/16X3/4 (HN, LW, FW)	2
12	054850	UNION/HYD FITTING (EARLY STYLE)	1	39	065497	GUIDE/FLAKE	5
13	112929	TUBE/PRESSURE (AFTER SN15800)	1	40	065479	ROLLER/ASSY	1
	065413	TUBE/PRESSURE (BEFORE SN15801)	1		650513	KEY/WOODRUFF 1/4X1	1
14	065408	BRACKET/CONTROL VALVE ASSY	1	41	065473	PLATE/SIDE-ROLLFEEDER FRONT	1
	650486	CS 5/16X3/4 (HN, LW)	2	42	065474	PLATE/SIDE-ROLLFEEDER REAR	1
15	056086	ELBOW/HYD FITTING 90 DEG	1	43	065494	BRACKET/FRT PIVOT ARM ASSY	1
16	065414	TUBE/RETURN	1		650486	CS 5/16X3/4 (HN, LW)	2
17	088044	TEE/HYD FITTING (LATER STYLE)	1	44	065493	CHAIN	1
	054847	TEE/HYD FITTING (EARLY STYLE)	1		650490	CS 3/8X1 (HN, LW, FW)	1
	055898	O-RING #10	1	45	065482	HUB/FRONT	1
18	065415	ELBOW/HYD FITTING 90 DEG	1		570014	FITTING/GREASE	1
19	065489	EQUALIZER/ASSY	1	46	065389	WN 5/16 (EARLY STYLE)	2
	655508	CP 1/8X1-1/4	1	47	064639	BUSHING	2
	650338	SHSS 1/4X1/4	2	48	065383	HOPPER/GRAVITY	1
20	065495	BRACKET/REAR PIVOT ARM ASSY	1		650790	CB 3/8X3/4 (HN, LW, FW)	10
	650486	CS 5/16X3/4 (HN, LW)	2	49	065390	SHUTTER	1
21	054925	BUSHING/PIVOT	2			(1) 3/8 WN, LW, FW	
22	U10104	COLLAR/SET	2	50	042188	MAGNET/20"	1
	650338	SHSS 1/4X1/4	2		650945	THMS 1/4X3/4 (HN, LW)	6
23	065498	BRACKET/MOTOR	1	51	065395	BRACE/SIDE PLATE FRONT	1
24	065500 _a	MOTOR/HYDRAULIC - CHARLYNN	1		650486	CS 5/16X3/4 (HN, LW)	2
	650488	CS 3/8X3/4 (LW)	4	52	065396	BRACE/SIDE PLATE REAR	1
25	065488	COUPLING	1		650486	CS 5/16X3/4 (HN, LW)	2
	650202	SHSS 5/16X5/16	1	53	064758	STRIP/FOAM TAPE	1

a) For service, see 'Hydraulic Components' pages.

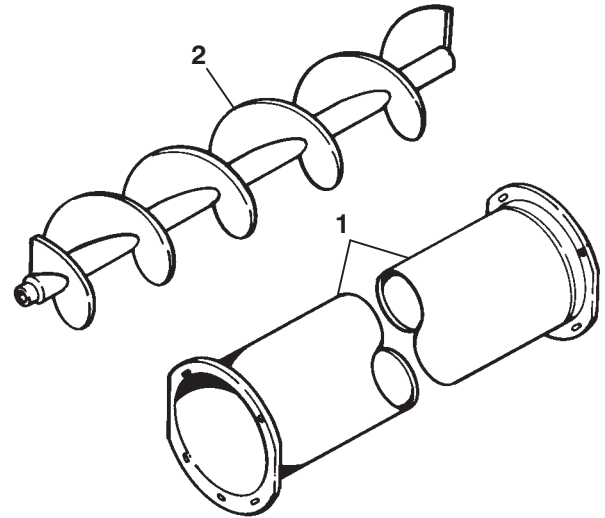
MX125 - ACCESSORIES



Ref. No.	Part No.	Description	Qty. Req.	Ref. No.	Part No.	Description	Qty. Req.
				12	067210	CAP/CONVEYOR	1
				13	520084	COLLAR/BEARING	1
				14	058686	HOUSING/BEARING	1
	803419	FOLDING CONVEYOR EXTENSION - 4-FT	1		650573	CB 5/16X1 (HN, LW)	4
	803422	FOLDING CONVEYOR EXTENSION - 7-1/2-FT	1	15	520062	BEARING/BALL	1
		CONSISTS OF:		16	17H333	HINGE/OUTLET COVER	1
01	067223	CONVEYOR/EXT 4-FT	1		650448	CS 1/4X3/4 (HN, LW, FW)	3
	067215	CONVEYOR/EXT 7-1/2-FT	1		650484	CS 5/16X1/2 (HN, LW)	2
02	093517	CLAMP/HINGE ASSY (LATER STYLE)	1	17	042135	WASHER	4
	081220	CLAMP/HINGE ASSY CENTER (EARLY STYLE)	1	18	051978	SPOUT/CONVEYOR	1
	650573	CB 5/16X1 (LN, FW)	1		650486	CS 5/16X3/4 (HN, LW, 10FW)	5
	650781	CB 5/16X1-1/2 (5LN, FW)	3	19	052120	EXTENSION/SPOUT	1
03	093518	CLAMP/LATCH ASSY (LATER STYLE)	1		650486	CS 5/16X3/4 (LN, FW)	4
	081222	CLAMP/LATCH ASSY (EARLY STYLE)	1	20	067220 _a	HOUSING/CONVEYOR EXTENSION - 4-FT	1
	650573	CB 5/16X1 (LN, FW)	1		067211 _a	HOUSING/CONVEYOR EXTENSION - 7-1/2 FT	1
	650781	CB 5/16X1-1/2 (2LN, 2FW)	1		651076	CS 5/8X8-1/2 (LN)	1
	650547	CS 5/16X3-1/2 (LN, 2FW)	1	21	052550	LATCH/CONVEYOR REAR	1
04	053856	SUPPORT	1	22	052552	HANDLE/LATCH REAR	1
05	17H387	SPRING/EXTENSION	1	22	655018	CP 3/16X1-1/4	1
06	067199	U-BOLT ASSY (2) 3/8HN, (1) 1/4LN	1	23	U10014	SPRING/PAWL	1
					650835	CS 1/4X1 (3HN)	2
07	067202	HANDLE/LATCH	1	24	067207	GUIDE/LATCH	1
	650491	CS 3/8X1-1/4 (LN, FW)	1		650577	CS 5/16X1-1/2 (HN, LW)	2
08	057637	WASHER/BELLEVILLE	1	25	067227	SUPPORT/BRACE	1
09	067206	SHAFT/HANDLE PIVOT	1	26	068338	HOLDER/BRACE	1
10	067198	LATCH/SAFETY	1		650490	CS 3/8X1 (HN, LW, 1FW)	2
11	052824	CLAMP	1				
	650577	CS 5/16X1-1/2 (HN, LW)	2				

a) Includes Decal 093490.

Unloading Conveyor Extensions

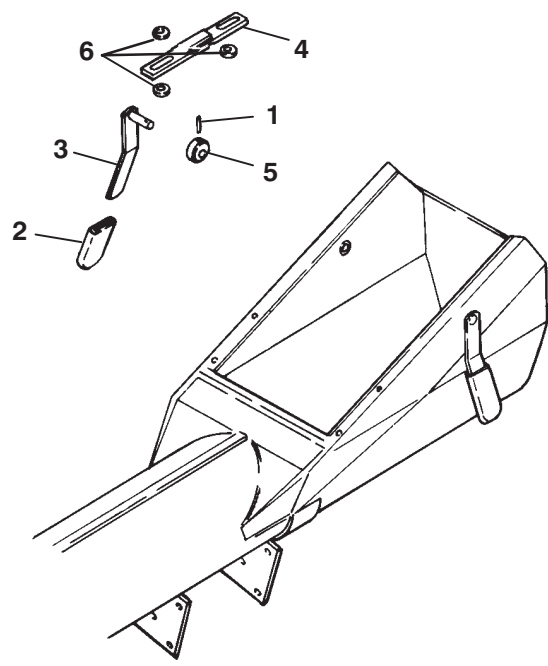


Ref. No.	Part No.	Description	Qty. Req.
	803424	CONVEYOR EXTENSION - 1'	1
	850252	CONVEYOR EXTENSION - 3'	1
		CONSISTS OF:	
01	074970	EXTENSION/HOUSING - 1'	1
	040250 _a	EXTENSION/HOUSING - 3'	1
	650486	CS 5/16X3/4 (HN, LW, 8 FW)	4
02	074972	EXTENSION/CONVEYOR - 1'	1
	061150	EXTENSION/CONVEYOR - 3'	1
	650692	CS 5/16X1-1/4 (HN, LW)	4

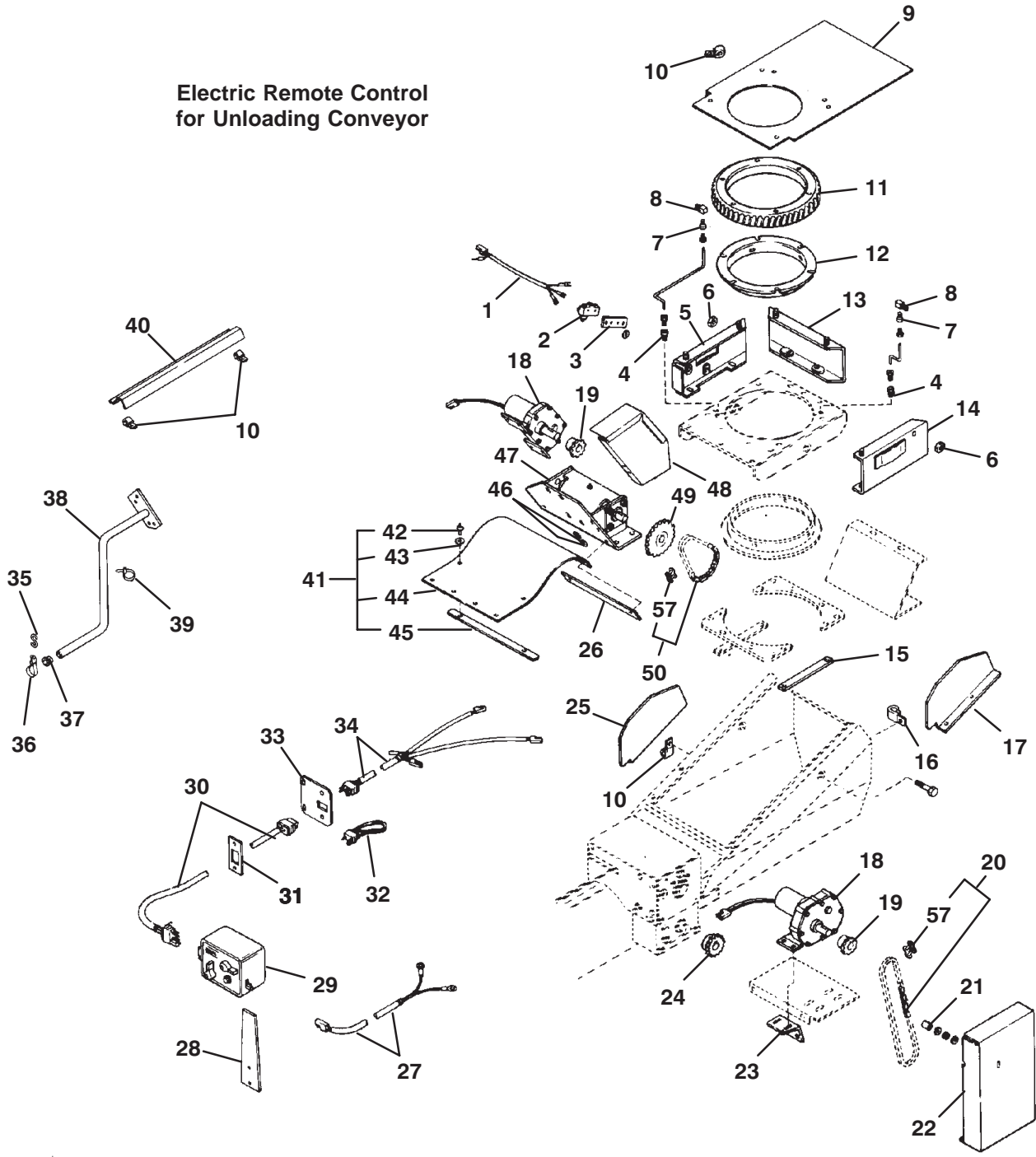
a) Replacement part includes 093495 Decal.

Conveyor Extension Pivot

Ref. No.	Part No.	Description	Qty. Req.
	074799	CONVEYOR EXTENSION PIVOT BRAKE KIT	1
		CONSISTS OF:	
01	050270	PIN/SPRING	1
02	062282	GRIP/PLASTIC	1
03	073551	HANDLE/CAM	1
04	073553	SHOE/BRAKE	1
	650860	CB 3/8X1-3/4 (LN)	2
05	073572	CAM/BRAKE	1
06	073691	WASHER	3



Electric Remote Control
for Unloading Conveyor



MX125 - ACCESSORIES

Ref. No.	Part No.	Description	Qty. Req.	Ref. No.	Part No.	Description	Qty. Req.
	803423	REMOTE CONTROL FOR UNLOADING CONVEYOR	1	26	074722	CLAMP/HOPPER COVER FRT	1
		CONSISTS OF:			650448	CS 1/4X3/4 (HN, LW, FW)	2
01	074602	HARNESS/WIRING	1	27	074391	HARNESS/POWER SUPPLY	1
02	074034	SWITCH/LIMIT	1	28	074723	PLATE/MOUNTING	1
	650670	RHMS #6-32X1 (HN, LW)	2		650835	CS 1/4X1 (HN, LW, FW)	2
03	074607	PLATE/SWITCH MOUNTING	1	29	074578 _c	BOX/CONTROL ASSY	1
	650448	CS 1/4X3/4 (HN, LW, (4) FW)	2	30	078004	EXTENSION/WIRING HARNESS	1
04	072476 _a	CONNECTOR/STRAIGHT TUBE	2	31	074627	CLAMP/RECEPTACLE	1
05	074557	BRACKET/COVER SUPPORT	1		650487	CS 5/16X1 (LN, FW)	2
	650786	CB 3/8X1-1/4 (HN, LW)	2	32	074613	CAP/TRACTOR PLUG	1
06	061848	NUT/BULKHEAD ADAPTER	2	33	071078	BRACKET/RECEPTACLE	1
07	061845 _a	CONNECTOR/STRAIGHT TUBE	2		650487	CS 5/16X1 (HN, LW)	2
08	065624	ADAPTER/RIGHT ANGLE	2	34	074601	HARNESS/WIRING	1
	570009	FITTING/GREASE	2	35	B11433A	S-HOOK	1
09	074609	COVER/HOPPER REAR (5) 5/16 LN, FW	1	36	063592	TIE/CABLE	1
10	058615	CLAMP/INSULATED HOSE	9	37	045429	PLUG/CAP	1
	650315	TCS 1/4X1/2 (FW)	5	38	074596	SUPPORT/ASSY	1
11	074031	GEAR/WORM	1		650491	CS 3/8X1-1/4 (LN)	2
	650492	CS 3/8X2-1/2 (HN, LW, FW)	6	39	055648	TIE/WIRE	7
12	074564	FLANGE/PIVOT SUPPORT	1	40	074603	SHIELD/POWER CORD	1
13	074562	BRACKET/COVER SUPPORT REAR	1		650315	TCS 1/4X1/2	3
14	074560	BRACKET/COVER SUPPORT LT	1	41	074802	COVER/HOPPER ASSD FRONT	1
	650786	CB 3/8X1-1/4 (HN, LW)	2		650315	TCS 1/4X1/2 (FW)	4
15	073570	TIE/PIVOT PLATE	1	42	068846	RIVET/LINER	2
16	058616	CLAMP/INSULATED HOSE	1	43	068642	FW 11/64	2
	650315	TCS 1/4X1/2	1	44	074604	COVER/HOPPER FRONT	1
17	074612 _b	SHIELD/HOPPER LEFT OUTER	1	45	074721	SUPPORT/HOPPER COVER FRONT	1
	650315	TCS 1/4X1/2	2	46	042135	FW 1/32 SPECIAL	2
18	074033	MOTOR/GEAR ASSY	2	47	074588 _c	CONTROL/CONV WORM ASSD	1
	650758	CB 1/4X3/4 (HN, LW)	4		650597	KEY/WOODRUFF-HD3/16X3/4	1
	650835	CS 1/4X1 (HN, LW, FW)	4		650491	CS 3/8X1-1/4 (HN, LW, FW)	4
19	074599	SPROCKET/10T	2	48	074566	GUARD/ASSY	1
	650202	SHSS 5/16X5/16	4		650486	CS 5/16X3/4 (LW)	2
20	081205	CHAIN/ROLLER #41X52 LINKS	1	49	074575	SPROCKET/24T	1
21	043615	SPACER	1		650202	SHSS 5/16X5/16	2
22	081202	GUARD/WINCH	1	50	500155	CHAIN/ROLLER #41X40 LINKS	1
	650487	CS 5/16X1 (LW, FW)	2	53	061187	GREASE DECAL (NOT SHOWN)	1
	650725	CS 5/16X2-1/4 (2 HN, 2 LW, 1 FW)	1	54	093376	DECAL (NOT SHOWN)	2
23	081204	BRACKET/MOTOR	1	55	093365	DECAL (NOT SHOWN)	2
	650487	CS 5/16X1 (LW)	2	56	074695	WIRING DECAL (NOT SHOWN)	1
24	081203	SPROCKET/14T	1	57	500043	LINK/CONNECTOR	2
	650207	SHSS-SL 5/16X1/2	1				
25	074611	SHIELD/HOPPER RIGHT OUTER	1				
	650315	TCS 1/4X1/2	2				

a) To repair a broken or damaged Grease Line, order Tubing Kit 065185 which includes (2) 5/16 & (1) 1/4 Compression Nuts, 5 Feet of Grease Line and Installation Instructions.

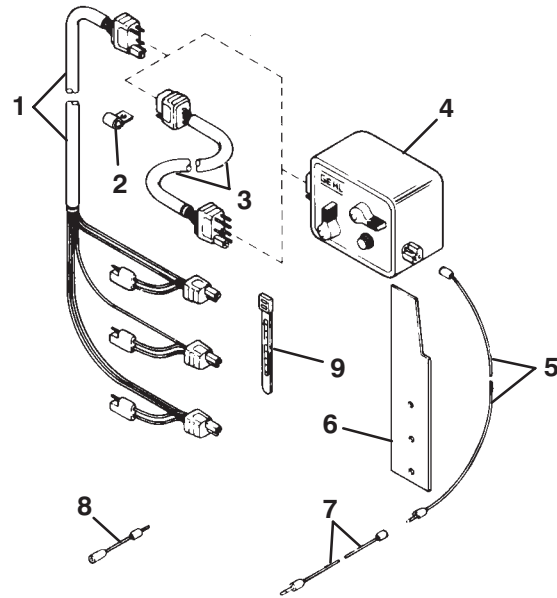
b) Replacement part includes 093376 Decal.

c) For component breakdowns, see separate parts lists.

MX125 - ACCESSORIES

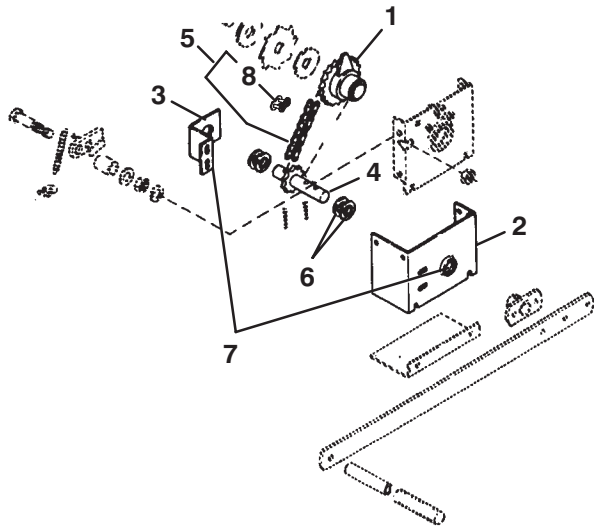
Auxiliary Remote Control

Ref. No.	Part No.	Description	Qty. Req.
	802558	AUXILIARY REMOTE CONTROL 1	
		CONSISTS OF:	
01	075720	HARNESS/CONTROL BOX	1
02	058615	CLAMP	2
	650315	TCS 1/4X1/2 (FW)	1
03	074614	HARNESS/EXTENSION	1
04	074578 _a	BOX/CONTROL ASSY	1
05	075719	WIRE/IMPLEMENT POWER	1
06	074723	PLATE/MOUNTING	1
	650946	THMS 1/4X1 (HN, LW)	2
07	075718	WIRE/TRACTOR POWER	1
08	075724	WIRE/EXTENSION	1
09	055648	TIRE/WIRE	19



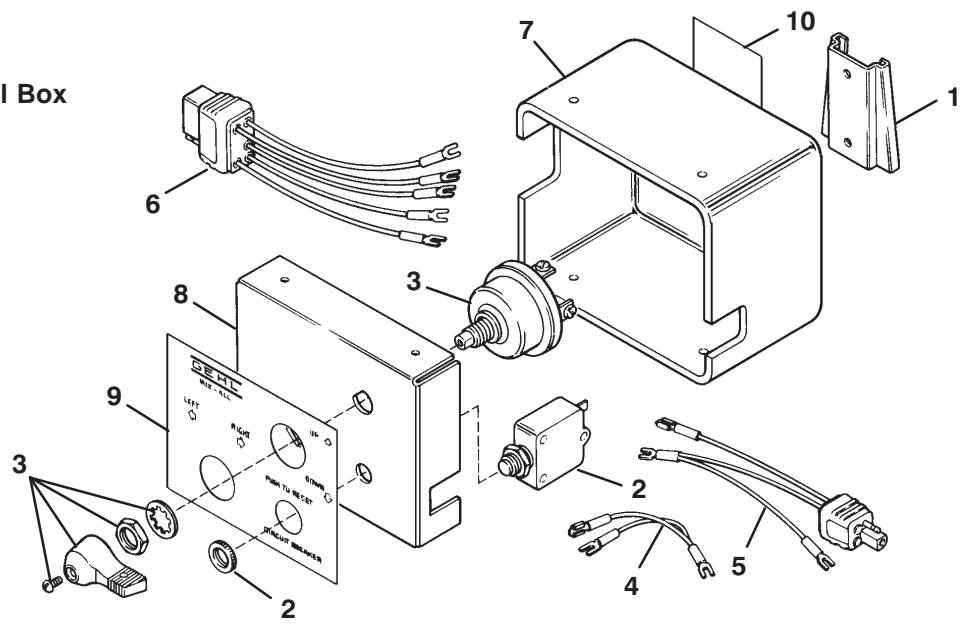
a) For components, see separate Control Box breakdown.

Winch Reduction Drive Kit



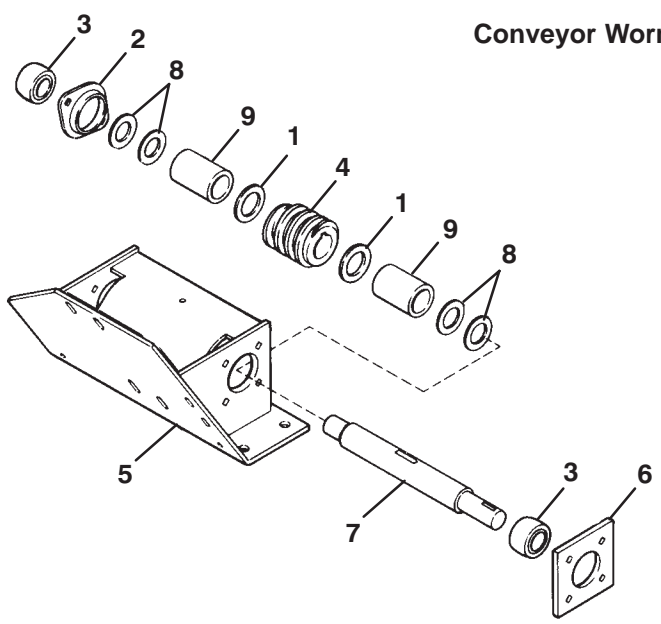
Ref. No.	Part No.	Description	Qty. Req.
	803421	WINCH REDUCTION DRIVE KIT ... 1	
		CONSISTS OF:	
01	081210	SPROCKET/20T	1
02	081213	BRACKET/REDUCTION ASSY 1	
	650487	CS 5/16X1 (HN, LW)	4
03	081215	BRACKET/DRIVE SHAFT ASSY ... 1	
	650487	CS 5/16X1 (HN, LW, 4 FW)	2
04	081217	SHAFT/WINCH DRIVE ASSY	1
	655018	CP 3/16X1-1/4	2
	650426	CS 1/4X1-1/4 (LN)	1
05	081219	CHAIN/ROLLER #41X34 LINKS 1	
06	B11162	WASHER	AR
07	064963	BUSHING	2
08	500043	LINK/CONNECTOR	1

Control Box



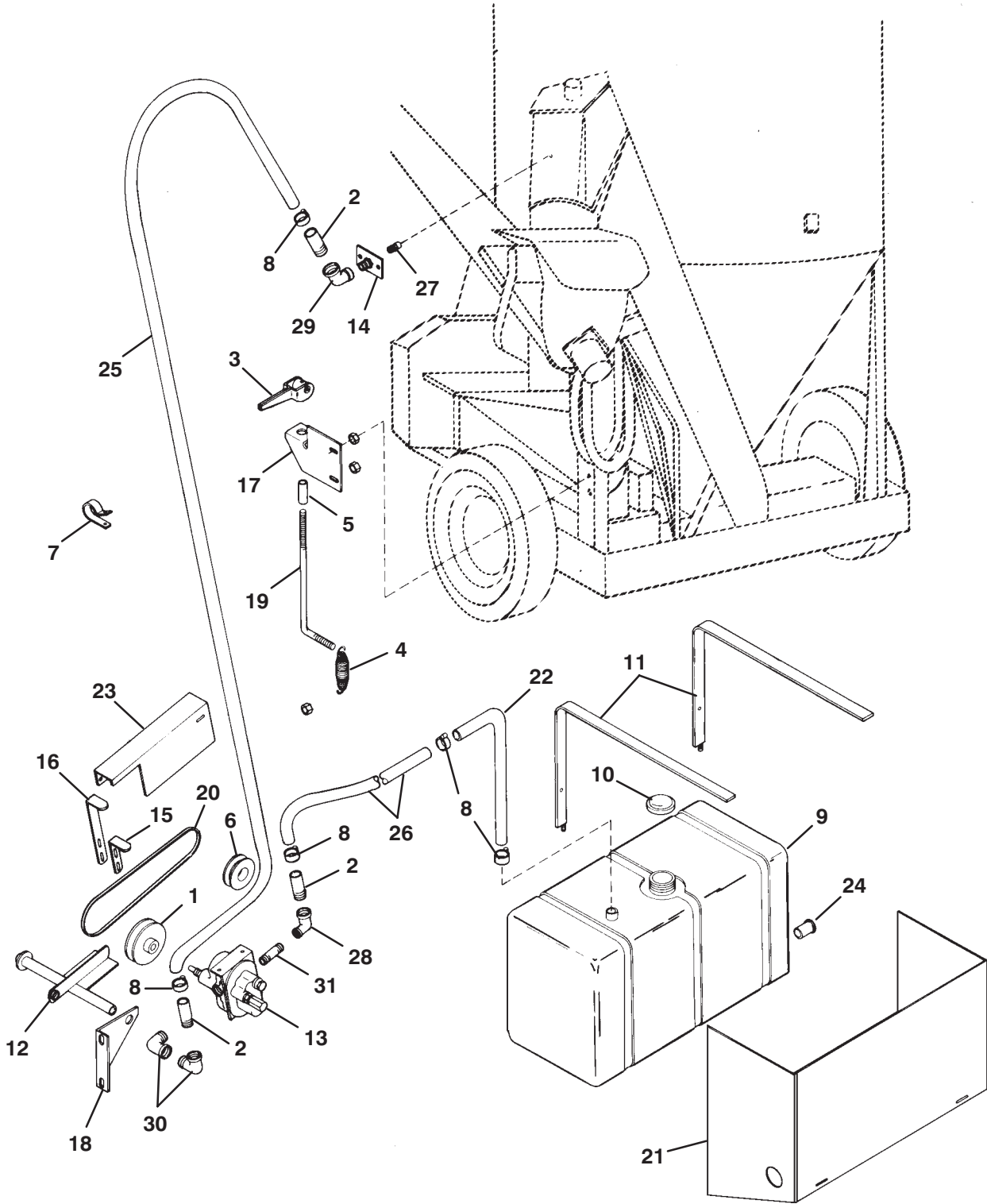
Ref. No.	Part No.	Description	Qty. Req.	Ref. No.	Part No.	Description	Qty. Req.
	074578	CONTROL BOX - ASS'D	1	05	074582	HARNESS/POWER	1
		CONSISTS OF:		06	074583	HARNESS/OUTPUT	1
01	047269	SOCKET/MOUNTING	1	07	074584	BOX/CONTROL	1
	650949	THMS 5/16X3/4 (HN, LW, FW)	2	08	074585	COVER	1
02	074579	BREAKER/CIRCUIT - 20 AMP.	1		650702	TFS #6X3/8	4
03	074580	SWITCH	2	09	074586	DECAL/FRONT PANEL	1
04	074581	RED WIRE - 14AWG	1	10	074587	SCHEMATIC/CONTROL BOX	1

Conveyor Worm Control



Ref. No.	Part No.	Description	Qty. Req.
	074588	WORM CONTROL - ASSD	1
		CONSISTS OF:	
01	17H140	WASHER/SHIM	2
02	H8365	RETAINER/BEARING	1
	650758	CB 1/4X3/4 (LN)	2
03	070466	BEARING/WORM	2
04	073123	GEAR/WORM	1
05	074589	BRACKET/WORM	1
	570021	FITTING/GREASE	1
06	074593	PLATE/BEARING CLAMP	1
	650758	CB 1/4X3/4 (LN)	4
07	074594	SHAFT/WORM	1
	650513	KEY/WOODRUFF 1/4X1	1
08	074595	WASHER	4
09	074610	SPACER	2

Molasses Attachment



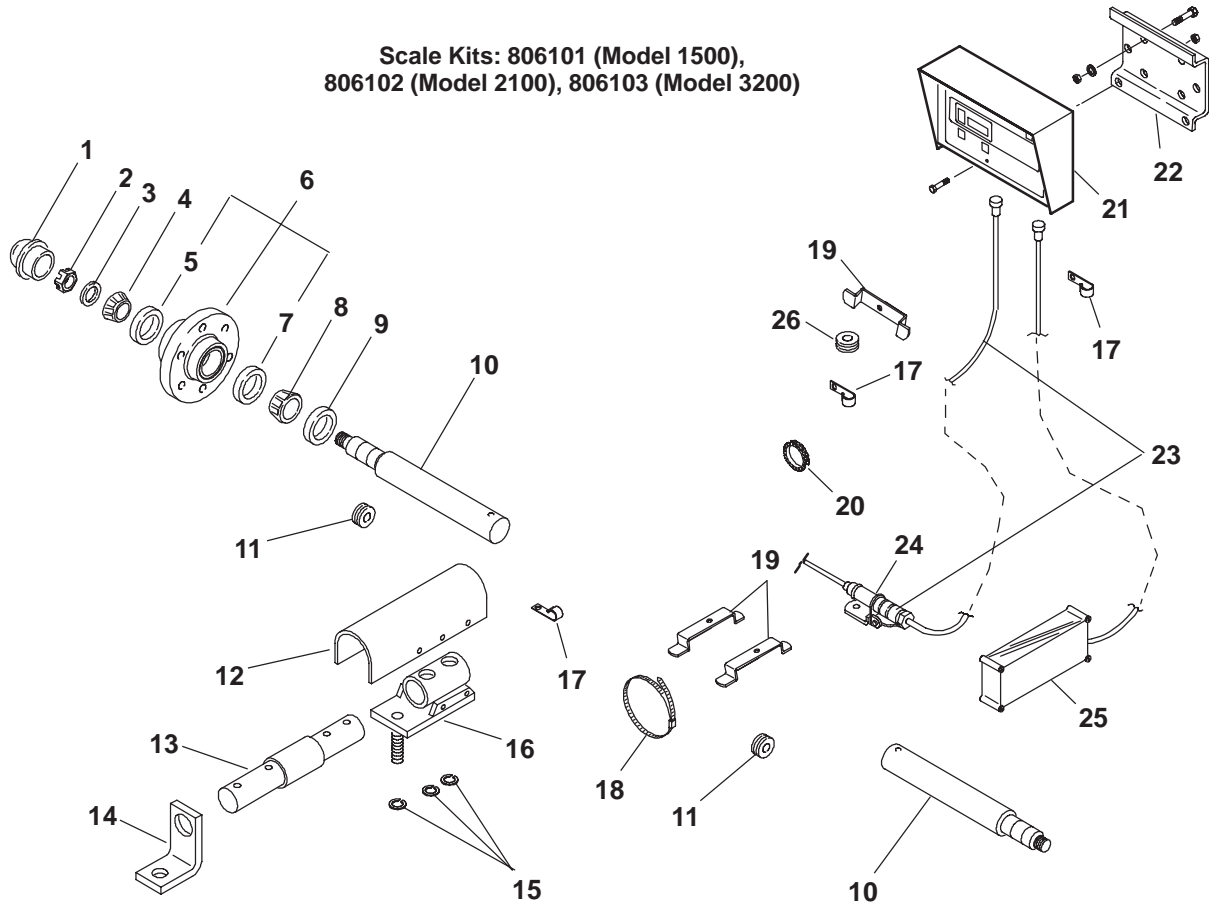
MX125 - ACCESSORIES

Ref. No.	Part No.	Description	Qty. Req.	Ref. No.	Part No.	Description	Qty. Req.
	802046	MOLASSES ATTACHMENT	1	16	069910	STOP/BELT	1
		CONSISTS OF:			650745	CS 5/16X1-1/4 (HN, LW, FW)	2
01	17H270A	SHEAVE	1	17	069912	BRACKET/ATTACHMENT CLAMP	1
02	A571	CONNECTION/HOSE	3		650490	CS 3/8X1 (HN, LW, FW)	2
03	H7123	CLAMP/ATTACHMENT	1	18	069913	SUPPORT/REAR PIVOT	1
04	B11108	SPRING	1		650491	CS 3/8X1-1/4 (NILN, (6) FW)	2
	650528	CS 3/8X2 (HN, FW, NILN)	1	19	069919	BOLT/HOOK	1
05	049390	SLEEVE	1			(3) 1/2 LN (2) FW	
06	053746	SHEAVE	1	20	069922	V-BELT	1
07	055019	CLAMP/HOSE	1	21	069923	SUPPORT/RESERVOIR	1
	650486	CS 5/16X3/4 (HN, LW)	1		650490	CS 3/8X1 (HN, LW)	4
08	055335	CLAMP/HOSE	5	22	069926	PIPE/STRAINER	1
09	076841	RESERVOIR	1	23	069930 _a	GUARD/PUMP BELT	1
10	077738	CAP/RESERVOIR	1	24	069933	PLUG/RESERVOIR DRAIN	1
11	064651	STRAP ASSY	2	25	070060	HOSE/OUTLET - 96" LONG	1
		(2) 5/16 HN, LW		26	070061	HOSE/INLET - 48" LONG	1
12	069901	MOUNT/PUMP	1	27	580066	NOZZLE/SPRAY	1
	655028	CP 1/4X1-1/2	1	28	660010	ELBOW/PIPE - 3/4X90 DEG	1
	650491	CS 3/8X1-1/4 (HN, LW, FW)	2	29	660014	ELBOW/PIPE - 3/4X1/2X90 DEG	1
13	069906	PUMP/MOLASSES	1	30	660021	ELBOW/STREET - 3/4X90 DEG	2
14	069907	BRACKET/NOZZLE	1	31	660064	NIPPLE/PIPE - 3/4X2-1/2	1
	650486	CS 5/16X3/4 (HN, LW)	2				
15	069909	STOP/BELT LOWER	1				

a) Replacement part includes 093376 Decal.

MX125 - ACCESSORIES

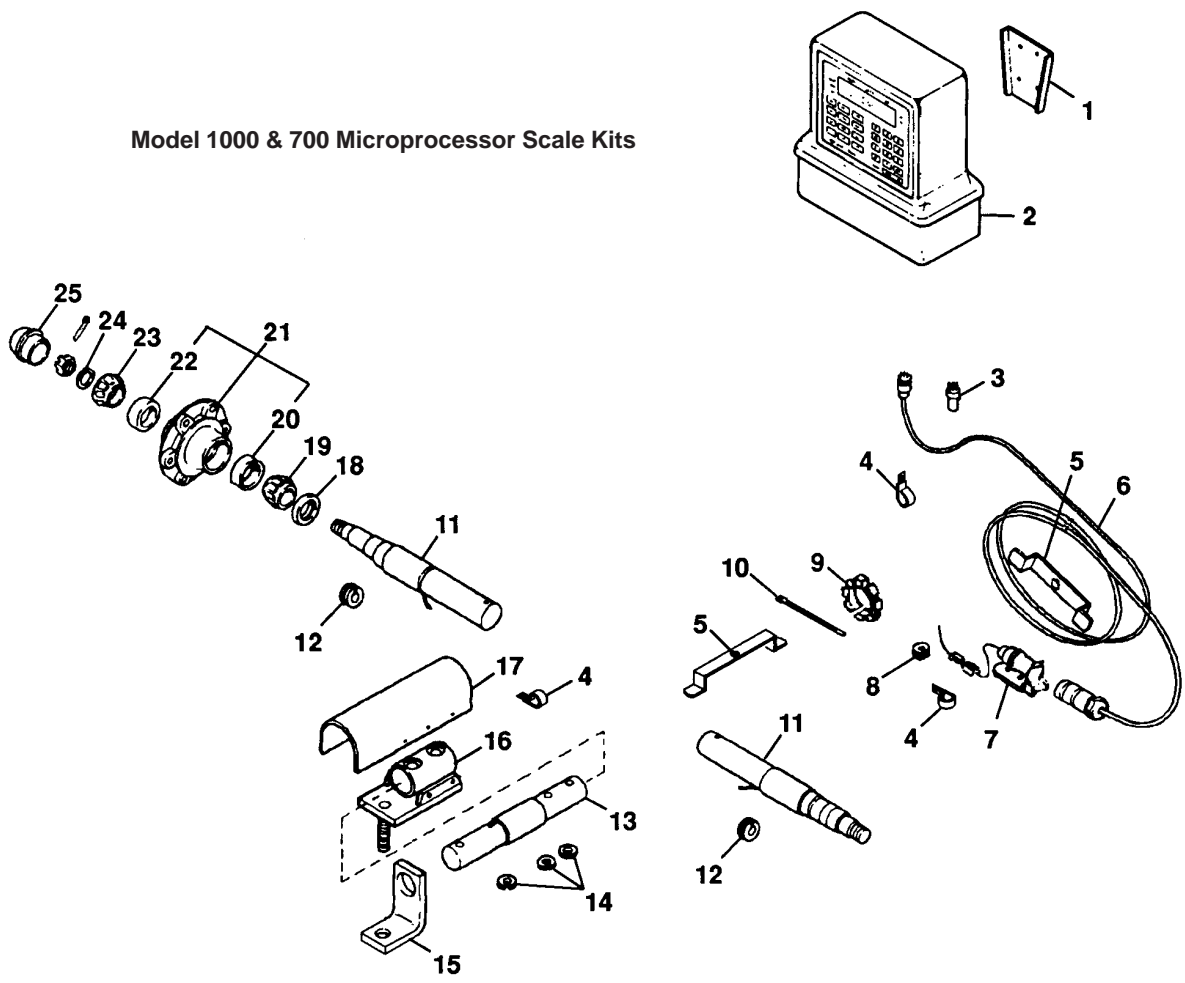
Scale Kits: 806101 (Model 1500),
806102 (Model 2100), 806103 (Model 3200)



Ref. No.	Part No.	Description	Qty. Req.	Ref. No.	Part No.	Description	Qty. Req.
01	058421	CAP/GREASE	2	17	058615	CLAMP/INSULATED	7
02	653102	NUT/SLOTTED 7/8NF GR2	2		650486	CS 5/16X3/4 (HN, LW)	3
03	066717	WASHER/SPINDLE	2			(1) 5/16 HN, LW	
04	520201	CONE/BEARING OUTER	2	18	055648	TIE/WIRE	6
05	520054	CUP/BEARING OUTER	2	19	067179	HOLDER/CORD	3
06	550073	HUB/WHEEL	2		650880	CS 3/8X3/4 (HN, LW)	1
07	520199	CUP/BEARING INNER	2		650490	CS 3/8X1 (HN, LW)	2
08	520200	CONE/BEARING INNER	2	20	067186	GROMMET/SPLIT-SERRATED	1
09	550074	SEAL/GREASE	2	21	112518	INDICATOR/MODEL 1500	1
10	091887	AXLE/WEIGHBAR	2		112519	INDICATOR/MODEL 2100	1
	655020	CP 3/16X1-1/2	2		112520	INDICATOR/MODEL 3200	1
11	067180	GROMMET/SPLIT 7/8 ID	2	22	092684	BRACKET/INDICATOR MOUNTING ...	1
12	066705	GUARD/SCALE HITCH	1		650315	TFS 1/4X1/2	4
	650484	CS 5/16X1/2 (LW)	4	23	093030 _a	CORD/POWER INDICATOR	1
13	093028	SUPPORT/DRAWBAR UPPER (DRAWBAR WEIGHBAR)	1	24	600798	CONNECTOR/FEMALE	1
14	052018	SUPPORT/DRAWBAR LOWER	1	25	093807	BOX/JUNCTION W/15' CORD	1
15	061818	WASHER/LOCK SPECIAL	3			(4) #10 LW, FW	
16	093025	MOUNT/SCALE HITCH ASSY	1	26	067181	GROMMET/SPLIT 3/8 ID	1
	653026	CS 3/4X7 (3 HN)	2				

a) For Cord end repair, order replacement Plug 069129.

Model 1000 & 700 Microprocessor Scale Kits

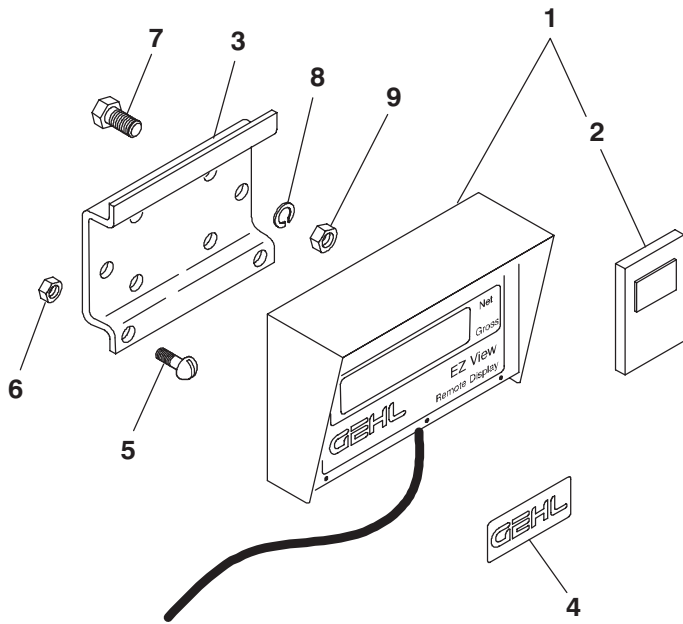


Ref. No.	Part No.	Description	Qty. Req.	Ref. No.	Part No.	Description	Qty. Req.
	802776	KIT/MICROPROCESSOR SCALE (FACTORY INSTALLED)	1	12	068216	GROMMET	2
	802777	KIT/MICROPROCESSOR SCALE (FIELD INSTALLED)	1	13	077828	SUPPORT/DRAWBAR UPPER (WEIGHBAR/DRAWBAR)	1
		CONSISTS OF:		14	061818	LW 3/4	3
01	052053	BRACKET/INDICATOR MTG	1	15	052018	SUPPORT/DRAWBAR LOWER	1
	650315	TFS 1/4X1/2	4	16	066699	HITCH/MOUNT SCALE	1
02	077830	INDICATOR/1000MICROPROCESSOR	1		650912	CS 3/4X7 (HN) (1) 3/4 HN	2
	089802	INDICATOR/700MICROPROCESSOR	1	17	066705	GUARD/SCALE HITCH	1
03	077831	ADAPTER	1		650484	CS 5/16X1/2 (LW)	4
04	058615	CLAMP/INSULATED	7	18	550074	SEAL/GREASE	2
	650487	CS 5/16X1 (HN, LW) (1) 5/16 HN, LW	2 2	19	520200	CONE/BEARING-INNER	2
05	067179	HOLDER/CORD	3	20	520199	CUP/BEARING - INNER	2
06	066704 _a	CORD/POWER	1	21	550073	HUB/WHEEL - ASS'D	2
07	600798	CONNECTOR/FEMALE	1	22	520054	CUP/BEARING - OUTER	2
08	068217	GROMMET	1	23	520201	CONE/BEARING - OUTER	2
09	067186	GROMMET/SPLIT-SERRATED	1	24	066717	WASHER/SPINDLE	2
10	055648	TIE/WIRE NYLON	6	25	058421	CAP/GREASE	2
11	077829	WEIGHBAR/AXLE	2				
	655020	CP 3/16X1-1/2	2				
	653102	HN SLOTTED 7/8 GR2	2				

a) For Cord repair, order Repair Kit 081710.

MX125 - ACCESSORIES

Remote Scale Indicator (Requires Model 3200 Scale)



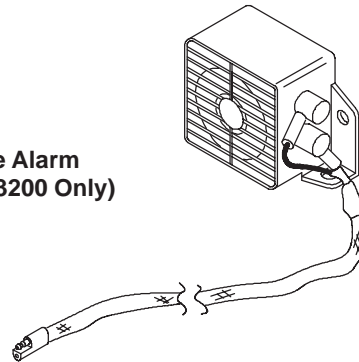
Ref. No.	Part No.	Description	Qty. Req.
	806326	REMOTE INDICATOR T/R KIT 1	
		CONSISTS OF:	
01	118241	REMOTE INDICATOR T/R 1	
02	092988	TRANSMITTER/WIRELESS 1	
03	092684	BRACKET/INDICATOR 1	
04	118242	DECAL/GEHL 1	
05	650815	RHMS#1024-3/4 2	
06	650550	HN #1024 2	

Customer Supplied Hardware

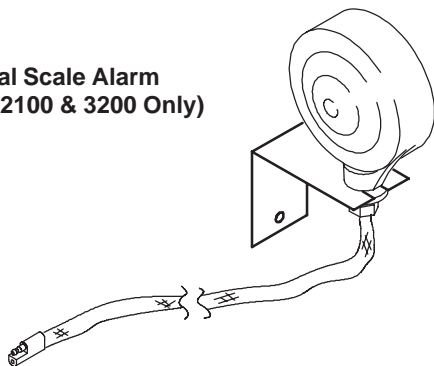
07	650490	CS 3/8X1 4
08	654026	LW 3/8 4
09	653010	HN 3/8 4

Ref. No.	Part No.	Description	Qty. Req.
	804777	AUDIBLE SCALE ALARM 1	

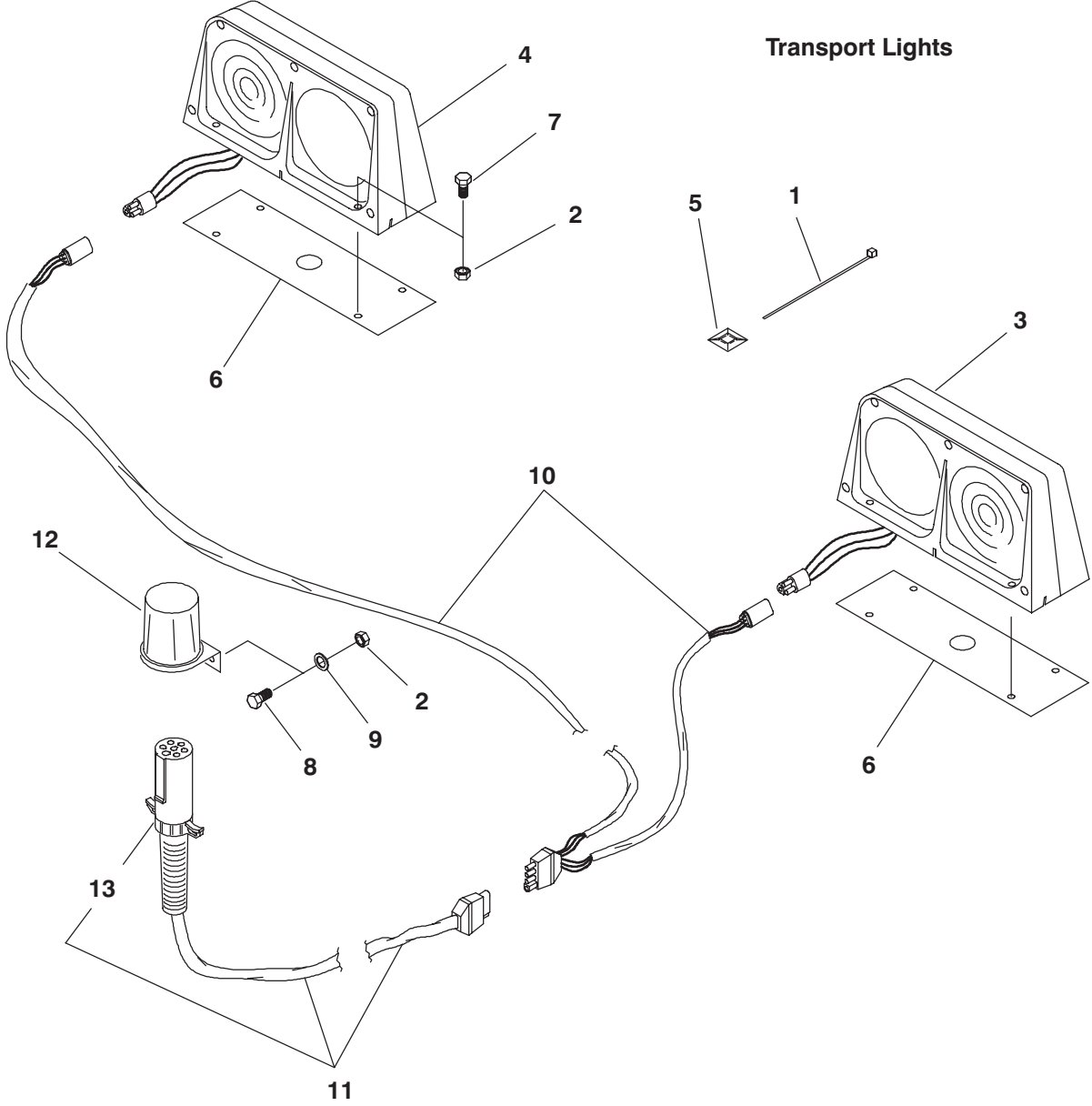
Audible Scale Alarm (Models 2100 & 3200 Only)



Visual Scale Alarm (Models 2100 & 3200 Only)



Ref. No.	Part No.	Description	Qty. Req.
	804778	VISUAL SCALE ALARM 1	

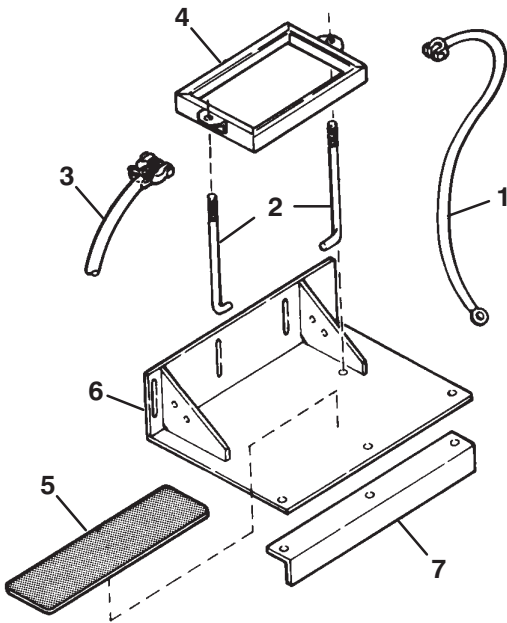


Transport Lights

Ref. No.	Part No.	Description	Qty. Req.	Ref. No.	Part No.	Description	Qty. Req.
	152230	LIGHTS/TRANSPORT	8	07	650426	CS 1/4X1-1/4	2
		CONSISTS OF:		08	650663	CS1/4X5/8	2
01	055648	TIE/WIRE	8	09	650863	FW 1/4	2
02	071401	NILN 1/4	10	10	117902	HARNES ^h "Y", 3' LT & RT	1
03	112884	LIGHT/TRANSPORT LT	1	11	112892	HARNES/PRIMARY 25'	1
04	112885	LIGHT/TRANSPORT RT	1	12	112886	HOLDER	1
05	125946	BASE/MOUNTING	8	13	112917	PLUG/7-PINW/CABLE	1
06	112706	SUPPORT/LIGHT	2				

MX125 - ACCESSORIES

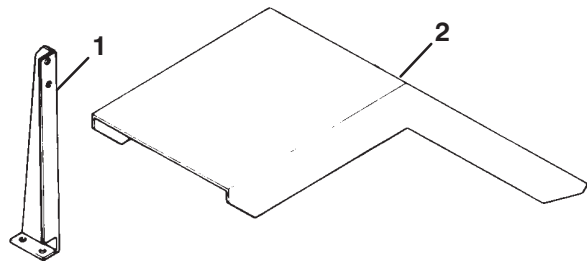
Scale Battery Mounting Kit



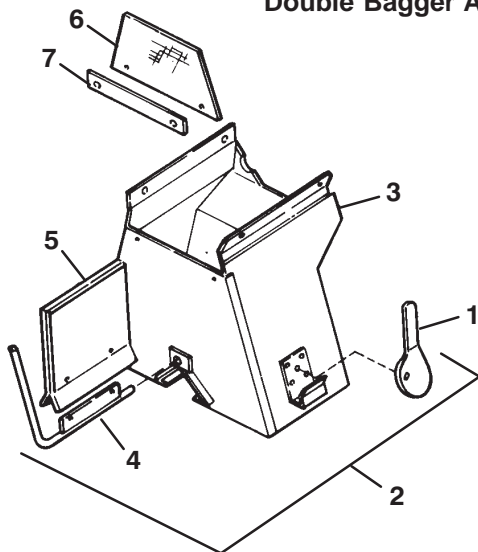
Ref. No.	Part No.	Description	Qty. Req.
	801786	SCALE BATTERY MOUNTING KIT	1
		CONSISTS OF:	
01	054984	CABLE/GROUND	1
02	062148	ROD/BATTERY HOLD-DOWN	2
		(2) 5/16 HN	
03	068244	TERMINAL/MARINE	1
04	068257	HOLD-DOWN/BATTERY	1
05	064873	STRIP/NON-SKID FRICTION	1
06	071777	BASE/BATTERY	1
	650548	RHMS #10-24X1/2 (HN, LW)	2
	650573	CB 5/16X1 (HN, LW, FW)	2
	650745	CB 5/16X1-1/4 (HN, LW, FW)	1
07	071780	EXTENSION/BATTERY BASE	1
	650949	THMS 5/16X3/4 (HN, LW)	3

Ref. No.	Part No.	Description	Qty. Req.
	801601	FENDER SET	1
		CONSISTS OF:	
01	067464	SUPPORT/FENDER	2
	650487	CS 5/16X1 (HN, LW, FW)	4
02	067069	FENDER	2
	650487	CS 5/16X1 (HN, LW, 4 FW)	8

Fender Set



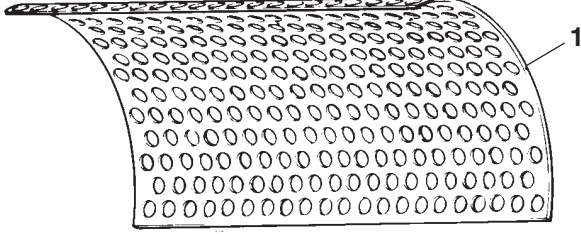
Double Bagger Attachment



Ref. No.	Part No.	Description	Qty. Req.
	801666	DOUBLE BAGGER	1
		CONSISTS OF:	
01	6H9	LOCK/BAG	2
	650545	CS 5/16X1-1/4 (6 HN, FW)	2
02	068464	BAGGER - ASS'D	1
03	068465	BAGGER	1
	650835	CS 1/4X1 (LN)	2
	650545	CS 5/16X1-1/4 (WN, FW)	4
04	068470	SUPPORT/SHUTTER	1
05	068477	SHUTTER	1
	650542	CS 1/4X1/2 (LN)	2
06	068479	FLAP/END	1
07	068480	SUPPORT/FLAP	1
	650486	CS 5/16X3/4 (HN, LW)	2

MX125 - ACCESSORIES

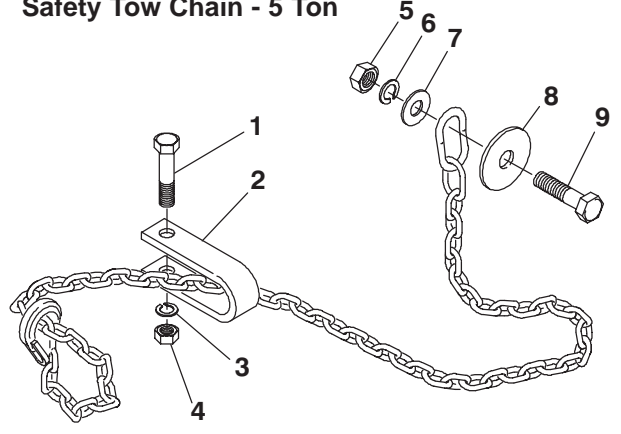
Screens



Ref. No.	Part No.	Description	Qty. Req.
01	045955	SCREEN - 3/32	1
	040106	SCREEN - 1/8	1
	040107	SCREEN - 3/16	1
	040108	SCREEN - 1/4	1
	040109	SCREEN - 5/16	1
	040110	SCREEN - 3/8	1
	040111	SCREEN - 1/2	1
	040735	SCREEN - 5/8	1
	040112	SCREEN - 3/4	1
	040113	SCREEN - 1	1
	040114	SCREEN - 1-1/4	1
	040115	SCREEN - 1-1/2	1
	040116	SCREEN - 2	1

Ref. No.	Part No.	Description	Qty. Req.
	142965	CHAIN/SAFETY TOW 5 TON	1
		CONSISTS OF:	
01	650695	CS 5/8X3-1/2	1
02	080894	CLEVIS	1
03	654032	LW 5/8	1
04	653021	HN 5/8	1
05	653026	HN 3/4	1
06	654034	LW 3/4	1
07	654014	FW 3/4	1
08	069076	FW 25/32	1
09	650172	CS 3/4X3-1/4	1

Safety Tow Chain - 5 Ton



Index

A

Accessories

- Auxiliary Remote Control, 56
 - Control Box, 57
 - Conveyor Extension Pivot, 53
 - Conveyor Worm Control, 57
 - Double Bagger Attachment, 64
 - Fender Set, 64
 - Molasses Attachment, 58–59
 - Remote Control for Unloading Conveyor, 54–55
 - Remote Scale Indicator Kit, 62
 - Safety Chain, 65
 - Scale Alarm
- Audible, 62
- Visual, 62
- Scale Battery Mounting Kit, 64
 - Scale Kits, 60–61
 - Screens, 65
 - Transport Lights, 63
 - Unloading Conveyor Extensions
 - 1 Ft., 53
 - 3 Ft., 53
 - 4 Ft., 52
 - 7-1/2 Ft., 52
 - Winch Reduction Drive Kit, 56
- Axles, 10–11

C

- Collector, Dust, 14–15

Conveyor

- Discharge, 12–13
- Unloading, 16–17

D

- Decal Locations, 2–9
- Drive Line, Implement, 20–21
- Drives
 - Conveyor, 22–23
 - Mixer, 22–23

F

- Feeder Attachments
 - Feed Roll (FR), 50–51
 - Gravity Feeder (GF), 44–47
 - Swinging Auger Feeder, Feed Roll (SAF/FR), 48–49
 - Swinging Auger Feeder (SAF), 40–43
- Frame, 10–11

G

- Guards, Drive, 28–29

H

- Hitchjack, 10–11
- Hitchjacks, 39
- Hopper, Concentrate, 14–15

Hydraulic Components, 34–35

- Charlynn Motor, 35
- Cross Selector Valve, 34
- Flow Control Valve, 34
- Flow Regulator, 34
- Gresen Selector Valve, 34
- Ross Motor, 35
- Hydraulics, self-contained, 30–33

M

Mill

- Blower, 27–28
- Cylinder, 24–27
- Frame, 24–25

P

- Paint Notice, 2

T

- Tank, 12–13
- Transmission, 38

U

- Universal Drives, 36–37

W

- Winch, Conveyor, 18–19

MX125 - NUMERICAL INDEX

Part No.	Page No.	Ref. No.	Part No.	Page No.	Ref. No.	Part No.	Page No.	Ref. No.	Part No.	Page No.	Ref. No.
2E4D	26	16	B11162	21	01	042291	25	10	050270	53	01
19E27	49	67	B11162	33	50	042304	25	11	051525	23	23
13E29	21	53	B11162	56	06	042315	26	03	051978	52	18
13E29	41	14	B11242	49	51	042350	40	03	052018	60	14
13H55	25	02	B11335	13	32	042826	23	58	052018	61	15
13E60	21	57	B11343	46	01	042826	27	05	052048	15	31
13E62	21	30	B11433A	55	35	043615	55	21	052053	61	01
5H74	27	03	R13055	13	33	043737	23	66	052087	49	26
17H140	49	20	R13055	15	02	045429	55	37	052120	52	19
17H140	51	28	R13055	29	09	045581	11	61	052501	19	69
17H140	57	01	R13055	48	16	045907	37	11	052550	52	21
A162	45	25	R13055	51	02	045912	37	14	052552	52	22
A162	48	03	S16174	48	18	045913	37	13	052824	52	11
A162	13	01	S16174	51	26	045955	65	01	053746	59	06
A262	13	02	S16215	23	01	047269	13	70	053856	52	04
A262	19	30	040055	26	01	047269	57	01	054294	49	47
17H270A	59	01	040058	25	04	047576	25	12	054294	51	06
17H333	52	16	040060	25	05	047697	38	26	054818	31	29
9H346	15	49	040066	25	06	048028	27	04	054818	33	14
9H371	40	34	040087	21	44	048134	11	26	054842	21	48
17H387	40	21	040102	23	22	048953	31	52	054847	49	61
17H387	52	05	040102	25	07	048953	33	15	054847	51	17
17H390	19	01	040106	65	01	048959	31	57	054848	31	38
A571	59	02	040107	65	01	048959	33	05	054848	33	22
H6053	27	01	040108	65	01	048961	13	04	054848	46	33
H6053	49	54	040109	65	01	048961	17	03	054848	49	60
H6053	51	09	040110	65	01	048961	35		054848	51	11
H7123	59	03	040111	65	01	048967	43	01	054850	31	39
H8010	31	25	040112	65	01	048968	34		054850	33	26
H8010	33	18	040113	65	01	048968	46	32	054850	41	01
H8010	47	01	040114	65	01	048968	49	63	054850	46	28
H8010	49	46	040115	65	01	048968	51	10	054850	47	33
H8010	51	05	040116	65	01	049287	36	05	054850	49	58
H8228	13	03	040174	40	02	049287	37	05	054850	51	12
H8353A	33	53	040250	53	01	049288	37	05	054886	43	26
H8365	57	02	040310	13	34	049288	36	07	054925	21	02
D9015	40	01	040735	65	01	049288	37	07	054925	33	48
U10063	21	42	040885	26	02	049290	37	09	054925	48	13
U10063	33	49	041916	25	08	049354	19	32	054925	51	21
U10104	48	12	041917	25	09	049390	59	05	054959	43	27
U10104	51	22	042135	52	17	049498	35	01	054984	64	01
U10014	52	23	042135	55	46	049499	35	02	055019	59	07
B11108	33	49	042188	45	32	050023	35	03	055021	33	30
B11108	21	42	042188	49	31	050034	49	70	055098	23	41
B11108	59	04	042188	51	50	050035	49	71	055276	21	70
B11162	19	31	042281	27	15	050036	34	01	055280	21	69
						050270	17	05	055335	31	01

MX125 - NUMERICAL INDEX

Part No.	Page No.	Ref. No.	Part No.	Page No.	Ref. No.	Part No.	Page No.	Ref. No.	Part No.	Page No.	Ref. No.
055335	33	08	058654	33	41	064471	38	09	064656	33	07
055335	59	08	058655	33	38	064472	38	16	064660	31	42
055648	55	39	058686	52	14	064473	38	25	064660	33	25
055648	56	09	058876	17	08	064474	38	18	064661	31	27
055648	60	18	059566	21	74	064475	38	01	064661	33	13
055648	61	10	060757	23	25	064476	38	02	064662	31	08
055648	63	01	060979	21	34	064477	38	28	064662	33	17
055682	38	04	061006	21	35	064478	38	21	064664	31	09
055896	31	50	061150	53	02	064479	21	59	064664	33	20
055898	31	51	061187	55	53	064479	33	56	064664	47	02
055898	33	44	061276	38	01	064479	38	31	064668	31	10
055898	46	25	061276	38	04	064493	13	60	064668	33	33
056061	19	02	061341	38	02	064590	13	48	064669	31	11
056086	33	16	061342	38	03	064593	13	50	064669	33	31
056086	46	29	061509	23	03	064594	13	65	064669	46	35
056086	49	65	061528	38	07	064597	13	61	064670	31	44
056086	51	15	061818	60	15	064598	13	62	064670	33	21
056202	17	03	061818	61	14	064610	13	35	064674	31	40
056202	35	00	061845	55	07	064613	13	36	064674	33	24
056227	15	32	061848	55	06	064614	13	38	064674	34	
056230	27	13	062148	64	02	064615	13	05	064675	34	
056378	17	06	062282	15	72	064623	13	06	064681	25	15
056640	21	72	062282	17	92	064630	13	07	064683	25	16
056773	31	02	062282	19	70	064633	13	08	064689	25	17
056773	33	03	062282	27	12	064634	13	51	064695	25	18
056820	19	33	062282	43	28	064635	13	52	064696	25	19
056915	15	33	062282	46	02	064636	13	09	064702	25	20
057179	23	02	062282	53	02	064639	13	10	064703	25	21
057557	21	33	062342	11	05	064639	17	09	064704	25	22
057637	52	08	062755	23	04	064639	27	14	064704	26	26
057655	33	37	062910	33	42	064639	41	02	064705	26	06
057758	40	04	063589	21	58	064639	45	17	064706	26	07
058201	15	03	063589	33	58	064639	49	29	064707	26	08
058421	11	20	063592	31	45	064639	51	47	064708	26	09
058421	60	01	063592	46	03	064640	13	11	064709	26	10
058421	61	25	063592	55	36	064640	17	10	064710	26	11
058580	23	66	064260	31	03	064640	41	03	064712	26	12
058501	38	22	064331	23	05	064645	33	40	064724	27	24
058610	46	23	064442	29	18	064650	31	06	064729	27	25
058613	49	48	064442	33	61	064650	33	09	064730	27	26
058613	51	33	064462	31	04	064651	31	07	064734	27	27
058615	55	10	064462	33	12	064651	31	07	064735	21	03
058615	55	10	064462	33	12	064651	33	11	064735	21	03
058615	56	02	064465	11	21	064651	59	11	064743	21	28
058615	60	17	064466	23	42	064654	33	04	064745	21	10
058615	61	04	064467	38	08	064654	33	04	064746	21	11
058615	61	04	064467	38	08	064655	33	06	064750	27	28
058616	55	16	064470	38	27	064656	31	26	064758	45	18

MX125 - NUMERICAL INDEX

Part No.	Page No.	Ref. No.	Part No.	Page No.	Ref. No.	Part No.	Page No.	Ref. No.	Part No.	Page No.	Ref. No.
064758	49	75	064874	13	71	065178	21	47	065408	51	14
064758	51	53	064874	27	11	065178	36	01	065414	49	66
064759	27	29	064887	29	01	065178	37	01	065414	51	16
064763	27	30	064890	29	02	065242	13	12	065415	31	53
064766	15	04	064895	29	03	065246	15	42	065415	47	11
064779	15	05	064896	29	10	065248	21	47	065415	49	62
064782	15	06	064897	29	11	065248	36	01	065415	51	18
064783	15	07	064898	23	59	065248	37	01	065416	49	57
064784	15	08	064930	31	46	065249	36	02	065416	51	08
064785	15	09	064930	33	27	065249	37	02	065422	48	17
064786	15	10	064931	17	11	065383	45	33	065422	51	03
064787	15	11	064944	17	12	065383	51	48	065423	49	45
064790	15	12	064959	19	34	065389	43	33	065423	51	04
064792	15	43	064961	19	35	065389	45	26	065424	31	24
064793	15	13	064963	56	07	065389	49	38	065424	48	11
064794	15	14	064965	19	36	065389	51	46	065424	51	01
064795	15	15	064985	49	35	065390	45	39	065428	49	50
064797	15	45	064991	17	16	065390	51	49	065428	51	07
064800	21	05	064993	19	03	065391	45	01	065432	45	12
064800	33	47	065024	34		065391	48	05	065434	45	13
064801	21	06	065024	49	72	065391	51	35	065434	48	06
064801	33	52	065028	21	64	065393	45	10	065435	45	14
064805	21	07	065030	21	44	065393	48	04	065435	48	07
064805	33	51	065033	33	59	065393	51	34	065448	40	06
064808	21	64	065035	21	46	065395	45	19	065450	40	07
064814	23	06	065035	37	08	065395	49	32	065453	40	08
064825	21	71	065048	37	10	065395	51	51	065461	43	06
064829	21	49	065124	43	29	065396	45	20	065465	40	10
064830	21	50	065125	43	30	065396	49	33	065468	40	11
064831	21	51	065134	43	02	065396	49	33	065469	38	12
064831	21	51	065134	43	02	065396	51	52	065470	40	12
064834	21	67	065135	43	03	065397	45	41	065471	40	13
064834	33	46	065137	43	04	065397	48	09	065472	40	14
064835	33	59	065138	43	05	065397	51	38	065473	49	28
064841	15	48	065153	43	31	065398	45	42	065473	51	41
064843	15	34	065154	47	03	065398	48	08	065474	49	37
064844	15	35	065157	31	13	065398	51	37	065474	49	37
064844	15	35	065157	31	13	065398	51	37	065474	51	42
064853	15	36	065157	33	19	065399	45	21	065479	49	36
064853	15	39	065157	40	05	065399	48	10	065479	49	36
064853	15	39	065157	40	05	065399	48	10	065479	51	40
064854	15	37	065157	47	04	065399	51	36	065479	51	40
064854	15	37	065157	47	04	065399	51	36	065482	49	24
064855	15	38	065160	47	05	065400	45	22	065482	49	24
064855	15	38	065160	47	05	065400	45	22	065482	51	45
064856	15	40	065161	47	06	065400	49	27	065483	49	23
064859	15	41	065162	47	07	065400	49	27	065483	49	23
064859	15	41	065162	47	07	065400	51	31	065483	51	29
064861	17	85	065163	47	08	065401	49	30	065483	51	29
064861	41	33	065165	47	09	065401	49	30	065486	49	39
064861	41	33	065165	47	09	065406	45	27	065486	51	30
064873	27	10	065165	49	56	065406	45	27	065486	51	30
064873	27	10	065165	49	56	065406	48	01	065487	49	19
064873	64	05	065173	47	10	065408	49	64	065487	49	19
064873	64	05	065173	47	10	065408	49	64	065487	51	27

MX125 - NUMERICAL INDEX

Part No.	Page No.	Ref. No.	Part No.	Page No.	Ref. No.	Part No.	Page No.	Ref. No.	Part No.	Page No.	Ref. No.
065488	49	41	067186	61	09	069075	23	21	071540	13	18
065488	51	25	067198	52	10	069076	23	09	071542	31	15
065489	48	15	067199	52	06	069076	65	08	071542	33	02
065489	51	19	067202	52	07	069077	23	14	071653	23	44
065493	49	21	067206	52	09	069079	23	10	071656	23	45
065493	51	44	067207	52	24	069079	29	12	071665	34	01
065494	48	14	067210	52	12	069166	13	24	071666	34	01
065494	51	43	067211	52	20	069241	40	40	071668	34	01
065495	49	42	067215	52	01	069242	40	41	071670	35	01
065495	51	20	067220	52	20	069297	13	73	071700	15	16
065497	49	34	067223	52	01	069464	23	33	071700	19	37
065497	51	39	067227	52	25	069504	23	43	071700	29	23
065498	49	43	067234	17	17	069528	38	14	071701	13	40
065498	51	23	067464	64	01	069753	13	39	071701	15	17
065500	35		067473	31	37	069792	21	32	071701	17	22
065500	41	05	067473	33	32	069901	59	12	071701	19	04
065500	49	44	067515	31	54	069906	59	13	071701	21	08
065500	51	24	067530	21	52	069907	59	14	071701	23	12
065502	49	69	067567	13	64	069909	59	15	071701	25	32
065506	46	34	067761	46	21	069910	59	16	071701	27	32
065506	49	73	067761	49	60	069912	59	17	071701	29	38
065507	49	74	067761	51	11	069913	59	18	071701	40	15
065508	49	68	067847	11	02	069919	59	19	071701	43	34
065509	49	53	067848	31	43	069922	59	20	071703	13	20
065513	49	52	067848	33	28	069923	59	21	071703	17	23
065624	55	08	067849	33	29	069926	59	22	071703	19	05
065811	13	13	067851	21	45	069930	59	23	071703	23	13
066673	13	66	067852	21	45	069933	59	24	071703	25	33
066699	61	16	068034	11	03	070060	59	25	071703	27	33
066704	61	06	068105	33	01	070061	59	26	071703	40	16
066705	60	12	068216	61	12	070073	59	26	071703	45	28
066705	61	17	068217	61	08	070466	13	15	071703	46	04
066711	11	50	068244	64	03	070648	57	03	071706	17	24
066717	11	22	068257	64	04	070864	41	32	071706	19	06
066717	60	03	068338	64	04	071078	33	45	071706	25	34
066717	60	03	068338	52	26	071078	55	33	071706	25	34
066717	61	24	068464	64	02	071117	38	01	071706	40	17
066839	33	45	068465	64	03	071271	38	05	071706	43	07
066841	33	43	068470	64	04	071401	38	05	071749	23	27
066876	21	67	068477	64	05	071531	63	02	071751	23	46
066876	33	46	068479	64	06	071534	23	11	071754	23	47
067069	64	02	068480	64	07	071538	17	18	071777	64	06
067179	60	19	068642	64	07	071538	13	16	071780	64	07
067179	60	19	068642	55	43	071538	17	19	071780	63	07
067179	61	05	068846	55	42	071538	41	06	071934	11	24
067180	60	11	069059	23	07	071539	13	17	071964	15	71
067181	60	26	069066	23	08	071539	17	20	071964	41	35
067186	60	20	069066	29	21	071539	41	07	072198	47	12

MX125 - NUMERICAL INDEX

Part No.	Page No.	Ref. No.	Part No.	Page No.	Ref. No.	Part No.	Page No.	Ref. No.	Part No.	Page No.	Ref. No.
072330	25	35	074583	57	06	075874	47	15	077725	41	13
072476	55	04	074584	57	07	075875	33	35	077738	59	10
072580	46	22	074585	57	08	075876	31	16	077828	61	13
072615	31	35	074586	57	09	075876	33	34	077829	61	11
072917	23	60	074587	57	10	075877	33	36	077830	61	02
073123	57	04	074588	55	47	075878	40	19	077831	61	03
073186	45	29	074588	57		075882	40	20	078004	55	30
073186	48	02	074589	57	05	075884	41	08	079372	17	37
073189	45	33	074593	57	06	075889	43	08	079373	19	09
073548	17	86	074594	57	07	075892	43	09	079382	11	07
073551	17	25	074595	57	08	075895	43	10	079383	11	08
073551	53	03	074596	55	38	075896	43	11	079385	11	09
073553	17	26	074599	55	19	075897	43	12	079386	11	10
073553	53	04	074600	17	35	075905	43	35	079387	13	14
073556	19	07	074601	55	34	075907	43	36	079395	45	02
073561	19	39	074602	55	01	075908	43	45	079397	45	03
073562	19	08	074603	55	40	075912	43	37	079398	29	24
073563	17	28	074604	55	44	075913	46	05	079398	33	60
073566	17	29	074607	55	03	075916	43	38	079401	21	65
073569	17	30	074609	55	09	075917	46	24	079401	33	57
073570	17	31	074610	57	09	075920	46	26	079402	21	60
073570	55	15	074611	55	25	075920	47	31	079402	33	55
073571	17	32	074612	55	17	075921	46	27	079403	21	65
073572	17	33	074613	55	32	075921	47	32	079403	33	57
073572	53	05	074614	56	03	075922	46	30	079878	29	13
073679	25	36	074627	55	31	075924	41	11	080894	65	02
073680	25	37	074695	55	56	075925	43	39	080926	11	11
073691	17	34	074721	55	45	075926	43	40	081007	19	10
073691	53	06	074722	17	36	075928	46	31	081049	19	11
074031	55	11	074722	55	26	075929	46	06	081058	23	34
074033	55	18	074723	55	28	075930	41	30	081060	19	71
074034	55	02	074723	56	06	075952	27	39	081061	17	38
074391	55	27	074799	53		075995	49	22	081066	19	40
074557	55	05	074802	55	41	075997	49	25	081068	19	41
074560	55	14	074970	53	01	075998	49	40	081069	19	42
074562	55	13	074972	53	02	076073	38	20	081073	19	43
074564	55	12	075042	47	13	076074	38	30	081074	19	44
074566	55	48	075042	49	55	076791	13	47	081079	19	72
074575	55	49	075060	38	13	076841	31	12	081081	19	45
074578	55	29	075685	40	18	076841	33	10	081082	19	46
074578	56	04	075718	56	07	076841	59	09	081084	19	47
074578	57		075719	56	05	076866	38	03	081092	17	47
074579	57	02	075720	56	01	076867	38	01	081092	19	12
074580	57	03	075724	56	08	076868	38	02	081093	23	35
074581	57	04	075872	27	38	077055	23	65	081140	21	09
074582	57	05	075873	47	14	077723	41	12	081140	33	54
									081158	29	30

MX125 - NUMERICAL INDEX

Part No.	Page No.	Ref. No.	Part No.	Page No.	Ref. No.	Part No.	Page No.	Ref. No.	Part No.	Page No.	Ref. No.
081160	29	31	093365	55	55	142965	65		540006	38	23
081162	29	04	093376	55	54	143469	11	04	550041	11	62
081198	64		093517	52	02	143469	39		550073	60	06
081199	64	01	093518	52	03	143599	39	03	550073	61	21
081200	25	42	093519	35	04	143601	39	02	550074	11	27
081202	55	22	093706	36	11	143603	39	04	550074	60	09
081203	55	24	093710	36	10	143901	31	34	550074	61	18
081204	55	23	093711	36	09	143917	31	55	570002	23	17
081205	55	20	093807	60	25	152230	63		570002	25	44
081210	56	01	093810	34		500043	55	57	570006	23	48
081213	56	02	093810	46	20	500043	56	08	570006	25	45
081217	56	04	093810	49	63	500155	55	50	570009	17	50
081219	56	05	093810	51	10	500160	23	68	570014	40	22
081220	52	02	094300	38	05	500161	23	69	570016	38	06
081222	52	03	094751	23	15	510197	36	04	570019	23	18
081238	43	47	095104	13	58	510197	37	04	570021	13	21
081251	13	53	095132	36	06	510215	36	12	570021	19	14
081252	13	54	095132	37	06	510215	37	12	580066	59	27
081744	11	54	095166	36	03	510247	36	02	580116	49	49
082231	19	13	095166	37	03	510247	37	02	580116	51	32
082232	17	48	097859	31	47	520054	11	18	600798	60	24
082769	19	48	112377	13	49	520054	38	19	600798	61	07
088044	49	61	112518	60	21	520054	60	05	650172	65	09
088044	51	17	112706	63	06	520054	61	22	650185	25	46
089802	61	02	112711	31	32	520062	52	15	650198	26	17
091887	60	10	112760	19	27	520063	13	41	650204	21	66
092522	21	36	112883	31	31	520066	21	12	650204	23	29
092523	21	37	112884	63	03	520084	13	72	650204	23	49
092524	21	38	112885	63	04	520084	52	13	650211	25	47
092526	21	10	112886	63	12	520090	23	16	650315	17	51
092527	21	39	112892	63	11	520153	21	13	650315	47	16
092531	21	43	112899	31	30	520153	38	24	650372	35	07
092531	33	59	112917	62	13	520154	38	10	650406	11	51
092532	21	45	112929	49	59	520155	38	11	650419	19	49
092534	23	14	112929	51	13	520171	21	29	650426	63	07
092537	21	46	117902	63	10	520172	21	73	650448	11	58
092537	36	08	118241	62	01	520199	11	19	650448	15	18
092538	21	43	118242	62	04	520199	60	07	650448	47	17
092538	33	59	118451	15	36	520199	61	20	650449	46	07
092539	21	45	118452	15	39	520200	11	23	650486	13	22
092684	60	22	120773	21	04	520200	60	08	650486	15	19
092684	62	03	122756	31	36	520200	61	19	650486	17	53
092988	62	02	124773	23	36	520201	11	25	650486	19	15
093025	60	16	125946	63	05	520201	38	17	650486	21	54
093028	60	13	126740	11	60	520201	60	04	650486	23	61
093030	60	23	127797	23	67	520201	61	23	650486	27	48
									650486	29	32

MX125 - NUMERICAL INDEX

Part No.	Page No.	Ref. No.	Part No.	Page No.	Ref. No.	Part No.	Page No.	Ref. No.	Part No.	Page No.	Ref. No.
650486	31	48	650533	27	06	650692	43	18	653005	46	10
650486	38	04	650535	45	30	650695	65	01	653005	47	26
650486	41	15	650545	13	42	650704	23	52	653007	11	40
650486	43	15	650545	15	44	650704	25	58	653007	13	27
650486	45	04	650545	21	31	650704	45	05	653007	15	25
650486	47	18	650545	40	26	650706	19	56	653007	17	71
650487	11	31	650545	43	42	650725	19	19	653007	19	74
650487	13	46	650549	19	52	650733	13	26	653007	21	19
650487	15	20	650549	29	14	650754	19	73	653007	23	63
650487	19	16	650549	47	20	650786	11	38	653007	25	62
650487	21	14	650550	19	53	650786	17	64	653007	27	62
650487	23	37	650550	29	15	650786	25	59	653007	29	06
650487	25	49	650550	47	21	650786	46	09	653007	31	18
650487	27	49	650550	62	06	650790	23	19	653007	41	17
650487	29	25	650553	46	08	650790	45	34	653007	43	20
650487	31	14	650568	13	43	650815	29	17	653007	45	06
650487	43	16	650568	15	22	650815	47	25	653007	47	27
650487	45	11	650568	23	38	650815	62	05	653010	11	41
650487	47	19	650568	31	49	650835	17	65	653010	13	45
650488	19	51	650572	19	54	650835	19	57	653010	19	61
650488	25	50	650573	15	23	650848	17	88	653010	23	31
650490	11	12	650573	17	60	650848	41	34	653010	25	63
650490	13	23	650573	21	17	650851	19	58	653010	27	07
650490	17	55	650573	25	56	650860	17	67	653010	31	20
650490	21	61	650573	41	31	650860	45	31	653010	40	29
650490	23	30	650577	21	40	650863	63	09	653010	45	07
650490	25	51	650577	29	16	650887	19	20	653010	62	09
650490	27	51	650577	31	19	650904	23	53	653018	11	42
650490	40	23	650577	47	22	650906	25	60	653018	17	89
650490	41	16	650578	27	77	650927	35	06	653018	23	54
650490	45	23	650585	40	27	650946	45	35	653018	25	64
650490	62	07	650588	21	15	650949	27	61	653021	21	20
650491	13	59	650590	47	23	650949	43	19	653021	65	04
650491	25	52	650629	17	61	650968	21	55	653026	11	52
650491	31	17	650644	11	36	650975	19	59	653026	21	21
650495	11	14	650647	21	16	651327	35	07	653026	65	05
650496	43	17	650648	47	24	652059	17	69	653034	23	39
650497	23	50	650650	40	28	653005	11	55	653034	43	43
650502	17	56	650663	19	55	653005	13	67	653034	45	15
650502	23	51	650663	63	08	653005	15	24	653038	17	73
650502	40	25	650687	13	25	653005	17	70	653038	25	66
650513	35	05	650687	19	18	653005	19	60	653047	19	62
650527	17	87	650687	23	62	653005	21	18	653094	13	63
650527	25	53	650687	25	57	653005	23	20	653098	45	40
650528	19	17	650687	29	05	653005	29	22	653102	11	28
650533	25	54	650692	13	44	653005	45	36	653102	60	02
									654002	11	56






MX125 - NUMERICAL INDEX

Part No.	Page No.	Ref. No.	Part No.	Page No.	Ref. No.	Part No.	Page No.	Ref. No.	Part No.	Page No.	Ref. No.
654002	13	68	654006	45	24	654024	41	20	655533	21	63
654002	15	30	654006	46	13	654024	43	22	655537	23	57
654002	17	75	654009	17	90	654024	45	08	660004	33	39
654002	19	63	654009	19	24	654024	47	30	660004	38	15
654002	46	12	654009	25	70	654026	11	47	660010	59	28
654002	47	28	654009	41	19	654026	13	31	660014	59	29
654004	11	44	654012	21	23	654026	17	80	660021	59	30
654004	13	28	654012	33	53	654026	21	62	660032	25	74
654004	15	26	654014	21	24	654026	23	32	660039	31	41
654004	17	76	654014	65	07	654026	25	72	660039	33	23
654004	19	22	654022	11	57	654026	27	09	660064	59	31
654004	21	22	654022	13	69	654026	31	28	801601	64	
654004	23	40	654022	15	27	654026	40	31	801666	64	
654004	25	68	654022	17	78	654026	41	21	801786	64	
654004	27	68	654022	19	66	654026	45	09	802046	59	
654004	29	07	654022	21	25	654026	62	08	802558	56	
654004	31	21	654022	45	37	654030	11	48	802776	61	
654004	38	03	654022	46	14	654030	17	91	802777	61	
654004	43	21	654022	47	29	654030	23	56	803419	52	
654004	45	16	654024	11	46	654030	25	73	803421	56	
654006	11	16	654024	13	30	654032	19	68	803422	52	
654006	11	45	654024	15	28	654032	21	27	803423	55	
654006	13	29	654024	17	79	654032	65	03	803424	53	
654006	17	77	654024	19	67	654034	11	53	804777	62	
654006	19	23	654024	21	26	654034	65	06	804778	62	
654006	23	55	654024	23	64	655016	43	23	806326	62	
654006	25	69	654024	25	71	655018	26	25	850252	53	
654006	27	08	654024	27	71	655018	52	22	210-31017	13	37
654006	40	30	654024	29	08	655020	11	29	230-30569	31	33
654006	41	18	654024	38	05	655041	41	22			

TORQUE SPECIFICATIONS

NOTE: Use these torque values when tightening **GEHL** hardware (excluding: Locknuts and Self-tapping, Thread Forming and Sheet Metal Screws) unless specified otherwise.

All torque values are in Lb-Ft except those marked with an * which are Lb-In
(For metric torque value Nm, multiply Lb-Ft value by 1.355 or Lb-In value by 0.113)

Unified National Thread	Grade 2 		Grade 5 		Grade 8 	
	Dry	Lubed	Dry	Lubed	Dry	Lubed
8-32 8-36	19* 20*	14* 15*	30* 31*	22* 23*	41* 43*	31* 32*
10-24 10-32	27* 31*	21* 23*	43* 49*	32* 36*	60* 68*	45* 51*
1/4-20 1/4-28	66* 76*	50* 56*	9 10	75* 86*	12 14	9 10
5/16-18 5/16-24	11 12	9	17 19	13 14	25	18 20
3/8-16 3/8-24	20 23	15 17	30 35	23 25	45 50	35
7/16-14 7/16-20	32 36	24 27	50 55	35 40	70 80	55 60
1/2-13 1/2-20	50 55	35 40	75 90	55 65	110 120	80 90
9/16-12 9/16-18	70 80	55 60	110 120	80 90	150 170	110 130
5/8-11 5/8-18	100 110	75 85	150 180	110 130	220 240	170 180
3/4-10 3/4-16	175 200	130 150	260 300	200 220	380 420	280 320
7/8-9 7/8-14	170 180	125 140	430 470	320 360	600 660	460 500
1-8 1-14	250 270	190 210	640 710	480 530	900 1000	680 740
Metric Course Thread	Grade 8.8 		Grade 10.9 		Grade 12.9 	
	Dry	Lubed	Dry	Lubed	Dry	Lubed
M6-1	8	6	11	8	13.5	10
M8-1.25	19	14	27	20	32.5	24
M10-1.5	37.5	28	53	39	64	47
M12-1.75	65	48	91.5	67.5	111.5	82
M14-2	103.5	76.5	145.5	108	176.5	131
M16-2	158.5	117.5	223.5	165.5	271	200

GEHL®

Gehl Company 143 Water Street, P.O. Box 179, West Bend, WI 53095-0179