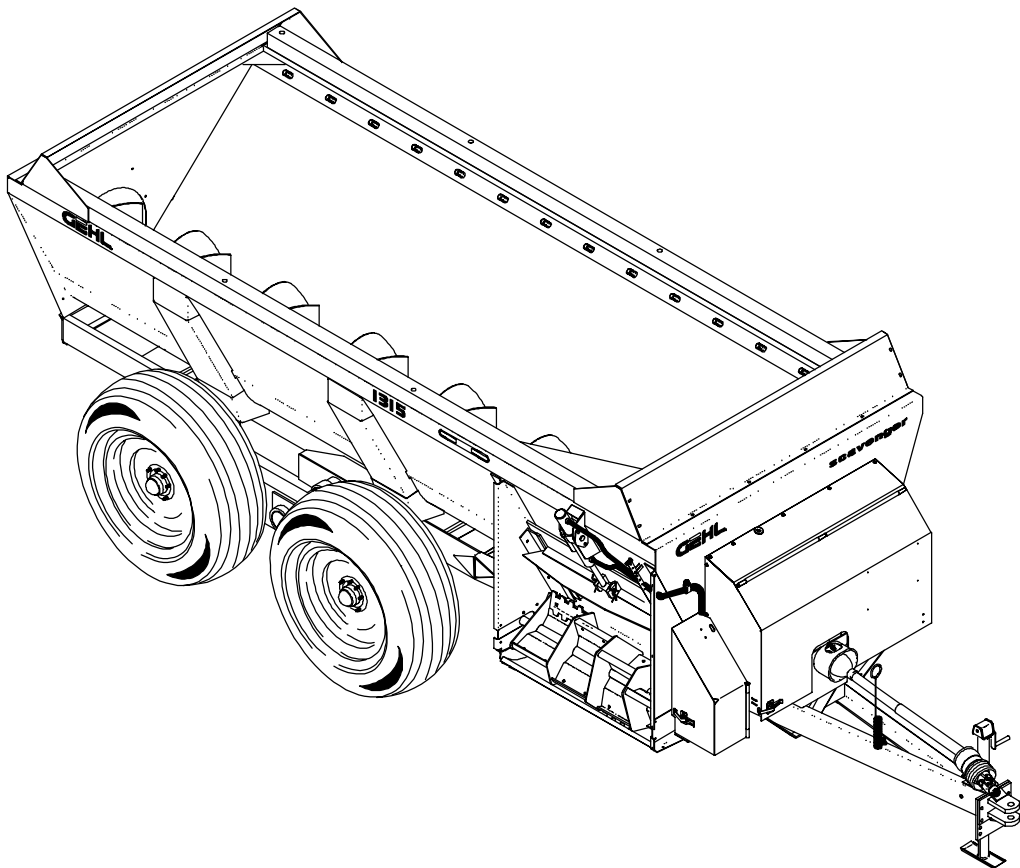


Form No.
907503
Revision B

1309, 1312, 1315, 1322

Scavenger[®]

Manure Spreaders



PARTS MANUAL

GEHL[®] AGRICULTURE

Introduction

When ordering service parts, specify the correct part number, full description, quantity required, the unit model number and serial number.

The Spreader model and serial numbers are on a plate located on the front, left corner of the tank. "Right" and "left" are determined from a position standing behind the Spreader and facing in the direction of travel. From this position, the expeller is on the "right" side.

GEHL Company reserves the right to make changes or improvements in the design or construction of any part of the unit without incurring the obligation to install such changes on any previously delivered units.

NOTE: *On original tire replacement, company policy prohibits the sale of replacement tires for all GEHL machinery. Replacement wheel sets are available and tire size information is called out with the wheel sets to facilitate replacement tire selection. ALL REPLACEMENT TIRES MUST BE PURCHASED LOCALLY.*

Refer to the abbreviations table located on this page for the various fastener descriptions. Standard attaching hardware torque values are also provided on the inside back cover.

Items shown in the parts list that do not have Reference Numbers are shown for reference purposes only and are NOT available for purchase.

Unless otherwise specified, all cap screws or bolts are Grade 5, cadmium or zinc plated; hexagon nuts for Grade 5 screws or bolts are Grade B; hexagon nuts for other screws or bolts are Grade A.

NOTE: *The following abbreviations may be used herein:*

ASSD	- Assembled
ASSY	- Assembly
CB	- Carriage Bolt
CCW	- Counterclockwise
CP	- Cotter Pin

CS	- Cap Screw (Hexagon Head)
CTR	- Center
CW	- Clockwise
DEG	- Degree
DIA	- Diameter
FCS	- Flanged Cap Screw
FHMS	- Flat Head Machine Screw
FL	- Flanged
FLN	- Flanged Lock Nut (Hexagon)
FLS	- Flanged Lock Screw (Hexagon)
FW	- Flat Washer
GA	- Gauge
GR	- Grade
HD	- Hard or Head
HN	- Hex Nut
INCL	- Includes
JT	- Joint
LFLN	- Large Flanged Lock Nut (Hexagon)
LG	- Large
LH	- Left Hand
LN	- Lock Nut
LT	- Left
LW	- Lock Washer
M	- Metric
MM/mm	- Millimeter
NF	- National Fine
PB	- Plow Bolt
PTO	- Power Take Off
RH	- Right Hand
RHMS	- Round Head Machine Screw
RPM	- Revolutions Per Minute
RT	- Right
SERR	- Serrated
SHCS	- Socket Head Cap Screw
SHSS	- Socket Head Set Screw
SN	- Serial Number or Slotted Nut
SQ	- Square
T	- Tooth or Teeth
TFS	- Thread Forming Screw
THMS	- Truss Head Machine Screw
THRD	- Thread
WLDMT	- Weldment

TABLE OF CONTENTS

Subject	Page No.
Introduction	Inside Front Cover
Decal Locations	2-3
Auger, Liner, Slides & Hitch	4-5
Auger Drive	6-7
Expeller & Discharge Gate	8-9
Input Shaft & Expeller Drive	10-11
Hydraulics	12-15
Guards & Shields	16-17
1309 - Single Axles	18
1312 - Single Axles	19
1312 - Tandem Axles	20-21
1315 - Tandem Axles	22-23
1322 - Tandem Axles	24-25
1322 - Tandem Axles (w/Brakes)	26-27
1322 - Tandem Axles (Brake Hydraulics)	28-29
Transport Lights	30-31
Tank Repair Panels	32
Component Breakdowns	33-39
Augers	33
Hydraulic Cylinders	34
Splash Guards & Rails	35
Hitchjacks	36-37
PTO - 540 RPM (1309 & 1312, 1315)	38
PTO - 1000 RPM (1322)	39
Options & Accessories	40-43
Hydraulic Lid Kit	40-41
Safety Chains	42
Chain Oiler	43-44
Index	45
Numerical Index	46-51
Hydraulic Fitting Data	52
Standard Hardware Torque Specifications	Inside Back Cover

DECAL LOCATIONS

GENERAL INFORMATION

Decal locations information is provided to assist in the proper selection and application of new decals, in the event the original decals become damaged or the machine is repainted. Refer to the listing for the photograph reference number, part number, description and quantity of each decal provided in the kit. Refer to the appropriate photographs for replacement locations.

NOTE: Refer to the *SAFETY* chapter for information on the safety decals in the decal kit.

To ensure proper selection for correct replacement decals, compare all of the various close-up location photographs to your machine **BEFORE** starting to refinish the unit. Then circle each pictured decal (applicable to your machine) while checking off its part number in the listing. After you have verified all the decals needed for replacement, set aside unneeded decals for disposal.

NEW DECAL APPLICATION

Surfaces **MUST** be free from dirt, dust, grease and other foreign material before applying the new decal. To apply a solid-formed decal, remove the smaller portion of the decal backing paper and apply this part of the exposed adhesive backing to the clean surface while maintaining proper position and alignment. Slowly peel off the other portion of the backing paper while applying hand pressure to smooth out the decal surface.



CAUTION

ALWAYS observe safety precautions shown on decals. If decals become damaged, or if the unit is repainted, replace the decals. If repainting, **BE SURE** that **ALL** decals from the kits that apply to your machine are affixed to your unit.

PAINT NOTICE

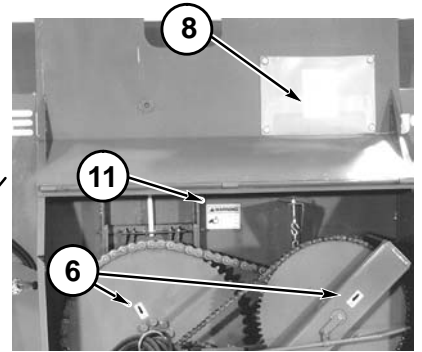
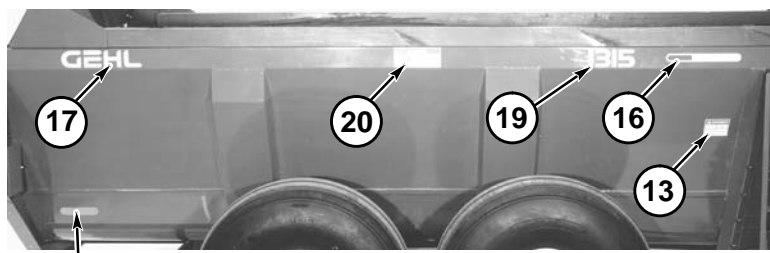
Use this list to order paint for refinishing:

906315	One Gal. AG Red
906324	One Qt. Light Grey
906316	6 (12 oz. Spray Cans) AG Red
906325	6 (12 oz. Spray Cans) Light Grey

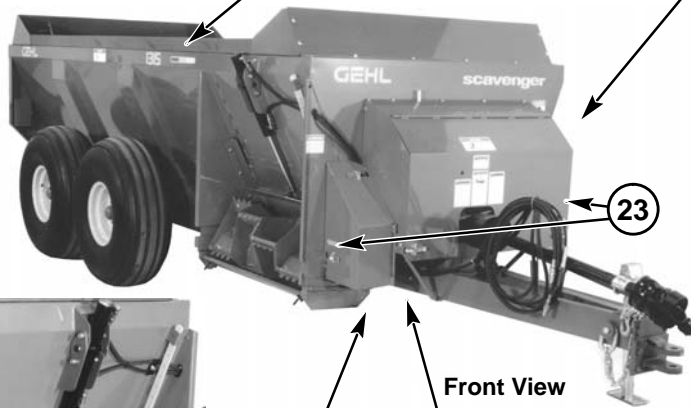
The decal kit number for the 1309/1312/1315/1322 Scavenger Manure Spreaders is 141263. The kit includes the following:

Ref. No.	Part No.	Description & Quantity
1	145234	SMV Decal
2	060510	Jack Storage Position
3	060511	Jack Lifting Position
4	145216	Red Reflector Strip (2 Places)
5	091444	DANGER - Rotating Drive Line
6	093020	Lubrication Symbol (7 Places W/Tandem Axles, 5 Places W/Single Axles)
7	093208	Rotating Spiral Symbol
8	093366	IMPORTANT - Store Manual Here
9	093367	WARNING - Owner's Responsibility & Read Manual
10	093373	WARNING - General Safety Precautions
11	093457	WARNING - Keep Door Closed (2 Places)
12	093466	WARNING - 540 RPM Operation ONLY
	093465	WARNING - 1000 RPM Operation ONLY
13	093638	DANGER - Rotating Expeller (2 Places)
14	093653	WARNING - Rotating Drive Line
15	093639	DANGER - Manure Gas
16	094912	Colorbar (2 Places)
17	094913	GEHL (4 Places - 1309, 1312, 1315, 2 Places - 1322)
18	094951	Made in USA
19	115628*	Decal - All Model Numbers (2 Places)
20	120399	DANGER - Rotating Auger (3 Places)
21	120740	Scavenger Decal (2 Places, All Models)
22	141249	Decal - Patent
23	145217	Amber Reflector Strip (2 Places - 1309, 4 Places - 1312, 1315, 5 Places - 1322)
24	122736	GEHL (2 Places - 1322)

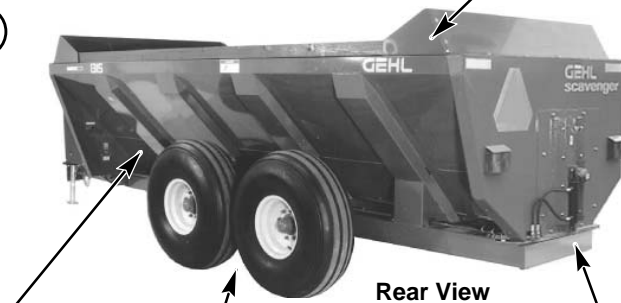
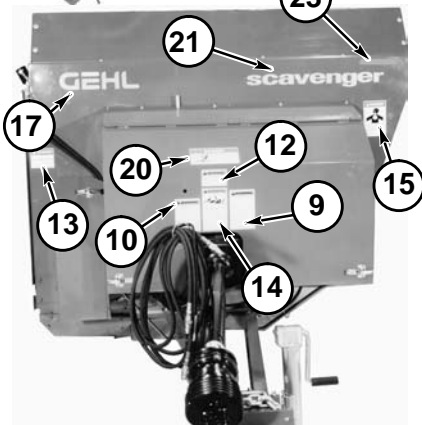
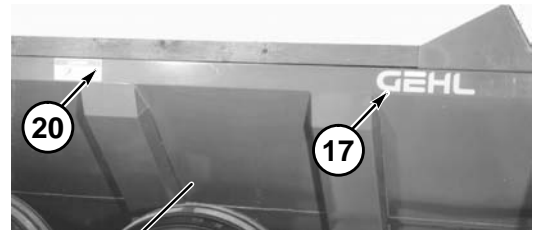
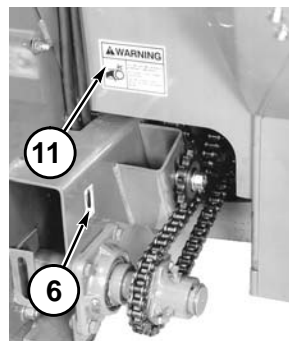
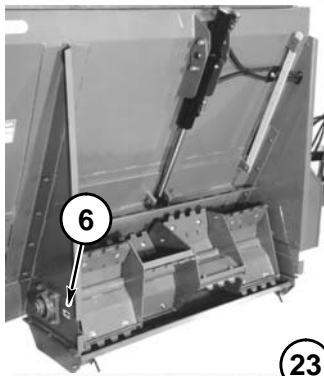
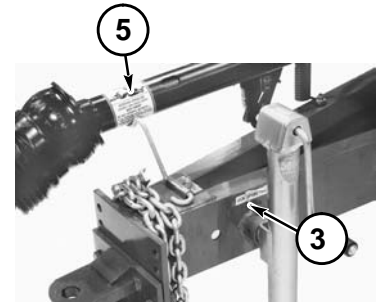
* 115628 model number decal covers all Scavenger model numbers.



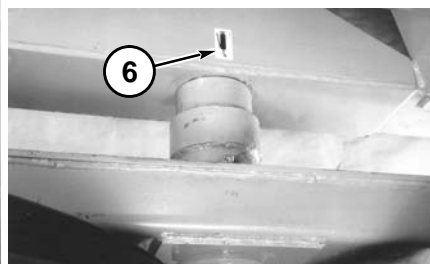
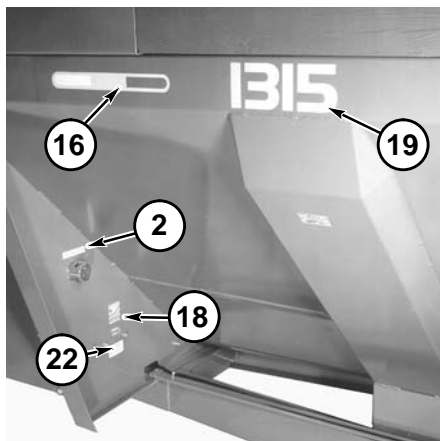
23
Both Sides



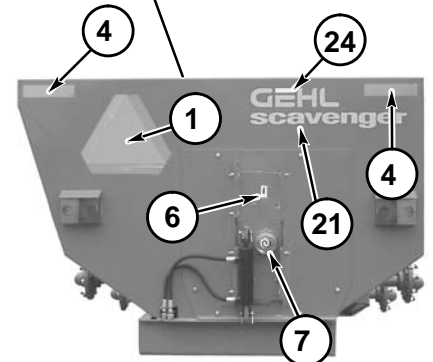
Front View



Rear View



Tandem Axles Only



1309/1312/1315/1322 - AUGER, LINER, SLIDES & HITCH

Ref. No.	Part No.	Description	Quantity			
			1309	1312	1315	1322
1	H7710	BUSHING	2	2	2	2
2	061845	CONNECTOR/STRAIGHT TUBE	8	8	8	8
3	061847 _e	ADAPTER/BULKHEAD	4	4	4	4
4	061848	NUT/BULKHEAD ADAPTER	4	4	4	4
5	070856	LFLN 3/8	11	12	14	14
6	075105	FITTING/GREASE	5	5	5	5
7	141782	RETAINER/LINER (7 SLOTS)	1	-	2	2
	141810	RETAINER/LINER (4 SLOTS)	1	-	-	-
	141809	RETAINER/LINER (6 SLOTS)	-	2	-	-
8	088749	COLLAR/SET	1	1	1	1
9	143470 _a	JACK/ASSY (FULTON)	1	1	1	-
	088841 _a	JACK/ASSY (WESBAR)	1	1	1	-
	170695 _a	JACK/ASSY (HAMMERBLOW)	-	-	-	1
	082027 _a	JACK/ASSY (THURSTON)	-	-	-	1
10	090585	TRUNNION/HOUSING ASSY	1	1	1	1
11	094839	LINER/TANK	1	-	-	-
	094840	LINER/TANK	-	1	-	-
	094841	LINER/TANK	-	-	1	-
	094842	LINER/TANK	-	-	-	1
12	097286	BEARING/AUGER FIBER	1	1	1	1
13	098088	BEARING/FIBER AUGER	1	1	1	1
14	110033	HITCH/ASSY	1	1	1	-
	120755	HITCH/ASSY	-	-	-	1
15	120255	COVER/TANK REAR ASSY	1	1	1	1
16	120765	SLIDE/REAR AUGER ASSY	1	1	-	-
	120257	SLIDE/REAR AUGER ASSY	-	-	1	1
17	120334	PLATE/ADJUSTMENT	8	8	8	8
18	120950 _b	AUGER/ASSY	1	-	-	-
	120951 _b	AUGER/ASSY	-	1	-	-
	120358 _b	AUGER/ASSY	-	-	1	1
19	120320	PLATE/FRONT SLIDE ASSY	1	1	-	-
	120411	PLATE/FRONT SLIDE ASSY	-	-	1	-
	120321	PLATE/FRONT SLIDE ASSY	-	-	-	1
20	120530	ROD/INDICATOR	1	1	1	-
	120551	ROD/INDICATOR	-	-	-	1
21	080638	LINER/AUGER FRONT	1	1	-	-
	120750	LINER/SLIDE FRONT	-	-	1	1
22	120927	LINER/SLIDE REAR	1	1	1	1
23	053894	FITTING/GREASE	4	4	4	4
24	650221	SHSS 1/2X1/2	2	2	2	2
25	650490	CS 3/8X1	-	-	8	8
26	650773	CB 3/8X1-1/2	16	16	16	16
27	650844	CS 5/8X1-3/4	2	2	2	2
28	651167	CS 5/8X2 GR8	4	4	4	-
	651090	CS 3/4X2 GR8	-	-	-	4
29	653010	HN 3/8	24	24	24	24
30	653021	HN 5/8	4	4	4	-
	064331	LN 3/4	-	-	-	4
31	654012	FW 5/8	2	2	2	2
32	654026	LW 3/8	24	24	24	24
33	654032	LW 5/8	6	6	6	2
34	655018	CP 3/16X1-1/4	2	2	2	-
	655016	CP 3/16X1	-	-	-	2
35	119493	CAP/VINYL	1	1	1	1
36	061846	NUT/COMPRESSION	8	8	8	8
37	065185 _{ce}	KIT/GREASE TUBING	4	4	4	4
	142303 _{df}	KIT/GREASE TUBE	4	4	4	4
38	142302 _f	CONNECTOR	4	4	4	4
39	142301 _f	ELBOW/90 DEG	4	4	4	4

a) For Hitchjack repair see Component Breakdowns page titled Hitchjacks.

b) For Auger repair see Component Breakdowns page titled Augers.

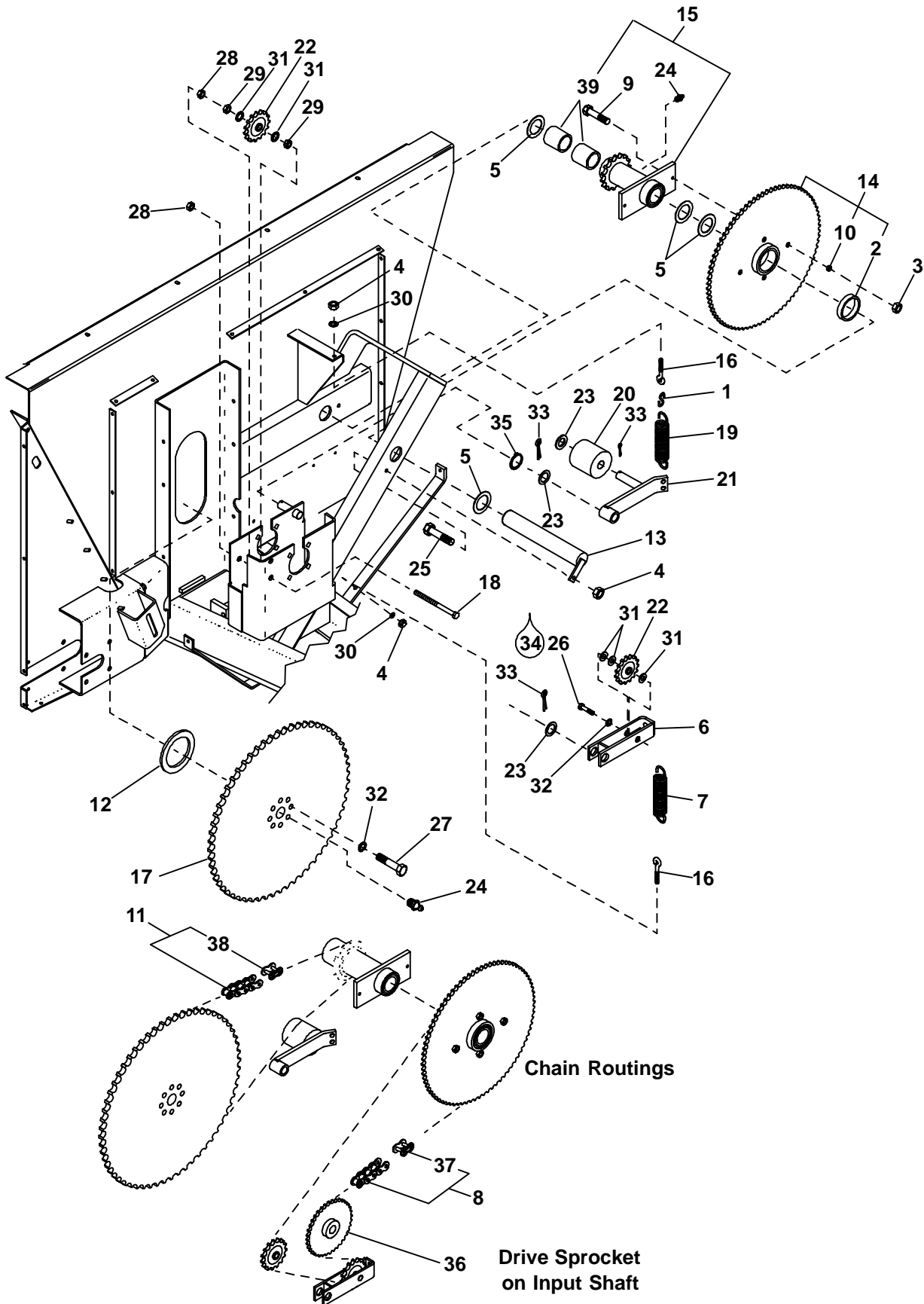
c) Kit contains 5 ft Steel Tubing, two 061846 Compression Nuts and one 061844 Compression Nut.

d) Kit contains 3 ft Nylon Tubing, one 141301 90 degree Elbow and one 142302 Connector.

e) BEFORE SN5577-1309, 6884-1312, 6472-1315 & 6590-1322.

f) AFTER SN5576-1309, 6883-1312, 6471-1315 & 6589-1322.

1309/1312/1315/1322 - AUGER DRIVE

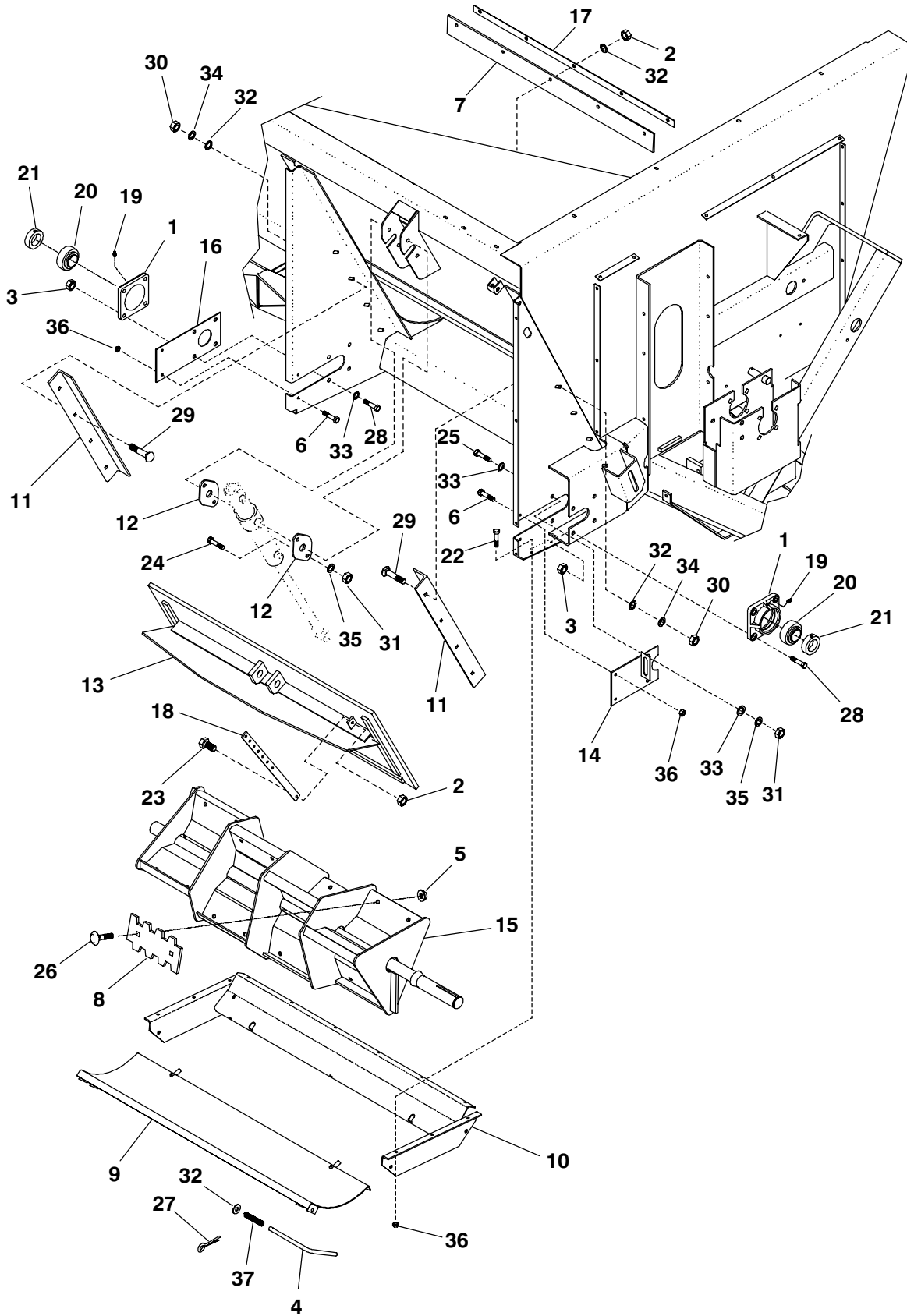


1309/1312/1315/1322 - AUGER DRIVE

Ref. No.	Part No.	Description	Quantity			
			1309	1312	1315	1322
1	B11433A	HOOK-S	1	1	1	1
2	062815	BUSHING/BRONZE (REQUIRES BORE SIZING AFTER INSTALLATION)	2	2	2	2
3	071701	LN 5/16	2	2	2	2
4	071703	LN 3/8	3	3	3	3
5	076085	FW 2 (SPECIAL)	4	4	4	4
6	080618	IDLER/540 ASSY	1	1	1	1
7	080646	SPRING/EXTENSION	-	-	1	1
8	080658	CHAIN/ROLLER #60 X 140 (540 RPM ONLY)	1	1	1	1
	084801	CHAIN/ROLLER #60 X 166 (1000 RPM ONLY)	-	-	-	1
9	081655	PACKAGE/8 SHEAR BOLTS (2 USED PER UNIT)	2	2	2	2
10	141816	BUSHING	2	2	2	2
11	083680	CHAIN/ROLLER #80HE X 92	1	1	-	-
	082265	CHAIN/ROLLER #100HE X 76	-	-	1	1
12	083663	SPACER	1	-	1	1
13	083664	JACKSHAFT/ASSY	1	1	1	1
14	142912	SPROCKET/ASSY 80T (540) RPM ONLY)	1	1	1	1
	142778	SPROCKET/ASSY 119T (1000 RPM ONLY)	-	-	-	1
15	083674	HUB/JACKSHAFT ASSY	1	1	-	-
	094242	HUB/JACKSHAFT ASSY	-	-	1	1
16	095026	BOLT/EYE	2	2	2	2
17	097257	SPROCKET/80B70 ASSY	1	1	-	-
	080394	SPROCKET/#100X60T ASSY	-	-	1	1
18	157885	BOLT/IDLER	1	1	1	1
19	120347	SPRING/EXTENSION	1	1	1	1
20	120539	ROLLER/IDLER	1	1	1	1
21	120553	IDLER/ASSY	1	1	1	1
22	124773	SPROCKET/IDLER ASSY	2	2	2	2
23	128015	FW 1-1/32 (SPECIAL)	6	6	6	6
24	570002	FITTING/GREASE	2	2	2	2
25	650492	CS 3/8X2-1/2	1	1	1	1
26	650647	CS 5/8X2	1	1	1	1
27	651075	CS 5/8X1-3/4	8	8	8	8
28	653021	HN 5/8	2	2	2	2
29	653047	JN 5/8	2	2	2	2
30	654006	FW 3/8	2	2	2	2
31	654012	FW 5/8	2	2	5	4
32	654032	LW 5/8	8	8	9	9
33	655020	CP 3/16X1-1/2	2	2	2	2
34		SEALANT/THREAD (LOCTITE® OR EQUIVALENT)	X	X	X	X
35	045026	RING/RETAINING	1	1	1	1
36	120938 _a	SPROCKET/60B18 (STANDARD)(540 RPM)	1	1	1	1
	087052 _a	SPROCKET/ASSY 13T (OPTIONAL)(540 RPM)	1	1	1	1
	080655 _a	SPROCKET/60B15T (OPTIONAL)(540 RPM)	1	1	1	1
	119704 _a	SPROCKET/60B20 (OPTIONAL)(540 RPM)	1	1	1	1
	080655 _a	SPROCKET/60B15T (STANDARD)(1000 RPM)	-	-	-	1
	087052 _a	SPROCKET/ASSY 13T (OPTIONAL)(1000 RPM)	-	-	-	1
	084799 _a	SPROCKET/ASSY 16T (OPTIONAL)(1000 RPM)	-	-	-	1
37	611059	LINK/CONNECTOR #60	1	1	1	1
38	080305	LINK/CONNECTOR #80HE	1	1	-	-
	082489	LINK/CONNECTOR #100HE	-	-	1	1
39	083678	BUSHING/BRONZE (REQUIRES BORE SIZING AFTER INSTALLATION)	2	2	2	2

a) See Operation chapter of Operator's Manual for proper application.

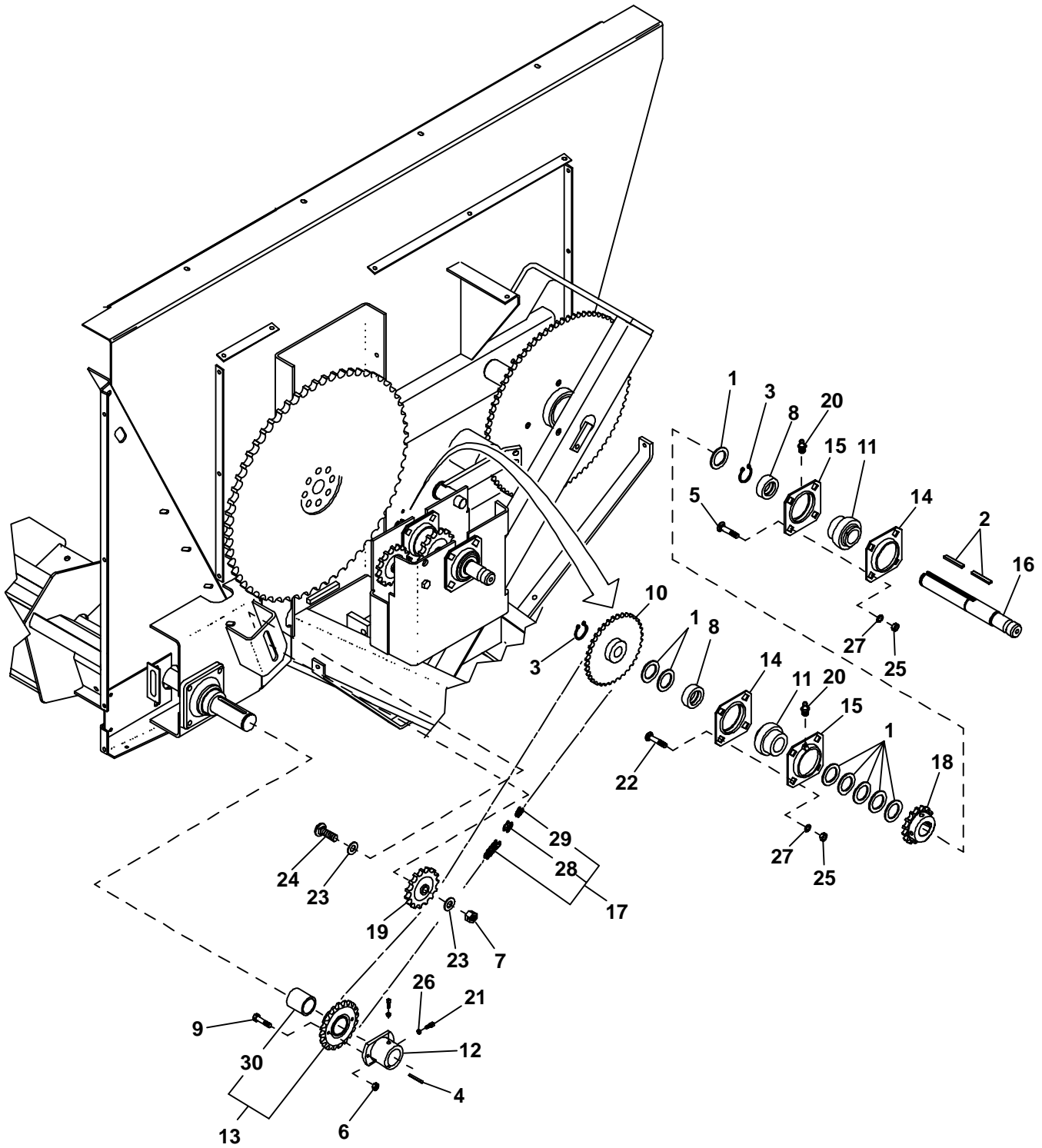
1309/1312/1315/1322 - EXPELLER & DISCHARGE GATE



1309/1312/1315/1322 - EXPELLER & DISCHARGE GATE

Ref. No.	Part No.	Description	Quantity			
			1309	1312	1315	1322
1	R13216	HOUSING/BEARING	2	2	2	2
2	071703	LN 3/8	6	6	6	6
3	071706	LN 1/2	8	8	8	8
4	076373	PIN/RETAINER	2	2	2	2
5	210-19530	FLN 1/2	18	18	24	24
6	081380	FLS 516X3/4	4	4	4	4
7	118016	WIPER/RUBBER	1	1	-	-
	082010	WIPER/RUBBER	-	-	1	1
8	094474	TOOTH/EXPELLER	9	9	12	12
9	120239	PAN/ASSY	1	1	-	-
	120240	PAN/ASSY	-	-	1	1
10	120244	PANEL/ASSY	1	1	-	-
	120245	PANEL/ASSY	-	-	1	1
11	120928	SLIDE/GATE	2	2	-	-
	120249	ANGLE/GATE RETAINER	-	-	2	2
12	120356	FLANGE/PIN MOUNT	2	2	2	-
13	120241	GATE/ASSY	1	1	-	-
	120544	GATE/ASSY	-	-	1	1
14	120930	COVER/DISCHARGE ASSY	1	1	-	-
	120587	COVER/SLOT ASSY DISCHARGE	-	-	1	1
15	145155	EXPELLER/ASSY 3 SECTION	1	1	-	-
	120725	EXPELLER/ASSY 4 SECTION	-	-	1	1
16	120931	PLATE/COVER REAR	1	1	-	-
	120742	PLATE/COVER REAR	-	-	1	1
17	120990	STRIP/HOLDDOWN	1	1	-	-
	120751	STRIP/HOLDDOWN	-	-	1	1
18	141246	BAR/INDICATOR	1	-	-	-
	120549	BAR/INDICATOR	-	1	-	-
	120991	BAR/INDICATOR	-	-	1	-
	141247	BAR/INDICATOR	-	-	-	1
19	570002	FITTING/GREASE	2	2	2	2
20	520194	BEARING/BALL	2	2	2	2
21	520195	COLLAR/BEARING	2	2	2	2
22	650487	CS 5/16X1	12	12	12	12
23	650490	CS 3/8X1	1	1	1	1
24	650494	CB 1/2X1	4	4	4	4
25	650495	CS 1/2X1-1/4	2	2	2	2
26	651100	CB 1/2X1-1/4 GR8	18	18	24	24
27	650553	CP 1/8X3/4	2	2	2	2
28	650569	CS 1/2X1-3/4	8	8	8	8
29	650786	CB 3/8X1-1/4	6	6	8	8
30	653010	HN 3/8	6	6	8	8
31	653018	HN 1/2	6	6	6	10
32	654006	FW 3/8	13	2	15	5
33	654009	FW 1/2	8	4	8	10
34	654026	LW 3/8	6	6	8	8
35	654030	LW 1/2	6	6	6	2
36	070648	LG FLN 5/16	16	16	16	16
37	380-13297	SPRING	2	2	2	2

1309/1312/1315/1322 - INPUT SHAFT & EXPELLER DRIVE

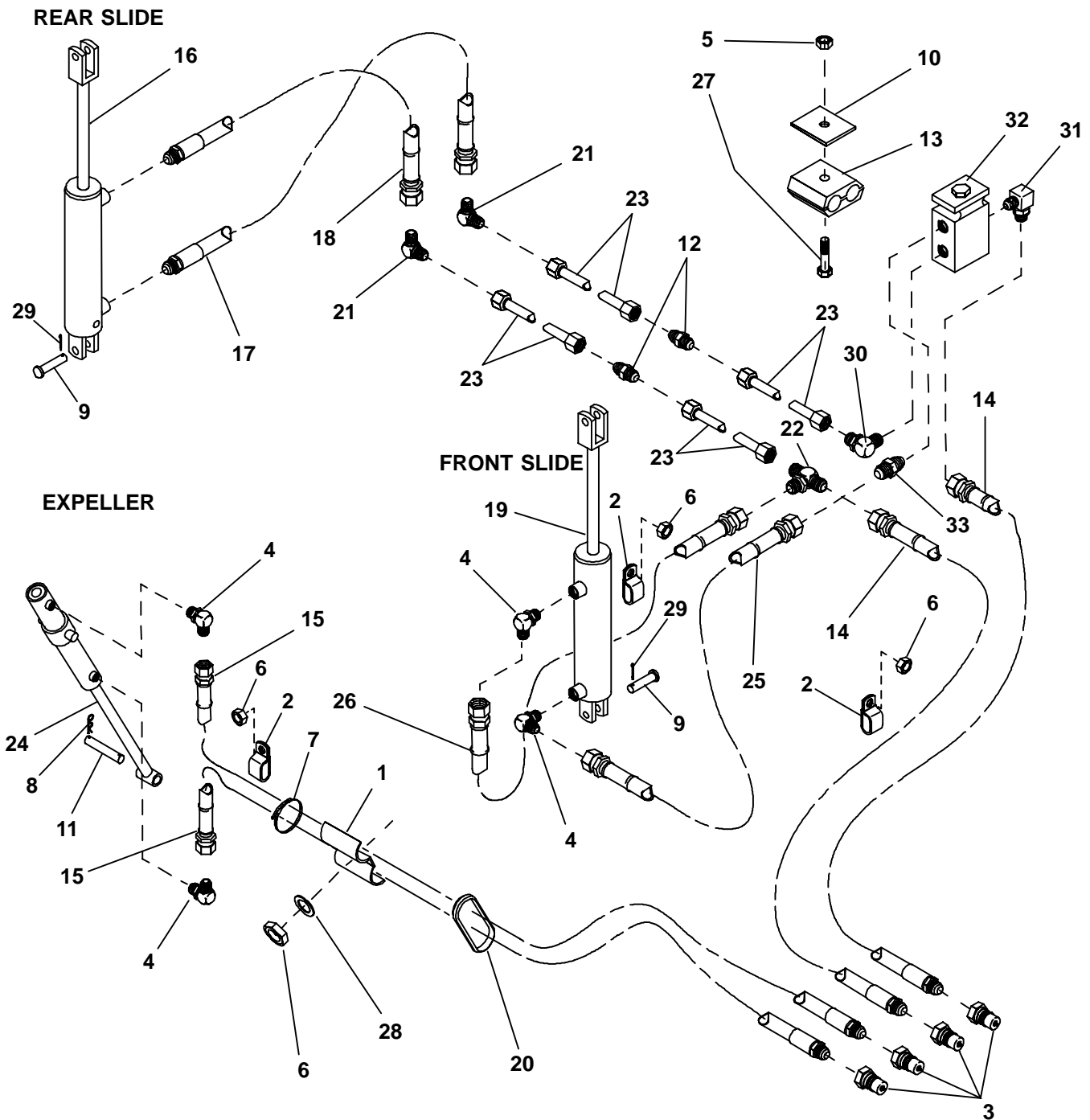


1309/1312/1315/1322 - INPUT SHAFT & EXPELLER DRIVE

Ref. No.	Part No.	Description	Quantity			
			1309	1312	1315	1322
1	H7119	FW 1-33/64	AR	AR	AR	AR
2	C14036	KEY/TRANSMISSION	2	2	2	2
3	051904	RING/RETAINING	2	2	2	2
4	056230	KEY/SQUARE	1	1	1	1
5	058579	CB 1/2X3	4	4	4	4
6	071700	LN 1/4	2	2	2	2
7	071709	LN 5/8	1	1	1	1
8	076082	COLLAR/BEARING	2	2	2	2
9	080079	BOLT/SHEAR 8 PACK GR8 (2 BOLTS USED PER UNIT)	2	2	2	2
10	080656 _a	SPROCKET/EXP DRIVE ASSY 30T (STANDARD)(540 RPM)	1	1	1	1
	091881 _a	SPROCKET/ 60X27T (OPTIONAL)(540 RPM)	1	1	1	1
	119703 _a	SPROCKET/60B36 (OPTIONAL)(540 RPM)	1	1	1	1
	084799 _a	SPROCKET/ASSY 16T (STANDARD)(1000 RPM)	-	-	-	1
	087052 _a	SPROCKET/ASSY 13T (OPTIONAL)(1000 RPM)	-	-	-	1
	080655 _a	SPROCKET/60B15T (OPTIONAL)(1000 RPM)	-	-	-	1
	119704 _a	SPROCKET/60B20 (OPTIONAL)(1000 RPM)	-	-	-	1
11	083666	BEARING/BALL	2	2	2	2
12	083669	FLANGE/SHEAR ASSY	1	1	1	1
13	084601	SPROCKET/ASSY 20T	1	1	1	1
14	110022	FLANGETTE/RELUBE 80 MM	2	2	2	2
15	110023	FLANGETTE/RELUBE 80 MM	2	2	2	2
16	120318	SHAFT/INPUT	1	1	1	1
17	120727	CHAIN/ROLLER #60HE X 96 (540 RPM ONLY)	1	1	1	1
	141251	CHAIN/ROLLER #60HE X 89 (1000 RPM ONLY)	-	-	-	1
18	120938	SPROCKET/60A18 (540 RPM ONLY)	1	1	1	1
	080655	SPKT/60B15T (1000 RPM ONLY)	-	-	-	1
19	124773	SPROCKET/IDLER ASSY	1	1	1	1
20	570002	FITTING/GREASE	2	2	2	2
21	650231	SQHSS 3/8X1	2	2	2	2
22	650527	CB 1/2X1-1/4	4	4	4	4
23	651150	FW 5/8	4	4	4	4
24	651320	CB 5/8X2	1	1	1	1
25	653018	HN 1/2	8	8	8	8
26	653038	JN 3/8	2	2	2	2
27	654030	LW 1/2	8	8	8	8
28	127797	LINK/CONNECTOR #60HE	1	1	1	1
29	076763	LINK/OFFSET CONN #60HE (1000 RPM ONLY)	-	-	-	1
30	045171	BUSHING/BRONZE (REQUIRES BORE SIZING AFTER INSTALLATION)	1	1	1	1

a) See Operation chapter of Operator's Manual for proper application.

1309/1312/1315/1322 - HYDRAULICS
(AFTER SN6259-1309, SN7685-1312, SN7511-1315, & SN7461-1322)

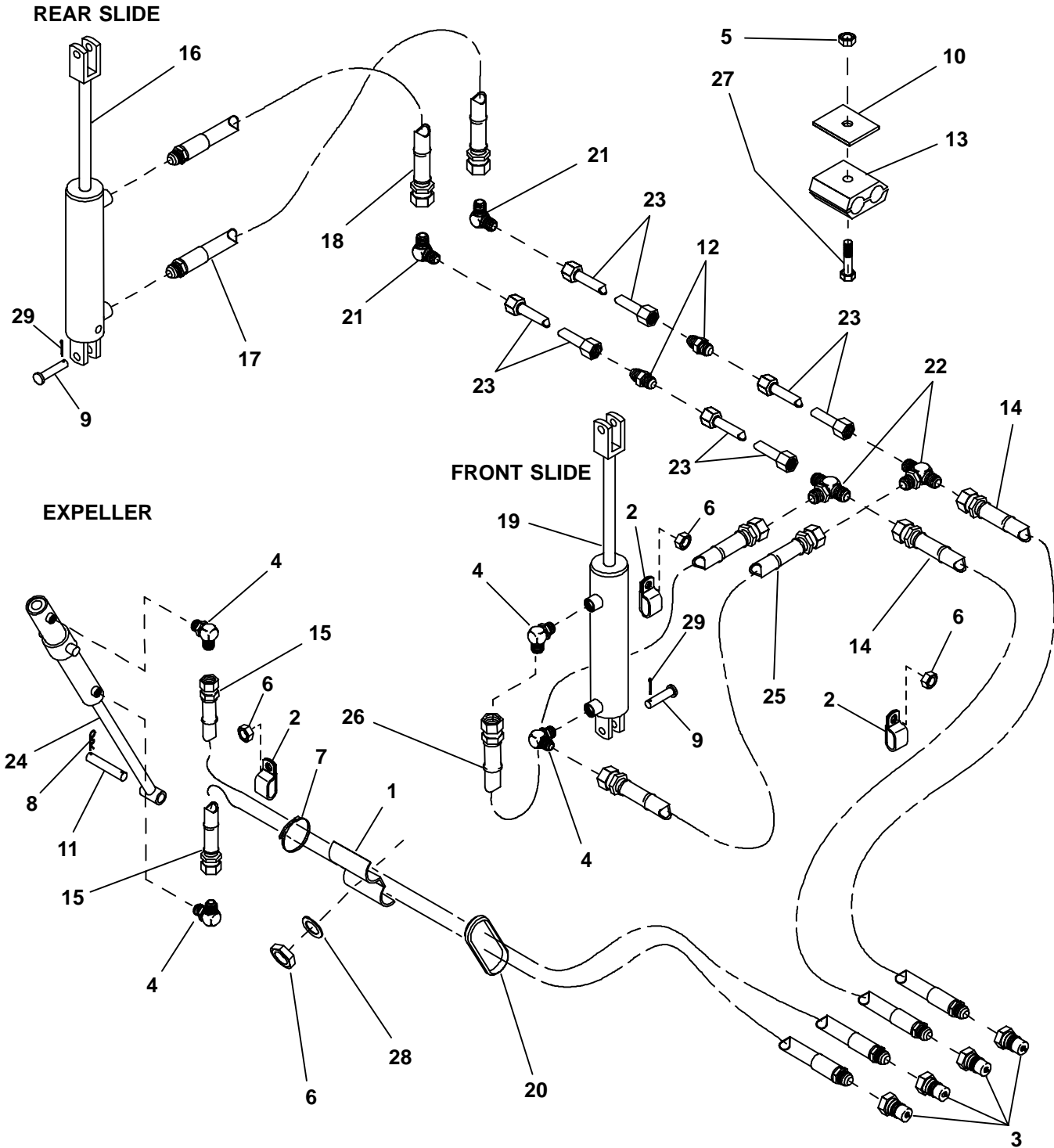


**1309/1312/1315/1322 - HYDRAULICS
(AFTER SN6260-1309, SN7686-1312, SN7512-1315, & SN7462-1322)**

Ref. No.	Part No.	Description	Quantity			
			1309	1312	1315	1322
1	018453	CLAMP/HOSE	1	1	1	1
2	055021	CLAMP/HOSE	4	4	4	4
3	056080	QUICK-DISCONNECT (MALE)	4	4	4	4
4	068938	ELBOW/HYD FITTING 90 DEG	2	2	4	2
5	071701	LN 5/16	3	3	3	3
6	071703	LN 3/8	5	5	5	5
7	074091	TIE/NYLON	4	4	4	4
8	076099	COTTER/HAIR PIN	2	2	2	4
9	076513	PIN/CLEVIS	4	4	4	4
10	079098	PLATE/TWIN COVER	3	3	3	3
11	080629	PIN/GATE CYLINDER	1	1	1	2
12	087107	UNION/HYD FITTING	2	2	2	2
13	088904	CLAMP/TUBE	3	3	3	3
14	097304	HOSE/ASSY	2	2	2	2
15	097305	HOSE/ASSY	2	2	2	2
16	110039 _a	CYLINDER/HYDRAULIC 2 X 6	1	1	-	-
	110450 _a	CYLINDER/HYDRAULIC 2 X 8	-	-	1	1
17	110037	HOSE/ASSY	1	1	1	1
18	110038	HOSE/ASSY	1	1	1	1
19	110039 _a	CYLINDER/HYDRAULIC 2 X 6	1	1	-	-
	110450 _a	CYLINDER/HYDRAULIC 2 X 8	-	-	1	1
20	118757	GROMMET	1	1	1	1
21	119257	ELBOW/JIC	2	2	2	2
22	119258	TEE/JIC	2	2	2	2
23	119692	TUBE	4	-	-	-
	119693	TUBE	-	4	-	-
	119694	TUBE	-	-	4	4
24	120346 _a	CYLINDER/HYD 2 X 16	1	1	1	-
	120362 _a	CYLINDER/HYD 2 X 16	-	-	-	1
25	110038	HOSE/ASSY	1	1	-	1
	120733	HOSE/ASSY	-	-	1	-
26	110037	HOSE/ASSY	1	1	-	1
	120733	HOSE/ASSY	-	-	1	-
27	650692	CS 5/16X1-3/4	3	3	3	3
28	654006	FW 3/8	1	1	1	1
29	655046	CP 5/32X1-3/4	4	4	4	4
30	114824	ELBOW/HYD FITTING 90 DEG	4	4	4	4
31	068938	ELBOW/90 DEG ADJUSTABLE	4	4	4	4
32	094164	VALVE/DIVIDER COMBINER	4	4	4	4
33	054994	ADAPTER/STR THD MALE O 37 DEG	4	4	4	4

a) See Component Breakdowns page entitled Hydraulic Cylinders.

1309/1312/1315/1322 - HYDRAULICS
(BEFORE SN6260-1309, SN7686-1312, SN7512-1315, & SN7462-1322)

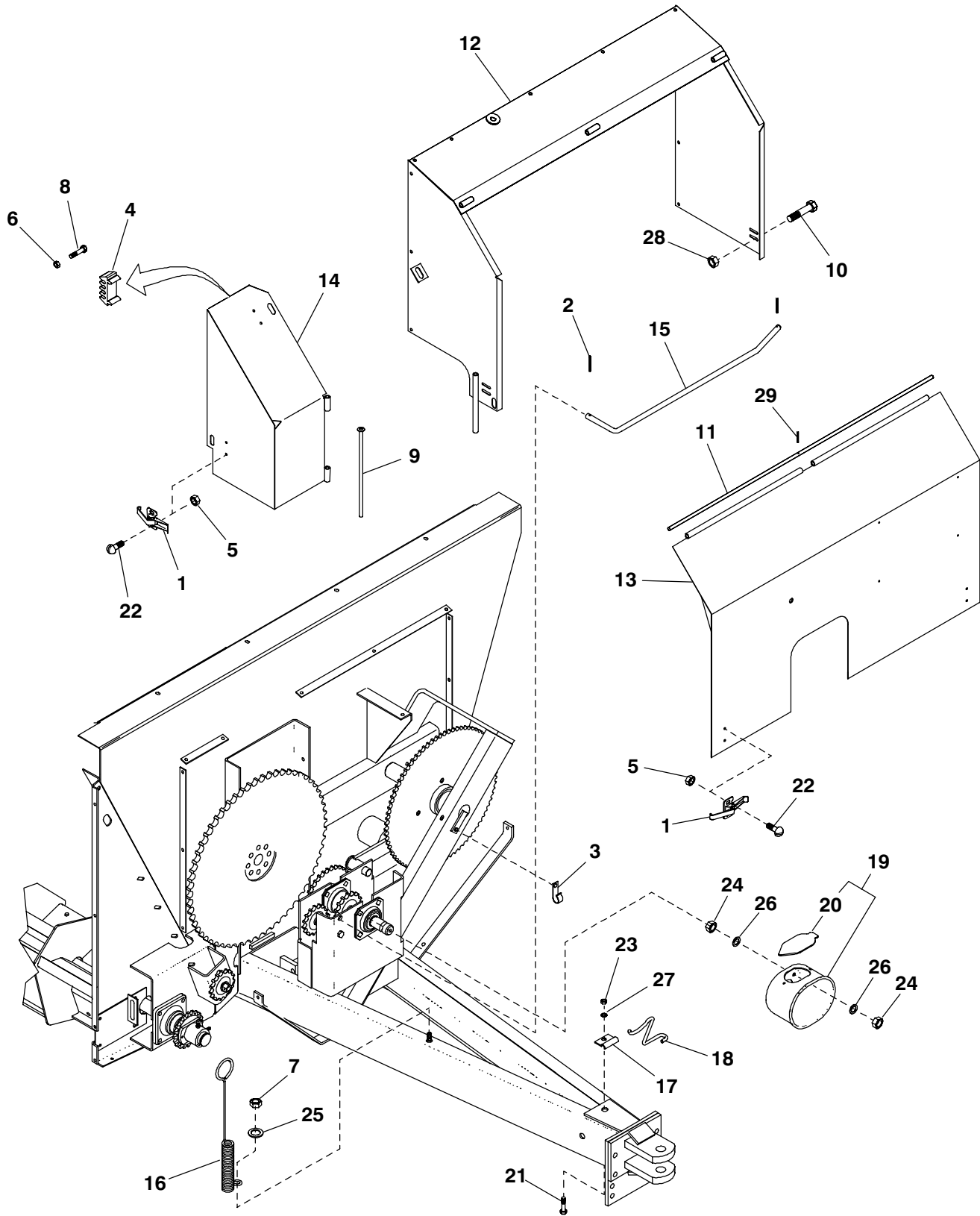


**1309/1312/1315/1322 - HYDRAULICS
(BEFORE SN6260-1309, SN7686-1312, SN7512-1315, & SN7462-1322)**

Ref. No.	Part No.	Description	Quantity			
			1309	1312	1315	1322
1	018453	CLAMP/HOSE	1	1	1	1
2	055021	CLAMP/HOSE	4	4	4	4
3	056080	QUICK-DISCONNECT (MALE)	4	4	4	4
4	068938	ELBOW/HYD FITTING 90 DEG	2	2	4	2
5	071701	LN 5/16	3	3	3	3
6	071703	LN 3/8	5	5	5	5
7	074091	TIE/NYLON	4	4	4	4
8	076099	COTTER/HAIR PIN	2	2	2	4
9	076513	PIN/CLEVIS	4	4	4	4
10	079098	PLATE/TWIN COVER	3	3	3	3
11	080629	PIN/GATE CYLINDER	1	1	1	2
12	087107	UNION/HYD FITTING	2	2	2	2
13	088904	CLAMP/TUBE	3	3	3	3
14	097304	HOSE/ASSY	2	2	2	2
15	097305	HOSE/ASSY	2	2	2	2
16	110036 _a	CYLINDER/HYDRAULIC 1-1/2 X 6	1	1	-	-
	110450 _a	CYLINDER/HYDRAULIC 2 X 8	-	-	1	1
17	110037	HOSE/ASSY	1	1	1	1
18	110038	HOSE/ASSY	1	1	1	1
19	110039 _a	CYLINDER/HYDRAULIC 2 X 6	1	1	-	-
	110450 _a	CYLINDER/HYDRAULIC 2 X 8	-	-	1	1
20	118757	GROMMET	1	1	1	1
21	119257	ELBOW/JIC	2	2	2	2
22	119258	TEE/JIC	2	2	2	2
23	119692	TUBE	4	-	-	-
	119693	TUBE	-	4	-	-
	119694	TUBE	-	-	4	4
24	120346 _a	CYLINDER/HYD 2 X 16	1	1	1	-
	120362 _a	CYLINDER/HYD 2 X 16	-	-	-	1
25	110038	HOSE/ASSY	1	1	-	1
	120733	HOSE/ASSY	-	-	1	-
26	110037	HOSE/ASSY	1	1	-	1
	120733	HOSE/ASSY	-	-	1	-
27	650692	CS 5/16X1-3/4	3	3	3	3
28	654006	FW 3/8	1	1	1	1
29	655046	CP 5/32X1-3/4	4	4	4	4

a) See Component Breakdowns page titled Hydraulic Cylinders.

1309/1312/1315/1322 - GUARDS & SHIELDS



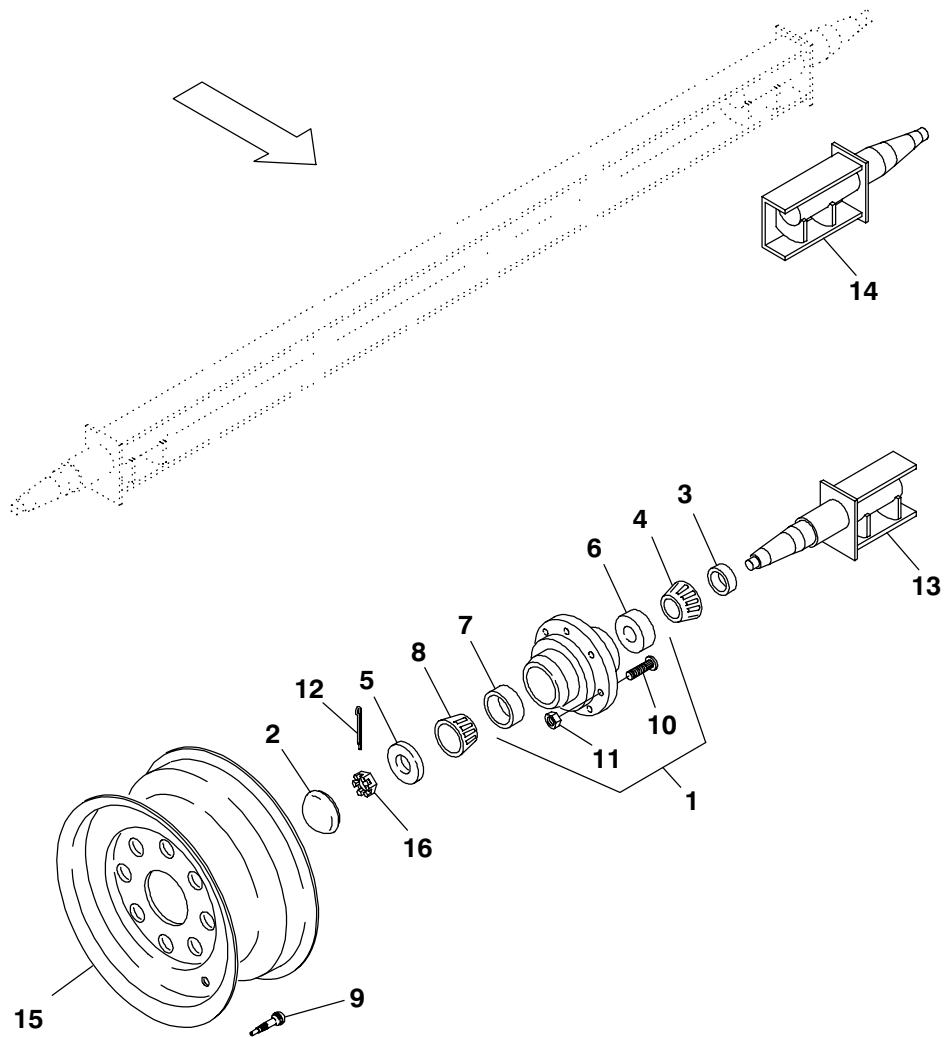
1309/1312/1315/1322 - GUARDS & SHIELDS

Ref. No.	Part No.	Description	Quantity			
			1309	1312	1315	1322
1	054586	LATCH	4	4	4	4
2	057864	PIN/GUARD HINGE	2	2	2	2
3	058615	CLAMP/HOSE	1	1	1	1
4	059272	HOLDER/SHEAR BOLT	2	2	2	2
5	071401	NILN 1/4	8	8	8	8
6	071700	LN 1/4	4	4	4	4
	071701	LN 5/16	4	4	4	4
7	071703	LN 3/8	1	1	1	1
8	080079	PACKAGE/8 SHEAR BOLTS GR8 (4 HELD IN BOLT HOLDER)	4	4	4	4
	081655	PACKAGE/8 SHEAR BOLTS (4 HELD IN BOLT HOLDER)	4	4	4	4
9	080633	ROD/HINGE ASSY	1	1	1	1
10	081380	FLS 5/16X3/4	-	-	14	14
11	110009	PIN/GUARD HINGE	1	1	1	-
	111342	PIN/GUARD HINGE	-	-	-	1
12	141799 _a	SHIELD/ASSY	1	1	1	-
	141800 _a	SHIELD/ASSY	-	-	-	1
13	141801 _b	COVER/SHIELD ASSY	1	1	1	-
	141802 _b	COVER/SHIELD ASSY	-	-	-	1
14	110010	GUARD/EXPELLER DR ASSY	1	1	1	1
15	110031	ROD/GUARD SUPPORT	1	1	1	-
	094253	ROD/GUARD SUPPORT	-	-	-	1
16	110032	SUPPORT/HYD HOSE	1	1	1	1
17	116786	BRACKET/PIVOT	1	1	1	1
18	120618	ROD/PTO SUPPORT	1	1	1	1
19	126339	SHIELD/DRIVELINE	1	1	1	1
20	126342	FLAP	1	1	1	1
21	650491	CS 3/8X1-1/4	1	1	1	1
22	650943	THMS 1/4X1/2	8	8	8	8
23	653010	HN 3/8	1	1	1	1
24	653018	HN 1/2	8	8	8	8
25	654006	FW 3/8	1	1	1	1
26	654009	FW 1/2	8	8	8	8
27	654026	LW 3/8	1	1	1	1
28	070648	LG FLN 5/16	14	14	14	14
29	220-10238	PIN	1	1	1	1

a) Includes 093457 Decal.

**b) Includes 093366, 093367, 093373, 093466 (540 RPM WARNING Decal), 093653 & 120399 Decals.
Order 093465 (1000 RPM WARNING Decal) also for 1000 RPM MS1322 unit.**

1309 - SINGLE AXLES



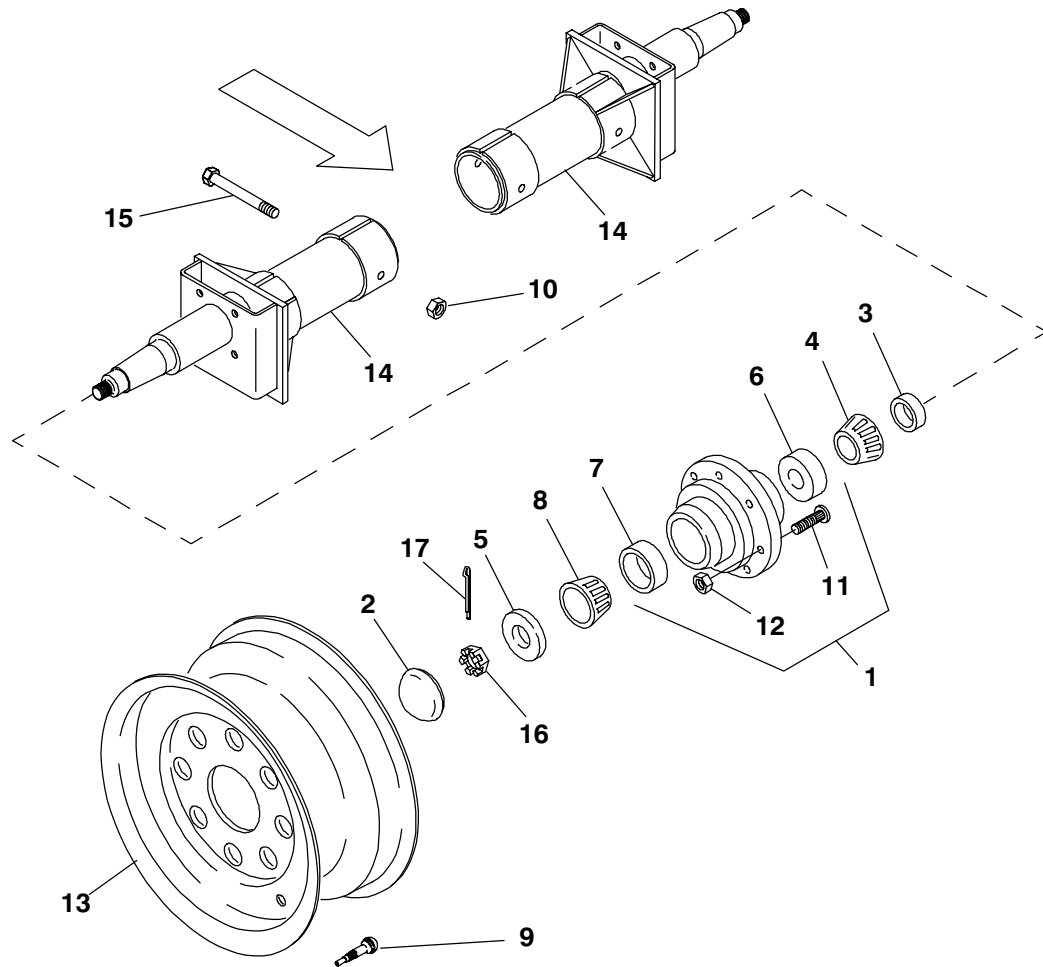
Ref. No.	Part No.	Description	Quantity			
			1309	1312	1315	1322
1	003937	HUB/ASSY	2	-	-	-
2	003938	CAP/HUB	2	-	-	-
3	003939	SEAL/OIL	2	-	-	-
4	003940	CONE/BEARING (INNER)	2	-	-	-
5	003943	WASHER	2	-	-	-
6	004375	CUP/BEARING INNER	2	-	-	-
7	042162	CUP/WHEEL BEARING	2	-	-	-
8	042163	CONE/WHEEL BEARING	2	-	-	-
9	045581	VALVE/TIRE	2	-	-	-
10	078657	BOLT/WHEEL	16	-	-	-
11	079152	NUT/WHEEL	16	-	-	-
12	655024	CP 3/16X2	2	-	-	-
13	124506	SPINDLE/ASSY RT REPAIR	1	-	-	-
14	124507	SPINDLE/ASSY LT REPAIR	1	-	-	-
15	112443 _a	WHEEL W11C-16.1	2	-	-	-
	112444 _b	WHEEL/RIM W8B-20	2	-	-	-
	141265 _c	WHEEL/ASSY 11.25X22.5	2	-	-	-
	141814 _d	WHEEL/ASSY 8.25 X 22.5	2	-	-	-
16	650933	HN SLOTTED 1 NF	2	-	-	-

a) Used with 16.5L x 16.1 8-ply Tires.

b) Used with 9.00 x 20 or 10.00 x 20 12-ply recapped truck Tires with ribbed implement tread.

c) Used with 15 x 22.5 or 385 65R 22.5 Tires.

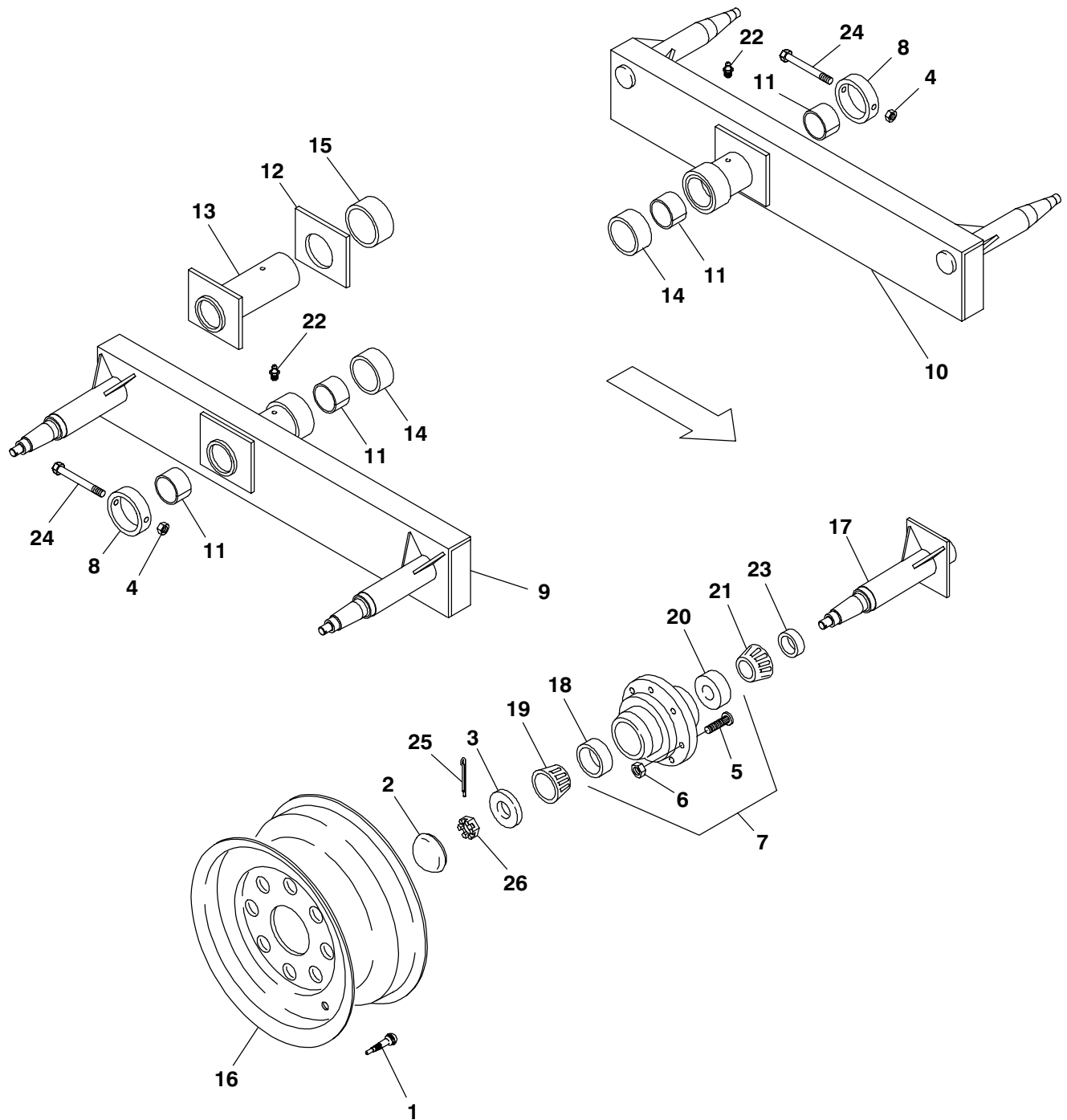
d) Used with 11 x 22.5 or 295 75R 22.5 Tires.



Ref. No.	Part No.	Description	Quantity			
			1309	1312	1315	1322
1	003937	HUB/ASSY	-	2	-	-
2	003938	CAP/HUB	-	2	-	-
3	003939	SEAL/OIL	-	2	-	-
4	003940	CONE/BEARING (INNER)	-	2	-	-
5	003943	WASHER	-	2	-	-
6	004375	CUP/BEARING INNER	-	2	-	-
7	042162	CUP/WHEEL BEARING	-	2	-	-
8	042163	CONE/WHEEL BEARING	-	2	-	-
9	045581	VALVE/TIRE	-	2	-	-
10	068034	NILN 1/2	-	4	-	-
11	078657	BOLT/WHEEL	-	16	-	-
12	079152	NUT/WHEEL	-	16	-	-
13	158123 _a	WHEEL W14C-16.1	-	2	-	-
	112444 _b	WHEEL/RIM W8B-20	-	2	-	-
	112445 _c	WHEEL W14CX16.1	-	2	-	-
	141265 _d	WHEEL/ASSY 11.25X22.5	-	2	-	-
	141814 _e	WHEEL/ASSY 8.25 X 22.5	-	2	-	-
14	118741	SPINDLE/ASSY	-	2	-	-
15	650498	CS 1/2X6	-	4	-	-
16	650933	HN SLOTTED 1 NF	-	2	-	-
17	655024	CP 3/16X2	-	2	-	-

- a) Used with 16.5L x 16.1 10-ply Tires.
- b) Used with 10.00 x 20 12-ply recapped Tires with ribbed implement tread.
- c) Used with 19L x 16.1 10-ply Tires.
- d) Used with 15 x 22.5 or 385 65R 22.5 Tires.
- e) Used with 11 x 22.5 or 295 75R 22.5 Tires.

1312 - TANDEM AXLES



1312 - TANDEM AXLES

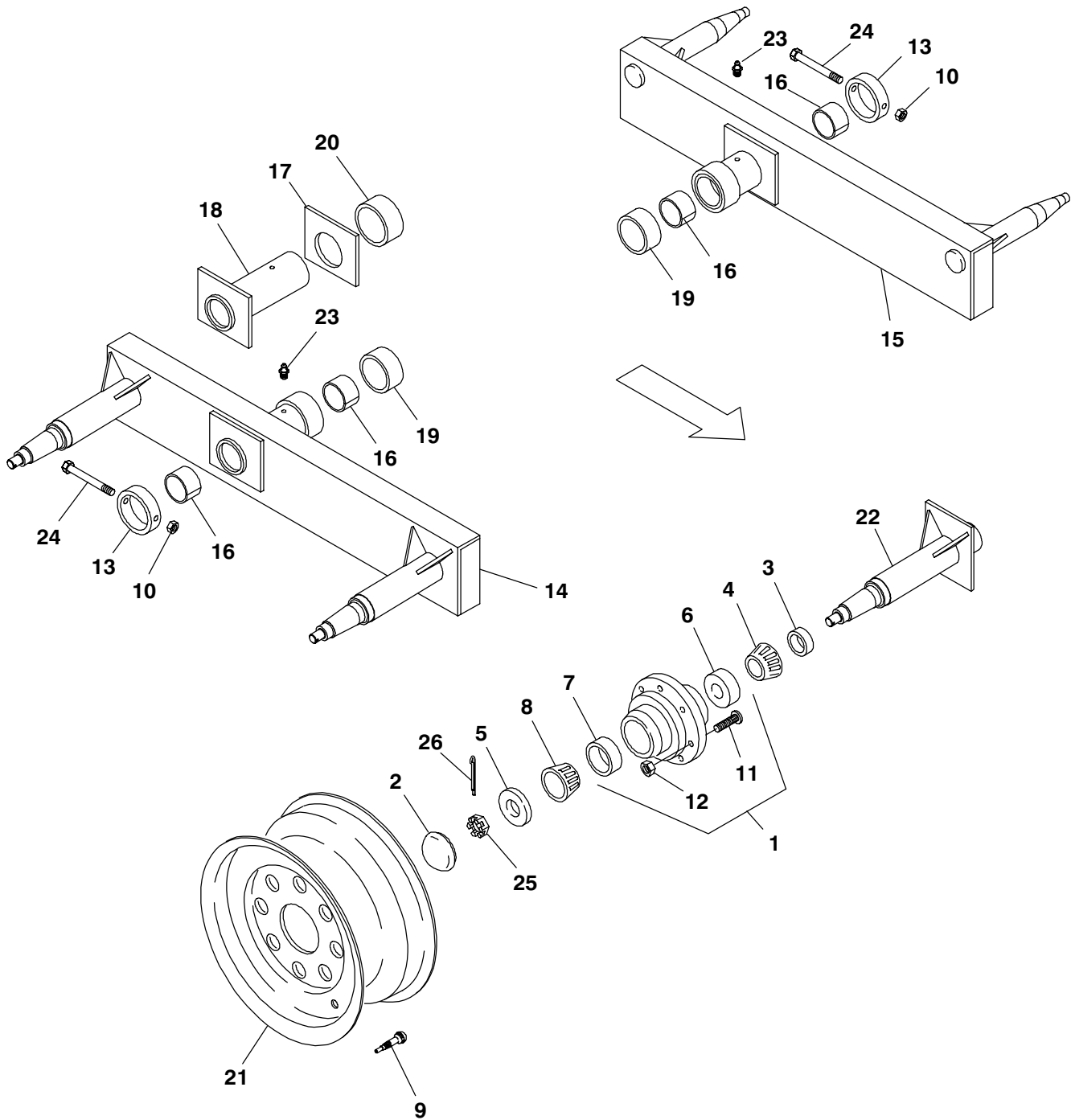
Ref. No.	Part No.	Description	Quantity			
			1309	1312	1315	1322
1	045581	VALVE/TIRE	-	2	-	-
2	058421	CAP/GREASE	-	4	-	-
3	066717	FW 31/32 HT SPECIAL	-	4	-	-
4	071706	LN 1/2	-	2	-	-
5	078657	BOLT/WHEEL	-	32	-	-
6	079152	NUT/WHEEL	-	32	-	-
7	083100	HUB/ASSY 4500#	-	4	-	-
8	088485	COLLAR/TANDEM	-	2	-	-
9	094477	AXLE/TANDEM ASSY RT	-	1	-	-
10	094478	AXLE/TANDEM ASSY LT	-	1	-	-
11	094275	BEARING/FIBER-GLIDE	-	4	-	-
12	094288	PLATE/SUPPORT (WELDED IN)	-	2	-	-
13	094328	PIVOT/ASSY (WELDED IN)	-	2	-	-
14	097326	SPACER/TANDEM AXLE	-	2	-	-
15	098400	SUPPORT/SLEEVE (WELDED IN)	-	2	-	-
16	112443 _a	WHEEL W11C-16.1	-	4	-	-
	112444 _b	WHEEL/RIM W8B-20	-	4	-	-
	141814 _c	WHEEL/ASSY 8.25X22.5	-	4	-	-
17	142319	SPINDLE/REPAIR WELDMENT (WELDED IN)	-	4	-	-
18	520054	CUP/BEARING	-	4	-	-
19	520201	CONE/BEARING	-	4	-	-
20	520213	CUP/BEARING	-	4	-	-
21	520214	CONE/BEARING	-	4	-	-
22	570002	FITTING/GREASE	-	2	-	-
23	604328	SEAL/GREASE	-	4	-	-
24	650497	CS 1/2X5-1/2	-	2	-	-
25	655020	CP 3/16X1-1/2	-	4	-	-
26	653102	HN SLOTTED 7/8 NF	-	4	-	-

a) Used with 16.5L x 16.1 8-ply Tires.

b) Used with 10.00 x 20 12-ply recapped Tires with ribbed implement tread.

c) Used with 11 x 22.5 or 295 75R 22.5 Tires.

1315 - TANDEM AXLES



1315 - TANDEM AXLES

Ref. No.	Part No.	Description	Quantity			
			1309	1312	1315	1322
1	003937	HUB/ASSY	-	-	4	-
2	003938	CAP/HUB	-	-	4	-
3	003939	SEAL/OIL	-	-	4	-
4	003940	CONE/BEARING (INNER)	-	-	4	-
5	003943	WASHER	-	-	4	-
6	004375	CUP/BEARING INNER	-	-	4	-
7	042162	CUP/WHEEL BEARING	-	-	4	-
8	042163	CONE/WHEEL BEARING	-	-	4	-
9	045581	VALVE/TIRE	-	-	2	-
10	071706	LN 1/2	-	-	2	-
11	078657	BOLT/WHEEL	-	-	32	-
12	079152	NUT/WHEEL	-	-	32	-
13	088485	COLLAR/TANDEM	-	-	2	-
14	094286	AXLE/TANDEM ASSY RT	-	-	1	-
15	094287	AXLE/TANDEM ASSY LT	-	-	1	-
16	094275	BEARING/FIBER-GLIDE	-	-	4	-
17	094288	PLATE/SUPPORT (WELDED IN)	-	-	2	-
18	094328	PIVOT/ASSY (WELDED IN)	-	-	2	-
19	097326	SPACER/TANDEM AXLE	-	-	2	-
20	098400	SUPPORT/SLEEVE (WELDED IN)	-	-	2	-
21	112443 _a	WHEEL W11C-16.1	-	-	4	-
	112444 _b	WHEEL/RIM W8B-20	-	-	4	-
	141814 _c	WHEEL/ASSY 8.25X22.5	-	-	4	-
22	142320	SPINDLE/REPAIR WELDMENT (WELDED IN)	-	-	4	-
23	570002	FITTING/GREASE	-	-	2	-
24	650497	CS 1/2X5-1/2	-	-	2	-
25	650933	HN SLOTTED 1 NF	-	-	4	-
26	655024	CP 3/16X2	-	-	4	-

a) Used with 16.5L x 16.1 8-ply Tires.

b) Used with 10.00 x 20 12-ply recapped Tires with ribbed implement tread.

c) Used with 11 x 22.5 or 295 75R 22.5 Tires.

1322 - TANDEM AXLES

Ref. No.	Part No.	Description	Quantity			
			1309	1312	1315	1322
1	003938	CAP/HUB	-	-	-	4
2	003943	WASHER	-	-	-	4
3	042162	CUP/WHEEL BEARING	-	-	-	4
4	042163	CONE/WHEEL BEARING	-	-	-	4
5	045581	VALVE/TIRE	-	-	-	4
6	071706	LN 1/2	-	-	-	8
7	079152	NUT/WHEEL	-	-	-	32
8	083106	HUB/WHEEL ASSY	-	-	-	4
9	083107	BOLT/WHEEL	-	-	-	32
10	083108	BEARING/CONE	-	-	-	4
11	083109	SEAL/GREASE	-	-	-	4
12	142321	SPINDLE/REPAIR WELDMENT	-	-	-	4
13	094843 _a	WHEEL/16.1 X W18C	-	-	-	4
	158123 _b	WHEEL W14C-16.1	-	-	-	4
	112445 _c	WHEEL/RIM W14CX16.1	-	-	-	4
	141265 _d	WHEEL/ASSY 11.25X22.5	-	-	-	4
14	120401	AXLE/TANDEM ASSY RIGHT	-	-	-	1
15	120402	TANDEM/ASSY LEFT	-	-	-	1
16	120575	BUSHING/NYLON	-	-	-	2
17	120576 _e	WASHER/RETAINER	-	-	-	AR
18	120577	TUBE/RETAINER	-	-	-	2
19	520013	CUP/BEARING	-	-	-	4
20	570002	FITTING/GREASE	-	-	-	2
21	650933	HN SLOTTED 1 NF	-	-	-	4
22	651277	CS 1/2X1-1/2 GR8	-	-	-	8
23	655024	CP 3/16X2	-	-	-	4

a) Used with 21.5 x 16.1 10-ply Tires.

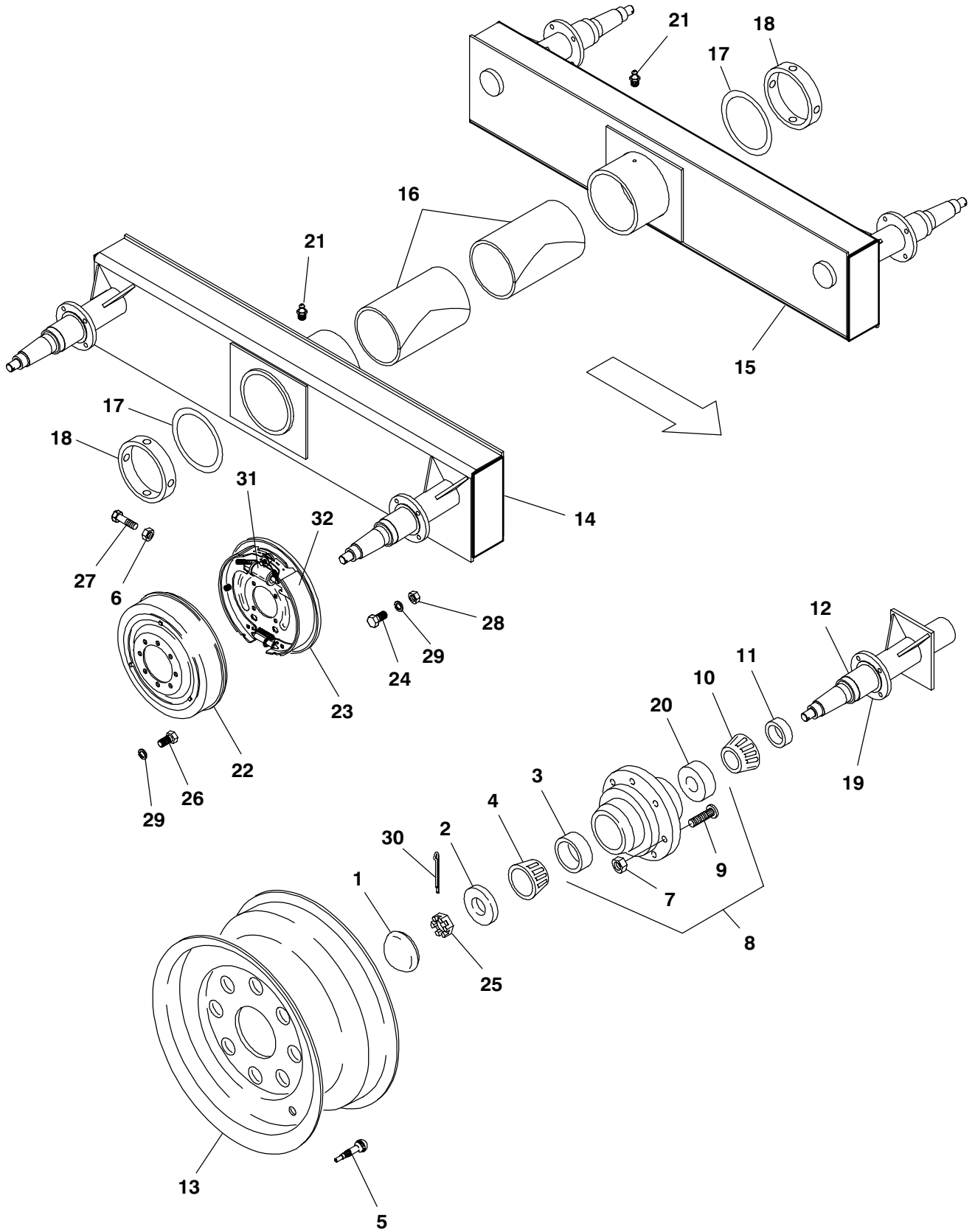
b) Used with 16.5L x 16.1 8-ply Tires.

c) Used with 19L x 16.1 10-ply Tires.

d) Used with 15 x 22.5 or 385 65R 22.5 Tires.

e) As required to eliminate side-play. MINIMUM of ONE required.

1322 - TANDEM AXLES (W/BRAKES)

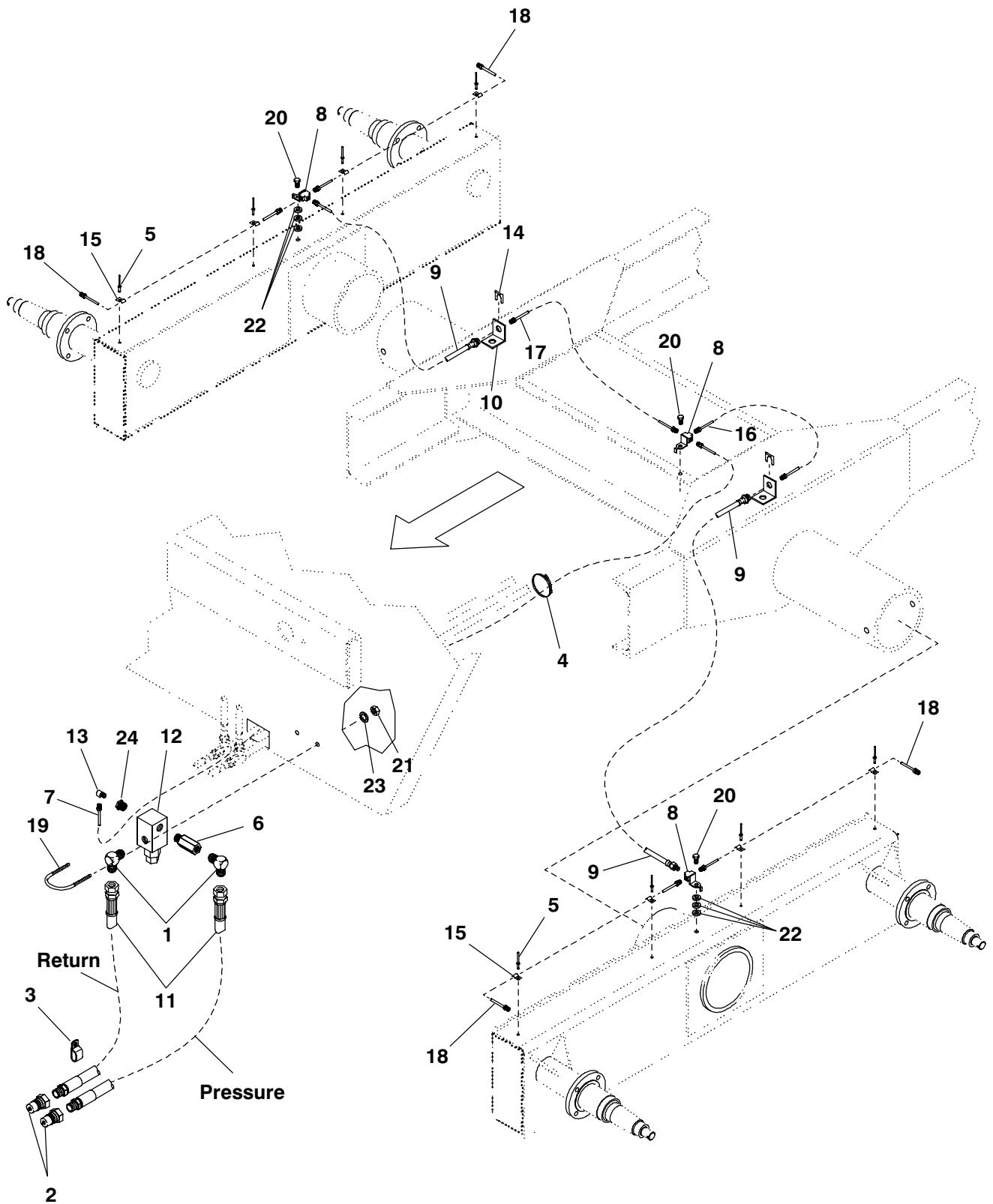


1322 - TANDEM AXLES (W/BRAKES)

Ref. No.	Part No.	Description	Quantity			
			1309	1312	1315	1322
1	003938	CAP/HUB	-	-	-	4
2	003943	WASHER	-	-	-	4
3	042162	CUP/WHEEL BEARING	-	-	-	4
4	042163	CONE/WHEEL BEARING	-	-	-	4
5	045581	VALVE/TIRE	-	-	-	4
6	071706	LN 1/2	-	-	-	8
7	079152	NUT/WHEEL	-	-	-	32
8	083106	HUB/WHEEL ASSY	-	-	-	4
9	083107	BOLT/WHEEL	-	-	-	32
10	083108	BEARING/CONE	-	-	-	4
11	083109	SEAL/GREASE	-	-	-	4
12	142779	SPINDLE/REPAIR WELDMENT (WELDED IN)	-	-	-	4
13	158123	WHEEL W14C-16.1 (USED WITH 16.5L X 16.1 10-PLY TIRES)	-	-	-	4
	112445	WHEEL/RIM W14CX16.1 (USED WITH 19L X 16.1 10-PLY TIRES)	-	-	-	4
14	093895	AXLE/TANDEM ASSY RIGHT	-	-	-	1
15	093896	TANDEM/ASSY LEFT	-	-	-	1
16	120575	BUSHING/NYLON	-	-	-	2
17	120576 _a	WASHER/RETAINER	-	-	-	AR
18	120577	TUBE/RETAINER	-	-	-	2
19	141274	FLANGE/BRAKE	-	-	-	4
20	520013	CUP/BEARING	-	-	-	4
21	570002	FITTING/GREASE	-	-	-	2
22	606113	BRAKE DRUM	-	-	-	4
23	606127	BRAKE/ASSY RH (INCL 31 & 32)	-	-	-	2
	606128	BRAKE/ASSY LH (INCL 31 & 32) (NOT SHOWN)	-	-	-	2
24	650858	CS 1/2X1-1/2 NF	-	-	-	16
25	650933	HN SLOTTED 1 NF	-	-	-	4
26	651011	CS 1/2X1 NF	-	-	-	32
27	651277	CS 1/2X1-1/2 GR8	-	-	-	8
28	653019	HN 1/2 NF	-	-	-	16
29	654030	LW 1/2	-	-	-	48
30	655024	CP 3/16X2	-	-	-	4
31	112208	KIT/CYLINDER REPAIR	-	-	-	4
32	113247	SHOE/BRAKE ASSY	-	-	-	4

a) As required to eliminate side-play. MINIMUM of ONE required.

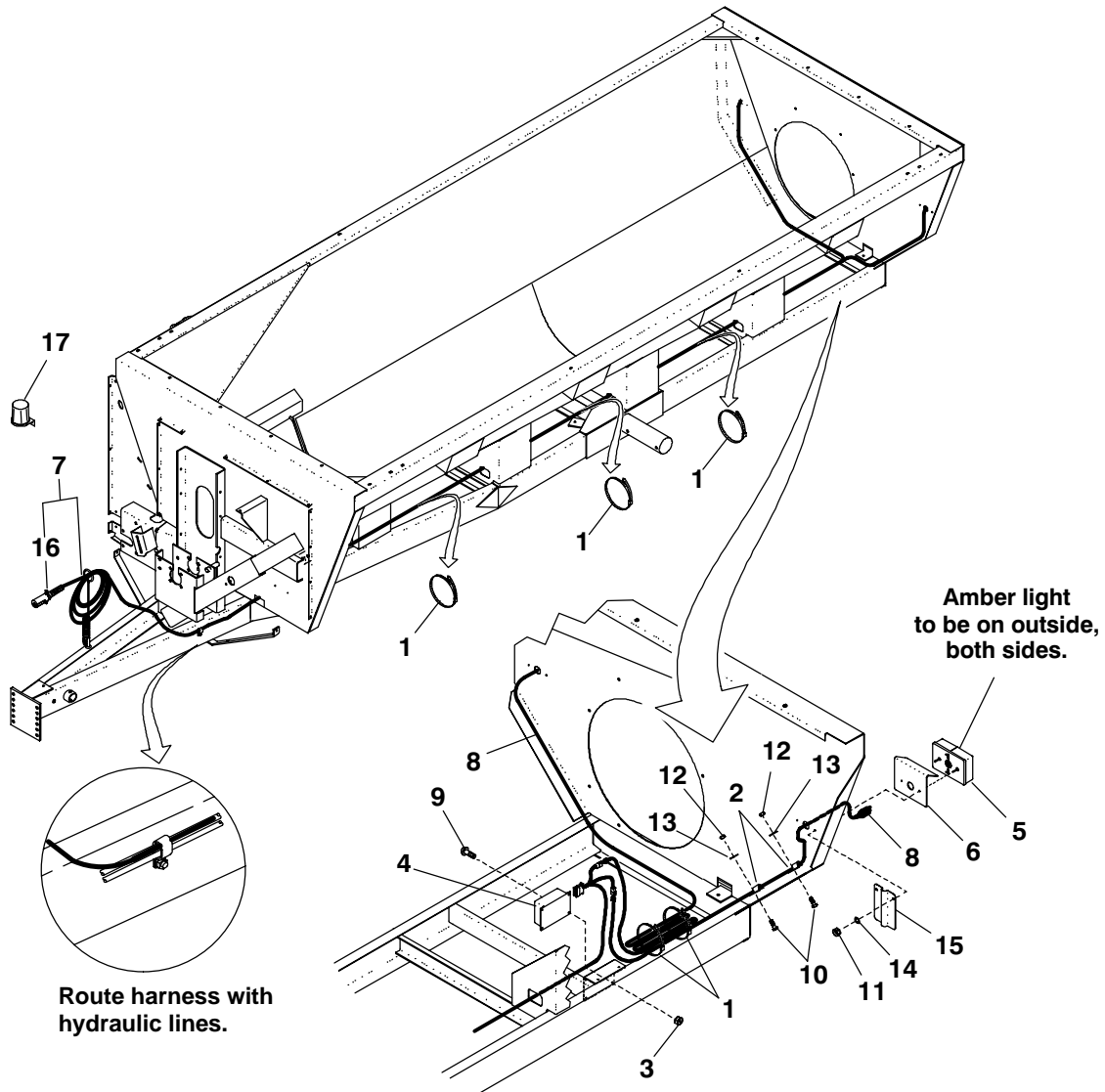
1322 - TANDEM AXLES (BRAKE HYDRAULICS)



1322 - TANDEM AXLES (BRAKE HYDRAULICS)

Ref. No.	Part No.	Description	Quantity			
			1309	1312	1315	1322
1	054997	ELBOW/HYD FITTING 90 DEG	-	-	-	2
2	056080	QUICK-DISCONNECT (MALE)	-	-	-	2
3	067880	CLAMP/HOSE	-	-	-	1
4	074091	TIE/NYLON	-	-	-	4
5	075274	RIVET/BLIND	-	-	-	8
6	098369	VALVE/HYDRAULIC	-	-	-	1
7	115415	TUBE/BRAKE LINE ASSY (125")	-	-	-	1
8	115416	BRAKE LINE TEE	-	-	-	3
9	115418	HOSE/BRAKE	-	-	-	2
10	115504	HOLDER/HOSE	-	-	-	2
11	142837	HOSE/ASSY	-	-	-	2
12	142943	VALVE/RELIEF 1100 PSI	-	-	-	1
13	606119	ELBOW/HYD FITTING 90 DEG	-	-	-	1
14	606124	CLIP/BRAKE HOSE	-	-	-	2
15	606130	CLAMP/BRAKE LINE	-	-	-	8
16	606170	TUBE/BRAKE LINE ASSY (12")	-	-	-	1
17	606173	TUBE/BRAKE LINE ASSY (36")	-	-	-	1
18	607181	TUBE 41"/BRAKE LINE	-	-	-	4
19	607185	U-CLAMP	-	-	-	1
20	650985	5/16 X 3/4 THREAD CUTTING SCREW	-	-	-	3
21	653007	HN 5/16	-	-	-	2
22	654004	FW 5/16	-	-	-	6
23	654024	LW 5/16	-	-	-	2
24	660044	BUSHING/HEX REDUCING 1/2 TO 1/8	-	-	-	1

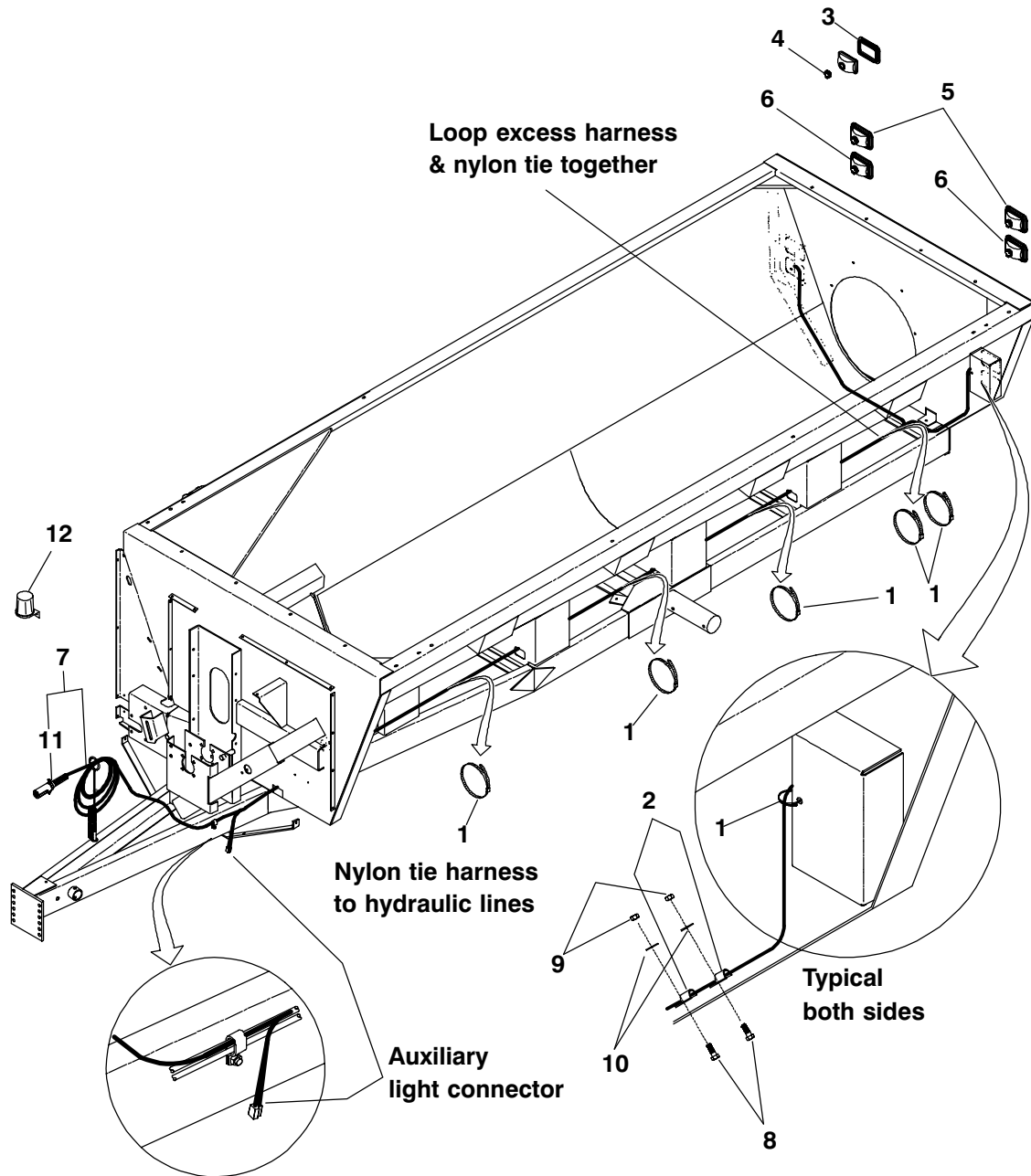
1309/1312/1315/1322 - TRANSPORT LIGHTS
(AFTER SN6443-1309, SN7942-1312, SN7964-1315, & SN7725-1322)



Ref. No.	Part No.	Description	Quantity			
			1309	1312	1315	1322
1	055648	TIE/WIRE	7	7	7	7
2	074257	CLIP/CUSHIONED HALF	4	4	4	4
3	084175	HLN INST #10-24	4	4	4	4
4	156836	MODULE/LIGHT	1	1	1	1
5	157123 _a	LIGHT	2	2	2	2
6	157711	SHIELD/LIGHT	2	2	2	2
7	159696	HARNESS/LIGHT	1	1	1	1
8	159697	HARNESS/LAMP	2	2	2	2
9	650815	RHMS SLT #10-24	4	4	4	4
10	650943	THMS SLTD 1/4X1/2	4	4	4	4
11	651456	HLN INS M5	4	4	4	4
12	653005	HN 1/4	4	4	4	4
13	654022	LW 1/4	4	4	4	4
14	650584	FW #10	4	4	4	4
15	170938	COVER	2	2	2	2
16	112917	PLUG/7-PIN W/CABLE	1	1	1	1
17	112886	HOLDER/PLUG (OPTIONAL, HARDWARE FIELD SUPPLIED)	1	1	1	1

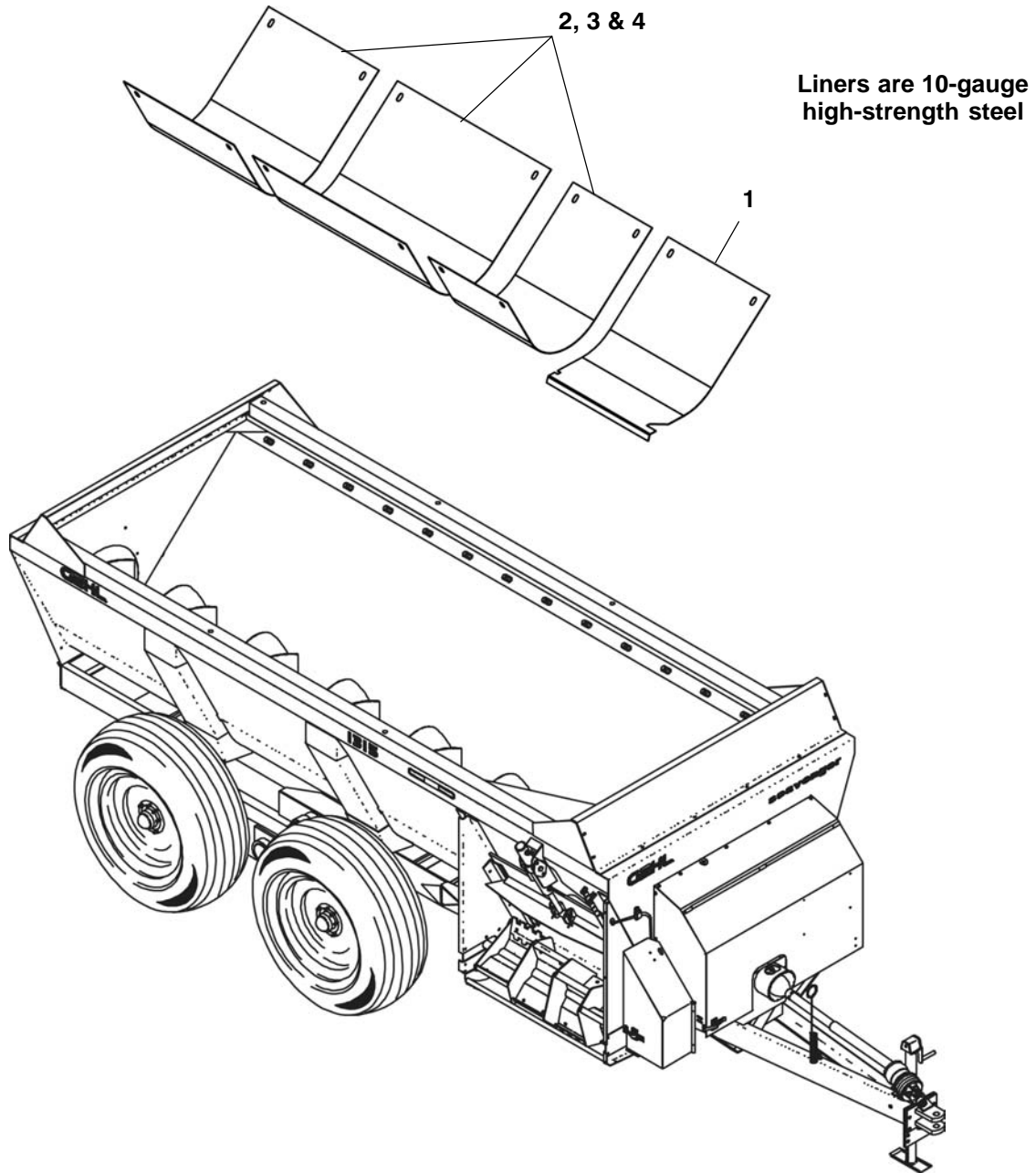
a) Replacement bulbs (Amber 1156 12V, Red 1157 12V). Obtain locally.

**1309/1312/1315/1322 - TRANSPORT LIGHTS
(BEFORE SN6444-1309, SN7943-1312, SN7965-1315, & SN7726-1322)**



Ref. No.	Part No.	Description	Quantity			
			1309	1312	1315	1322
1	074091	TIE/NYLON	7	7	7	7
2	074257	CLIP/CUSHIONED HALF	4	4	4	4
3	119532	BEZEL/WARNING LIGHT	4	4	4	4
4	119533	SOCKET/WARNING LIGHT	4	4	4	4
5	119665	LIGHT ASSY/AMBER	2	2	2	2
6	119666	LIGHT ASSY/RED	2	2	2	2
7	120726	HARNESS/WARNING LIGHTS	1	1	1	1
8	650943	THMS 1/4X1/2	4	4	4	4
9	653005	HN 1/4	4	4	4	4
10	654022	LW 1/4	4	4	4	4
11	112917	PLUG/7-PIN W/CABLE	1	1	1	1
12	112886	HOLDER/PLUG (OPTIONAL, HARDWARE FIELD SUPPLIED)	1	1	1	1

1309/1312/1315/1322 - TANK REPAIR PANELS



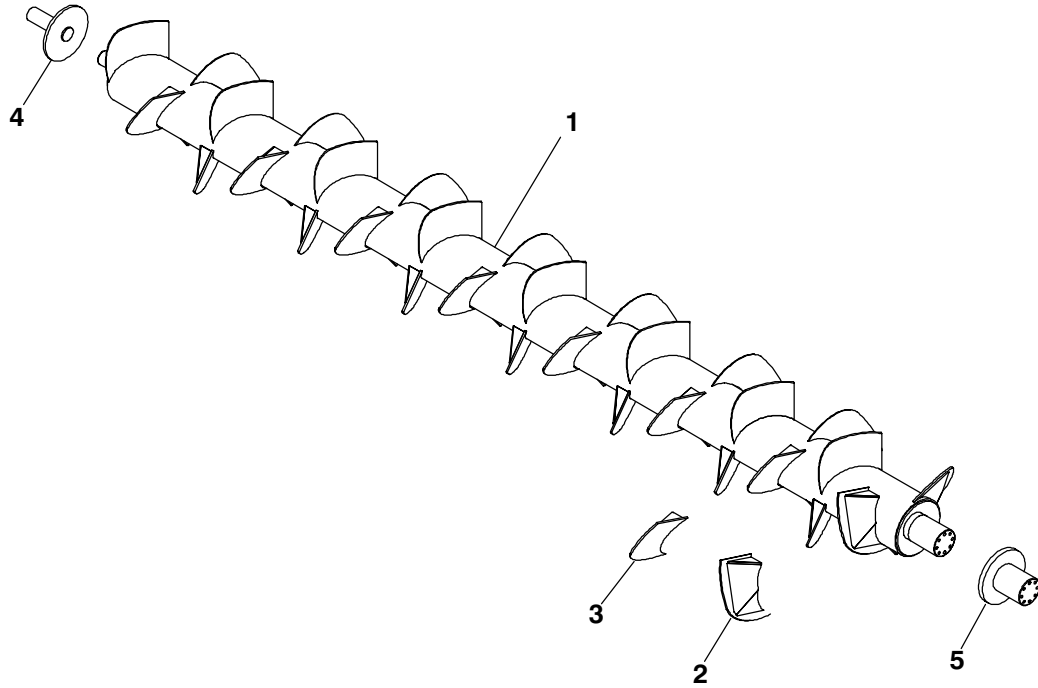
Ref. No.	Part No.	Description	Quantity			
			1309	1312	1315	1322
1 _a	171860	LINER/FRONT (32.75")	1	1	-	-
	171854	LINER/FRONT (42.5")	-	-	1	1
2 _b	171859	LINER/TROUGH (25.6")	1	-	-	-
	171861	LINER/TROUGH (35.6")	-	1	-	-
	170522	LINER/TROUGH (49.6")	-	-	1	1
3 _b	171861	LINER/TROUGH (35.6")	1	-	-	-
	170522	LINER/TROUGH (49.6")	-	1	1	1
4 _b	170522	LINER/TROUGH (49.6")	1	1	1	1

a) Panel 1 is adjacent to discharge.

b) Remaining panels have no specific order.

1309/1312/1315/1322 - COMPONENT BREAKDOWNS

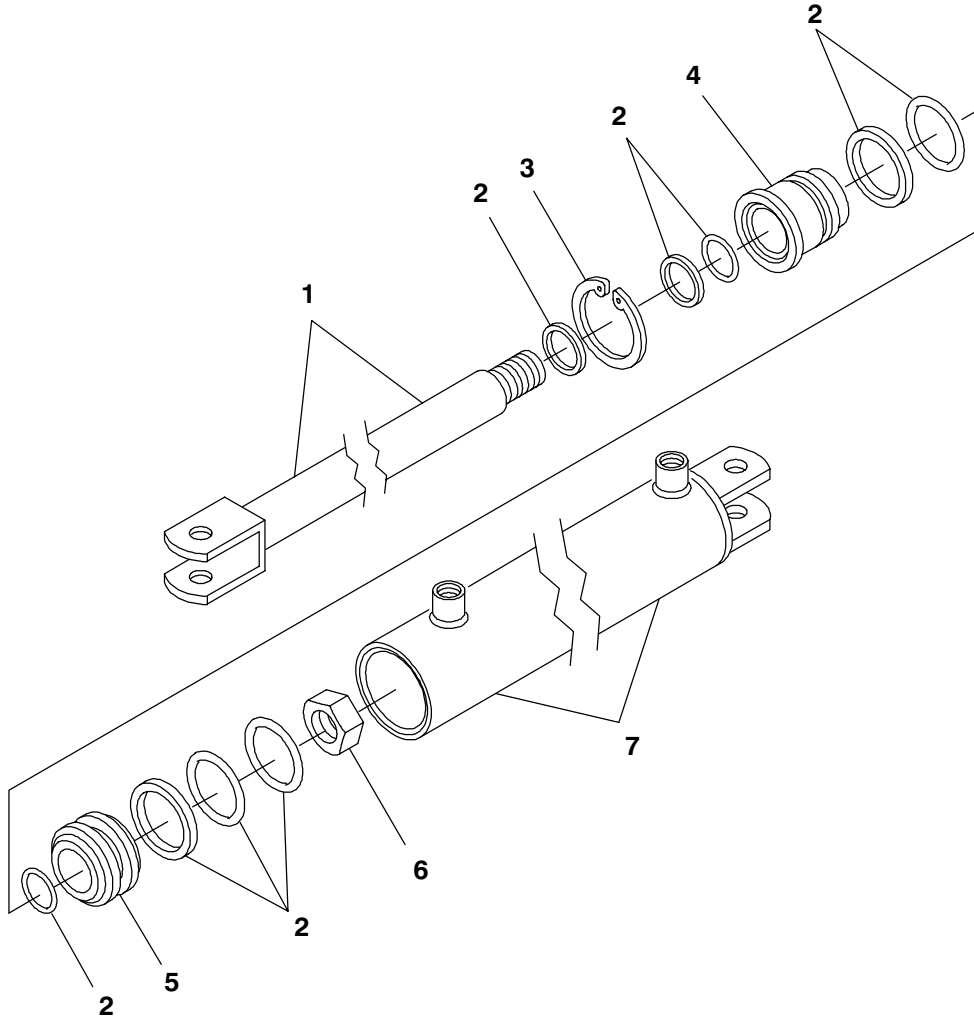
Augers



Ref. No.	Part No.	Description	Quantity			
			1309	1312	1315	1322
1	120950	AUGER/ASSY	1	-	-	-
	120951	AUGER/ASSY	-	1	-	-
	120358	AUGER/ASSY	-	-	1	1
2	094144	PADDLE/FRONT REPAIR (WELD IN)	2	2	2	2
3	094145	PADDLE/REAR REPAIR (WELD IN)	27	32	37	37
4	094451	SHAFT/ASSY IDLE (WELD IN)	1	1	1	1
5	094452	SHAFT/ASSY DRIVE (WELD IN)	1	1	1	1

1309/1312/1315/1322 - COMPONENT BREAKDOWNS

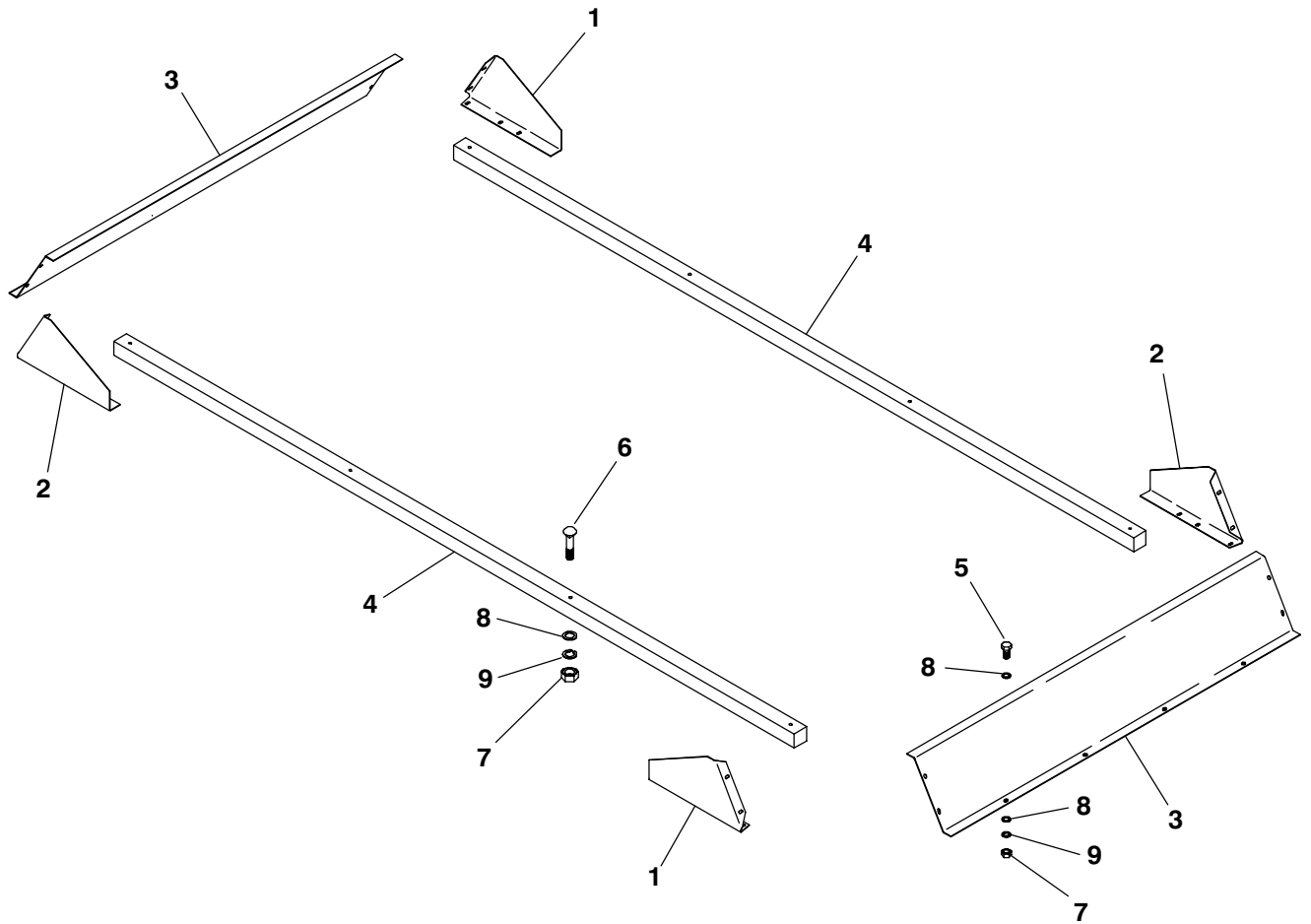
Hydraulic Cylinders



Ref. No.	Part No.	Description	Quantity					
			095146 (2x18)	110036 (1.5x6)	110039 (2x6)	110450 (2x8)	120346 (2x16)	120362 (2x16)
1	089682	SHAFT/HYD CYL	-	1	1	-	-	-
2	089680	KIT/SEAL	-	1	-	-	-	-
	089686	KIT/SEAL	-	-	1	1	-	-
	089693	KIT/SEAL	1	-	-	-	-	-
	129829	KIT/SEAL	-	-	-	-	1	1
	3	089676	RING/SNAP	-	1	-	-	-
4	089683	RING/SNAP	-	-	1	1	-	-
	089689	RING/SNAP	1	-	-	-	1	1
	089678	HEAD/HYD CYL	-	1	-	-	-	-
5	089685	HEAD/HYD CYL	-	-	1	1	-	-
	128372	HEAD/HYD CYL	1	-	-	-	-	-
	129831	HEAD/HYD CYL	-	-	-	-	1	1
	089677	PISTON/HYD CYL	-	1	-	-	-	-
	089684	PISTON/HYD CYL	-	-	1	1	-	-
6	089690	PISTON/HYD CYL	1	-	-	-	-	-
	129834	PISTON/HYD CYL	-	-	-	-	1	1
	089679	NUT/HYD CYL	-	1	1	1	-	-
7	073788	NUT/LOCK	1	-	-	-	1	1
	089681	BARREL/HYD CYL ASSY	-	-	1	-	-	-
	094290	BARREL/HYD CYLINDER	-	-	-	-	-	1

1309/1312/1315/1322 - COMPONENT BREAKDOWNS

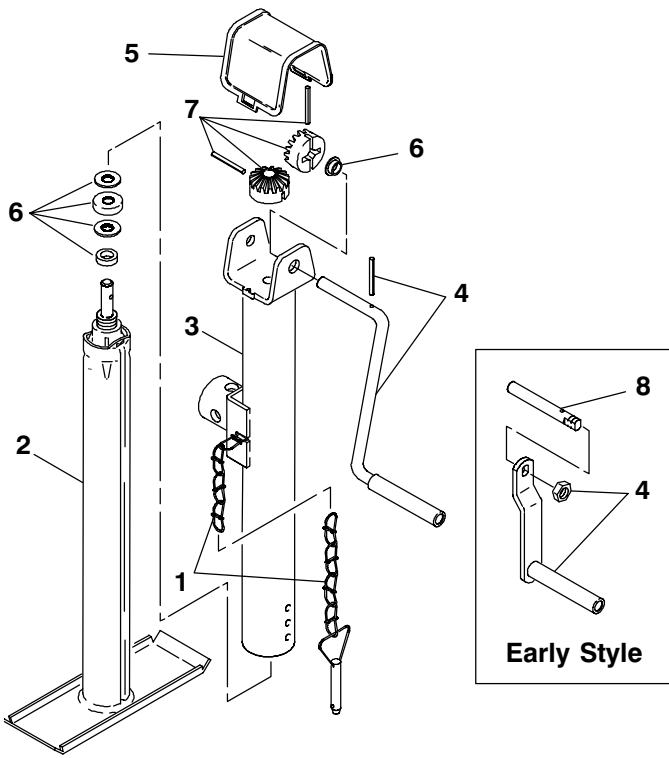
Splash Guards & Rails



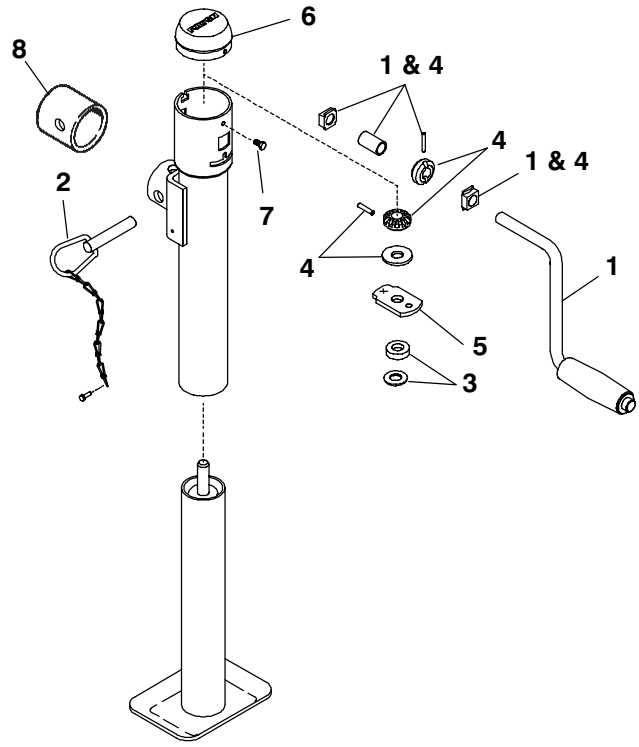
Ref. No.	Part No.	Description	Quantity			
			1309	1312	1315	1322
1	099979	SHIELD/RIGHT	4	4	4	4
2	099980	SHIELD/LEFT	4	4	4	4
3	111345	SHIELD	2	-	-	-
	110042	SHIELD	-	2	-	-
	110052	SHIELD	-	-	2	-
	111346	SHIELD	-	-	-	2
4	112118	RAIL/WOOD	2	-	-	-
	112133	RAIL/WOOD	-	2	-	-
	112137	RAIL/WOOD	-	-	2	2
5	650490	CS 3/8X1	24	24	48	24
6	650540	CB 3/8X3-1/2	8	8	8	8
7	653010	HN 3/8	32	32	48	32
8	654006	FW 3/8	32	32	48	32
9	654026	LW 3/8	32	32	48	32

1309/1312/1315 - COMPONENT BREAKDOWNS

088841 & 143470 Hitchjacks
Capacity - 5000 lbs.
Travel - 15 inches



WESBAR



FULTON

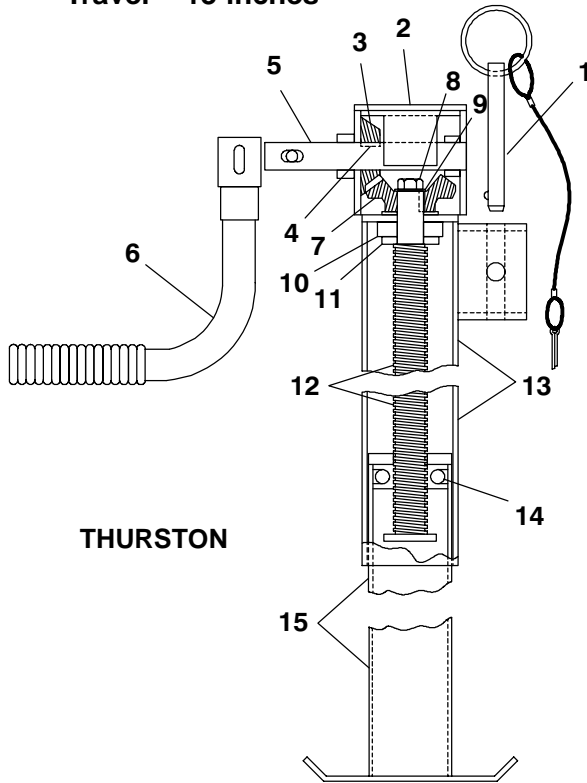
Ref. No.	Part No.	Description	Qty. Req.
	088841 _a	HITCHJACK - WESBAR	1
		CONSISTS OF:	
1	061276	PIN & CHAIN	1
2	081462	TUBE/INNER ASSY	1
3	092021	TUBE/OUTER	1
4	126735	HANDLE (LATER STYLE)	1
	081463 _b	HANDLE & NUT (EARLY STYLE)	1
5	077838	CAP/TOP	1
6	094283	KIT/INTERNAL PARTS	1
7	077836	KIT/GEAR	1
8	077839 _b	SHAFT/CROSS	1

a) Replaced by 143470.

b) Replaced by 126735 later style handle.

Ref. No.	Part No.	Description	Qty. Req.
	143470	HITCHJACK - FULTON	1
		CONSISTS OF:	
1	143597	KIT/JACK HANDLE	1
2	143601	KIT/PIN & CHAIN	1
3	143610	KIT/BEARING	1
4	143602	KIT/GEAR	1
5	143600	SUPPORT/PLATE	1
6	143598	CAP/TUBE	1
7	113026	TFS #8-32X3/8	2
8	059743	BRACKET/JACK MOUNT	1
	081954	BRACKET/JACK MOUNT (1322)	1

082027 Hitchjack
Capacity - 8000 lbs.
Travel - 13 inches

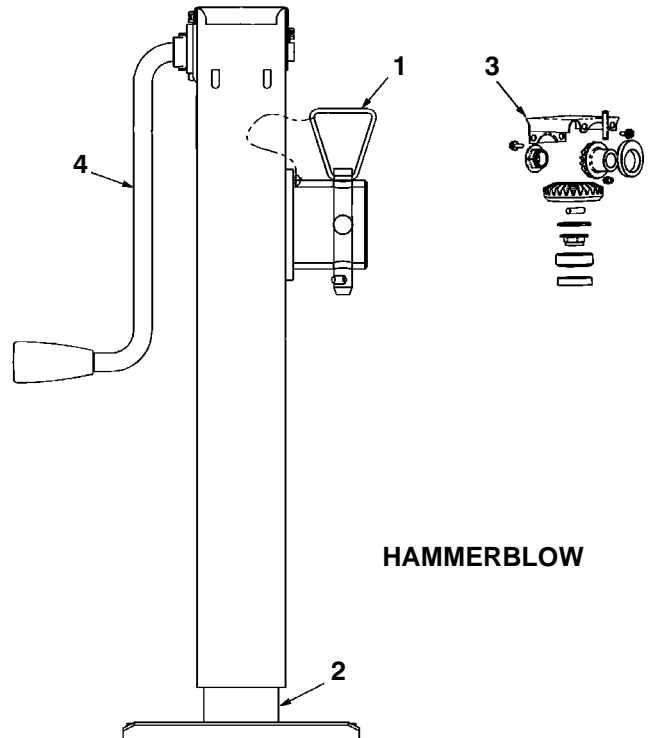


THURSTON

Ref. No.	Part No.	Description	Qty. Req.
	082027	HITCHJACK - THURSTON	1
		CONSISTS OF:	
1	082650	PIN/BALL LOCK ASSY	1
2	082649	CAP/POLY	1
3	082660	GEAR/12T	1
4	082645	KEY/SQUARE 1/4X3/4	2
5	082659	SHAFT/PINION	1
6	082647	CRANK/ASSY W/GRIP	1
7	082658	GEAR/18T	1
8	082657	SCREW/LOCK CAP	1
9	082656	WASHER/GEAR RETAINER	1
10	082644	WASHER/SPACER	1
11	082655	BEARING/THRUST	1
12	082654	SCREW/LH ACME ASSY	1
13	082653	TUBE/OUTER	1
14	082652	PIN/RETAINING 3/8 NUT	1
15	082651	TUBE/INNER	2

170695 Hitchjack
Capacity - 8000 lbs.
Travel - 13 inches

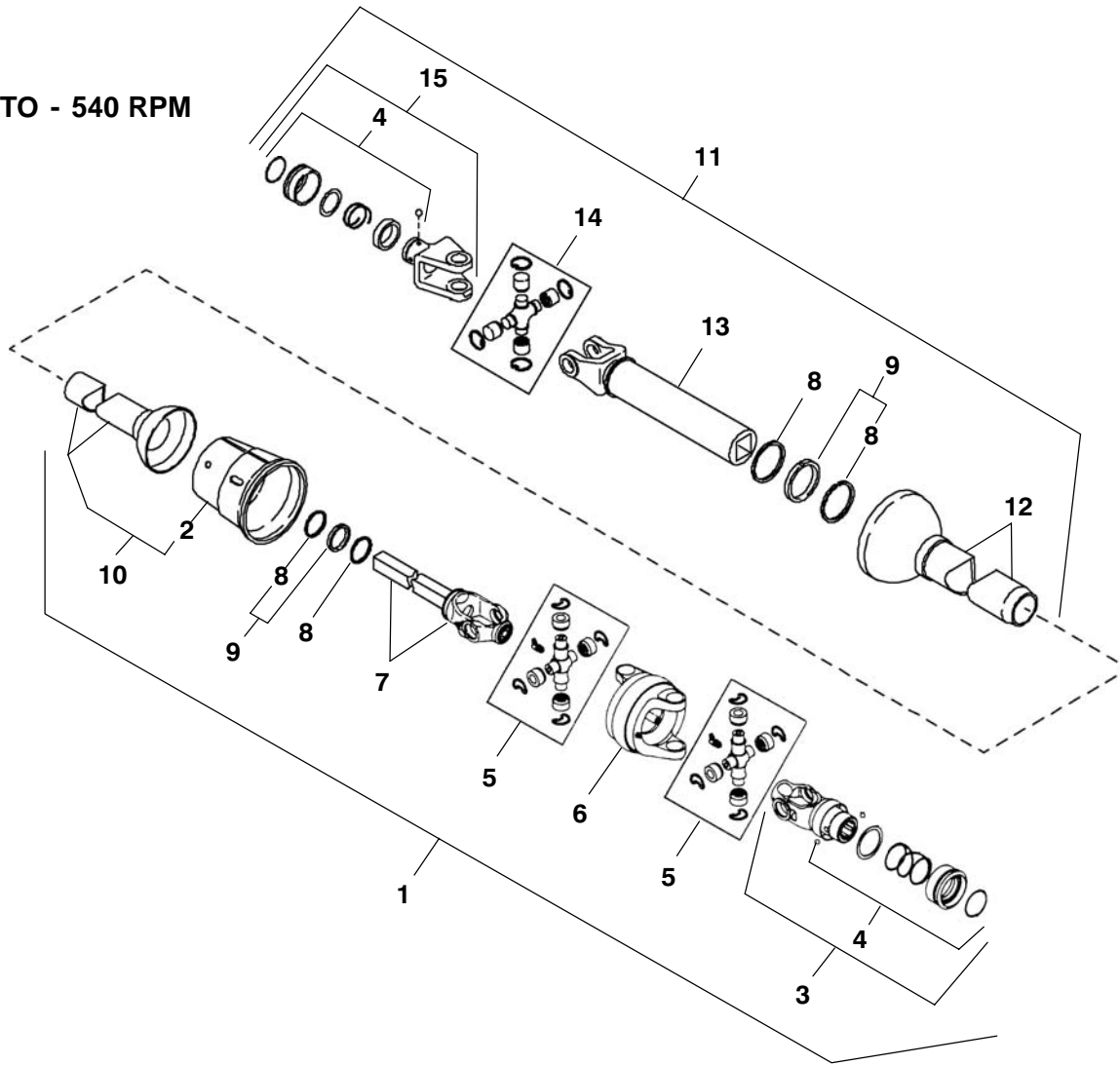
Ref. No.	Part No.	Description	Qty. Req.
	170695	HITCHJACK - HAMMERBLOW	1
		CONSISTS OF:	
1	082650	PIN/BALL LOCK ASSY	1
2	170770	INNER TUBE/SCREW & NUT	1
3	170771	FINAL ASSY KIT	1
4	170772	CRANK ASSY	1



HAMMERBLOW

1309/1312/1315/1322 - COMPONENT BREAKDOWNS

PTO - 540 RPM



Ref. No.	Part No.	Description	Quantity			
			1309	1312	1315	1322
1	119841 _a	JT & SHAFT HALF ASM W/GUARD SET	1	1	1	1
2	091167	GUARD/PLASTIC	1	1	1	1
3	119843	SLIDE YOKE ASSEM	1	1	1	1
4	144629	KIT/AUTO-LOK REPAIR	2	2	2	2
5	119844	KIT/CROSS REPAIR	2	2	2	2
6	090895	HOUSING/CV CENTER	1	1	1	1
7	119845	YOKE & SHAFT	1	1	1	1
8	510100	RETAINER/BEARING	4	4	4	4
9	095130	KIT/NYLON BEARING	2	2	2	2
10	119846	GUARD SET	1	1	1	1
11	084405	JOINT/UNIV IMPLEMENT	1	1	1	1
12	086952 _b	TUBE/GUARD	1	1	1	1
13	086953	YOKE/W/TUBE ASSY	1	1	1	1
14	045327 _c	KIT/CENTER CROSS	1	1	1	1
15	510233	YOKE/LOCK	1	1	1	1

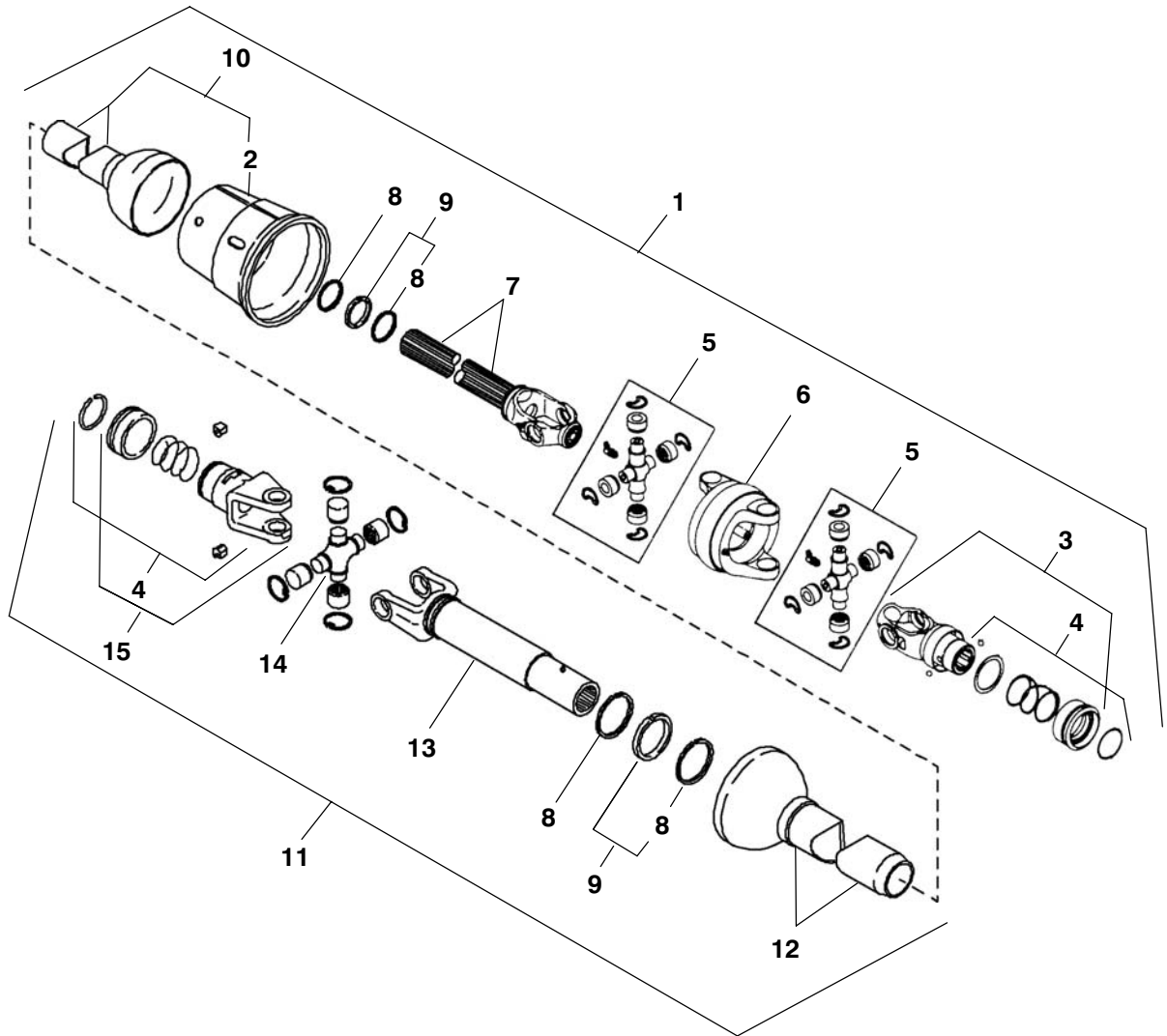
a) Includes 091444 DANGER Decal.

b) Includes 510100 Bearing Retainer.

c) Includes 570004 Grease Fitting.

1322 - COMPONENT BREAKDOWNS

PTO - 1000 RPM



Ref. No.	Part No.	Description	Quantity 1322
1	143065 _a	JOINT & SHAFT HALF	1
2	091167	GUARD/PLASTIC	1
3	143067	YOKE/SLIDE SAFETY LOCK	1
4	144629	KIT/SLIDE LOCK	2
5	119844	KIT/CROSS REPAIR	2
6	090895	HOUSING/CV CEN ASSY	1
7	119845	YOKE W/SHAFT ASSY	1
8	510100	RETAINER/BEARING	4
9	095130	KIT/REPAIR	2
10	119846	GUARD SET	1
11	084405	JOINT/UNIV IMPLEMENT	1
12	086952 _b	TUBE/GUARD	1
13	086953	YOKE/W/TUBE ASSY	1
14	045327	KIT/CENTER CROSS	1
15	510233	YOKE/LOCK	1

a) Includes 091444 DANGER Decal.

b) Includes 091444 DANGER Decal & 510100 Bearing Retainer.

1309/1312/1315/1322 - OPTIONS & ACCESSORIES

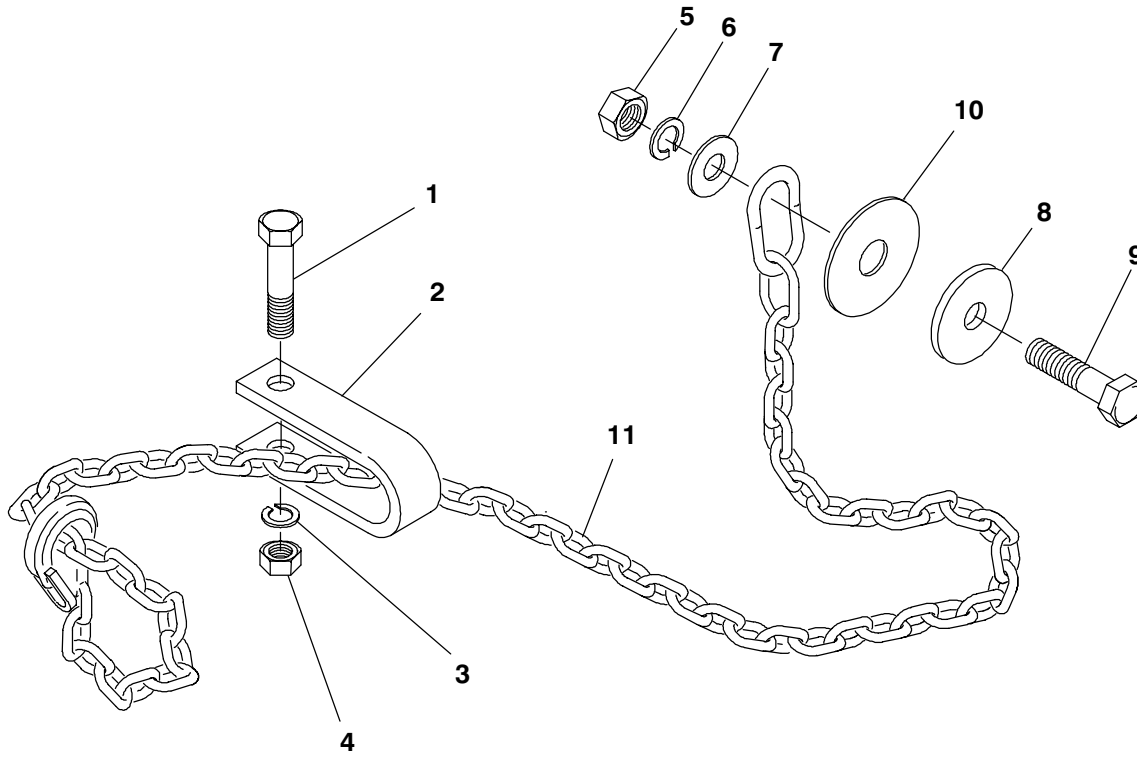
Ref. No.	Part No.	Description	Quantity			
			1309	1312	1315	1322
1	092587 _a	LID/TANK ASSY	-	-	-	1
2	092808	SEAL/LID END	-	-	-	2
	651069	BOLT/ELEVATOR 5/16X1-1/4 (N, L)	-	-	-	16
3	092809	SEAL/LID SIDE	-	-	-	2
	651069	BOLT/ELEVATOR 5/16X1-1/4 (N, L)	-	-	-	32
4	095146 _b	CYLINDER/HYDRAULIC 2 X 18	-	-	-	2
5	092812	PIN/CYLINDER PIVOT	-	-	-	4
	074090	PIN/SPRING	-	-	-	4
6	092593	BRACKET/CYL PIVOT LT	-	-	-	2
7	092804	BRACKET/CYL PIVOT RT	-	-	-	2
8	092803	BRACKET/HOLD DOWN	-	-	-	4
	650526	CS 3/4X6 (NILN)	-	-	-	4
9	092810	PIN/HINGE (7/8X18-7/8)	-	-	-	6
	655020	PIN/COTTER 3/16X1-1/2	-	-	-	12
	092811	PIN/DRIVE (1/2X19-1/2)	-	-	-	1
	655020	PIN/COTTER 3/16X1-1/2	-	-	-	2
10	092805	TUBE/HYDRAULIC	-	-	-	2
11	064673	ELBOW/HYD FITTING 90 DEG	-	-	-	2
12	083231	HOSE/ASSY	-	-	-	4
13	092813	VALVE	-	-	-	2
14	018453	CLAMP/HOSE	-	-	-	3
	070856	3/8 FLN	-	-	-	3
15	072901	NIPPLE/MALE 3/8 TO 1/2	-	-	-	2
16	077969	ELBOW/HYD FITTING 90 DEG	-	-	-	4
17	057655	BUSHING/HYD FITTING	-	-	-	2
18	092806	FITTING/HYDRAULIC	-	-	-	2
19	580052	ELBOW	-	-	-	2
20	083250	HOSE/ASSY	-	-	-	2
21	092814	HINGE/LID ASSY LOWER	-	-	-	12

a) Includes 093202, 092807 & 093793 decals.

b) For repair parts, see Component Breakdowns page titled Hydraulic Cylinders.

1309/1312/1315/1322 - OPTIONS & ACCESSORIES

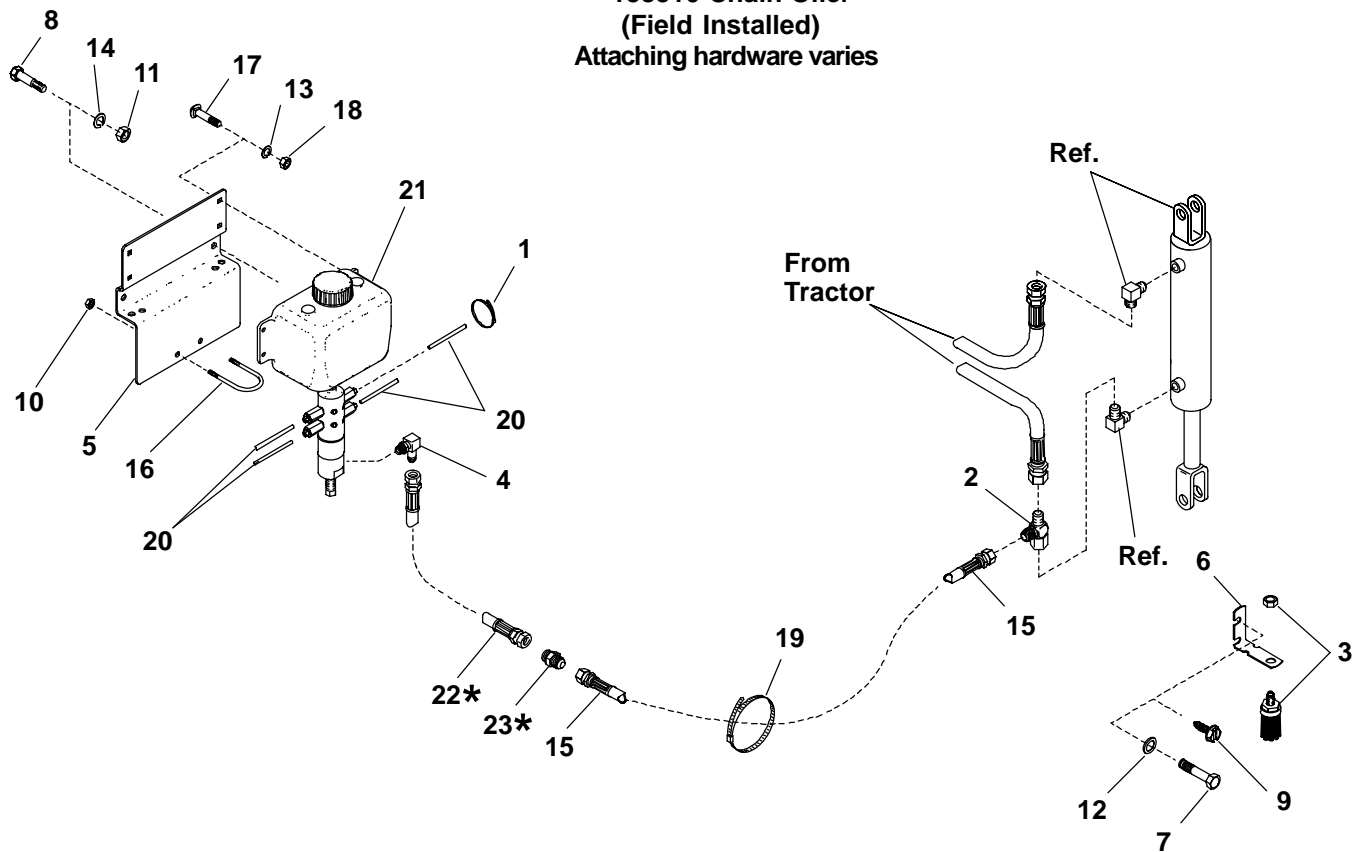
Safety Chains 142966 10-Ton - 1309, 1312 & 1315 142967 15-Ton - 1322



Ref. No.	Part No.	Description	Quantity			
			1309	1312	1315	1322
1	650695	CS 5/8X3-1/2	1	1	1	1
2	080894	CLEVIS	1	1	1	1
3	654032	LW 5/8	1	1	1	1
4	653021	HN 5/8	1	1	1	1
5	653026	HN 3/4	1	1	1	1
6	654034	LW 3/4	1	1	1	1
7	654014	FW 3/4	1	1	1	1
8	069076	FW 25/32	1	1	1	1
9	650172	CS 3/4X3-1/4 GR5 (10-TON)	1	1	1	-
	651073	CS 3/4X3-1/4 GR8 (15-TON)	-	-	-	1
10	043912	FW 1-1/32	1	1	1	1
11	080893	CHAIN/SAFETY	1	1	1	-
	080895	CHAIN/SAFETY	-	-	-	1

1309/1312/1315/1322 - OPTIONS & ACCESSORIES

158510 Chain Oiler (Field Installed) Attaching hardware varies



Ref. No.	Part No.	Description	Qty. Req.	Ref. No.	Part No.	Description	Qty. Req.
1	055648	TIE/WIRE	8	14	654026	LW 3/8	4
2	072806	TEE/HYD FITTING	1	15	158729	HOSE/ASSY - 54"	1
3	091210	BRUSH/ASSY	4	16	158006	U-BOLT	1
5	156893	BRACKET	1	17	650758	CB 1/4X3/4	4
6	157982	BRACKET	4	18	653005	HN 1/4	4
7	650487	CS 5/16X1	1	19	079340	TIE/NYLON	2
8	650491	CS 3/8X1-1/4	4	20	158379	TUBE/NYLON 360	1
9	650510	TCS 5/16X1/2	3	21	158007 ^a	LUBEMINDER SYSTEM	1
10	653007	HN 5/16	3	22	158730 ^b	HOSE/ASSY - 24"	1
11	653010	HN 3/8	4	23	230-17076 ^b	UNION/HYD FITTING	1
12	654004	FW 5/16	2				
13	654022	LW 1/4	7				

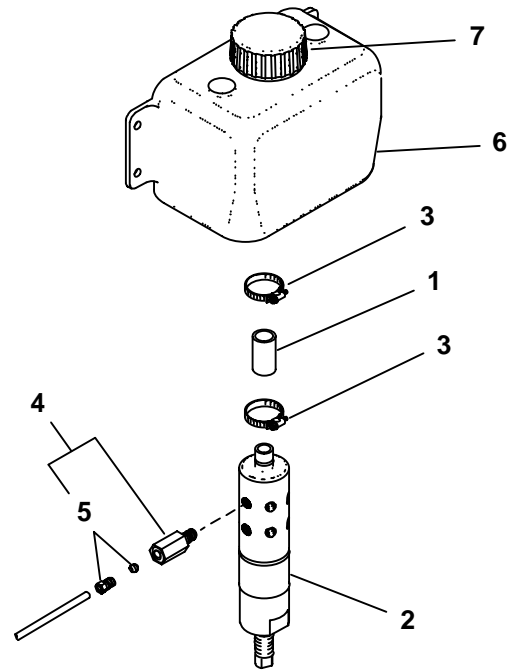
a) See following page for further breakdown.
b) Use as required on certain models.

1309/1312/1315/1322 - OPTIONS & ACCESSORIES

158007 Lubeminder System

Ref. No.	Part No.	Description	Qty. Req.
1	091213	TUBE	1
2	158044	PUMP	1
3	420-21748	CLAMP	2
4	119564	MANIFOLD	4
5	119565 _a	KIT/VALVE	4
6	091209	TANK/OIL	1
7	112269	CAP/OIL TANK	1

a) Kit contains four sleeve nuts and four ferrules.



Index

A

Auger Drive, 6–7
Auger, Liner, Slides & Hitch, 4–5
Augers, 33
Axles
 Single, 18–19
 Tandem, 20–25
Brake Hydraulics, 28–29
 w/Brakes, 26–27

C

Chain Oiler, 43–44
Component Breakdowns
 Augers, 33
 Hitchjacks, 36, 37
 Hydraulic Cylinders, 34
 PTO - 1000 RPM, 39
 PTO - 540 RPM, 38
 Splash Guards & Rails, 35

D

Decal Application, 2
Decal Locations, 2–4
Decal Set and List, 2

E

Expeller & Discharge Gate, 8–9

G

Guards & Shields, 16–17

H

Hitchjacks, 36, 37
Hydraulic Cylinders, 34
Hydraulic Lid Kit, 40–41
Hydraulics, 12–15

I

Input Shaft & Expeller Drive,
 10–11

O

Options & Accessories
 Chain Oiler, 43–44
 Hydraulic Lid Kit, 40–41
 Safety Chains, 42

P

Paint Notice, 2
PTO - 1000 RPM, 39
PTO - 540 RPM, 38

S

Safety Chains, 42
Splash Guards & Rails, 35

T

Tank Repair Panels, 32
Transport Lights, 30–31

1309/1312/1315/1322 - NUMERICAL INDEX

Part No.	Page No.	Ref. No.	Part No.	Page No.	Ref. No.	Part No.	Page No.	Ref. No.	Part No.	Page No.	Ref. No.
H7710	5	1	045581	19	9	071700	11	6	079152	18	11
H7119	11	1	045581	21	1	071700	17	6	079152	19	12
B11433A	7	1	045581	23	9	071701	7	3	079152	21	6
R13216	9	1	045581	25	5	071701	13	5	079152	23	12
C14036	11	2	045581	27	5	071701	15	5	079152	25	7
003937	18	1	051904	11	3	071701	17	6	079152	27	7
003937	19	1	053894	5	23	071703	7	4	079340	43	19
003937	23	1	054586	17	1	071703	9	2	080079	11	9
003938	18	2	054994	13	33	071703	13	6	080079	17	8
003938	19	2	054997	29	1	071703	15	6	080305	7	38
003938	23	2	055021	13	2	071703	17	7	080394	7	17
003938	25	1	055021	15	2	071706	9	3	080618	7	6
003938	27	1	055648	30	1	071706	21	4	080629	13	11
003939	18	3	055648	43	1	071706	23	10	080629	15	11
003939	19	3	056080	13	3	071706	25	6	080633	17	9
003939	23	3	056080	15	3	071706	27	6	080638	5	21
003940	18	4	056080	29	2	071709	11	7	080646	7	7
003940	19	4	056230	11	4	072806	43	2	080655	7	36
003940	23	4	057655	41	17	072901	41	15	080655	7	36
003943	18	5	057864	17	2	073788	34	6	080655	11	10
003943	19	5	058421	21	2	074091	13	7	080655	11	18
003943	23	5	058579	11	5	074091	15	7	080656	11	10
003943	25	2	058615	17	3	074091	29	4	080658	7	8
003943	27	2	059272	17	4	074091	31	1	080893	42	11
004375	18	6	060510	2	2	074257	30	2	080894	42	2
004375	19	6	060511	2	3	074257	31	2	080895	42	11
004375	23	6	061276	36	1	075105	5	6	081380	9	6
018453	13	1	061845	5	2	075274	29	5	081380	17	10
018453	15	1	061846	5	36	076082	11	8	081462	36	2
018453	41	14	061847	5	3	076085	7	5	081463	36	4
042162	18	7	061848	5	4	076099	13	8	081655	7	9
042162	19	7	062815	7	2	076099	15	8	081655	17	8
042162	23	7	064331	5	30	076373	9	4	082010	9	7
042162	25	3	064673	41	11	076513	13	9	082027	37	
042162	27	3	065185	5	37	076513	15	9	082027	5	9
042163	18	8	066717	21	3	076763	11	29	082265	7	11
042163	19	8	067880	29	3	077836	36	7	082489	7	38
042163	23	8	068034	19	10	077838	36	5	082644	37	10
042163	25	4	068938	13	4	077839	36	8	082645	37	4
042163	27	4	068938	13	31	077969	41	16	082647	37	6
043912	42	10	068938	15	4	077969	41	16	082649	37	2
045026	7	35	069076	42	8	078657	18	10	082650	37	1
045171	11	30	070648	9	36	078657	19	11	082650	37	1
045327	38	14	070648	17	28	078657	21	5	082651	37	15
045327	39	14	070856	5	5	078657	23	11	082652	37	14
045581	18	9	071401	17	5	079098	13	10	082653	37	13
						079098	15	10	082654	37	12

1309/1312/1315/1322 - NUMERICAL INDEX

Part No.	Page No.	Ref. No.	Part No.	Page No.	Ref. No.	Part No.	Page No.	Ref. No.	Part No.	Page No.	Ref. No.
082655	37	11	088904	15	13	093466	2	12	098088	5	13
082656	37	9	089676	34	3	093638	2	13	098369	29	6
082657	37	8	089677	34	5	093639	2	15	098400	21	15
082658	37	7	089678	34	4	093653	2	14	098400	23	20
082659	37	5	089679	34	6	093895	27	14	099979	35	1
082660	37	3	089680	34	2	093896	27	15	099980	35	2
083100	21	7	089681	34	7	094144	33	2	110009	17	11
083106	25	8	089682	34	1	094145	33	3	110010	17	14
083106	27	8	089683	34	3	094164	13	32	110022	11	14
083107	25	9	089684	34	5	094242	7	15	110023	11	15
083107	27	9	089685	34	4	094253	17	15	110031	17	15
083108	25	10	089686	34	2	094275	21	11	110032	17	16
083108	27	10	089689	34	3	094275	23	16	110033	5	14
083109	25	11	089690	34	5	094283	36	6	110036	15	16
083109	27	11	089693	34	2	094286	23	14	110037	13	17
083231	41	12	090585	5	10	094287	23	15	110037	13	26
083250	41	20	090895	38	6	094288	21	12	110037	15	17
083663	7	12	090895	39	6	094288	23	17	110037	15	26
083664	7	13	091167	38	2	094290	34	7	110038	13	18
083666	11	11	091167	39	2	094328	21	13	110038	13	25
083669	11	12	091209	44	27	094328	23	18	110038	15	18
083674	7	15	091210	43	3	094451	33	4	110038	15	25
083678	7	39	091213	44	4	094452	33	5	110039	13	16
083680	7	11	091444	2	5	094474	9	8	110039	13	19
084175	30	3	091881	11	10	094477	21	9	110039	15	19
084405	38	11	092021	36	3	094478	21	10	110042	35	3
084405	39	11	092587	41	1	094839	5	11	110052	35	3
084601	11	13	092593	41	6	094840	5	11	110450	13	16
084799	7	36	092803	41	8	094841	5	11	110450	13	19
084799	11	10	092804	41	7	094842	5	11	110450	15	16
084801	7	9	092805	41	10	094843	25	13	110450	15	19
086952	38	12	092806	41	18	094912	2	16	111342	17	11
086952	39	12	092808	41	2	094913	2	17	111345	35	3
086953	38	13	092809	41	3	094951	2	18	111346	35	3
086953	39	13	092810	41	9	095026	7	16	112118	35	4
087052	7	36	092811	41	9	095130	38	9	112133	35	4
087052	7	36	092812	41	5	095130	39	9	112137	35	4
087052	11	10	092813	41	13	095146	41	4	112208	27	31
087107	13	12	092814	41	21	097257	7	17	112269	44	28
087107	15	12	093020	2	6	097286	5	12	112443	18	15
088485	21	8	093208	2	7	097304	13	14	112443	21	16
088485	23	13	093366	2	8	097304	15	14	112443	23	21
088749	5	8	093367	2	9	097305	13	15	112444	18	15
088841	5	9	093373	2	10	097305	13	15	112444	19	13
088841	36		093457	2	11	097305	15	15	112444	21	16
088904	13	13	093465	2	12	097326	21	14	112444	23	21
						097326	23	19	112445	19	13

1309/1312/1315/1322 - NUMERICAL INDEX

Part No.	Page No.	Ref. No.	Part No.	Page No.	Ref. No.	Part No.	Page No.	Ref. No.	Part No.	Page No.	Ref. No.
112445	25	13	119846	39	10	120740	2	21	141810	5	7
112445	27	13	120239	9	9	120742	9	16	141814	18	15
112886	30	17	120240	9	9	120750	5	21	141814	19	13
112886	31	12	120241	9	13	120751	9	18	141814	21	16
112917	30	16	120244	9	10	120755	5	14	141814	23	21
112917	31	11	120245	9	10	120765	5	16	141816	7	10
113026	36	7	120249	9	11	120927	5	22	142301	5	39
113247	27	32	120255	5	15	120928	9	11	142302	5	38
114824	13	30	120257	5	16	120930	9	14	142303	5	37
115415	29	7	120318	11	16	120931	9	16	142319	21	17
115416	29	8	120320	5	19	120938	7	36	142320	23	22
115418	29	9	120321	5	19	120938	11	18	142321	25	12
115504	29	10	120334	5	17	120950	5	18	142778	7	14
115628	2	19	120346	13	24	120950	33	1	142779	27	12
116786	17	17	120346	15	24	120951	5	18	142837	29	11
118016	9	7	120347	7	19	120951	33	1	142912	7	14
118741	19	14	120356	9	12	120990	9	17	142943	29	12
118757	13	20	120358	5	18	120991	9	18	143065	39	1
118757	15	20	120358	33	1	122736	2	24	143067	39	3
119257	13	21	120362	13	24	124506	18	13	143470	5	9
119257	15	21	120362	15	24	124507	18	14	143470	36	
119258	13	22	120399	2	20	124773	7	22	143597	36	1
119258	15	22	120401	25	14	124773	11	19	143598	36	6
119493	5	35	120402	25	15	126339	17	19	143600	36	5
119532	31	3	120411	5	19	126342	17	20	143601	36	2
119533	31	4	120530	5	20	126735	36	4	143602	36	4
119564	44	9	120539	7	20	127797	11	28	143610	36	3
119565	44	26	120544	9	13	128015	7	23	144629	38	4
119665	31	5	120549	9	18	128372	34	4	144629	39	4
119666	31	6	120551	5	20	129829	34	2	145155	9	15
119692	13	23	120553	7	21	129831	34	4	145216	2	4
119692	15	23	120575	25	16	129834	34	5	145217	2	23
119693	13	23	120575	27	16	141246	9	18	145234	2	1
119693	15	23	120576	25	17	141247	9	18	156836	30	4
119694	13	23	120576	27	17	141249	2	22	156893	43	5
119694	15	23	120577	25	18	141251	11	17	157123	30	5
119703	11	10	120577	27	18	141265	18	15	157711	30	6
119704	7	36	120587	9	14	141265	19	13	157885	7	18
119704	11	10	120618	17	18	141265	25	13	157982	43	6
119841	38	1	120725	9	15	141274	27	19	158006	43	16
119843	38	3	120726	31	7	141782	5	7	158007	43	21
119844	38	5	120727	11	17	141799	17	12	158044	44	7
119844	39	5	120733	13	25	141800	17	12	158123	19	13
119845	38	7	120733	13	26	141801	17	13	158123	25	13
119845	39	7	120733	15	25	141802	17	13	158123	27	13
119846	38	10	120733	15	26	141809	5	7	158379	43	20
									158729	43	15

1309/1312/1315/1322 - NUMERICAL INDEX

Part No.	Page No.	Ref. No.	Part No.	Page No.	Ref. No.	Part No.	Page No.	Ref. No.	Part No.	Page No.	Ref. No.
158730	43	22	606128	27	23	650933	25	21	654006	13	28
159696	30	7	606130	29	15	650933	27	25	654006	15	28
159697	30	8	606170	29	16	650943	17	22	654006	17	25
170522	32	2	606173	29	17	650943	30	10	654006	35	8
170522	32	3	607181	29	18	650943	31	8	654009	9	33
170522	32	4	607185	29	19	650985	29	20	654009	17	26
170695	5	9	611059	7	37	651011	27	26	654012	5	31
170695	37		650172	42	9	651073	42	9	654012	7	31
170770	37	2	650221	5	24	651075	7	27	654014	42	7
170771	37	3	650231	11	21	651090	5	28	654022	30	13
170772	37	4	650487	9	22	651100	9	26	654022	31	10
170938	30	15	650487	43	7	651150	11	23	654022	43	13
171854	32	1	650490	5	25	651167	5	28	654024	29	23
171859	32	2	650490	9	23	651277	25	22	654026	5	32
171860	32	1	650490	35	5	651277	27	27	654026	9	34
171861	32	2	650491	17	21	651320	11	24	654026	17	27
171861	32	3	650491	43	8	651456	30	11	654026	35	9
510100	38	8	650492	7	25	653005	30	12	654026	43	14
510100	39	8	650494	9	24	653005	31	9	654030	9	35
510233	38	15	650495	9	25	653005	43	18	654030	11	27
510233	39	15	650497	21	24	653007	29	21	654030	27	29
520013	25	19	650497	23	24	653007	43	10	654032	5	33
520013	27	20	650498	19	15	653010	5	29	654032	7	32
520054	21	18	650510	43	9	653010	9	30	654032	42	3
520194	9	20	650527	11	22	653010	17	23	654034	42	6
520195	9	21	650540	35	6	653010	35	7	655016	5	34
520201	21	19	650553	9	27	653010	43	11	655018	5	34
520213	21	20	650569	9	28	653018	9	31	655020	7	33
520214	21	21	650584	30	14	653018	11	25	655020	21	25
570002	7	24	650647	7	26	653018	17	24	655024	18	12
570002	9	19	650692	13	27	653019	27	28	655024	19	17
570002	11	20	650692	15	27	653021	5	30	655024	23	26
570002	21	22	650695	42	1	653021	7	28	655024	25	23
570002	23	23	650758	43	17	653021	42	4	655024	27	30
570002	25	20	650773	5	26	653026	42	5	655046	13	29
570002	27	21	650786	9	29	653038	11	26	655046	15	29
580052	41	19	650815	30	9	653047	7	29	660044	29	24
604328	21	23	650844	5	27	653102	21	26	210-19530	9	5
606113	27	22	650858	27	24	654004	29	22	220-10238	17	29
606119	29	13	650933	18	16	654004	43	12	230-17076	43	23
606124	29	14	650933	19	16	654006	7	30	380-13297	9	37
606127	27	23	650933	23	25	654006	9	32	420-21748	44	8

1309/1312/1315/1322 - NUMERICAL INDEX

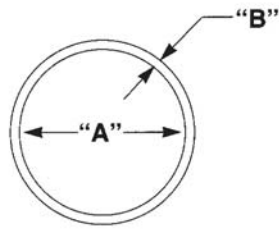
Part No.	Page No.	Ref. No.	Part No.	Page No.	Ref. No.	Part No.	Page No.	Ref. No.	Part No.	Page No.	Ref. No.
-------------	-------------	-------------	-------------	-------------	-------------	-------------	-------------	-------------	-------------	-------------	-------------

NOTES

Part No.	Page No.	Ref. No.	Part No.	Page No.	Ref. No.	Part No.	Page No.	Ref. No.	Part No.	Page No.	Ref. No.
-------------	-------------	-------------	-------------	-------------	-------------	-------------	-------------	-------------	-------------	-------------	-------------

NOTES

O-RING TABLE



FITTING THREAD SIZE	DIAMETER "A"	DIAMETER "B"	GEHL PART NUMBER
9/16 - 18	0.468	0.078	055897
3/4 - 16	0.644	0.087	055896
7/8 - 14	0.755	0.097	055898
1-1/16 - 12	0.924	0.116	048953
1-5/16 - 12	1.171	0.116	058674
1-5/8 - 12	1.475	0.118	077970

Recommended Coupling & Adapter Installation Torque Specifications

For SAE "O" Ring Boss (Steel)

Size		Ft-Lbs (N·m)	
Dash	Fractional (In.)	Minimum	Maximum
-3	3/16	8 (11)	10 (14)
-4	1/4	14 (19)	16 (22)
-5	5/16	18 (24)	20 (27)
-6	3/8	24 (33)	26 (35)
-8	1/2	50 (68)	60 (81)
-10	5/8	72 (98)	80 (108)
-12	3/4	125 (169)	135 (183)
-14	7/8	160 (217)	180 (244)
-16	1	200 (271)	220 (298)
-20	1-1/4	210 (285)	280 (380)
-24	1-1/2	270 (366)	360 (488)







For JIC 37° and 45° (Machined or Flared)

Steel			
Size		Ft-Lbs (N·m)	
Dash	Fractional (In.)	Minimum	Maximum
-4	1/4	10 (14)	11 (15)
-5	5/16	13 (18)	15 (20)
-6	3/8	17 (23)	19 (26)
-8	1/2	34 (46)	38 (52)
-10	5/8	50 (68)	56 (76)
-12	3/4	70 (95)	78 (106)
-16	1	94 (127)	104 (141)
-20	1-1/4	124 (168)	138 (187)
-24	1-1/2	156 (212)	173 (235)
-32	2	219 (297)	243 (330)

TORQUE SPECIFICATIONS

NOTE: Use these torque values when tightening **GEHL** hardware (excluding: locknuts and self-tapping, thread forming and sheet metal screws) unless specified otherwise.

All torque values are in Lb-Ft, except those marked with an *, which are Lb-In.
(For metric torque value Nm, multiply Lb-Ft value by 1.355 or Lb-In value by 0.113)

Unified National Thread	Grade 2 		Grade 5 		Grade 8 	
	Dry	Lubed	Dry	Lubed	Dry	Lubed
8-32 8-36	19* 20*	14* 15*	30* 31*	22* 23*	41* 43*	31* 32*
10-24 10-32	27* 31*	21* 23*	43* 49*	32* 36*	60* 68*	45* 51*
1/4-20 1/4-28	66* 76*	50* 56*	9 10	75* 86*	12 14	9 10
5/16-18 5/16-24	11 12	9	17 19	13 14	25	18 20
3/8-16 3/8-24	20 23	15 17	30 35	23 25	45 50	35
7/16-14 7/16-20	32 36	24 27	50 55	35 40	70 80	55 60
1/2-13 1/2-20	50 55	35 40	75 90	55 65	110 120	80 90
9/16-12 9/16-18	70 80	55 60	110 120	80 90	150 170	110 130
5/8-11 5/8-18	100 110	75 85	150 180	110 130	220 240	170 180
3/4-10 3/4-16	175 200	130 150	260 300	200 220	380 420	280 320
7/8-9 7/8-14	170 180	125 140	430 470	320 360	600 660	460 500
1-8 1-14	250 270	190 210	640 710	480 530	900 1000	680 740
Metric Course Thread	Grade 8.8 		Grade 10.9 		Grade 12.9 	
	Dry	Lubed	Dry	Lubed	Dry	Lubed
M6-1	8	6	11	8	13.5	10
M8-1.25	19	14	27	20	32.5	24
M10-1.5	37.5	28	53	39	64	47
M12-1.75	65	48	91.5	67.5	111.5	82
M14-2	103.5	76.5	145.5	108	176.5	131
M16-2	158.5	117.5	223.5	165.5	271	200

GEHL®

Gehl Company 143 Water Street, P.O. Box 179, West Bend, WI 53095-0179, U.S.A.
www.gehl.com