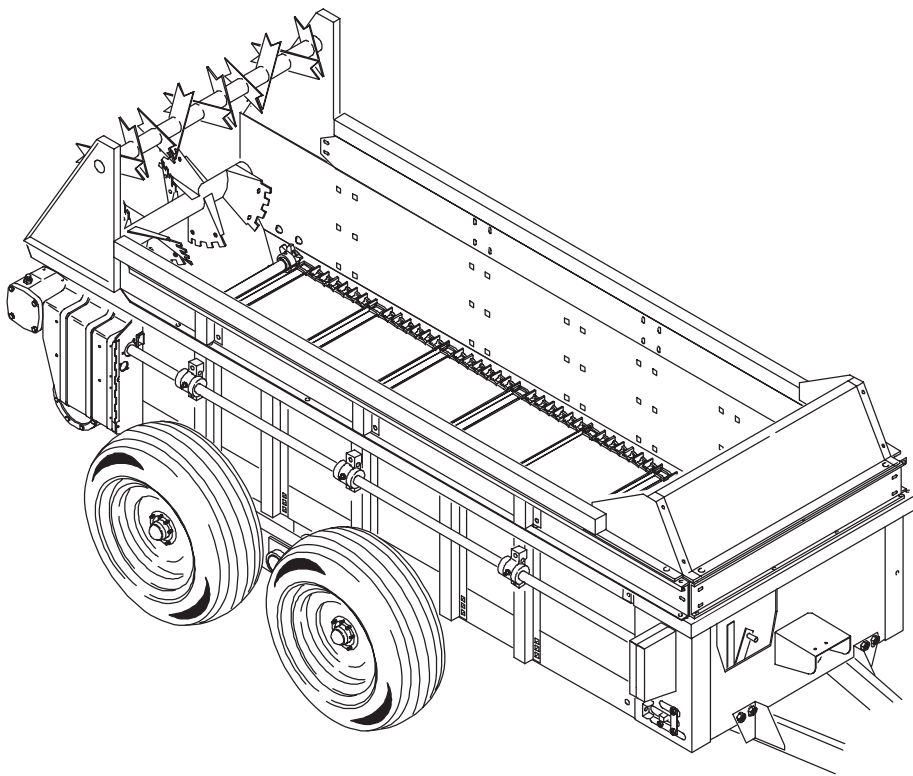


Form No.
908042
Replaces
904908,
904211,
904212 &
904213

175, 250, 325 & 425 Manure Spreaders



PARTS MANUAL

GEHL® AGRICULTURE

Introduction

When ordering service parts, specify the correct part number, full description, quantity required, the unit model number and serial number.

“Right” and “Left” are determined from a position standing behind the Spreader. From this position the Transmission and Drive Line are on the “right”.

GEHL® Company reserves the right to make changes or improvements in the design or construction of any part of the unit without incurring the obligation to install such changes on any previously delivered units.

NOTE: *On original tire replacement, company policy prohibits the sale of replacement tires for all GEHL machinery. Replacement Wheel Sets are available and tire size information is called out with the Wheel Sets to facilitate replacement tire selection. ALL REPLACEMENT TIRES MUST BE PURCHASED LOCALLY.*

Refer to the abbreviations table located on this page for the various fastener descriptions. Standard attaching hardware torque values are also provided on the inside back cover.

In the exploded view parts list, Reference Numbers may have additional information following the Reference Number.

A Tear Drop symbol will indicate an application of a “wet” product such as oil, and the number inside the Tear Drop will correspond to the description in the Parts List.

Also, a number inside of a hexagon will be the torque value required, in foot pounds, on the associated Reference Number. Items shown in the parts list that do not have Reference Numbers are shown for reference purposes only and are NOT available for purchase.

Unless otherwise specified, all Cap Screws or Bolts are Grade 5, cadmium or zinc plated; Hexagon Nuts for Grade 5 Screws or Bolts are Grade B; Hexagon Nuts for other Screws or Bolts are Grade A.

NOTE: *The following abbreviations may be used herein:*

ASSD	– Assembled
ASSY	– Assembly
CB	– Carriage Bolt
CCW	– Counterclockwise
CN	– Castellated Nut

CP	– Cotter Pin
CS	– Cap Screw (Hexagon Head)
CTR	– Center
CW	– Clockwise
DEG	– Degree
DIA	– Diameter
FCS	– Flanged Cap Screw
FHMS	– Flat Head Machine Screw
FHSC	– Flat Head Socket Cap
FL	– Flanged
FLN	– Flanged Lock Nut (Hexagon)
FLS	– Flanged Lock Screw (Hexagon)
FW	– Flat Washer
GA	– Gauge
GR	– Grade
HD	– Hard or Head
HN	– Hex Nut
INCL	– Includes
JT	– Joint
LG	– Large
LH	– Left Hand
LN	– Lock Nut
LW	– Lock Washer
M	– Metric
MM/mm	– Millimeter
NF	– National Fine
PB	– Plow Bolt
PTO	– Power Take Off
RH	– Right Hand
RHWS	– Round Head Washer Screw
RPM	– Revolutions Per Minute
RT	– Right
SERR	– Serrated
SHCS	– Socket Head Cap Screw
SN	– Serial Number or Slotted Nut
SPHER	– Spherical
SQ	– Square
SQSS	– Square Head Set Screw
T	– Tooth or Teeth
TFS	– Thread Forming Screw
THMS	– Truss Head Machine Screw
THRD	– Thread
WLDMT	– Weldment
#	– Number
	– Torque Required in foot pounds
	– Indicates a Fluid Application

TABLE OF CONTENTS

Introduction	Inside Front Cover
Table of Contents	1
Decal Locations	2-5
Frame & Drawbar	6-9
Side Sheets	10-11
Transmission (Mechanical)	12-13
Controls (Mechanical)	14-19
Hydraulic Drive Controls	20-25
Clutch & Drive	26-27
Drive Components	28-29
Beater & Drive	30-31
Guards	32-33
Axles	34-37
Beater Transmission	38-41
Apron Transmission	42-45
Universal Drives	46-47
Hitchjack	48
Hydraulic Motor	49
Accessories	50-69
Litter Pan	50-53
Manual Trip Package	54-55
Upper Beater Kit	56-59
Hydraulic Endgate (MS175, 250 & 325)	60-61
Second Cylinder Kit (MS175, 250 & 325)	62-63
Hydraulic Endgate (MS425)	64-65
1000 RPM Kit	66-67
Splashguard w/side rail	68
Safety Chain	69
Alphabetical Index	70
Numerical Index	71-76
Standard Hardware Torque Specifications	Inside Back Cover

DECAL LOCATIONS

GENERAL INFORMATION

Decal location information is provided to assist in the proper selection and application of new decals, in the event the original decals become damaged or the machine is repainted. Refer to the listing for the illustration reference number, part number, description and quantity of each decal provided in the Kit. Refer to the appropriate illustrations for replacement locations.

To insure proper selection of the correct replacement decals, compare all of the various closeup location drawings to your machine before starting to refinish the unit. Then circle each shown decal (applicable to your machine) while checking off its part number in the listing. After you have verified all the decals needed for replacement, place any extra unnecessary decals aside for disposal.

NOTE: Refer to the SAFETY Chapter of the Operator's Manual for the specific information provided on all of the various Safety Decals furnished in the Decal Kit(s).

NEW DECAL APPLICATION

Surfaces MUST be free from dirt, dust, grease and other foreign material before applying the new Decal. To apply, remove the smaller portion of the decal backing paper and apply this part of the exposed adhesive backing to the clean surface while maintaining proper position and alignment. Peel the other portion of the backing paper off slowly while applying hand pressure to smooth out the Decal surface.



CAUTION

ALWAYS follow safety precautions on decals. Replace the decals if they are damaged, or if the unit is repainted. If repainting, **BE SURE** that all applicable decals are affixed to your unit.

PAINT NOTICE

Use this list to order paint for refinishing:

906315	One Gal. AG Red
902872	One Qt. Light Grey
906316	6 (12 oz. Spray Cans) AG Red
902874	6 (12 oz. Spray Cans) Light Grey

The Decal Set Number for the MS175, MS250, MS325 & MS425 is 130754. The Set includes the following:

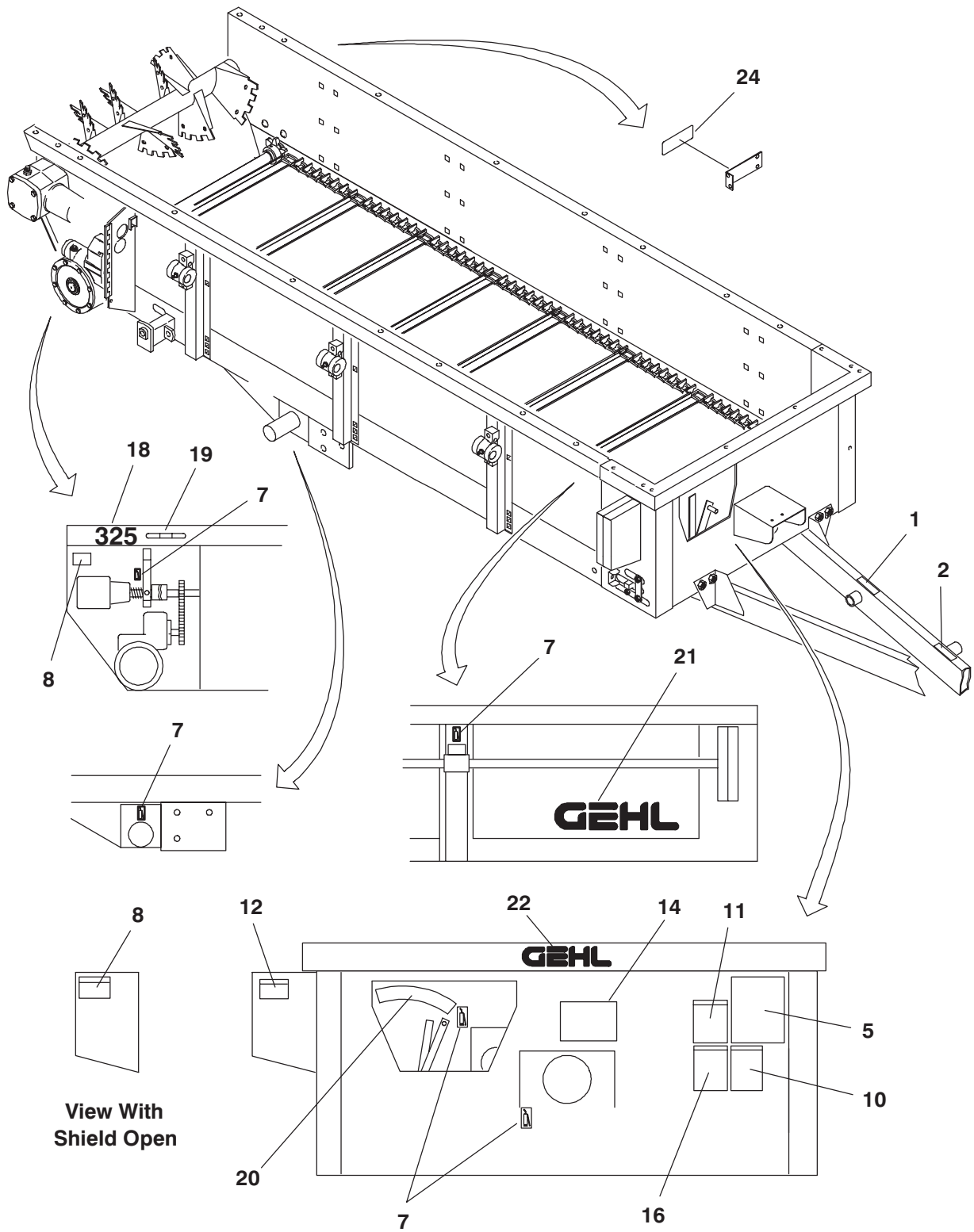
Ref. No.	Part No.	Description & Quantity
1	060510	Jack Storage Position (325 & 425 ONLY)
2	060511	Jack Lifting Position (325 & 425 ONLY)
4	080247	NO Step
5	088492	Operating Instructions
	093873	Operating Instructions (Hydraulic Models)
6	091444	DANGER - Rotating Drive Line
7	093020	Lubrication Symbol 6 Places (175), 7 Places (250), 10 Places (325 & 425)
8	093365	WARNING - Close or Replace Guard (2 Places)
9	093366	IMPORTANT - Store Manual Here
10	093367	WARNING - Owner's Responsibility & Read Manual
11	093373	WARNING - General Safety Precautions
12	093457	WARNING - Keep Door Closed (2 or 3* Places)
13	093465	DECAL/WARNING 1000 RPM**
	093466	DECAL/WARNING 540 RPM
14	093638	DANGER - Rotating Component (2 Places)
15	093640	WARNING - Pinch Point (2 Places)*** (Not Shown)
16	093653	WARNING - Rotating Drive Line
17	094951	Made in USA
18	095023	175 (2 Places)
	095034	250 (2 Places)
	095035	325 (2 Places)
	095036	425 (2 Places)
19	095037	Colorbar
20	112625	Spreader Control
	112627	Spreader Control (Hydraulic Models)
21	122735	Gehl (2 Places)
22	126345	Gehl
23	143007†	DANGER - Shield Missing
24	145216	Red Reflector (2 Places)

* Units with Second Beater only.

** For 325 or 425 Models with Optional 1000 RPM Drive.

*** Units with Hydraulic Endgate only.

† Not included in Decal Kit



NOTE: *The Decal List has been duplicated for your convenience when selecting Decals from the following page.*

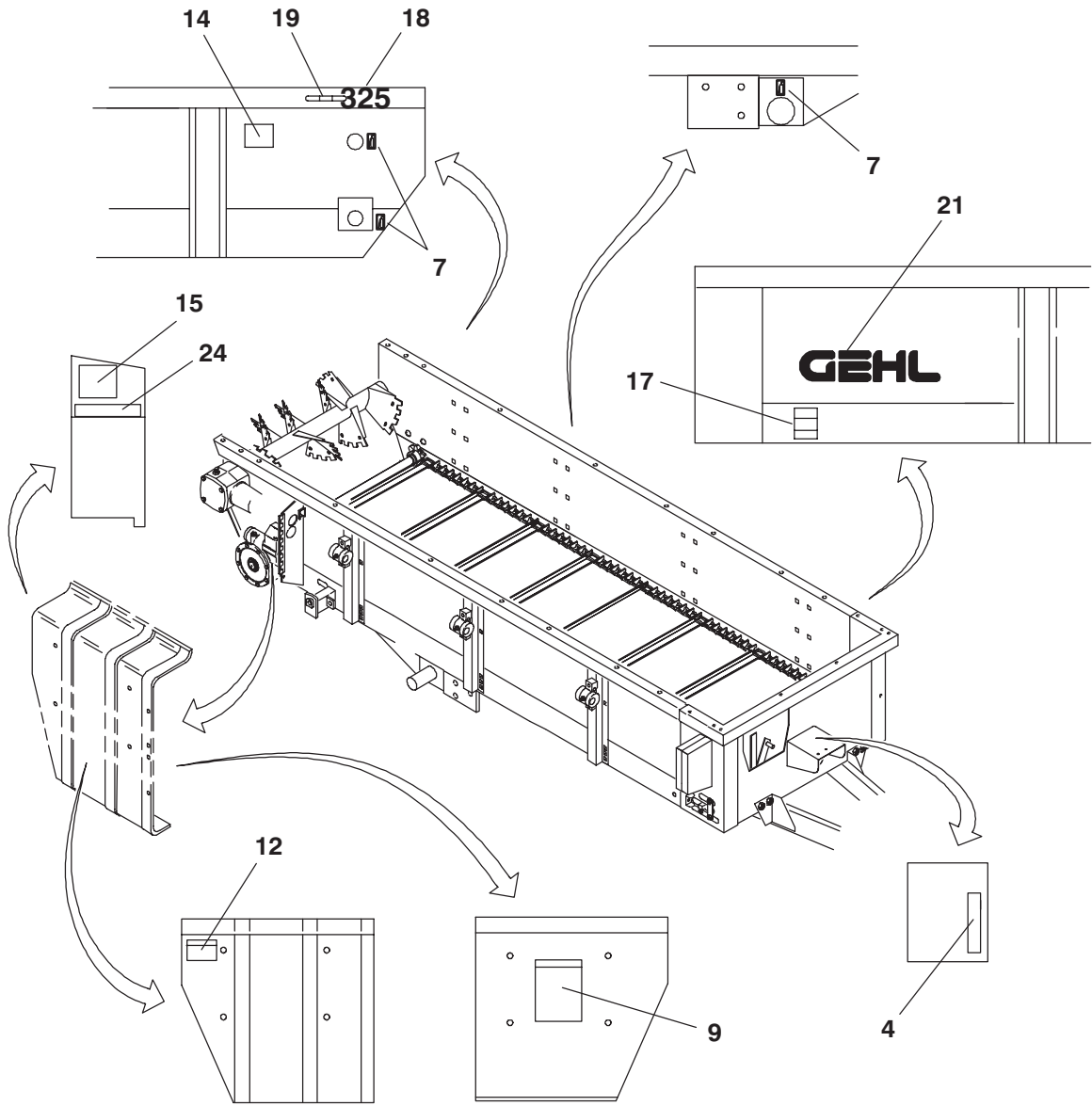
Ref. No.	Part No.	Description & Quantity
1	060510	Jack Storage Position (325 & 425 ONLY)
2	060511	Jack Lifting Position (325 & 425 ONLY)
4	080247	NO Step
5	088492	Operating Instructions
	093873	Operating Instructions (Hydraulic Models)
6	091444	DANGER - Rotating Drive Line
7	093020	Lubrication Symbol 6 Places (175), 7 Places (250), 10 Places (325 & 425)
8	093365	WARNING - Close or Replace Guard (2 Places)
9	093366	IMPORTANT - Store Manual Here
10	093367	WARNING - Owner's Responsibility & Read Manual
11	093373	WARNING - General Safety Precautions
12	093457	WARNING - Keep Door Closed (2 or 3* Places)
13	093465	DECAL/WARNING 1000 RPM**
	093466	DECAL/WARNING 540 RPM
14	093638	DANGER - Rotating Component (2 Places)
15	093640	WARNING - Pinch Point (2 Places)*** (Not Shown)
16	093653	WARNING - Rotating Drive Line
17	094951	Made in USA
18	095023	175 (2 Places)
	095034	250 (2 Places)
	095035	325 (2 Places)
	095036	425 (2 Places)
19	095037	Colorbar
20	112625	Spreader Control
	112627	Spreader Control (Hydraulic Models)
21	122735	Gehl (2 Places)
22	126345	Gehl
23	143007†	DANGER - Shield Missing
24	145216	Red Reflector (2 Places)

* Units with Second Beater only.

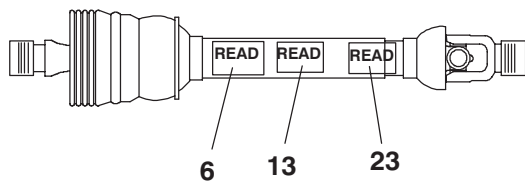
** For 325 or 425 Models with Optional 1000 RPM Drive.

*** Units with Hydraulic Endgate only.

† Not included in Decal Kit

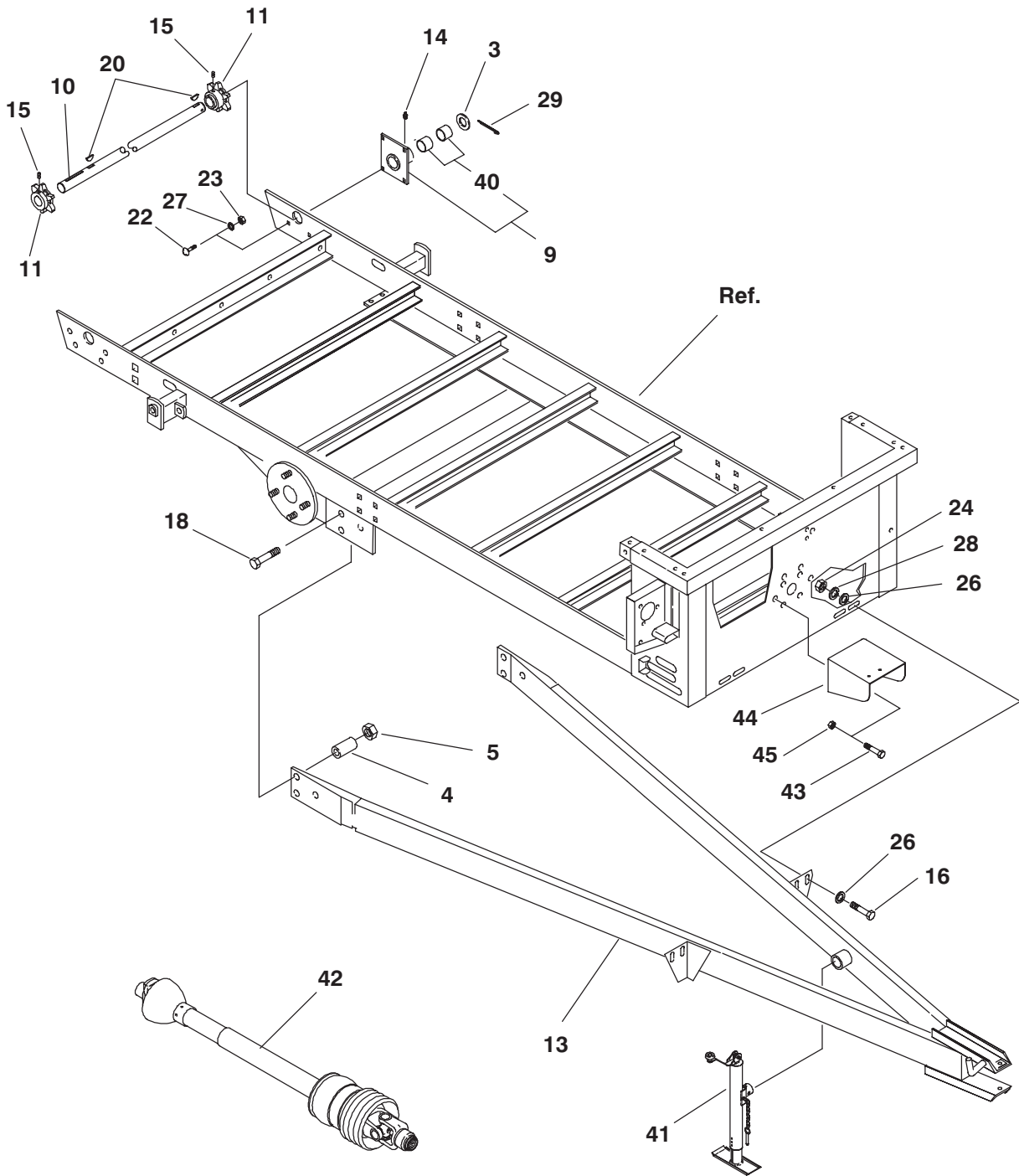


Inside View Of Shield



Beneath Shield

FRAME & DRAWBAR



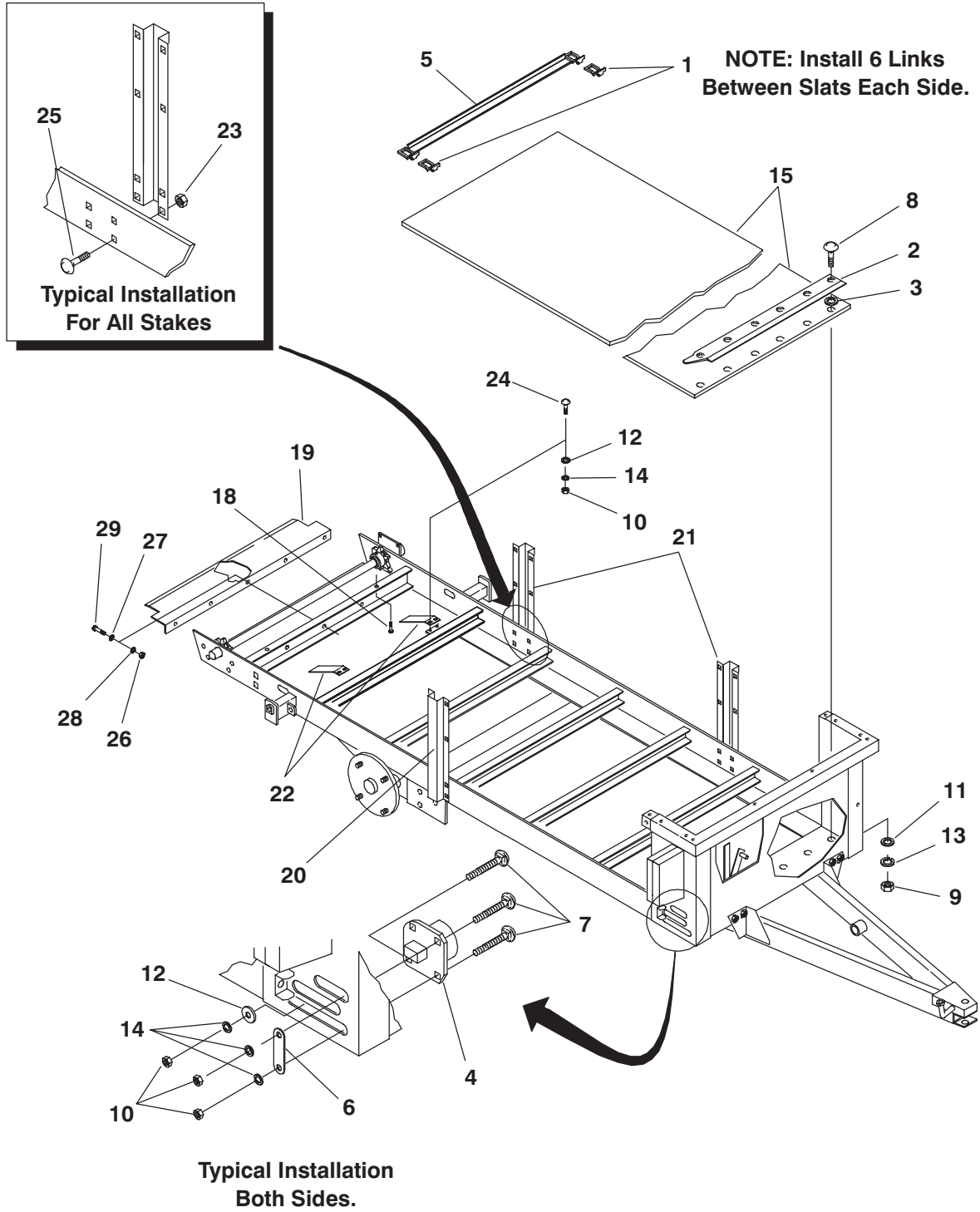
FRAME & DRAWBAR

Ref. No.	Part No.	Description	Quantity			
			175	250	325	425
03	044090	FW 1-25/32	1	1	1	1
04	070036	SLEEVE/SPRING	6	6	6	6
05	071706	LN 1/2	6	6	6	6
09	084477	HOUSING/BEARING	1	1	1	1
10	084481	SHAFT/APRON DRIVE	1	1	1	1
11	086975	SPROCKET/6T	2	2	2	2
13	084316	DRAWBAR/ASSY	1	-	-	-
	084371	DRAWBAR/ASSY	-	1	-	-
	110382	DRAWBAR/ASSY	-	-	1	1
14	570011	FITTING/GREASE	1	1	1	1
15	650212	SHSS 3/8X3/8	2	2	2	2
16	650453	CS 1/2X1-1/2	4	4	4	4
18	650502	CS 1/2X2-1/4	6	6	6	6
20	650601	KEY/WOODRUFF 3/8X1-1/2	2	2	2	2
22	650786	CB 3/8X1-1/4	2	2	2	2
23	653010	HN 3/8	2	2	2	2
24	653018	HN 1/2	4	4	4	4
26	654009	FW 1/2	8	8	8	8
27	654026	LW 3/8	2	2	2	2
28	654030	LW 1/2	4	4	4	4
29	655042	CP 5/16X2-1/2	1	1	1	1
40	084480	BUSHING	2	2	2	2
41	143469 _a	JACK	1	1	-	-
	143471 _a	JACK	-	-	1	1
42	NS _b	DRIVE/UNIVERSAL	1	1	1	1
43	076587	FLS 5/16X5/8	4	4	4	4
44	084553	GUARD/PTO	1	1	1	1
45	210-19470	FLN 5/16	4	4	4	4

a) For further breakdown, see page entitled 'Hitchjack'.

b) Not available as a service part. For breakdown see page entitled 'Universal Drives'.

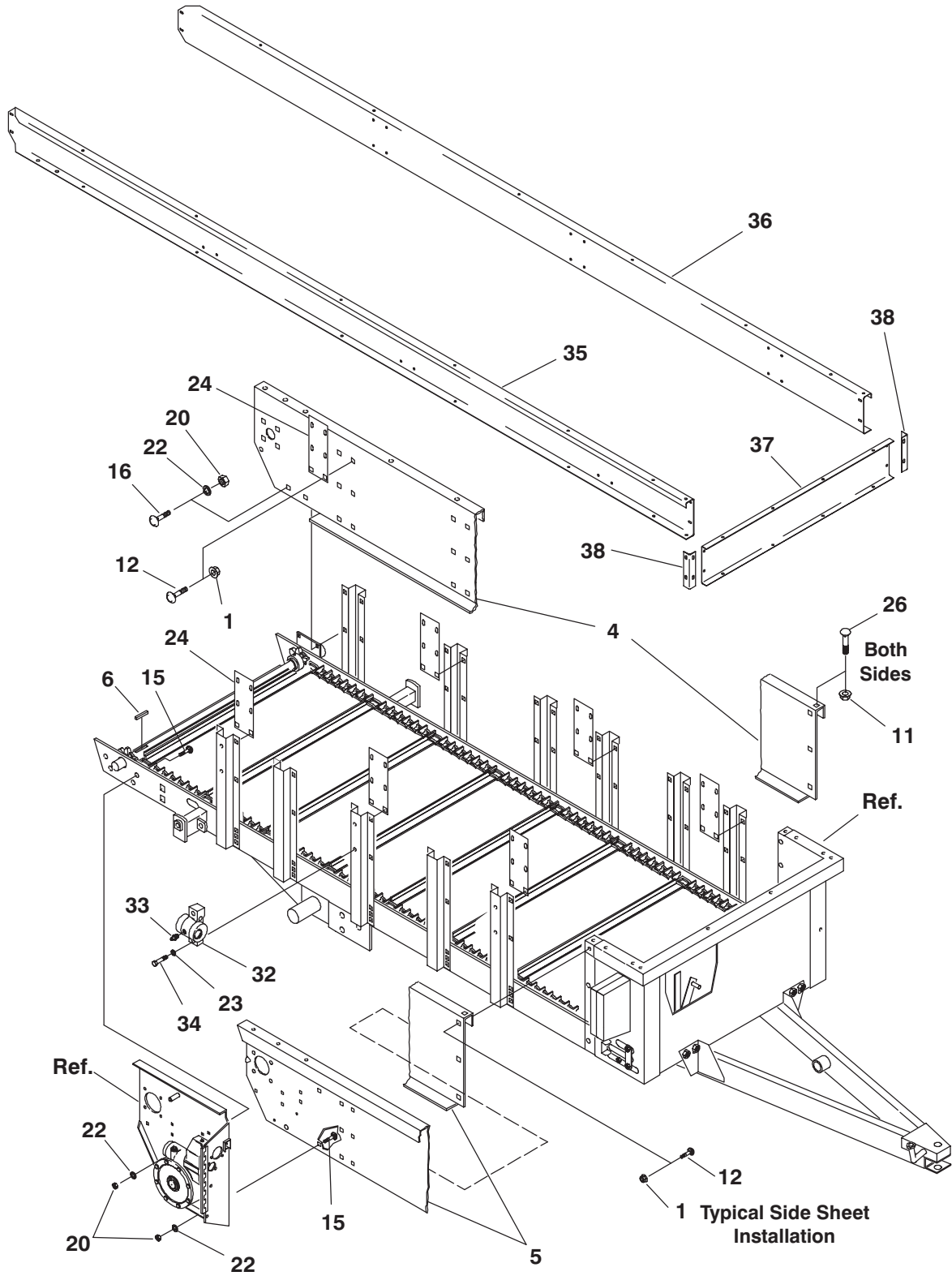
FRAME & DRAWBAR



FRAME & DRAWBAR

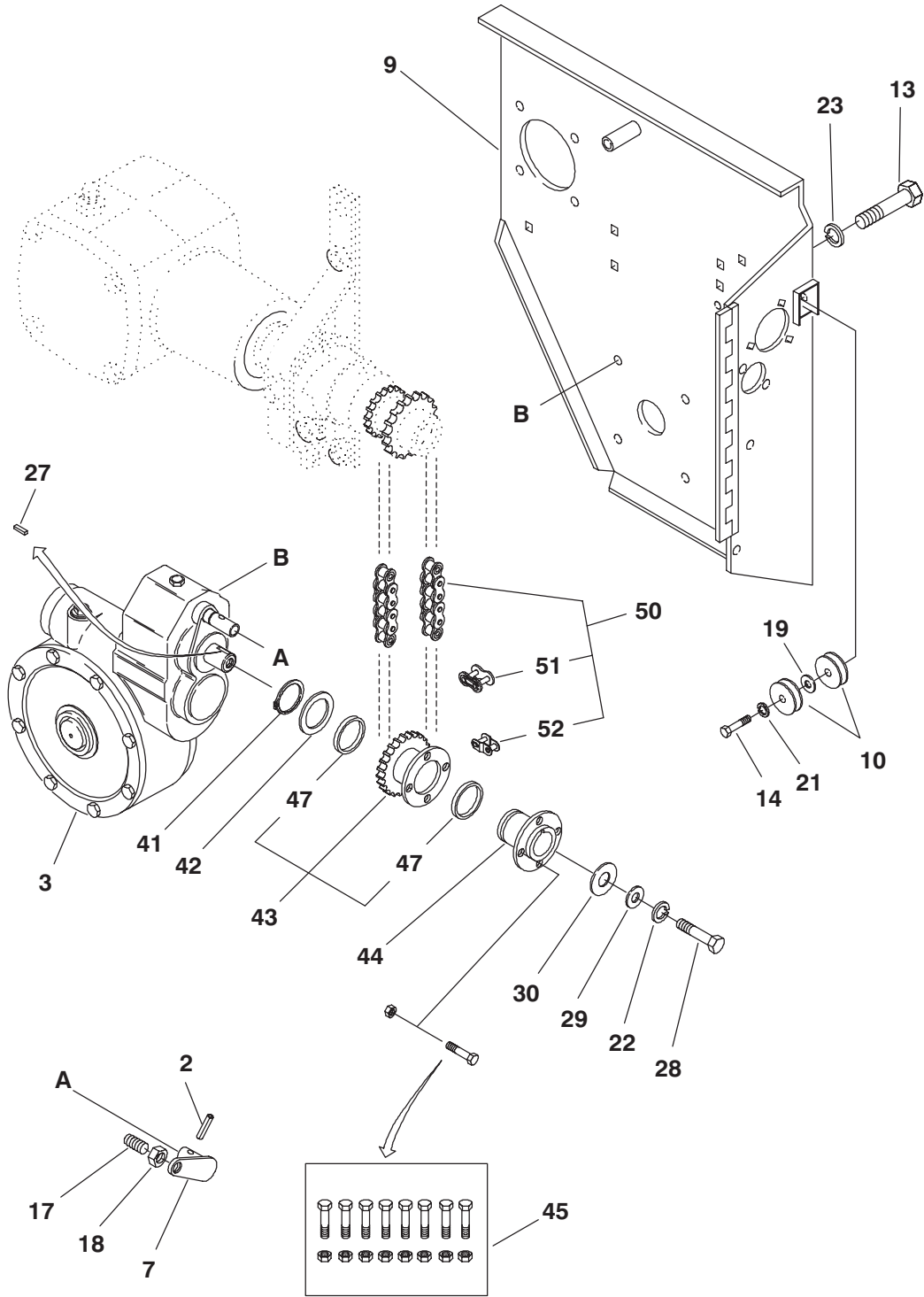
Ref. No.	Part No.	Description	Quantity			
			175	250	325	425
01	004156	LINK/CHAIN	188	226	294	294
02	080121	STRIP/HOLDDOWN	1	1	1	1
03	080170	WASHER/RUBBER	7	7	7	7
04	084455	SLIDE/CHAIN	2	2	2	2
05	084482	SLAT/ASSY	16	19	25	25
06	099977	PLATE (AFTER SN3100-175, 4200-250, 4400-325, 4800-425)	2	2	2	2
07	650834	CB 1/2X1-1/2	6	6	6	6
08	650983	FHCS 5/16X1-3/4	7	7	7	7
09	653007	HN 5/16	7	7	7	7
10	653018	HN 1/2	10	10	10	10
11	654004	FW 5/16	7	7	7	7
12	654009	FW 1/2	6	6	6	6
13	654024	LW 5/16	7	7	7	7
14	654030	LW 1/2	10	10	10	10
15	093848	FLOOR	1	-	-	-
	093849	FLOOR	-	1	-	-
	093850	FLOOR	-	-	1	1
18	651295	SCREW/TAPPING 1/4X3/4	2	2	2	2
19	005238	FILLER/FLOOR REAR	1	1	1	1
20	084457	STAKE/ASSY	1	2	-	-
	084448	STAKE/ASSY	-	-	3	3
21	084458	STAKE	2	3	-	-
	084449	STAKE	-	-	4	8
22	099976	GUIDE/APRON	2	2	2	2
23	210-19470	FLN 5/16	12	20	42	66
24	650527	CB 1/2X1-1/4	4	4	4	4
25	650687	CB 5/16X3/4	12	20	42	66
26	653010	HN 3/8	5	5	5	5
27	654006	FW 3/8	5	5	5	5
28	654026	LW 3/8	5	5	5	5
29	650490	CS 3/8X1	5	5	5	5

SIDE SHEETS



Ref. No.	Part No.	Description	Quantity			
			175	250	325	425
01	210-19470	FLN 5/16	26	36	48	74
04	094343	SIDE/SPREADER LT	1	-	-	-
	094341	SIDE/SPREADER LT	-	1	-	-
	094366	SIDE/SPREADER LT	-	-	1	-
	094364	SIDE/SPREADER LT	-	-	-	1
05	094342	SIDE/SPREADER RT	1	-	-	-
	094340	SIDE/SPREADER RT	-	1	-	-
	094365	SIDE/SPREADER RT	-	-	1	-
	094363	SIDE/SPREADER RT	-	-	-	1
06	084554	KEY/SQUARE	1	1	1	1
11	070856	FLN 3/8	2	2	2	2
12	650437	CB 5/16X5/8	26	36	48	74
15	650704	CB 3/8X1	4	4	4	4
16	650786	CB 3/8X1-1/4	2	2	2	2
20	653010	HN 3/8	6	6	6	6
22	654026	LW 3/8	6	6	6	6
23	654030	LW 1/2	2	4	6	6
24	094346	STRIP	-	-	-	7
26	650790	CB 3/8X3/4	2	2	2	2
32	084461	BLOCK/PILLOW	1	2	3	3
33	570002	FITTING/GREASE	1	2	3	3
34	650503	CS 1/2X2-1/2	2	4	6	6
35	094361	CHANNEL/RT	-	-	-	1
	650488	CS 3/8X3/4 (HN, LW)	-	-	-	7
36	094362	CHANNEL/LT	-	-	-	1
	650488	CS 3/8X3/4 (HN, LW)	-	-	-	7
37	009358	SHIELD/FRONT	-	-	-	1
	650488	CS 3/8X3/4 (HN, LW, FW)	-	-	-	4
38	009352	ANGLE/CORNER	-	-	-	2
	650488	CS 3/8X3/4 (HN, LW, FW)	-	-	-	8

TRANSMISSION (MECHANICAL)



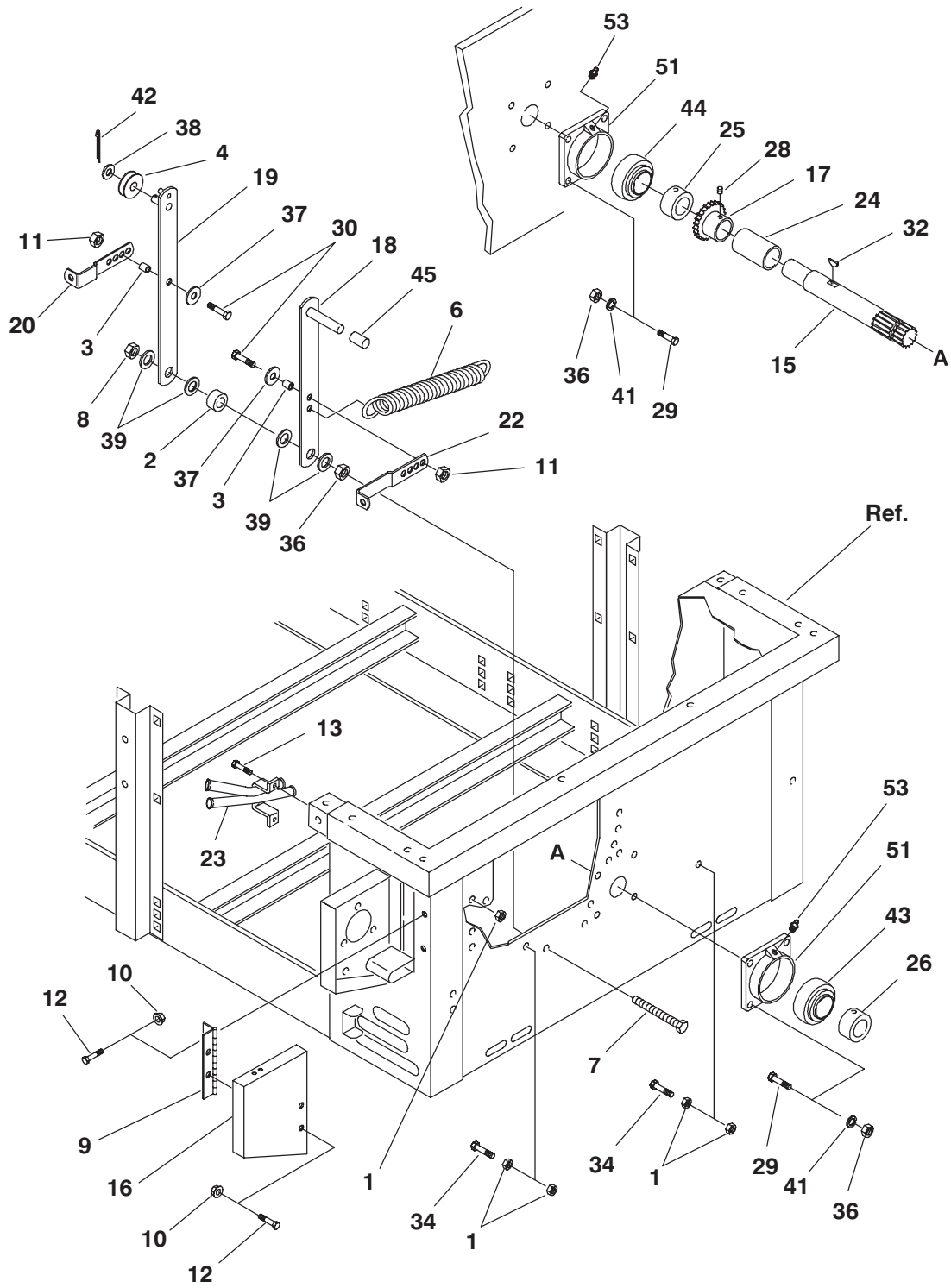
TRANSMISSION (MECHANICAL)

Ref. No.	Part No.	Description	Quantity			
			175	250	325	425
02	064353	PIN/ROLL	1	1	1	1
03	084334 _a	TRANSMISSION	1	1	1	1
	093859 _a	TRANSMISSION (FOR HYDRAULIC UNITS ONLY)	1	1	1	1
07	087133	LEVER/CAM ASSY	1	1	1	1
09	090539	PLATE/REINFORCEMENT	1	1	1	1
		(AFTER SN2700-175, 3800-250, 4100-325, 4500-425)				
	087796	PLATE/REINFORCEMENT	1	1	1	1
		(BEFORE SN2701-175, 3801-250, 4101-325, 4501-425)				
10	090559	PULLEY	2	2	2	2
13	650495	CS 1/2X1-1/4	5	5	5	5
14	650692	CS 5/16X1-3/4	1	1	1	1
17	651223	SHSS 3/8X1-1/2	1	1	1	1
18	653038	HJN 3/8	1	1	1	1
19	654004	FW 5/16	1	1	1	1
21	654024	LW 5/16	1	1	1	1
22	654026	LW 3/8	7	7	7	7
23	654030	LW 1/2	7	7	7	7
27	004942	KEY/SQUARE	1	1	1	1
28	650491	CS 3/8X1-1/4	1	1	1	1
29	654006	FW 3/8	1	1	1	1
30	654009	FW 1/2	1	1	1	1
41	065240	RING/RETAINING	1	1	1	1
42	077118	FW 1-21/32	1	1	1	1
43	094250	SPROCKET/SHEAR	1	1	1	1
		(AFTER SN2700-175, 3800-250, 4100-325, 4500-425)				
	084470	SPROCKET/SHEAR	1	1	1	1
		(BEFORE SN2701-175, 3801-250, 4101-325, 4501-425)				
44	094249	FLANGE/SHEAR ASSY	1	1	1	1
		(AFTER SN2700-175, 3800-250, 4100-325, 4500-425)				
	088835	FLANGE/SHEAR ASSY	1	1	1	1
		(BEFORE SN2701-175, 3801-250, 4101-325, 4501-425)				
45	900091 _b	KIT/SHEAR BOLT	1	1	1	1
		(AFTER SN4100-175, 5500-250, 5200-325, 5400-425)				
	088752 _b	KIT/SHEAR BOLT	1	1	1	1
		(BEFORE SN4101-175, 5501-250, 5201-325, 5401-425)				
47	084472	BUSHING/BRONZE	2	2	2	2
50	090959	CHAIN/ROLLER #40X48 LINKS	1	1	1	1
51	500037	LINK/CONNECTOR	1	1	1	1
52	500038	LINK/OFFSET	2	2	2	2

a) For further breakdown, see page entitled 'Transmission/Apron'.

b) Includes 8 Shear Bolts and Locknuts.

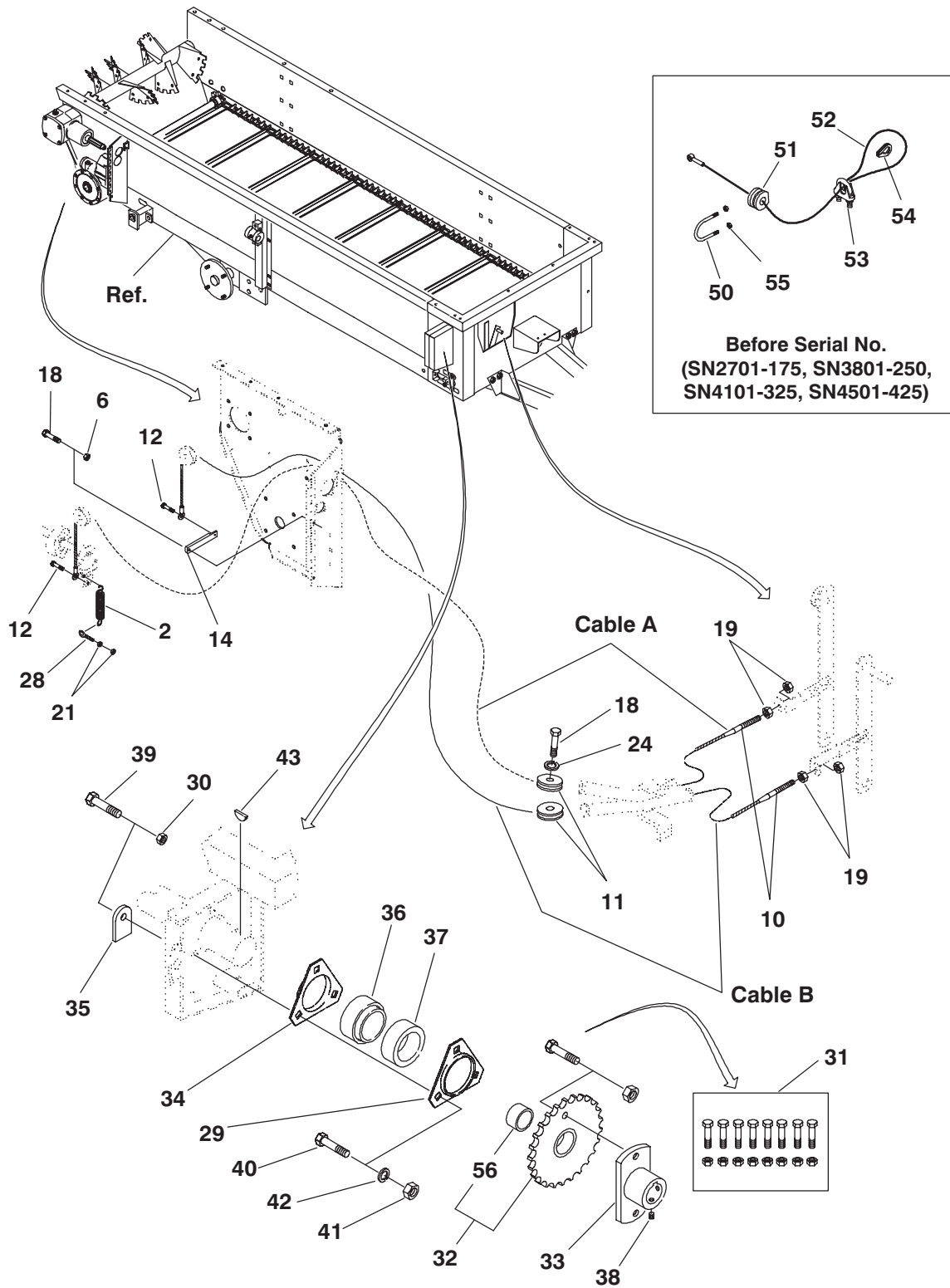
CONTROLS (MECHANICAL)



CONTROLS (MECHANICAL)

Ref. No.	Part No.	Description	Quantity			
			175	250	325	425
01	210-19470	NILN 5/16	6	6	6	6
02	6H130	BEARING/CONVEYOR PIVOT	1	1	1	1
03	H6053	SPACER/DEFL HOLD/DOWN	2	2	2	2
04	008322	PULLEY/NYLON	1	1	1	1
06	056336	SPRING/EXTENSION	1	1	1	1
07	062342	HTB 1/2X3-1/2	1	1	1	1
08	068034	NILN 1/2	1	1	1	1
09	069424	HINGE	1	1	1	1
10	070634	FLN 1/4	4	4	4	4
11	071701	LN 5/16	2	2	2	2
12	072916	FLS 1/4X3/4	4	4	4	4
13	076587	FLS 5/16X5/8	2	2	2	2
15	084550	SHAFT/PTO	1	1	1	1
16	084557	GUARD/DRIVE SPROCKET	1	1	1	1
17	118609	SPROCKET/60B21T	1	1	1	1
18	090532	LEVER/INDICATOR	1	1	1	1
		(AFTER SN2700-175, 3800-250, 4100-325, 4500-425)				
	087146	LEVER/INDICATOR	1	1	1	1
		(BEFORE SN2701-175, 3801-250, 4101-325, 4501-425)				
19	090534	LEVER/CONTROL	1	1	1	1
		(AFTER SN2700-175, 3800-250, 4100-325, 4500-425)				
	087143	LEVER/CONTROL	1	1	1	1
		(BEFORE SN2701-175, 3801-250, 4101-325, 4501-425)				
20	090536	BRACKET/ADJ INDICATOR	1	1	1	1
		(AFTER SN2700-175, 3800-250, 4100-325, 4500-425)				
22	090546	BRACKET/ADJ CONTROL	1	1	1	1
		(AFTER SN2700-175, 3800-250, 4100-325, 4500-425)				
23	090563	GUIDE/ASSY	1	1	1	1
		(AFTER SN2700-175, 3800-250, 4100-325, 4500-425)				
24	118610	SLEEVE (NEW STYLE) (2" LONG)	1	1	1	1
	115859	SLEEVE (OLD STYLE) (2.81" LONG)	1	1	1	1
25	520090	COLLAR/BEARING	1	1	1	1
26	520153	COLLAR/BEARING	1	1	1	1
28	650212	SHSS 3/8X3/8	2	2	2	2
29	650453	CS 1/2X1-1/2	8	8	8	8
30	650486	CS 5/16X3/4	2	2	2	2
32	650600	KEY/WOODRUFF 3/8X1	1	1	1	1
34	650733	CS 5/16X2-1/2	2	2	2	2
36	653018	HN 1/2	9	9	9	9
37	654004	FW 5/16	2	2	2	2
38	654006	FW 3/8	1	1	1	1
39	654009	FW 1/2	4	4	4	4
41	654030	LW 1/2	8	8	8	8
42	655048	CP 5/32X1-1/4	1	1	1	1
43	069387	BEARING/BALL	1	1	1	1
44	520089	BEARING/BALL	1	1	1	1
45	119493	CAP/VINYL	1	1	1	1
51	R13062	HOUSING/BEARING	2	2	2	2
53	570002	FITTING/GREASE	2	2	2	2

CONTROLS (MECHANICAL)

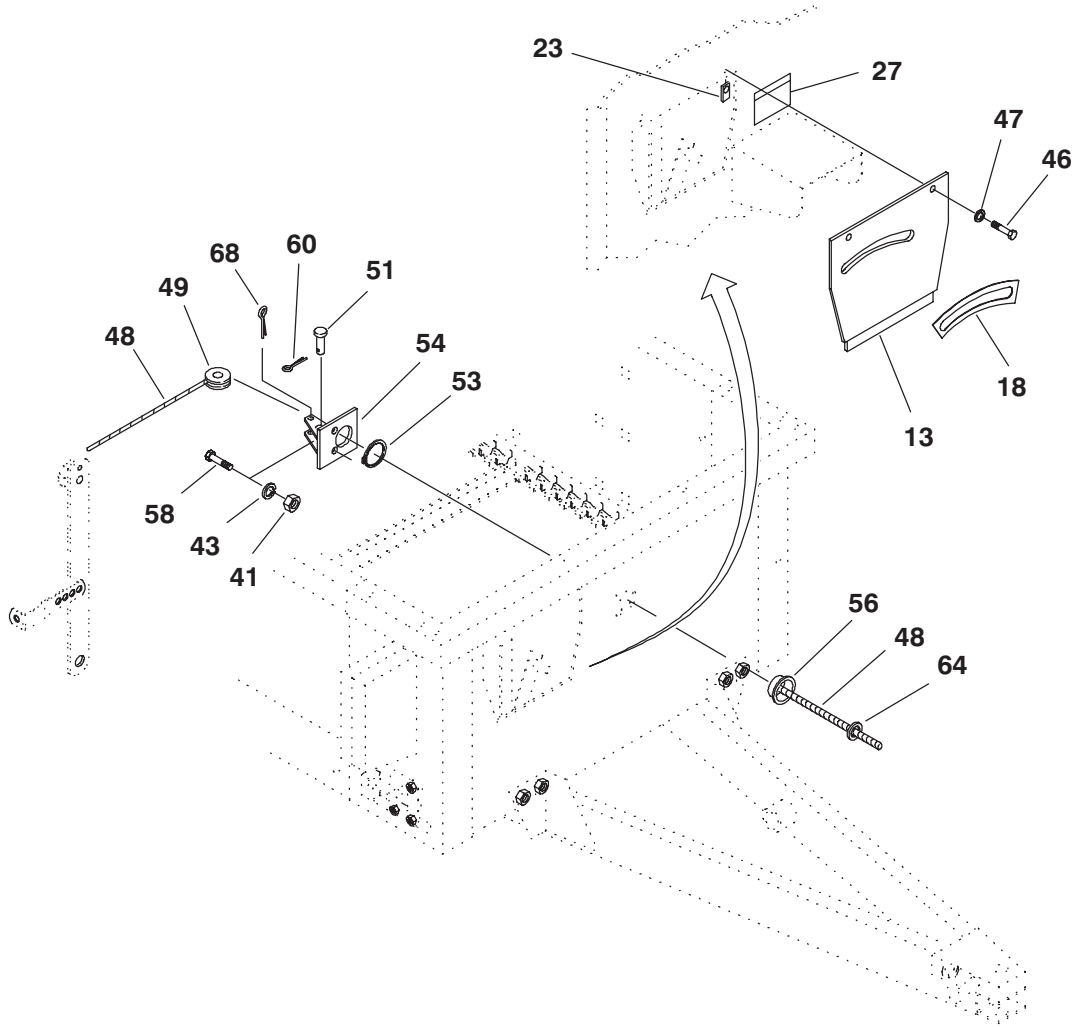


CONTROLS (MECHANICAL)

Ref. No.	Part No.	Description	Quantity			
			175	250	325	425
02	6H175	SPRING/CONV HOLD/DOWN	1	1	1	1
06	064260	NILN 5/16	1	1	1	1
10	090545	CABLE/ASSY	2	-	-	-
	090544	CABLE/ASSY	-	2	-	-
	090543	CABLE/ASSY	-	-	2	2
11	090559	PULLEY	2	2	2	2
12	090562	SCREW/HEX CAP	2	2	2	2
14	110090	LEVER/CAM INDICATOR	1	1	1	1
18	650545	CS 5/16X1-1/4	3	3	3	3
19	650546	HN 1/4	4	4	4	4
21	653007	HN 5/16	2	2	2	2
24	654024	LW 5/16	2	2	2	2
28	066172	BOLT/EYE	1	1	1	1
29	027003	RETAINER/BEARING	1	1	1	1
30	071700	LN 1/4	1	1	1	1
31	080079 _a	KIT/SHEAR BOLT	1	1	1	1
32	084465	SPROCKET/25T	1	1	1	1
33	084484	FLANGE/SHEAR ASSY	1	1	1	1
34	090538	FLANGETTE/62MM	1	1	1	1
		(AFTER SN2700-175, 3800-250, 4100-325, 4500-425)				
	066309	FLANGETTE/62MM	1	1	1	1
		(BEFORE SN2701-175, 3801-250, 4101-325, 4501-425)				
35	099978	PLATE	1	1	1	1
		(AFTER SN3100-175, 4200-250, 4400-325, 4800-425)				
36	520157	BEARING/BALL	1	1	1	1
37	520159	COLLAR/BEARING	1	1	1	1
38	650212	SHSS 3/8X3/8	2	2	2	2
39	650542	CS 1/4X1/2	1	1	1	1
40	650704	CB 3/8X1	3	3	3	3
41	653010	HN 3/8	3	3	3	3
42	654026	LW 3/8	3	3	3	3
43	655533	KEY/WOODRUFF 5/16X1	1	1	1	1
50	B11069	U-BOLT (BEFORE SN2701-175, 3801-250, 4101-325, 4501-425) ..	2	2	2	2
51	059721	GUIDE/ROPE	2	2	2	2
		(BEFORE SN2701-175, 3801-250, 4101-325, 4501-425)				
52	087168	CABLE (BEFORE SN2701-175, 3801-250, 4101-325, 4501-425) ..	2	2	2	2
53	056061	CLAMP/CABLE	2	2	2	2
		(BEFORE SN2701-175, 3801-250, 4101-325, 4501-425)				
54	053905	THIMBLE (BEFORE SN2701-175, 3801-250, 4101-325, 4501-425)	2	2	2	2
55	071701	LN 5/16 (BEFORE SN2701-175, 3801-250, 4101-325, 4501-425) ..	4	4	4	4
56	005423	BUSHING/BRONZE	1	1	1	1

a) Includes 8 Shear Bolts and Locknuts.

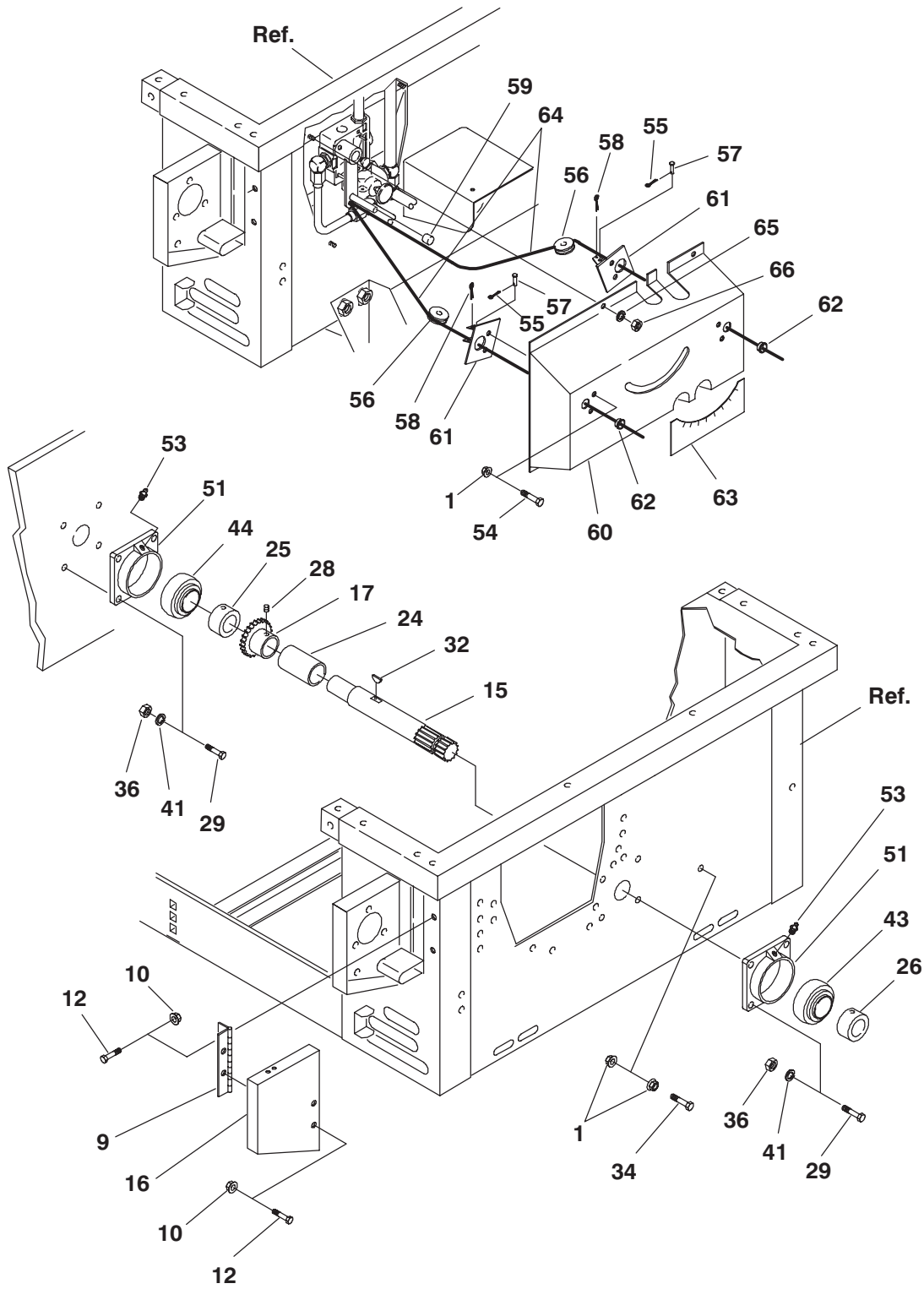
CONTROLS (MECHANICAL)



CONTROLS (MECHANICAL)

Ref. No.	Part No.	Description	Quantity			
			175	250	325	425
13	084555	COVER/PANEL FRONT	1	1	1	1
18	112625	DECAL/SPREADER CONTROL	1	1	1	1
23	090560	NUT/CAGE	2	2	2	2
27	093638	DECAL/DANGER ROTATING EXPELLER	1	1	1	1
41	653007	HN 5/16	2	2	2	2
43	654024	LW 5/16	2	2	2	2
46	650448	CS 1/4X3/4	2	2	2	2
47	654022	LW 1/4	2	2	2	2
48	001445	ROPE/CONTROL 3/16X192"	1	1	1	1
49	008322	PULLEY/NYLON	1	1	1	1
51	064239	PIN/YOKE	1	1	1	1
53	076161	RING/RETAINING	1	1	1	1
54	087149	MOUNT/PULLEY ASSY	1	1	1	1
56	200-32423	GUIDE/TWINE (LATER STYLE)	1	1	1	1
	088738	GUIDE/TWINE (EARLY STYLE)	1	1	1	1
58	650486	CS 5/16X3/4	2	2	2	2
60	650551	CP 3/32X3/4	1	1	1	1
64	654002	FW 1/4	1	1	1	1
68	650878	CP 5/32X1	1	1	1	1

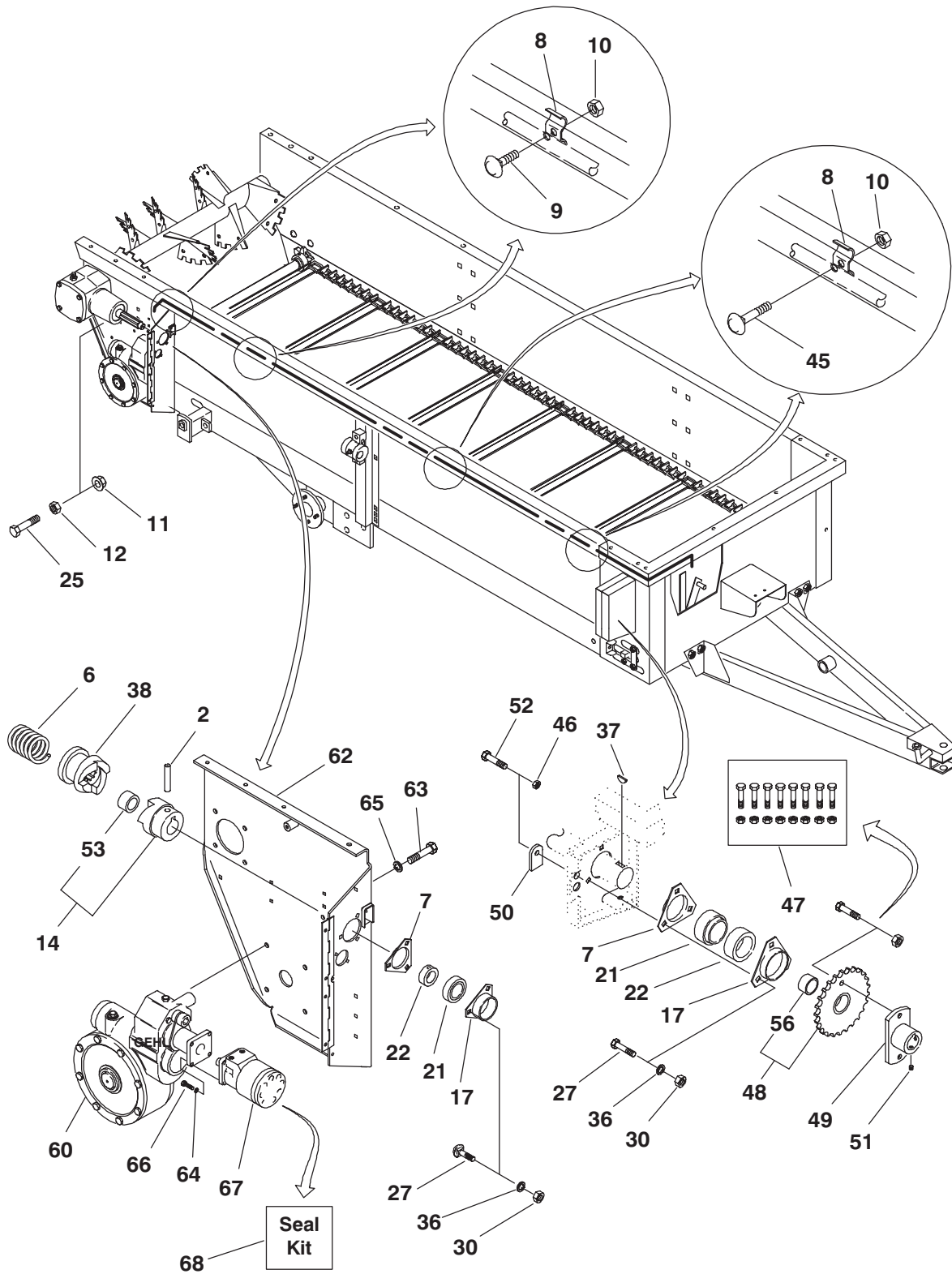
HYDRAULIC DRIVE CONTROLS



HYDRAULIC DRIVE CONTROLS

Ref. No.	Part No.	Description	Quantity			
			175	250	325	425
01	210-19470	FLN 5/16	6	6	6	6
09	069424	HINGE	1	1	1	1
10	070634	FLN 1/4	4	4	4	4
12	072916	FLS 1/4X3/4	4	4	4	4
15	084550	SHAFT/PTO	1	1	1	1
16	084557	GUARD/DRIVE SPROCKET	1	1	1	1
17	118609	SPROCKET/60B21T	1	1	1	1
24	118610	SLEEVE	1	1	1	1
25	520090	COLLAR/BEARING	1	1	1	1
26	520153	COLLAR/BEARING	1	1	1	1
28	650212	SHSS 3/8X3/8	2	2	2	2
29	650453	CS 1/2X1-1/2	8	8	8	8
32	650600	KEY/WOODRUFF 3/8X1	1	1	1	1
34	650733	CS 5/16X2-1/2	1	1	1	1
36	653018	HN 1/2	8	8	8	8
41	654030	LW 1/2	8	8	8	8
43	069387	BEARING/BALL	1	1	1	1
44	520089	BEARING/BALL	1	1	1	1
51	R13062	HOUSING/BEARING	2	2	2	2
53	570002	FITTING/GREASE	2	2	2	2
54	081380	FLS 5/16	4	4	4	4
55	650551	CP 3/32X3/4	2	2	2	2
56	008322	PULLEY/NYLON	2	2	2	2
57	064239	PIN/YOKE	2	2	2	2
58	650878	CP 5/32X1	2	2	2	2
59	119493	CAP/VINYL	1	1	1	1
60	098303	COVER/CONTROL	1	1	1	1
61	087149	MOUNT/PULLEY	2	2	2	2
62	088738	BUSHING/SNAP	2	2	2	2
63	112627	DECAL/SPREADER	1	1	1	1
64	094068	ROPE/360'	1	1	1	1
65	654024	LW 5/16	3	3	3	3
66	653007	HN 5/16	3	3	3	3

HYDRAULIC DRIVE CONTROLS



HYDRAULIC DRIVE CONTROLS

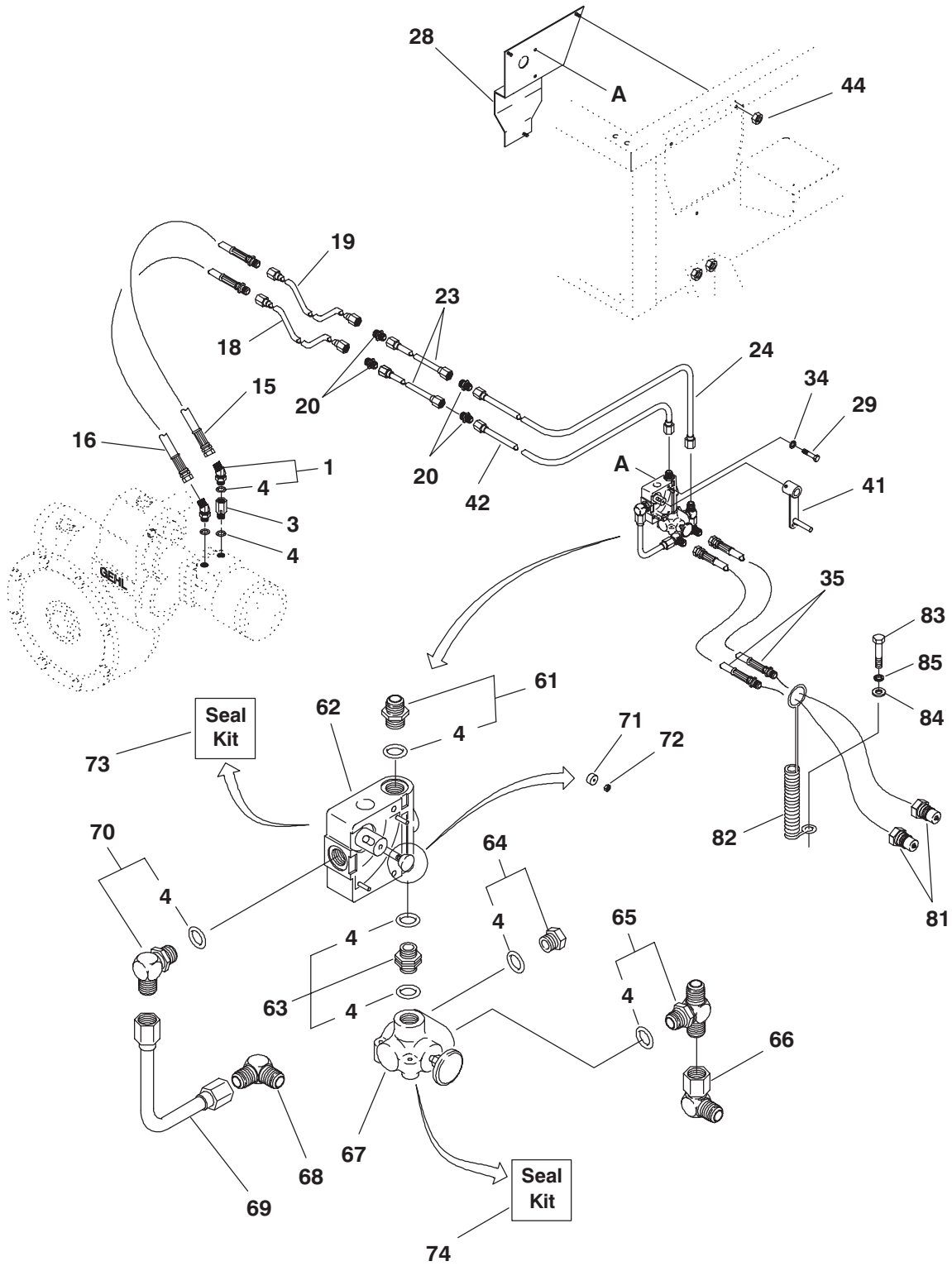
Ref. No.	Part No.	Description	Quantity			
			175	250	325	425
02	220-32521	PIN/SLOTTED SPRING	1	1	1	1
06	005347	SPRING/COMPRESSION.....	1	1	1	1
07	027003	RETAINER/BEARING	2	2	2	2
08	059453	CLAMP/TUBE	4	4	4	4
09	650781	CB 5/16X1-1/2	2	2	2	2
10	210-19470	NILN 5/16	4	4	4	4
11	070856	FLN 3/8	1	1	1	1
12	071703	LN 3/8	1	1	1	1
14	087007	CLUTCH/DRIVEN ASSY	1	1	1	1
17	090538	FLANGETTE/62MM	2	2	2	2
21	520157	BEARING/BALL	2	2	2	2
22	520159	COLLAR/BEARING	2	2	2	2
25	650492	CS 3/8X2-1/2	1	1	1	1
27	650704	CB 3/8X1	6	6	6	6
30	653010	HN 3/8	6	6	6	6
36	654026	LW 3/8	6	6	6	6
37	655533	KEY/WOODRUFF 5/16X1	1	1	1	1
38	087010	CLUTCH/DRIVER	1	1	1	1
45	652036	CB 5/16X2	2	2	2	2
46	071700	LN 1/4	1	1	1	1
47	080079 _a	KIT/SHEAR BOLT	1	1	1	1
48	084465	SPROCKET/ASSY	1	1	1	1
49	084484	FLANGE/SHEAR ASSY	1	1	1	1
50	099978	PLATE	1	1	1	1
51	650212	SHSS 3/8X3/8	2	2	2	2
52	650542	CS 1/4X1/2	1	1	1	1
53	008642	BUSHING/BRONZE	1	1	1	1
56	005423	BUSHING/BRONZE	1	1	1	1
60	093859 _b	TRANSMISSION/APRON	1	1	1	1
62	093808	PLATE/REINFORCENT	1	1	1	1
63	650495	CS 1/2X1-1/4	5	5	5	5
64	654026	LW 3/8	4	4	4	4
65	654030	LW 1/2	5	5	5	5
66	650490	CS 3/8X1	4	4	4	4
67	098805 _c	MOTOR/HYDRAULIC	1	1	1	1
68	094092	KIT/SEAL	1	1	1	1

a) Includes 8 Shear Bolts and Locknuts.

b) For further breakdown, see page entitled 'Transmission/Apron'.

c) For further breakdown, see page entitled 'Hydraulic Motor'.

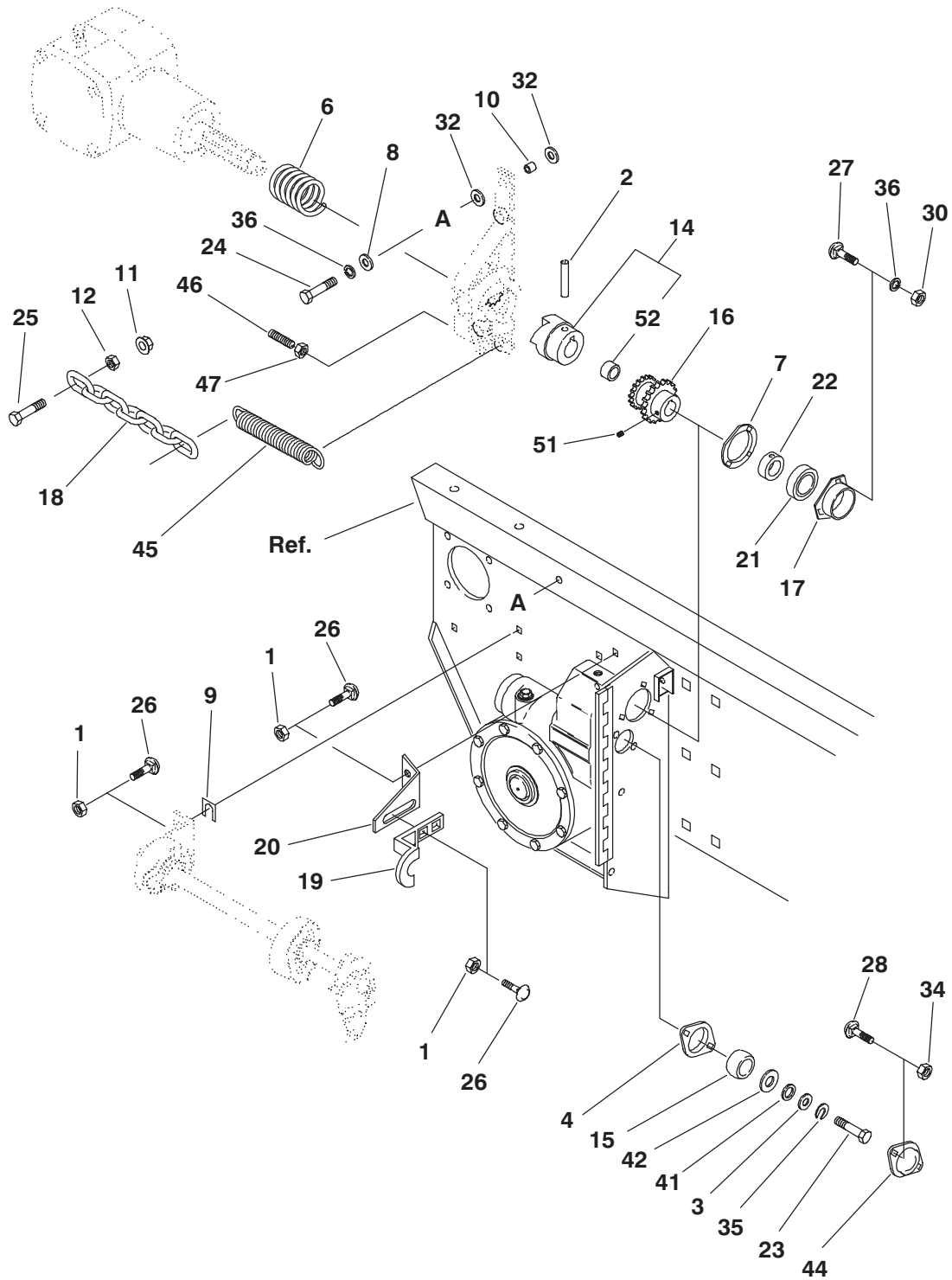
HYDRAULIC DRIVE CONTROLS



HYDRAULIC DRIVE CONTROLS

Ref. No.	Part No.	Description	Quantity			
			175	250	325	425
01	062397	ELBOW/HYD FITTING	2	2	2	2
03	098764	VALVE/HYDRAULIC	1	1	1	1
04	055898	O-RING	9	9	9	9
15	098762	HOSE/ASSY (28")	1	1	1	1
16	098761	HOSE/ASSY (35")	1	1	1	1
18	098311	TUBE/HYDRAULIC	1	1	1	1
19	098310	TUBE/HYDRAULIC	1	1	1	1
20	064664	UNION/HYDRAULIC	4	4	4	4
23	097172	TUBE/HYDRAULIC (28.62")	-	2	-	-
	098652	TUBE/HYDRAULIC (78.62")	-	-	2	2
24	098313	TUBE/HYDRAULIC	1	1	1	1
28	098304	BRACKET/VALVE ASSY	1	1	1	1
29	650449	CS 1/4X2-1/2	2	2	2	2
34	654022	LW 1/4	2	2	2	2
35	098763	HOSE/ASSY	2	2	2	2
41	093863	LEVER/CONTROL	1	1	1	1
42	098312	TUBE/HYDRAULIC	1	1	1	1
44	653034	HJN 5/16	3	3	3	3
61	072580	UNION/HYD FITTING	1	1	1	1
62	093810	VALVE/HYDRAULIC	1	1	1	1
63	093852	UNION/HYD FITTING	1	1	1	1
64	093851	PLUG/HYD FITTING	1	1	1	1
65	088044	TEE/HYD FITTING	1	1	1	1
66	065415	ELBOW/HYD FITTING	1	1	1	1
67	093853	VALVE/HYDRAULIC	1	1	1	1
68	056086	ELBOW/HYD FITTING	1	1	1	1
69	098610	TUBE/HYDRAULIC	1	1	1	1
70	067761	ELBOW/HYD FITTING	1	1	1	1
71	093898	BLOCK/FRICTION	1	1	1	1
72	650648	HN MS #10-32	1	1	1	1
73	071666	KIT/SEAL	1	1	1	1
74	071668	KIT/SEAL	1	1	1	1
81	056080	QUICK-DISCONNECT (MALE)	2	2	2	2
82	110032	SUPPORT/HYD HOSE	1	1	1	1
83	650821	CS 5/8X1	1	1	1	1
84	651150	FW 5/8	1	1	1	1
85	654032	LW 5/8	1	1	1	1

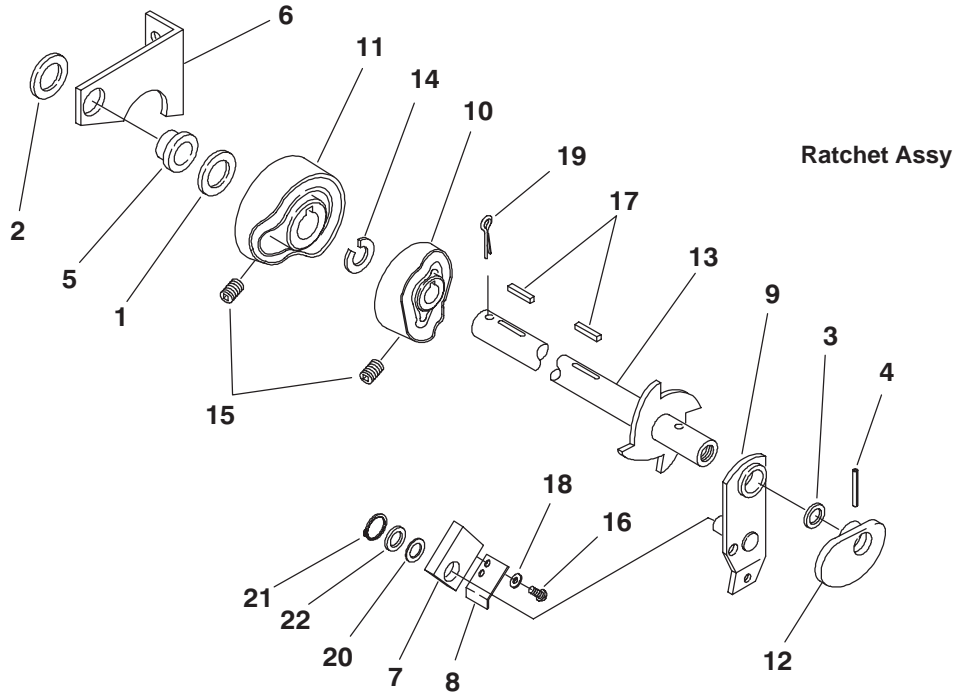
CLUTCH & DRIVE



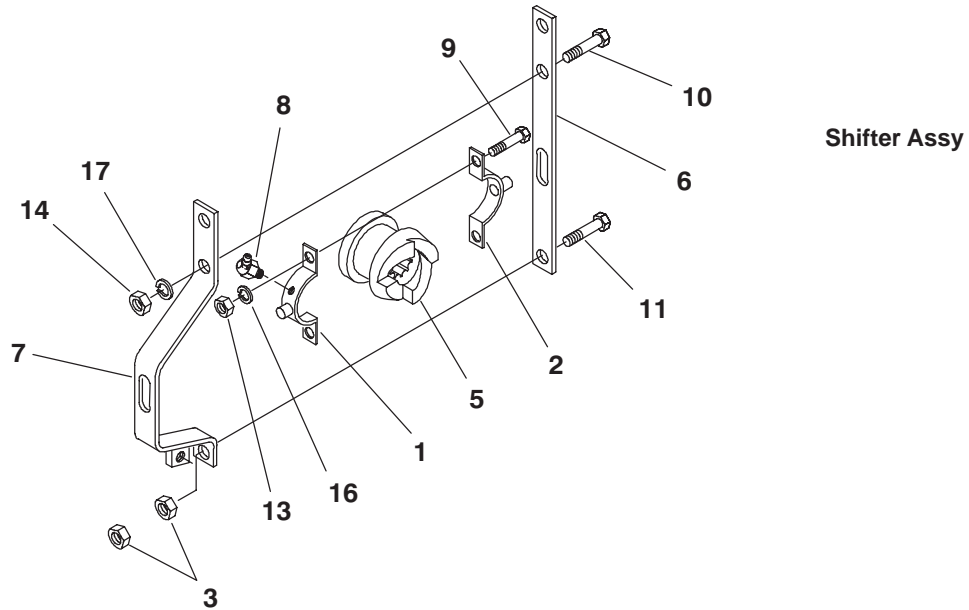
CLUTCH & DRIVE

Ref. No.	Part No.	Description	Quantity			
			175	250	325	425
01	210-19470	NILN 5/16	6	6	6	6
02	220-32521	PIN/SLOTTED SPRING	1	1	1	1
03	B11296	FW 11/32	1	1	1	1
04	H8365	RETAINER/BEARING	1	1	1	1
06	005347	SPRING/COMPRESSION	1	1	1	1
07	027003	RETAINER/BEARING	1	1	1	1
08	056937	FW 25/32	1	1	1	1
09	059692	SHIM	1	1	1	1
10	064953	SPACER	1	1	1	1
11	070856	FLN 3/8	1	1	1	1
12	071703	LN 3/8	1	1	1	1
14	087007	CLUTCH/DRIVEN	1	1	1	1
15	088857	CLUTCH/ASSY	1	1	1	1
16	089270	SPROCKET/14T & 17T (AFTER SN2700-175, 3800-250, 4100-325, 4500-425)	1	1	1	1
	084468	SPROCKET/18T (BEFORE SN2701-175, 3801-250, 4101-325, 4501-425)	1	1	1	1
17	090538	FLANGETTE/62MM (AFTER SN2700-175, 3800-250, 4100-325, 4500-425)	1	1	1	1
	066309	FLANGETTE/62MM (BEFORE SN2701-175, 3801-250, 4101-325, 4501-425)	1	1	1	1
18	090551	CHAIN	1	1	1	1
19	094957	TIGHTENER/CHAIN (AFTER SN2700-175, 3800-250, 4100-325, 4500-425)	1	1	1	1
	087121	TIGHTENER/CHAIN (BEFORE SN2701-175, 3801-250, 4101-325, 4501-425)	1	1	1	1
20	090554	BRACKET/CHAIN TIGHTENER (AFTER SN2700-175, 3800-250, 4100-325, 4500-425)	1	1	1	1
	054067	BRACKET/CHAIN TIGHTENER (BEFORE SN2701-175, 3801-250, 4101-325, 4501-425)	1	1	1	1
21	520157	BEARING/BALL	1	1	1	1
22	520159	COLLAR/BEARING	1	1	1	1
23	650486	CS 5/16X3/4	1	1	1	1
24	650491	CS 3/8X1-1/4	1	1	1	1
25	650492	CS 3/8X2-1/2	1	1	1	1
26	650573	CB 5/16X1	6	6	6	6
27	650704	CB 3/8X1	3	3	3	3
28	650758	CB 1/4X3/4	2	2	2	2
30	653010	HN 3/8	3	3	3	3
32	654006	FW 3/8	2	2	2	2
34	071401	NILN 1/4	2	2	2	2
35	654024	LW 5/16	1	1	1	1
36	654026	LW 3/8	4	4	4	4
41	B11162	FW 25/32	1	1	1	1
42	H8354	FW 25/32	1	1	1	1
44	094540	GUARD/SHAFT ASSY	1	1	1	1
45	076090	SPRING/EXTENSION	1	1	1	1
46	651224	SHSS 3/8X2	1	1	1	1
47	653038	HJN 3/8	1	1	1	1
51	650203	SHSS 5/16X3/8	2	2	2	2
52	008642	BUSHING/BRONZE	1	1	1	1

DRIVE COMPONENTS



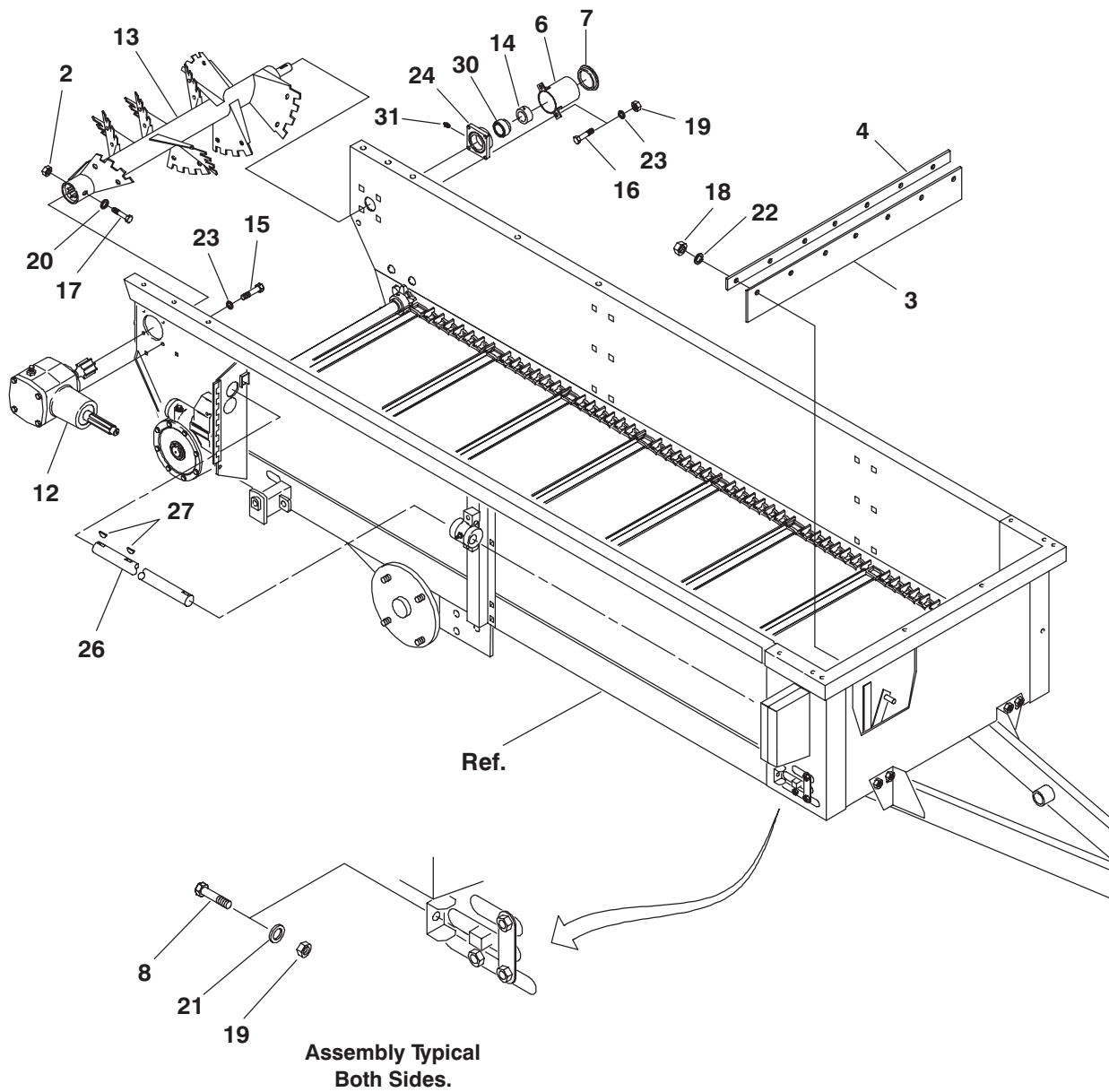
Ref. No.	Part No.	Description	Quantity			
			175	250	325	425
01	6H154	FW 25/32	6	6	6	6
02	H8354	FW 25/32	1	1	1	1
03	B11162	FW 25/32	1	1	1	1
04	057864	PIN/SPRING	1	1	1	1
05	064963	BUSHING	1	1	1	1
06	087136	BRACKET	1	1	1	1
07	087137	PAWL	1	1	1	1
08	087138	SPRING/TENSION	1	1	1	1
09	090522	HANDLE (AFTER SN2700-175, 3800-250, 4100-325, 4500-425)	1	1	1	1
	089295	HANDLE (BEFORE SN2701-175, 3801-250, 4101-325, 4501-425)	1	1	1	1
10	090525	CAM/2-SPEED (AFTER SN2700-175, 3800-250, 4100-325, 4500-425)	1	1	1	1
	087127	CAM/2-SPEED (BEFORE SN2701-175, 3801-250, 4101-325, 4501-425)	1	1	1	1
11	090527	CAM/BEATER CONTROL (AFTER SN2700-175, 3800-250, 4100-325, 4500-425)	1	1	1	1
	087126	CAM/BEATER CONTROL (BEFORE SN2701-175, 3801-250, 4101-325, 4501-425)	1	1	1	1
12	090528	CAM (AFTER SN2700-175, 3800-250, 4100-325, 4500-425)	1	1	1	1
	087128	CAM (BEFORE SN2701-175, 3801-250, 4101-325, 4501-425)	1	1	1	1
13	112134	SHAFT (AFTER SN2700-175, 3800-250, 4100-325, 4500-425)	1	1	1	1
	087123	SHAFT (BEFORE SN2701-175, 3801-250, 4101-325, 4501-425)	1	1	1	1
14	540035	RING/RETAINING	1	1	1	1
15	650201	SHSS 5/16X5/16	4	4	4	4
16	650284	RHMS#10-24X1/4	2	2	2	2
17	004942	KEY/SQUARE	2	2	2	2
18	650549	LW #10	2	2	2	2
19	655048	CP 5/32X1-1/4	1	1	1	1
20	058807	FW 17/32	1	1	1	1
21	067416	RING/RETAINER	1	1	1	1
22	400-21033	FW 1/2	1	1	1	1



Shifter Assy

Ref. No.	Part No.	Description	Quantity			
			175	250	325	425
01	D936	CLAMP/SHIFTER RT	1	1	1	1
02	D937	CLAMP/SHIFTER LT	1	1	1	1
03	071703	LN 3/8	2	2	2	2
05	087010	CLUTCH/DRIVER	1	1	1	1
06	090548	LEVER/RIGHT	1	1	1	1
		(AFTER SN2700-175, 3800-250, 4100-325, 4500-425)				
	087156	LEVER/RIGHT	1	1	1	1
		(BEFORE SN2701-175, 3801-250, 4101-325, 4501-425)				
07	090549	LEVER/LEFT	1	1	1	1
		(AFTER SN2700-175, 3800-250, 4100-325, 4500-425)				
	087153	LEVER/LEFT	1	1	1	1
		(BEFORE SN2701-175, 3801-250, 4101-325, 4501-425)				
08	570005	FITTING/GREASE	1	1	1	1
09	650487	CS 5/16X1	2	2	2	2
10	650490	CS 3/8X1	1	1	1	1
11	650533	CS 3/8X1-1/2	1	1	1	1
13	653007	HN 5/16	2	2	2	2
14	653010	HN 3/8	1	1	1	1
16	654024	LW 5/16	2	2	2	2
17	654026	LW 3/8	1	1	1	1

BEATER & DRIVE

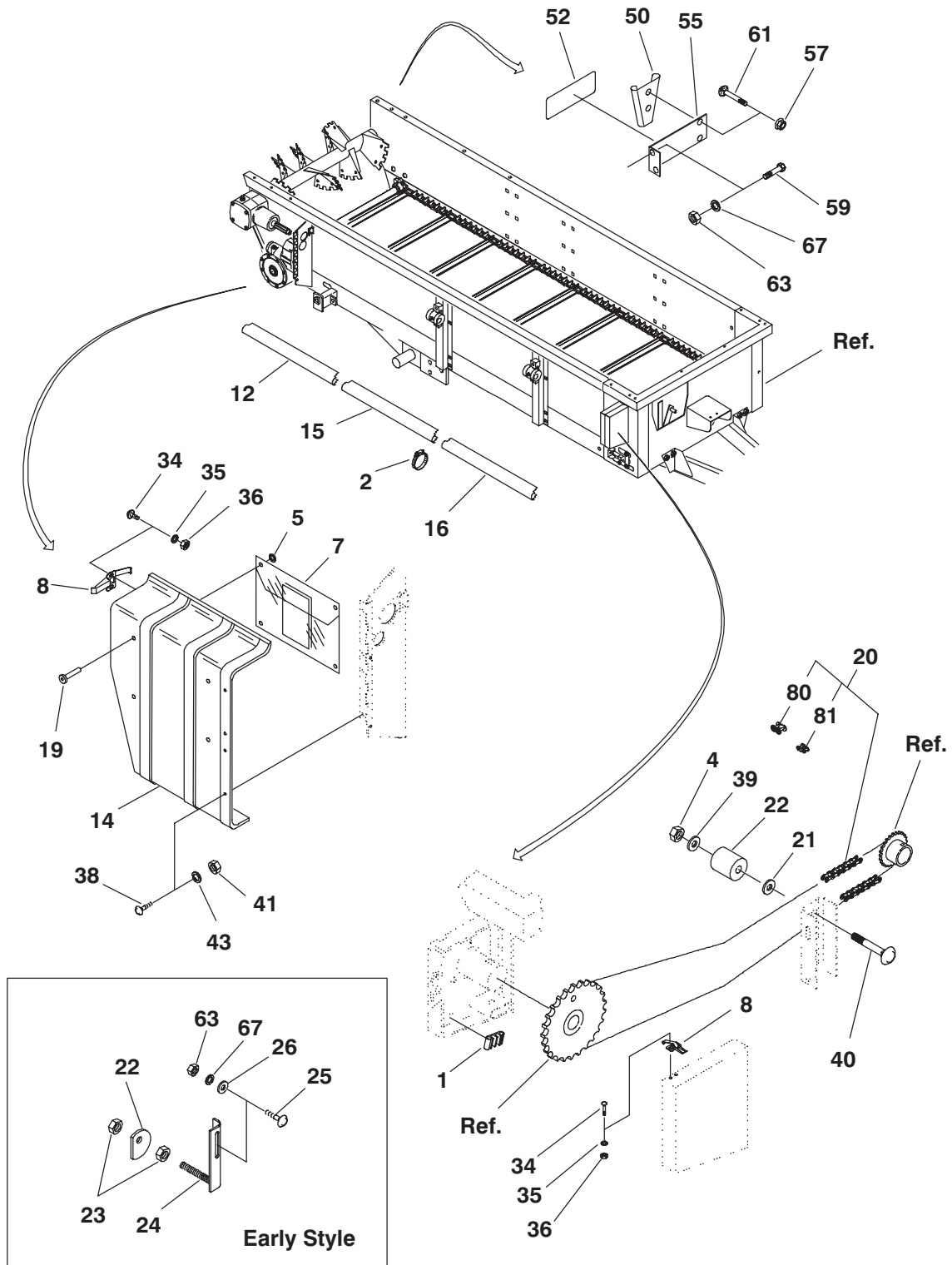


BEATER & DRIVE

Ref. No.	Part No.	Description	Quantity			
			175	250	325	425
02	210-31017	FLN 5/16	1	1	1	1
03	003988	FLAP/RUBBER	1	1	1	1
04	004014	STRIP/BACKING	1	1	1	1
06	005844	GUARD	1	1	1	1
07	052466	PLUG/AUGER CAP	1	1	1	1
08	061937	HTB 1/2X5-1/2	2	2	2	2
12	089597 _a	TRANSMISSION/BEATER (LATER STYLE)	1	1	1	1
	084258 _a	TRANSMISSION/BEATER (EARLY STYLE)	1	1	1	1
13	089868	BEATER/ASSY	1	1	1	1
14	520090	COLLAR/BEARING	1	1	1	1
15	650495	CS 1/2X1-1/4	4	4	4	4
16	650569	CS 1/2X1-3/4	4	4	4	4
17	650789	CS 5/16X4-1/2	1	1	1	1
18	653007	HN 5/16	8	8	8	8
19	653018	HN 1/2	8	8	8	8
20	654004	FW 5/16	1	1	1	1
21	654009	FW 1/2	4	4	4	4
22	654024	LW 5/16	8	8	8	8
23	654030	LW 1/2	8	8	8	8
24	R13062	BEARING ASSY	1	1	1	1
26	084558	SHAFT/DRIVE	1	-	-	-
	084566	SHAFT/DRIVE	-	1	-	-
	084573	SHAFT/DRIVE	-	-	1	1
27	655533	KEY/WOODRUFF 5/16X1	2	2	2	2
30	520089	BEARING/BALL	1	1	1	1
31	570002	FITTING/GREASE	1	1	1	1

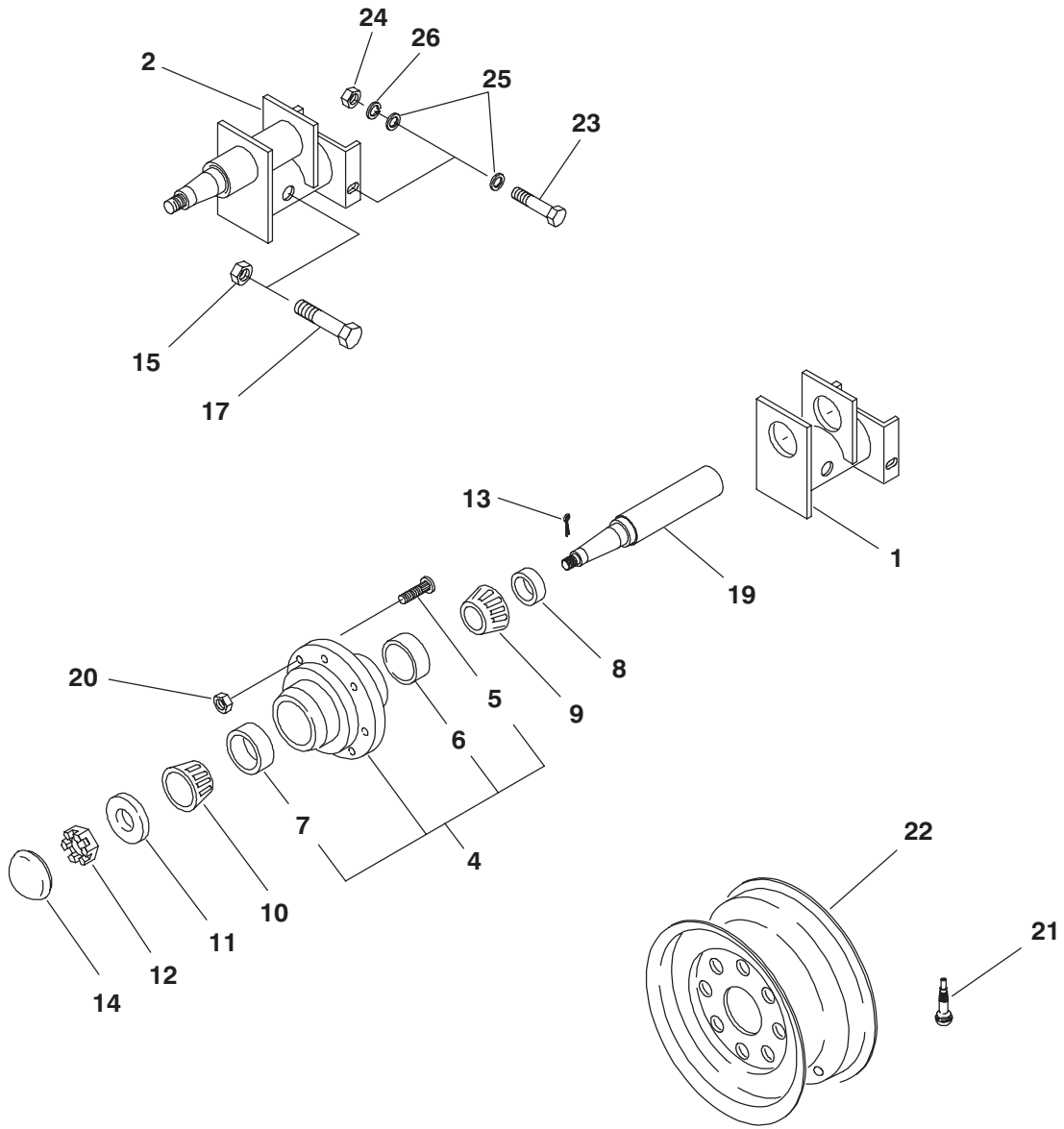
a) For further breakdown, see page entitled 'Transmission/Beater'.

GUARDS



Ref. No.	Part No.	Description	Quantity			
			175	250	325	425
01	059272	HOLDER/SHEAR BOLT	1	1	1	1
02	061166	CLAMP/HOSE	4	6	8	8
04	068034	NILN 1/2	1	1	1	1
05	068642	FW 11/64	4	4	4	4
07	078580	POUCH/MANUAL	1	1	1	1
08	079878	LATCH	2	2	2	2
12	084552	GUARD/REAR	1	1	1	1
14	084556	GUARD/TRANSMISSION	1	1	1	1
15	084564	GUARD/CENTER	-	1	1	-
	090872	GUARD/CENTER	-	-	-	1
16	084551	GUARD/FRONT	1	-	-	-
	084563	GUARD/FRONT	-	1	-	-
	084572	GUARD/FRONT	-	-	1	1
19	075274	RIVET/BLIND	4	4	4	4
20	089540	CHAIN/ROLLER #60X115 LINKS	1	1	1	1
21	654012	FW 5/8	1	1	1	1
22	090558	TIGHTENER/CHAIN	1	1	1	1
	006309	RING/STEEL TIGHTENER (EARLY STYLE)	1	1	1	1
23	653047	HJN 5/8 (EARLY STYLE)	2	2	2	2
24	005214	BRACKET/TIGHTENER (EARLY STYLE)	1	1	1	1
25	650704	CB 3/8X1 (EARLY STYLE)	2	2	2	2
26	654006	FW 3/8 (EARLY STYLE)	2	2	2	2
34	650548	RHMS#10-24X1/2	4	4	4	4
35	650549	LW #10	4	4	4	4
36	650550	HN MS #10-24	4	4	4	4
38	650948	THMS 5/16X5/8	4	4	4	4
39	651148	FW 1/2	1	1	1	1
40	652087	CB 1/2X3	1	1	1	1
41	653007	HN 5/16	4	4	4	4
43	654024	LW 5/16	4	4	4	4
50	047269	SOCKET/SIGN MOUNTING	1	1	1	1
52	067493	REFLECTOR/RED	1	1	1	1
55	087762	BRACKET/SMV	1	1	1	1
57	210-19470	FLN 5/16	2	2	2	2
59	650490	CS 3/8X1	2	2	2	2
61	650687	CB 5/16X3/4	2	2	2	2
63	653010	HN 3/8	4	4	4	4
67	654026	LW 3/8	4	4	4	4
80	500160	LINK/CONNECTOR	1	1	1	1
81	500161	LINK/OFFSET	1	1	1	1

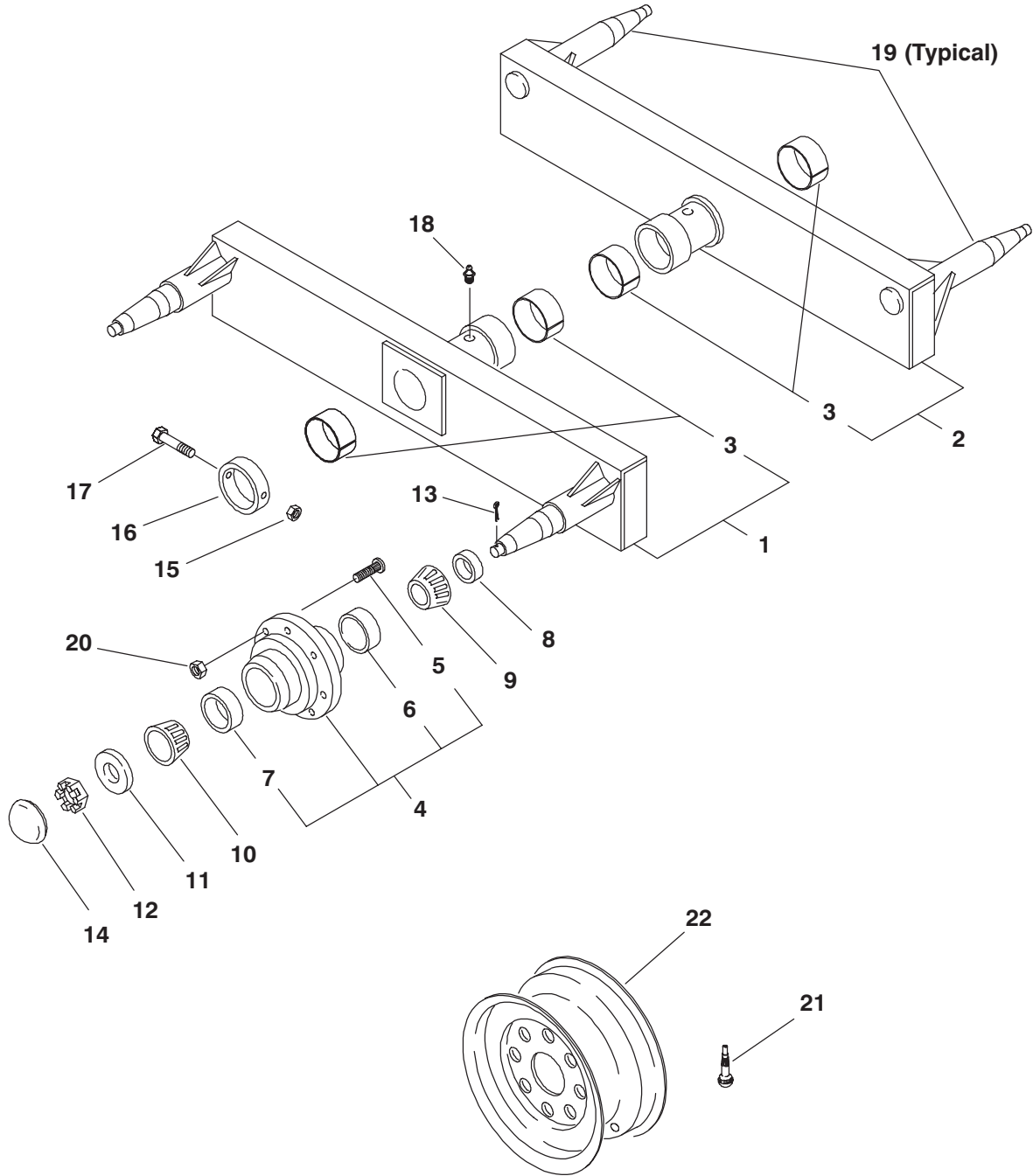
SINGLE AXLE (MS175 & 250)



SINGLE AXLE (MS175 & 250)

Ref. No.	Part No.	Description	Quantity	
			175	250
01	089766	SUPPORT/SINGLE AXLE	-	2
02	089799	AXLE/SINGLE	-	2
04	083100	HUB/WHEEL	2	-
	083106	HUB/WHEEL	-	2
05	078657	BOLT/WHEEL	16	-
	083107	BOLT/WHEEL	-	16
06	520213	CUP/BEARING	2	-
	520013	CUP/BEARING	-	2
07	520054	CUP/BEARING	2	-
	042162	CUP/BEARING	-	2
08	604328	SEAL/GREASE	2	-
	083109	SEAL/GREASE	-	2
09	520214	CONE/BEARING	2	-
	083108	CONE/BEARING	-	2
10	520201	CONE/BEARING	2	-
	042163	CONE/BEARING	-	2
11	066717	WASHER	2	-
	003943	WASHER	-	2
12	653102	HN/SLOTTED 7/8"	2	2
	650933	HN/SLOTTED 1"	2	2
13	655020	CP 3/16X1-1/2	2	-
	655024	CP 3/16X2	-	2
14	058421	CAP/GREASE	2	-
	003938	CAP/HUB	-	2
15	071706	LN 1/2	-	2
17	650497	CS 1/2X5-1/2	-	2
19	084309	SPINDLE	2	-
	089800	SPINDLE	-	2
20	079152	NUT/WHEEL	16	16
21	045581	VALVE/TIRE	2	2
22	112443	WHEEL W11C-16.1	-	2
	112444	WHEEL W8B-20	2	2
23	650491	CS 3/8X1-1/4	-	2
24	653010	HN 3/8	-	2
25	654006	FW 3/8	-	2
26	654026	LW 3/8	-	2

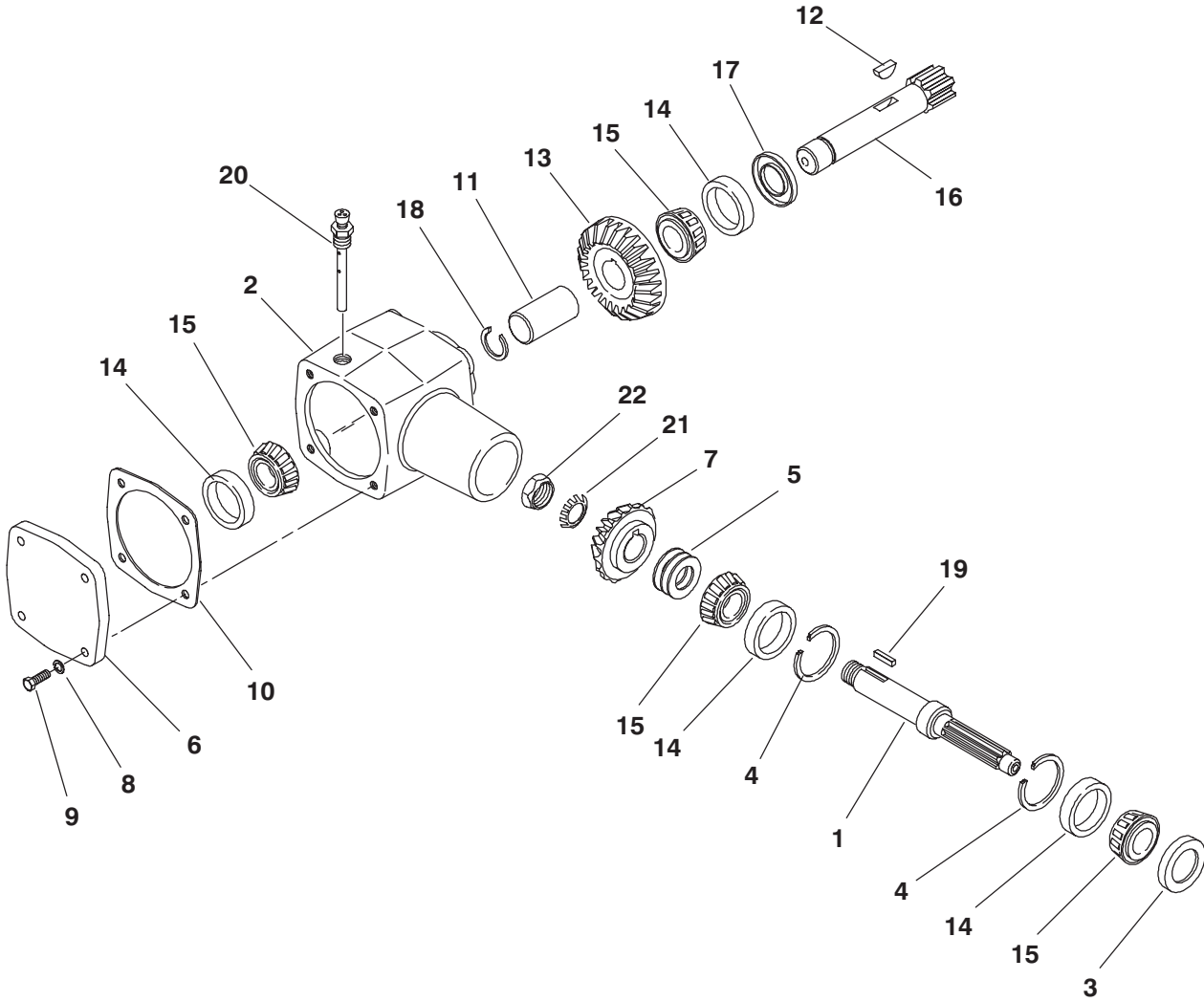
TANDEM AXLE (MS250, 325 & 425)



TANDEM AXLE (MS250, 325 & 425)

Ref. No.	Part No.	Description	Quantity		
			250	325	425
01	094477	AXLE/TANDEM RT (AFTER SN5500-250, 5200-325)	1	1	-
	115517	AXLE/TANDEM RT (BEFORE SN5501-250, 5201-325)	1	1	-
	094286	AXLE/TANDEM RT (AFTER SN5400-425)	-	-	1
	115478	AXLE/TANDEM RT (BEFORE SN5401-425)	-	-	1
02	094478	AXLE/TANDEM LT (AFTER SN5500-250, 5200-325)	1	1	-
	115518	AXLE/TANDEM LT (BEFORE SN5501-250, 5201-325)	1	1	-
	094287	AXLE/TANDEM LT (AFTER SN5400-425)	-	-	1
	115479	AXLE/TANDEM LT (BEFORE SN5401-425)	-	-	1
03	094275	BEARING (AFTER SN5500-250, 5200-325, 5400-425)	4	4	4
04	083100	HUB	4	4	-
	003937	HUB	-	-	4
05	078657	BOLT/WHEEL	32	32	32
06	520213	CUP/BEARING	4	4	-
	004375	CUP/BEARING	-	-	4
07	520054	CUP/BEARING	4	4	-
	042162	CUP/BEARING	-	-	4
08	604328	SEAL/GREASE	4	4	-
	003939	SEAL/GREASE	-	-	4
09	520214	CONE/BEARING	4	4	-
	003940	CONE/BEARING	-	-	4
10	520201	CONE/BEARING	4	4	-
	042163	CONE/BEARING	-	-	4
11	066717	FW 31/32	4	4	-
	003943	FW 31/32	-	-	4
12	653102	HN SLOTTED 7/8	4	4	-
	650933	HN SLOTTED 1	-	-	4
13	655020	CP 3/16X1-1/2	4	4	-
	655024	CP 3/16X2	-	-	4
14	058421	CAP/GREASE	4	4	-
	003938	CAP/GREASE	-	-	4
15	071706	LN 1/2	2	2	2
16	088485	COLLAR/TANDEM	2	2	2
17	650497	CS 1/2X5-1/2	2	2	2
18	570004	FITTING/GREASE	2	2	-
	570002	FITTING/GREASE	-	-	2
19	081280	SPINDLE	4	4	-
	115428	SPINDLE	-	-	4
20	079152	NUT/WHEEL	32	32	32
21	045581	VALVE/TIRE	4	4	4
22	112444	WHEEL W8B-20	4	4	4
	112443	WHEEL W11C-16.1	4	4	4

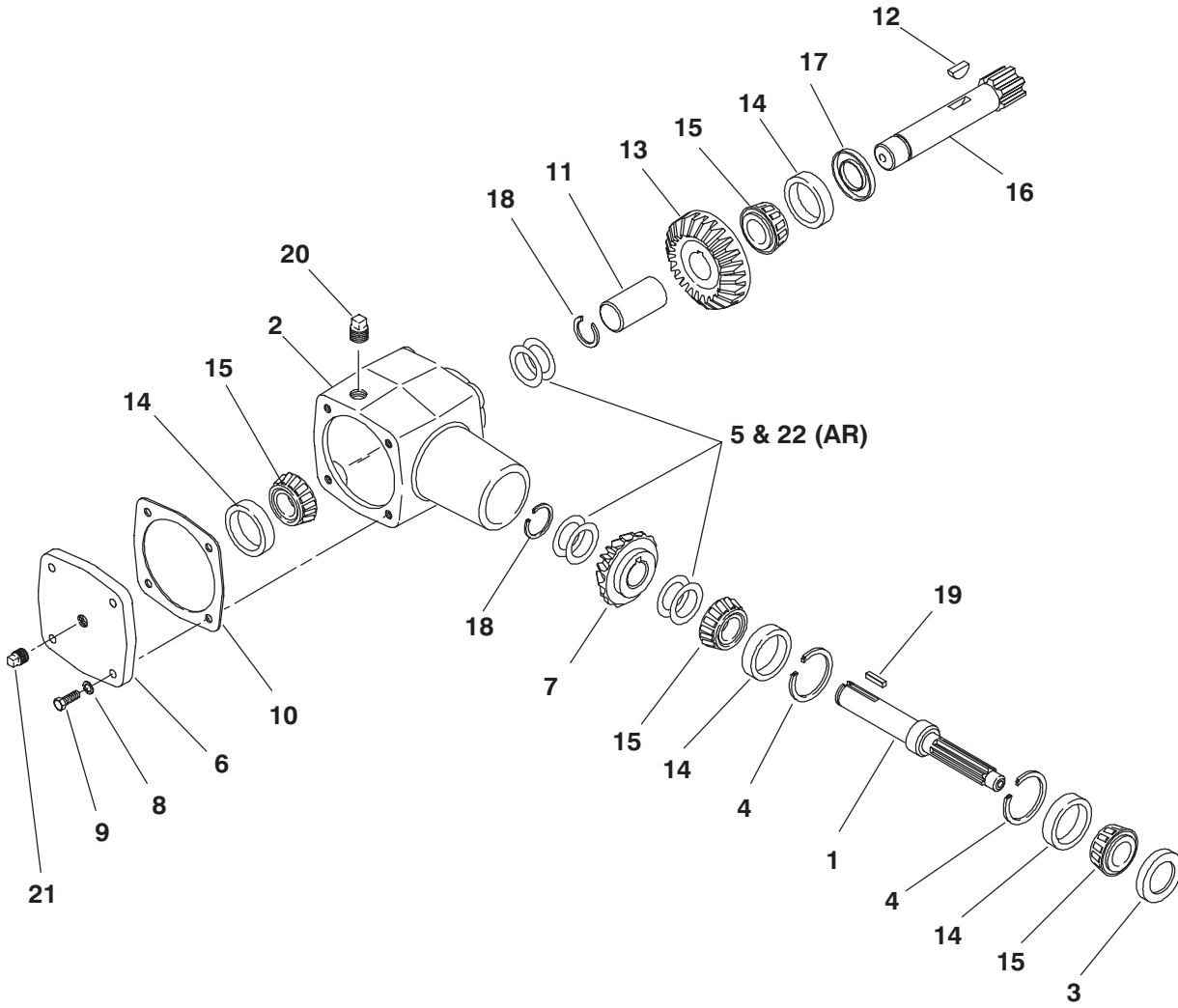
TRANSMISSION/BEATER (LATER STYLE)



TRANSMISSION/BEATER (LATER STYLE)

Ref. No.	Part No.	Description	Quantity			
			175	250	325	425
	089597	BEATER TRANSMISSION	1	1	1	1
		CONSISTS OF:				
01	089598	SHAFT/INPUT	1	1	1	1
02	089599	HOUSING/TRANSMISSION	1	1	1	1
03	060100	SEAL/OIL	1	1	1	1
04	054155	RING/RETAINING	2	2	2	2
05	077657	WASHER/SHIM	AR	AR	AR	AR
06	084263	COVER	1	1	1	1
07	084266	GEAR/BEVEL 17T	1	1	1	1
08	654026	LW 3/8	4	4	4	4
09	650490	CS 3/8X1	4	4	4	4
10	084267	GASKET	1	1	1	1
11	084268	SLEEVE	1	1	1	1
12	655537	KEY/WOODRUFF 5/16X1-1/4	1	1	1	1
13	084269	GEAR/BEVEL 23T	1	1	1	1
14	520162	CUP/BEARING	4	4	4	4
15	520039	CONE/BEARING	4	4	4	4
16	089600	SHAFT/OUTPUT	1	1	1	1
17	077654	SEAL/OIL	1	1	1	1
18	540016	RING/RETAINING	1	1	1	1
19	066160	KEY/SQUARE	1	1	1	1
20	089601	DIPSTICK/ASSY	1	1	1	1
21	520155	WASHER/LOCK	1	1	1	1
22	520154	NUT/LOCK	1	1	1	1

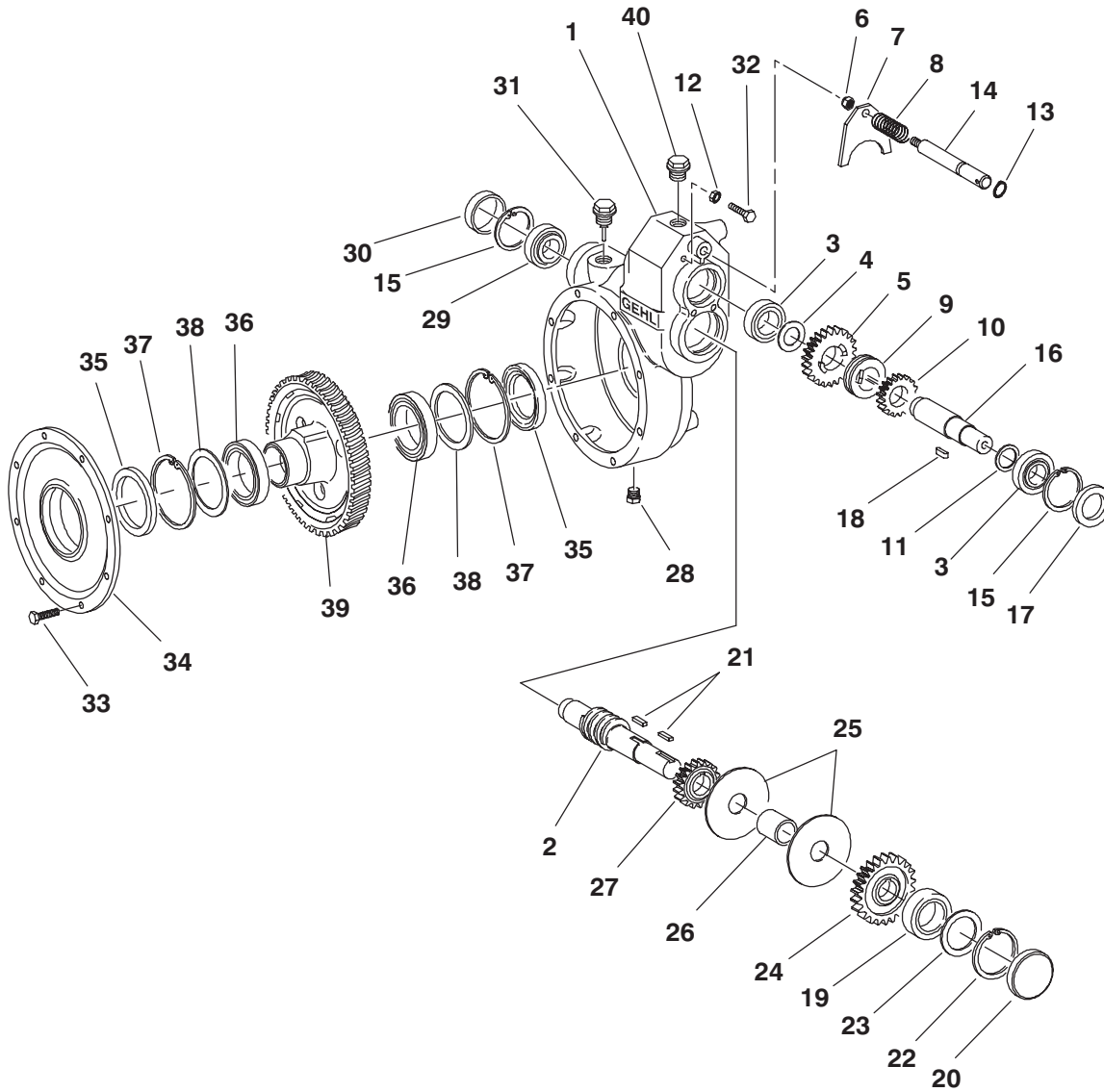
TRANSMISSION/BEATER (EARLY STYLE)



TRANSMISSION/BEATER (EARLY STYLE)

Ref. No.	Part No.	Description	Quantity			
			175	250	325	425
	084258	BEATER TRANSMISSION	1	1	1	1
		CONSISTS OF:				
01	084259	SHAFT/INPUT	1	1	1	1
02	084261	HOUSING/TRANSMISSION	1	1	1	1
03	060100	SEAL/OIL	1	1	1	1
04	540025	RING/RETAINING	2	2	2	2
05	077657	WASHER/SHIM	AR	AR	AR	AR
06	084263	COVER	1	1	1	1
07	084266	GEAR/BEVEL 17T	1	1	1	1
08	654026	LW 3/8	4	4	4	4
09	650490	CS 3/8X1	4	4	4	4
10	084267	GASKET	1	1	1	1
11	084268	SLEEVE	1	1	1	1
12	655537	KEY/WOODRUFF 5/16X1-1/4	1	1	1	1
13	084269	GEAR/BEVEL 23T	1	1	1	1
14	520162	CUP/BEARING	4	4	4	4
15	520039	CONE/BEARING	4	4	4	4
16	084260	SHAFT/OUTPUT	1	1	1	1
17	077654	SEAL/OIL	1	1	1	1
18	540016	RING/RETAINING	2	2	2	2
19	066160	KEY/SQUARE	1	1	1	1
20	660004	PLUG/PIPE 1/2 SQ HD	1	1	1	1
21	650517	PLUG/PIPE HS 1/4	1	1	1	1
22	069370	FW 1-13/32	AR	AR	AR	AR

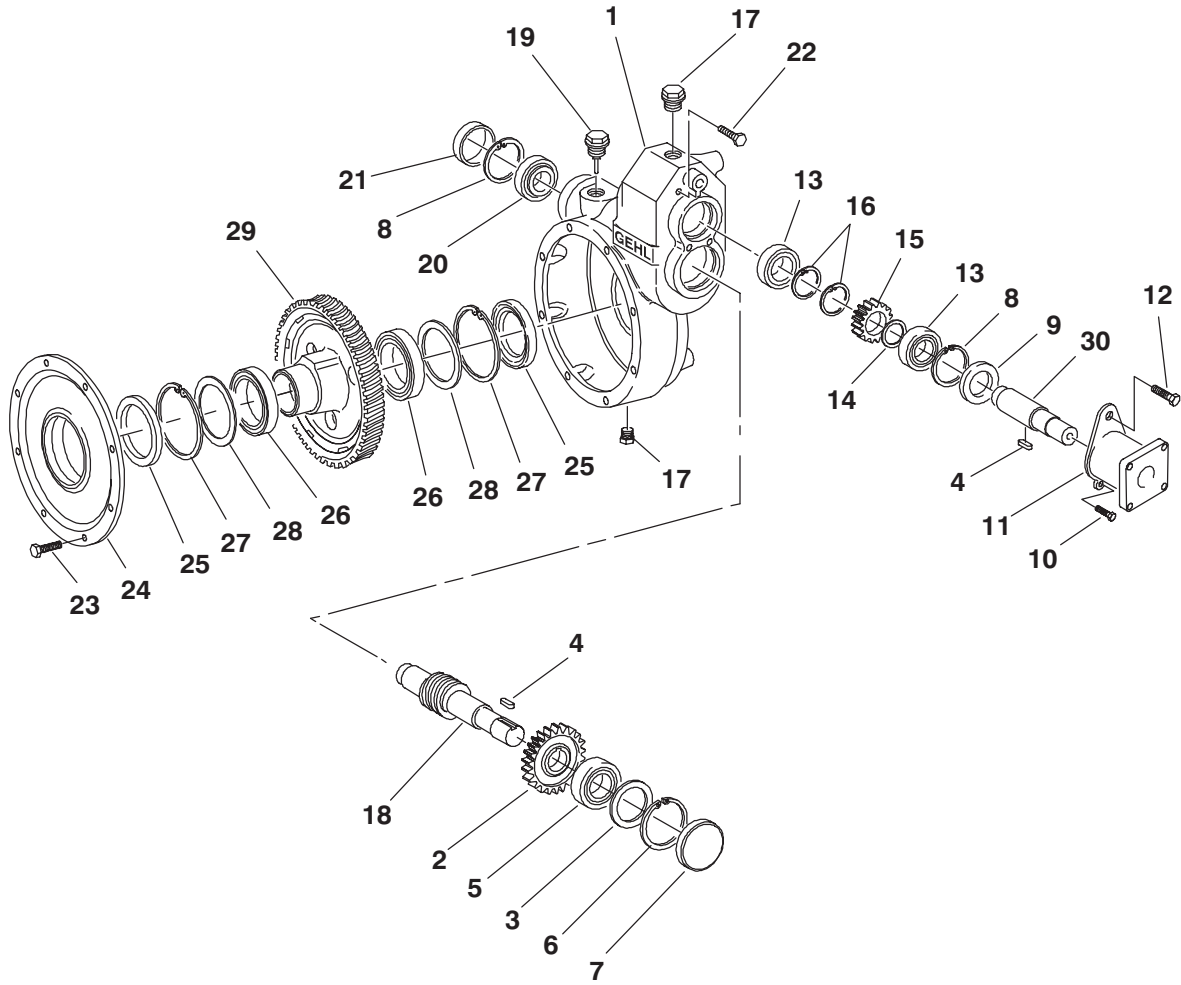
TRANSMISSION/APRON (MECHANICAL)



TRANSMISSION/APRON (MECHANICAL)

Ref. No.	Part No.	Description	Quantity			
			175	250	325	425
	084334	APRON TRANSMISSION	1	1	1	1
		CONSISTS OF:				
01	089114	CASTING/TRANSMISSION HOUSING	1	1	1	1
02	089115	GEAR/WORM SCREW	1	1	1	1
03	089116	BEARING	2	2	2	2
04	089117	SPACER	1	1	1	1
05	089118	GEAR	1	1	1	1
06	071246	LN M10	1	1	1	1
07	089119	FORK	1	1	1	1
08	089120	SPRING	1	1	1	1
09	089121	BUSHING	1	1	1	1
10	089122	GEAR	1	1	1	1
11	089123	KIT/SHIM	1	1	1	1
12	656048	HN M8	1	1	1	1
13	089124	RING/SNAP	1	1	1	1
14	089125	ROD/GEAR SELECTOR	1	1	1	1
15	089126	RING/SNAP	2	2	2	2
16	089127	SHAFT	1	1	1	1
17	089128	SEAL/OIL	1	1	1	1
18	089129	KEY/PARALLEL	1	1	1	1
19	089130	BEARING	1	1	1	1
20	089131	CAP	1	1	1	1
21	089132	KEY/PARALLEL	2	2	2	2
22	089133	RING/SNAP	1	1	1	1
23	089134	KIT/SHIM	1	1	1	1
24	089135	GEAR	1	1	1	1
25	089136	SPACER	2	2	2	2
26	089137	SPACER	1	1	1	1
27	089138	GEAR	1	1	1	1
28	089139	PLUG 1/2"	1	1	1	1
29	089140	BEARING	1	1	1	1
30	089141	CAP	1	1	1	1
31	089142	DIPSTICK	1	1	1	1
32	089143	BOLT M8X55	1	1	1	1
33	656007	BOLT M8X25	8	8	8	8
34	089144	COVER	1	1	1	1
35	089145	SEAL/OIL	2	2	2	2
36	089146	BEARING	2	2	2	2
37	089147	RING/SNAP	2	2	2	2
38	089148	KIT/SHIM	2	2	2	2
39	089149	GEAR	1	1	1	1
40	090070	PLUG/VENT	1	1	1	1

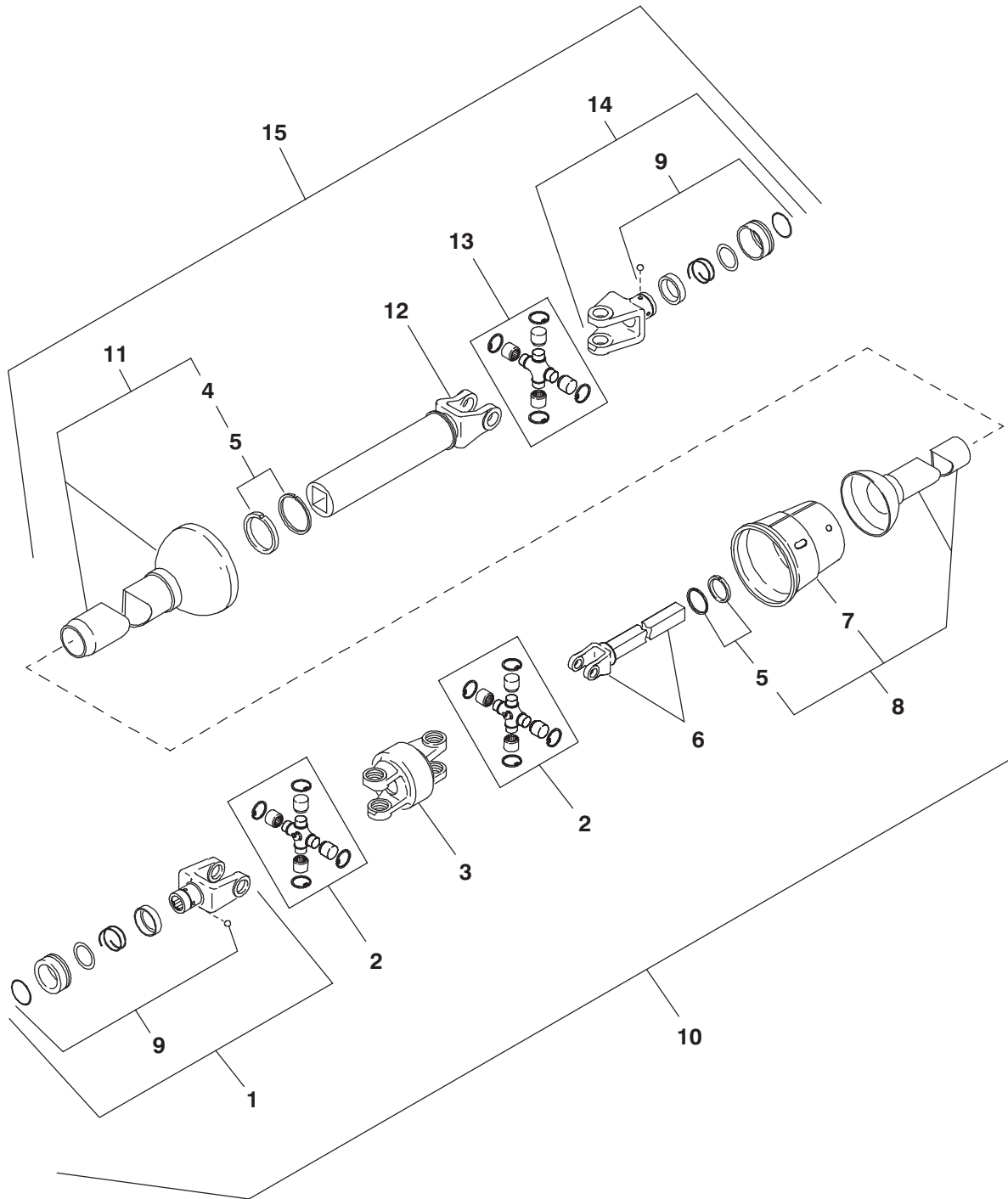
TRANSMISSION/APRON (HYDRAULIC)



TRANSMISSION/APRON (HYDRAULIC)

Ref. No.	Part No.	Description	Quantity			
			175	250	325	425
	093859	APRON TRANSMISSION	1	1	1	1
		CONSISTS OF:				
01	094098	HOUSING/TRANSMISSION	1	1	1	1
02	089135	GEAR	1	1	1	1
03	089134	KIT/SHIM	1	1	1	1
04	089132	KEY/PARALLEL	2	2	2	2
05	089130	BEARING	1	1	1	1
06	089133	RING/SNAP	2	2	2	2
07	089131	CAP	1	1	1	1
08	089126	RING/SNAP	2	2	2	2
09	094099	SEAL/OIL	1	1	1	1
10	656171	CS M8X14	2	2	2	2
11	094100	EXTENSION/MOUNT	1	1	1	1
12	656129	CS M16X35	1	1	1	1
13	089116	BEARING	2	2	2	2
14	089123	KIT/SHIM	1	1	1	1
15	094095	GEAR	1	1	1	1
16	094097	RING/SNAP	2	2	2	2
17	090070	PLUG/VENT	1	1	1	1
18	094095	GEAR	1	1	1	1
19	089142	DIPSTICK	1	1	1	1
20	089116	BEARING	1	1	1	1
21	089141	CAP	1	1	1	1
22	656170	CS M8X10	1	1	1	1
23	656007	CS M10X25	8	8	8	8
24	089144	COVER	1	1	2	1
25	089145	SEAL/OIL	2	2	2	2
26	089146	BEARING	2	2	2	2
27	089147	RING/SNAP	2	2	2	2
28	089148	KIT/SHIM	2	2	1	2
29	089149	GEAR	1	1	1	1
30	094094	SHAFT	1	1	1	1

UNIVERSAL DRIVE - 540 RPM



UNIVERSAL DRIVE - 540 RPM

Ref. No.	Part No.	Description	Quantity			
			175	250	325	425
	084840	UNIVERSAL DRIVE - 540 RPM	1	1	-	-
	084199	UNIVERSAL DRIVE - 540 RPM	-	-	1	1
		CONSISTS OF:				
01	086938	YOKE/SPRING LOCK ASSY	1	1	1	1
02	141779	KIT/CENTER CROSS	2	2	2	2
03	090895	HOUSING/CV CENTER	1	1	1	1
04	095133 _a	KIT/REPAIR	1	1	-	-
05	095130 _b	KIT/REPAIR	1	1	2	2
06	088884	YOKE W/SHAFT	1	1	-	-
	086935	YOKE W/SHAFT	-	-	1	1
07	091167	GUARD/OUTER	1	1	1	1
08	088888 _c	GUARD/OUTER	1	1	-	-
	086936 _c	GUARD/OUTER	-	-	1	1
09	086925	KIT/SPRING LOCK REPAIR	2	2	2	2
10	086973	JOINT/UNIVERSAL W/SHAFT	1	1	-	-
	084404	JOINT/UNIVERSAL W/SHAFT	-	-	1	1
11	088887	GUARD/INNER	1	1	-	-
	086932	GUARD/INNER	-	-	1	1
12	088885	YOKE W/TUBE	1	1	-	-
	086934	YOKE W/TUBE	-	-	1	1
13	005870	KIT/CENTER CROSS	1	1	-	-
	510114	KIT/CENTER CROSS	-	-	1	1
14	088886	YOKE/SPRING LOCK ASSY	1	1	-	-
	094142	YOKE/SPRING LOCK ASSY	-	-	1	1
15	086974	JOINT/UNIVERSAL W/TUBE	1	1	-	-
	084403	JOINT/UNIVERSAL W/TUBE	-	-	1	1

a) Includes 510181 & 510183.

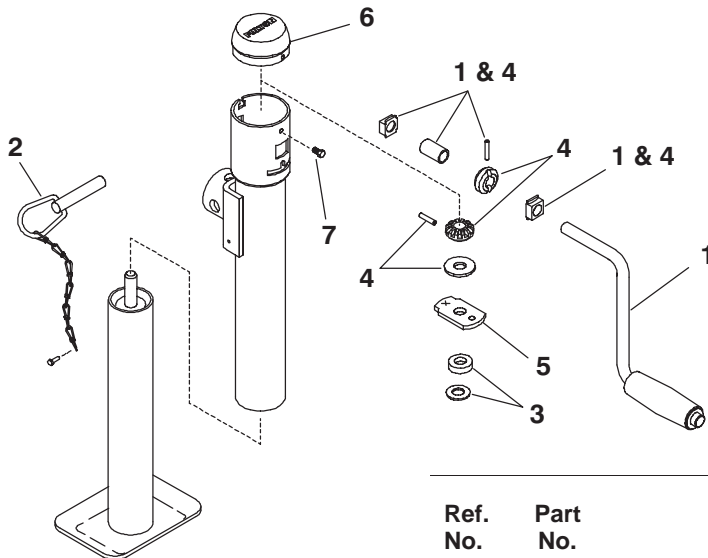
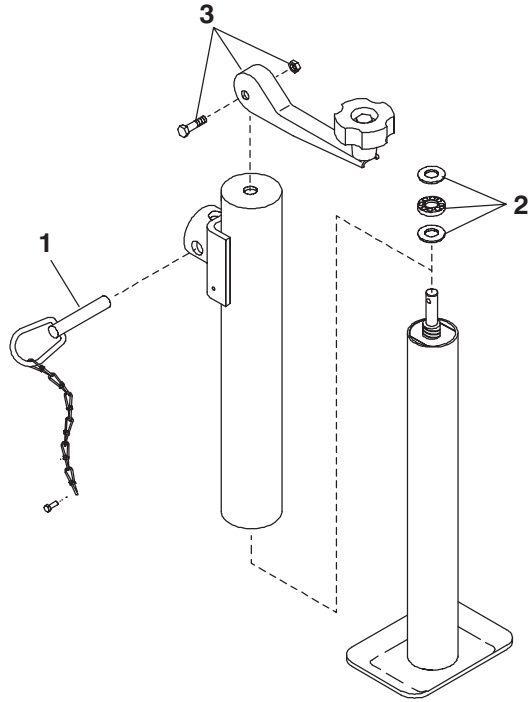
b) Includes 510023 & 510100.

c) Includes Decal 091444.

HITCHJACK

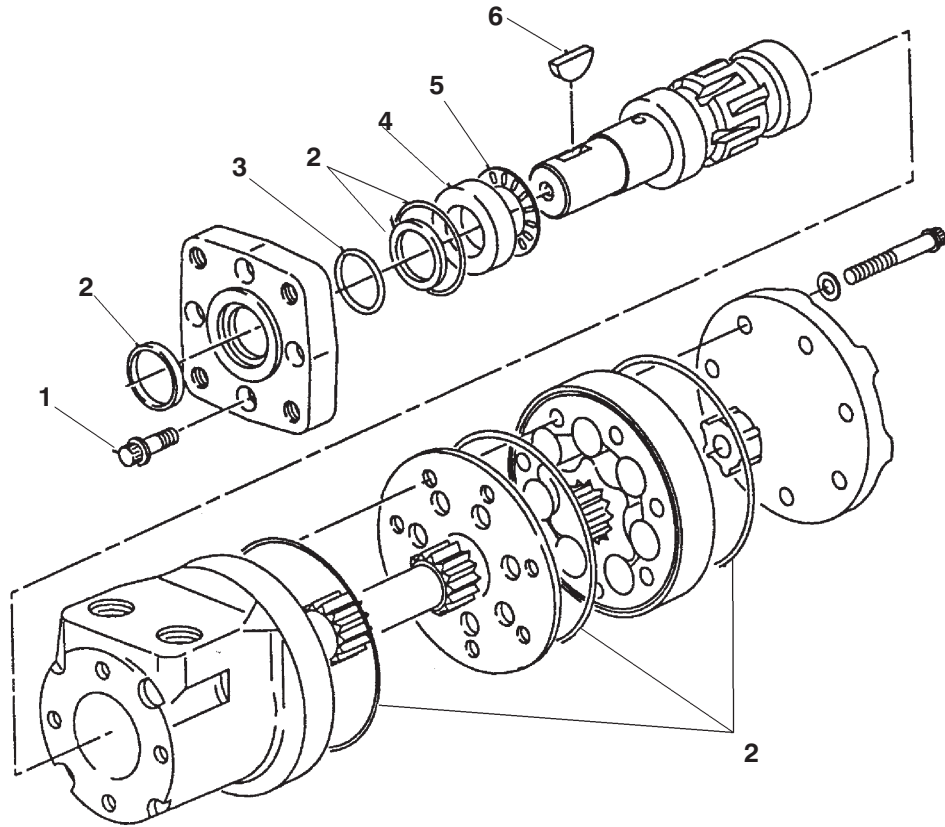
Hitchjack - Fulton

Ref. No.	Part No.	Description	Quantity	
			175	250
	143469	HITCHJACK - FULTON	1	1
		CONSISTS OF:		
01	143601	KIT/PIN & CHAIN	1	1
02	143599	KIT/BEARING	1	1
03	143603	KIT/JACK HANDLE	1	1



Ref. No.	Part No.	Description	Quantity	
			325	425
	143471	HITCHJACK - FULTON	1	1
		CONSISTS OF:		
01	143597	KIT/JACK HANDLE	1	1
02	143601	KIT/PIN & CHAIN	1	1
03	143610	KIT/BEARING	1	1
04	143602	KIT/GEAR	1	1
05	143600	SUPPORT/PLATE	1	1
06	143598	CAP/TUBE	1	1
07	113026	TFS#8-32X3/8	1	1

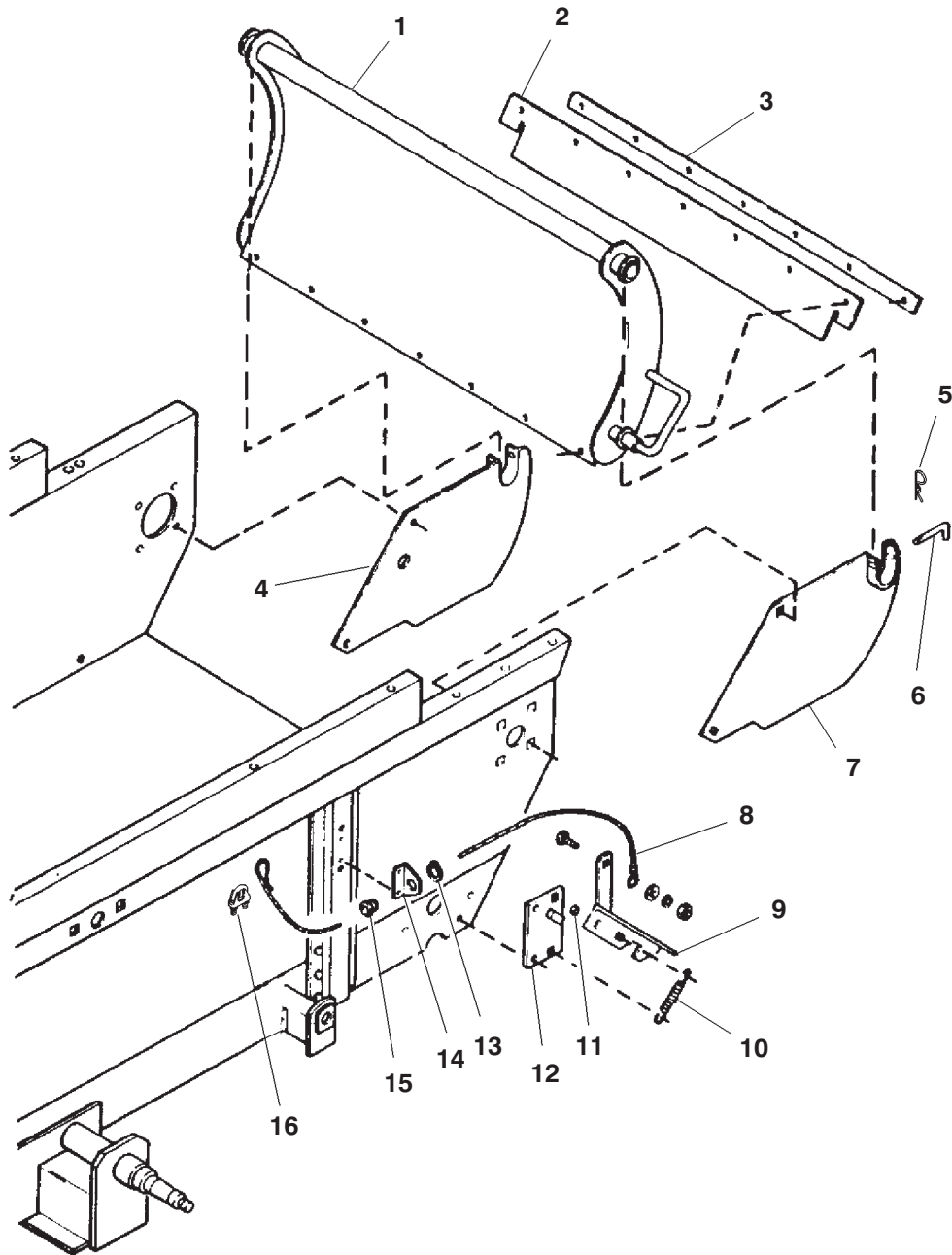
HYDRAULIC MOTOR



Ref. No.	Part No.	Description	Quantity			
			175	250	325	425
	098805	HYDRAULIC MOTOR	1	1	1	1
		CONSISTS OF:				
01	650927	CS5/16X7/8	4	4	4	4
02	094092	KIT/SEAL	1	1	1	1
03	094093	RING/BACKUP	1	1	1	1
04	049498	RACE/BEARING	1	1	1	1
05	049499	THRUST/BEARING	1	1	1	1
06	650513	KEY/WOODRUFF 1/4X1	1	1	1	1

OPTIONS & ACCESSORIES (LATER STYLE)

Litter Pan

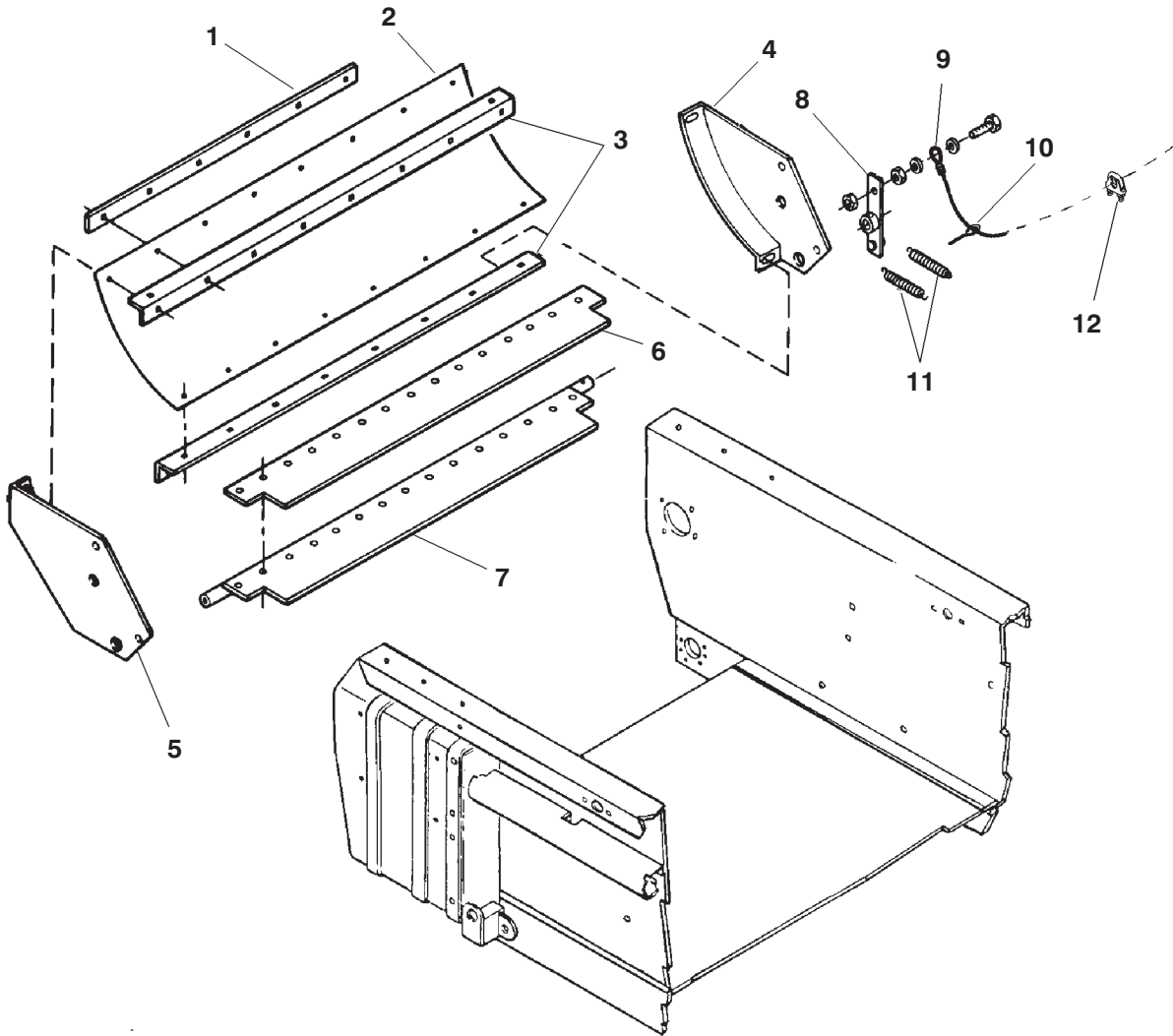


OPTIONS & ACCESSORIES (LATER STYLE)

Ref. No.	Part No.	Description	Quantity			
			175	250	325	425
	804868	LITTER PAN ASSY (LATER STYLE)	1	1	1	1
		CONSISTS OF:				
01	110383	PAN/ASSY	1	1	1	1
02	110390	SEAL/PAN	1	1	1	1
03	110389	STRIP	1	1	1	1
	650573	CB 5/16X1 (FLN)	7	7	7	7
04	110400	PLATE/RT	1	1	1	1
05	071858	CLIP/HAIR PIN	2	2	2	2
06	058294	PIN	2	2	2	2
07	110398	PLATE/LT	1	1	1	1
08	008267	CABLE/ASSY	1	1	1	1
09	110406	LATCH/ASSY	1	1	1	1
	650786	CB 3/8X1-1/4 (HN, LW, LN)	1	1	1	1
	650773	CB 3/8X1-1/2 (HN, LW, 2FW)	1	1	1	1
10	17H349	SPRING/EXTENSION	1	1	1	1
11	3E123	SPACER	1	1	1	1
	650527	CB 1/2X1-1/4 (LN, FW)	1	1	1	1
12	110403	PLATE/ASSY	1	1	1	1
	650786	CB 3/8X1-1/4 (HN, LW, LN)	1	1	1	1
13	076161	RING/RETAINING	2	2	2	2
14	110092	BRACKET/GUIDE	1	1	1	1
	650315	TCS 1/4X1/2	1	1	1	1
15	200-32423	GUIDE/TWINE	1	1	1	1
16	056061	CLAMP/CABLE	1	1	1	1

OPTIONS & ACCESSORIES (EARLY STYLE)

Litter Pan

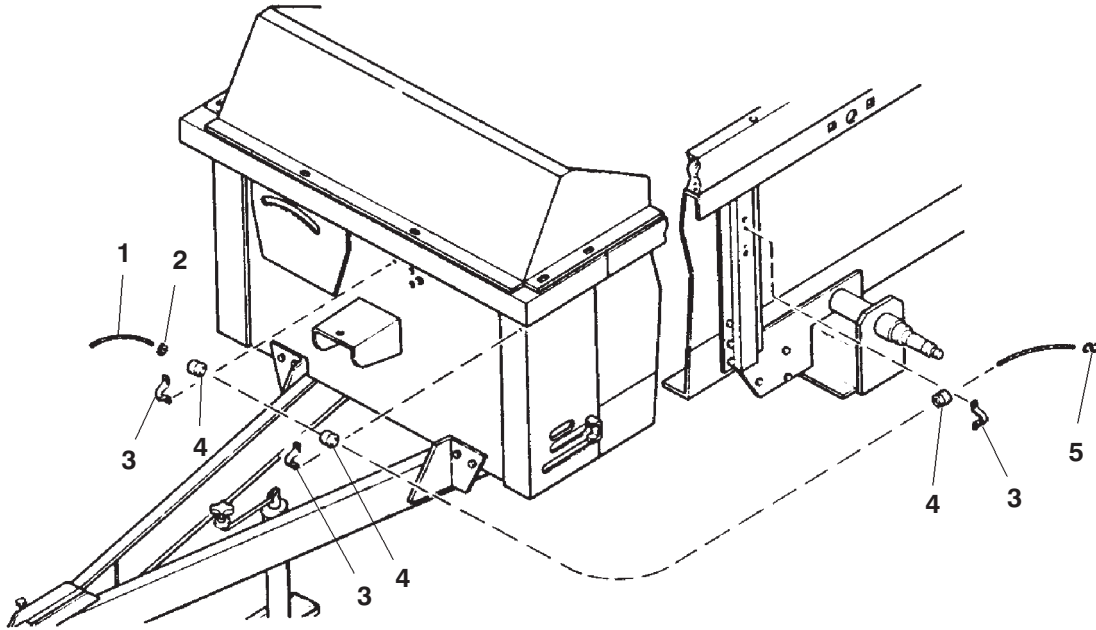


OPTIONS & ACCESSORIES (EARLY STYLE)

Ref. No.	Part No.	Description	Quantity			
			175	250	325	425
	804501	LITTER PAN ASSY (EARLY STYLE)	1	1	1	1
		CONSISTS OF:				
01	008273	STRIP/BACKING	1	1	1	1
02	008274	LINER/LITTER PAN	1	1	1	1
	650568	CS 5/16X2	1	1	1	1
	650704	CS 5/16X1 (HN, LW, 5FW)	6	6	6	6
03	008268	ANGLE/LITTER PAN	2	2	2	2
	651065	CB 5/16X1 (HN, LW)	14	14	14	14
04	090916	PANEL/WELD LEFT	1	1	1	1
05	090914	PANEL/WELD RIGHT	1	1	1	1
06	008260	DOOR/PLASTIC	1	1	1	1
	651065	CB 5/16X1 (HN, LW, FW)	15	15	15	15
07	008263	DOOR/WELD	1	1	1	1
08	008266	LEVER/DOOR WELD	1	1	1	1
	650533	CS 3/8X1-1/2 (2HN, 2FW)	1	1	1	1
09	008267	CABLE/1/8X72'	1	1	1	1
10	066172	BOLT/EYE	1	1	1	1
11	603657	SPRING/LATCH RETURN	2	2	2	2
	045422	CB 3/8X3-1/2	1	1	1	1
12	056061	CLAMP/WIRE ROPE	1	1	1	1

OPTIONS & ACCESSORIES (LATER STYLE)

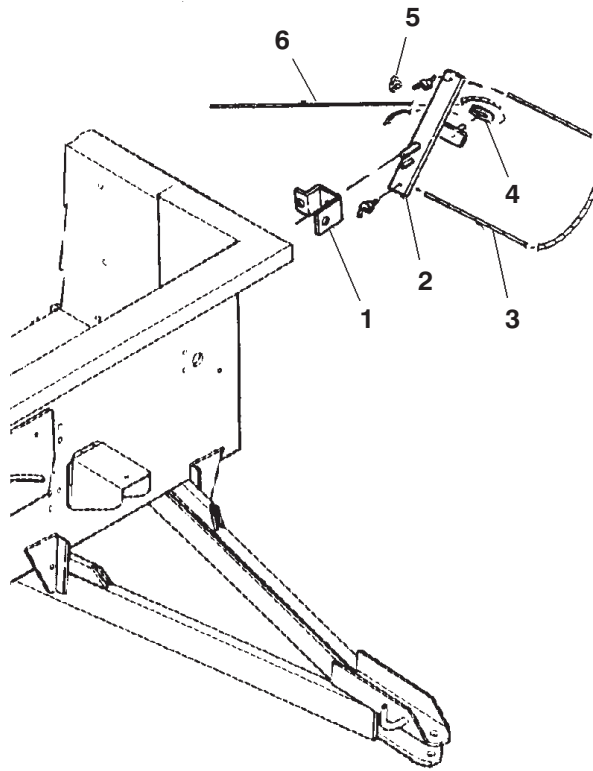
Manual Trip Package



Ref. No.	Part No.	Description	Quantity			
			175	250	325	425
	804864	MANUAL TRIP PACKAGE (LATER STYLE)	1	-	-	-
	804865	MANUAL TRIP PACKAGE (LATER STYLE)	-	1	1	1
		CONSISTS OF:				
01	097924	ROPE 310"	1	-	-	-
	097666	ROPE 400"	-	1	1	1
02	654002	WASHER 1/4"	1	1	1	1
03	097228	CLAMP	3	3	3	3
	650315	TCS 1/4X1/2	6	6	6	6
04	059721	GUIDE/ROPE	3	3	3	3
05	B11433A	HOOK-S	1	1	1	1

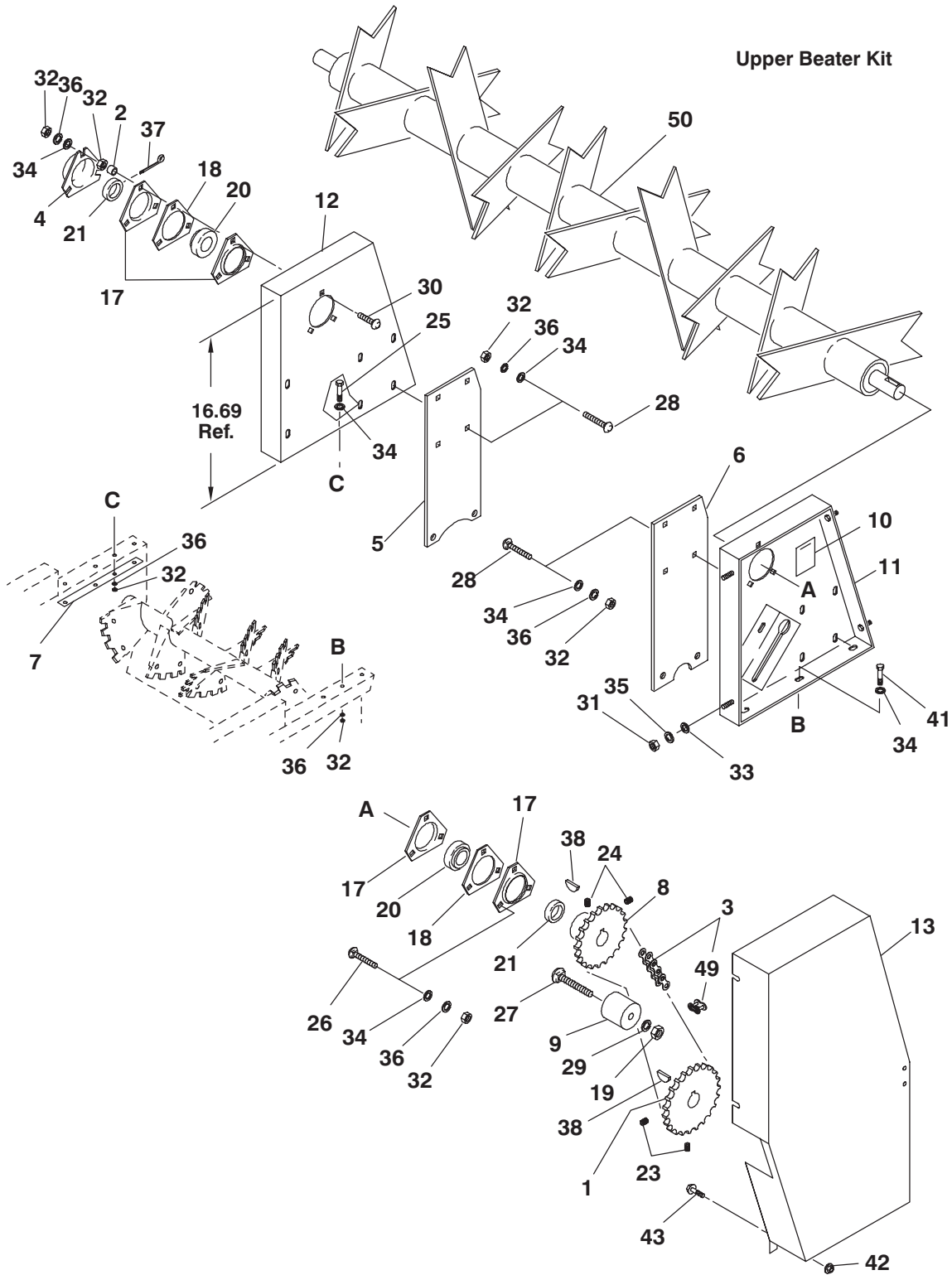
OPTIONS & ACCESSORIES (EARLY STYLE)

Manual Trip Package



Ref. No.	Part No.	Description	Quantity			
			175	250	325	425
	803024	MANUAL TRIP PACKAGE (EARLY STYLE)	1	1	1	1
		CONSISTS OF:				
01	080682	BRACKET	1	1	1	1
	655006	CP 1/8X1 (1/2 FW)	1	1	1	1
	650490	CS 3/8X1 (HN, LW)	1	1	1	1
02	009339	LEVER/WELD	1	1	1	1
	655006	CP 1/8X1	1	1	1	1
	650533	CS 3/8X1-1/2 (HN, FW)	1	1	1	1
03	052040	ROPE/NYLON 3/16X17'	1	1	1	1
04	009333	THIMBLE	1	1	1	1
05	056061	CLAMP/WIRE ROPE	1	1	1	1
06	009341	CABLE 1/8X160"	1	1	1	1

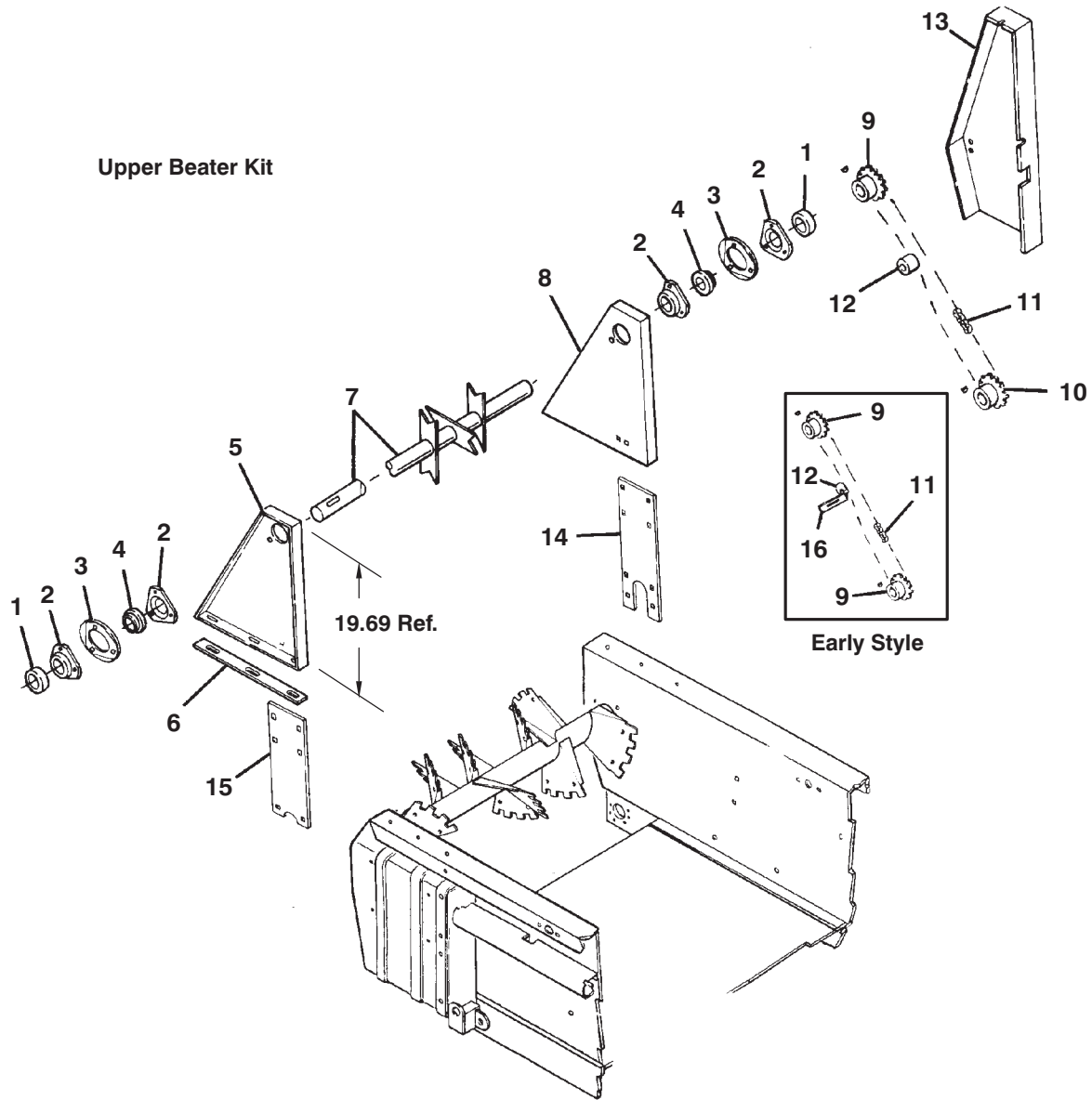
OPTIONS & ACCESSORIES (LATER STYLE)



OPTIONS & ACCESSORIES (LATER STYLE)

Ref. No.	Part No.	Description	Quantity			
			175	250	325	425
	805125	UPPER BEATER KIT (LATER STYLE)	1	1	1	1
		CONSISTS OF:				
01	008309	SPROCKET/23T	1	1	1	1
02	055582	SLEEVE	3	3	3	3
03	066914	CHAIN/ROLLER #60X84 LINKS	1	1	1	1
04	071571	SHIELD/SHAFT	1	1	1	1
05	088474	PLATE/SUPPORT RT	1	1	1	1
06	088475	PLATE/SUPPORT LT	1	1	1	1
07	090547	SPACER	3	3	3	3
08	090555	SPROCKET/21T	1	1	1	1
09	090558	TIGHTENER/CHAIN	1	1	1	1
10	093365	DECAL/WARNING ROT COMP	1	1	1	1
11	098921	PANEL/UPPER BEATER LT	1	1	1	1
12	098923	PANEL/UPPER BEATER RT	1	1	1	1
13	098924	GUARD/SECOND BEATER	1	1	1	1
17	027003	RETAINER/BEARING	4	4	4	4
18	066181	SPACER/BEARING	2	2	2	2
19	071706	LN 1/2	1	1	1	1
20	520065	BEARING/BALL	2	2	2	2
21	520085	COLLAR/BEARING	2	2	2	2
23	650212	SHSS 3/8X3/8	2	2	2	2
24	650201	SHSS 5/16X5/16	2	2	2	2
25	650491	CS 3/8X1-1/4	3	3	3	3
26	650704	CB 3/8X1	3	3	3	3
27	650762	CB 1/2X2-1/2	1	1	1	1
28	650786	CB 3/8X1-1/4	8	8	8	8
29	651148	FW 1/2	1	1	1	1
30	652053	CB 3/8X2	3	3	3	3
31	653007	HN 5/16	4	4	4	4
32	653010	HN 3/8	23	23	23	23
33	654004	FW 5/16	4	4	4	4
34	654006	FW 3/8	20	20	20	20
35	654024	LW 5/16	4	4	4	4
36	654026	LW 3/8	20	20	20	20
37	655012	CP 1/8X1-3/4	1	1	1	1
38	655536	KEY/WOODRUFF 3/8X1-1/4	2	2	2	2
41	650490	CS 3/8X1	3	3	3	3
42	210-19470	FLN 5/16	2	2	2	2
43	081380	FLS 5/16X3/4	2	2	2	2
49	500160	LINK/CONNECTOR	1	1	1	1
50	008239	BEATER/UPPER	1	1	1	1

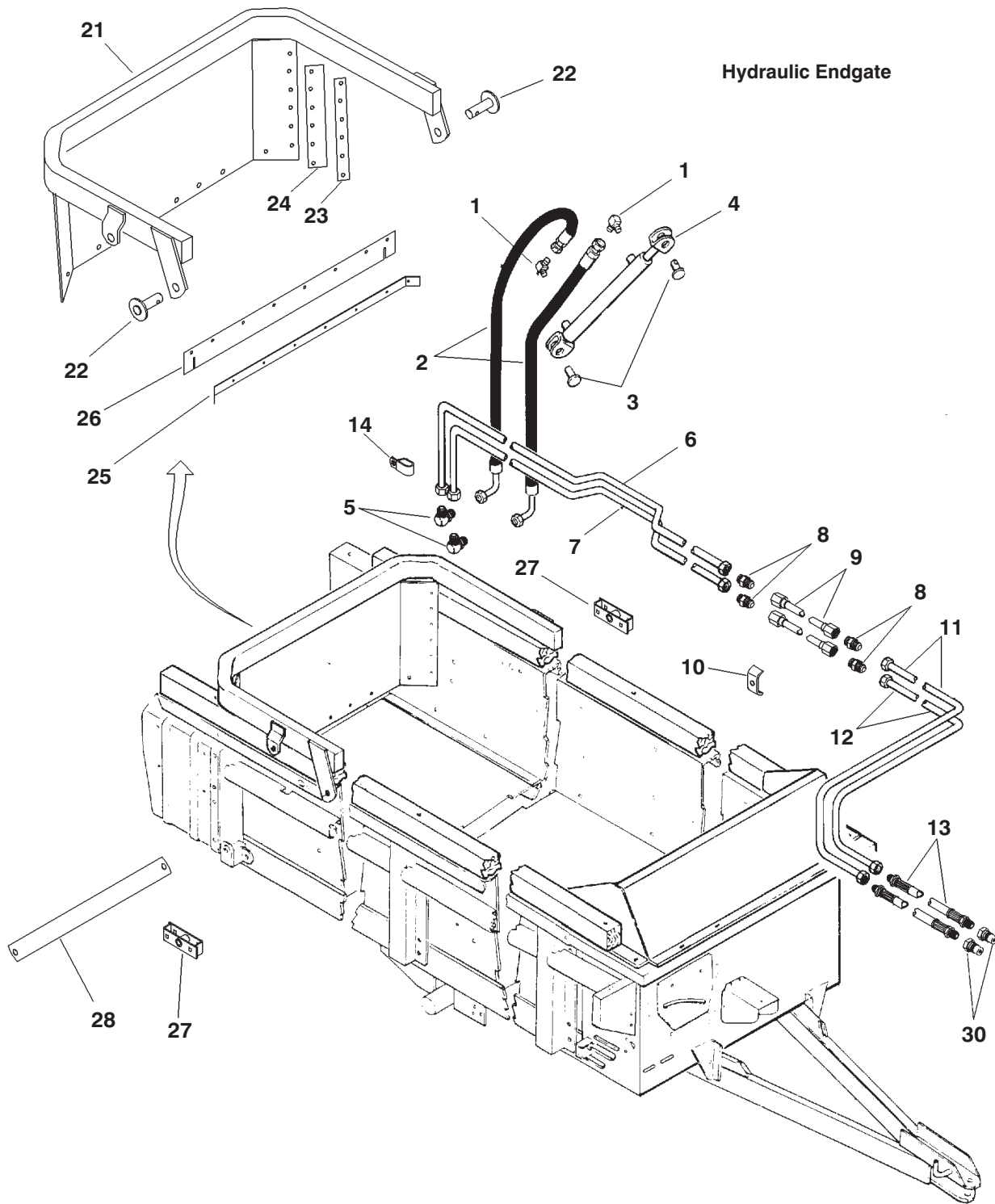
OPTIONS & ACCESSORIES (EARLY STYLE)



OPTIONS & ACCESSORIES (EARLY STYLE)

Ref. No.	Part No.	Description	Quantity			
			175	250	325	425
	804155	UPPER BEATER KIT (EARLY STYLE)	1	1	1	1
		CONSISTS OF:				
01	520085	COLLAR/BEARING	2	2	2	2
02	027003	RETAINER/BEARING	4	4	4	4
	650704	CB 3/8X1 (HN, LW)	3	3	3	3
03	066181	SPACER/BEARING	2	2	2	2
04	520065	BEARING/BALL	2	2	2	2
05	087241	PANEL/BEATER UPPER RT	1	1	1	1
	650490	CS 3/8X1 (HN, LW, FW)	3	3	3	3
	650704	CB 3/8X1 (HN, LW)	3	3	3	3
06	090547	SPACER	3	3	3	3
07	008239	BEATER/UPPER	1	1	1	1
	655012	CP 1/8X1-3/4	2	2	2	2
08	090557	PANEL/BEATER UPPER LT	1	1	1	1
	087242	PANEL/BEATER UPPER LT (EARLY STYLE)	1	1	1	1
	650490	CS 3/8X1 (HN, LW, FW)	3	3	3	3
	650704	CB 3/8X1 (HN, LW)	3	3	3	3
09	090555	SPROCKET/21T	1	1	1	1
	008247	SPROCKET/14T (EARLY STYLE)	1	1	1	1
	655536	KEY/WOODRUFF 3/8X1-1/4	2	2	2	2
	650201	SHSS5/16X5/16	2	2	2	2
10	008309	SPROCKET/23T	1	1	1	1
	655536	KEY/WOODRUFF 3/8X1-1/4	2	2	2	2
	650201	SHSS5/16X5/16	2	2	2	2
11	090602 _a	CHAIN/ROLLER #60X91 LINKS	1	1	1	1
	060473 _a	CHAIN/ROLLER #60X83 LINKS (EARLY STYLE)	1	1	1	1
12	090558	TIGHTENER/CHAIN	1	1	1	1
	006309	RING/STEEL TIGHTENER (EARLY STYLE)	1	1	1	1
13	088438	GUARD/SECOND BEATER	1	1	1	1
	650573	CB 5/16X1 (HN, LW, FW)	3	3	3	3
14	088474	PLATE/SUPPORT RT	1	1	1	1
	650786	CB 3/8X1-1/4 (HN, LW, FW)	4	4	4	4
15	088475	PLATE/SUPPORT LT	1	1	1	1
	650786	CB 3/8X1-1/4 (HN, LW, FW)	4	4	4	4
16	087243	BRACKET/ASSY (1) 5/8 JN	1	1	1	1

a) Includes (1) 500160 Plain Connector & (1) 500161 Offset Connector.



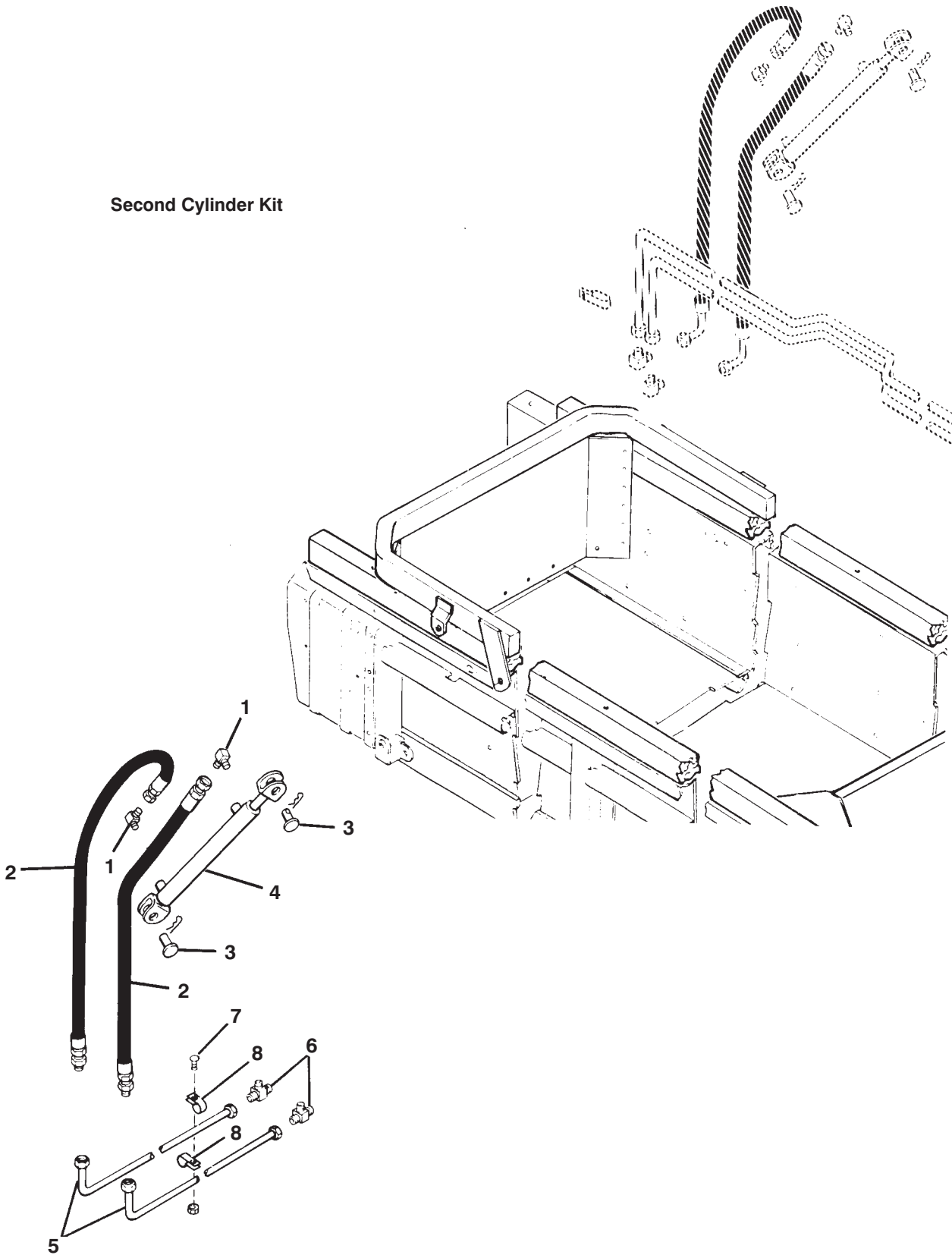
OPTIONS & ACCESSORIES (MS175, 250 & 325)

Ref. No.	Part No.	Description	175	Quantity 250	325
	803866	HYDRAULIC ENDGATE	1	-	-
	803916	HYDRAULIC ENDGATE	-	1	-
	803917	HYDRAULIC ENDGATE	-	-	1
		CONSISTS OF:			
01	068938	ELBOW/HYD FITTING 90°	2	2	2
02	087109	HOSE/ASSY	2	2	2
03	076581	PIN/CLEVIS	2	2	2
	655020	CP 3/16X1-1/2	2	2	2
04	110089 _a	CYLINDER/HYDRAULIC (LATER STYLE)	1	1	1
	087012 _b	CYLINDER/HYDRAULIC (EARLY STYLE)	1	1	1
05	087108	ELBOW/HYD FITTING 90°	2	2	2
06	087104	TUBE/HYDRAULIC SIDE UPPER	1	1	1
07	087103	TUBE/HYDRAULIC SIDE LOWER	1	1	1
08	087107	CONNECTOR/UNION	2	4	4
09	087110	TUBE/HYDRAULIC	-	2	-
	087111	TUBE/HYDRAULIC	-	-	2
10	059453	CLAMP/TUBE	-	1	1
	650773	CB 3/8X1-1/2 (HN, LW, FW)	-	1	1
11	087105	TUBE/HYDRAULIC FRONT UPPER	1	1	1
12	087106	TUBE/HYDRAULIC FRONT LOWER	1	1	1
13	088439	HOSE/ASSY	2	2	2
14	055021	CLAMP/HOSE	1	2	2
	650573	CB 5/16X1 (FLN)	1	2	2
21	087071	GATE/ASSY	1	1	1
22	087080	PIN/ASSY	2	2	2
	650528	CB 3/8X2 (HN, LW)	2	2	2
23	003947	STRIP/BACKING	2	2	2
	650745	CB 5/16X1-1/4 (HN, LW)	12	12	12
24	003948	RUBBER/ENDGATE	2	2	2
25	008350	STRIP/BACKING	1	1	1
	650745	CB 5/16X1-1/4 (HN, LW)	8	8	8
26	097293	SEAL/GATE BOTTOM	1	1	1
27	087077	SPACER	2	2	2
	650866	CB 5/8X3-1/2 (HN, LW)	4	4	4
28	087011	BAR/EXTENSION	2	2	2
30	056080	QUICK-DISCONNECT (MALE)	2	2	2

a) For repair, order Seal Kit 119728.

b) For repair, order Seal Kit 092163.

Second Cylinder Kit



OPTIONS & ACCESSORIES (MS175, 250 & 325)

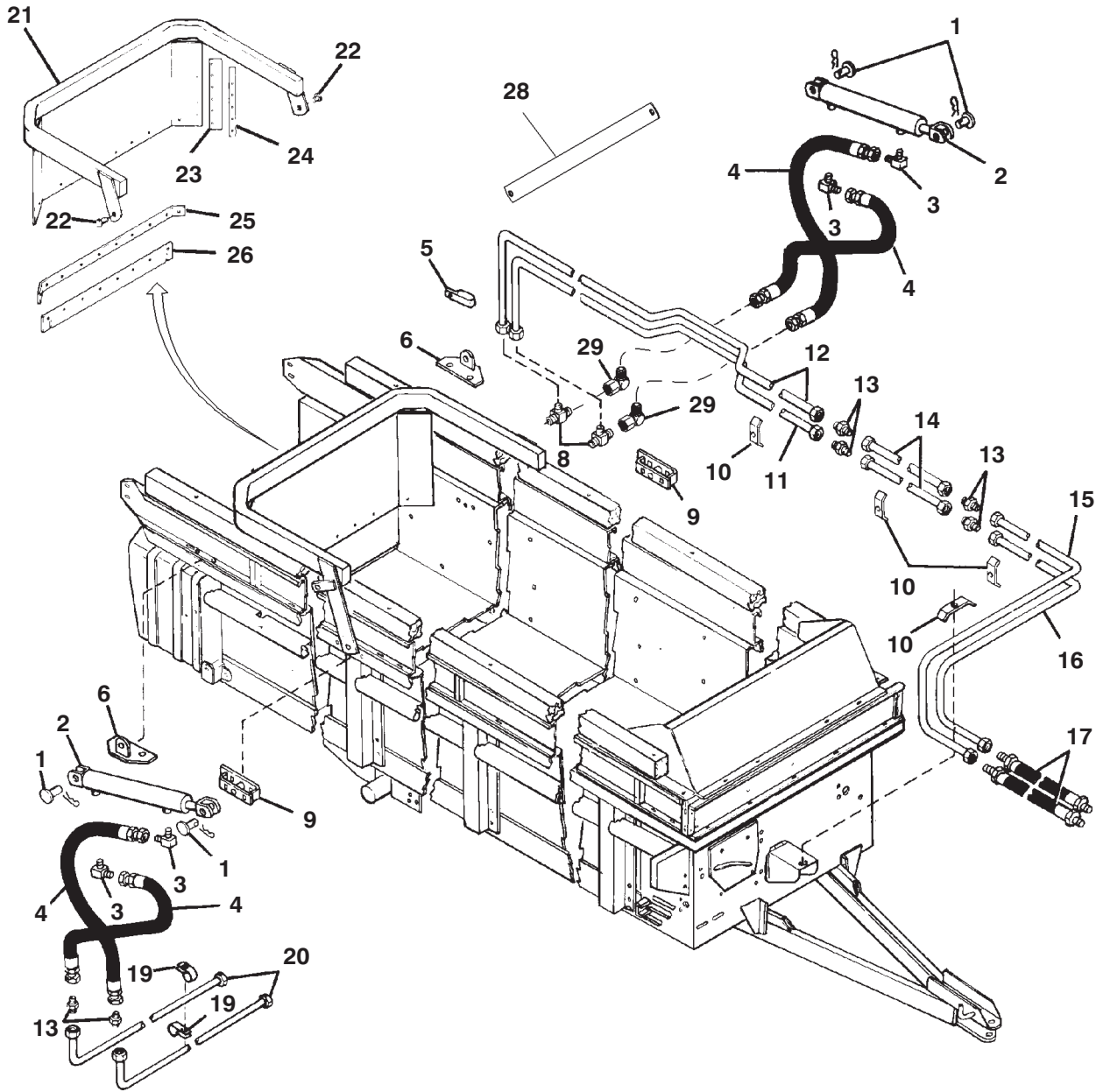
Ref. No.	Part No.	Description	175	Quantity 250	325
	803869	SECOND CYLINDER KIT	1	1	1
		CONSISTS OF:			
01	068938	ELBOW/HYD FITTING 90°	2	2	2
02	087202	HOSE/ASSY	2	2	2
03	076581	PIN/CLEVIS	2	2	2
	655020	CP 3/16X1-1/2	2	2	2
04	110089 _a	CYLINDER/HYDRAULIC (LATER STYLE)	1	1	1
	087012 _b	CYLINDER/HYDRAULIC (EARLY STYLE)	1	1	1
05	087201	TUBE/AUXILIARY CYLINDER	2	2	2
06	062400 _c	TEE/HYD FITTING	2	2	2
07	651069	BOLT 5/16X1-1/2 (HN, LW, FW)	1	1	1
08	076147	CLAMP/HOSE	2	2	2

a) For repair, order Seal Kit 119728.

b) For repair, order Seal Kit 092163.

c) When installing Second Cylinder Kit, replace (2) 087108 elbows with the (2) 062400 Union Tees.

Hydraulic Endgate,
Cylinder and Hoses



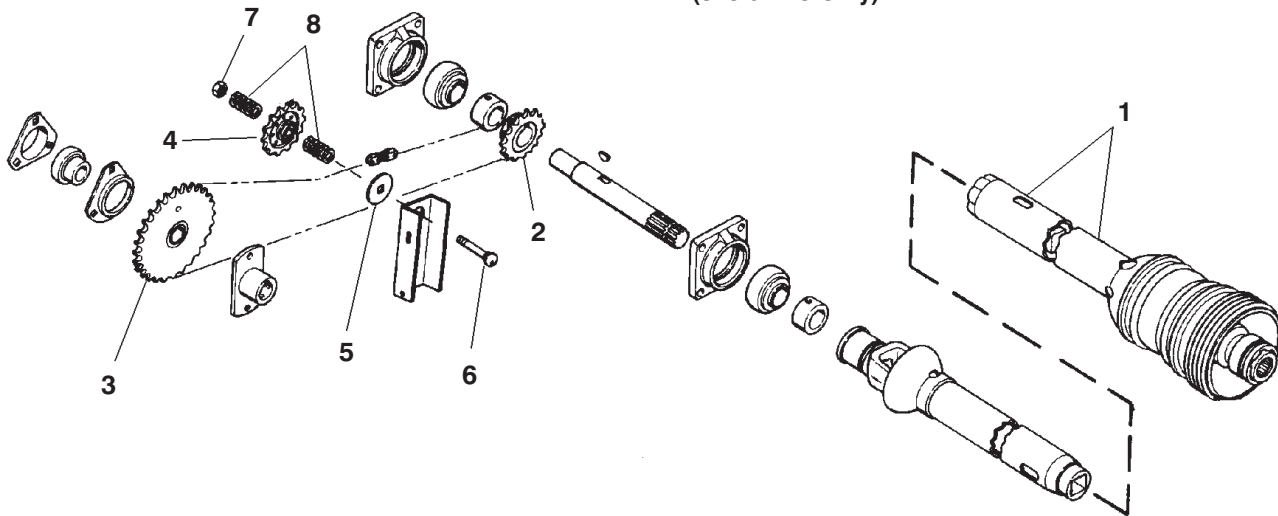
OPTIONS & ACCESSORIES (MS425 ONLY)

Ref. No.	Part No.	Description	Quantity 425
	803881	HYDRAULIC ENDGATE	1
		CONSISTS OF:	
01	076581	PIN/CLEVIS	4
	655020	CP 3/16X1-1/2	4
02	110089 _a	CYLINDER/HYDRAULIC	2
03	068938	ELBOW/HYD FITTING 90°	4
04	088456	HOSE/ASSY	4
05	055021	CLAMP/HOSE	1
06	088478	BRACKET/PIVOT	2
	650495	CS 1/2X1-1/4 (HN, LW, FW)	3
	650569	CS 1/2X1-3/4 (HN, LW)	1
08	062400	TEE/HYD FITTING	2
09	087077	SPACER	2
	650866	CB 5/8X3-1/4 (HN, LW)	4
10	059453	CLAMP/TUBE	4
	650773	CB 3/8X1-1/2 (HN, LW)	4
11	087103	TUBE/HYDRAULIC SIDE LOWER	1
12	087104	TUBE/HYDRAULIC SIDE UPPER	1
13	087107	UNION/HYD FITTING	6
14	087111	TUBE/HYDRAULIC	2
15	087105	TUBE/HYDRAULIC FRONT LOWER	1
16	087106	TUBE/HYDRAULIC FRONT UPPER	1
17	088439	HOSE/ASSY	2
19	076147	CLAMP/HOSE	2
20	087201	TUBE/AUXILIARY CYLINDER	2
21	088481	GATE/ASSY	1
22	087080	PIN/ASSY	2
	650528	CB 3/8X2 (HN, LW)	2
23	115805	SEAL/ENDGATE SIDE	2
24	009357	STRIP/BACKING	2
	650745	CB 5/16X1-1/4 (LN, LW)	16
25	008350	STRIP/BACKING	1
	650745	CB 5/16X1-1/4 (LN, LW)	8
26	097293	SEAL/GATE BOTTOM	1
28	087011	BAR/EXTENSION	2
29	088442	ELBOW/HYD FITTING 90°	2

a) For repair, order Seal Kit 119728.

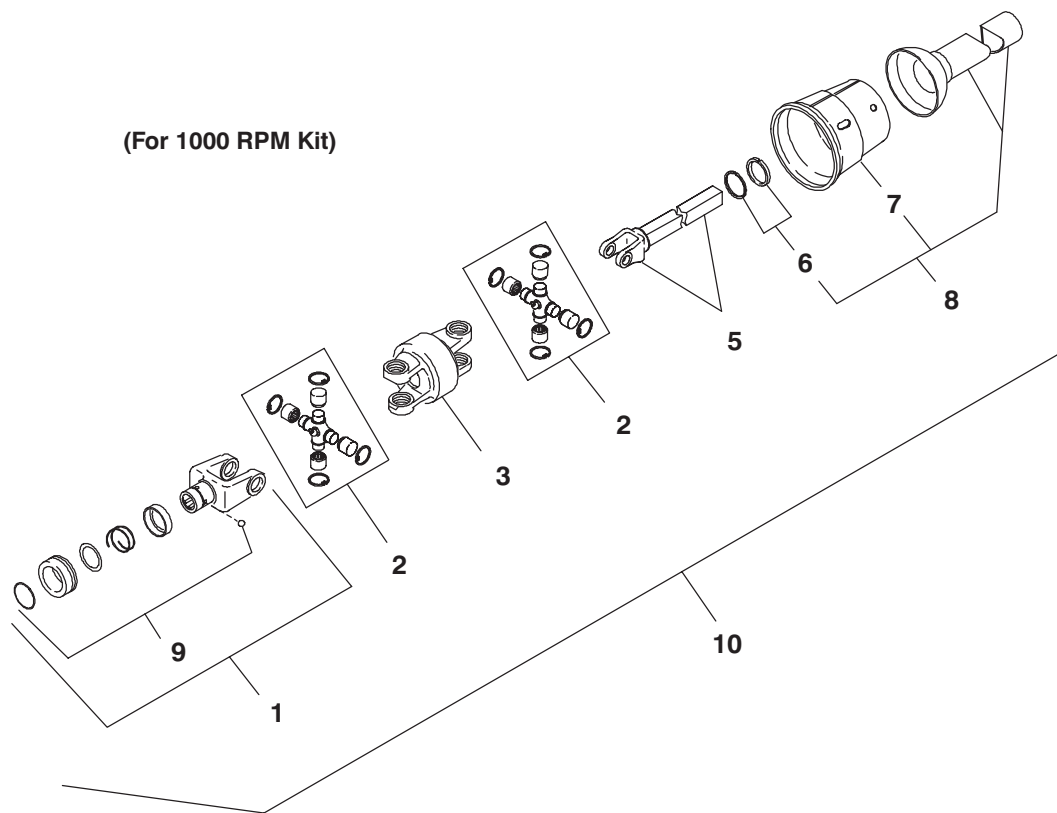
OPTIONS & ACCESSORIES

**1000 RPM Kit
(325 & 425 Only)**



Ref. No.	Part No.	Description	Quantity	
			325	425
	804869	1000 RPM KIT	1	1
		CONSISTS OF:		
01	092782 _a	SHAFT/PTO FRONT HALF	1	1
02	097786	SPROCKET/60B14	1	1
03	097787	SPROCKET/29T	1	1
04	077054	SPROCKET/IDLER 15T	1	1
05	090327	WASHER (INCLUDED ON BASE UNIT)	1	1
06	652087	CB 1/2X3	1	1
07	068034	NILN 1/2	1	1
08	651148	FW 1/2	10	10

a) For breakdown, see the following page.

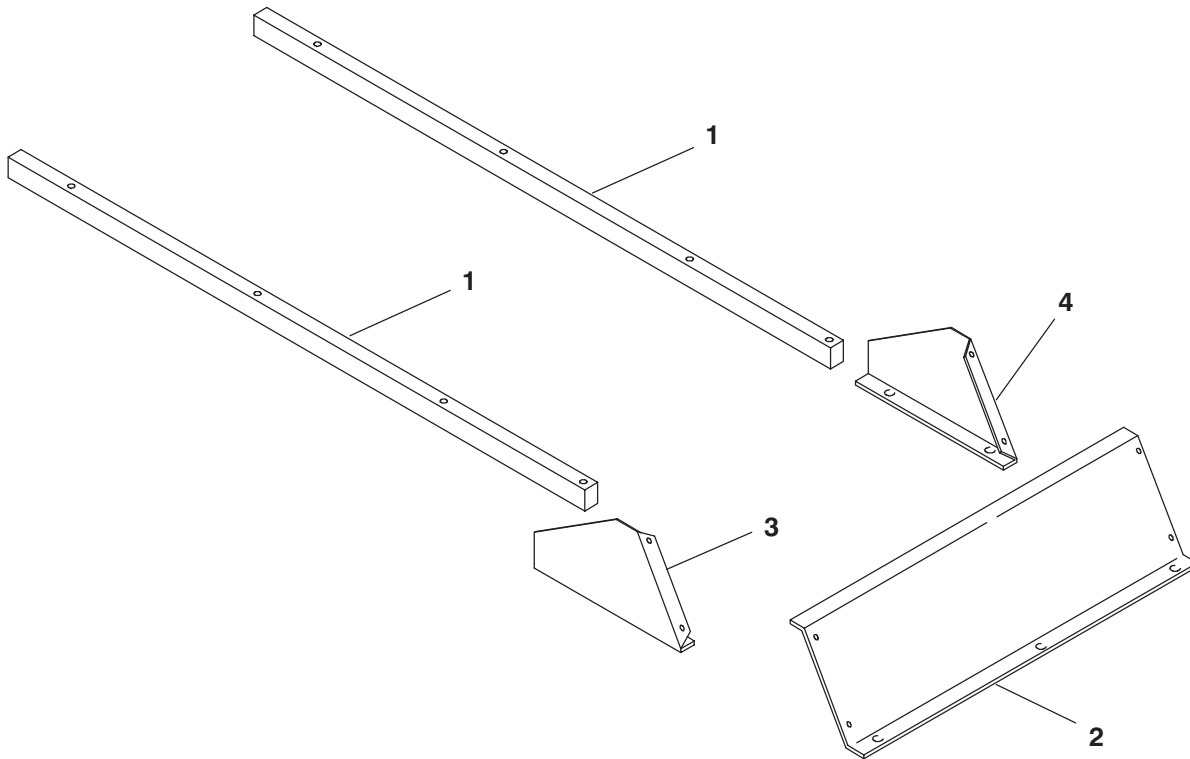


Ref. No.	Part No.	Description	Quantity	
			325	425
01	092792	YOKE/SLIDE LOCK ASSY	1	1
02	141779	KIT/CENTER CROSS	2	2
03	090895	HOUSING/CV CENTER	1	1
05	086935	YOKE W/SHAFT	1	1
06	095130	KIT/REPAIR	2	2
07	091167 _a	GUARD/OUTER	1	1
08	086936	GUARD/OUTER	1	1
09	086925	KIT/SPRING LOCK REPAIR	2	2
10	092782	JOINT/UNIVERSALW/SHAFT	1	1

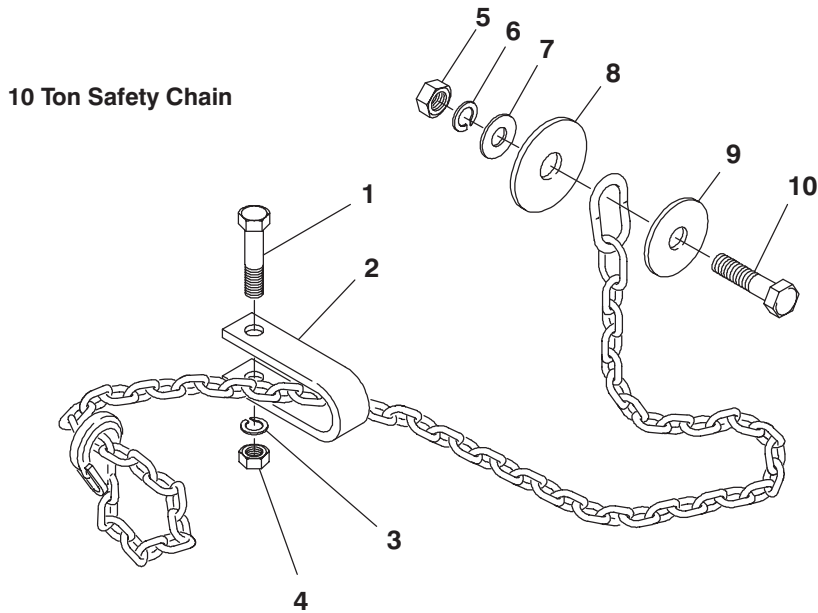
a) Includes 093465 Decal.

OPTIONS & ACCESSORIES

Splashguard & Side Rail



Ref. No.	Part No.	Description	Quantity			
			175	250	325	425
	803867	SPLASHGUARD & SIDE RAIL	1	-	-	-
	803874	SPLASHGUARD & SIDE RAIL	-	1	-	-
	803878	SPLASHGUARD & SIDE RAIL	-	-	1	-
		SPLASHGUARD & SIDE RAIL (STANDARD ON MS425)	-	-	-	-
CONSISTS OF:						
01	080122	RAIL/WOOD	2	-	-	-
	080156	RAIL/WOOD	-	2	-	-
	080157	RAIL/WOOD	-	-	2	-
	080206	RAIL/WOOD	-	-	-	2
	650458	CB 3/8X4-1/4 (HN, LW, FW)	12	12	12	12
02	111345	SHIELD	1	1	1	1
	650490	CS 3/8X1 (HN, LW)	12	12	12	12
03	099979	SHIELD/RT	1	1	1	1
04	099980	SHIELD/LT	1	1	1	1



Ref. No.	Part No.	Description	Quantity			
			175	250	325	425
	142966	SAFETY CHAIN 10 TON	1	1	1	1
		CONSISTS OF:				
01	650695	CS 5/8X3-1/2	1	1	1	1
02	080894	CLEVIS	1	1	1	1
03	654032	LW 5/8	1	1	1	1
04	653021	HN 5/8	1	1	1	1
05	653026	HN 3/4	1	1	1	1
06	654034	LW 3/4	1	1	1	1
07	654014	FW 3/4	1	1	1	1
08	043912	FW 1-1/32 SPECIAL	1	1	1	1
09	069076	FW 25/32	1	1	1	1
10	650172	CS 3/4X3-1/4	1	1	1	1

Index

A

Axles
Single, 34–35
Tandem, 36–37

B

Beater, 30–31

C

Controls, Mechanical, 14–19

D

Decal Locations, 2–5
Drawbar, 6–9
Drive
Beater, 30–31
Clutch, 26–27
Ratchet, 28
Shifter, 29

F

Frame, 6–9

G

Guards, 32–33

H

Hitchjack, 48
Hydraulic Motor, 49
Hydraulics, Drive Controls, 20–25

I

Introduction, 2

O

Options & Accessories, 50–69
1000 RPM Kit, 66–67
Hydraulic Endgate, 60–61,
64–65

Litter Pan, 50–53
Manual Trip Package, 54–55
Safety Chain, 69
Second Cylinder Kit, 62–63
Splashguard w/side rail, 68
Upper Beater Kit, 56–59

S

Side Sheets, 10–11

T

Transmission
Apron, 42–45
Beater, 38–41
Mechanical, 12–13

U

Universal Drive, 46–47

MS175/250/325/425 - NUMERICAL INDEX

Part No.	Page No.	Ref. No.	Part No.	Page No.	Ref. No.	Part No.	Page No.	Ref. No.	Part No.	Page No.	Ref. No.
D936	29	01	008239	59	07	055021	61	14	066160	41	19
D937	29	02	008247	59	09	055021	65	05	066172	17	28
3E123	51	11	008260	53	06	055582	57	02	066172	53	10
6H130	15	02	008263	53	07	055898	25	04	066181	57	18
6H154	28	01	008266	53	08	056061	17	53	066181	59	03
6H175	17	02	008267	51	08	056061	51	16	066309	17	34
17H349	51	10	008267	53	09	056061	53	12	066309	27	17
H6053	15	03	008268	53	03	056061	55	05	066717	35	11
H8354	27	42	008273	53	01	056080	25	81	066717	37	11
H8354	28	02	008274	53	02	056080	61	30	066914	57	03
H8365	27	04	008309	57	01	056086	25	68	067416	28	21
B11069	17	50	008309	59	10	056336	15	06	067493	33	52
B11296	27	03	008322	15	04	056937	27	08	067761	25	70
R13062	15	51	008322	19	49	057864	28	04	068034	15	08
R13062	21	51	008322	21	56	058294	51	06	068034	33	04
R13062	31	24	008350	61	25	058421	35	14	068034	66	07
B11162	27	41	008350	65	25	058421	37	14	068642	33	05
B11162	28	03	008642	23	53	058807	28	20	068938	61	01
B11433A	54	05	008642	27	52	059272	33	01	068938	63	01
001445	19	48	009333	55	04	059453	23	08	068938	65	03
003937	37	04	009339	55	02	059453	61	10	069076	69	09
003938	35	14	009341	55	06	059453	65	10	069370	41	22
003938	37	14	009352	11	38	059692	27	09	069387	15	43
003939	37	08	009357	65	24	059721	17	51	069387	21	43
003940	37	09	009358	11	37	059721	54	04	069424	15	09
003943	35	11	027003	17	29	060100	39	03	069424	21	09
003943	37	11	027003	23	07	060100	41	03	070036	07	04
003947	61	23	027003	27	07	060473	59	11	070634	15	10
003948	61	24	027003	57	17	060510	02	01	070634	21	10
003988	31	03	027003	59	02	060511	02	02	070856	11	11
004014	31	04	042162	35	07	060511	02	02	070856	23	11
004156	09	01	042162	37	07	061166	33	02	070856	27	11
004375	37	06	042163	35	10	061937	31	08	071246	43	06
004942	13	27	042163	37	10	062342	15	07	071401	27	34
004942	28	17	043912	69	08	062397	25	01	071571	57	04
005214	33	24	044090	07	03	062400	63	06	071666	25	73
005238	09	19	045581	35	21	062400	65	08	071668	25	74
005347	23	06	045581	37	21	064239	19	51	071700	17	30
005347	27	06	047269	33	50	064239	21	57	071700	23	46
005423	17	56	049498	49	04	064260	17	06	071701	15	11
005423	23	56	049499	49	05	064353	13	02	071701	17	55
005844	31	06	052040	55	03	064664	25	20	071703	23	12
005870	47	13	052466	31	07	064953	27	10	071703	27	12
006309	33	22	053905	17	54	064963	28	05	071703	29	03
006309	59	12	054067	27	20	065240	13	41	071706	07	05
008239	57	50	054155	39	04	065415	25	66	071706	35	15
						066160	39	19	071706	37	15

MS175/250/325/425 - NUMERICAL INDEX

Part No.	Page No.	Ref. No.	Part No.	Page No.	Ref. No.	Part No.	Page No.	Ref. No.	Part No.	Page No.	Ref. No.
071706	57	19	083108	35	09	084553	07	44	087107	61	08
071858	51	05	083109	35	08	084554	11	06	087107	65	13
072580	25	61	084199	47	00	084555	19	13	087108	61	05
072916	15	12	084258	31	12	084556	33	14	087109	61	02
072916	21	12	084258	41	00	084557	15	16	087110	61	09
075274	33	19	084259	41	01	084557	21	16	087111	61	09
076090	27	45	084260	41	16	084558	31	26	087111	65	14
076147	63	08	084261	41	02	084563	33	16	087121	27	19
076147	65	19	084263	39	06	084564	33	15	087123	28	13
076161	19	53	084263	41	06	084566	31	26	087126	28	11
076161	51	13	084266	39	07	084572	33	16	087127	28	10
076581	61	03	084266	41	07	084573	31	26	087128	28	12
076581	63	03	084267	39	10	084840	47	00	087133	13	07
076581	65	01	084267	41	10	086925	47	09	087136	28	06
076587	07	43	084268	39	11	086925	67	09	087137	28	07
076587	15	13	084268	41	11	086932	47	11	087138	28	08
077054	66	04	084269	39	13	086934	47	12	087143	15	19
077118	13	42	084269	41	13	086935	47	06	087146	15	18
077654	39	17	084309	35	19	086935	67	05	087149	19	54
077654	41	17	084316	07	13	086936	47	08	087149	21	61
077657	39	05	084334	13	03	086936	67	08	087153	29	07
077657	41	05	084334	43	00	086938	47	01	087156	29	06
078580	33	07	084371	07	13	086973	47	10	087168	17	52
078657	35	05	084403	47	15	086974	47	15	087201	63	05
078657	37	05	084404	47	10	086975	07	11	087201	65	20
079152	35	20	084448	09	20	087007	23	14	087202	63	02
079152	37	20	084449	09	21	087007	27	14	087241	59	05
079878	33	08	084455	09	04	087010	23	38	087242	59	08
080079	17	31	084457	09	20	087010	29	05	087243	59	16
080079	23	47	084458	09	21	087011	61	28	087762	33	55
080121	09	02	084461	11	32	087011	65	28	087796	13	09
080122	68	01	084465	17	32	087012	61	04	088044	25	65
080156	68	01	084465	23	48	087012	63	04	088438	59	13
080157	68	01	084468	27	16	087071	61	21	088439	61	13
080170	09	03	084470	13	43	087077	61	27	088439	65	17
080206	68	01	084472	13	47	087077	65	09	088442	65	29
080247	02	04	084477	07	09	087077	65	09	088456	65	04
080682	55	01	084480	07	40	087080	61	22	088474	57	05
080894	69	02	084481	07	10	087080	65	22	088474	59	14
081280	37	19	084482	09	05	087103	61	07	088475	57	06
081380	21	54	084484	17	33	087103	65	11	088475	59	15
081380	57	43	084484	23	49	087104	61	06	088478	65	06
083100	35	04	084550	15	15	087104	65	12	088481	65	21
083100	37	04	084550	21	15	087105	61	11	088485	37	16
083106	35	04	084551	33	16	087105	65	15	088492	02	05
083107	35	05	084552	33	12	087106	61	12	088738	19	56
						087106	65	16	088738	21	62

MS175/250/325/425 - NUMERICAL INDEX

Part No.	Page No.	Ref. No.	Part No.	Page No.	Ref. No.	Part No.	Page No.	Ref. No.	Part No.	Page No.	Ref. No.
088752	13	45	089141	45	21	090546	15	22	093848	09	15
088835	13	44	089142	43	31	090547	57	07	093849	09	15
088857	27	15	089142	45	19	090547	59	06	093850	09	15
088884	47	06	089143	43	32	090548	29	06	093851	25	64
088885	47	12	089144	43	34	090549	29	07	093852	25	63
088886	47	14	089144	45	24	090551	27	18	093853	25	67
088887	47	11	089145	43	35	090554	27	20	093859	13	03
088888	47	08	089145	45	25	090555	57	08	093859	23	60
089114	43	01	089146	43	36	090555	59	09	093859	45	00
089115	43	02	089146	45	26	090557	59	08	093863	25	41
089116	43	03	089147	43	37	090558	33	22	093873	02	05
089116	45	13	089147	45	27	090558	57	09	093898	25	71
089116	45	20	089148	43	38	090558	59	12	094068	21	64
089117	43	04	089148	45	28	090559	13	10	094092	23	68
089118	43	05	089149	43	39	090559	17	11	094092	49	02
089119	43	07	089149	45	29	090560	19	23	094093	49	03
089120	43	08	089270	27	16	090562	17	12	094094	45	30
089121	43	09	089295	28	09	090563	15	23	094095	45	15
089122	43	10	089540	33	20	090602	59	11	094095	45	18
089123	43	11	089597	31	12	090872	33	15	094097	45	16
089123	45	14	089597	39	00	090895	47	03	094098	45	01
089124	43	13	089598	39	01	090895	67	03	094099	45	09
089125	43	14	089599	39	02	090914	53	05	094100	45	11
089126	43	15	089600	39	16	090916	53	04	094142	47	14
089126	45	08	089601	39	20	090959	13	50	094249	13	44
089127	43	16	089766	35	01	091167	47	07	094250	13	43
089128	43	17	089799	35	02	091167	67	07	094275	37	03
089129	43	18	089800	35	19	091444	02	06	094286	37	01
089130	43	19	089868	31	13	092782	66	01	094287	37	02
089130	45	05	090070	43	40	092782	67	10	094340	11	05
089131	43	20	090070	45	17	092792	67	01	094341	11	04
089131	45	07	090327	66	05	093020	02	07	094342	11	05
089132	43	21	090522	28	09	093365	02	08	094343	11	04
089132	45	04	090525	28	10	093365	57	10	094346	11	24
089133	43	22	090527	28	11	093366	02	09	094361	11	35
089133	45	06	090528	28	12	093367	02	10	094362	11	36
089134	43	23	090532	15	18	093373	02	11	094363	11	05
089134	45	03	090534	15	19	093457	02	12	094364	11	04
089135	43	24	090536	15	20	093465	02	13	094365	11	05
089135	45	02	090538	17	34	093466	02	13	094366	11	04
089136	43	25	090538	23	17	093638	02	14	094477	37	01
089137	43	26	090538	27	17	093638	02	14	094478	37	02
089137	43	26	090538	27	17	093638	19	27	094540	27	44
089138	43	27	090539	13	09	093640	02	15	094951	02	17
089139	43	28	090543	17	10	093653	02	16	094957	27	19
089140	43	29	090544	17	10	093808	23	62	095023	02	18
089141	43	30	090545	17	10	093810	25	62	095034	02	18

MS175/250/325/425 - NUMERICAL INDEX

Part No.	Page No.	Ref. No.	Part No.	Page No.	Ref. No.	Part No.	Page No.	Ref. No.	Part No.	Page No.	Ref. No.
095035	02	18	110390	51	02	143603	48	03	570002	11	33
095036	02	18	110398	51	07	143610	48	03	570002	15	53
095037	02	19	110400	51	04	145216	02	24	570002	21	53
095130	47	05	110403	51	12	500037	13	51	570002	31	31
095130	67	06	110406	51	09	500038	13	52	570002	37	18
095133	47	04	111345	68	02	500160	33	80	570004	37	18
097172	25	23	112134	28	13	500160	57	49	570005	29	08
097228	54	03	112443	35	22	500161	33	81	570011	07	14
097293	61	26	112443	37	22	510114	47	13	603657	53	11
097293	65	26	112444	35	22	520013	35	06	604328	35	08
097666	54	01	112444	37	22	520039	39	15	604328	37	08
097786	66	02	112625	02	20	520039	41	15	650172	69	10
097787	66	03	112625	19	18	520054	35	07	650201	28	15
097924	54	01	112627	02	20	520054	37	07	650201	57	24
098303	21	60	112627	21	63	520065	57	20	650203	27	51
098304	25	28	113026	48	07	520065	59	04	650212	07	15
098310	25	19	115428	37	19	520085	57	21	650212	15	28
098311	25	18	115478	37	01	520085	59	01	650212	17	38
098312	25	42	115479	37	02	520089	15	44	650212	21	28
098313	25	24	115517	37	01	520089	21	44	650212	23	51
098610	25	69	115518	37	02	520089	31	30	650212	57	23
098652	25	23	115805	65	23	520090	15	25	650284	28	16
098761	25	16	115859	15	24	520090	21	25	650437	11	12
098762	25	15	118609	15	17	520090	31	14	650448	19	46
098763	25	35	118609	21	17	520153	15	26	650449	25	29
098764	25	03	118610	15	24	520153	21	26	650453	07	16
098805	23	67	118610	21	24	520154	39	22	650453	15	29
098805	49	00	119493	15	45	520155	39	21	650453	21	29
098921	57	11	119493	21	59	520157	17	36	650486	15	30
098923	57	12	122735	02	21	520157	23	21	650486	19	58
098924	57	13	126345	02	22	520157	27	21	650486	27	23
099976	09	22	141779	47	02	520159	17	37	650487	29	09
099977	09	06	141779	67	02	520159	23	22	650490	09	29
099978	17	35	142966	69	00	520159	27	22	650490	09	29
099978	23	50	143007	02	23	520162	39	14	650490	23	66
099979	68	03	143469	07	41	520162	41	14	650490	29	10
099980	68	04	143469	48	00	520201	35	10	650490	33	59
110032	25	82	143471	07	41	520201	37	10	650490	39	09
110089	61	04	143471	48	00	520213	35	06	650490	41	09
110089	63	04	143597	48	01	520213	37	06	650490	57	41
110089	65	02	143598	48	06	520214	35	09	650491	13	28
110090	17	14	143599	48	02	520214	37	09	650491	27	24
110092	51	14	143600	48	05	540016	39	18	650491	35	23
110382	07	13	143601	48	01	540016	41	18	650491	57	25
110383	51	01	143601	48	02	540025	41	04	650492	23	25
110389	51	03	143602	48	04	540035	28	14	650492	27	25
									650495	13	13
									650495	23	63

MS175/250/325/425 - NUMERICAL INDEX

Part No.	Page No.	Ref. No.	Part No.	Page No.	Ref. No.	Part No.	Page No.	Ref. No.	Part No.	Page No.	Ref. No.
650495	31	15	650834	09	07	653038	13	18	654026	29	17
650497	35	17	650878	19	68	653038	27	47	654026	33	67
650497	37	17	650878	21	58	653047	33	23	654026	35	26
650502	07	18	650927	49	01	653102	35	12	654026	39	08
650503	11	34	650933	35	12	653102	37	12	654026	41	08
650513	49	06	650933	37	12	654002	19	64	654026	57	36
650517	41	21	650948	33	38	654002	54	02	654030	07	28
650527	09	24	650983	09	08	654004	09	11	654030	09	14
650533	29	11	651069	63	07	654004	13	19	654030	11	23
650542	17	39	651148	33	39	654004	15	37	654030	13	23
650542	23	52	651148	57	29	654004	31	20	654030	15	41
650545	17	18	651148	66	08	654004	57	33	654030	21	41
650546	17	19	651150	25	84	654006	09	27	654030	23	65
650548	33	34	651223	13	17	654006	13	29	654030	31	23
650549	28	18	651224	27	46	654006	15	38	654032	25	85
650549	33	35	651295	09	18	654006	27	32	654032	69	03
650550	33	36	652036	23	45	654006	33	26	654034	69	06
650551	19	60	652053	57	30	654006	35	25	655012	57	37
650551	21	55	652087	33	40	654006	57	34	655020	35	13
650569	31	16	652087	66	06	654009	07	26	655020	37	13
650573	27	26	653007	09	09	654009	09	12	655024	35	13
650600	15	32	653007	17	21	654009	13	30	655024	37	13
650600	21	32	653007	19	41	654009	15	39	655042	07	29
650601	07	20	653007	21	66	654009	31	21	655048	15	42
650648	25	72	653007	29	13	654012	33	21	655048	28	19
650687	09	25	653007	31	18	654014	69	07	655533	17	43
650687	33	61	653007	33	41	654022	19	47	655533	23	37
650692	13	14	653007	57	31	654022	25	34	655533	31	27
650695	69	01	653010	07	23	654024	09	13	655536	57	38
650704	11	15	653010	09	26	654024	13	21	655537	39	12
650704	17	40	653010	11	20	654024	17	24	655537	41	12
650704	23	27	653010	17	41	654024	19	43	656007	43	33
650704	27	27	653010	23	30	654024	21	65	656007	45	23
650704	33	25	653010	27	30	654024	27	35	656048	43	12
650704	57	26	653010	29	14	654024	29	16	656129	45	12
650733	15	34	653010	33	63	654024	31	22	656170	45	22
650733	21	34	653010	35	24	654024	33	43	656171	45	10
650758	27	28	653010	57	32	654024	57	35	660004	41	20
650762	57	27	653018	07	24	654026	07	27	803024	55	00
650781	23	09	653018	09	10	654026	09	28	803866	61	00
650786	07	22	653018	15	36	654026	11	22	803867	68	00
650786	11	16	653018	21	36	654026	13	22	803869	63	00
650786	57	28	653018	31	19	654026	17	42	803874	68	00
650789	31	17	653021	69	04	654026	23	36	803878	68	00
650790	11	26	653026	69	05	654026	23	64	803881	65	00
650821	25	83	653034	25	44	654026	27	36	803916	61	00
									803917	61	00







MS175/250/325/425 - NUMERICAL INDEX

Part No.	Page No.	Ref. No.	Part No.	Page No.	Ref. No.	Part No.	Page No.	Ref. No.	Part No.	Page No.	Ref. No.
804155	59	00	805125	57	00	210-19470	09	23	210-19470	33	57
804501	53	00	900091	13	45	210-19470	11	01	210-19470	57	42
804864	54	00	200-32423	19	56	210-19470	15	01	220-32521	23	02
804865	54	00	200-32423	51	15	210-19470	21	01	220-32521	27	02
804868	51	00	210-31017	31	02	210-19470	23	10	220-32521	27	02
804869	66	00	210-19470	07	45	210-19470	27	01	400-21033	28	22

TORQUE SPECIFICATIONS

NOTE: Use these torque values when tightening **GEHL** hardware (excluding: Locknuts and Self-tapping, Thread Forming and Sheet Metal Screws) unless specified otherwise.

All torque values are in Lb-Ft except those marked with an * which are Lb-In
(For metric torque value Nm, multiply Lb-Ft value by 1.355 or Lb-In value by 0.113)

Unified National Thread	Grade 2 		Grade 5 		Grade 8 	
	Dry	Lubed	Dry	Lubed	Dry	Lubed
8-32	19*	14*	30*	22*	41*	31*
8-36	20*	15*	31*	23*	43*	32*
10-24	27*	21*	43*	32*	60*	45*
10-32	31*	23*	49*	36*	68*	51*
1/4-20	66*	50*	9	75*	12	9
1/4-28	76*	56*	10	86*	14	10
5/16-18	11	9	17	13	25	18
5/16-24	12		19	14		20
3/8-16	20	15	30	23	45	35
3/8-24	23	17	35	25	50	
7/16-14	32	24	50	35	70	55
7/16-20	36	27	55	40	80	60
1/2-13	50	35	75	55	110	80
1/2-20	55	40	90	65	120	90
9/16-12	70	55	110	80	150	110
9/16-18	80	60	120	90	170	130
5/8-11	100	75	150	110	220	170
5/8-18	110	85	180	130	240	180
3/4-10	175	130	260	200	380	280
3/4-16	200	150	300	220	420	320
7/8-9	170	125	430	320	600	460
7/8-14	180	140	470	360	660	500
1-8	250	190	640	480	900	680
1-14	270	210	710	530	1000	740
Metric Course Thread	Grade 8.8 		Grade 10.9 		Grade 12.9 	
	Dry	Lubed	Dry	Lubed	Dry	Lubed
M6-1	8	6	11	8	13.5	10
M8-1.25	19	14	27	20	32.5	24
M10-1.5	37.5	28	53	39	64	47
M12-1.75	65	48	91.5	67.5	111.5	82
M14-2	103.5	76.5	145.5	108	176.5	131
M16-2	158.5	117.5	223.5	165.5	271	200

GEHL®

Gehl Company 143 Water Street, P.O. Box 179, West Bend, WI 53095-0179, U.S.A.