

GEHL

Form No.
913282
Revision B
September
2007

TD 4L2009

Deutz Engine



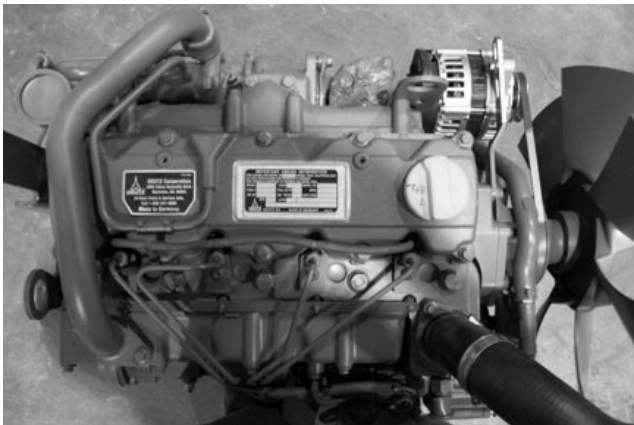
Parts Manual

NOTE: *This parts manual identifies both standard and optional features for this model. Depending on the features of the machine, some of the items identified in the parts lists may, or may not be included with your machine.*

The Table of Contents pages list the page locations of various component groups on the machine.

When ordering service parts, specify the part number, full description, quantity required, and the engine model and serial number.

Model and serial number for this engine are stamped on a plate located on the top of the valve cover. The following illustrations show the



location of the model and serial number.

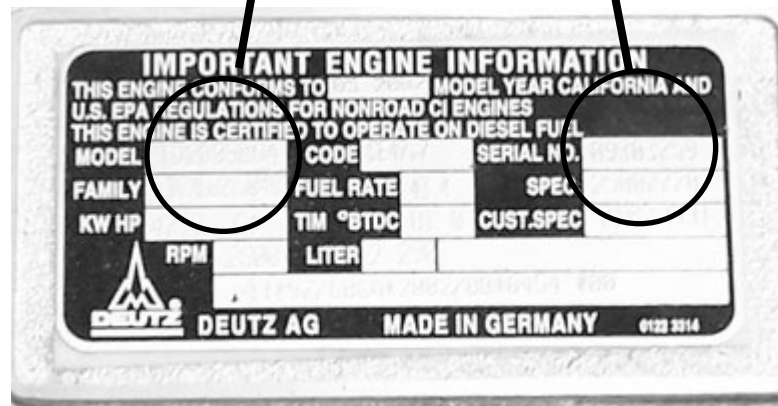
“Right” and “left” are determined from a position sitting on the seat and facing forward.

GEHL Company reserves the right to make changes or improvements in the design or construction of any part of the unit without incurring the obligation to install such changes on any unit previously delivered.

Grease fittings and common attaching hardware, such as cotter pins, set screws, woodruff keys, screws and nuts are included in the parts list, indented below the part they are associated with, but NOT illustrated, except where a particular routing or special fastening arrangement must be maintained. The hardware listed is for mounting purposes and is NOT included when the part is ordered for replacement. Standard attaching hardware torque values are provided on the inside back cover. Unless otherwise specified, all capscrews are Grade 5, cadmium or zinc plated; hexagon nuts for Grade 5 capscrews or bolts are Grade 5.

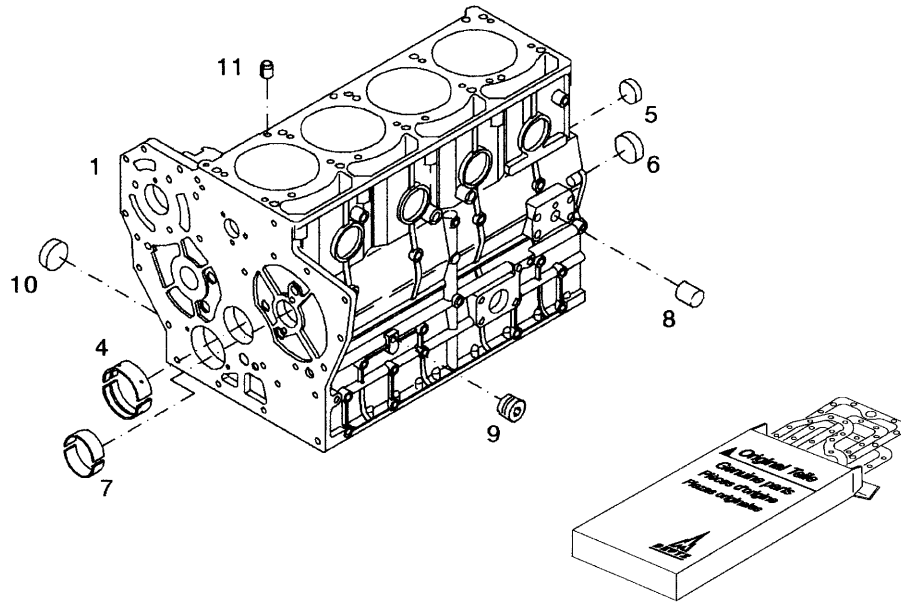
Model

Serial Number

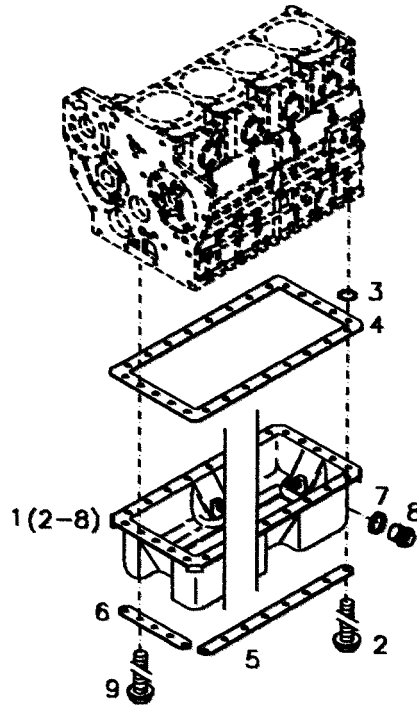


Engine Block, Plugs, and Gasket Set	2
Oil Pan	3
Dipstick	4
Front Housing	5
Front Housing Cover	6
Oil Pump	7
Oil Pump Suction Pipe	8
Idler Gear	9
Camshaft	10
Crankshaft	11
Connecting Rod	12
Piston	13
Cylinder Head	14
Valve Train	15
Fuel Injector	16
Valve Cover	17
Fuel Injector Pump	18
Fuel Injector Pump Drive	19
Fuel Supply Pump	20
Fuel Filter Group	21
Fuel Lines (High Pressure)	22
Fuel Lines (Supply and Return)	23
Intake Manifold	24
Oil Separator	25
Radiator and Hoses	26
Water Pump	27
Fan	28
Oil Cooler	29
Exhaust Manifold	30
Exhaust Heat Shield	31
Turbocharger and Exhaust Adapter	32
Turbocharger Intake Pipe and Oil Lines	33
Flywheel Housing	34
Flywheel	35
Starter	36
Glow Plug	37
Alternator	38
Electrical Senders and Block Heater	40
Numerical Index	41

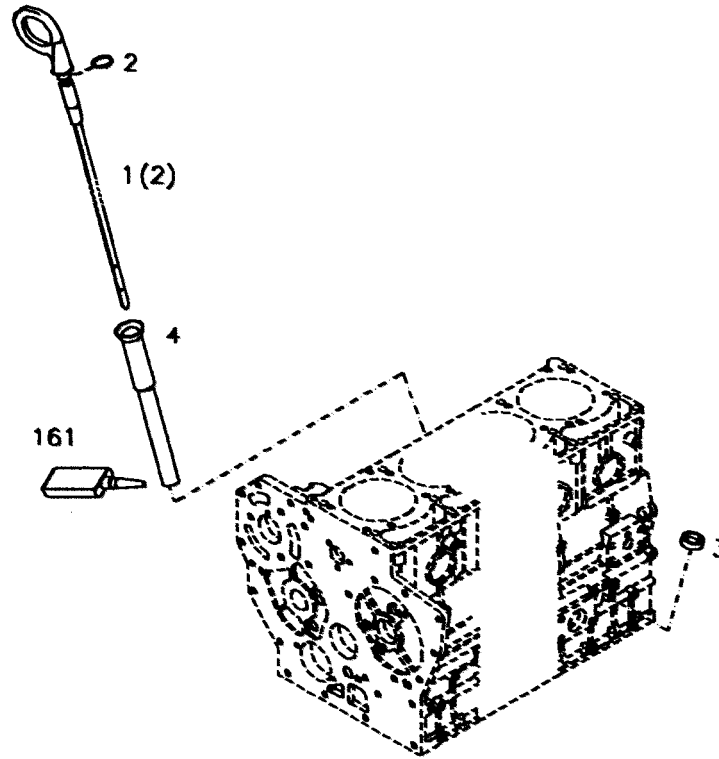
Engine Block, Plugs and Gasket Set



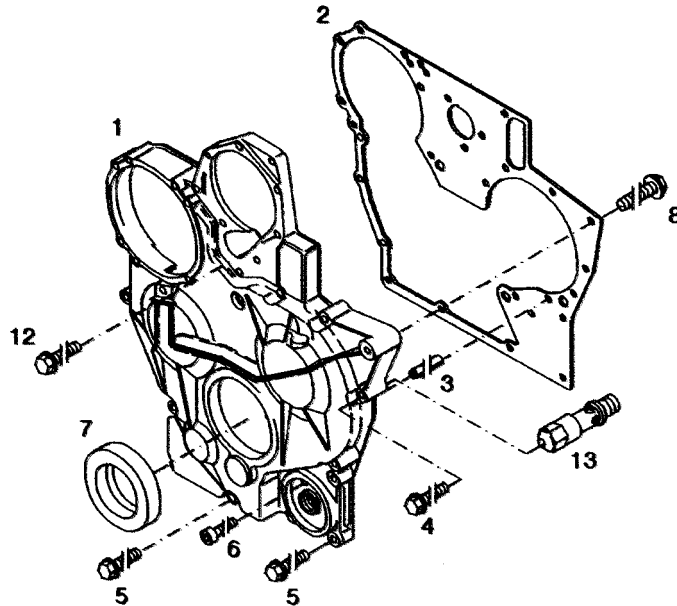
Ref. No.	Part No.	Description	Qty. Req.	Ref. No.	Part No.	Description	Qty. Req.
01	105315	ENGINE BLOCK	1	08	105316	PLUG	6
04	105312	MAIN BEARING	1	09	105496	PLUG	1
05	105397	PLUG	1	10	105396	FREEZE PLUG	1
06	105318	PLUG	5	11	105399	STRAIGHT PIN	2
07	105308	CAMSHAFT BEARING	1	12	105249	GASKET SET (COMPLETE).....	1



Ref. No.	Part No.	Description	Qty. Req.	Ref. No.	Part No.	Description	Qty. Req.
01	105315	ENGINE BLOCK	1	05	105374	STRIP	2
01	105377	OIL PAN	1	06	105375	FRONT STRIP	2
02	105289	HEX BOLT	8	07	105403	SEAL	2
03	105301	O-RING	8	08	105404	SCREW PLUG	2
04	105373	OIL PAN GASKET	1	09	105289	HEX BOLT	18



Ref. No.	Part No.	Description	Qty. Req.	Ref. No.	Part No.	Description	Qty. Req.
01	105378	DIPSTICK	1	04	105450	DIPSTICK GUIDE	1
02	105475	O-RING	1	161	133101	LOCKING AGENT	1
03	105449	PLUG	1				

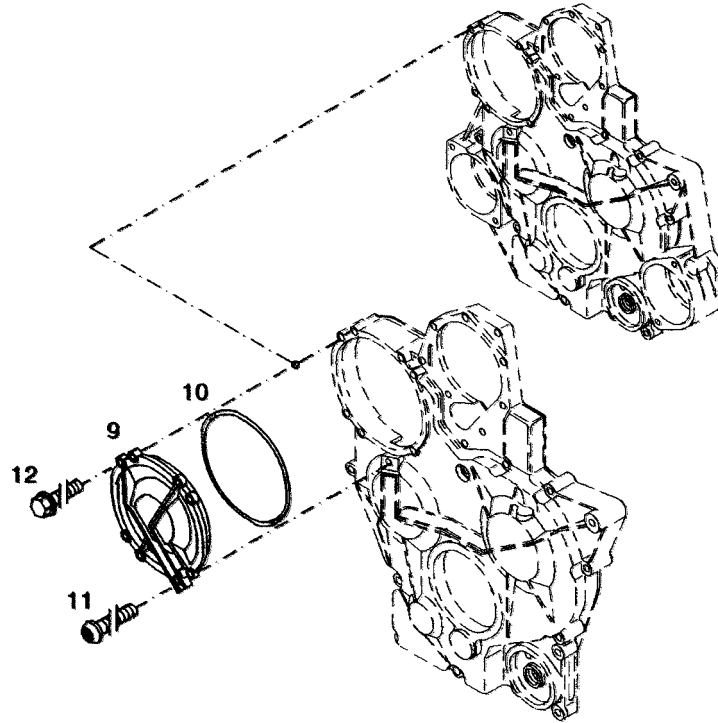


Ref. No.	Part No.	Description	Qty. Req.	Ref. No.	Part No.	Description	Qty. Req.
01	105492	GEARCASE.....	1	06	105295	SOCKET HEAD BOLT.....	1
02	105479	GASKET	1	07	105350	LIP SEAL.....	1
03	105299	PIN.....	2	08	105289	HEX BOLT.....	1
04	105288	HEX BOLT.....	9	12	105489	HEX BOLT*	5
05	105303	HEX BOLT.....	4	13	105349	OIL PRESSURE REG,VALVE	1

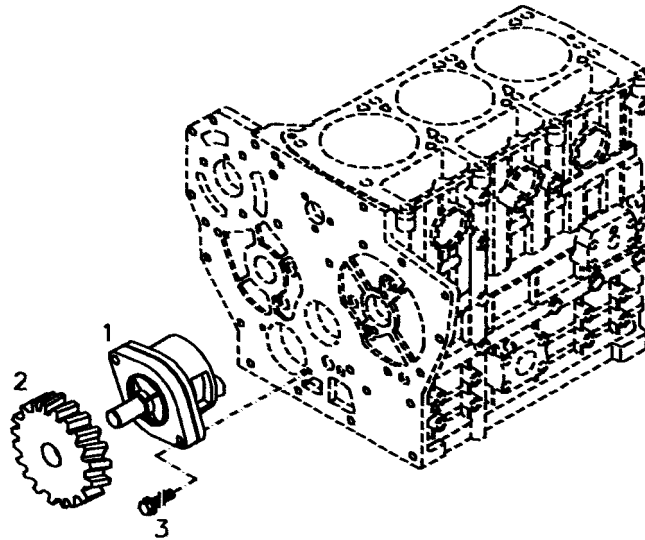
Engine

Front Housing Cover

Deutz TD 4L2009

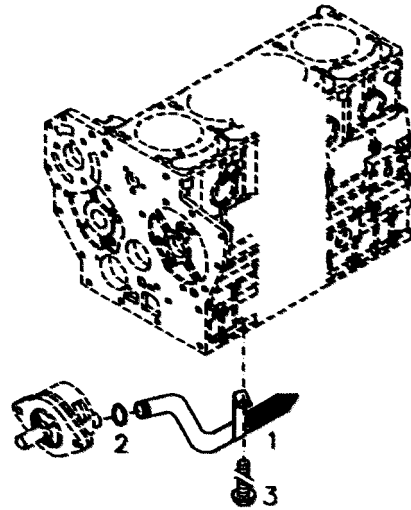


Ref. No.	Part No.	Description	Qty. Req.	Ref. No.	Part No.	Description	Qty. Req.
09	105354	COVER	1				
10	105305	O-RING	1				
11	105355	TORX HEAD BOLT	1				
12	105489	HEX BOLT	7				

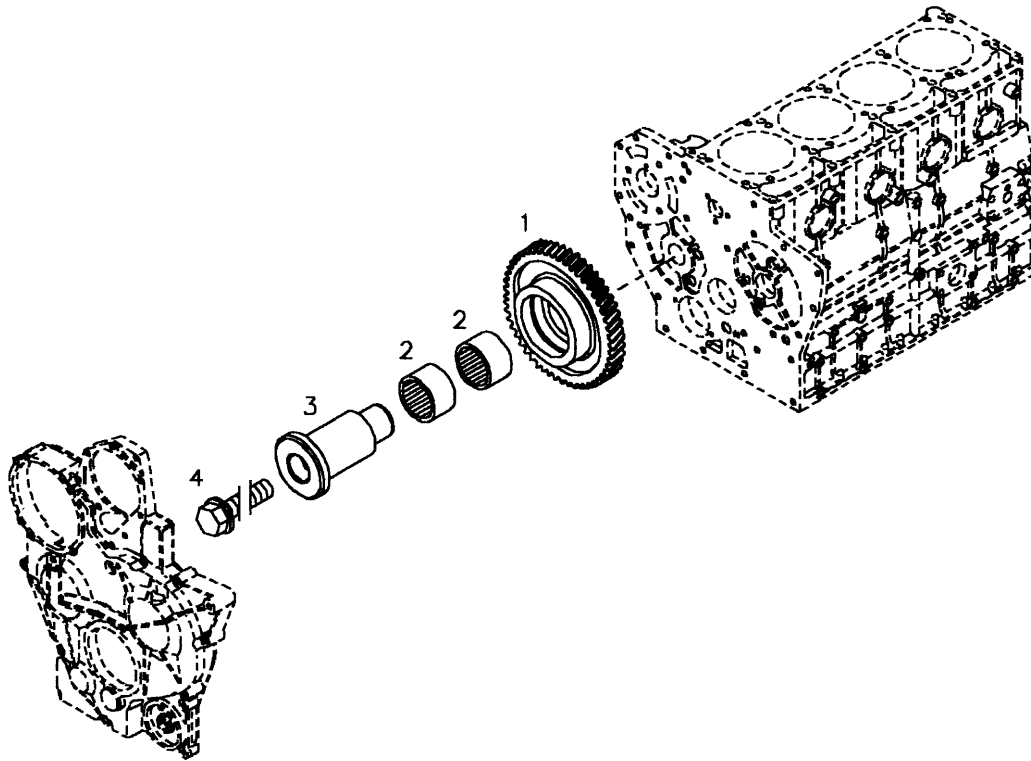


Ref. No.	Part No.	Description	Qty. Req.	Ref. No.	Part No.	Description	Qty. Req.
01	105317	OIL PUMP	1				
02	105319	OIL PUMP DRIVE GEAR	1				
03	105486	HEX BOLT	2				

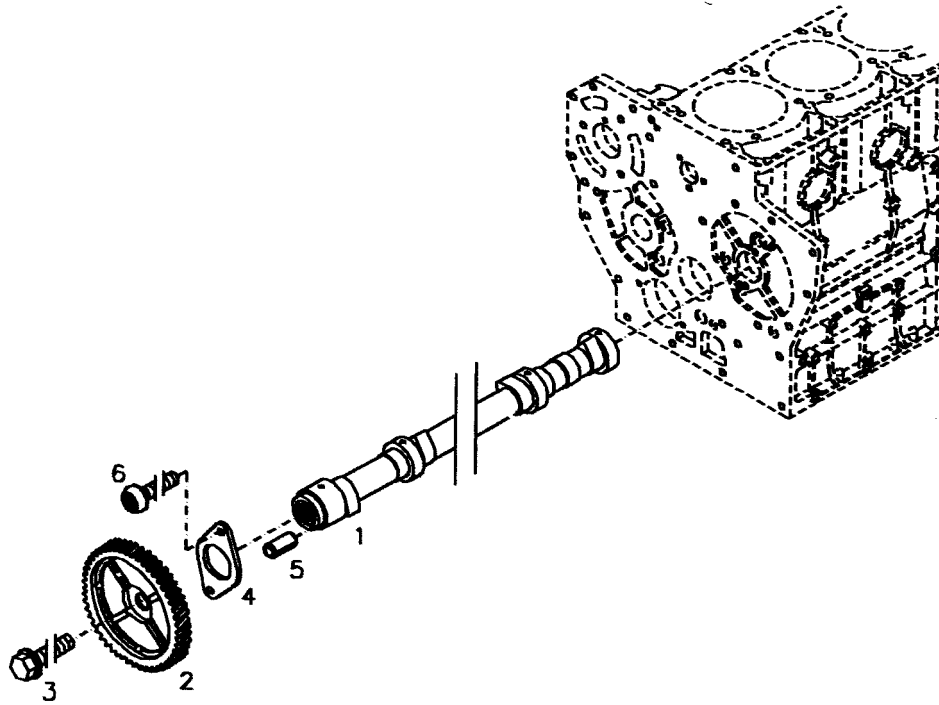
Oil Pump Suction Pipe



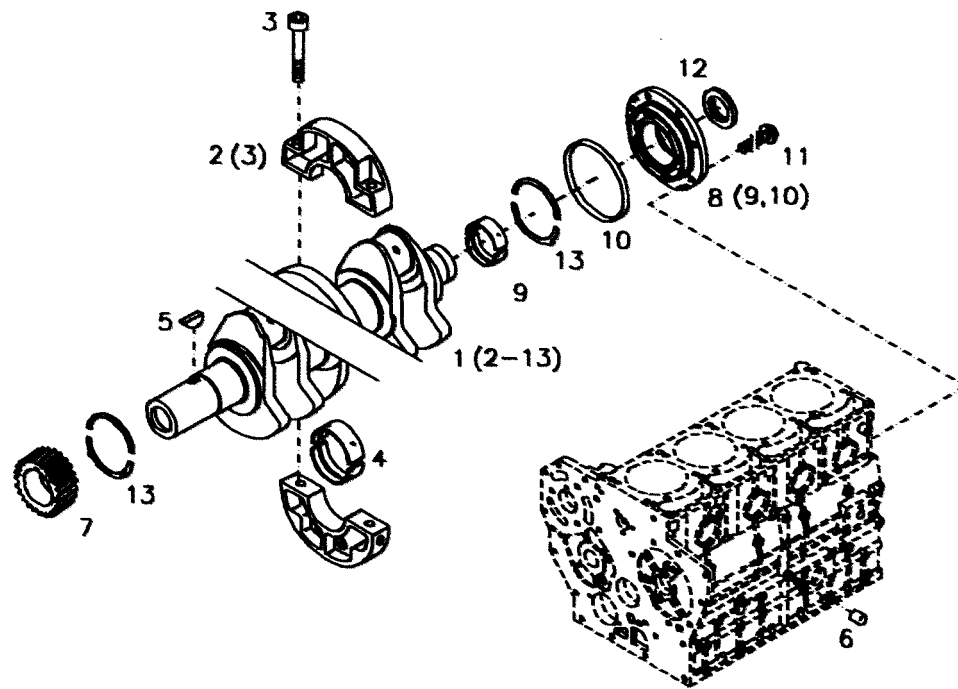
Ref. No.	Part No.	Description	Qty. Req.	Ref. No.	Part No.	Description	Qty. Req.
01	105376	INDUCTION PIPE	1				
02	105405	O-RING	1				
03	105296	HEX BOLT	1				



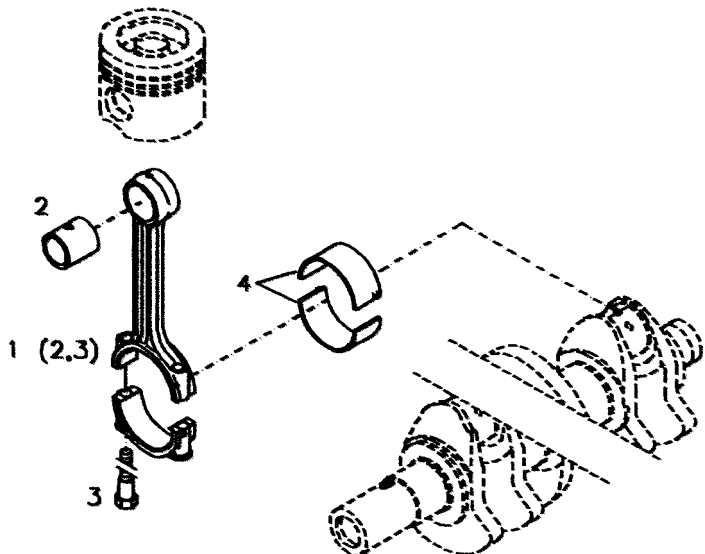
Ref. No.	Part No.	Description	Qty. Req.	Ref. No.	Part No.	Description	Qty. Req.
01	105639	IDLER GEAR.....	1	03	105641	FLANGED SHAFT.....	1
02	105640	NEEDLE ROLLER BEARING.....	2	04	105642	HEX BOLT.....	1



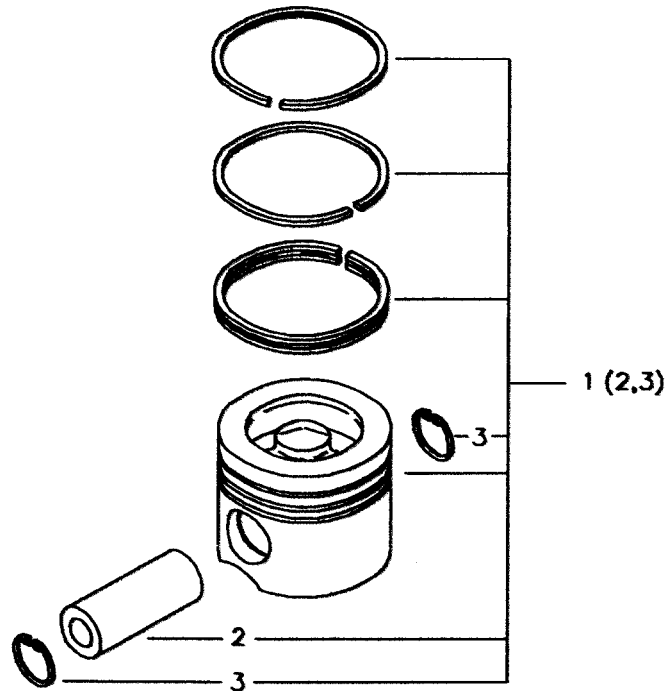
Ref. No.	Part No.	Description	Qty. Req.	Ref. No.	Part No.	Description	Qty. Req.
01	105415	CAMSHAFT	1	04	105337	THRUST PLATE	1
02	105335	CAMSHAFT GEAR	1	05	105336	ADAPTER SLEEVE.....	1
03	105339	HEX BOLT.....	1	06	105338	TORX HEAD BOLT.....	2



Ref. No.	Part No.	Description	Qty. Req.	Ref. No.	Part No.	Description	Qty. Req.
01	105314	CRANKSHAFT	1	08	105414	MAIN BEARING HOUSING.....	1
02	105413	BEARING HOUSING.....	3	09	105310	MAIN BEARING SHELL	1
03	105294	SOCKET HEAD BOLT.....	6	10	105334	O-RING	1
04	105309	MAIN BEARING	3	11	105289	HEX BOLT.....	7
05	105401	WOODRUFF KEY	1	12	105400	LIP SEAL	1
07	105333	CRANKSHAFT GEAR.....	1	13	105311	THRUST WASHER.....	2



Ref. No.	Part No.	Description	Qty. Req.	Ref. No.	Part No.	Description	Qty. Req.
NOTE: Quantities shown are for one connecting rod; the engine uses four connecting rods.				03	105357	CONNECTING ROD BOLT	2
				04	105313	CONNECTING ROD BRING (Pair).	1
01	105418	CONNECTING ROD	1				
				(Includes items 2 & 3)			
02	105356	WRIST PIN BEARING.	1				

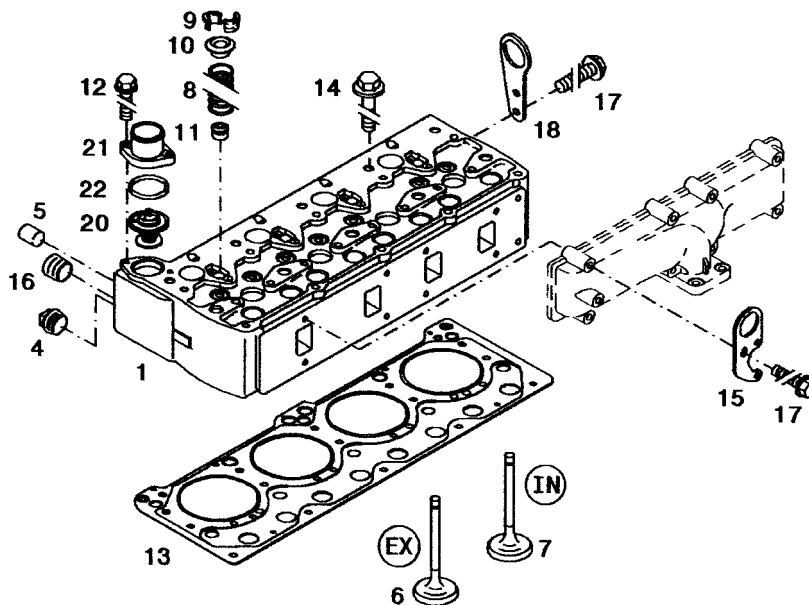


Ref. No.	Part No.	Description	Qty. Req.	Ref. No.	Part No.	Description	Qty. Req.
NOTE: Quantity shown is for one piston; the engine use four pistons.				02	105358	WRIST PIN	1
				03	105417	SNAP RING.....	2
01	105416	PISTON (Includes all items shown).	1				

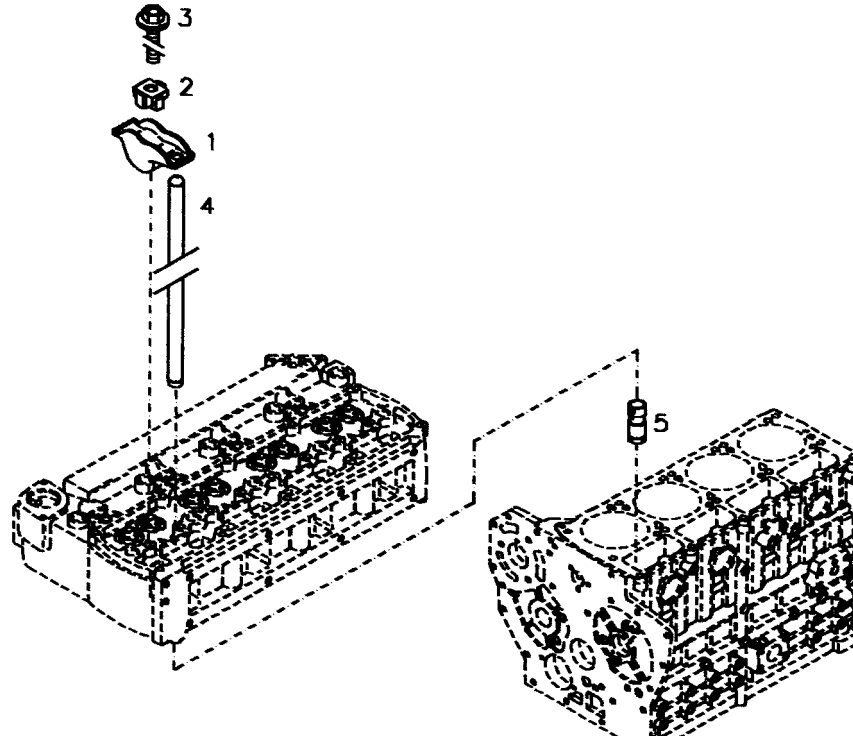
Engine

Cylinder Head

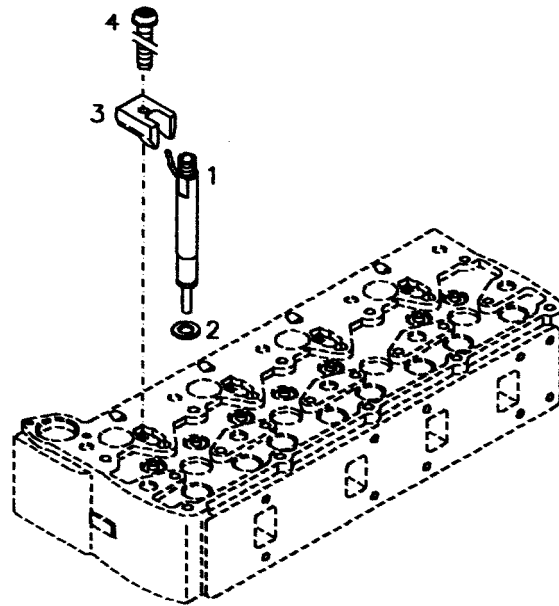
Deutz TD 4L2009



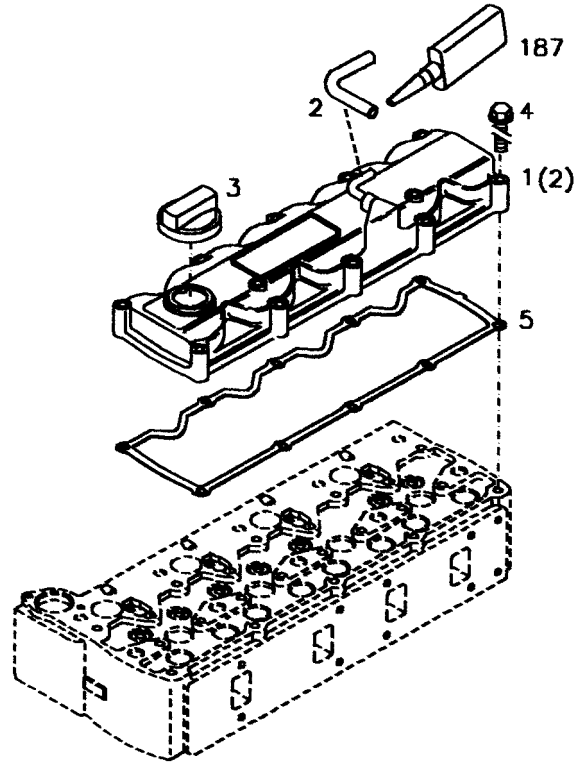
Ref. No.	Part No.	Description	Qty. Req.	Ref. No.	Part No.	Description	Qty. Req.
01	105412	CYLINDER HEAD	1	13	105419	CYLINDER HEAD GASKET	1
04	105389	PLUG	1	14	105329	CYLINDER HEAD BOLT	10
05	105316	PLUG	2	15	105428	BRACKET, LIFTING	1
06	105321	EXHAUST VALVE	4	16	105496	PLUG	1
07	105320	INTAKE VALVE	4	17	105289	HEX BOLT	2
08	105322	VALVE SPRING	8	18	105429	BRACKET, LIFTING	1
09	105324	VALVE KEEPER	16	20	105242	THERMOSTAT	1
10	105323	SPRING CAP	8	21	105251	THERMOSTAT HOUSING	1
11	105455	VALVE STEM SEAL	8	22	105460	O-RING	1
12	105303	HEX BOLT	2				



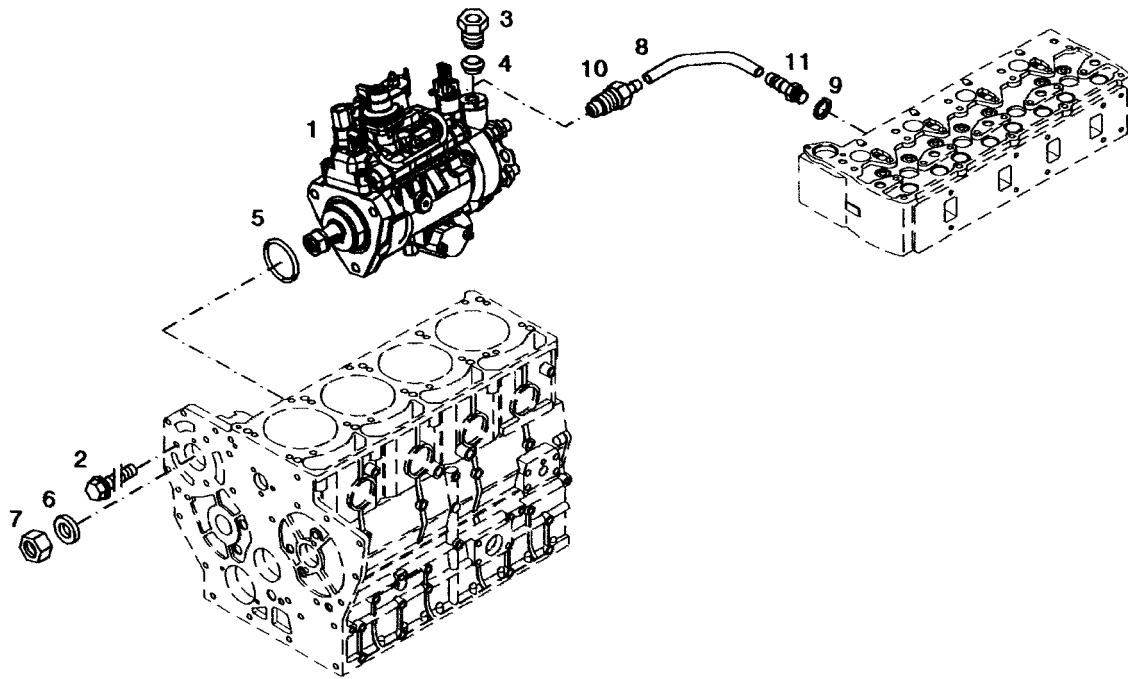
Ref. No.	Part No.	Description	Qty. Req.	Ref. No.	Part No.	Description	Qty. Req.
01	105326	ROCKER ARM	8	04	105389	PUSHROD.....	8
02	105327	ROCKER ARM BEARING.....	8	05	105325	VALVE LIFTER	8
03	105328	HEX BOLT.....	8				



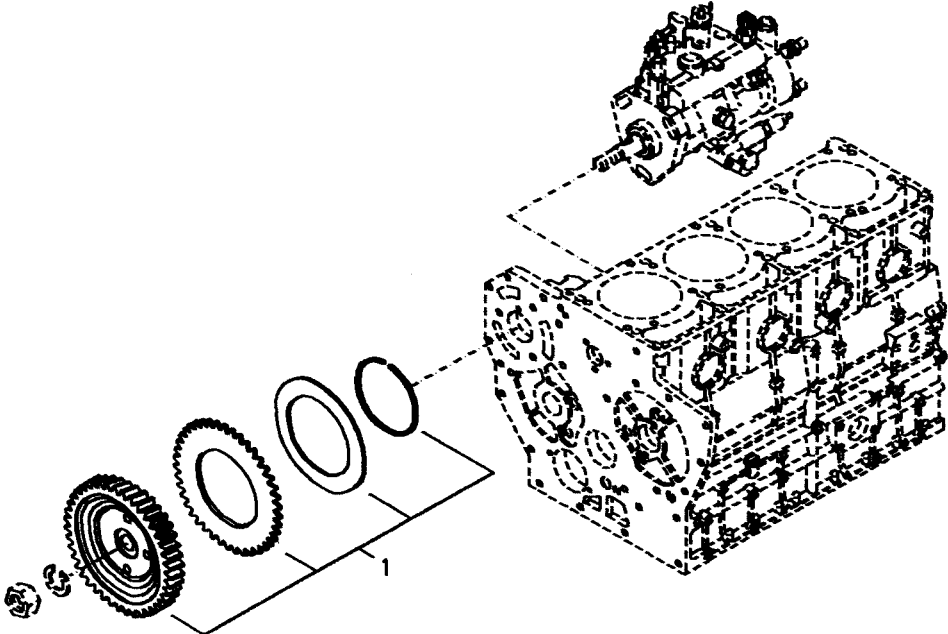
Ref. No.	Part No.	Description	Qty. Req.	Ref. No.	Part No.	Description	Qty. Req.
01	105359	FUEL INJECTOR.....	4	03	105345	INJECTOR CLAMP.....	4
02	105340	FLAT WASHER.....	4	04	105346	TORX HEAD BOLT.....	4



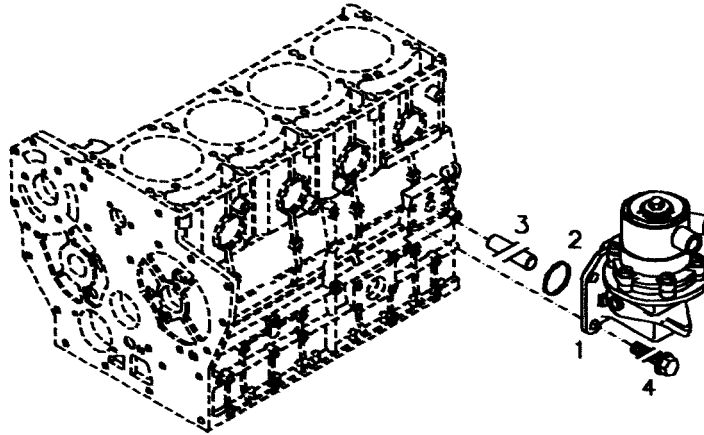
Ref. No.	Part No.	Description	Qty. Req.	Ref. No.	Part No.	Description	Qty. Req.
01	105495	VALVE COVER	1	04	105288	HEX BOLT	10
02	105494	BREATHER LINE	1	05	105360	GASKET	1
03	105501	FILLER CAP	1	187	133101	LOCKING AGENT	1



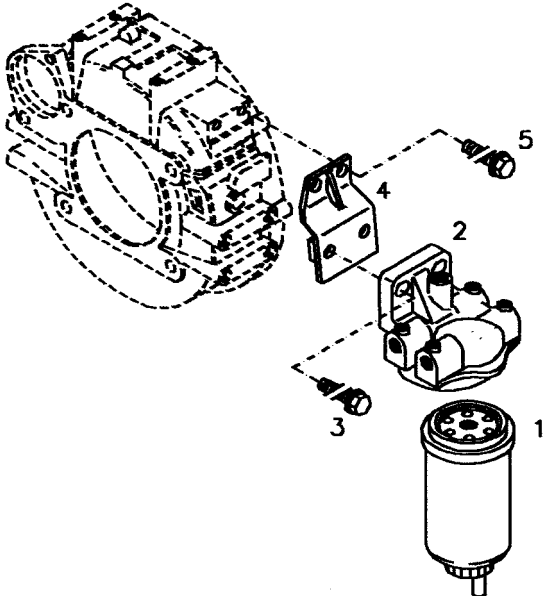
Ref. No.	Part No.	Description	Qty. Req.	Ref. No.	Part No.	Description	Qty. Req.
01	105426	INJECTOR PUMP	1	07	105291	HEX BOLT	1
02	105303	HEX BOLT	3	08	105306	ADAPTER	1
03	105365	ADAPTER	1	09	105483	SEAL	1
04	105366	CLAMP	1	10	105388	ADAPTER / TUBE	1
05	105393	O-RING	1	11	105409	HOSE ASSEMBLY	1
06	105390	FLAT WASHER	1				



Ref. No.	Part No.	Description	Qty. Req.	Ref. No.	Part No.	Description	Qty. Req.
01	105361	FUEL PUMP DRIVE GEAR ASY. . . 1					

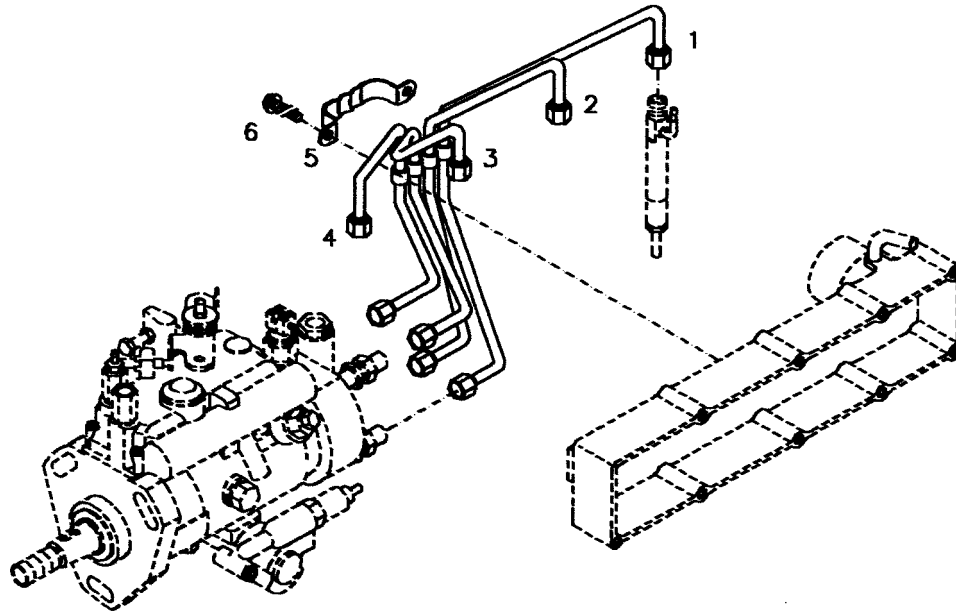


Ref. No.	Part No.	Description	Qty. Req.	Ref. No.	Part No.	Description	Qty. Req.
01	105247	SUPPLY PUMP	1	03	105386	PUSH-ROD	1
02	105459	O-RING	1	04	105487	HEX BOLT	4

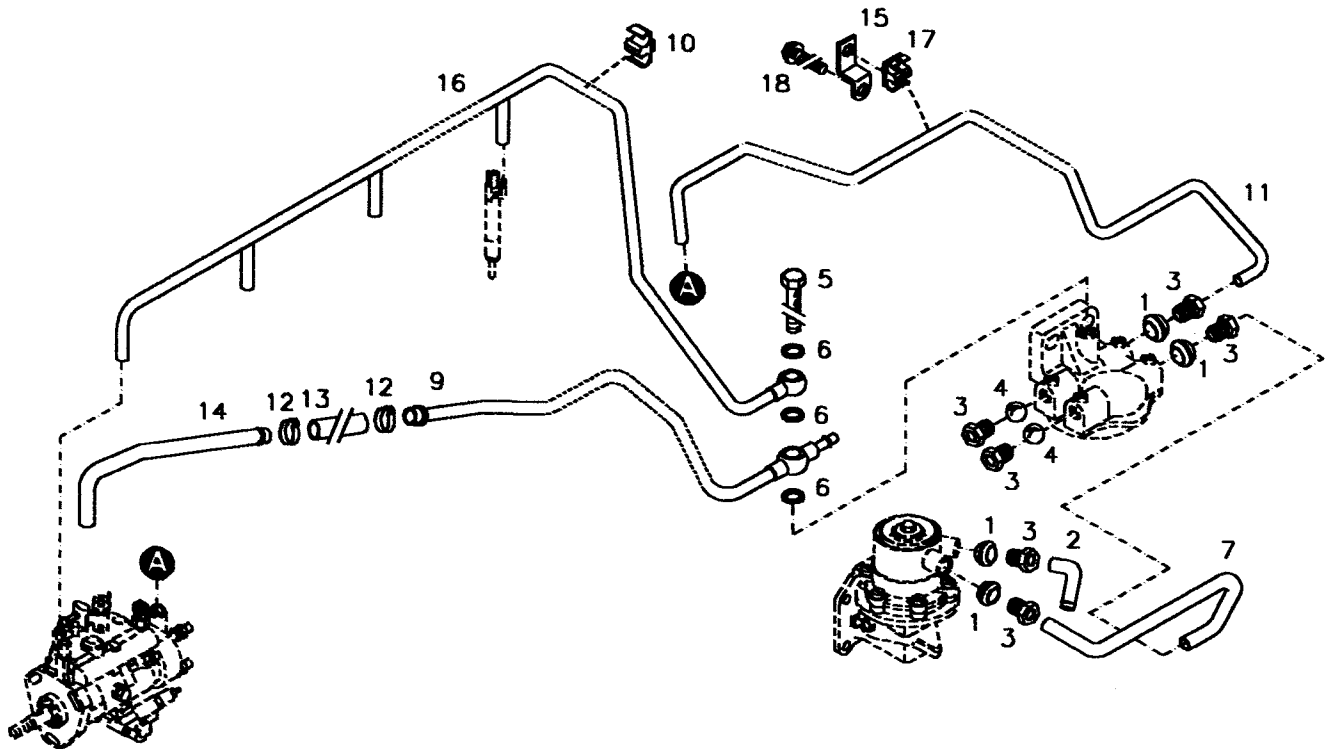


Ref. No.	Part No.	Description	Qty. Req.	Ref. No.	Part No.	Description	Qty. Req.
01	104045	FUEL FILTER	1	04	105485	BRACKET	1
02	105385	FILTER HOUSING.....	1	05	105303	HEX BOLT.....	2
03	187239	HEX BOLT.....	2				

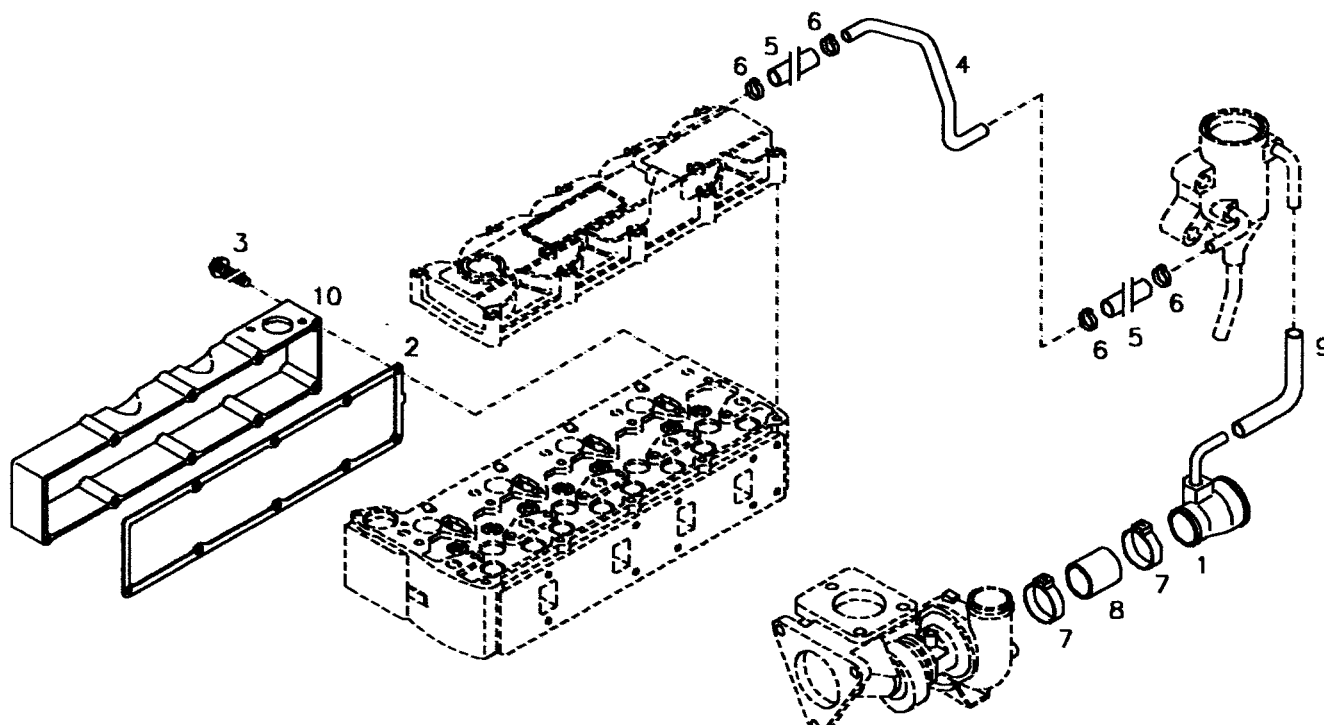
Fuel Lines (High Pressure)



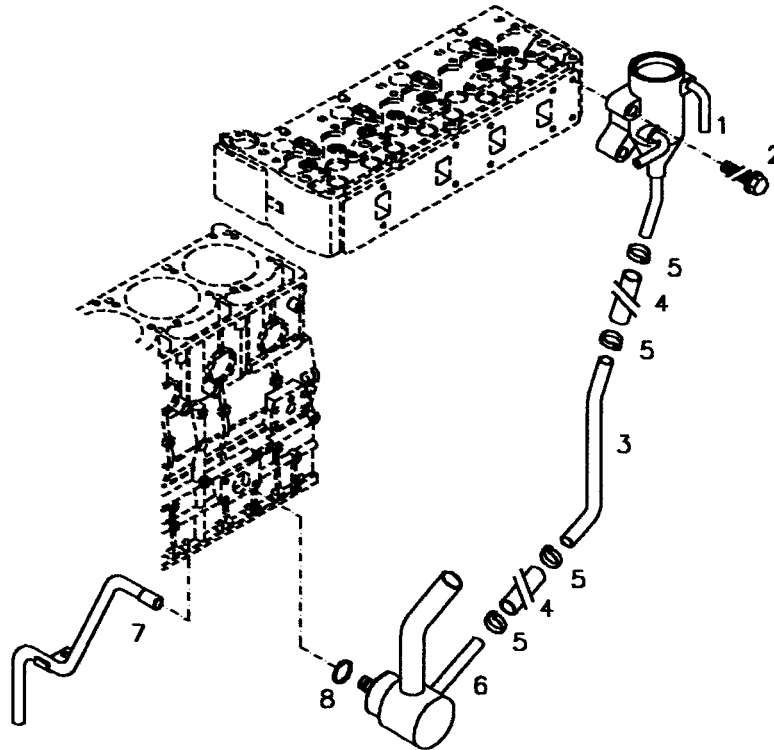
Ref. No.	Part No.	Description	Qty. Req.	Ref. No.	Part No.	Description	Qty. Req.
01	105344	HIGH PRESSURE FUEL LINE	1	04	105341	HIGH PRESSURE FUEL LINE	1
02	105343	HIGH PRESSURE FUEL LINE	1	05	105348	PIPE CLAMP	1
03	105342	HIGH PRESSURE FUEL LINE	1	06	105347	HEX BOLT	2



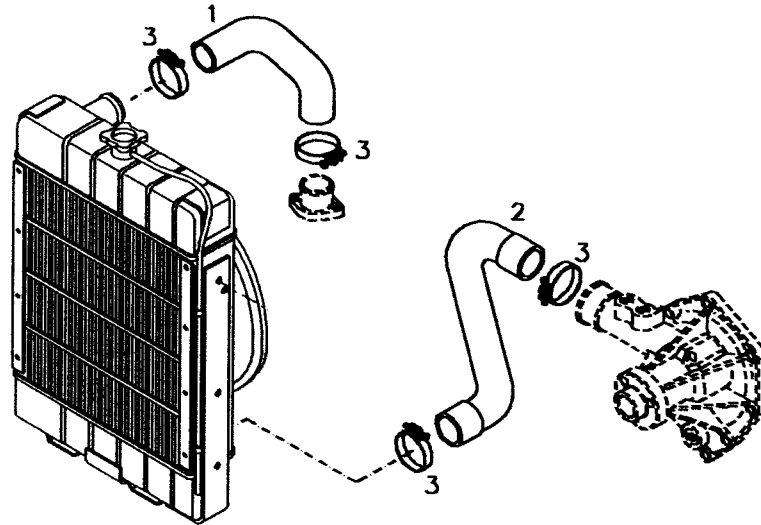
Ref. No.	Part No.	Description	Qty. Req.	Ref. No.	Part No.	Description	Qty. Req.
01	105366	CLAMP	4	11	105453	FUEL LINE.....	1
02	105387	PIPE.....	1	12	105392	HOSE CLAMP.....	2
03	105365	ADAPTER.....	6	13	105391	TUBE.....	1
04	105408	CHECK BALL.....	2	14	105490	FUEL LINE.....	1
05	105410	BANJO BOLT.....	1	15	105457	BRACKET.....	1
06	105399	SEAL.....	3	16	105451	RETURN LINE.....	1
07	105484	FUEL LINE.....	1	17	105458	HOSE CLAMP.....	1
09	105452	RETURN LINE.....	1	18	187176	HEX BOLT.....	1
10	105456	HOSE CLAMP.....	5				



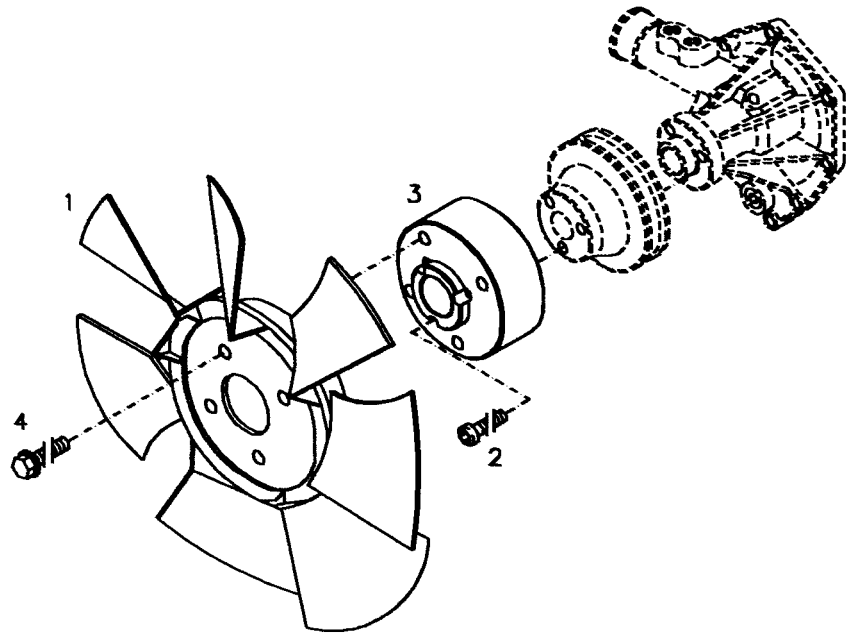
Ref. No.	Part No.	Description	Qty. Req.	Ref. No.	Part No.	Description	Qty. Req.
01	105440	INDUCTION PIPE	1	06	105380	CLAMP	6
02	105439	GASKET	1	07	105504	CLAMP	2
03	105292	HEX BOLT	9	08	105423	HOSE	2
04	105489	HEX BOLT	1	09	105471	OIL PIPE	1
05	105379	HOSE	2	10	105480	INDUCTION PIPE	



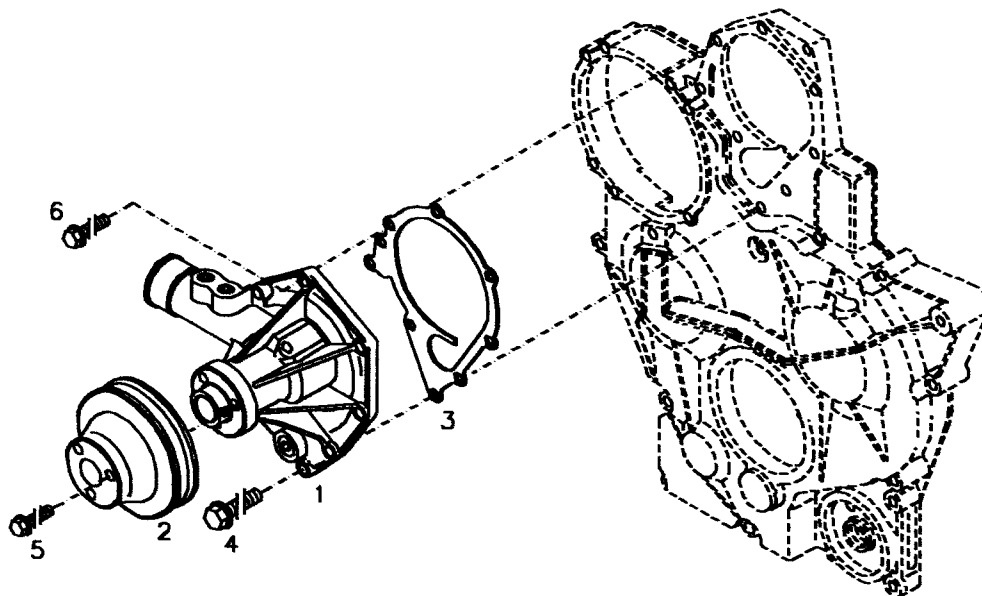
Ref. No.	Part No.	Description	Qty. Req.	Ref. No.	Part No.	Description	Qty. Req.
01	105470	OIL SEPARATOR	1	05	105380	CLAMP	4
02	105300	HEX BOLT	2	06	105473	OIL MANIFOLD	1
03	105472	OIL PIPE	1	07	105474	TUBE	1
04	105379	HOSE	2	08	105475	O-RING	1



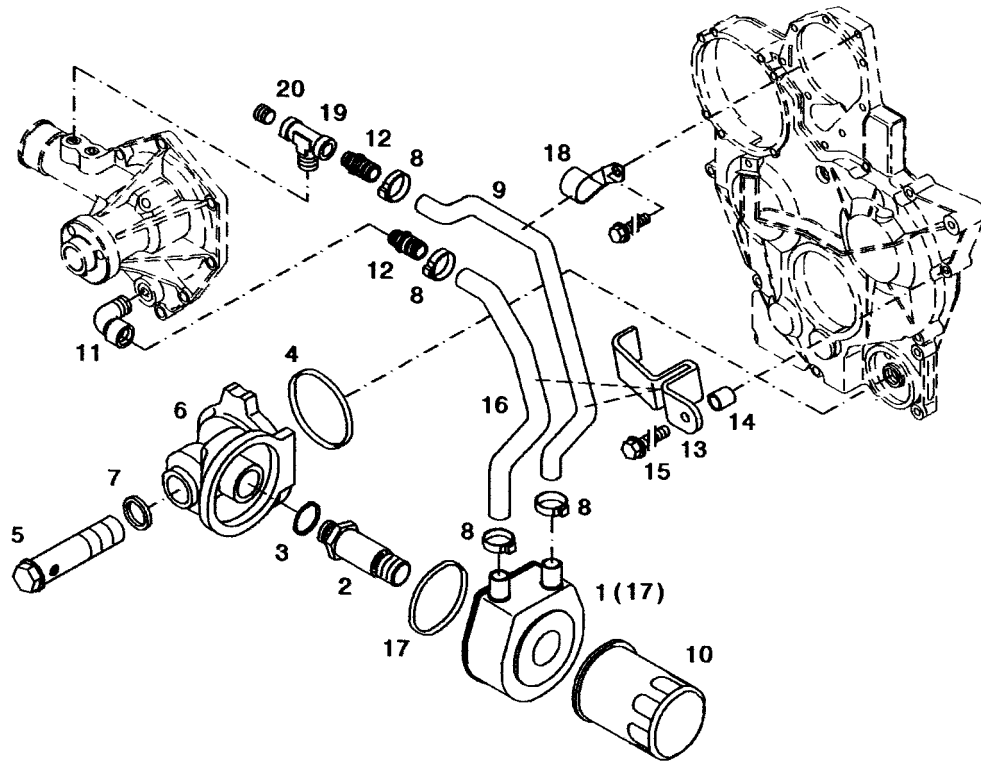
Ref. No.	Part No.	Description	Qty. Req.	Ref. No.	Part No.	Description	Qty. Req.
01	104739	UPPER RADIATOR HOSE	1	04	104378	RADIATOR	1
02	104740	LOWER RADIATOR HOSE	1			(includes shroud and radiator cap)	
03	L76020	HOSE CLAMP	4				



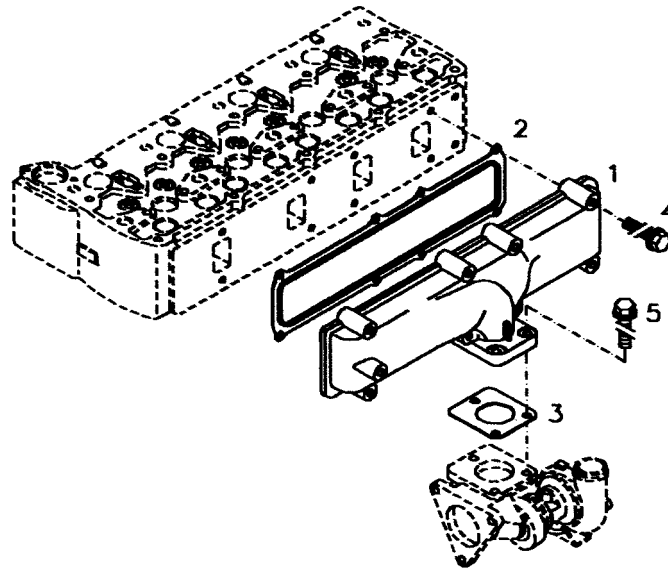
Ref. No.	Part No.	Description	Qty. Req.	Ref. No.	Part No.	Description	Qty. Req.
01	104432	FAN	1	03	104827	SPACER	1
02	105297	BUTTON HEAD BOLT.....	3	04	105289	HEX BOLT.....	4



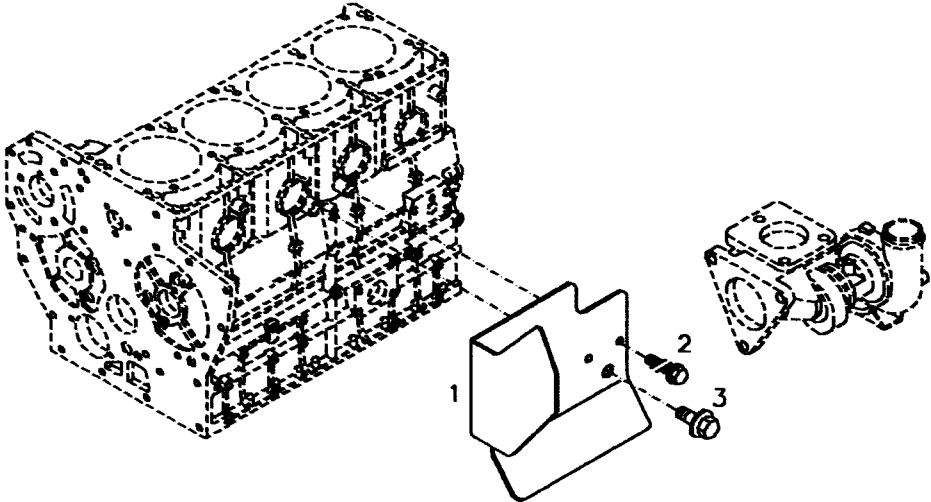
Ref. No.	Part No.	Description	Qty. Req.	Ref. No.	Part No.	Description	Qty. Req.
01	105241	WATER PUMP.....	1	04	105292	HEX BOLT.....	5
02	105351	PULLEY.....	1	05	105347	HEX BOLT.....	3
03	105352	GASKET.....	1	06	105303	HEX BOLT.....	3



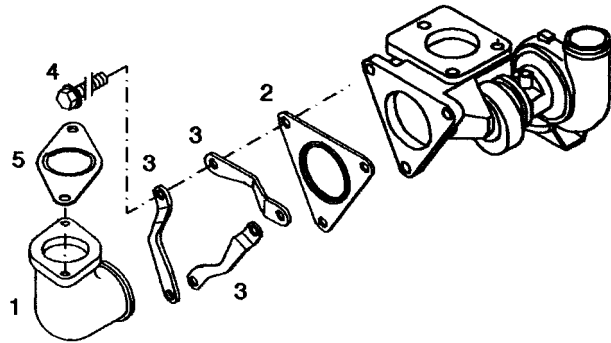
Ref. No.	Part No.	Description	Qty. Req.	Ref. No.	Part No.	Description	Qty. Req.
01	105427	OIL COOLER	1	11	105445	ADAPTER	1
02	105441	THREADED ADAPTER	1	12	105446	ADAPTER	2
03	105406	O-RING	2	13	105444	BRACKET	1
04	105469	O-RING	1	14	105467	SPACER	1
05	105382	HOLLOW BOLT	1	15	105288	HEX BOLT	1
06	105466	ADAPTER	1	16	105442	HOSE	1
07	105407	SEAL	1	17	105476	O-RING	1
08	105438	HOSE CLAMP	4	18	105493	BRACKET	1
09	105443	HOSE	1	19	105498	ADAPTER, TEE	1
10	104044	OIL FILTER	1	20	105496	PLUG	1



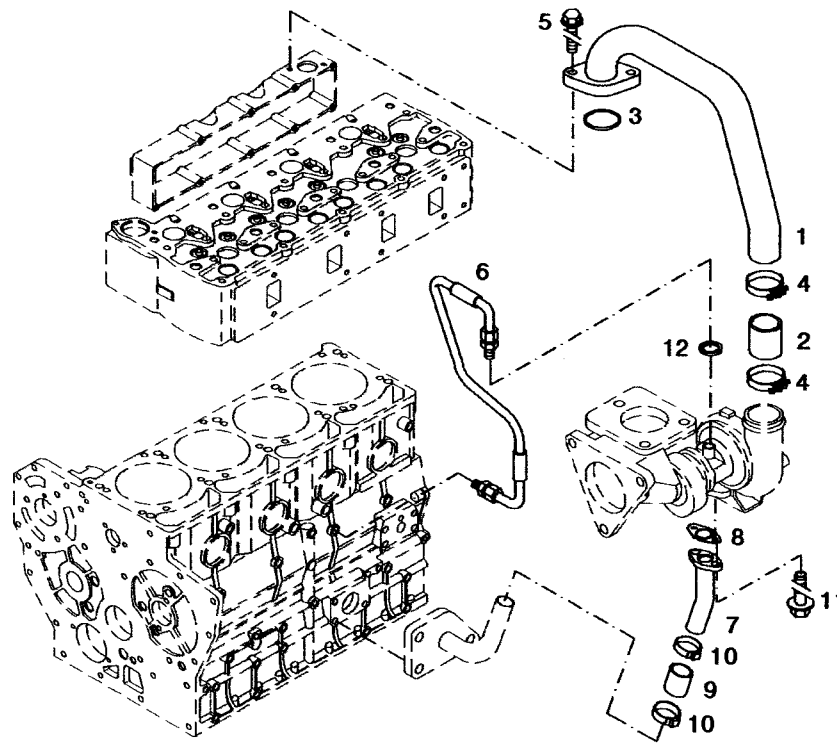
Ref. No.	Part No.	Description	Qty. Req.	Ref. No.	Part No.	Description	Qty. Req.
01	105491	EXHAUST MANIFOLD	1	04	105304	HEX BOLT	8
02	105430	GASKET	1	05	105302	HEX BOLT	3
03	105434	GASKET	1				



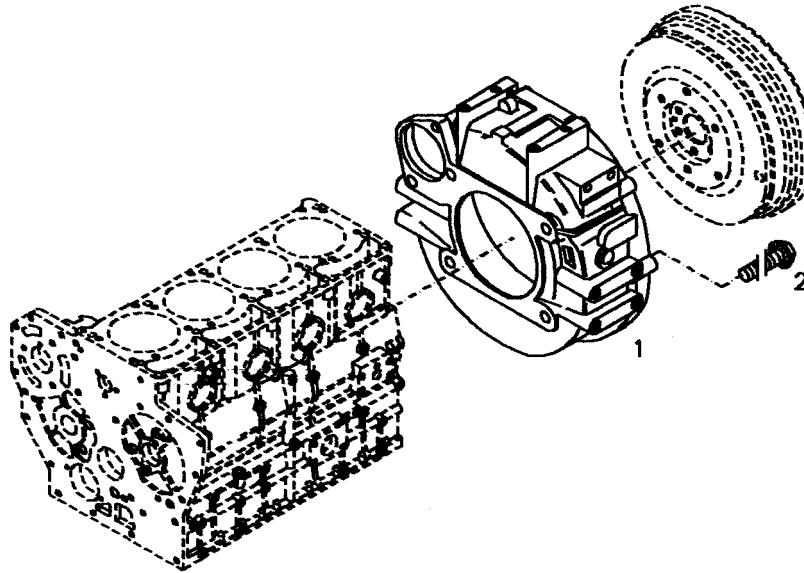
Ref. No.	Part No.	Description	Qty. Req.	Ref. No.	Part No.	Description	Qty. Req.
01	105448	HEAT SHIELD	1	03	105447	HEX BOLT	1
02	105298	HEX BOLT	2				



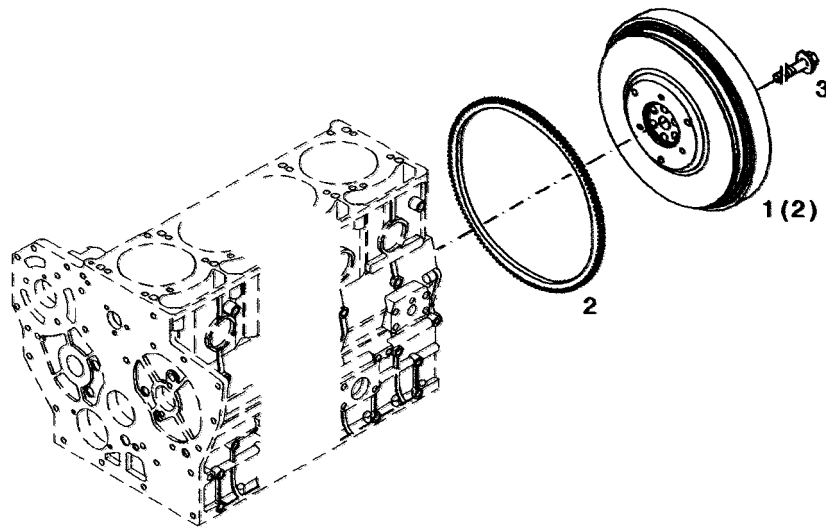
Ref. No.	Part No.	Description	Qty. Req.	Ref. No.	Part No.	Description	Qty. Req.
01	105421	EXHAUST ELBOW	1	04	105302	HEX BOLT.....	3
02	105433	GASKET	1	05	105362	GASKET	1
03	105420	CLAMP	3	06	105245	TURBO	1



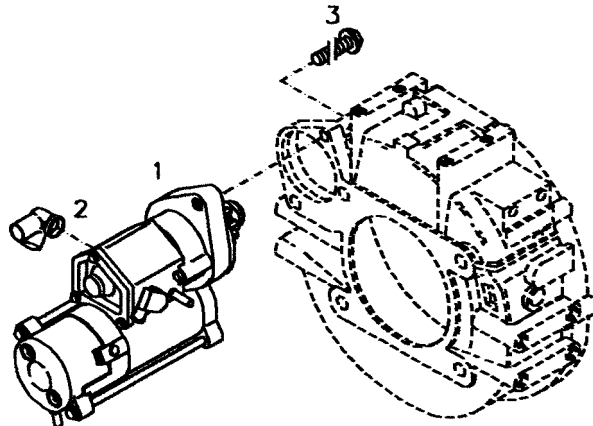
Ref. No.	Part No.	Description	Qty. Req.	Ref. No.	Part No.	Description	Qty. Req.
01	105478	AIR INTAKE PIPE	1	07	105468	OIL DRAIN PIPE	1
02	105422	HOSE	1	08	105435	GASKET	1
03	105461	O-RING	1	09	105425	HOSE	1
04	105437	CLAMP	2	10	105438	CLAMP	2
05	105290	HEX BOLT	2	11	105436	HEX BOLT	2
06	105424	OIL PIPE	1	12	105483	SEAL	1



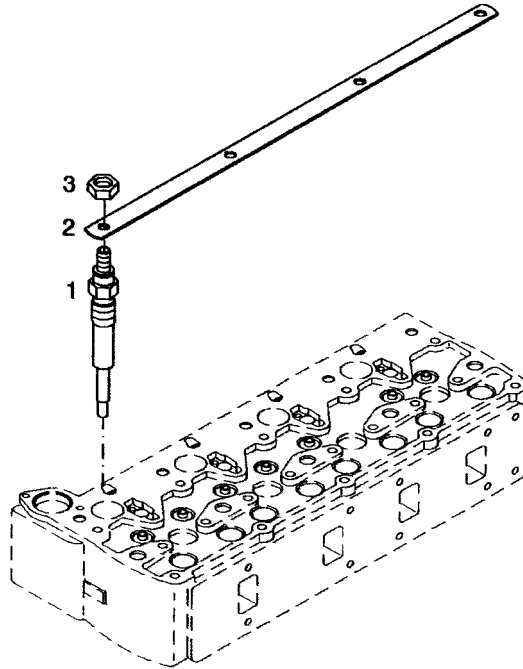
Ref. No.	Part No.	Description	Qty. Req.	Ref. No.	Part No.	Description	Qty. Req.
01	105481	FLYWHEEL HOUSING	1				
02	105482	LOCKING BOLT	4				



Ref. No.	Part No.	Description	Qty. Req.	Ref. No.	Part No.	Description	Qty. Req.
01	105482	FLYWHEEL (INCLUDES ITEM #2) .	1				
02	105367	GEAR RING	1				
03	105368	BOLT	6				



Ref. No.	Part No.	Description	Qty. Req.	Ref. No.	Part No.	Description	Qty. Req.
01	105243	STARTER	1				
02	105369	RUBBER GROMMET	1				
03	105293	HEX BOLT	2				



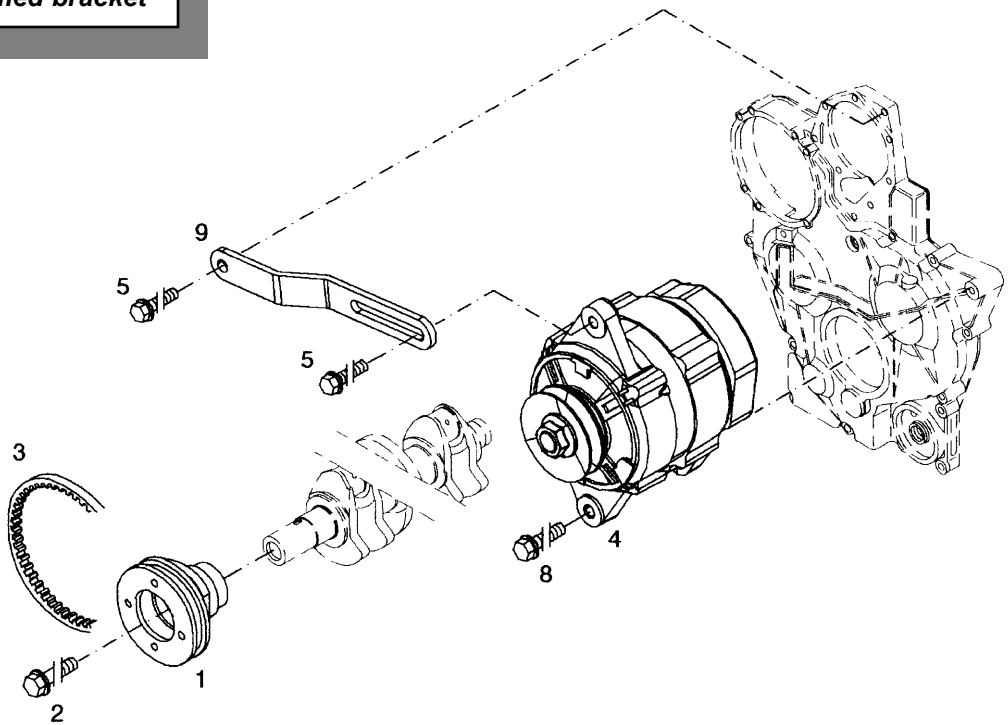
Ref. No.	Part No.	Description	Qty. Req.	Ref. No.	Part No.	Description	Qty. Req.
01	105330	GLOW PLUG	4				
02	105332	CONNECTING RAIL	1				
03	105331	LOCKING NUT	4				

Engine

Alternator (Late Style)

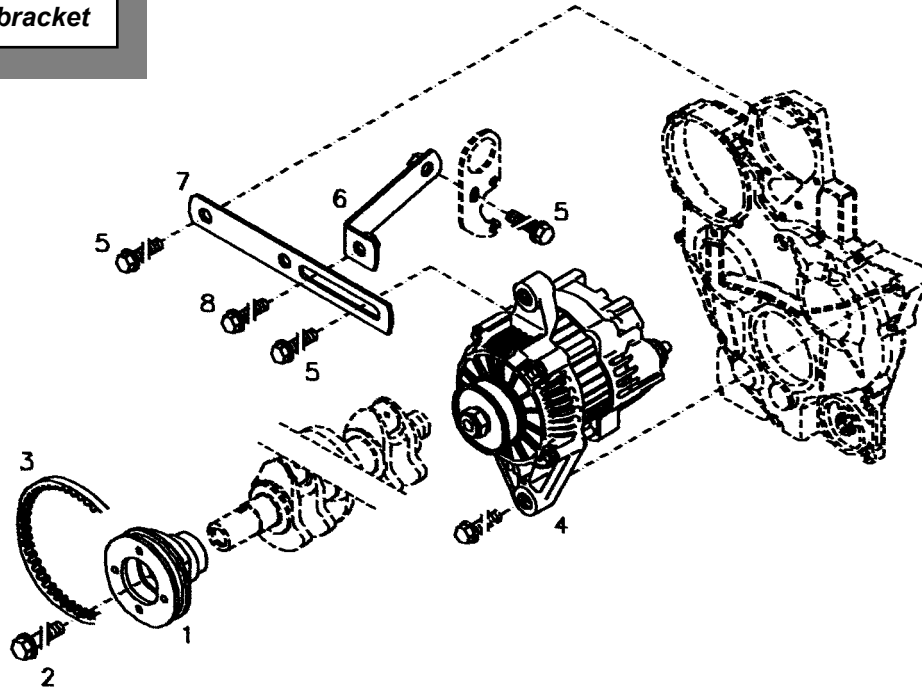
Deutz TD 4L2009

NOTE: Late style alternator uses formed bracket



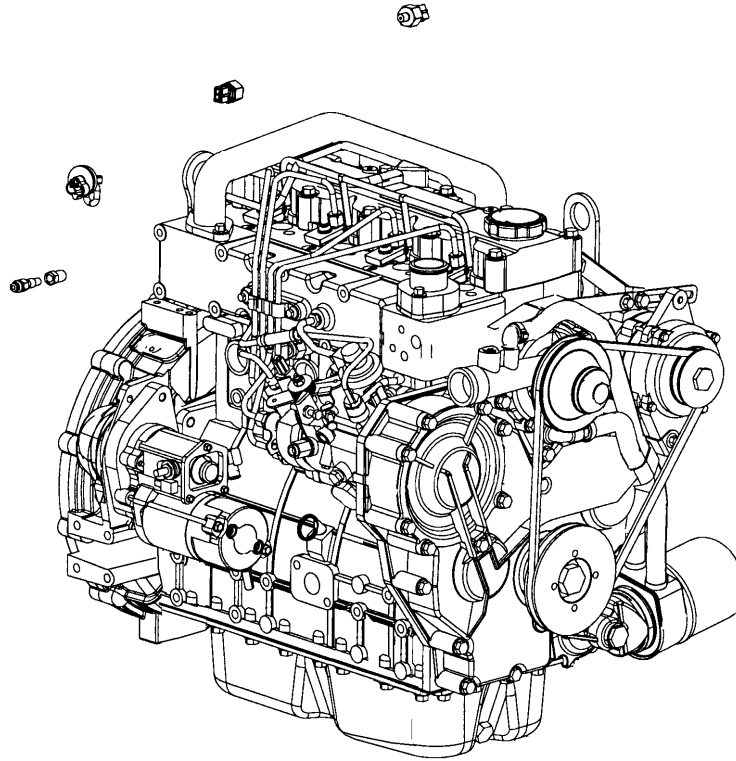
Ref. No.	Part No.	Description	Qty. Req.	Ref. No.	Part No.	Description	Qty. Req.
01	105477	PULLEY.....	1	05	105488	HEX BOLT.....	2
02	105370	HEX BOLT.....	1	08	105644	HEX BOLT.....	1
03	104311	V-BELT.....	1	09	105645	BRACKET.....	1
04	105244	ALTERNATOR.....	1	950	105646	HEX BOLT.....	1

**NOTE: Early style
alternator uses
straight bracket**



Ref. No.	Part No.	Description	Qty. Req.	Ref. No.	Part No.	Description	Qty. Req.
01	105477	PULLEY.....	1	05	105290	HEX BOLT.....	3
02	105370	HEX BOLT.....	1	06	105372	BRACKET.....	1
03	104311	V-BELT.....	1	07	105353	BRACKET.....	1
04	105244	ALTERNATOR.....	1	08	105300	HEX BOLT.....	1

Sensors, Switches and Block Heater



Ref. No.	Part No.	Description	Qty. Req.	Ref. No.	Part No.	Description	Qty. Req.
01	104308	OIL PRESSURE SWITCH.	1	04	104176	WATER TEMPERATURE SENSOR 1	1
		(located near fuel filter)		05	104232	BUSHING, 1/4" SPTM-1/8" PPTF . . .	1
02	104309	TEMPERATURE SWITCH.	1				
03	104310	BLOCK HEATER.	1				
		(400W 115V (optional))					




Part No.	Page No.	Ref. No.	Part No.	Page No.	Ref. No.	Part No.	Page No.	Ref. No.	Part No.	Page No.	Ref. No.
104044	29	10	105308	2	07	105362	32	05	105423	24	08
104045	21	01	105309	11	04	105365	18	03	105424	33	06
104176	40	04	105310	11	09	105365	23	03	105425	33	09
104232	40	05	105311	11	13	105366	18	04	105426	18	01
104308	40	01	105312	2	04	105366	23	01	105427	29	01
104309	40	02	105313	12	04	105367	35	02	105428	14	15
104310	40	03	105314	11	01	105368	35	03	105429	14	18
104311	38	03	105315	2	01	105369	36	02	105430	30	02
104311	39	03	105315	3	01	105370	38	02	105433	32	02
104378	26	04	105316	2	08	105370	39	02	105434	30	03
104432	27	01	105316	14	05	105372	39	06	105435	33	08
104739	26	01	105317	7	01	105373	3	04	105436	33	11
104740	26	02	105318	2	06	105374	3	05	105437	33	04
104827	27	03	105319	7	02	105375	3	06	105438	29	08
105241	28	01	105320	14	07	105376	8	01	105438	33	10
105242	14	20	105321	14	06	105377	3	01	105439	24	02
105243	36	01	105322	14	08	105378	4	01	105440	24	01
105244	38	04	105323	14	10	105379	24	05	105441	29	02
105244	39	04	105324	14	09	105379	25	04	105442	29	16
105245	32	06	105325	15	05	105380	24	06	105443	29	09
105247	20	01	105326	15	01	105380	25	05	105444	29	13
105249	2	12	105327	15	02	105382	29	05	105445	29	11
105251	14	21	105328	15	03	105385	21	02	105446	29	12
105288	5	04	105329	14	14	105386	20	03	105447	31	03
105288	17	04	105330	37	01	105387	23	02	105448	31	01
105288	29	15	105331	37	03	105388	18	10	105449	4	03
105289	3	02	105332	37	02	105389	14	04	105450	4	04
105289	3	09	105333	11	07	105389	15	04	105451	23	16
105289	5	08	105334	11	10	105390	18	06	105452	23	09
105289	11	11	105335	10	02	105391	23	13	105453	23	11
105289	14	17	105336	10	05	105392	23	12	105455	14	11
105289	27	04	105337	10	04	105393	18	05	105456	23	10
105290	33	05	105338	10	06	105396	2	10	105457	23	15
105290	39	05	105339	10	03	105397	2	05	105458	23	17
105291	18	07	105340	16	02	105399	2	11	105459	20	02
105292	24	03	105341	22	04	105399	23	06	105460	14	22
105292	28	04	105342	22	03	105400	11	12	105461	33	03
105293	36	03	105343	22	02	105401	11	05	105466	29	06
105294	11	03	105344	22	01	105403	3	07	105467	29	14
105295	5	06	105345	16	03	105404	3	08	105468	33	07
105296	8	03	105346	16	04	105405	8	02	105469	29	04
105297	27	02	105347	22	06	105406	29	03	105470	25	01
105298	31	02	105347	28	05	105407	29	07	105471	24	09
105299	5	03	105348	22	05	105408	23	04	105472	25	03
105300	25	02	105349	5	13	105409	18	11	105473	25	06
105300	39	08	105350	5	07	105410	23	05	105474	25	07
105301	3	03	105351	28	02	105412	14	01	105475	4	02
105302	30	05	105352	28	03	105413	11	02	105475	25	08
105302	32	04	105353	39	07	105414	11	08	105476	29	17
105303	5	05	105354	6	09	105415	10	01	105477	38	01
105303	14	12	105355	6	11	105416	13	01	105477	39	01
105303	18	02	105356	12	02	105417	13	03	105478	33	01
105303	21	05	105357	12	03	105418	12	01	105479	5	02
105303	28	06	105358	13	02	105419	14	13	105480	24	10
105304	30	04	105359	16	01	105420	32	03	105481	34	01
105305	6	10	105360	17	05	105421	32	01	105482	34	02
105306	18	08	105361	19	01	105422	33	02	105482	35	01



Part No.	Page No.	Ref. No.	Part No.	Page No.	Ref. No.	Part No.	Page No.	Ref. No.	Part No.	Page No.	Ref. No.
105483	18	09									
105483	33	12									
105484	23	07									
105485	21	04									
105486	7	03									
105487	20	04									
105488	38	05									
105489	5	12									
105489	6	12									
105489	24	04									
105490	23	14									
105491	30	01									
105492	5	01									
105493	29	18									
105494	17	02									
105495	17	01									
105496	2	09									
105496	14	16									
105496	29	20									
105498	29	19									
105501	17	03									
105504	24	07									
105639	9	01									
105640	9	02									
105641	9	03									
105642	9	04									
105644	38	08									
105645	38	09									
105646	38	950									
133101	4	161									
133101	17	187									
187176	23	18									
187239	21	03									
L76020	26	03									

Deutz TD 4L2009

Torque Specifications

Use these torque values when tightening hardware (excluding: locknuts and self-tapping, thread-forming and metal screws) unless otherwise specified.

Unified National Thread	Grade 2 		Grade 5 		Grade 8 	
	Dry	Lubed	Dry	Lubed	Dry	Lubed
8-32	19*	14*	30*	22*	41*	31*
8-36	20*	15*	31*	23*	43*	32*
10-24	27*	21*	43*	32*	60*	45*
10-32	31*	23*	49*	36*	68*	51*
1/4-20	66*	50*	9	75*	12	9
1/4-28	76*	56*	10	86*	14	10
5/16-18	11	9	17	13	25	18
5/16-24	12	9	19	14	25	20
3/8-16	20	15	30	23	45	35
3/8-24	23	17	35	25	50	35
7/16-14	32	24	50	35	70	55
7/16-20	36	27	55	40	80	60
1/2-13	35	35	75	55	110	80
1/2-20	40	40	90	65	120	90
9/16-12	55	55	110	80	150	110
9/16-18	60	60	120	90	170	130
5/8-11	75	75	150	110	220	170
5/8-18	85	85	180	130	240	180
3/4-10	130	130	260	200	380	280
3/4-16	150	150	300	220	420	320
7/8-9	125	125	430	320	600	460
7/8-14	140	140	470	360	660	500
1-8	190	190	640	480	900	680
1-14	210	210	710	530	1000	740

Metric Course Thread	Grade 8.8 		Grade 10.9 		Grade 12.9	
	Dry	Lubed	Dry	Lubed	Dry	Lubed
M6-1	8	6	11	7	13.5	10*
24M8-1.25	19	14	27	20	32.5	24*
M10-1.5	37.5	28	53	39	64	47
M12-1.75	65	48	91.5	67.5	111.5	82
M14-2	103.5	76.5	145.5	108	176.5	131
M16-2	158.5	117.5	223.5	165.5	271	200

* All torque values are in lb.-ft. except those marked with an *, which are in lb.-in.
For metric torque value (Nm); multiply lb.-ft. x 1.355 or lb.-in. value x 0.113.

GEHL®

GEHL Company 143 Water Street, P.O. Box 179, West Bend, WI 53095-0179 U.S.A.
www.gehl.com