

Yanmar 4TNV98-ZNMS 4TNV98T-ZNMS 4TNV98-ZNTBL 4TNV98T-ZNTBL Engines

(P/N's 192809, 192808,
242474, 241451, 196108,
196340)

Mustang 2066/76/86, 2700V
and Gehl 56/6640E, V270
Skid-Steer Loaders

Gehl CTL65/75 and
Mustang MTL316/320
Compact
Track
Loaders



Form No.
917304

Revision D
09/10

ENGINE PARTS MANUAL

Introduction

This manual covers the Yanmar 4TNV98-ZNMS (and Turbocharged version) and 4TNV98-ZNTBL (and Turbocharged version) engines with the following part numbers:

Part Number 192809: Mustang 2066 (naturally-aspirated)

Part Number 192808: Mustang 2076 and 2086 (turbocharged)

Part Number 242474: Mustang 2066 (naturally-aspirated)

Part Number 241451: Mustang 2076/2086/2700V and Gehl 5640E/6640E/V270 (turbocharged)

Part Number 196108: Gehl CTL65 and Mustang MTL316 (naturally-aspirated)

Part Number 196340: Gehl CTL75 and Mustang MTL320 (turbocharged)

When ordering service parts, specify the correct part number, full description, quantity required, and the engine model number and serial number.

Items shown that do not have a part number are shown for reference purposes only and are not available for purchase. Part numbers may change. Your Gehl or Mustang dealer will have the latest part number.

Gehl® Company and the Mustang® Manufacturing Co., Inc., reserve the right to make changes or improvements in the design or construction of any part of the unit without incurring the obligation to install such changes on any previously delivered units.

IMPORTANT

For maximum engine life, when shutting the engine down, allow the engine to idle, without load, for five minutes. This will allow engine components that operate at high temperatures to cool slightly before the engine itself is shut down.

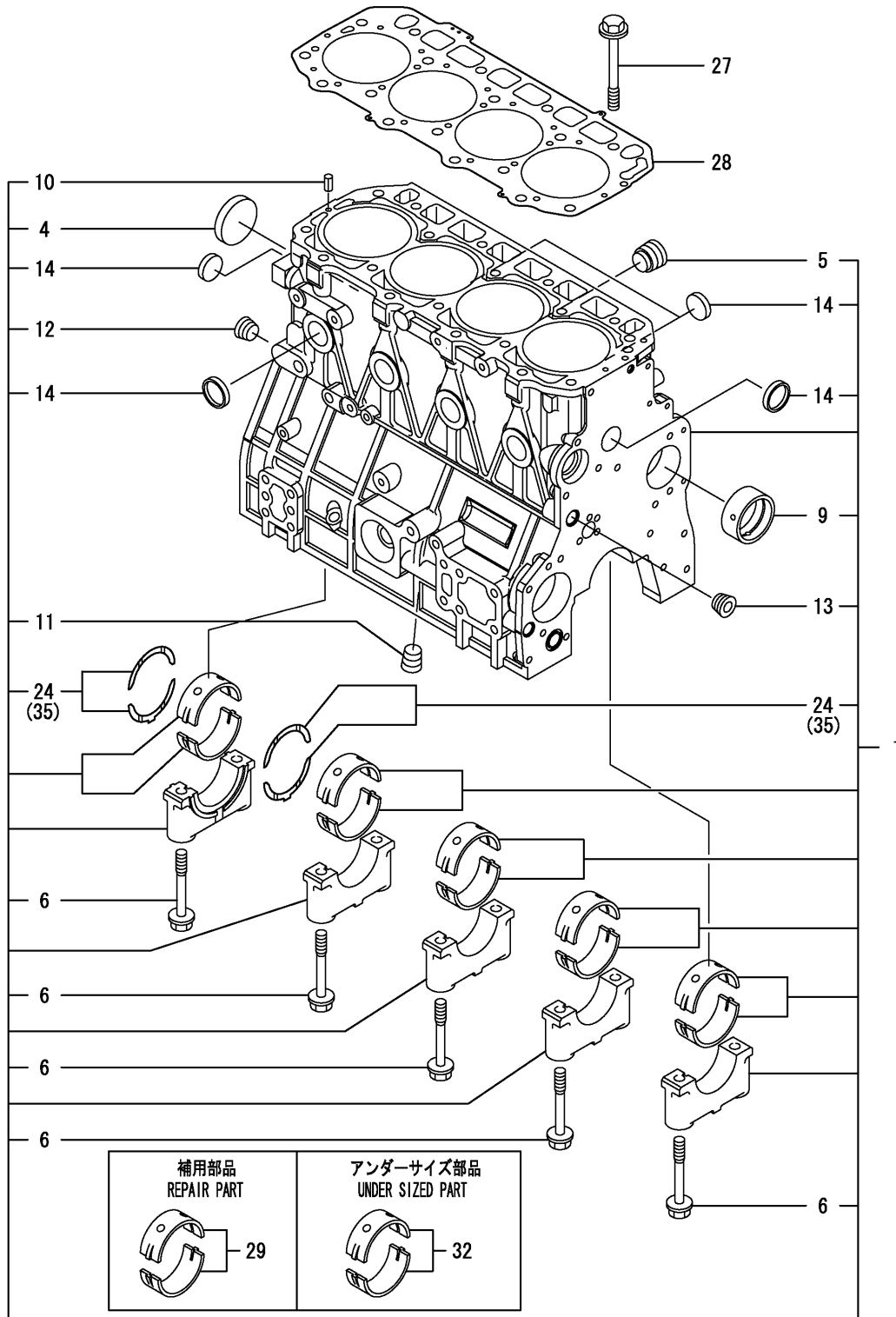
GEHL is a registered trademark of the Gehl Company.

MUSTANG is a registered trademark of the Mustang Manufacturing Co., Inc.

TABLE OF CONTENTS

DESCRIPTION	PAGE
<u>ENGINE SERVICE PARTS</u>	
Cylinder Block	1
Gear Housing	3
Flywheel Housing and Oil Sump	5
Cylinder Head and Bonnet	7
Suction Manifold	13
Exhaust Manifold and Silencer	17
Camshaft and Driving Gear	21
Crankshaft and Piston	23
Lubrication Oil System	25
Cooling Water System	31
Fuel Injection Pump	35
Governor	37
Fuel Injection Valve	39
Fuel Line	41
Starting Motor	43
Electric Parts	45
Tool and Gasket Set	47
Turbine (Turbocharged)	51
Lubrication Oil Line (Turbocharged)	53
Generator (-ZNTBL engine, plus ZNMS, T-ZNMS part numbers)	55
Numerical Index	58

CYLINDER BLOCK

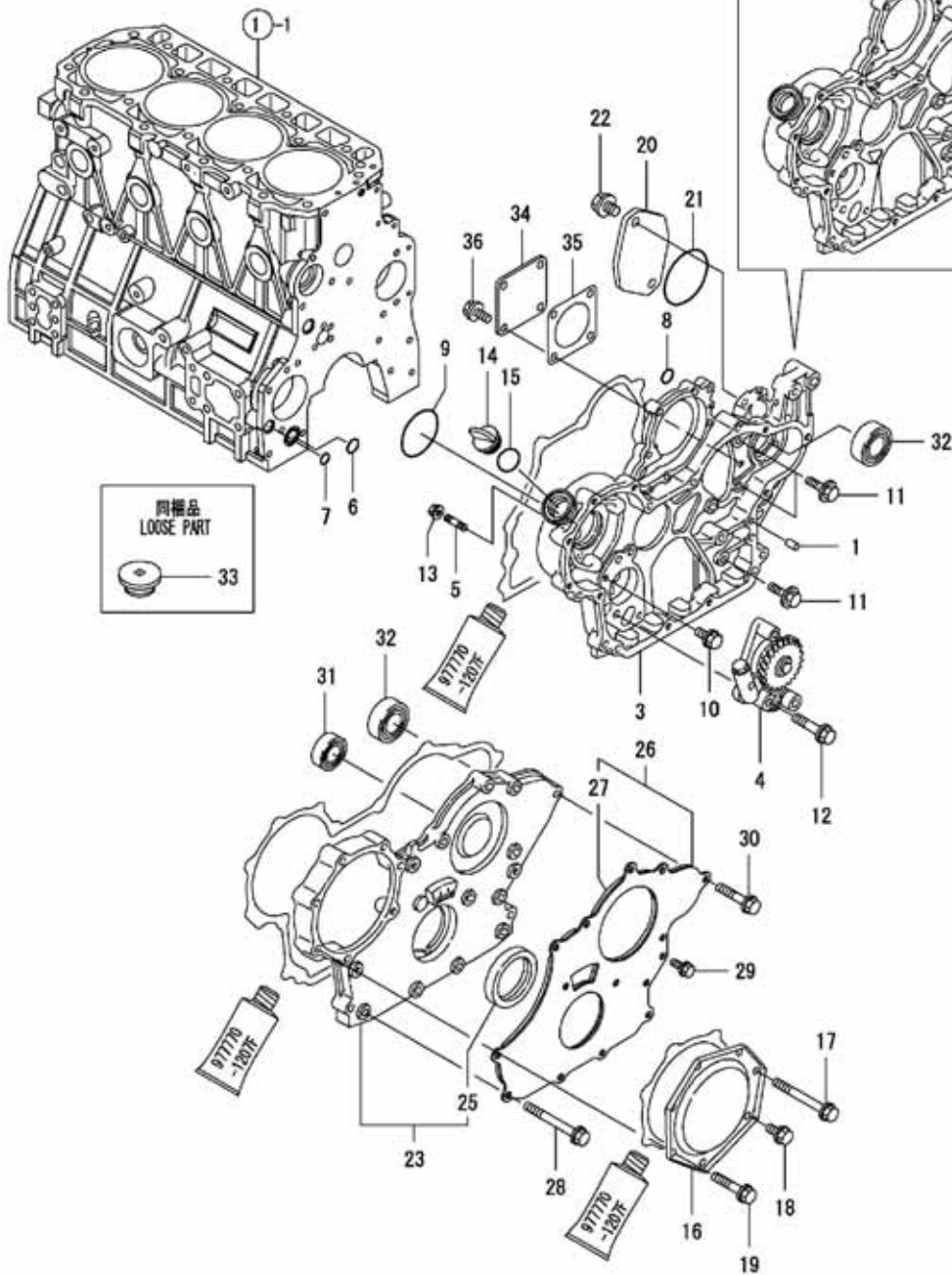
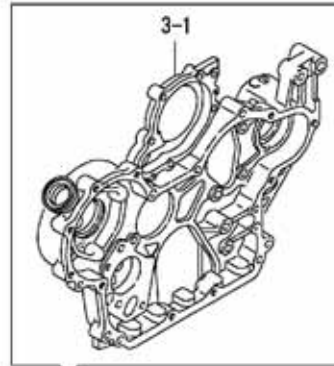
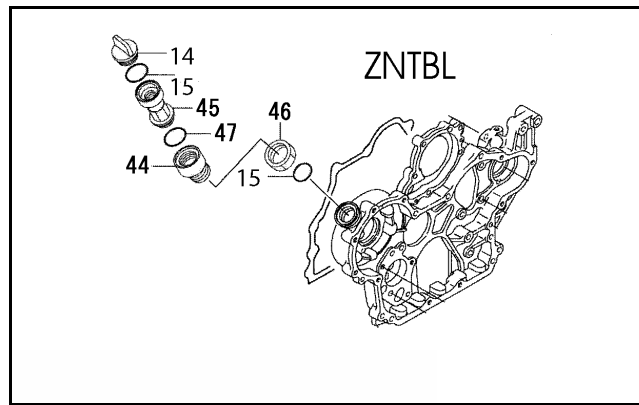


Y00W2680	1, CYLINDER BLOCK			
4TNV98-ZNMS	1, 07/12	2	3	PLUS

CYLINDER BLOCK

Ref. No.	Part No.	Description	Quantity 4TNV98
1	197827	BLOCK ASSY, CYLINDER (ZNMS AND ZNTBL)	1
	197831	BLOCK ASSY, CYLINDER (T-ZNMS AND T-ZNTBL)	1
4	186486	PLUG 55	1
5	425-34722	PLUG	1
6	186491	BOLT, METAL CAP	10
9	186493	BUSH, CAMSHAFT	1
10	425-34783	SPRING PIN 6X12	2
11	425-36260	PLUG PT3/8,SCREW	1
12	425-36260	PLUG PT3/8,SCREW	1
13	425-36260	PLUG PT3/8,SCREW	1
14	188757	PLUG 30	8
24	186494	BEARING ASSY, THRUST	2
27	186485	BOLT, HEAD	18
28	186513	GASKET,CYLINDER HEAD	1
29	186635	MAIN BEARING SET	5
32	197591	MAIN BEARING US=0.25	5
35	197592	BEARING,THRUST .25OS	2

GEAR HOUSING



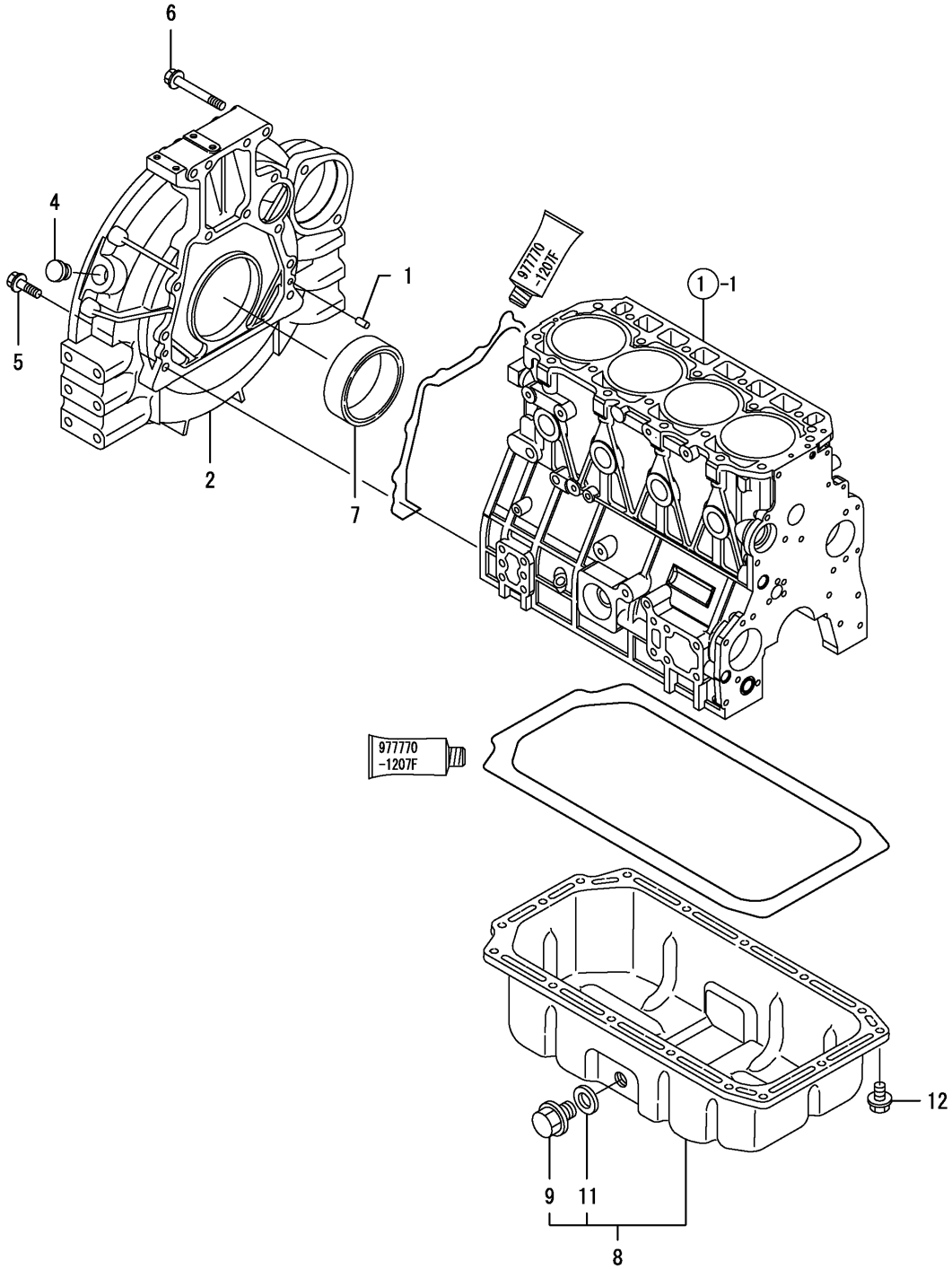
GEAR HOUSING

Ref. No.	Part No.	Description	Quantity 4TNV98
1	188573	PARALLEL PIN 8X16	4
3	186586	CASE, GEAR (ZNMS AND ZNTBL)	1
	197697	CASE, GEAR (T-ZNMS AND T-ZNTBL)	1
3-1	186680	HOUSING,GEARS (ZNMS)	1
	186681	HOUSING,GEARS (T-ZNMS)	1
4	186543	PUMP ASSY, LUB.OIL (ZNMS AND ZNTBL)	1
	197614	PUMP ASSY, LUB.OIL (T-ZNMS AND T-ZNTBL)	1
5	138139	STUD BOLT	4
6	138100	O-RING P20	1
7	138101	O-RING P14	1
8	186607	O-RING 1A P-7.0	1
9	186612	PACKING, 3075	1
10	425-34733	BOLT M 8X 16 PLATED	1
11	425-34746	BOLT M 8X 20 PLATED	3
12	425-34747	BOLT M 8X 45 PLATED	3
13	138141	NUT	4
14	425-34740	COVER,FILLER	1
15	425-34745	O-RING 1A P-32.0	1
16	186682b	COVER, F.I. PUMP	1
	186487a	COVER, F.I. PUMP	1
17	186616b	BOLT M8 X 75 PLATED	1
	186466a	BOLT M 8X 70 PLATED	1
18	425-34746b	BOLT M8 X 20 PLATED	1
	425-34733a	BOLT M 8X 16 PLATED	1
19	425-34747b	BOLT M8 X 45 PLATED	5
	188742a	BOLT M 8X 40 PLATED	5
20	137948a	COVER, HO-P	1
21	138127a	O-RING 1A G-85.0	1
22	138133a	BOLT M10X 20 PLATED	2
23	197826	HOUSING ASSY,COVER,G	1
25	186664	SEAL, OIL	1
26	186489	COVER ASSY	1
27	186490	SPONGE	1
28	186466	BOLT M 8X 70 PLATED	6
29	425-34733	BOLT M 8X 16 PLATED	3
30	188742	BOLT M 8X 40 PLATED	5
31	197593a	BEARING #6205	1
32	186507a	BALL BEARING	2
33	137947	CAP, LUB.OIL SUPPLY	1
34	425-34741	COVER, PUMP (T-ZNMS)	1
35	425-34742	GASKET, PUMP (T-ZNMS)	1
36	425-34733	BOLT M8 X 16 PLATED (T-ZNMS)	4
44	185643	ADAPTOR, OIL FILLER (ZNTBL AND T-ZNTBL)	1
45	137949	PIPE (ZNTBL AND T-ZNTBL)	1
46	185644	NUT, OIL FILLER (ZNTBL AND T-ZNTBL)	1
47	185645	O-RING 1A P-30.0 ZNTBL AND T-ZNTBL)	1

a) ZNMS AND T-ZNMS Engines produced on January 20, 2010 and Before

b) ZNMS AND T-ZNMS Engines produced on January 21, 2010 and Up

FLYWHEEL HOUSING AND OIL SUMP



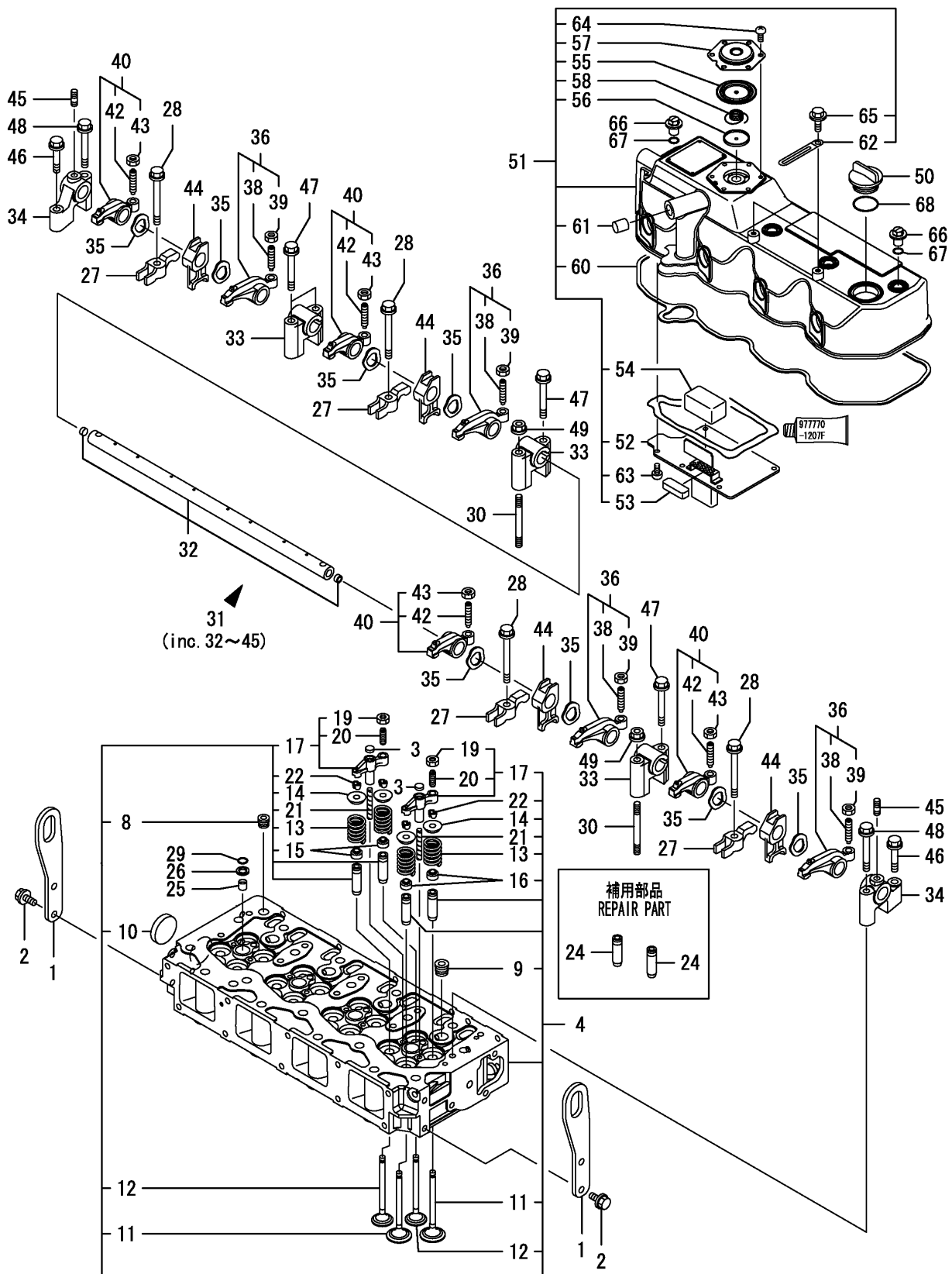
Y00W2680	3, FLYWHEEL HOUSING & OIL SUMP			
4TNV98-ZNMS	1, 07/12	2	3	PLUS

FLYWHEEL HOUSING AND OIL SUMP

Ref. No.	Part No.	Description	Quantity 4TNV98
1	188573	PARALLEL PIN 8X16	2
2	197590	COVER ASSY,FLYWHEEL (ZNMS AND T-ZNMS)	1
	186576	HOUSING, FLYWHEEL (ZNTBL AND T-ZNTBL)	1
4	425-34756	CAP, FLYWHEEL COVER	1
5	186622	BOLT M10X 35 PLATED	9
6	186623	BOLT M10X 70 PLATED	4
7	197620	SEAL, OIL	1
8	197753	PAN ASSY, LUB. OIL (ZNMS)	1
	197470	SUMP ASSY, LUB.OIL (T-ZNMS)	1
	425-36120	SUMP ASSY, OIL (ZNTBL)	1
	197664	SUMP ASSY, OIL (T-ZNTBL)	1
9	425-36121	DRAIN PLUG M22	1
11	138113	SEAL WASHER 22S	1
12	425-34729	BOLT M 8X 12 PLATED	16

CYLINDER HEAD AND BONNET

ZNMS AND ZNTBL Engines



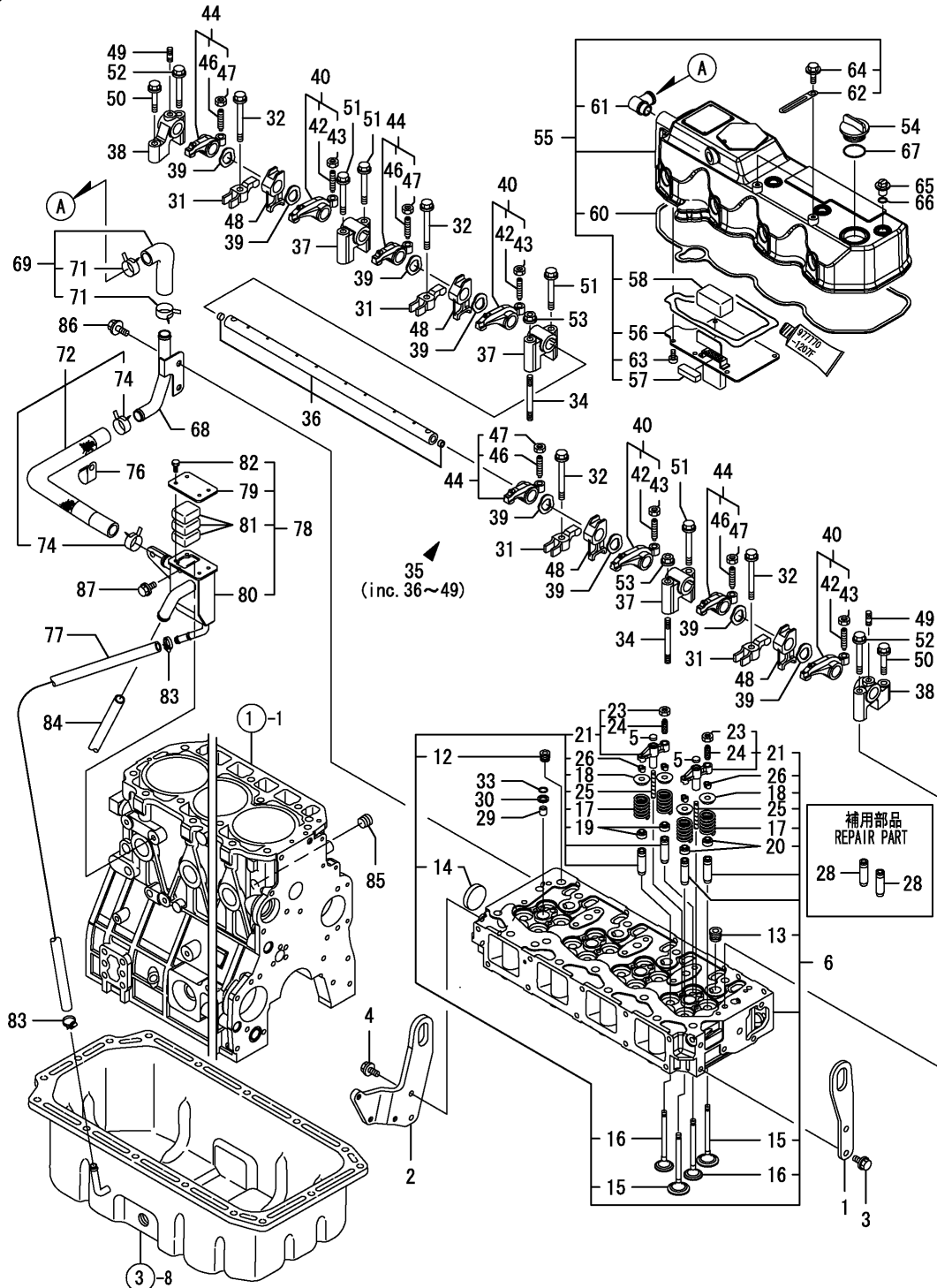
Y00W2680	4, CYLINDER HEAD & BONNET		
4TNV98-ZNMS	1, 07/12	2	3 PLUS

CYLINDER HEAD AND BONNET

Ref. No.	Part No.	Description	Quantity ZNMS/ZNTBL
1	186519	LIFTER, ENGINE (ZNMS)	2
	186519	LIFTER, ENGINE (ZNTBL)	1
	197733	LIFTER,ENGINE (ZNTBL)	1
2	425-34733	BOLT M 8X 16 PLATED	4
3	186406	SEAT A,VALVE BRIDGE	8
4	197622	HEAD ASSY, CYLINDER	1
8	186602	PLUG PT1/4,SCREW	1
9	425-36260	PLUG PT3/8,SCREW	4
10	425-34779	PLUG 40	1
11	186520	VALVE(INT)	8
12	186521	VALVE(EXH)	8
13	186522	VALVE SPRING	16
14	425-35188	RETAINER, SPRING	16
15	197472	SEAL, VALVE STEM(EXH)	8
16	425-35191	SEAL, VALVE STEM(INT)	8
17	186529	BRIDGE ASSY,VALVE	8
19	425-34791	NUT M8XP1.0	8
20	186411	SCREW,VALVE BRIDGE	8
21	186410	GUIDE,VALVE BRIDGE	8
22	425-35189	COTTER ASSY	16
24	186533	GUIDE, VALVE	16
25	186337	PROTECTOR, NOZZLE	4
26	425-34796	SEAT, NOZZLE	4
27	186534	RETAINER,F.I.VALVE	4
28	197603	FLANGE BOLT,RETAINER	4
29	425-34776	O-RING 1A P 12.0	4
30	186314	BOLT 8X80	2
31	186528	SUPPORT CMP	1
32	186523	SHAFT,ROCKER ARM	1
33	186524	SUPPORT A	3
34	186525	SUPPORT B	2
35	186401	WAVE WASHER	8
36	186530	ARM ASSY, ROCKER	4
38	188596	SCREW, VALVE	4
39	425-34791	NUT M8XP1.0	4
40	186531	ARM ASSY, ROCKER	4
42	188596	SCREW, VALVE	4
43	425-34791	NUT M8XP1.0	4
44	186535	PEDESTAL,RETAINER	4
45	186624	STUD M 8X 22 PLATED	2
46	188742	BOLT M 8X 40 PLATED	2
47	188746	BOLT M 8X 60 PLATED	4
48	188746	BOLT M 8X 60 PLATED	2
49	138140	NUT	2
50	425-34740	COVER,FILLER	1
51	197621	BONNET ASSY	1
52	197601	BAFFLE PLATE	1
53	197602	BAFFLE	1
54	186518	BAFFLE	1
55	186388	DIAPHRAGM,BREATHER	1
56	186389	CENTER PLATE	1
57	186390	PLATE,BREATHER	1
58	186391	SPRING, DIAPHRAGM	1
60	197698	GASKET, BONNET	1
61	186335	PLUG	1
62	197779	CLIP	2
63	186598	SCREW 5X10,TAPPING	6
64	186598	SCREW 5X10,TAPPING	6
65	186615	BOLT M 6X 12 PLATED	2
66	425-34775	KNOB	4
67	425-34776	O-RING 1A P 12.0	4
68	425-34745	O-RING 1A P-32.0	1

CYLINDER HEAD AND BONNET

T-ZNMS and T-ZNTBL



Y00W2670	4, CYLINDER HEAD & BONNET			
4TNV98T-ZNMS	1, 07/12	2	3	PLUS

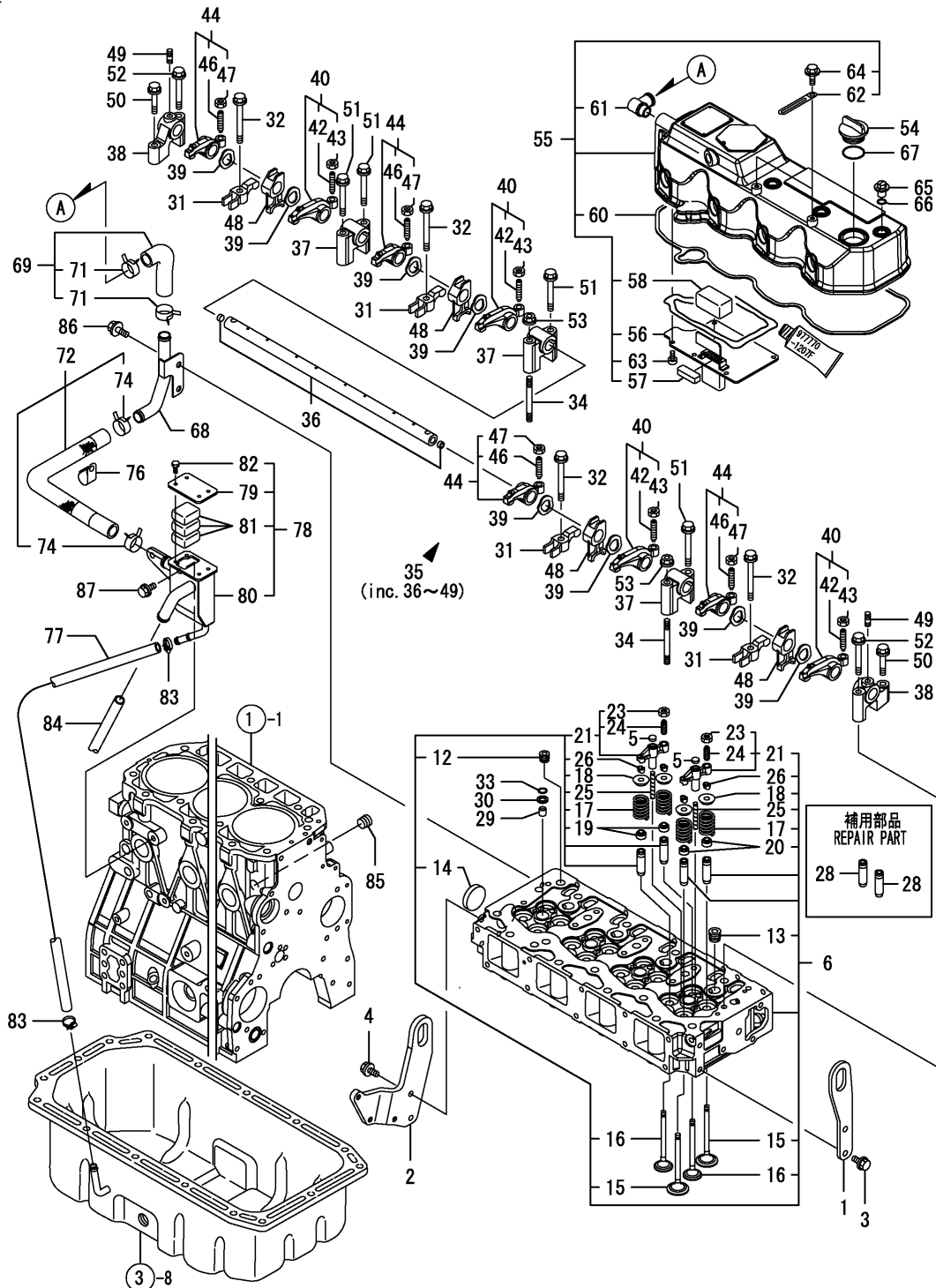
CYLINDER HEAD AND BONNET

Ref. No.	Part No.	Description	Quantity T-ZNMS/T-ZNTBL
1	186519	LIFTER, ENGINE	1
2	197668	LIFTER, ENGINE	1
3	425-34733	BOLT M 8X 16 PLATED	2
4	425-34746	BOLT M 8X 20 PLATED	2
5	186406	SEAT A, VALVE BRIDGE	8
6	197670	HEAD ASSY, CYLINDER	1
12	186602	PLUG PT1/4,SCREW	1
13	425-36260	PLUG PT3/8,SCREW	4
14	425-34779	PLUG 40	1
15	186520	VALVE(INT)	8
16	186521	VALVE(EXH)	8
17	186522	VALVE SPRING	16
18	425-35188	RETAINER, SPRING	16
19	197472	SEAL, VALVE STEM(EXH)	8
20	425-35191	SEAL, VALVE STEM(INT)	8
21	186529	BRIDGE ASSY,VALVE	8
23	425-34791	NUT M8XP1.0	8
24	186411	SCRWE,VALVE BRIDGE	8
25	186410	GUIDE,VALVE BRIDGE	8
26	425-35189	COTTER ASSY	16
28	186533	GUIDE, VALVE	16
29	186337	PROTECTOR, NOZZLE	4
30	425-34796	SEAT, NOZZLE	4
31	186534	RETAINER,F.I.VALVE	4
32	197603	FLANGE BOLT,RETAINER	4
33	425-34776	O-RING 1A P 12.0	4
34	186314	BOLT 8X80	2
35	186528	SUPPORT CMP	1
36	186523	SHAFT,ROCKER ARM	1
37	186524	SUPPORT A	3
38	186525	SUPPORT B	2
39	186401	WAVE WASHER	8
40	186530	ARM ASSY, ROCKER	4
42	188596	SCREW, VALVE	4
43	425-34791	NUT M8XP1.0	4
44	186531	ARM ASSY, ROCKER	4
46	188596	SCREW, VALVE	4

Parts Listing Continued On Next Page

CYLINDER HEAD AND BONNET

T-ZNMS and T-ZNTBL



Y00W2670	4, CYLINDER HEAD & BONNET			
4TNV98T-ZNMS	1, 07/12	2	3	PLUS

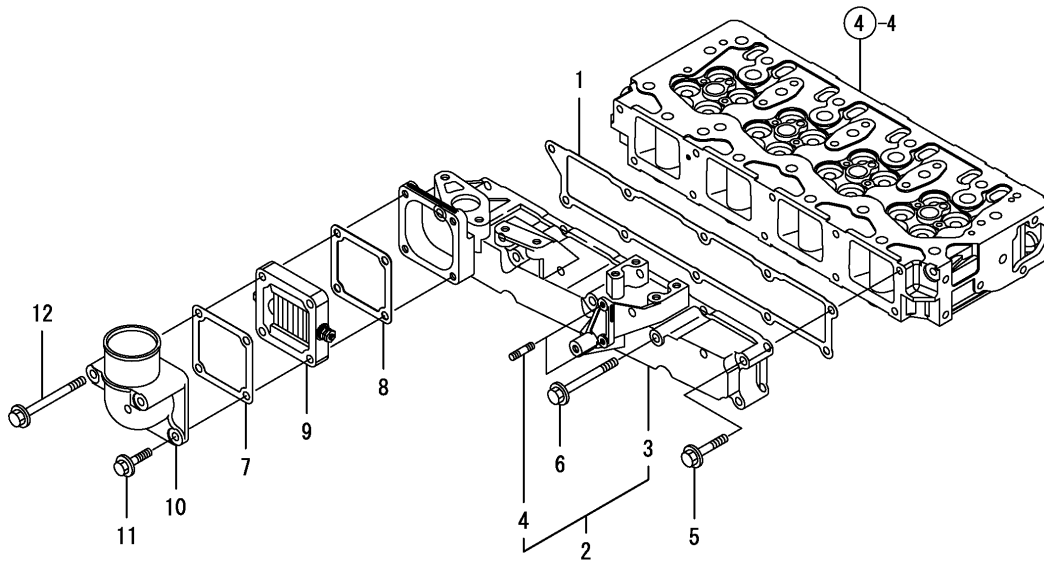
CYLINDER HEAD AND BONNET

continued from previous page

Ref. No.	Part No.	Description	Quantity T-ZNMS/T-ZNTBL
47	425-34791	NUT M8XP1.0	4
48	186535	PEDESTAL,RETAINER	4
49	186624	STUD M 8X 22 PLATED	2
50	188742	BOLT M 8X 40 PLATED	2
51	188746	BOLT M 8X 60 PLATED	4
52	188746	BOLT M 8X 60 PLATED	2
53	138140	NUT	2
54	425-34740	COVER,FILLER	1
55	197669	BONNET ASSY	1
56	197601	BAFFLE PLATE	1
57	197602	BAFFLE	1
58	186518	BAFFLE	1
60	197698	GASKET, BONNET	1
61	197449	JOINT, BREATHER	1
62	197572	CLIP	2
63	186598	SCREW 5X10,TAPPING	6
64	186615	BOLT M 6X 12 PLATED	2
65	425-34775	KNOB	4
66	425-34776	O-RING 1A P 12.0	4
67	425-34745	O-RING 1A P-32.0	1
68	197665	PIPE, BREATHER	1
69	197666	HOSE CMP, BREATHER	1
71	188632	CLAMP 22	2
72	197666	HOSE CMP, BREATHER	1
74	188632	CLAMP 22	2
76	425-34772	RETAINER	1
77	197475	HOSE, RETURN (T-ZNMS)	1
	197667	HOSE ASSY,BREAZER (T-ZNTBL, INCLUDES PIPE PROTECTOR)	1
	197692	PROTECTOR, PIPE 19	1
78	197749	MISTSEPARATOR ASSY	1
79	197747	COVER,SEPARATOR	1
80	197748	MISTSEPARATOR	1
81	138479	WOOL, STEEL	3
82	197810	BOLT M 5X 10 PLATED	4
83	197789	CLAMP 22	2
84	197792	HOSE, 16 X 250	1
85	425-36260	PLUG PT3/8,SCREW	1
86	425-34729	BOLT M 8X 12 PLATED	2
87	188736	BOLT 8X 14 PLATED	2

SUCTION MANIFOLD

ZNMS AND ZNTBL Engines



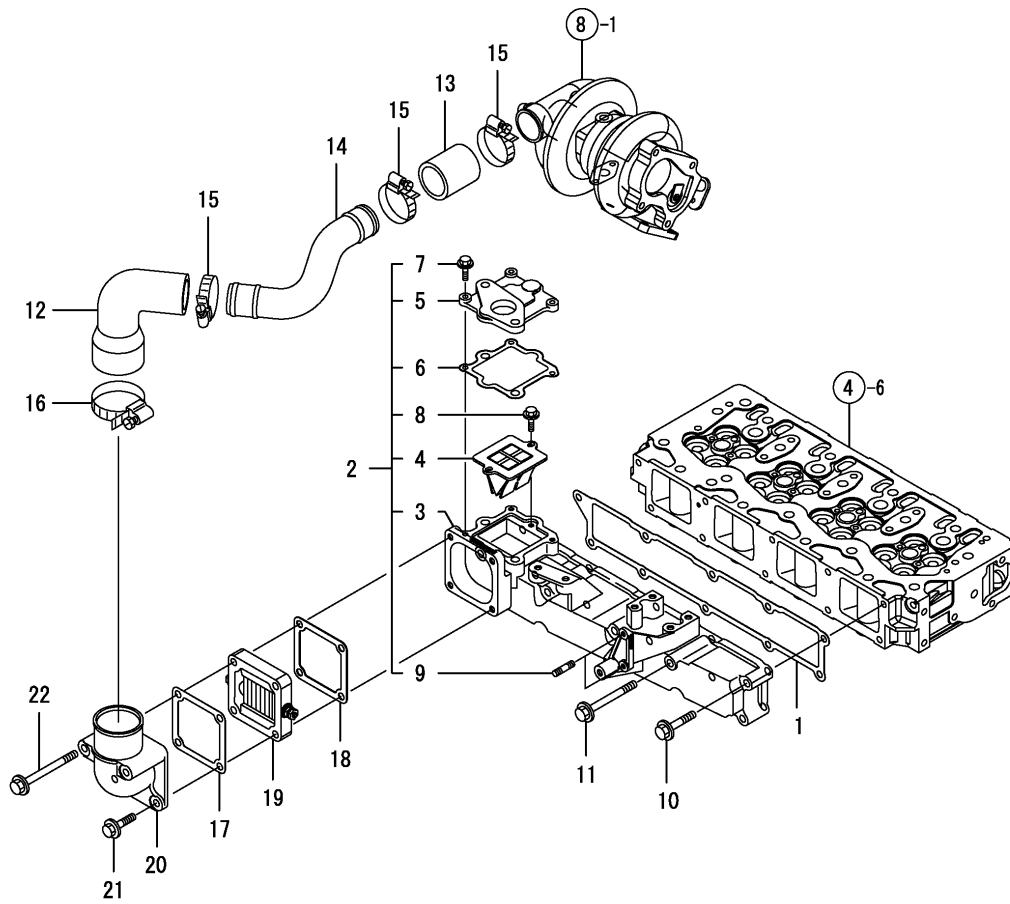
Y00W2680	5	SUCTION MANIFOLD			
4TNV98-ZNMS	1.07/12	2	3	PLUS	

SUCTION MANIFOLD

Ref. No.	Part No.	Description	Quantity ZNMS/ZNTBL
1	186538	PACKING(INT.MANIFOLD	1
2	197624	MANIFOLD CMP,INTAKE	1
3		MANIFOLD,INTAKE	1
4	425-34780	STUD M 6X 20 PLATED	2
5	425-34747	BOLT M 8X 45 PLATED	6
6	425-34800	BOLT M 8X 80 PLATED	4
7	197450	GASKET	1
8	425-36318	GASKET, (NON-ASB.)	1
9	197705	HEATER, AIR	1
10	197451	BEND	1
11	188742	BOLT M 8X 40 PLATED	2
12	186618	BOLT M 8X 90 PLATED	2

SUCTION MANIFOLD

T-ZNMS and T-ZNTBL Engines



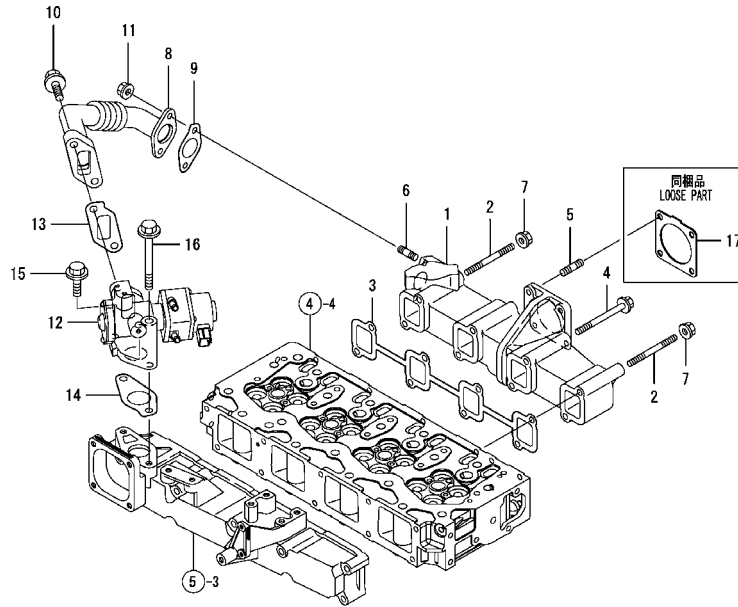
Y00W2670	5. SUCTION MANIFOLD			
4TNV98T-ZNMS	1. 07/12	2	3	PLUS

SUCTION MANIFOLD

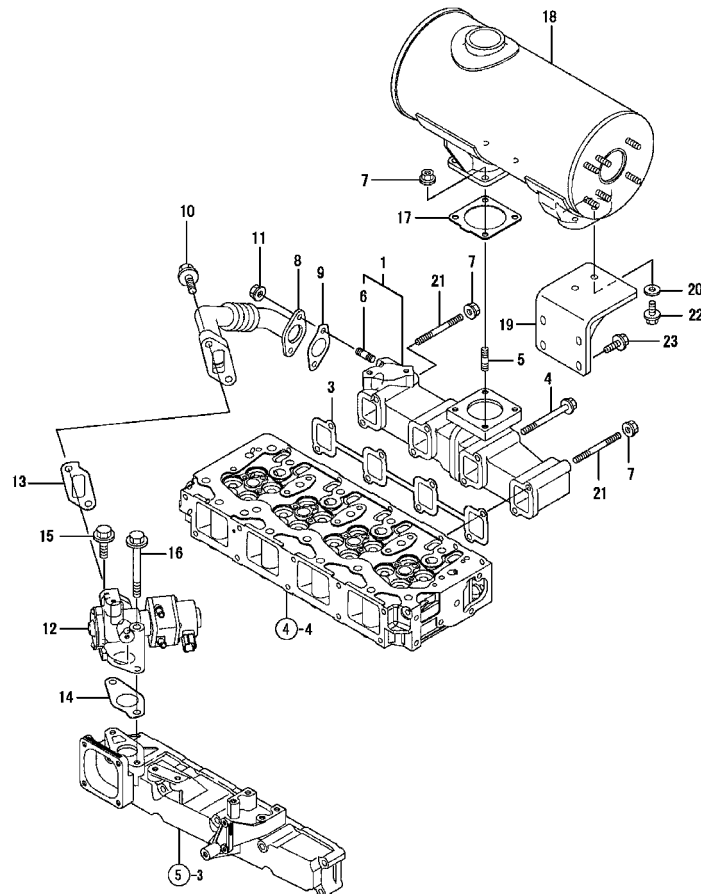
Ref. No.	Part No.	Description	Quantity T-ZNMS/T-ZNTBL
1	186538	PACKING(INT.MANIFOLD	1
2	197672	MANIFOLD CMP,INTAKE	1
3	197671	MANIFOLD,INTAKE	1
4	197677	REEDVALVE	1
5	197678	SPACER(EGR VALVE	1
6	197679	GASKET(EGR-V SPACER	1
7	188732	BOLT M 6X 20 PLATED	3
8	188732	BOLT M 6X 20 PLATED	2
9	425-34780	STUD M 6X 20 PLATED	2
10	425-34747	BOLT M 8X 45 PLATED	6
11	425-34800	BOLT M 8X 80 PLATED	4
12	197750	RUBBER HOSE	1
13	197483	JOINT B	1
14	197476	DUCT,SUCTION	1
15	425-36131	CLAMP 54	3
16	425-36133	CLAMP 70	1
17	197450	GASKET	1
18	425-36318	GASKET, (NON-ASB.)	1
19	197705	HEATER, AIR	1
20	197451	BEND	1
21	188742	BOLT M 8X 40 PLATED	2
22	186618	BOLT M 8X 90 PLATED	2

EXHAUST MANIFOLD AND SILENCER

ZNMS Engine



ZNTBL Engine

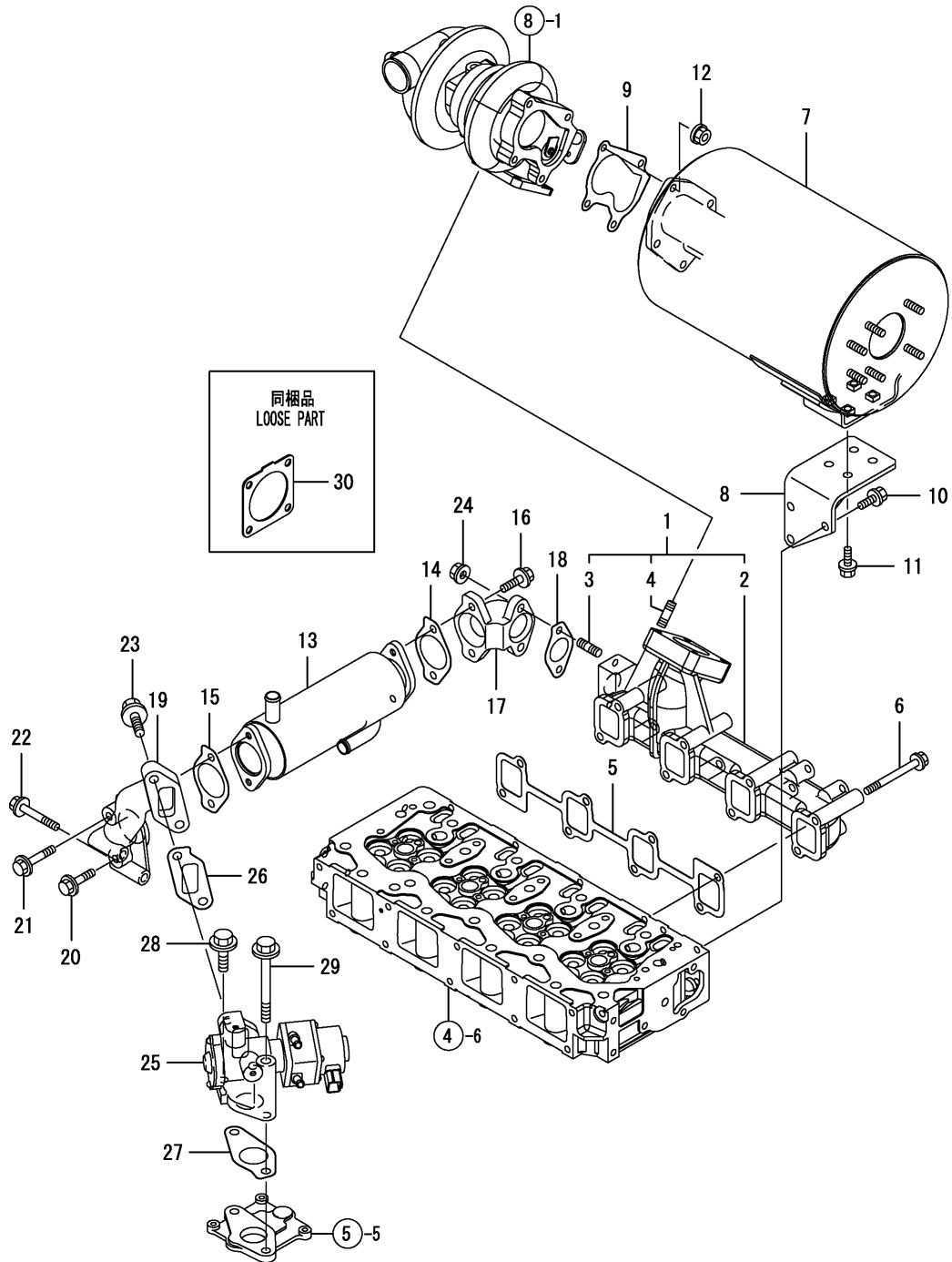


EXHAUST MANIFOLD AND SILENCER

Ref. No.	Part No.	Description	Quantity ZNMS/ZNTBL
1	197469	MANIFOLD,EXHAUST (ZNMS)	1
	197625	MANIFOLD,EXHAUST (ZNTBL)	1
2	197507	STUD	2
3	425-36128	GASKET	1
4	197462	BOLT, M8X90	6
5	425-36249	BOLT M 8X 22	4
6	138512	STUD BOLT M8X20	2
7	138140	NUT	2
8	197626	PIPE(EGR CMP	1
9	197627	GASKET, EGR PIPE	1
10	197807	BOLT M10X 30 PLATED	2
11	138140	NUT (ZNMS)	2
	138140	NUT (ZNTBL)	4
12	197628	EGR VALVE	1
13	197629	GASKET(EGR-V IN	1
14	197630	GASKET(EGR-V OUT	1
15	197807	BOLT M10X 30 PLATED	1
16	138522	BOLT M10X 95 PLATED	1
17	138104	GASKET, SILENCER	1
18	186567	SILENCER	1
19	186568	STAY, SILENCER	1
20	186593	WASHER 8	2
21	197507	BOLT, M8X100	2
22	425-34733	BOLT, M8X16 PLATED	2
23	425-34746	BOLT, M8X20 PLATED	4

EXHAUST MANIFOLD AND SILENCER

T-ZNMS and T-ZNTBL Engine

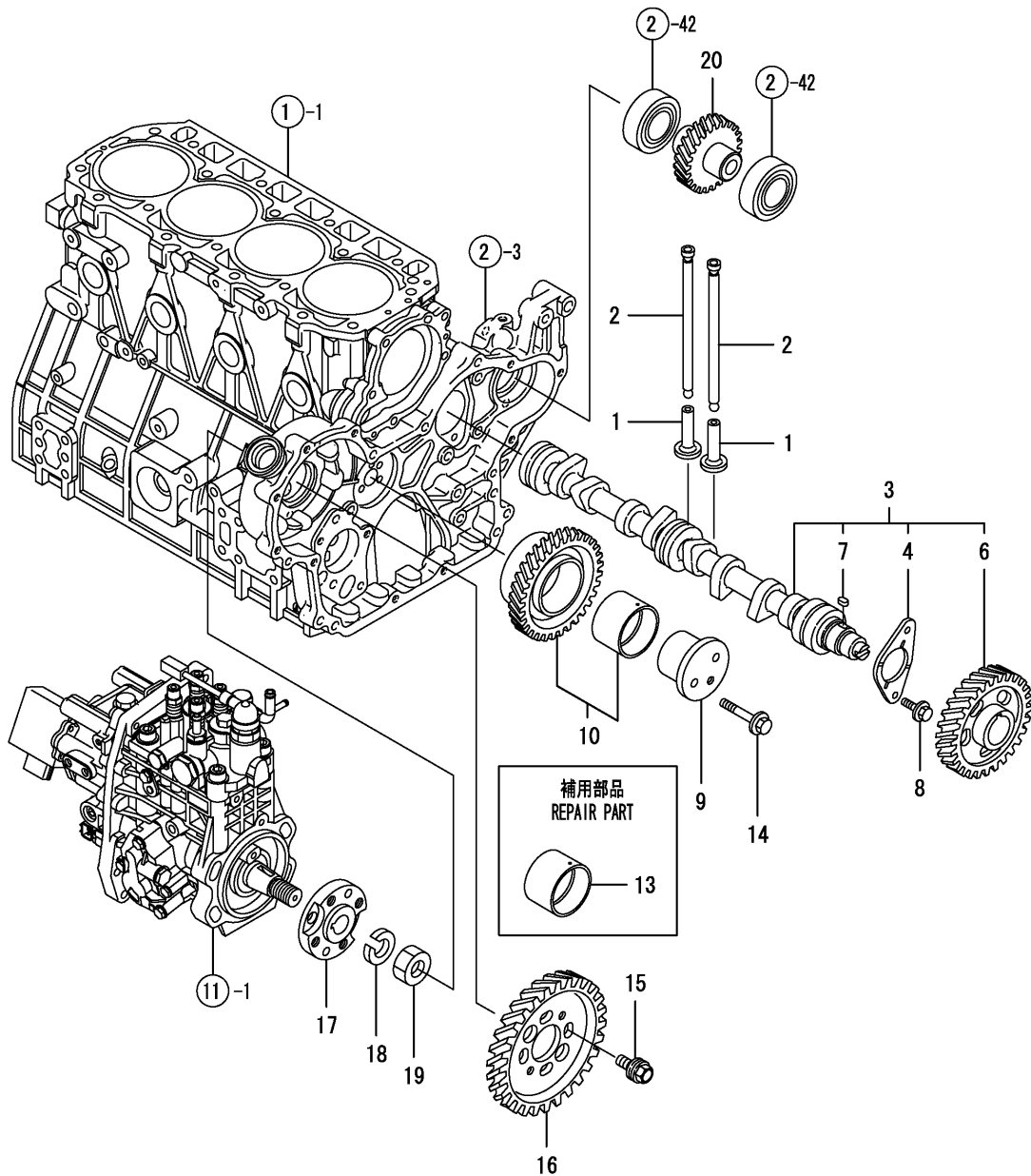


Y00D9990	6. ハイキマニホールド & サイレンサ			
4TNV98T-ZNTBL	1, 08/01	2	3	PLUS

EXHAUST MANIFOLD AND SILENCER

Ref. No.	Part No.	Description	Quantity T-ZNMS/T-ZNTBL
1	197674	MANIFOLD ASSY,EXH (T-ZNTBL)	1
2	197673	MANIFOLD, EXHAUST (T-ZNTBL)	1
	197737	MANIFOLD, EXHAUST (T-ZNMS)	1
3	138512	STUD BOLT M8X20	2
4	425-36249	BOLT M 8X 22	4
5	425-36128	GASKET	1
6	186375	BOLT 8X80	8
7	197609	SILENCER (T-ZNTBL)	1
8	197699	STAY, SILENCER (T-ZNTBL)	1
9	138488	GASKET, T/C OUT	1
10	425-34733	BOLT M8X16 PLATED (T-ZNTBL)	3
11	425-34746	BOLT M8 X 20 PLATED (T-ZNTBL)	4
12	138140	NUT (T-ZNTBL)	4
13	197675	EGR COOLER	1
14	197676	GASKET, EGR COOLER	1
15	197676	GASKET, EGR COOLER	1
16	197463	BOLT, M8X25	2
17	197680	PIPE(EGR IN	1
18	197627	GASKET, EGR PIPE	1
19	197681	PIPE(EGR OUT	1
20	425-34761	BOLT M 8X 35 PLATED	1
21	425-34747	BOLT M 8X 45 PLATED	1
22	425-34748	BOLT M 8X 55 PLATED	2
23	425-35772	BOLT M10X 25 PLATED	2
24	138140	NUT	2
25	197628	EGR VALVE	1
26	197629	GASKET(EGR-V IN	1
27	197630	GASKET(EGR-V OUT	1
28	197808	BOLT M10X 40 PLATED	1
29	197809	BOLT M10X105 PLATED	1
30	138104	GASKET, SILENCER (T-ZNTBL)	1

CAMSHAFT AND DRIVING GEAR



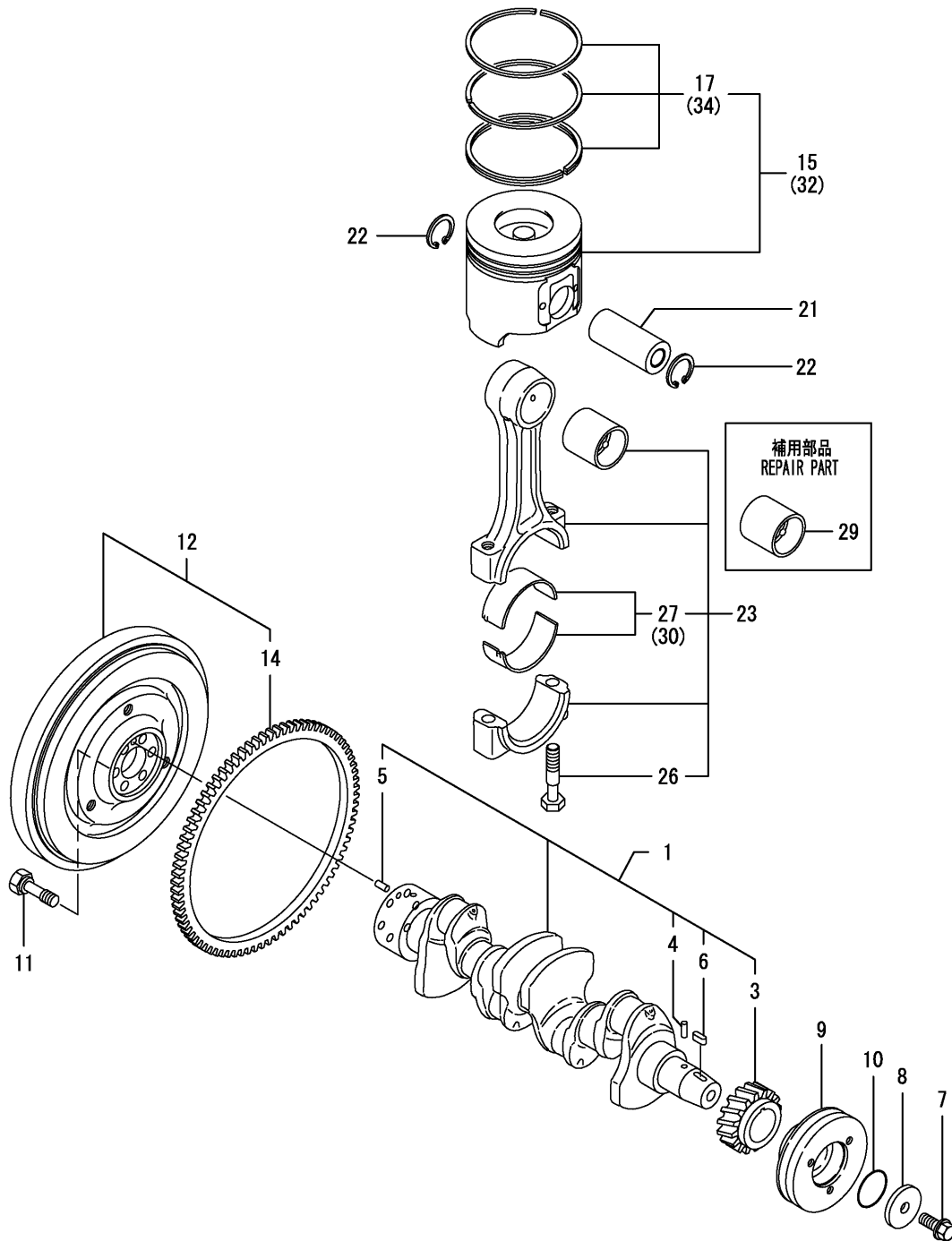
Y00W2680	7. CAMSHAFT & DRIVING GEAR		
4TNV98-ZNMS	1. 07/12	2	3 PLUS

CAMSHAFT AND DRIVING GEAR

Ref. No.	Part No.	Description	Quantity 4TNV98
1	186471	TAPPET	8
2	186539	PUSH ROD	8
3	197610	CAMSHFT ASSY (ZNMS AND T-ZNMS)	1
	197611	CAMSHFT ASSY (ZNTBL AND T-ZNTBL)	1
4	425-34656	METAL,THRUST(CAM	1
6	138097	GEAR, CAMSHAFT	1
7	425-34810	KEY 7X 14	1
8	425-34733	BOLT M 8X 16 PLATED	2
9	138020	SHAFT(GEAR,IDLE	1
10	197597	GEAR ASSY, IDLE (ZNMS AND T-ZNMS)	1
	186505	GEAR ASSY, IDLE (ZNTBL AND T-ZNTBL)	1
13	425-34813	BUSH, IDLE GEAR	1
14	425-34748	BOLT M 8X 55 PLATED	3
15	186579	BOLT	4
16	197605	GEAR,F.I.PUMP	1
17	186590	FLANGE	1
18	186596	SPRING WASHER 18	1
19	186626	NUT M18,LOCK	1
20	197752a	GEAR, H.O. PUMP (ZNMS AND T-ZNMS)	1
	186506	GEAR, H.O. PUMP (ZNTBL AND T-ZNTBL)	1

a) 192809 and 192808 engines

CRANKSHAFT AND PISTON



Y00W2680	8. CRANKSHAFT & PISTON		
4TNV98-ZNMS	1. 07/12	2	3 PLUS

CRANKSHAFT AND PISTON

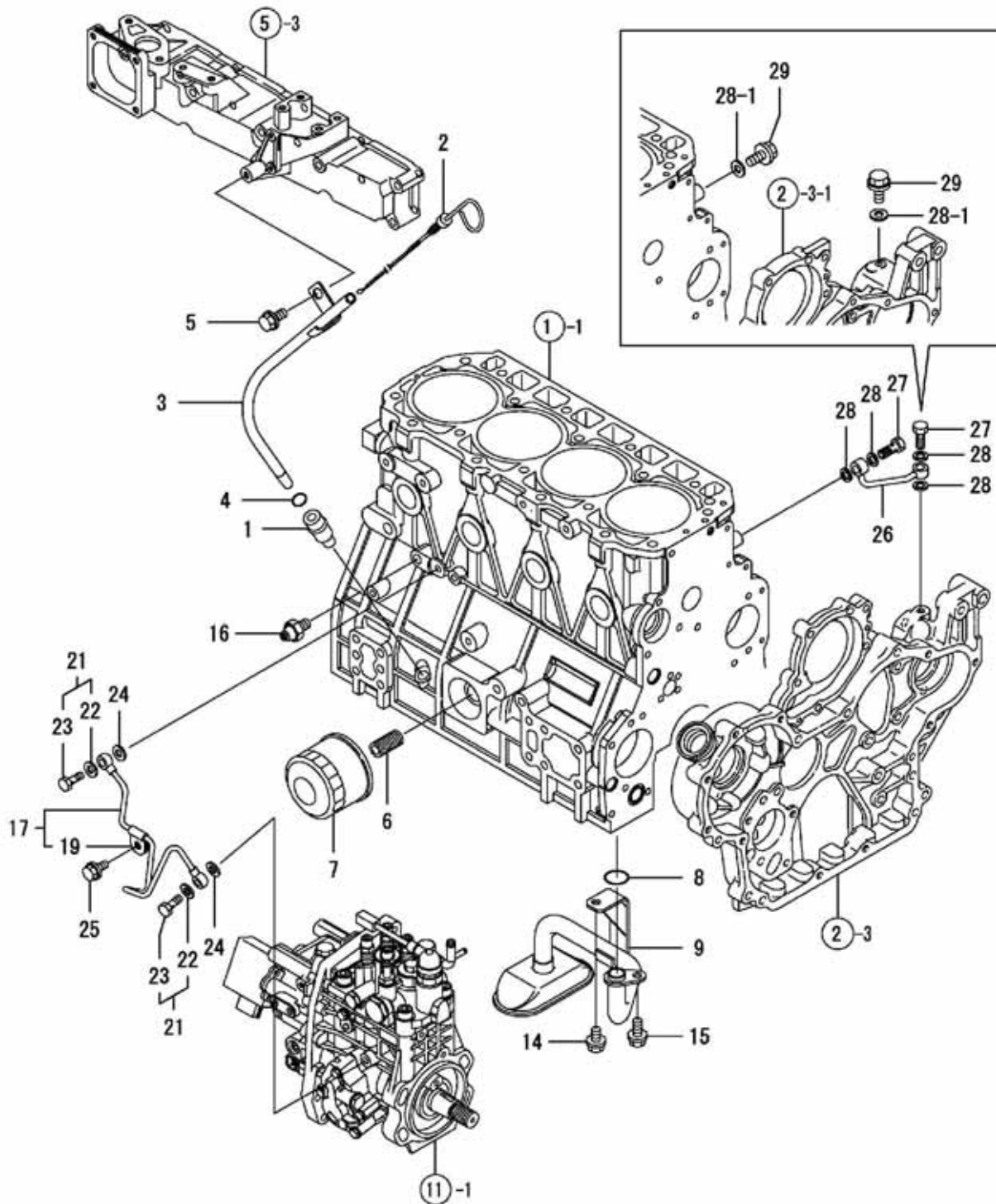
Ref. No.	Part No.	Description	Quantity 4TNV98
1	197598	CRANKSHAFT COMP (ZNMS)	1
	197612	CRANKSHAFT COMP (T-ZNMS)	1
	186510	CRANKSHAFT COMP (ZNTBL)	1
	197613	CRANKSHAFT ASSY (T-ZNTBL)	1
3	138098	GEAR, CRANKSHAFT	1
	186498	GEAR, CRANKSHAFT (T-ZNTBL)	1
4	137957	PARALLEL PIN	1
5	137958	PARALLEL PIN 10X22	1
6	425-34810	KEY 7X 14	1
7	186663	BOLT, V-PULLEY	1
8	186585	WASHER	1
9	186683b	V-PULLEY,CRANKSHAFT (ZNMS AND T-ZNMS)	1
	197604a	V-PULLEY,CRANKSHAFT (ZNMS AND T-ZNMS)	1
	186662	V-PULLEY,CRANKSHAFT (ZNTBL AND T-ZNTBL)	1
10	186611	O-RING 1A S-53.0	1
11	137956	BOLT, FLYWHEEL	6
12	186578	FLYWHEEL ASSY	1
	197739	FLYWHEEL ASSY (T-ZNTBL)	1
14	186499	GEAR, RING	1
15	197632	PISTON ASSY (ZNMS AND ZNTBL)	4
	197682	PISTON ASSY (T-ZNMS AND T-ZNTBL)	4
17	197631	RING SET, PISTON	4
21	186343	PIN, PISTON	4
22	197783	CIRCLIP 30	8
23	197594	ROD ASSY, CONNECTING	4
26	186501	BOLT, ROD	8
27	186502	METAL ASSY, CRANKPIN	4
29	197596	BUSH, PISTON PIN	4
30	197595	BEARING,PIN U.S=0.25	4
32	197828	PISTON W/RING,0.25OS (ZNMS AND ZNTBL)	4
	197832	PISTON W/RING,0.25OS (T-ZNMS AND T-ZNTBL)	4
34	197829	RING SET, 0.25OS	4

a) 192809 and 192808 engines

b) 241541 and 242474 engines

LUBRICATION OIL SYSTEM

ZNMS Engine



LUBRICATION OIL SYSTEM

Ref. No.	Part No.	Description	Quantity ZNMS
1	425-34825	GUIDE, DIPSTICK	1
2	197607	DIPSTICK	1
3	197683	DIPSTICK	1
4	425-34827	O-RING 1A P-10A	1
5	425-34733	BOLT M 8X 16 PLATED	1
6	186302	STUD, LUB.OIL FILTER	1
7	195568	FILTER 80X80L	1
8	138100	O-RING P20	1
9	197743	PIPE ASY,L.OIL INLET	1
14	425-34729	BOLT M 8X 12 PLATED	1
15	425-34733	BOLT M 8X 16 PLATED	1
16	425-36085	SENDER, OIL PRESSURE	1
17	197633	PIPE ASSY, LUB.OIL	1
19	186421	SUPPORT,PIPE	1
21	186468	BOLT ASSY, JOINT	2
22	425-34750	SEAL WASHER 8S	2
23	186600	JOINT BOLT 3	2
24	425-34750	SEAL WASHER 8S	2
25	425-34729	BOLT M 8X 12 PLATED	1
26	186565a	PIPE	1
27	186300a	BOLT, PIPE JOINT	2
28	425-34750a	SEAL WASHER 8S	4
28-1	425-34750b	SEAL WASHER 8S	2
29	425-34729b	BOLT M8 X 12 PLATED	2

a) 192809 Engine only.

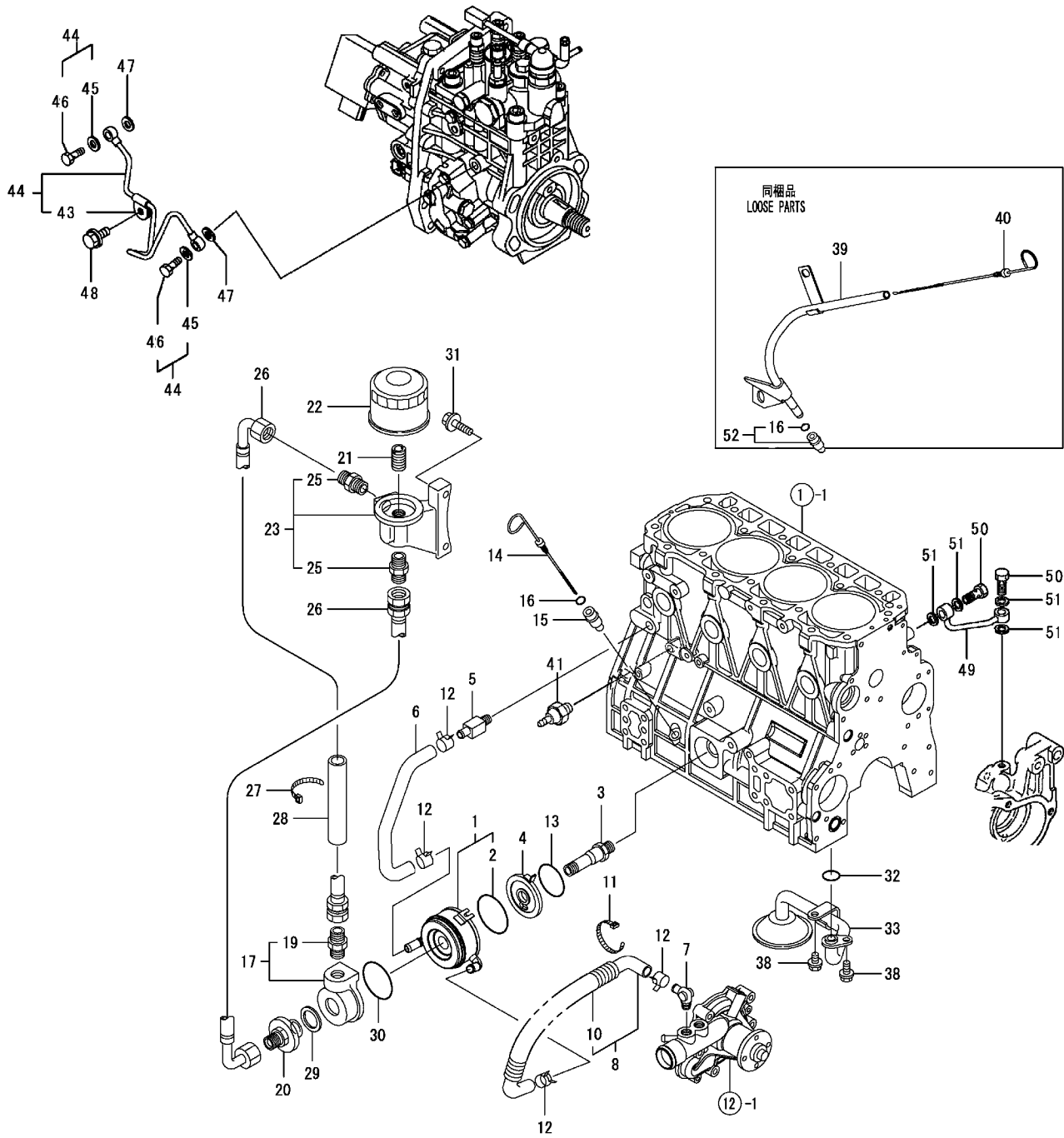
b) 242474 Engine only.

LUBRICATION OIL SYSTEM

Ref. No.	Part No.	Description	Quantity T-ZNMS
1	197615	COOLER ASSY, OIL	1
2	197481	O-RING	1
3	138072	BOLT, L.O.COOLER	1
4	197616	BRACKET,OIL COOLER	1
5	188567	JOINT	1
6	197619	PIPE, COOLING WATER	1
7	138093	ELBOW PT3/8	1
8	186442	PIPE, C.W.	1
10	186443	PROTECTOR,CW-T	1
11	137953	CLAMP 140	1
12	197790	CLAMP 25	4
13	186609	O-RING 1A G-60.0	1
14	425-34825	GUIDE, DIPSTICK	1
15	197607	DIPSTICK	1
16	197683	DIPSTICK	1
17	425-34827	O-RING 1A P-10A	1
18	425-34733	BOLT M 8X 16 PLATED	1
19	195568	FILTER 80X80L	1
20	138100	O-RING P20	1
21	197743	PIPE ASY,L.OIL INLET	1
26	425-34729	BOLT M 8X 12 PLATED	1
27	425-34733	BOLT M 8X 16 PLATED	1
28	270970	PLUG, DRAIN	1

LUBRICATION OIL SYSTEM

ZNTBL and T-ZNTBL Engines



Y00D9990	10, LOSSFM			
4TNV98T-ZNTBL	1, 08/01	2	3	PLUS

LUBRICATION OIL SYSTEM

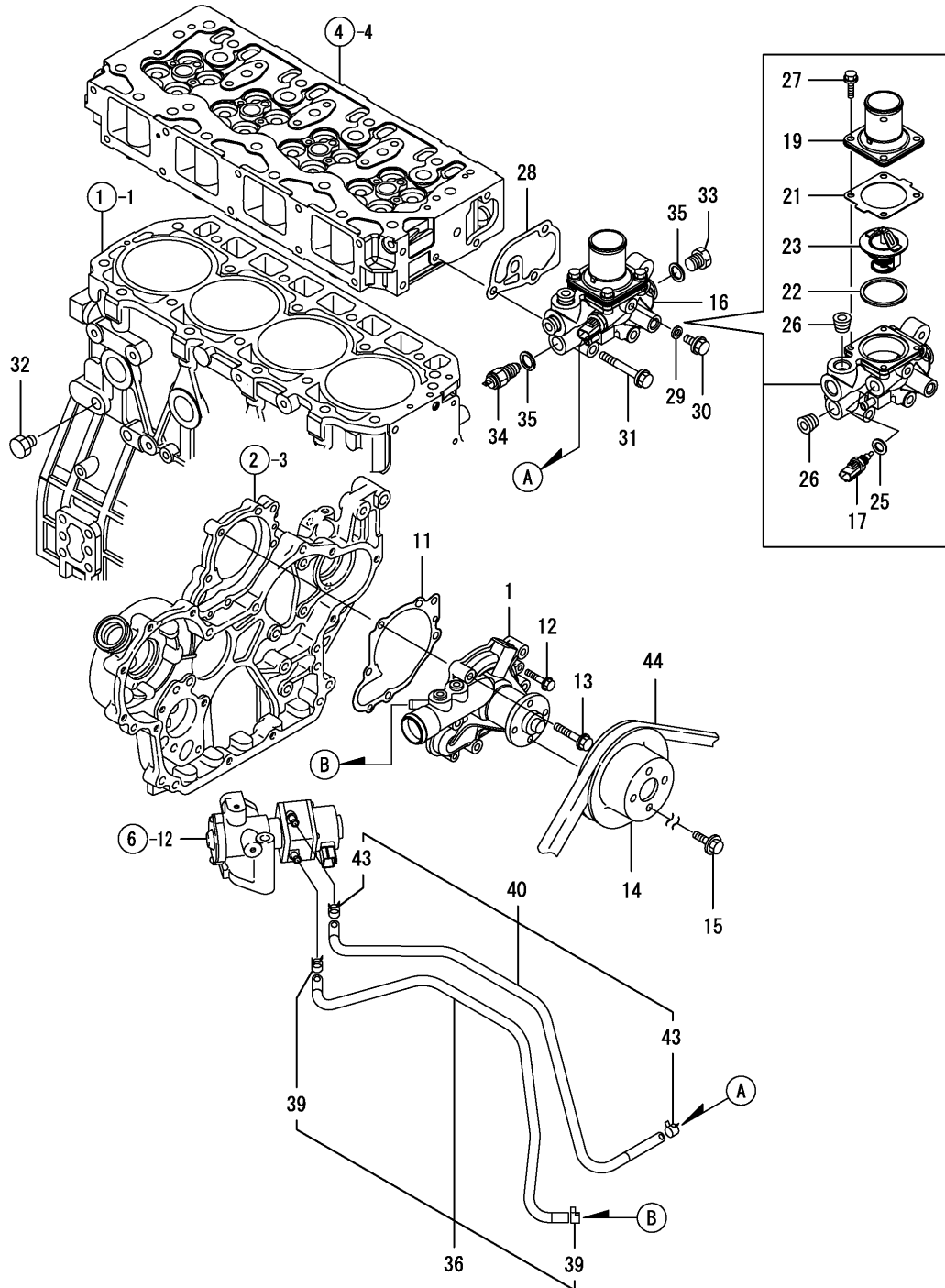
Ref. No.	Part No.	Description	Quantity ZNTBL/T-ZNTBL
1	197615	COOLER ASSY, OIL (T-ZNTBL)	1
2	197481	O-RING (T-ZNTBL)	1
3	186587	STUD, LUB.OIL FILTER (ZNTBL)	1
	138072	BOLT, L.O.COOLER (T-ZNTBL)	1
4	197616	BRACKET,OIL COOLER (T-ZNTBL)	1
5	188567	JOINT (T-ZNTBL)	1
6	197619	PIPE, COOLING WATER (T-ZNTBL)	1
7	138093	ELBOW PT3/8 (T-ZNTBL)	1
8	186442	PIPE, C.W. (T-ZNTBL)	1
10	186443	PROTECTOR,CW-T (T-ZNTBL)	1
11	137953	CLAMP 140 (T-ZNTBL)	1
12	197790	CLAMP 25 (T-ZNTBL)	4
13	186609	O-RING 1A G-60.0	1
14	197606	DIPSTICK (ZNTBL)	1
	197870	DIPSTICK (T-ZNTBL)	1
15	425-34825	GUIDE, DIPSTICK	1
16	425-34827	O-RING 1A P-10A	1
17	186569	CASE ASSY, LUB. OIL (ZNTBL)	1
	186451	CASE ASSY, LUB. OIL (T-ZNTBL)	1
19	186582	ADAPTER	1
20	186580	COVER	1
21	186302	STUD, LUB.OIL FILTER	1
22	195568	FILTER 80X80L	1
23	197734	BRACKET ASSY, LUB.OIL (ZNTBL)	1
	186570	SPACER(LO, FILTER (ZNTBL ONLY - NOT SHOWN)	1
	197740	BRACKET ASSY, LUB.OIL (T-ZNTBL)	1
25	186582	ADAPTER	2
26	197735	PIPE, LUB.OIL (ZNTBL)	1
	197744	PIPE, LUB.OIL (ZNTBL)	1
	197482	LO-T (T-ZNTBL)	2
27	186665	CLAMP 200 (T-ZNTBL)	1
28	186666	PROTECTOR (T-ZNTBL)	1
29	186595	SEAL WASHER 30S	1
30	186610	O-RING 1A G70.0,NBR (T-ZNTBL)	1
31	425-34766	BOLT M8X50 PLATED (ZNTBL)	2
	138136	BOLT M10X45 PLATED (T-ZNTBL AND ZNTBL)	2
32	138100	O-RING P20	1
33	186508	PIPE ASSY, LUB.OIL	1
38	425-34729	BOLT M8X12 PLATED	2
39	197710	GUIDE, DIPSTICK	1
40	186574	DIPSTICK (ZNTBL)	1
	197712	OIL,DIPSTICK (T-ZNTBL)	1

Following Parts Are For ZNTBL Engines

Ref. No.	Part No.	Description	Quantity ZNTBL
41	425-34684	SWITCH, (0.5KG)L.O.	1
42	197633	PIPE ASSY, LUB.OIL	1
43	186421	SUPPORT, PIPE	1
44	186468	BOLT ASSY, JOINT	2
45	425-34750	SEAL WASHER 8S	2
46	186600	JOINT BOLT 3	2
47	425-34750	SEAL WASHER 8S	2
48	425-34729	BOLT M8X12 PLATED	1
49	186565	PIPE	1
50	186300	BOLT, PIPE JOINT	2
51	425-34750	SEAL WASHER 8S	4
52	197711	GUIDE, LO GAUGE, CMP	1

COOLING WATER SYSTEM

ZNMS Engine



Y00W2680	10. COOLING WATER SYSTEM			
4TNV98-ZNMS	1, 07/12	2	3	PLUS

COOLING WATER SYSTEM

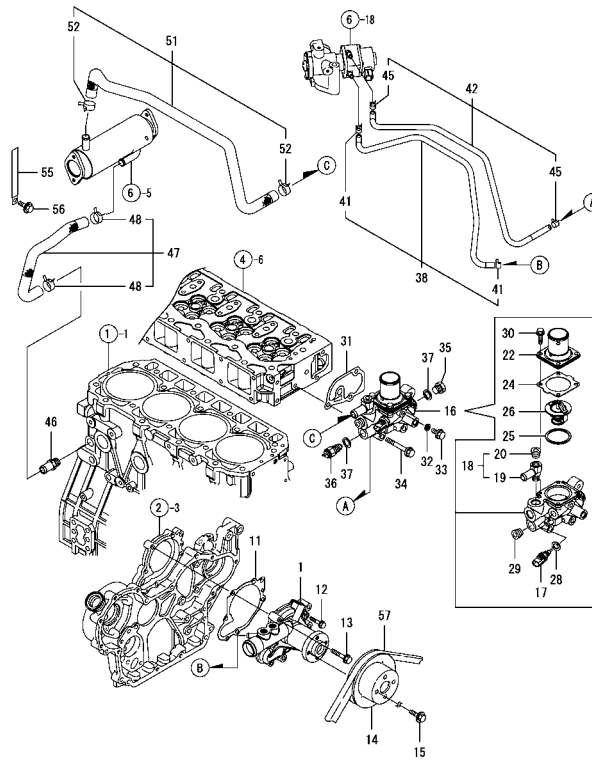
Ref. No.	Part No.	Description	Quantity ZNMS
1	186684b	PUMP ASSY,WATER	1
	197634a	PUMP ASSY,WATER	1
11	425-36113	GASKET, CW-P	1
12	425-35165	BOLT M 6X 30 PLATED	2
13	425-34748	BOLT M 8X 55 PLATED	5
14	186685b	PULLEY	1
	197695a	PULLEY	1
15	138132b	BOLT M10 X 18 PLATED	4
	186615a	BOLT M 6X 12 PLATED	4
16	197638	CASE ASSY,THERMOSTAT	1
17	197635	THERMOMETER	1
19	186564	COVER, THERMOSTAT	1
21	425-36114	GASKET, THERMOSTAT	1
22	186370	GASKET, THERMOSTAT	1
23	186371	THERMOSTAT 180	1
25	425-35959	SEAL WASHER 12	1
26	138123	PLUG PT3/8,STEEL	2
27	188732	BOLT M 6X 20 PLATED	4
28	425-36319	GASKET, CASE	1
29	425-34727	GASKET 8, ROUND	1
30	425-34729	BOLT M 8X 12 PLATED	1
31	188746	BOLT M 8X 60 PLATED	3
32	270970	PLUG, DRAIN	1
33	425-34851	PLUG M16	1
34	197459	SWITCH, THERMO 111	1
35	160427	GASKET 16	2
36	197636	PIPE ASSY, WATER A	1
39	197793	CLAMP 12	2
40	197637	PIPE ASSY, WATER B	1
43	197793	CLAMP 12	2
44	241477b	BELT/ALTERNATOR	1
	197802a	V-BELT A44	1
61	186303	SPACER, FAN (NOT SHOWN - REFERENCE ITEM 61 ON PAGE 33)	1

a) 192809 engine, alternate belt part number 194319 may also be used.

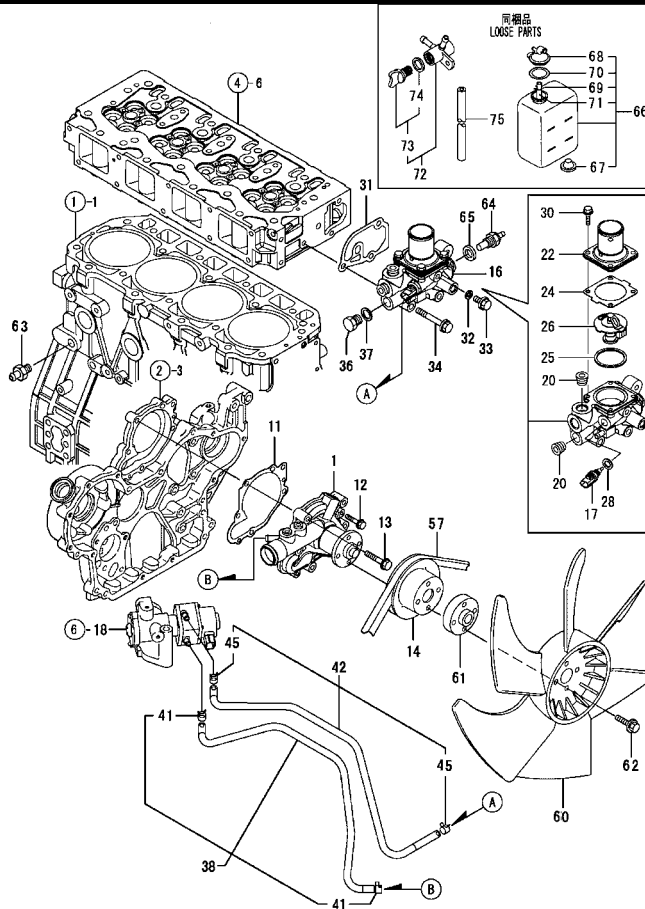
b) 242474 engine

COOLING WATER SYSTEM

T-ZNMS and T-ZNTBL Engines



ZNTBL Engine



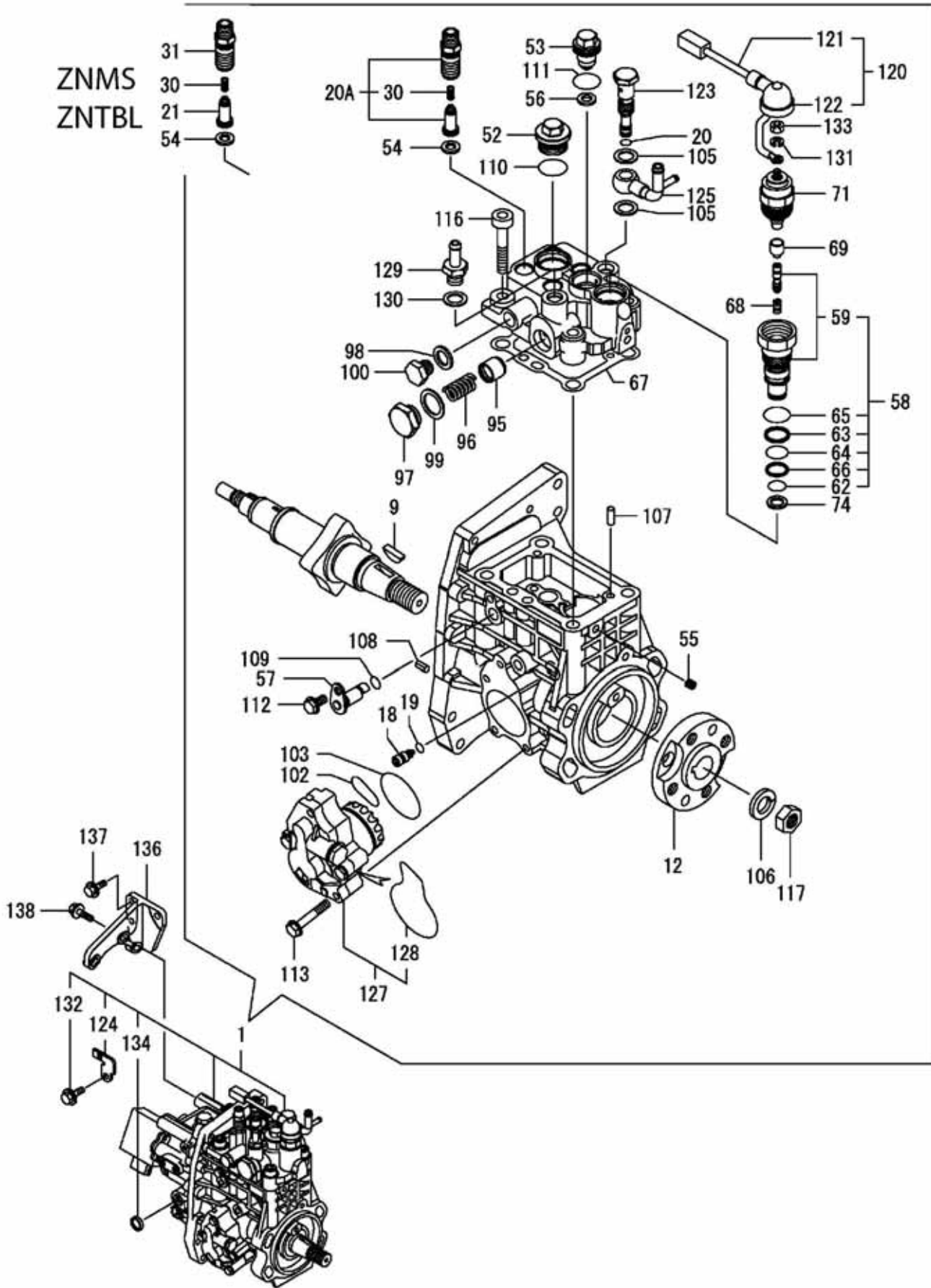
COOLING WATER SYSTEM

Ref. No.	Part No.	Description	Quantity ZNTBL/T-ZNTBL/ T-ZNMS
1	186684b	PUMP ASSY,WATER (T-ZNMS)	1
	197634a	PUMP ASSY,WATER	1
11	425-36113	GASKET, CW-P	1
12	425-35165	BOLT M 6X 30 PLATED	2
13	425-34748	BOLT M 8X 55 PLATED	5
14	186685b	PULLEY (T-ZNMS)	1
	197695c	PULLEY (T-ZNMS)	1
	197696	PULLEY (ZNTBL)	1
	183543	PULLEY (T-ZNTBL)	1
15	138132b	BOLT M10 X 18 PLATED (T-ZNMS)	4
	186615a	BOLT M 6X 12 PLATED	4
16	197689	CASE ASSY,THERMOSTAT (T-ZNMS)	1
	197702	CASE ASSY,THERMOSTAT (ZNTBL)	1
	197741	CASE ASSY,THERMOSTAT (T-ZNTBL)	1
17	197635	THERMOMETER	1
18	197685	JOINT CMP	1
19	197686	JOINT	1
20	138123	PLUG PT3/8,STEEL	1
22	186564	COVER, THERMOSTAT	1
24	425-36114	GASKET, THERMOSTAT	1
25	186370	GASKET, THERMOSTAT	1
26	186371	THERMOSTAT 180	1
28	425-35959	SEAL WASHER 12	1
29	138123	PLUG PT3/8,STEEL	1
30	188732	BOLT M 6X 20 PLATED	4
31	425-36319	GASKET, CASE	1
32	425-34727	GASKET 8, ROUND	1
33	425-34729	BOLT M 8X 12 PLATED	1
34	188746	BOLT M 8X 60 PLATED	3
35	425-34851	PLUG M16	1
36	197459	SWITCH, THERMO 111	1
37	160427	GASKET 16	2
38	197636	PIPE ASSY, WATER A	1
41	197793	CLAMP 12	2
42	197637	PIPE ASSY, WATER B	1
45	197793	CLAMP 12	2
46	197687	JOINT	1
47	197738	PIPE ASSY, WATER IN	1
48	197745	HOSE CLIP 22	2
51	197688	PIPE ASSY, WATER OUT	1
52	197745	HOSE CLIP 22	2
55	197694	CRIP150-M8	1
56	425-34729	BOLT M 8X 12 PLATED	1
57	241477b	BELT/ALTERNATOR (T-ZNMS)	1
	197802c	V-BELT A44 (T-ZNMS)	1
	197803	V-BELT (ZNTBL)	1
	184405	V-BELT A41 (T-ZNTBL)	1
60	186563	FAN (ZNTBL)	1
61	186303c	SPACER, FAN (T-ZNMS, ZNTBL)	1
	197446	SPACER, FAN (T-ZNTBL)	1
62	425-34761	BOLT M8X35 PLATED (ZNTBL)	4
	425-34747	BOLT M8X45 PLATED (T-ZNTBL)	4
63	425-34736	JOINT PT1/4 (T-ZNMS AND T-ZNTBL)	1
64	186311	SENSOR, THERMO. (T-ZNMS AND T-ZNTBL)	1
65	425-34707	GASKET 10 (T-ZNMS AND T-ZNTBL)	1
66	186479	SUBTANK (T-ZNMS AND T-ZNTBL)	1
67	186360	PLUG, SUBTANK	1
68	186359	CAP	1
69	186461	CLAMP	1
70	186361	GASKET	1
71	186358	PIPE	1
72	425-34854	COCK ASSY, 3-WAY	1
73	425-35273	COCK, DRAIN	1
74	197454	GASKET	1
75	186301	PIPE, FUEL	1

a) 196108, 196340, and 192808 engines. b) 241541 engine

c) 192808 engine, alternate belt part number 194319 may also be used.

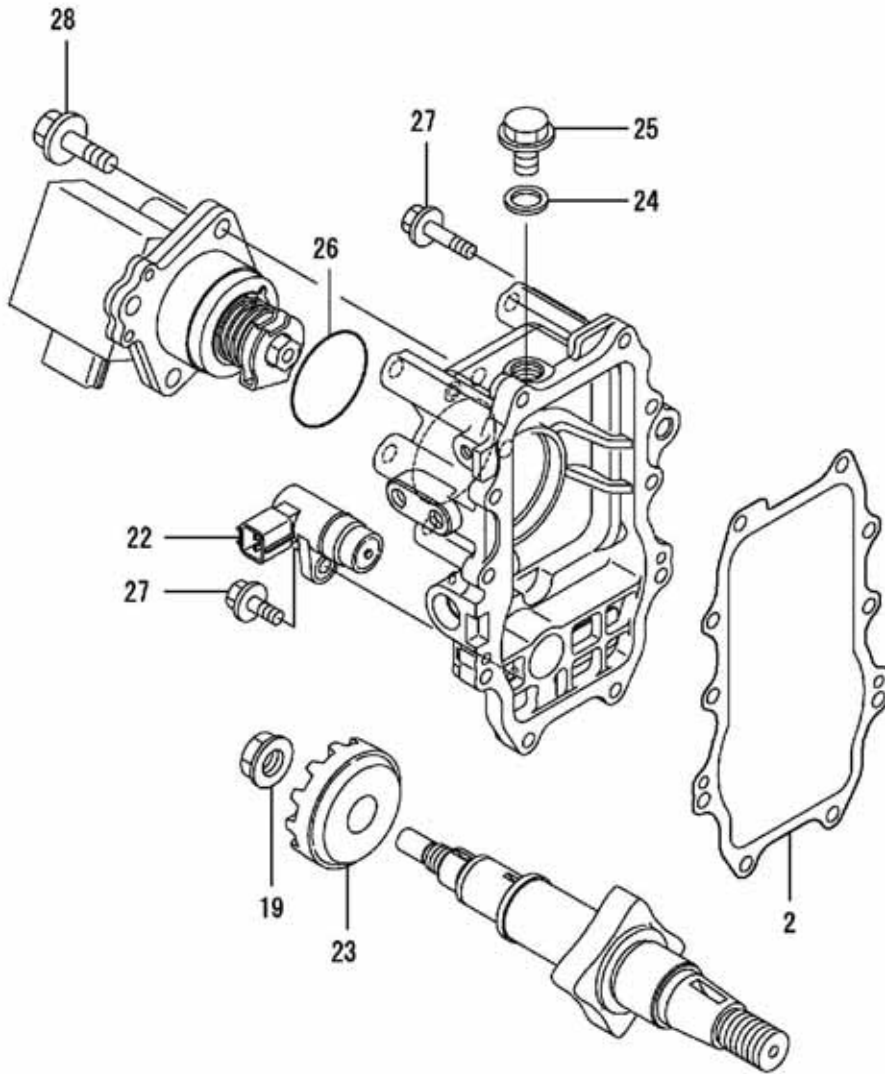
FUEL INJECTION PUMP



FUEL INJECTION PUMP

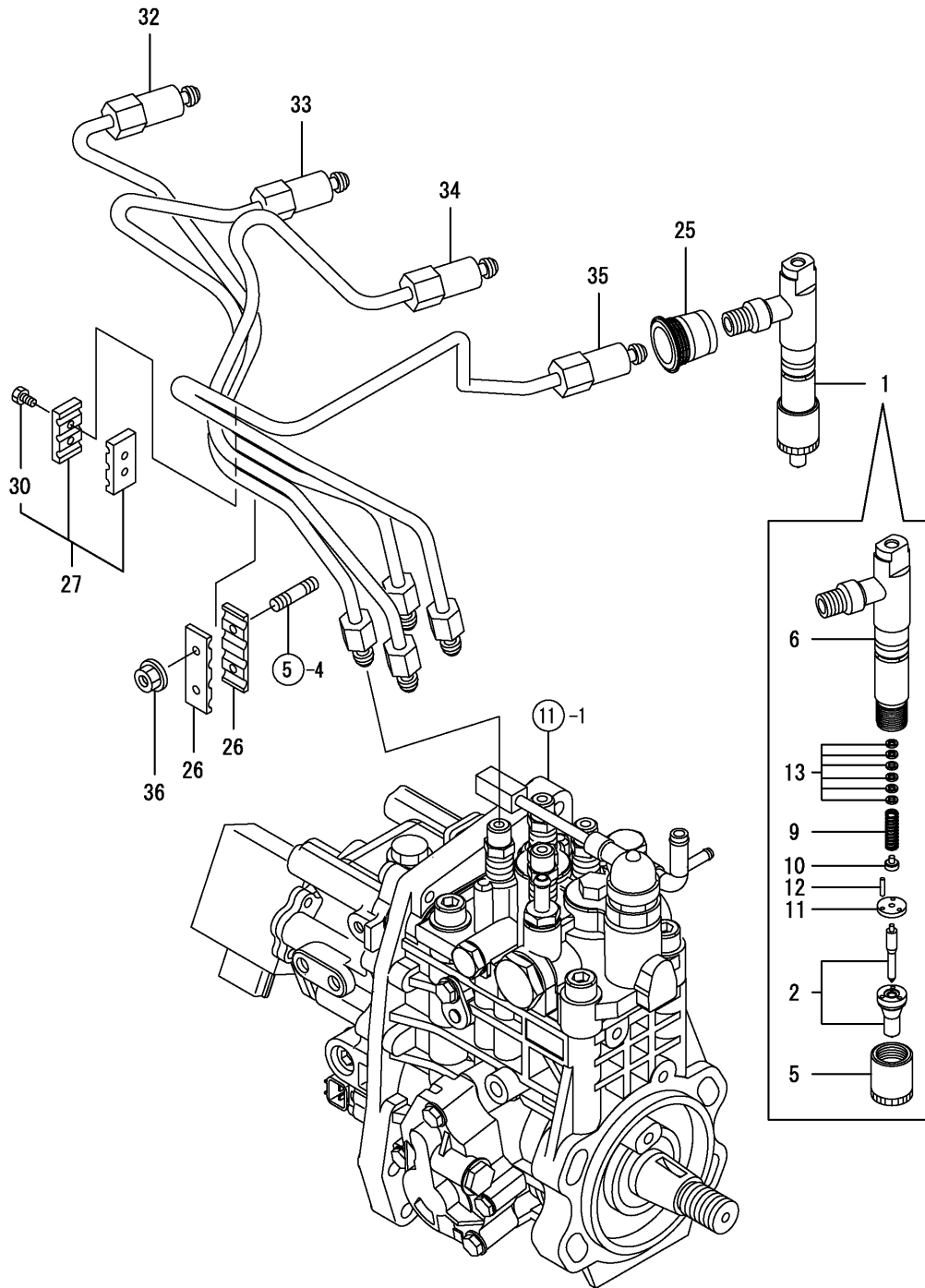
Ref. No.	Part No.	Description	Quantity 4TNV98
1	197835	INJECTON PUMP ASSY (ZNMS)	1
	197837	INJECTON PUMP ASSY (T-ZNMS)	1
	197834	INJECTON PUMP ASSY (ZNTBL)	1
	197836	INJECTON PUMP ASSY (T-ZNTBL)	1
9	197754	KEY 5X19	1
12	186590	FLANGE	1
18	197772	STOPPER	1
19	197770	O-RING	1
20	197770	O-RING	1
20A	186686	SETTING,DELIVERY (T-ZNMS)	4
21	197640	VALVE ASSY, DELIVERY	4
30	186678	SPRING	4
31	197641	HOLDER,DELIVERY (ZNMS AND ZNTBL)	4
	197690	HOLDER,DELIVERY (T-ZNMS AND T-ZNTBL)	4
52	197773	PLUG	1
53	197608	PLUG	1
54	186676	PK(BARREL PLUG	4
55		PLUG	1
56	197599	PACKING, PLUG	1
57		LIFTER	1
58		TIMER SET	1
59		TIMER CMP	1
62		O-RING, 1011	1
63		BACKUP RING	1
64		O RING	1
65		PACKING, 1020	1
66		RING, BACKUP T2 P 15	1
67	197768	PACKING, HEAD	1
68		SPRING,TIMER	1
69		CAP,TIMER	1
71	197477	VALVE,SOLENOID	1
74		PACKING,TIMER	1
95		PISTON	1
96		DAMPER ASSY	1
97		PLUG	1
98	425-35959	SEAL WASHER 12	1
99	192294	SEAL WASHER 18	1
100	425-35174	PLUG M12,HEX.	1
102	192297	O-RING	1
103	192299	O-RING 4E S42	1
105	425-35959	SEAL WASHER 12	2
106	186596	SPRING WASHER 18	1
107		PARALLEL PIN 5X14	2
108	425-34892	SPRING PIN 5X10	2
109	186607	O-RING 1A P-7.0	1
110	197799	PACKING, 1020	1
111	197800	O RING	1
112	425-35263	BOLT 6X 10 PLATED	1
113	425-35705	BOLT M 6X 35 PLATED	4
116	197816	BOLT M10X 45	4
117	186626	NUT M18,LOCK	1
120	197642	HARNESS CMP	1
121	197643	HARNESS ,CSD	1
122	197510	CAP,RUBBER	1
123	192292	JOINT	1
124	197644	BRACKET ,CSD	1
125	192290	JOINT	1
127	192295	PUMP ASSY,FEED	1
128	192296	O-RING(FEED P INNER	1
129	192298	JOINT,PIPE	1
130	425-35959	SEAL WASHER 12	1
131	425-34968	SPRING WASHER 5	1
132	186615	BOLT M 6X 12 PLATED	1
133	197817	NUT M 5	1
134	197818	PLUG 16	1
136	197639	RETAINER(FOP	1
137	425-34746	BOLT M 8X 20 PLATED	3
138	425-34760	BOLT M 8X 30 PLATED	3

GOVERNOR



Ref. No.	Part No.	Description	Quantity 4TNV98
2	197769	PACKING, CASE	1
19	425-35343	NUT, GOVERNOR WEIGHT	1
	197488	NUT, GOVERNOR WEIGHT (T-ZNTBL)	1
22	197767	SENSOR	1
23	197760	GEAR,SENSOR	1
24	425-34935	GASKET 12, ROUND	1
25	425-35174	PLUG M12,HEX.	1
26	197797	O-RING 1A S-48.0	1
27	197805	BOLT M 6X 25 PLATED	10
28	425-34765	BOLT M 8X 25 PLATED	3

FUEL INJECTION VALVE

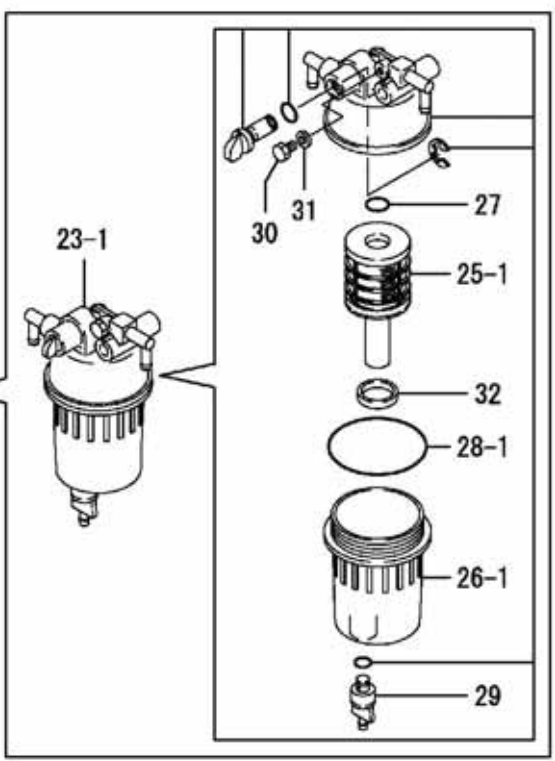
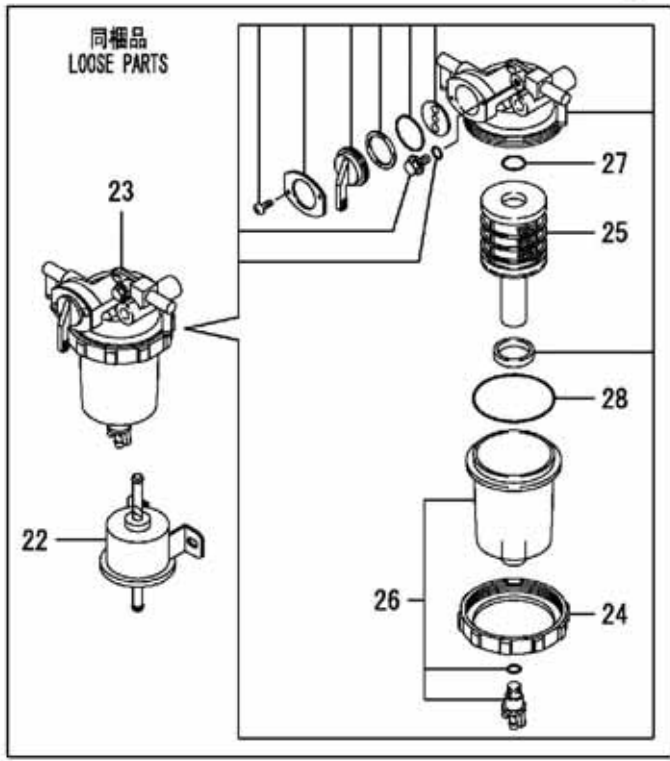
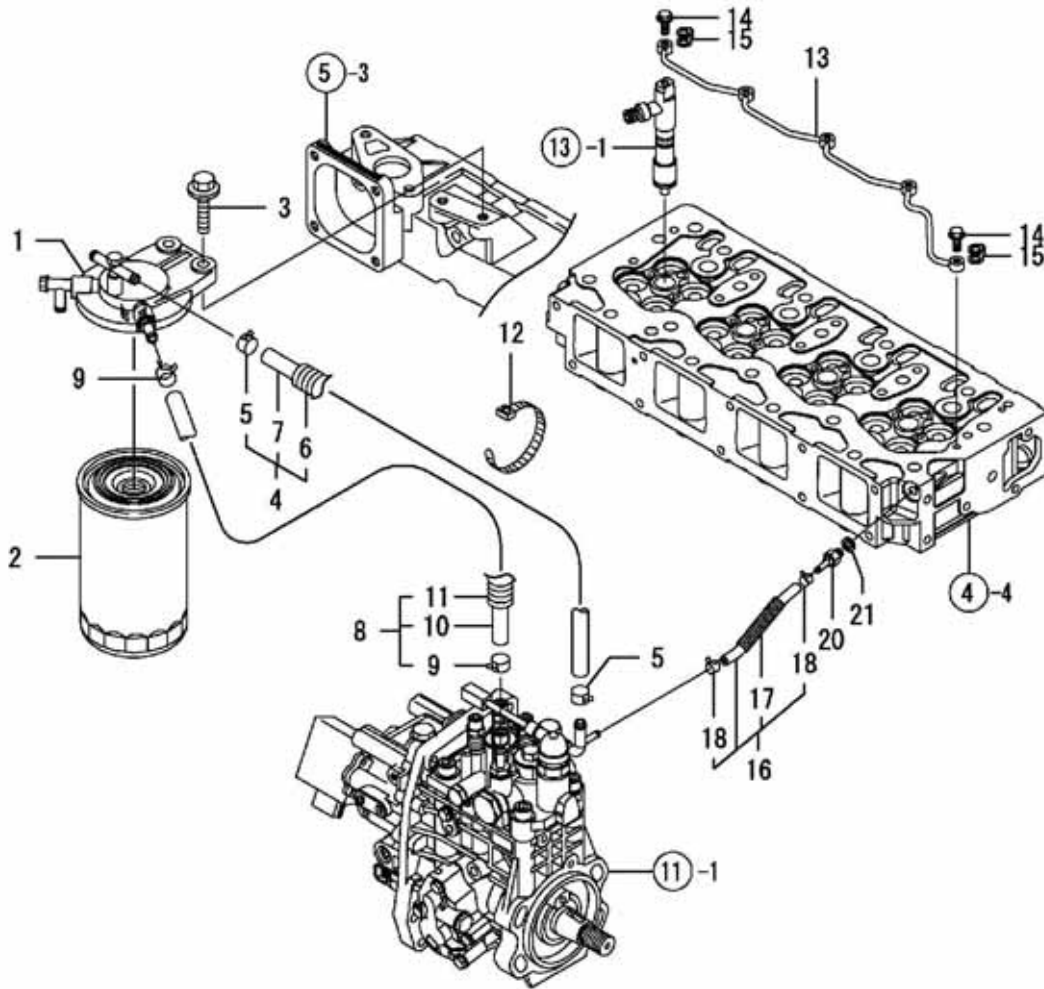


Y00W2680	13, FUEL INJECTION VALVE			
4TNV98-ZNMS	1, 07/12	2	3	PLUS

FUEL INJECTION VALVE

Ref. No.	Part No.	Description	Quantity 4TNV98
1	197830	FUEL INJECTOR(RDG (ZNMS AND ZNTBL)	4
	197833	FUEL INJECTOR(RDN (T-ZNMS AND T-ZNTBL)	4
2	197645	NOZZLE ASSY (ZNMS AND ZNTBL)	4
	197691	NOZZLE ASSY (T-ZNMS AND T-ZNTBL)	4
5	425-34903	NUT, NOZZLE CASE	4
6	197646	HOLDER ASSY, NOZZLE (ZNMS AND ZNTBL)	4
	186553	HOLDER ASSY, NOZZLE (T-ZNMS AND T-ZNTBL)	4
9	425-34666	SPRING, NOZZLE	4
10	425-34905	SEAT, NOZZLE SPRING	4
11	425-34906	PLATE, STOP	4
12	188447	PIN	8
13	188448	SHIM PACK	4
25	186407	PIPE SEAL	4
26	137962	BRACKET	2
27	425-35452	RETAINER, INJ. PIPE	1
30	186473	BOLT M4X14,HEX.SCKT.	2
32	197648	PIPE ASSY, INJECTION	1
33	197649	PIPE ASSY, INJECTION	1
34	197650	PIPE ASSY, INJECTION	1
35	197651	PIPE ASSY, INJECTION	1
36	188754	NUT M 6	2

FUEL LINE



FUEL LINE

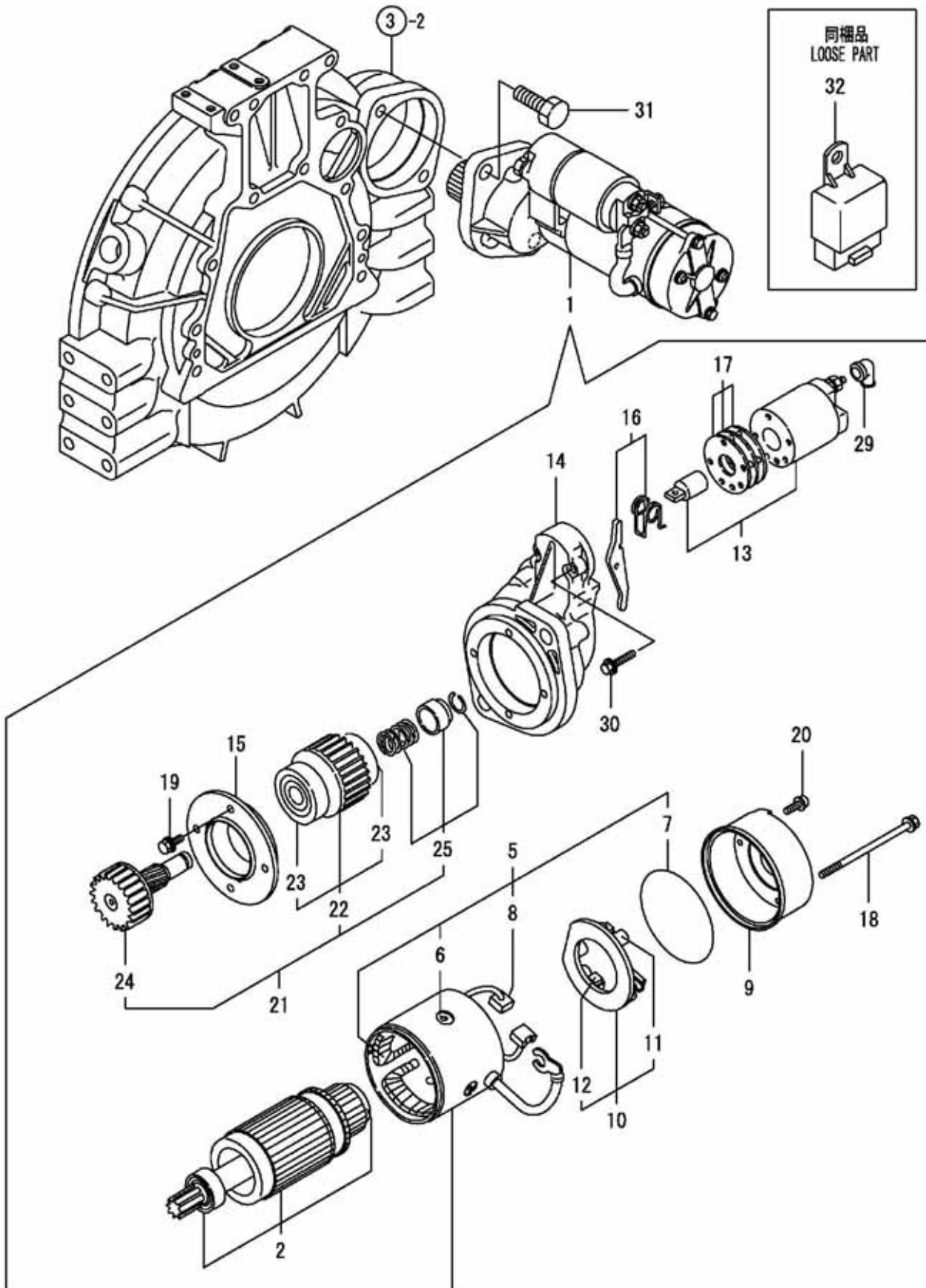
Ref. No.	Part No.	Description	Quantity 4TNV98
1	186467	BRACKET,FUEL FILTER	1
2	193024	FILTER, FUEL OIL	1
3	425-34760	BOLT M 8X 30 PLATED	2
4	186478	PIPE ASSY, FUEL	1
5	425-34916	CLAMP 12	2
6	138107	PROTECTOR, FUEL PIPE	1
7	425-36289	PIPE, FUEL OIL	1
8	197746	PIPE ASSY, FUEL	1
9	425-34916	CLAMP 12	2
10	197500	PIPE, FUEL OIL	1
11	188691	TUBE	1
12	137953	CLAMP 140	1
13	186554	PIPE ASSY,F.O.RETURN	1
14	186430	JOINT BOLT M6	5
15	186431	PACKING,FUEL RETURN	5
16	197647	PIPE, FUEL RETURN	1
17	197508	CORRUGATED TUBE	1
18	186464	CLAMP 9	2
20	186432	HOSE JOINT 4	1
21	425-34750	SEAL WASHER 8S	1
22	186308	PUMP ASSY, FUEL FEED (ZNMS AND T-ZNMS)	1
	186483	PUMP ASSY, FUEL FEED (ZNTBL AND T-ZNTBL)	1
23-1	198139bc	FUEL SEPARATOR ASSY	1
23	194317ac	FUEL SEPARATOR ASSY	1
24	425-34924a	RING, RETAINING	1
25-1	203822b	ELEMENT	1
25	186340a	ELEMENT	1
26-1	203821b	CUP ASSY(SERVICE PART)	1
26	270981a	CUP ASSY(SERVICE PART)	1
27	425-34744	O-RING 1A P-16.0	1
28-1	203827b	O-RING 1A 7-75.0	1
28	425-34927a	O-RING 1A G-65.0	1
29	203823b	PLUG, DRAIN	1
30	203824b	VALVE, AIR VENT	1
31	203825b	PACKING, PLUG	1
32	203826b	FLOAT	1

a) 192808 and 192809 Engines

b) 241451 and 242474 Engines

c) 198139 and 194317 are interchangeable parts.

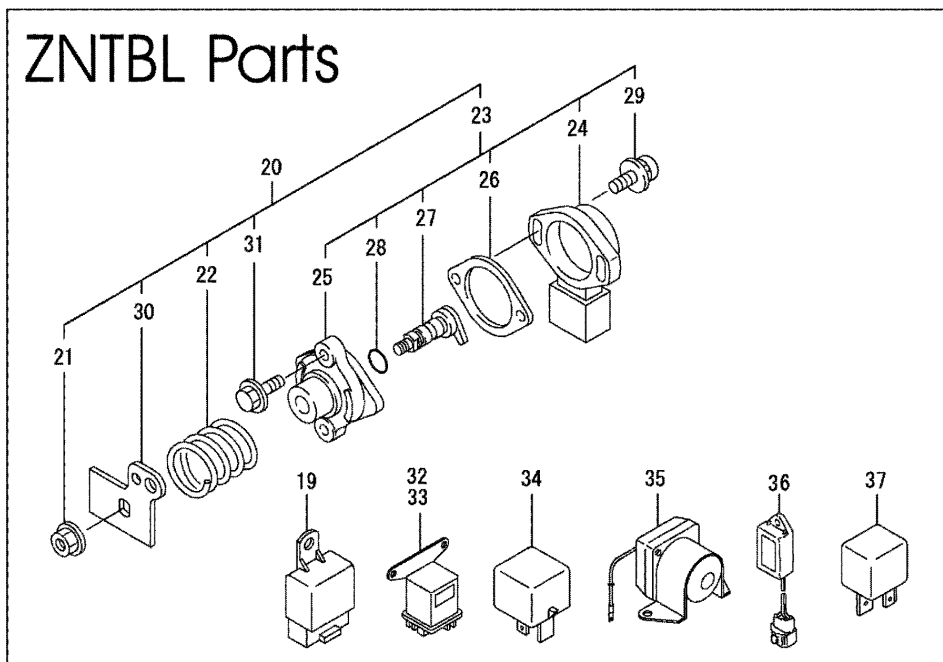
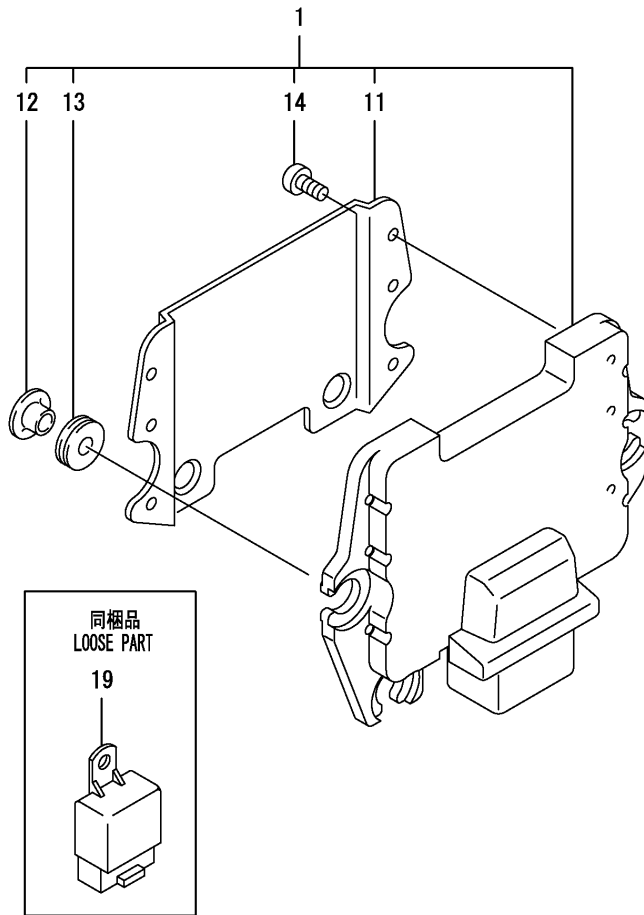
STARTING MOTOR



STARTING MOTOR

Ref. No.	Part No.	Description	Quantity 4TNV98
1	194316	STARTER 12V,3KW	1
2	197716	ARMATURE ASSY	1
5	197717	COIL ASSY, FIELD	1
6	197718	SCREW, POLE CORE SET	4
7	197719	O-RING	1
8	197720	BRUSH (+)	2
9	197721	COVER, REAR	1
10	197722	HOLDER, BRUSH	1
11	197723	SPRING, BRUSH	1
12	197724	BRUSH (-)	2
13	197725	SWITCH ASSY,MAGNETIC	1
14	197726	HOUSING, GEARS	1
15	197727	RETAINER, BEARING	1
16	197728	SHIFT LEVER SET	1
17	197729	COVER ASSY, DUST	1
18	197730	THROUGHT BOLT	2
19	197731	BOLT M6X 20	4
20	197732	SCREW M4X 10	2
21	138056	PINION ASSY	1
22	138057	CLUTCH ASSY	1
23		BALL BEARING (3)	2
24	138058	SHAFT, PINION	1
25	137930	STOPPER KIT, PINION	1
29	425-35916	TERMINAL COVER (ZNMS, T-ZNMS AND T-ZNTBL)	1
	186463	COVER, TERMINAL (ZNTBL)	1
30	197444	BOLT M 6X 37	2
31	188748	BOLT M12X 25 PLATED	2
	425-36301	BOLT M12 X 30 PLATED (T-ZNTBL)	2
32	193206	RELAY CA, TYPE C 20 A	2

ELECTRIC PARTS



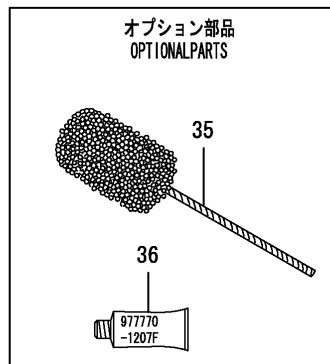
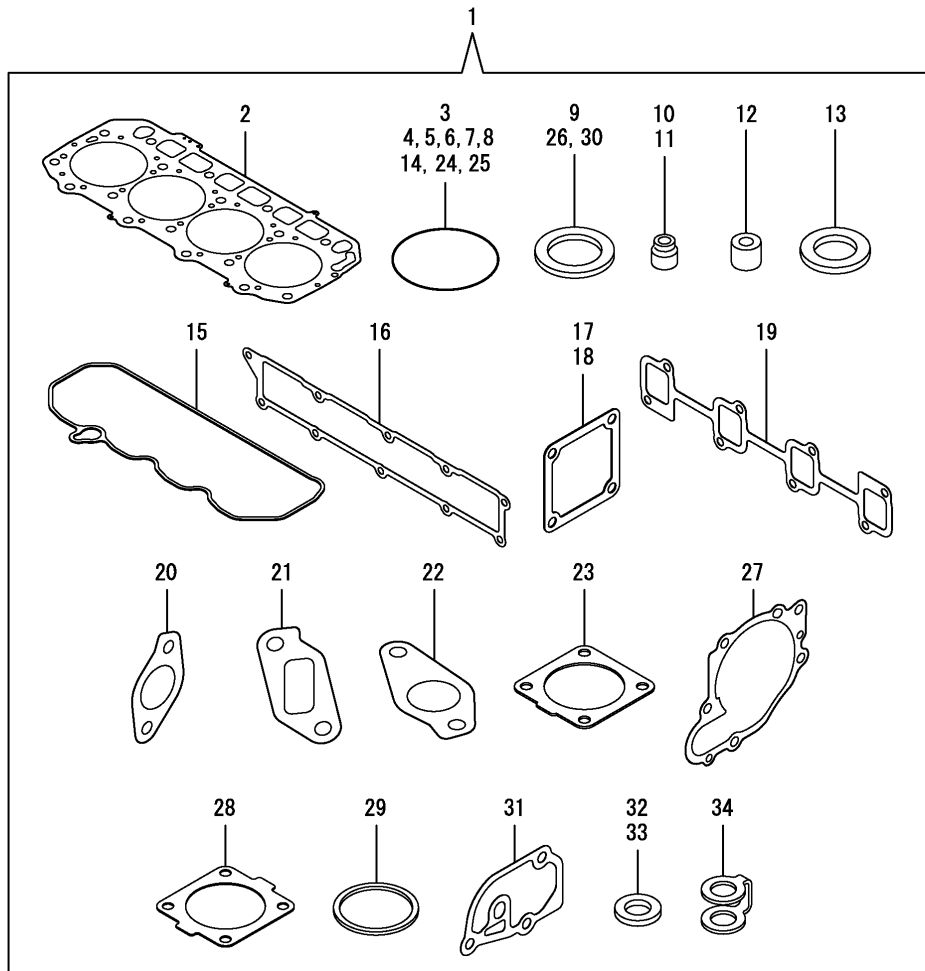
Y00W2680	16, ELECTRIC PARTS			
4TNV98-ZNMS	1, 07/12	2	3	PLUS

ELECTRIC PARTS

Ref. No.	Part No.	Description	Quantity 4TNV98
1	186679	ECU ASSY	1
11	197660	SHIELD,ECU	1
12	197661	COLLAR, CONTROLLER	3
13	197452	RUBBER, CUSHION	3
14	197788	SCREW, 5.0 X 8	6
19	193206	RELAY CA,TYPE C 20 A	2
20	197703	ACCEL SENSOR ASSY	1
21	197781	NUT W/ WASHER 6	1
22	197448	SPRING, RETURN	1
23	197493	SENSOR ASSY, ACCEL	1
24	197780	BODY	1
25	197494	SUPPORT	1
26	197495	GASKET, SUPPORT	1
27	197496	SHAFT ASSY	1
28	186607	O-RING 1A P-7.0	1
29	197804	SCREW M4X20	2
30	197704	ACCEL SENSOR LEVER	1
31	186615	BOLT M6X12 PLATED	2
32	186336	RELAY, POWER	1
33	186336	RELAY, POWER	1
34	197662	RELAY(SIO,90A	1
35	160888	RELAY, MAGNETIC	1
36	160891	TIMER	1
37	197663	RELAY(ISO,70A	1

TOOL AND GASKET SET

ZNMS Engine



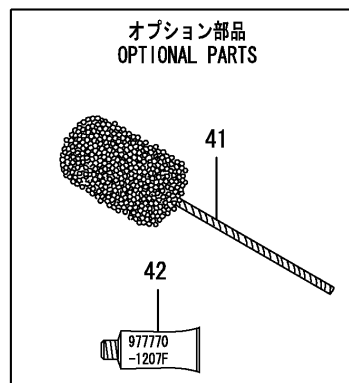
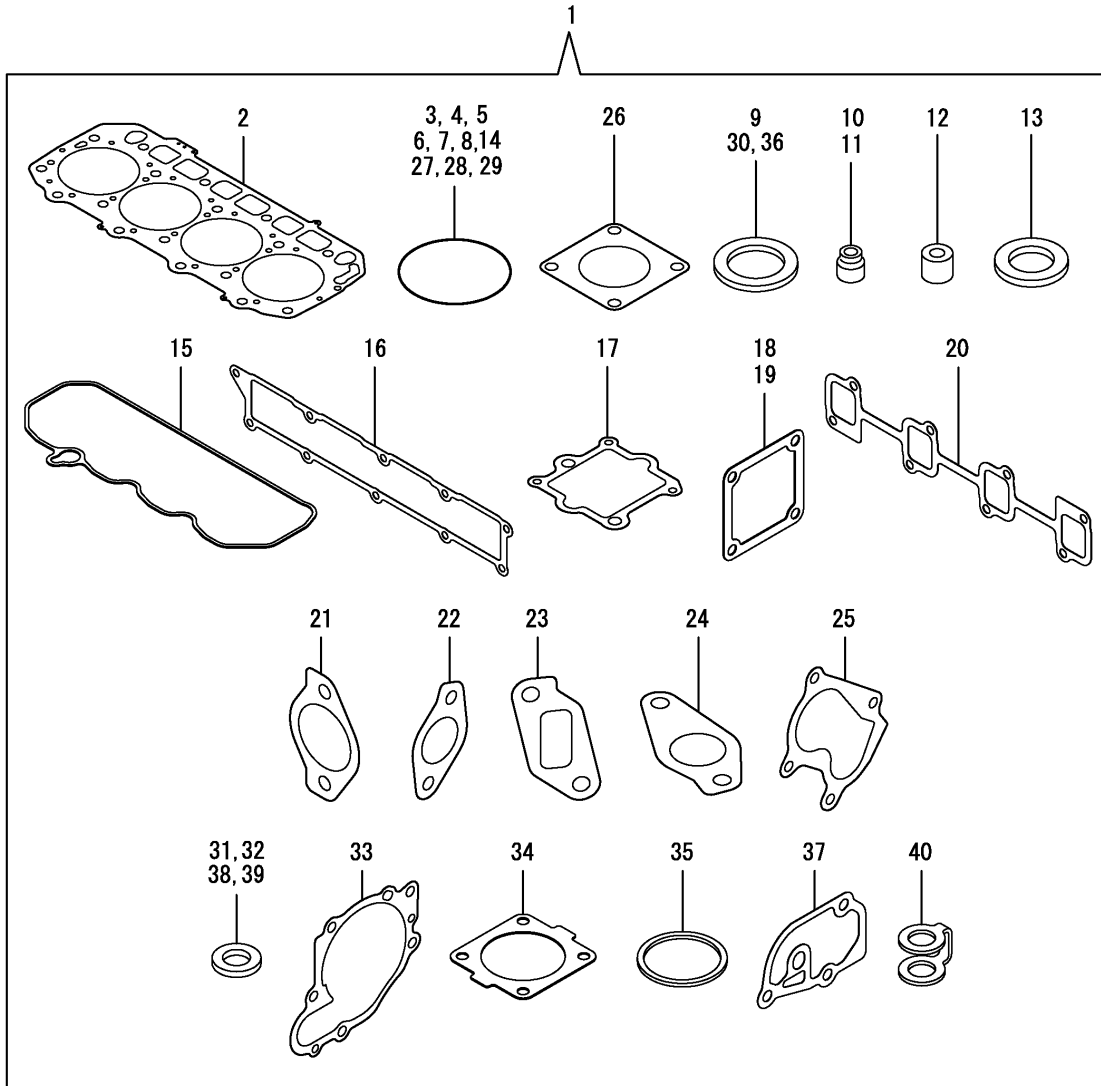
Y00W2680	17. GASKET SET			
4TNV98-ZNMS	1, 07/12	2	3	PLUS

TOOL AND GASKET SET

Ref. No.	Part No.	Description	Quantity ZNMS
1	197503	GASKET SET(NON-ASB.)	1
2	186513	GASKET,CYLINDER HEAD	1
3	138100	O-RING P20	2
4	138101	O-RING P14	1
5	186607	O-RING 1A P-7.0	1
6	186612	PACKING, 3075	1
7	425-34745	O-RING 1A P-32.0	2
8	138127	O-RING 1A G-85.0	1
9	138113	SEAL WASHER 22S	1
10	197472	SEAL, VALVE STEM(EXH)	8
11	425-35191	SEAL, VALVE STEM(INT)	8
12	186337	PROTECTOR, NOZZLE	4
13	425-34796	SEAT, NOZZLE	4
14	425-34776	O-RING 1A P 12.0	8
15	197698	GASKET, BONNET	1
16	186538	PACKING(INT.MANIFOLD)	1
17	197450	GASKET	1
18	425-36318	GASKET, (NON-ASB.)	1
19	425-36128	GASKET	1
20	197627	GASKET, EGR PIPE	1
21	197629	GASKET(EGR-V IN	1
22	197630	GASKET(EGR-V OUT	1
23	138104	GASKET, SILENCER	1
24	186611	O-RING 1A S-53.0	1
25	425-34827	O-RING 1A P-10A	1
26	425-34750	SEAL WASHER 8S	9
27	425-36113	GASKET, CW-P	1
28	425-36114	GASKET, THERMOSTAT	1
29	186370	GASKET, THERMOSTAT	1
30	425-35959	SEAL WASHER 12	1
31	425-36319	GASKET, CASE	1
32	425-34727	GASKET 8, ROUND	1
33	160427	GASKET 16	2
34	186431	PACKING,FUEL RETURN	5
35	138091	FLEX HONE	1
36	138154	GASKET.LIQUID	1

TOOL AND GASKET SET

ZNTBL, T-ZNTBL and T-ZNMS Engines



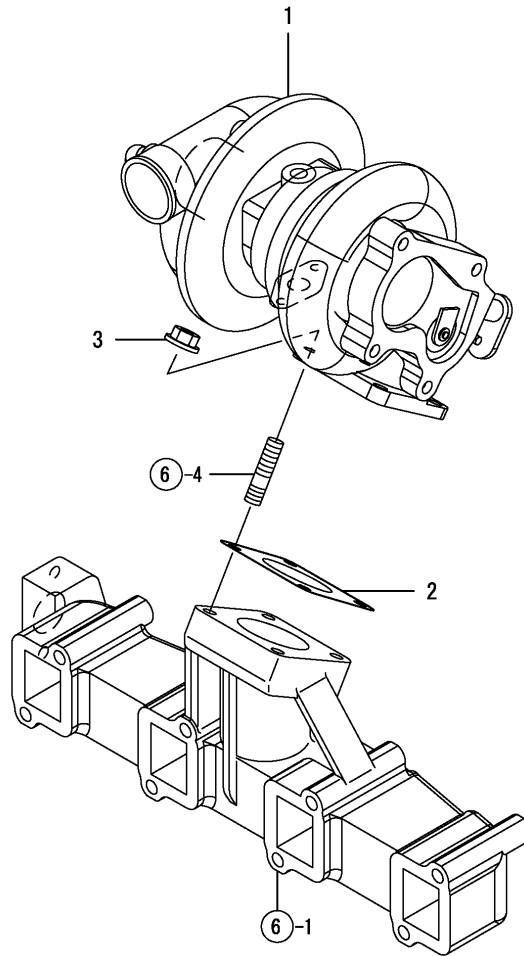
Y00W2670	19, GASKET SET			
4TNV98T-ZNMS	1, 07/12	2	3	PLUS

TOOL AND GASKET SET

Ref. No.	Part No.	Description	Quantity ZNTBL/T-ZNTBL/ T-ZNMS
1	197504	GASKET SET(NON-ASB.) (T-ZNMS)	1
	197503	GASKET SET(NON-ASB.) (ZNTBL)	1
	197871	GASKET SET(NON-ASB.) (T-ZNTBL)	1
2	186513	GASKET,CYLINDER HEAD	1
3	138100	O-RING P20	2
4	138101	O-RING P14	1
5	186607	O-RING 1A P-7.0	1
6	186612	PACKING, 3075	1
7	425-34745	O-RING 1A P-32.0 (T-ZNMS)	2
	425-34745	O-RING 1A P-32.0 (ZNTBL AND T-ZNTBL)	4
	185645	O-RING 1A P-30.0 (ZNTBL AND T-ZNTBL)	1
8	138127	O-RING 1A G-85.0	1
	186610	O-RING 1A G70.0,NBR (T-ZNTBL)	1
9	138113	SEAL WASHER 22S (T-ZNMS AND T-ZNTBL)	1
	186595	SEAL WASHER 30S (ZNTBL)	1
10	197472	SEAL, VALVE STEM(EXH)	8
11	425-35191	SEAL, VALVE STEM(INT)	8
12	186337	PROTECTOR, NOZZLE	4
13	425-34796	SEAT, NOZZLE	4
14	425-34776	O-RING 1A P 12.0	8
15	197698	GASKET, BONNET	1
16	186538	PACKING(INT.MANIFOLD)	1
17	197679	GASKET(EGR-V SPACER)	1
18	197450	GASKET	1
19	425-36318	GASKET, (NON-ASB.)	1
20	425-36128	GASKET	1
21	197676	GASKET, EGR COOLER	2
22	197627	GASKET, EGR PIPE	1
23	197629	GASKET(EGR-V IN)	1
24	197630	GASKET(EGR-V OUT)	1
25	138488	GASKET, T/C OUT	1
26	197514	GASKET (T-ZNMS)	1
	138104	GASKET, SILENCER (ZNTBL AND T-ZNTBL)	2
27	186611	O-RING 1A S-53.0	1
28	186609	O-RING 1A G-60.0	1
29	425-34827	O-RING 1A P-10A	1
30	425-34750	SEAL WASHER 8S (T-ZNMS AND T-ZNTBL)	11
	425-34750	SEAL WASHER 8S (ZNTBL)	9
31	425-34837	GASKET 10, ROUND (T-ZNMS AND T-ZNTBL)	2
	425-34707	GASKET 10 (ZNTBL)	1
32	197618	GASKET,LO-T RETURN	1
33	425-36113	GASKET, CW-P	1
34	425-36114	GASKET, THERMOSTAT	1
35	186370	GASKET, THERMOSTAT	1
36	425-35959	SEAL WASHER 12	1
37	425-36319	GASKET, CASE	1
38	425-34727	GASKET 8, ROUND	1
39	160427	GASKET 16 (T-ZNMS)	2
	160427	GASKET 16 (ZNTBL AND T-ZNTBL)	1
40	186431	PACKING,FUEL RETURN	5
41	138091	FLEX HONE	1
42	138154	GASKET.LIQUID	1

TURBINE

T-ZNMS and T-ZNTBL Engines



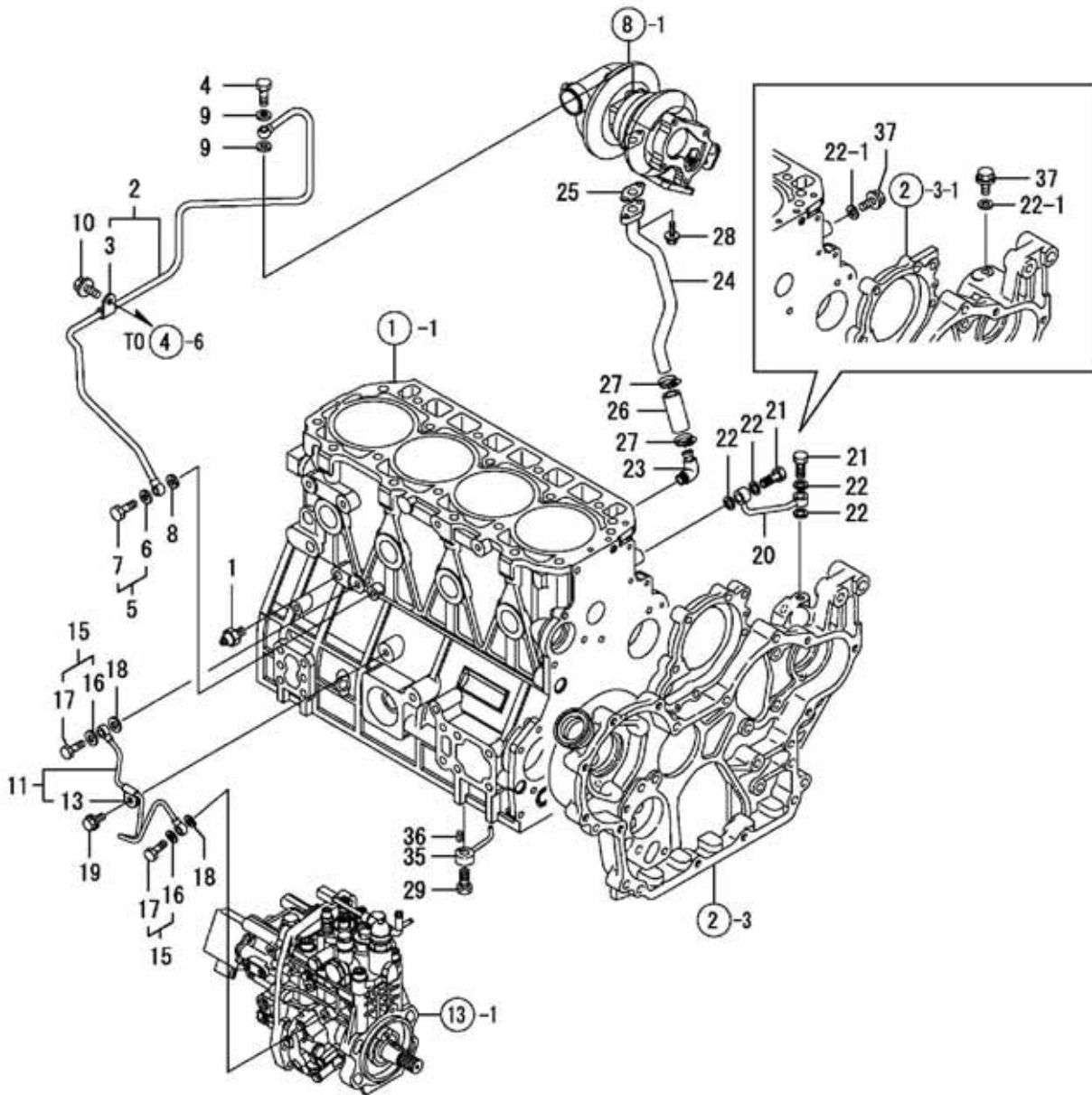
Y00W2670	8	TURBINE			
4TNV98T-ZNMS	1.07/12	2	3	PLUS	

TURBINE

Ref. No.	Part No.	Description	Quantity T-ZNMS/T-ZNTBL
1	197700	TURBINE, RHF5	1
2	197514	GASKET	1
3	138140	NUT	4

LUBRICATION OIL LINE

T-ZNMS and T-ZNTBL Engines



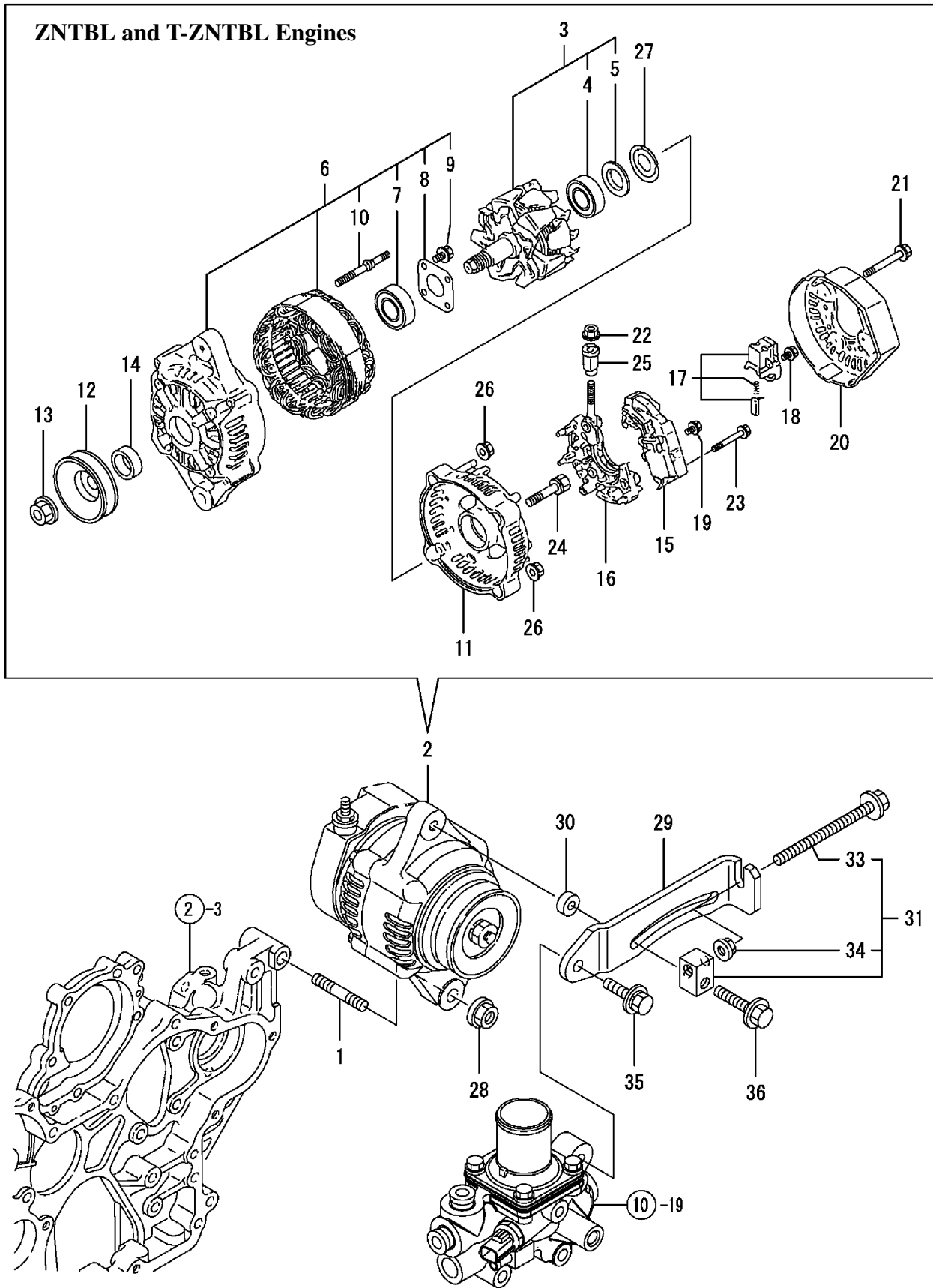
LUBRICATION OIL LINE

Ref. No.	Part No.	Description	Quantity T-ZNMS/T-ZNTBL
1	425-36085	SENDER, OIL PRESSURE (T-ZNMS)	1
	425-34684	SENDER, OIL PRESSURE (T-ZNTBL)	1
2	197502	PIPE ASSY,LUB OIL (T-ZNMS)	1
	197684	PIPE ASSY,LUB OIL (T-ZNTBL)	1
3	138510	RETAINER	1
4	138471	BOLT, PIPE JOINT	1
5	186468	BOLT ASSY, JOINT	1
6	425-34750	SEAL WASHER 8S	1
7	186600	JOINT BOLT 3	1
8	425-34750	SEAL WASHER 8S	1
9	425-34837	GASKET 10, ROUND	2
10	425-34729	BOLT M 8X 12 PLATED	1
11	197633	PIPE ASSY, LUB.OIL	1
13	186421	SUPPORT,PIPE	1
15	186468	BOLT ASSY, JOINT	2
16	425-34750	SEAL WASHER 8S	2
17	186600	JOINT BOLT 3	2
18	425-34750	SEAL WASHER 8S	2
19	425-34729	BOLT M 8X 12 PLATED	1
20	186565	PIPE	1
21	186300	BOLT, PIPE JOINT	2
22	425-34750a	SEAL WASHER 8S	4
22-1	425-34750b	SEAL WASHER 8S	2
23	138509	ELBOW (PT3/8)	1
24	197751	PIPE ASSY, LUB. OIL (T-ZNMS)	1
	197701	PIPE ASSY, LUB. OIL (T-ZNTBL)	1
	425-34729	BOLT M 8X 12 PLATED (T-ZNTBL)	1
	197480	RETAINER (T-ZNTBL)	1
25	197618	GASKET,LO-T RETURN	1
26	138492	HOSE	1
27	197790	CLAMP 25	2
28	425-35164	BOLT M 6X 16 PLATED	2
29	197617	VALVE ASSY, CHECK	4
35	197445	NOZZLE, PISTON JET	4
36	138117	SPRING PIN 3X10	4
37	425-34729b	BOLT M8 X 12 PLATED	2

a) 192808 Engine only.

b) 241541 Engine only.

GENERATOR



GENERATOR

Ref. No.	Part No.	Description	Quantity ZNTBL/T-ZNTBL
1	186484	STUD	1
2	184401	ALTERNATOR	1
3	186315	ROTOR ASSY	1
4	188508	BEARING, BALL	1
5	186325	COVER, BEARING	1
6	186316	FLAME ASSY, DRIVE	1
7	186321	BALL BEARING	1
8	186322	PLATE	1
9	186323	SCREW	4
10	186324	BOLT, STUD	2
11	186317	FLAME ASSY, REAR	1
12	186318	PULLEY	1
13	186319	NUT	1
14	186320	COLLAR	1
15	186475	REGULATOR	1
16	186326	HOLDER	1
17	186469	HOLDER, BRUSH	1
18	186327	SCREW	6
19	186328	SCREW	1
20	186476	COVER, END, RR	1
21	186329	BOLT	3
22	186477	NUT	1
23	186330	SCREW W/ WASHER	2
24	186331	BOLT	2
25	186332	INSULATION BUSH	1
26	186333	NUT	2
27	186334	THRUST WASHER	1
28	138141	NUT	1
29	197600	ADJUSTER, BELT	1
30	137950	SPACER	1
31	197453	BROCK, GENERATOR CMP	1
33	197806	BOLT 8*100	1
34	138140	NUT	1
35	425-35026	BOLT M8X25	1
36	425-34748	BOLT M8X55 PLATED	1

Ref. No.	Part No.	Description	Quantity ZNMS/T-ZNMS
2	241459b	ALTERNATOR 95 A	1
	194165a	ALTERNATOR 95 A	1

a) 192808 and 192809 engines

b) 241451 and 242474 engines

SECTION NOTES

Part No.	Page No.	Ref. No.	Part No.	Page No.	Ref. No.	Part No.	Page No.	Ref. No.	Part No.	Page No.	Ref. No.
137930	44	25	138140	20	12	186329	56	21	186468	26	21
137947	4	33	138140	20	24	186330	56	23	186468	30	44
137948	4	20	138140	52	3	186331	56	24	186468	54	5
137949	4	45	138140	56	34	186332	56	25	186468	54	15
137950	56	30	138141	4	13	186333	56	26	186469	56	17
137953	28	11	138141	56	28	186334	56	27	186471	22	1
137953	30	11	138154	48	36	186335	8	61	186473	40	30
137953	42	12	138154	50	42	186336	46	32	186475	56	15
137956	24	11	138471	54	4	186336	46	33	186476	56	20
137957	24	4	138479	12	81	186337	8	25	186477	56	22
137958	24	5	138488	20	9	186337	10	29	186478	42	4
137962	40	26	138488	50	25	186337	48	12	186479	34	66
138020	22	9	138492	54	26	186337	50	12	186483	42	22
138056	44	21	138509	54	23	186340	42	25	186484	56	1
138057	44	22	138510	54	3	186343	24	21	186485	2	27
138058	44	24	138512	18	6	186358	34	71	186486	2	4
138072	28	3	138512	20	3	186359	34	68	186487	4	16
138072	30	3	138522	18	16	186360	34	67	186489	4	26
138091	48	35	160427	32	35	186361	34	70	186490	4	27
138091	50	41	160427	34	37	186370	32	22	186491	2	6
138093	28	7	160427	48	33	186370	34	25	186493	2	9
138093	30	7	160427	50	39	186370	48	29	186494	2	24
138097	22	6	160427	50	39	186370	50	35	186498	24	3
138098	24	3	160888	46	35	186371	32	23	186499	24	14
138100	4	6	160891	46	36	186371	34	26	186501	24	26
138100	26	8	183543	34	14	186375	20	6	186502	24	27
138100	28	20	184401	56	2	186388	8	55	186505	22	10
138100	30	32	184405	34	57	186389	8	56	186506	22	20
138100	48	3	185643	4	44	186390	8	57	186507	4	32
138100	50	3	185644	4	46	186391	8	58	186508	30	33
138101	4	7	185645	4	47	186401	8	35	186510	24	1
138101	48	4	185645	50	7	186401	10	39	186513	2	28
138101	50	4	186300	26	27	186406	8	3	186513	48	2
138104	18	17	186300	30	50	186406	10	5	186513	50	2
138104	20	30	186300	54	21	186407	40	25	186518	8	54
138104	48	23	186301	34	75	186410	8	21	186518	12	58
138104	50	26	186302	26	6	186410	10	25	186519	8	1
138107	42	6	186302	30	21	186411	8	20	186519	8	1
138113	6	11	186303	32	61	186411	10	24	186519	10	1
138113	48	9	186303	34	61	186421	26	19	186520	8	11
138113	50	9	186308	42	22	186421	30	43	186520	10	15
138117	54	36	186311	34	64	186421	54	13	186521	8	12
138123	32	26	186314	8	30	186430	42	14	186521	10	16
138123	34	20	186314	10	34	186431	42	15	186522	8	13
138123	34	29	186315	56	3	186431	48	34	186522	10	17
138127	4	21	186316	56	6	186431	50	40	186523	8	32
138127	48	8	186317	56	11	186432	42	20	186523	10	36
138127	50	8	186318	56	12	186442	28	8	186524	8	33
138132	32	15	186319	56	13	186442	30	8	186524	10	37
138132	34	15	186320	56	14	186443	28	10	186525	8	34
138133	4	22	186321	56	7	186443	30	10	186525	10	38
138136	30	31	186322	56	8	186451	30	17	186528	8	31
138139	4	5	186323	56	9	186461	34	69	186528	10	35
138140	8	49	186324	56	10	186463	44	29	186529	8	17
138140	12	53	186325	56	5	186464	42	18	186529	10	21
138140	18	7	186326	56	16	186466	4	17	186530	8	36
138140	18	11	186327	56	18	186466	4	28	186530	10	40
138140	18	11	186328	56	19	186467	42	1	186531	8	40

NUMERICAL INDEX

Part No.	Page No.	Ref. No.	Part No.	Page No.	Ref. No.	Part No.	Page No.	Ref. No.	Part No.	Page No.	Ref. No.
186531	10	44	186610	50	8	188742	4	30	197496	46	27
186533	8	24	186611	24	10	188742	8	46	197500	42	10
186533	10	28	186611	48	24	188742	12	50	197502	54	2
186534	8	27	186611	50	27	188742	14	11	197503	48	1
186534	10	31	186612	4	9	188742	16	21	197503	50	1
186535	8	44	186612	48	6	188746	8	47	197504	50	1
186535	12	48	186612	50	6	188746	8	48	197507	18	2
186538	14	1	186615	8	65	188746	12	51	197507	18	21
186538	16	1	186615	12	64	188746	12	52	197508	42	17
186538	48	16	186615	32	15	188746	32	31	197514	50	26
186538	50	16	186615	34	15	188746	34	34	197514	52	2
186539	22	2	186615	46	31	188748	44	31	197572	12	62
186543	4	4	186616	4	17	188754	40	36	197590	6	2
186553	40	6	186618	14	12	188757	2	14	197591	2	32
186554	42	13	186618	16	22	193024	42	2	197592	2	35
186563	34	60	186622	6	5	193206	44	32	197593	4	31
186564	32	19	186623	6	6	193206	46	19	197594	24	23
186564	34	22	186624	8	45	194165	56	2	197595	24	30
186565	26	26	186624	12	49	194316	44	1	197596	24	29
186565	30	49	186626	22	19	194317	42	23	197597	22	10
186565	54	20	186635	2	29	195568	26	7	197598	24	1
186567	18	18	186662	24	9	195568	28	19	197599	36	56
186568	18	19	186663	24	7	195568	30	22	197600	56	29
186569	30	17	186664	4	25	197444	44	30	197601	8	52
186570	30	23	186665	30	27	197445	54	35	197601	12	56
186574	30	40	186666	30	28	197446	34	61	197602	8	53
186576	6	2	186676	36	54	197448	46	22	197602	12	57
186578	24	12	186678	36	30	197449	12	61	197603	8	28
186579	22	15	186679	46	1	197450	14	7	197603	10	32
186580	30	20	186680	4		197450	16	17	197604	24	9
186582	30	19	186681	4		197450	48	17	197605	22	16
186582	30	25	186682	4	16	197450	50	18	197606	30	14
186585	24	8	186683	24	9	197451	14	10	197607	26	2
186586	4	3	186684	32	1	197451	16	20	197607	28	15
186587	30	3	186684	34	1	197452	46	13	197608	36	53
186590	22	17	186685	32	14	197453	56	31	197609	20	7
186590	36	12	186685	34	14	197454	34	74	197610	22	3
186593	18	20	186686	36	20	197459	32	34	197611	22	3
186595	30	29	188447	40	12	197459	34	36	197612	24	1
186595	50	9	188448	40	13	197462	18	4	197613	24	1
186596	22	18	188508	56	4	197463	20	16	197614	4	4
186598	8	63	188567	28	5	197469	18	1	197615	28	1
186598	8	64	188567	30	5	197470	6	8	197615	30	1
186598	12	63	188573	4	1	197472	8	15	197616	28	4
186600	26	23	188573	6	1	197472	10	19	197616	30	4
186600	30	46	188596	8	38	197472	48	10	197617	54	29
186600	54	7	188596	8	42	197472	50	10	197618	50	32
186600	54	17	188596	10	42	197475	12	77	197618	54	25
186602	8	8	188596	10	46	197476	16	14	197619	28	6
186602	10	12	188632	12	71	197480	54	24	197619	30	6
186607	4	8	188632	12	74	197481	28	2	197620	6	7
186607	46	28	188691	42	11	197481	30	2	197621	8	51
186607	48	5	188732	16	7	197482	30	26	197622	8	4
186607	50	5	188732	16	8	197483	16	13	197624	14	2
186609	28	13	188732	32	27	197488	38	19	197625	18	1
186609	30	13	188732	34	30	197493	46	23	197626	18	8
186609	50	28	188736	12	87	197494	46	25	197627	18	9
186610	30	30	188742	4	19	197495	46	26	197627	20	18

Part No.	Page No.	Ref. No.	Part No.	Page No.	Ref. No.	Part No.	Page No.	Ref. No.	Part No.	Page No.	Ref. No.
197627	48	20	197679	50	17	197740	30	23	197834	36	1
197627	50	22	197680	20	17	197741	34	16	197835	36	1
197628	18	12	197681	20	19	197743	26	9	197836	36	1
197628	20	25	197682	24	15	197743	28	21	197837	36	1
197629	18	13	197683	26	3	197744	30	26	197870	30	14
197629	20	26	197683	28	16	197745	34	48	197871	50	1
197629	48	21	197684	54	2	197745	34	52	198139	42	23-1
197629	50	23	197685	34	18	197746	42	8	203821	42	26-1
197630	18	14	197686	34	19	197747	12	79	203822	42	25-1
197630	20	27	197687	34	46	197748	12	80	203823	42	29
197630	48	22	197688	34	51	197749	12	78	203824	42	30
197630	50	24	197689	34	16	197750	16	12	203825	42	31
197631	24	17	197690	36	31	197751	54	24	203826	42	32
197632	24	15	197691	40	2	197752	22	20	203827	42	28-1
197633	26	17	197692	12	77	197753	6	8	241459	56	2
197633	30	42	197694	34	55	197754	36	9	241477	32	44
197633	54	11	197695	32	14	197760	38	23	241477	34	57
197634	32	1	197695	34	14	197767	38	22	270970	28	28
197634	34	1	197696	34	14	197768	36	67	270970	32	32
197635	32	17	197697	4	3	197769	38	2	270981	42	26
197635	34	17	197698	8	60	197770	36	19	425-34729	54	24
197636	32	36	197698	12	60	197770	36	20	425-34656	22	4
197636	34	38	197698	48	15	197772	36	18	425-34666	40	9
197637	32	40	197698	50	15	197773	36	52	425-34684	30	41
197637	34	42	197699	20	8	197779	8	62	425-34684	54	1
197638	32	16	197700	52	1	197780	46	24	425-34707	34	65
197640	36	21	197701	54	24	197781	46	21	425-34707	50	31
197641	36	31	197702	34	16	197783	24	22	425-34722	2	5
197645	40	2	197703	46	20	197788	46	14	425-34727	32	29
197646	40	6	197704	46	30	197789	12	83	425-34727	34	32
197647	42	16	197705	14	9	197790	28	12	425-34727	48	32
197648	40	32	197705	16	19	197790	30	12	425-34727	50	38
197649	40	33	197710	30	39	197790	54	27	425-34729	6	12
197650	40	34	197711	30	52	197792	12	84	425-34729	12	86
197651	40	35	197712	30	40	197793	32	39	425-34729	26	14
197660	46	11	197716	44	2	197793	32	43	425-34729	26	25
197661	46	12	197717	44	5	197793	34	41	425-34729	26	29
197662	46	34	197718	44	6	197793	34	45	425-34729	28	26
197663	46	37	197719	44	7	197797	38	26	425-34729	30	38
197664	6	8	197720	44	8	197802	32	44	425-34729	30	48
197665	12	68	197721	44	9	197802	34	57	425-34729	32	30
197666	12	69	197722	44	10	197803	34	57	425-34729	34	33
197666	12	72	197723	44	11	197804	46	29	425-34729	34	56
197667	12	77	197724	44	12	197805	38	27	425-34729	54	10
197668	10	2	197725	44	13	197806	56	33	425-34729	54	19
197669	12	55	197726	44	14	197807	18	10	425-34729	54	37
197670	10	6	197727	44	15	197807	18	15	425-34733	4	10
197671	16	3	197728	44	16	197808	20	28	425-34733	4	18
197672	16	2	197729	44	17	197809	20	29	425-34733	4	29
197673	20	2	197730	44	18	197810	12	82	425-34733	4	36
197674	20	1	197731	44	19	197826	4	23	425-34733	8	2
197675	20	13	197732	44	20	197827	2	1	425-34733	10	3
197676	20	14	197733	8	1	197828	24	32	425-34733	18	22
197676	20	15	197734	30	23	197829	24	34	425-34733	20	10
197676	50	21	197735	30	26	197830	40	1	425-34733	22	8
197677	16	4	197737	20	2	197831	2	1	425-34733	26	5
197678	16	5	197738	34	47	197832	24	32	425-34733	26	15
197679	16	6	197739	24	12	197833	40	1	425-34733	28	18

NUMERICAL INDEX

Part No.	Page No.	Ref. No.	Part No.	Page No.	Ref. No.	Part No.	Page No.	Ref. No.	Part No.	Page No.	Ref. No.
425-34733	28	27	425-34776	10	33	425-35273	34	73			
425-34736	34	63	425-34776	12	66	425-35343	38	19			
425-34740	4	14	425-34776	48	14	425-35452	40	27			
425-34740	8	50	425-34776	50	14	425-35772	20	23			
425-34740	12	54	425-34779	8	10	425-35916	44	29			
425-34741	4	34	425-34779	10	14	425-35959	32	25			
425-34742	4	35	425-34780	14	4	425-35959	34	28			
425-34744	42	27	425-34780	16	9	425-35959	48	30			
425-34745	4	15	425-34783	2	10	425-35959	50	36			
425-34745	8	68	425-34791	8	19	425-36085	26	16			
425-34745	12	67	425-34791	8	39	425-36085	54	1			
425-34745	48	7	425-34791	8	43	425-36113	32	11			
425-34745	50	7	425-34791	10	23	425-36113	34	11			
425-34745	50	7	425-34791	10	43	425-36113	48	27			
425-34746	4	11	425-34791	12	47	425-36113	50	33			
425-34746	4	18	425-34796	8	26	425-36114	32	21			
425-34746	10	4	425-34796	10	30	425-36114	34	24			
425-34746	18	23	425-34796	48	13	425-36114	48	28			
425-34746	20	11	425-34796	50	13	425-36114	50	34			
425-34747	4	12	425-34800	14	6	425-36120	6	8			
425-34747	4	19	425-34800	16	11	425-36121	6	9			
425-34747	14	5	425-34810	22	7	425-36128	18	3			
425-34747	16	10	425-34810	24	6	425-36128	20	5			
425-34747	20	21	425-34813	22	13	425-36128	48	19			
425-34747	34	62	425-34825	26	1	425-36128	50	20			
425-34748	20	22	425-34825	28	14	425-36131	16	15			
425-34748	22	14	425-34825	30	15	425-36133	16	16			
425-34748	32	13	425-34827	26	4	425-36249	18	5			
425-34748	34	13	425-34827	28	17	425-36249	20	4			
425-34748	56	36	425-34827	30	16	425-36260	2	11			
425-34750	26	22	425-34827	48	25	425-36260	2	12			
425-34750	26	24	425-34827	50	29	425-36260	2	13			
425-34750	26	28	425-34837	50	31	425-36260	8	9			
425-34750	26	28-1	425-34837	54	9	425-36260	10	13			
425-34750	30	45	425-34851	32	33	425-36260	12	85			
425-34750	30	47	425-34851	34	35	425-36289	42	7			
425-34750	30	51	425-34854	34	72	425-36301	44	31			
425-34750	42	21	425-34903	40	5	425-36318	14	8			
425-34750	48	26	425-34905	40	10	425-36318	16	18			
425-34750	50	30	425-34906	40	11	425-36318	48	18			
425-34750	50	30	425-34916	42	5	425-36318	50	19			
425-34750	54	6	425-34916	42	9	425-36319	32	28			
425-34750	54	8	425-34924	42	24	425-36319	34	31			
425-34750	54	16	425-34927	42	28	425-36319	48	31			
425-34750	54	18	425-34935	38	24	425-36319	50	37			
425-34750	54	22	425-35026	56	35						
425-34750	54	22-1	425-35164	54	28						
425-34756	6	4	425-35165	32	12						
425-34760	42	3	425-35165	34	12						
425-34761	20	20	425-35174	38	25						
425-34761	34	62	425-35188	8	14						
425-34765	38	28	425-35188	10	18						
425-34766	30	31	425-35189	8	22						
425-34772	12	76	425-35189	10	26						
425-34775	8	66	425-35191	8	16						
425-34775	12	65	425-35191	10	20						
425-34776	8	29	425-35191	48	11						
425-34776	8	67	425-35191	50	11						

TORQUE SPECIFICATIONS

Use these torque values when tightening hardware (excluding locknuts, and self-tapping, thread-forming, and sheet metal screws) unless otherwise specified.

UNIFIED NATIONAL THREAD	GRADE 2		GRADE 5		GRADE 8	
	DRY	LUBED	DRY	LUBED	DRY	LUBED
8-32	19*	14*	30*	22*	41*	31*
8-36	20*	15*	31*	23*	43*	32*
10-24	27*	21*	43*	32*	60*	45*
10-32	31*	23*	49*	36*	68*	51*
1/4-20	66*	50*	9	75*	12	9
1/4-28	76*	56*	10	86*	14	10
5/16-18	11	9	17	13	25	18
5/16-24	12	9	19	14	25	20
3/8-16	20	15	30	23	45	35
3/8-24	23	17	35	25	50	35
7/16-14	32	24	50	35	70	55
7/16-20	36	27	55	40	80	60
1/2-13	50	35	75	55	110	80
1/2-20	55	40	90	65	120	90
9/16-12	70	55	110	80	150	110
9/16-18	80	60	120	90	170	130
5/8-11	100	75	150	110	220	170
5/8-18	110	85	180	130	240	180
3/4-10	175	130	260	200	380	280
3/4-16	200	150	300	220	420	320
7/8-9	170	125	430	320	600	460
7/8-14	180	140	470	360	660	500
1-8	250	190	640	480	900	680
1-12	270	210	710	530	1000	740
METRIC COARSE THREAD	GRADE 8.8		GRADE 10.9		GRADE 12.9	
	DRY	LUBED	DRY	LUBED	DRY	LUBED
M6-1	8	6	11	8	13.5	10
M8-1.25	19	14	27	20	32.5	24
M10-1.5	37.5	28	53	39	64	47
M12-1.75	65	48	91.5	67.5	111.5	82
M14-2	103.5	76.5	145.5	108	176.5	131
M16-2	158.5	117.5	223.5	165.5	271	200

*All torque values are in ft-lbs except those marked with an * which are in lbs.

For metric torque value (N·m) multiply ft-lbs value by 1.355 or the in-lbs value by 0.113.

GEHL®

Gehl Company 143 Water Street, P.O. Box 179, West Bend, WI 53095-0179 USA
www.gehl.com