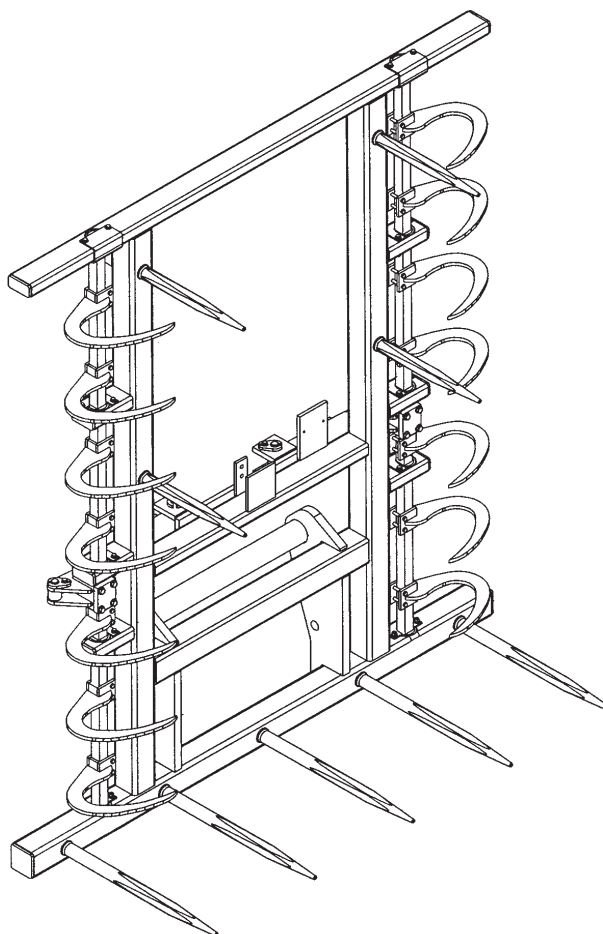


# GEHL®

## SPECIALTY ATTACHMENT MANUAL FOR CT-SERIES TELESCOPIC HANDLERS

### OPERATOR'S & PARTS MANUAL



MODEL NUMBER: \_\_\_\_\_

Manual Number: 76267

SERIAL NUMBER: \_\_\_\_\_

Revision: 5

MANUFACTURED BY PALADIN BRANDS FOR GEHL  
143 Water Street  
West Bend, WI 53095

Printed in U.S.A.

M-955 11-14-07-5



# TABLE OF CONTENTS

|   |       |
|---|-------|
| To The Owner .....  | 3     |
| Limited Warranty .....  | 5     |
| Safety Statements .....   | 7     |
| General Safety Precautions.....   | 7-9   |
| Equipment Safety Precautions .....  | 10    |
| Installation & Operation .....  | 11    |
| Maintenance & Service.....  | 12-13 |
| 96" Bunker Buster II Assembly #820155 - Exploded View and Parts List .....          | 14-17 |
| Double Square Bale Carriage Assembly #820153 - Exploded View and Parts List .....   | 18-19 |
| Bale Spike - Round Bales Assembly #820152 - Exploded View and Parts List .....      | 20-21 |
| Bale Spike - Round Bales Assembly #820326 - Exploded View and Parts List .....      | 22-23 |
| Bale Grab - Square Bales Assembly #820154 - Exploded View and Parts List .....      | 24-27 |
| Hay Grapple Bucket Assembly #820257 - Exploded View and Parts List.....             | 28-29 |
| 78" Scrap Grapple Bucket Assembly #820253 - Exploded View and Parts List.....       | 30-31 |
| 78" Bolt-On Cutting Edge Assembly #820330 - Exploded View and Parts List.....       | 32-33 |
| 84" Scrap Grapple Bucket Assembly #820327 - Exploded View and Parts List.....       | 34-35 |
| 84" Bolt-On Cutting Edge Assembly #820328 - Exploded View and Parts List .....      | 36-37 |
| 96" Scrap Grapple Bucket Assembly #820329 - Exploded View and Parts List.....       | 38-39 |
| 96" Bolt-On Cutting Edge Assembly #820259 - Exploded View and Parts List.....       | 40-41 |
| Universal Quick Attach Adapter Assembly #820260 - Exploded View and Parts List..... | 42-43 |
| Cylinder Assembly #33524 - Exploded View and Parts List.....                        | 44-45 |
| Cylinder Assembly #88928 - Exploded View and Parts List.....                        | 46-47 |
| Cylinder Assembly #102273 - Exploded View and Parts List.....                       | 48-49 |



## GENERAL INFORMATION

Congratulations on the purchase of your new attachment. Your attachment was carefully designed and manufactured to give you many years of dependable service. Be sure to observe all safety precautions in this manual and in the equipment operator's manual. Always check load charts before operating.

## ABOUT THIS MANUAL

Read this manual before using your attachment. This manual has been designed to help you do a better and safer job. Remember, never let anyone operate this equipment without reading the "Safety Precautions" and "Operating Instructions" in the equipment manuals. All operators should be fully trained and judged to be competent by an experienced, qualified person who has full knowledge of the "Safety Precautions" and "Operating Instructions."

## SERVICE

When servicing your attachment, remember to use only original manufacturer's replacement parts. Substitute parts may not meet the standards required for safe, dependable operation.

To facilitate parts ordering, record the model and serial number of your attachment in the space provided on the front of this manual. This information may be obtained from the identification plate located on the left side of the attachment.

Your parts department needs this information to ensure that you receive the correct parts for your specific attachment. When calling the Gehl Parts Department, please specify that these are parts for a Paladin attachment.

For price and availability, contact:  
Gehl Parts Department  
Tel (262) 334-6653, Option #1



## **Limited Warranty**

The manufacturer warrants all new products to be free from defects in material and/or workmanship for a period of twelve (12) months. Under no circumstances will it cover any merchandise or components thereof, which, in the opinion of the manufacturer, have been subject to misuse, unauthorized applications, modifications, alteration, an accident or if repairs have been made with parts other than those obtainable through the manufacturer.

In the event of failure within the warranty period from initial retail sale, first lease or rental date (excluding cable, ground engaging parts such as sprockets, digging chain, bearings, teeth, tamping and demolition heads, blade cutting edges, pilot bits, auger teeth, auger heads, and broom brushes). If after examination, the manufacturer determines failure was due to defective material and/or workmanship, part(s) will be repaired or replaced. The manufacturer may request defective part(s) be returned prepaid to them for inspection at their place of business at Delhi, Iowa, or to a location specified by them.

## **Limitations on Responsibility**

**THIS WARRANTY IS IN LIEU OF ALL OTHER WARRANTIES, EXPRESSED OR IMPLIED AND THERE ARE NO WARRANTIES OF MERCHANTABILITY OR OF FITNESS FOR A PARTICULAR PURPOSE . IN NO EVENT SHALL THE MANUFACTURER BE LIABLE FOR CONSEQUENTIAL OR SPECIAL DAMAGE.**

**THE MANUFACTURER'S LIABILITY FOR ANY AND ALL LOSSES AND DAMAGES TO BUYER, RESULTING FROM ANY CAUSE WHATSOEVER, INCLUDING THE MANUFACTURER'S NEGLIGENCE, IRRESPECTIVE OF WHETHER SUCH DEFECTS ARE DISCOVERABLE OR LATENT, SHALL IN NO EVENT EXCEED THE PURCHASE PRICE OF THE PARTICULAR PRODUCTS WITH RESPECT TO WHICH LOSSES OR DAMAGES ARE CLAIMED, OR, AT THE ELECTION OF THE MANUFACTURER, THE REPAIR OR REPLACEMENT OF DEFECTIVE OR DAMAGED PRODUCTS.**



# SAFETY STATEMENTS



THIS SYMBOL BY ITSELF OR WITH A WARNING WORD THROUGHOUT THIS MANUAL IS USED TO CALL YOUR ATTENTION TO INSTRUCTIONS INVOLVING YOUR PERSONAL SAFETY OR THE SAFETY OF OTHERS. FAILURE TO FOLLOW THESE INSTRUCTIONS CAN RESULT IN INJURY OR DEATH.



## DANGER

THIS SIGNAL WORD IS USED WHERE SERIOUS INJURY OR DEATH WILL RESULT IF THE INSTRUCTIONS ARE NOT FOLLOWED PROPERLY.



## WARNING

THIS SIGNAL WORD IS USED WHERE SERIOUS INJURY OR DEATH COULD RESULT IF THE INSTRUCTIONS ARE NOT FOLLOWED PROPERLY.



## CAUTION

THIS SIGNAL WORD IS USED WHERE MINOR INJURY COULD RESULT IF THE INSTRUCTIONS ARE NOT FOLLOWED PROPERLY.

## NOTICE

NOTICE INDICATES A PROPERTY DAMAGE MESSAGE.

## GENERAL SAFETY PRECAUTIONS

### WARNING!



### READ MANUAL PRIOR TO INSTALLATION

Improper installation, operation, or maintenance of this equipment could result in serious injury or death. Operators and maintenance personnel should read this manual, as well as all manuals related to this equipment and the telescopic handler thoroughly before beginning installation, operation, or maintenance. **FOLLOW ALL SAFETY INSTRUCTIONS IN THIS MANUAL AND THE TELESCOPIC HANDLER'S MANUAL(S).**



### READ AND UNDERSTAND ALL SAFETY STATEMENTS

Read all safety decals and safety statements in all manuals prior to operating or working on this equipment. Know and obey all OSHA regulations, local laws, and other professional guidelines for your operation. Know and follow good work practices when assembling, maintaining, repairing, mounting, removing, or operating this equipment.



### KNOW YOUR EQUIPMENT

Know your equipment's capabilities, dimensions, and operations before operating. Visually inspect your equipment before you start, and never operate equipment that is not in proper working order with all safety devices intact. Check all hardware to ensure it is tight. Make certain that all locking pins, latches, and connection devices are properly installed and secured. Remove and replace any damaged, fatigued, or excessively worn parts. Make certain all safety decals are in place and are legible. Keep decals clean, and replace them if they become worn or hard to read.

M-909 7-28-05

# GENERAL SAFETY PRECAUTIONS - CONTINUED

## WARNING!



### PROTECT AGAINST FLYING DEBRIS

Always wear proper safety glasses, goggles, or a face shield when driving pins in or out, or when any operation causes dust, flying debris, or any other hazardous material.

## WARNING!



### LOWER OR SUPPORT RAISED EQUIPMENT

Do not work under raised booms without supporting them. Do not use support material made of concrete blocks, logs, buckets, barrels, or any other material that could suddenly collapse or shift positions. Make sure support material is solid, not decayed, warped, twisted, or tapered. Lower boom to ground level or on blocks. Lower boom and attachments to the ground before leaving the cab or operator's station.

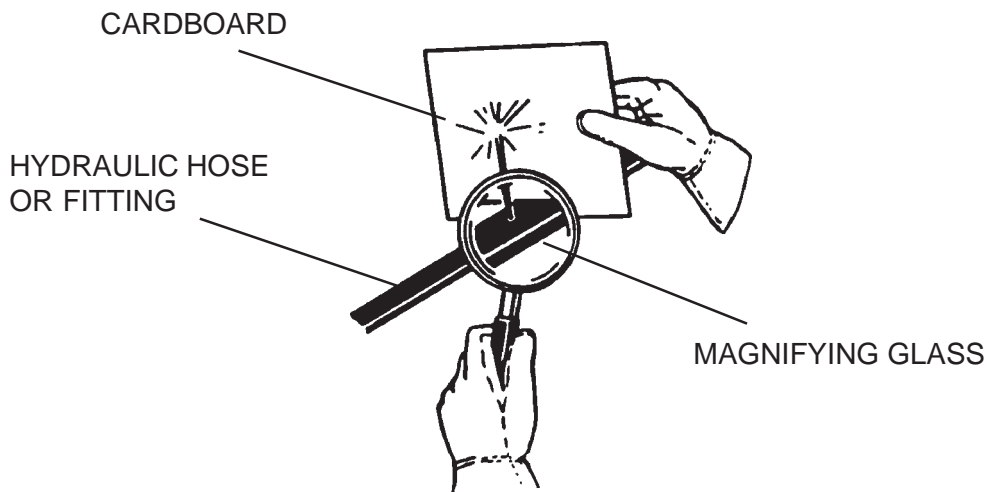
## WARNING!



### USE CARE WITH HYDRAULIC FLUID PRESSURE

Hydraulic fluid under pressure can penetrate the skin and cause serious injury or death. Hydraulic leaks under pressure may not be visible. Before connecting or disconnecting hydraulic hoses, read your prime mover's operator's manual for detailed instructions on connecting and disconnecting hydraulic hoses and fittings.

- Keep unprotected body parts, such as face, eyes, and arms as far away as possible from a suspected leak. Flesh injected with hydraulic fluid may develop gangrene or other permanent disabilities.
- If injured by injected fluid, see a doctor at once. If your doctor is not familiar with this type of injury, ask him to research it immediately to determine proper treatment.
- Wear safety glasses, protective clothing, and use a piece of cardboard or wood when searching for hydraulic leaks. **DO NOT USE YOUR HANDS! SEE ILLUSTRATION.**



# GENERAL SAFETY PRECAUTIONS - CONTINUED

## WARNING!



### DO NOT MODIFY MACHINE OR ATTACHMENTS

Modifications may weaken the integrity of the attachment and may impair the function, safety, life, and performance of the attachment. When making repairs, use only the manufacturer's genuine parts, following authorized instructions. Other parts may be substandard in fit and quality. Never modify any ROPS (Roll-Over Protection Structure) or FOPS (Falling Object Protective Structure) equipment or device. Any modifications must be authorized in writing by the manufacturer.

## WARNING!



### SAFELY MAINTAIN AND REPAIR EQUIPMENT

- Do not wear loose clothing or any accessories that can catch in moving parts. If you have long hair, cover or secure it so that it does not become entangled in the equipment.
- Work on a level surface in a well-lit area.
- Use properly grounded electrical outlets and tools.
- Use the correct tools for the job at hand. Make sure they are in good condition for the task required.
- Wear the protective equipment specified by the tool manufacturer.



### SAFELY OPERATE EQUIPMENT

Do not operate equipment until you are completely trained by a qualified operator in how to use the controls, know its capabilities, dimensions, and all safety requirements. See your machine's manual for these instructions.

- Keep all step plates, grab bars, pedals, and controls free of dirt, grease, debris, and oil.
- Never allow anyone to be around the equipment when it is operating.
- Do not allow riders on the attachment or the telescopic handler.
- Do not operate the equipment from anywhere other than the correct operator's position.
- Never leave equipment unattended with the engine running, or with the attachment in a raised position.
- Do not alter or remove any safety feature from the telescopic handler or the attachment.
- Know your work site safety rules as well as traffic rules and flow. When in doubt on any safety issue, contact your supervisor or safety coordinator for an explanation.

# EQUIPMENT SAFETY PRECAUTIONS

## WARNING!



### KNOW WHERE UTILITIES ARE

Observe overhead electrical and other utility lines. Be sure equipment will clear them. When digging, call your local utilities for location of buried utility lines, gas, water, and sewer, as well as any other hazard you may encounter.



### OPERATING THE PRIME MOVER

Avoid steep hillside operation, which could cause the prime mover to overturn. Consult your prime mover operator's and safety manuals for maximum incline allowable. Extreme caution should be used when working along the top of banks or slopes. Keep away from the edge.

When operating on a slope, keep the load low, and proceed with extreme caution. Do not drive ACROSS a steep slope - drive straight up and down.

With a LOADED bucket - face the bucket and load uphill. With an EMPTY bucket - face the bucket downhill.



### BALE SPIKE & LARGE BALE CARRIAGE OPERATION

- **BE CAREFUL WHEN HANDLING LOOSE OBJECTS.** When you have bales stacked, the top bale can fall off if you make a sharp turn, sudden stop, or roll the carriage too far back.
- **NEVER STACK LOADS ON UNEVEN GROUND.** Loads stacked on uneven ground can topple.
- **ALWAYS SPEAR BALES (ROUND OR SQUARE) WITH A SLIGHT DOWNWARD MOTION.** Spearling bales with a 5° angle on the spike will allow the bale to be dropped off the spike easier.
- **SPEAR BALES 1/4 TO 1/2 THE WAY UP FROM THE BOTTOM EDGE OF BALE.**
- Be careful when handling loose objects. Lifting too high or rolling the attachment too far back could result in these objects sliding backward down the arms onto the operator compartment.



### HAY BALE GRAB, HAY GRAPPLE & SCRAP GRAPPLE BUCKET OPERATION

- **BE CAREFUL WHEN HANDLING LOOSE OBJECTS.** Lifting too high or rolling boom too far back could result in these objects sliding backward down the arms onto the operator compartment.
- **NEVER STACK LOADS ON UNEVEN GROUND.** Loads stacked on uneven ground can topple.



### SILAGE DEFACER OPERATION

- **CLEAR THE WORK AREA OF ALL BYSTANDERS BEFORE OPERATION.**
- **OPERATE ONLY FROM THE OPERATOR'S STATION.**

M-957 5-10-06-3

# INSTALLATION AND OPERATION

## ATTACHING AND DETACHING EQUIPMENT

Please see your vehicle operator's manual for instructions on attaching and detaching your equipment.

## OPERATING EQUIPMENT

Read all Safety Precautions before operating your new attachment. If you have not been supplied with a load chart for your attachment, order one from your dealer, and place it inside the operating machine for safe lift capacity limits.

Refer to your machine operator's manual for attachment operation.

## SPECIAL OPERATING CONSIDERATIONS

### BALE SPIKE

Do not stack bales on uneven ground. Bales stacked on uneven ground can topple.

Always spear bales (round or square) with a slightly downward motion. Spearing bales with a 5° angle on the spike, and lowering the boom as the spear is entering the bale will allow the bale to be dropped off the spike easier.

### BALE CARRIAGE

Do not stack bales on uneven ground. Bales stacked on uneven ground can topple.

Always spear bales (round or square) with a slightly downward motion 1/4 to 1/2 of the way up from the bottom edge of the bale. Spearing bales with a 5° angle on the spike, and lowering the boom as the spear is entering the bale will allow the bale to be dropped off the spike easier.

Be careful when handling loose objects. When you have bales stacked, the top bale can fall off if you make a sharp turn, sudden stop or roll the carriage too far back.

### HAY BALE GRAB, HAY GRAPPLE & SCRAP GRAPPLE BUCKETS

Be careful when handling loose objects, lifting too high or rolling the attachment too far back.

### SILAGE DEFACER

Clear the work area of all bystanders before operation.

### Q-FIT FRAME BRACKET

When using the Q-fit bracket on any attachment always check locking pins before operation. Do not exceed specified lift capacities. **NOTE:** Be sure to read and understand the operator's manuals and follow all safety precautions and warnings on the attachment.

### UNIVERSAL QUICK ATTACH

When attaching any attachment to the universal quick attach, always check locking pins before operation. Do not exceed specified lift capacities.

**NOTE:** Be sure to read all operator's manuals and follow all safety precautions and warnings on any attachment mounted onto the universal quick attach.

# MAINTENANCE & SERVICE

## GENERAL INFORMATION

Regular maintenance is the key to long equipment life and safe operation. Maintenance requirements have been kept to an absolute minimum. However, it is very important that these maintenance functions be performed as described in this section.

## DAILY

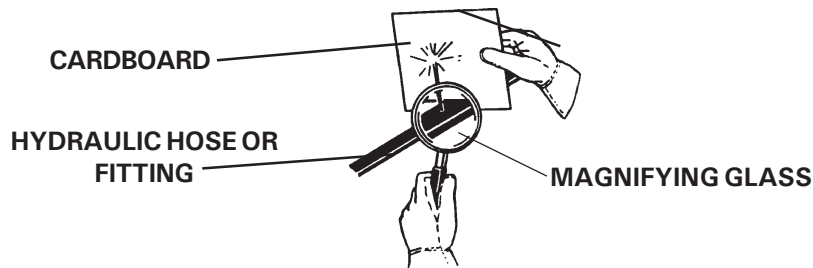
- Check all bolts and nuts for tightness.
- Replace any missing bolts or nuts with approved replacement parts.
- Check hydraulic system for hydraulic oil leaks. See procedure below.
- Visually inspect the machine for worn parts or cracked welds, and repair as necessary.

**WARNING!** Escaping fluid under pressure can have sufficient force to penetrate the skin, causing serious personal injury. Fluid escaping from a very small hole can be almost invisible. Use a piece of cardboard or wood, rather than hands to search for suspected leaks.



Keep unprotected body parts, such as face, eyes, and arms as far away as possible from a suspected leak. Flesh injected with hydraulic fluid may develop gangrene or other permanent disabilities.

If injured by injected fluid, see a doctor at once. If your doctor is not familiar with this type of injury, ask him or her to research it immediately to determine proper treatment.



**IMPORTANT:** When replacing parts, use only factory approved replacement parts. Manufacturer will not claim responsibility for use of unapproved parts or accessories and/or other damages as a result of their use.

## EVERY 40 HOURS

Lubrication is an important part of maintenance. It is recommended that all grease fittings be lubricated after the initial 8 hours of operation, and then after every 40 hours of use.

# MAINTENANCE & SERVICE

## MONTHLY

- Clean equipment of all dirt, oil, grease, etc. This will assist you in making visual inspections and help avoid overlooking worn or damaged components.
- Keep all safety decals clean and legible. Replace, if damaged or worn.
- Inspect all hydraulic hoses for deterioration, and replace if necessary.
- Adjust and lubricate the drive chain on the silage defacer. (See Chain Adjustment.) To lubricate the drive chain, remove the top chain cover and spray a chain lubricant along the top of the upper and lower portion of the drive chain.

**WARNING!** Do not operate the silage defacer during any maintenance, or while the top chain cover is removed.



Adjust the shoe weldments on the silage defacer so material is removed, but the shoe is never less than 1/2" shorter than the blades.

## CHAIN ADJUSTMENT

We recommend adjusting the chain on the defacer after the initial 4 hours, and then monthly thereafter.

### To Adjust the Chain:

- 1 Remove the top chain cover and loosen the two bolts on the motor mounting plate and the one bolt on the cam lock.
- 2 Insert a 1/2" ratchet into the cam lock, and rotate until the chain is tight. A properly adjusted chain will have a minimal amount of chain deflection. Over-tensioning will cause premature wear.

**NOTE:** If all of the cam lock adjustment is used and the chain and sprocket are still serviceable, you can remove a "half link" from the chain at the master link location.

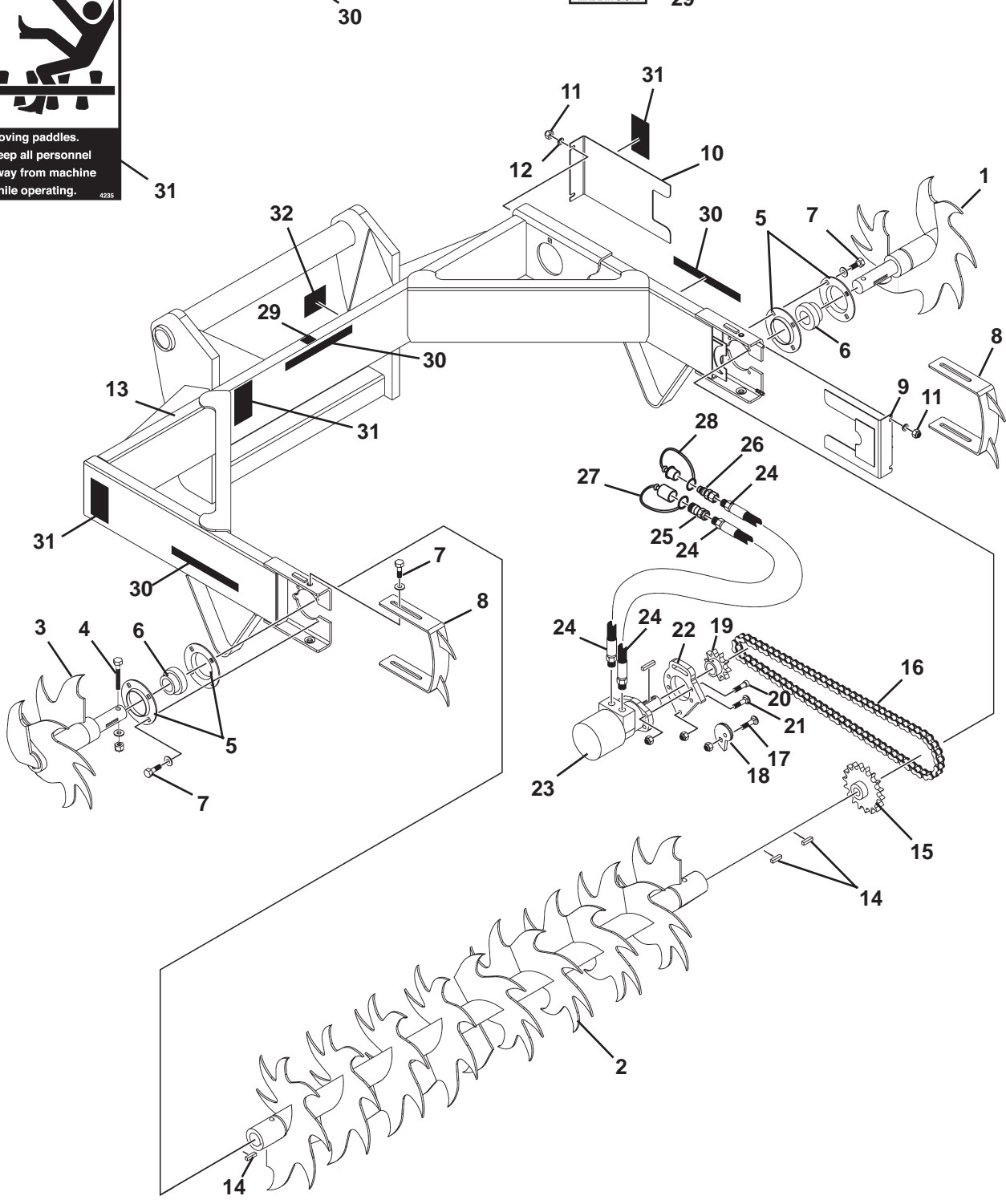
96" BUNKER BUSTER II  
ASSEMBLY #820155



**⚠ DANGER**

Moving paddles.  
Keep all personnel  
away from machine  
while operating.

**DANGER STAND CLEAR**



M-949 11-14-07-4

**96" BUNKER BUSTER II  
ASSEMBLY #820155**

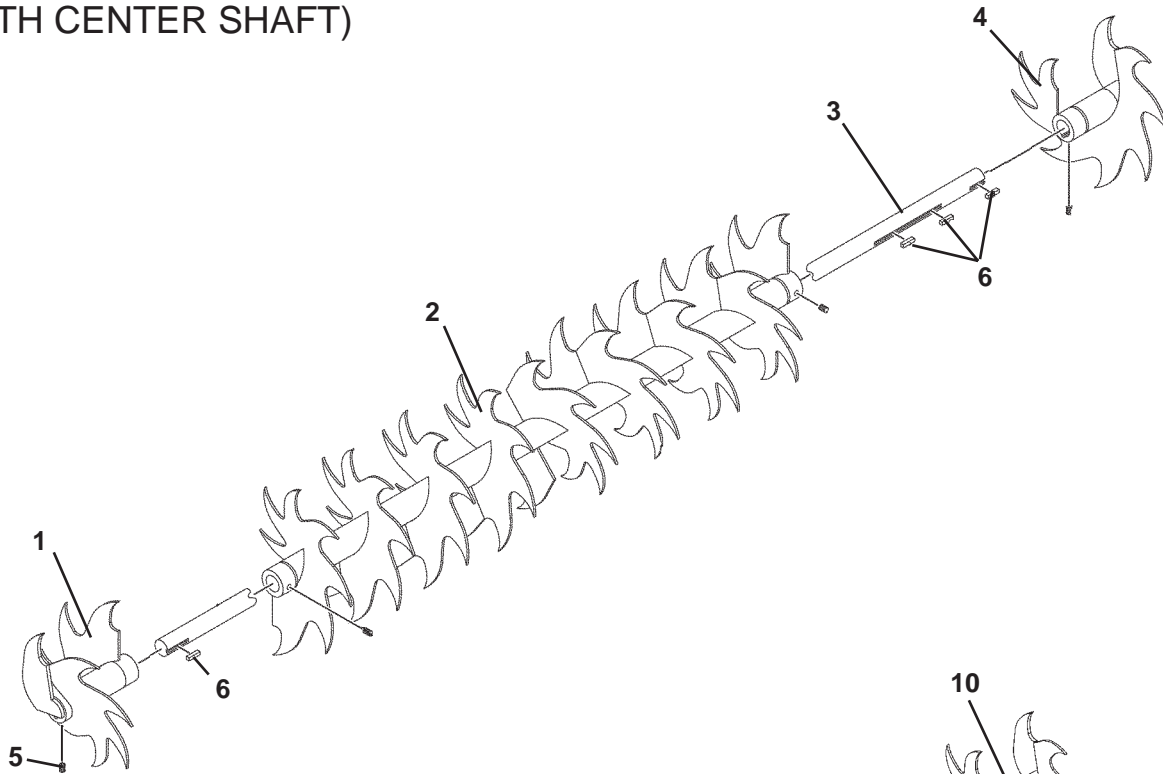


| ITEM | PALADIN PART NUMBER | QTY | DESCRIPTION   |
|------|---------------------|-----|---|
|      | 12832               | 1   | Bunker Buster Assembly, Includes Items 1 thru 32                                |
| 1    | *                   | *   | Left Cutter   |
| 2    | *                   | *   | Center Cutter   |
| 3    | *                   | *   | Right Cutter  |
| 4    | *                   | *   | .38" UNC x 3.00" Hex Capscrew   |
|      | *                   | *   | .50" Flat Washer  |
|      | *                   | *   | .38" UNC Deformed Lock Nut  |
| 5    | 89129               | 2   | Flangette Set   |
|      | 6616                | -   | Replacement Grease Fitting  |
| 6    | 89127               | 2   | Ball Bearing With Collar  |
|      | 1624                | -   | Replacement Set Screw   |
| 7    | 1088                | 12  | .50" UNC X 1.00" Hex Capscrew   |
|      | 1646                | 12  | .50" Hard Flat Washer   |
| 8    | 33427               | 2   | Shoe  |
| 9    | 15751               | 1   | Bottom Chain Cover  |
| 10   | 32849               | 1   | Top Chain Cover   |
| 11   | 1837                | 4   | .38" UNC Deformed Lock Nut  |
| 12   | 1514                | 4   | .38" Flat Washer  |
| 13   | 100341              | 1   | Frame   |
| 14   | *                   | *   | Key   |
| 15   | 32905               | 1   | 18 Tooth Sprocket   |
| 16   | 32906               | 1   | Drive Chain, No. 80, 73 Pitches   |
|      | 53298               | -   | Replacement Link, Master, No.80   |
| 17   | 1872                | 1   | .50" UNC X 1.50" Carriage Bolt  |
|      | 1790                | 1   | .50" UNC Serrated Flange Lock Nut   |
| 18   | 32848               | 1   | Cam Lock  |
| 19   | 33249               | 1   | 10 Tooth Sprocket   |
| 20   | 22336               | 4   | .50" UNC X 1.50" Socket Head Capscrew - GR 8                                    |
|      | 1228                | 4   | .50" UNC Hex Nut  |
| 21   | 1872                | 2   | .50" UNC X 1.50" Carriage Bolt  |
|      | 1790                | 2   | .50" UNC Serrated Flange Lock Nut   |
| 22   | 32847               | 1   | Motor Mounting Plate  |
| 23   | 33200               | 1   | Motor   |
|      | 5662                | -   | Replacement Key   |
| 24   | 38187               | 2   | Hose Assembly, .62" X 80" 10 MBo-8MBo   |
| 25   | 84928               | 1   | Female Coupler  |
| 26   | 84923               | 1   | Male Coupler  |
| 27   | 32548               | 1   | Female Coupler Cover  |
| 28   | 32549               | 1   | Male Coupler cover  |
| 29   | 4338                | 1   | Made in USA Decal   |
| 30   | 4105                | 3   | Danger, Stand Clear Decal   |
| 31   | 4235                | 3   | Danger Moving Paddles Decal   |
| 32   | ----                | 1   | Serial Number Identification Tag Location                                       |
|      |                     |     | * See Following Cutter Identification Pages to verify the Cutters on your unit. |

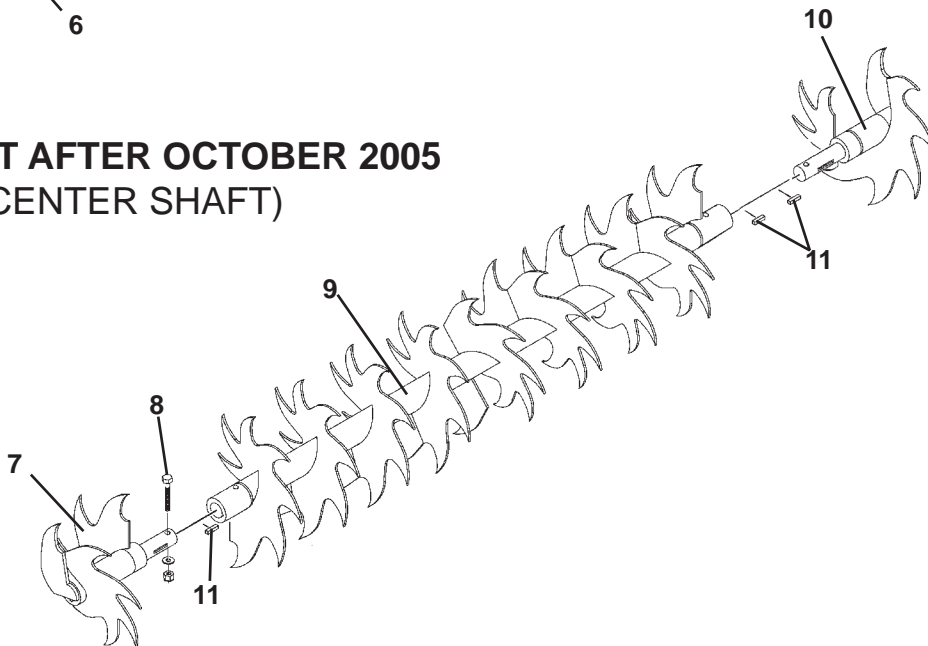
**NOTE:** Please specify that this is a Paladin attachment when contacting the Gehl Parts Department.

M-950 11-14-07-4

**UNITS BUILT BEFORE OCTOBER 2005  
(WITH CENTER SHAFT)**



**UNITS BUILT AFTER OCTOBER 2005  
(WITHOUT CENTER SHAFT)**



**96" BUNKER BUSTER II CUTTER IDENTIFICATION**

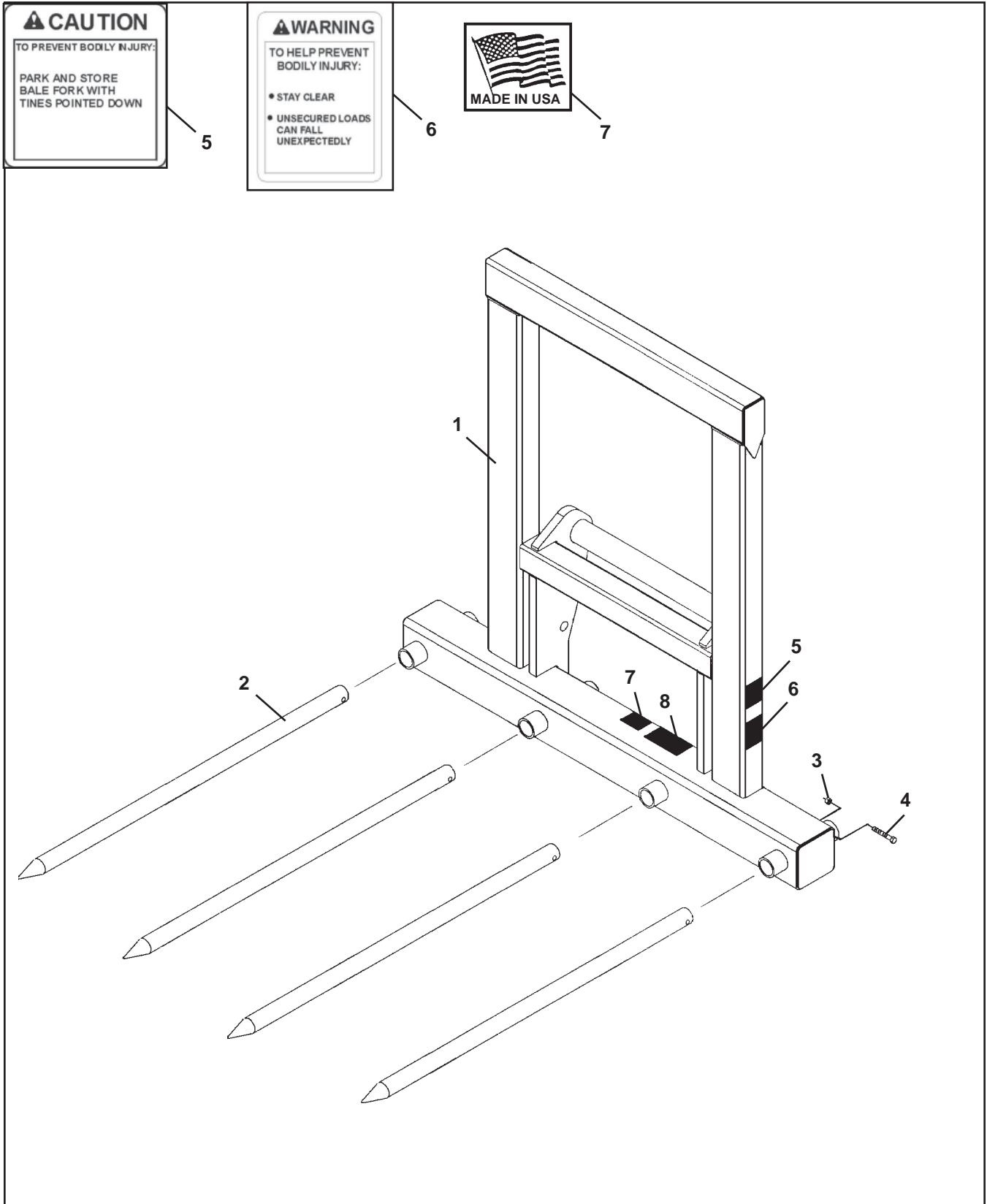


| ITEM | PALADIN<br>PART NUMBER | QTY | DESCRIPTION                   |
|------|------------------------|-----|-------------------------------|
| 1    | 15457                  | 1   | Right Cutter                  |
| 2    | 15459                  | 1   | Center Cutter                 |
| 3    | 15463                  | 1   | Center Shaft                  |
| 4    | 15458                  | 1   | Left Cutter                   |
| 5    | 1572                   | 6   | Set Screw                     |
| 6    | 32903                  | 3   | Key                           |
| 7    | 105449                 | 1   | Right Cutter                  |
| 8    | 1051                   | 2   | .38" UNC x 3.00" Hex Capscrew |
|      | 1527                   | 2   | .50" Flat Washer              |
|      | 1837                   | 2   | .38" UNC Deformed Lock Nut    |
| 9    | 105448                 | 1   | Center Cutter                 |
| 10   | 105447                 | 1   | Left Cutter                   |
| 11   | 105482                 | 3   | Key                           |

*NOTE:* Please specify that this is a Paladin attachment when contacting the Gehl Parts Department.

M-1731 11-14-07

# DOUBLE SQUARE BALE CARRIAGE ASSEMBLY #820153



M-951 10-29-07-2

**DOUBLE SQUARE BALE CARRIAGE  
ASSEMBLY #820153**



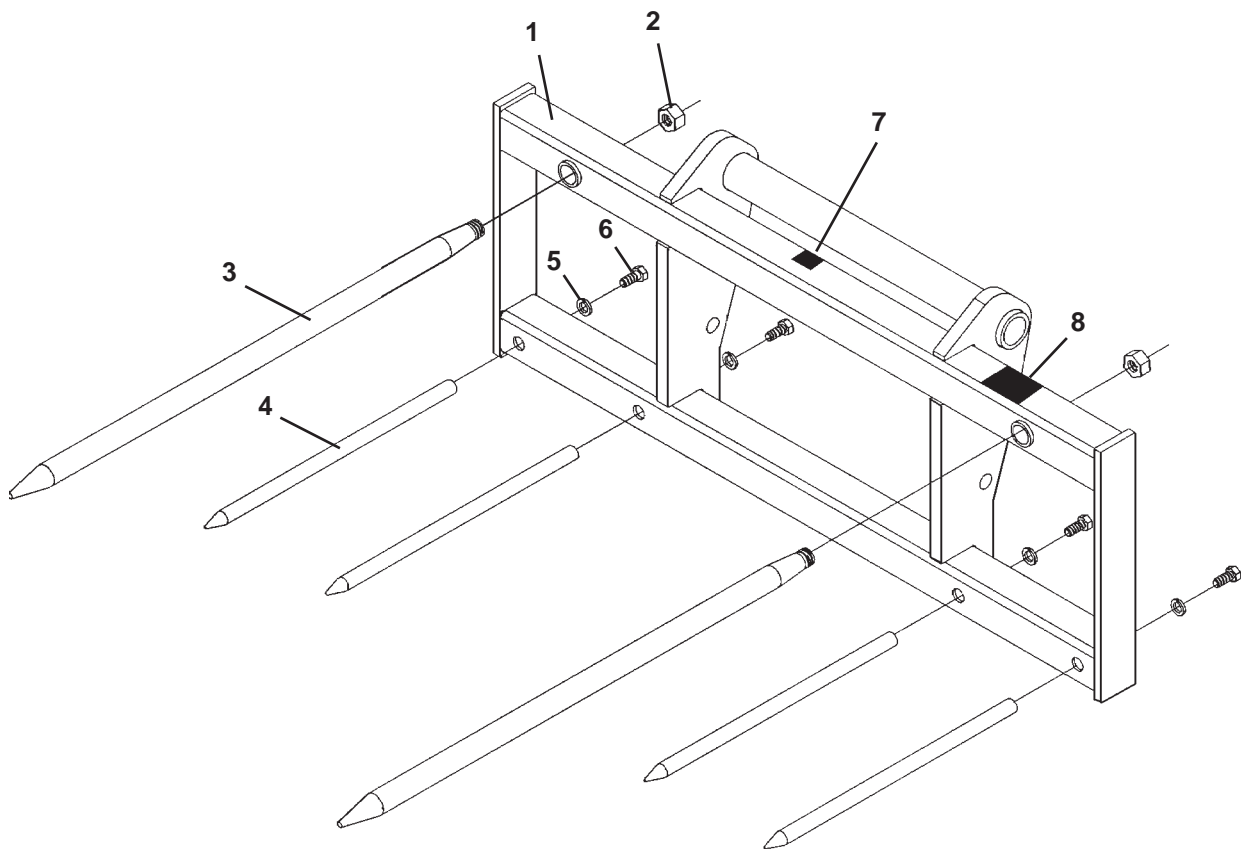
| ITEM | PALADIN<br>PART NUMBER | QTY | DESCRIPTION                               |
|------|------------------------|-----|---|
| 1    | 100305                 | 1   | Frame                                     |
| 2    | 31146                  | 4   | Bale Spike                                |
| 3    | 1841                   | 4   | .50" UNC Deformed Lock Nut                |
| 4    | 1098                   | 4   | .50" UNC x 3.50" Hex Capscrew             |
| 5    | 40527                  | 2   | Caution Decal                             |
| 6    | 40563                  | 2   | Warning Decal                             |
| 7    | 4338                   | 1   | Made in USA Decal                         |
| 8    | -----                  | 1   | Serial Number Identification Tag Location |

**NOTE:** Please specify that this is a Paladin attachment when contacting the Gehl Parts Department.

**BALE SPIKE  
ASSEMBLY #820152**



7



M-953 10-29-07-2

**BALE SPIKE  
ASSEMBLY #820152**



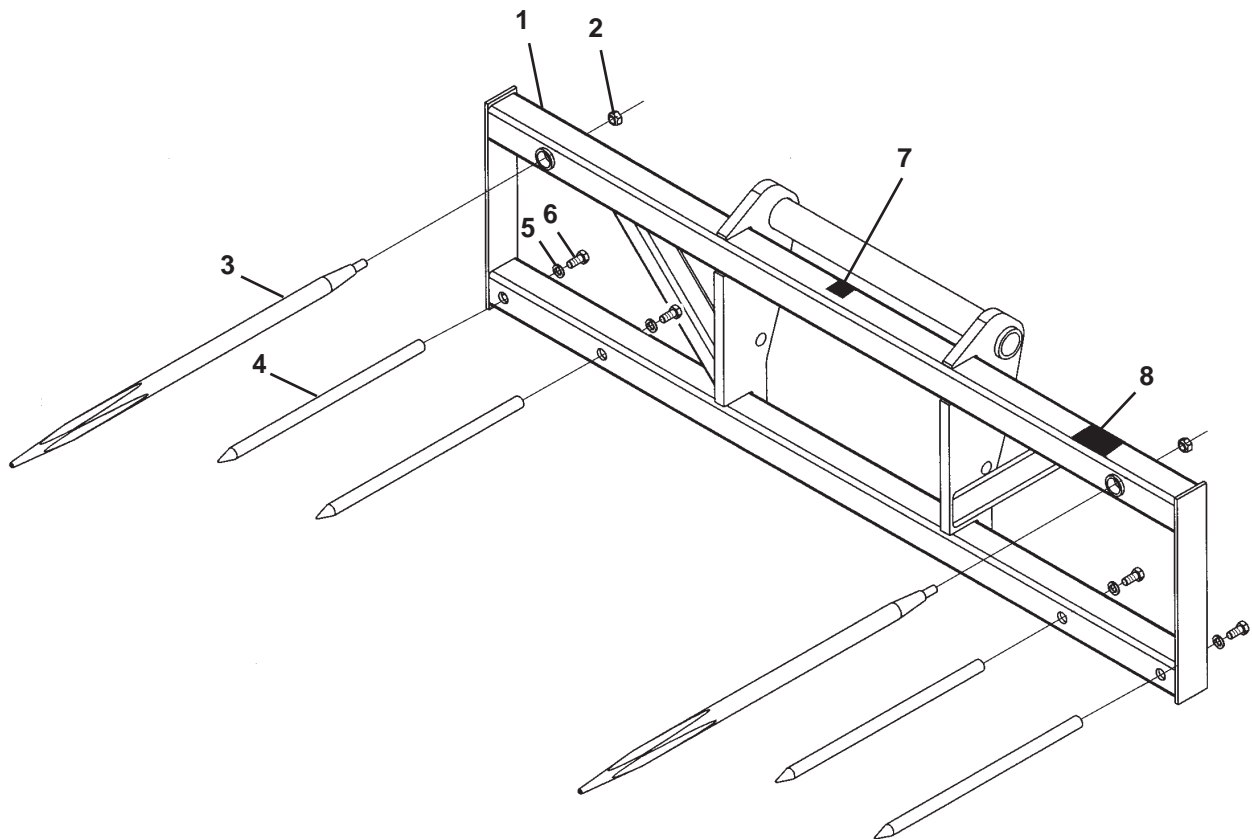
| ITEM | PALADIN<br>PART NUMBER | QTY | DESCRIPTION   |
|------|------------------------|-----|---|
| 1    | 17008                  | 1   | Frame   |
| 2    | 07-10148               | 2   | Hex Nut (Included with Item #3)<br>Torque to 475 ft. lbs. |
| 3    | 07-10141               | 2   | 49" Tine (Includes Nut - Item #2)                         |
| 4    | 31930                  | 4   | Bale Spike  |
| 5    | 1507                   | 4   | .75" Lock Washer  |
| 6    | 10011                  | 4   | .75" UNF x 1.50" Hex Capscrew - Grade 8                   |
| 7    | 4338                   | 1   | Made in USA Decal   |
| 8    | -----                  | 1   | Serial Number Identification Tag Location                 |

*NOTE:* Please specify that this is a Paladin attachment when contacting the Gehl Parts Department.

**BALE SPIKE  
ASSEMBLY #820326**



7



M-1343 10-29-07-2

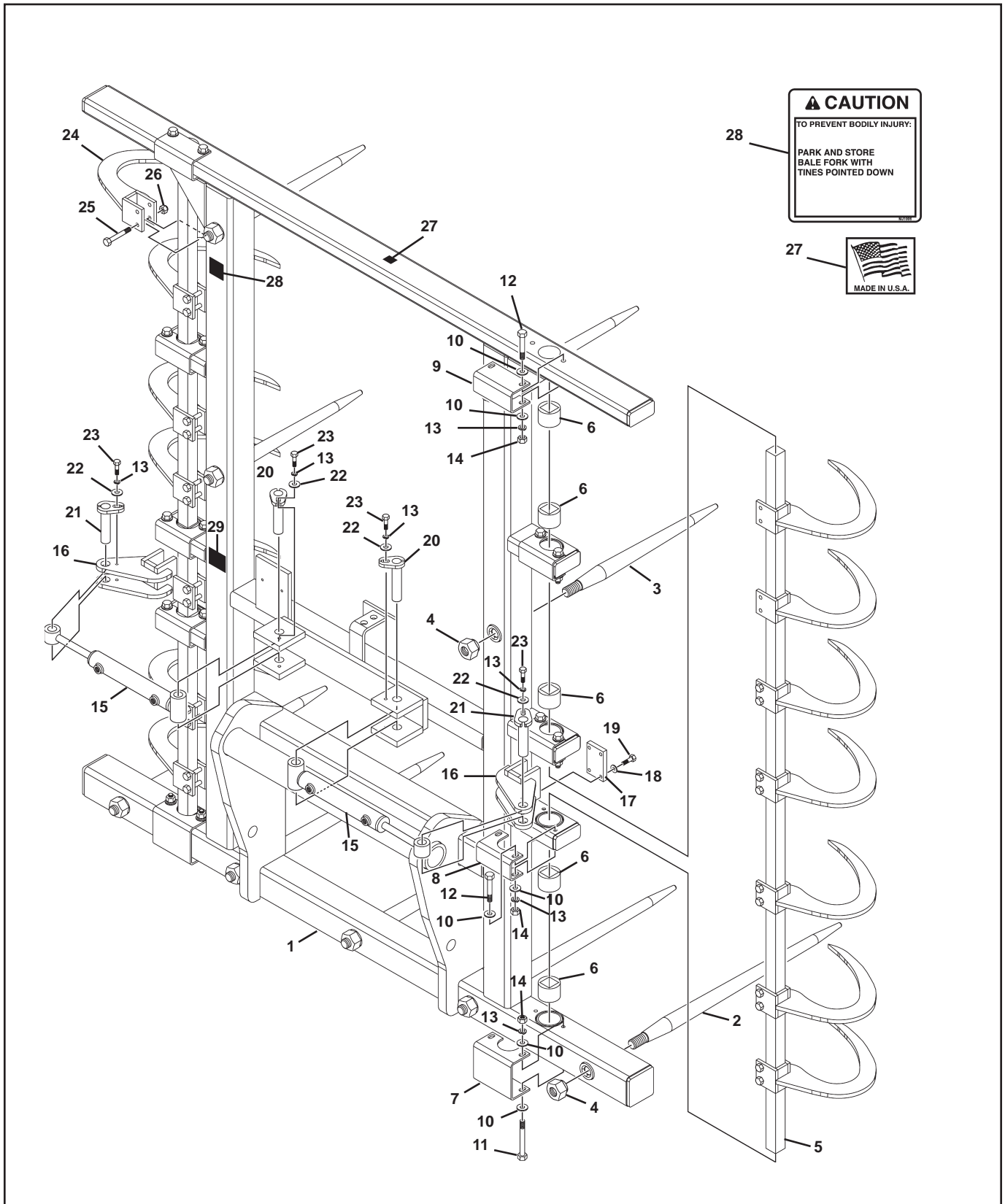
**BALE SPIKE  
ASSEMBLY #820326**



| ITEM | PALADIN<br>PART NUMBER | QTY | DESCRIPTION   |
|------|------------------------|-----|---|
| 1    | 106178                 | 1   | Frame   |
| 2    | 07-10148               | 2   | Hex Nut (Included with Item #3)<br>Torque to 475 ft. lbs. |
| 3    | 07-10141               | 2   | 49" Tine (Includes Nut - Item #2)                         |
| 4    | 31930                  | 4   | Bale Spike  |
| 5    | 1507                   | 4   | .75" Lock Washer  |
| 6    | 10011                  | 4   | .75" UNF x 1.50" Hex Capscrew - Grade 8                   |
| 7    | 4338                   | 1   | Made in USA Decal   |
| 8    | -----                  | 1   | Serial Number Identification Tag Location                 |

**NOTE:** Please specify that this is a Paladin attachment when contacting the Gehl Parts Department.

**BALE GRAB  
ASSEMBLY #820154**



**CAUTION**  
TO PREVENT BODILY INJURY:  
PARK AND STORE  
BALE FORK WITH  
TINES POINTED DOWN



M-960 10-29-07-2

**BALE GRAB  
ASSEMBLY #820154**

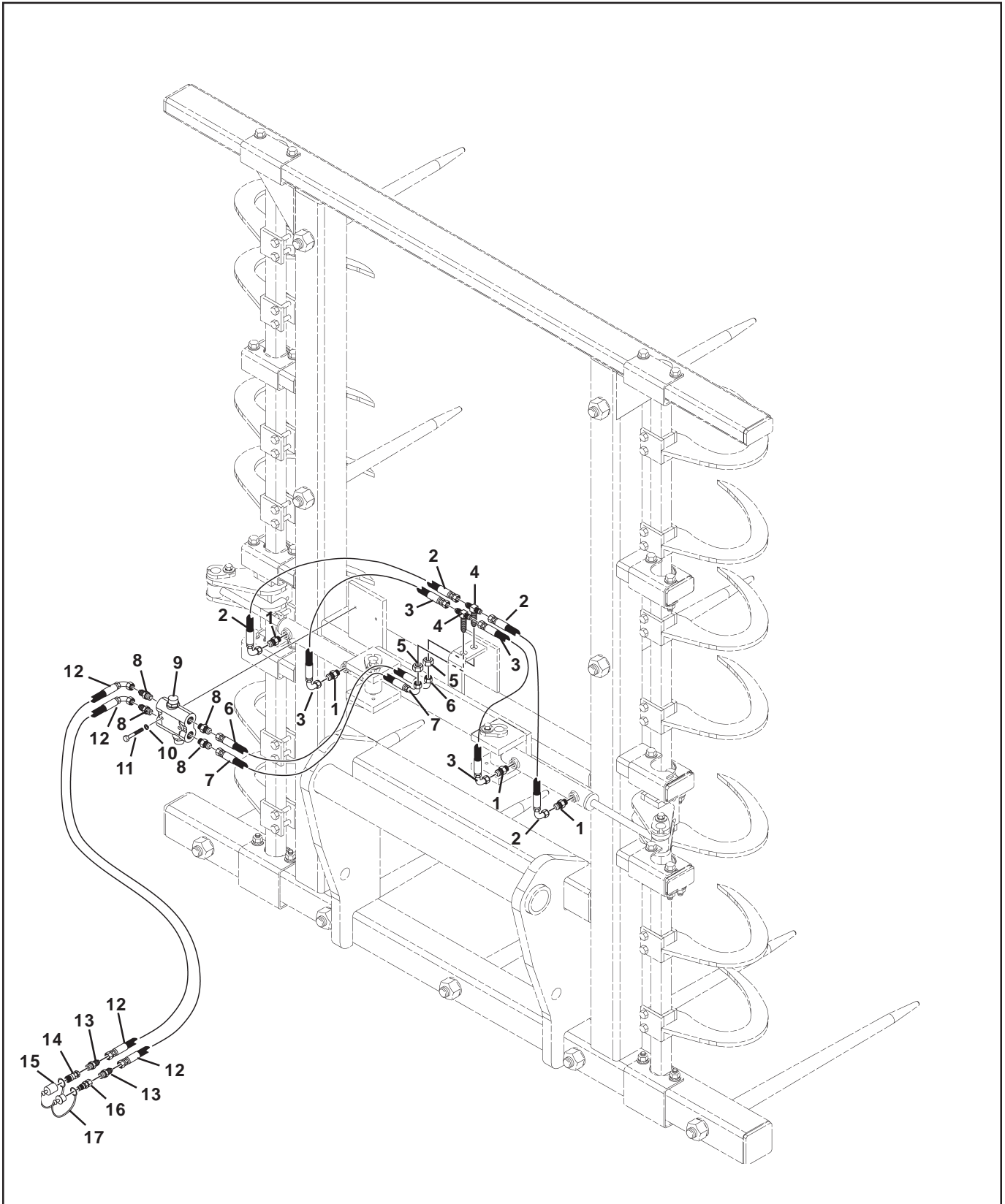


| ITEM | PALADIN<br>PART NUMBER | QTY | DESCRIPTION                                |
|------|------------------------|-----|--|
| 1    | 100306                 | 1   | Frame                                      |
| 2    | 14198                  | 5   | 32.00" Spike - Long Includes Item 4        |
| 3    | 14197                  | 4   | 23.50" Spike - Short Includes Item 4       |
| 4    | 14261                  | 9   | M20 Hex Nut                                |
| 5    | 15963                  | 2   | Mounting Bar                               |
| 6    | 14192                  | 12  | Bushing                                    |
| 7    | 14468                  | 2   | Bottom Retainer                            |
| 8    | 14467                  | 6   | Middle Retainer                            |
| 9    | 14473                  | 2   | Top Retainer                               |
| 10   | 1800                   | 40  | .38" Hard Flat Washer                      |
| 11   | 1057                   | 4   | .38" UNC X 5.00" Hex Capscrew              |
| 12   | 1051                   | 16  | .38" UNC X 3.00" Hex Capscrew              |
| 13   | 1503                   | 24  | .38" Lock Washer                           |
| 14   | 1226                   | 20  | .38" UNC Hex Nut                           |
| 15   | 88928                  | 2   | Cylinder Assembly, 2-1/2" Bore x 8" Stroke |
| 16   | 15905                  | 2   | Cylinder Pivot Clevis                      |
| 17   | 15890                  | 2   | Clevis Plate                               |
| 18   | 1646                   | 8   | .50" Hard Flat Washer                      |
| 19   | 1811                   | 8   | .50" UNC X 1.50" Hex Capscrew - Gr8        |
| 20   | 14070                  | 2   | Pivot Pin 1" x 4.72" Long                  |
| 21   | 14174                  | 2   | Pivot Pin 1" x 2.68" Long                  |
| 22   | 1514                   | 4   | .38" Flat Washer                           |
| 23   | 1293                   | 4   | .38" UNF X 1.00" Hex Capscrew              |
| 24   | 14229                  | 14  | Hay Grab Hook                              |
| 25   | 1050                   | 28  | .38" UNC X 2.75" Hex Capscrew              |
| 26   | 1837                   | 28  | .38" UNC Deformed Lock Nut                 |
| 27   | 4338                   | 1   | Made in USA Decal                          |
| 28   | 40527                  | 2   | Caution, Prevent Bodily Injury Decal       |
| 29   | -----                  | 1   | Serial Number, Identification Tag Location |

**NOTE:** Please specify that this is a Paladin attachment when contacting the Gehl Parts Department.

M-961 10-29-07-3

**BALE GRAB "HYDRAULIC"  
ASSEMBLY #820154**



M-962 7-27-05

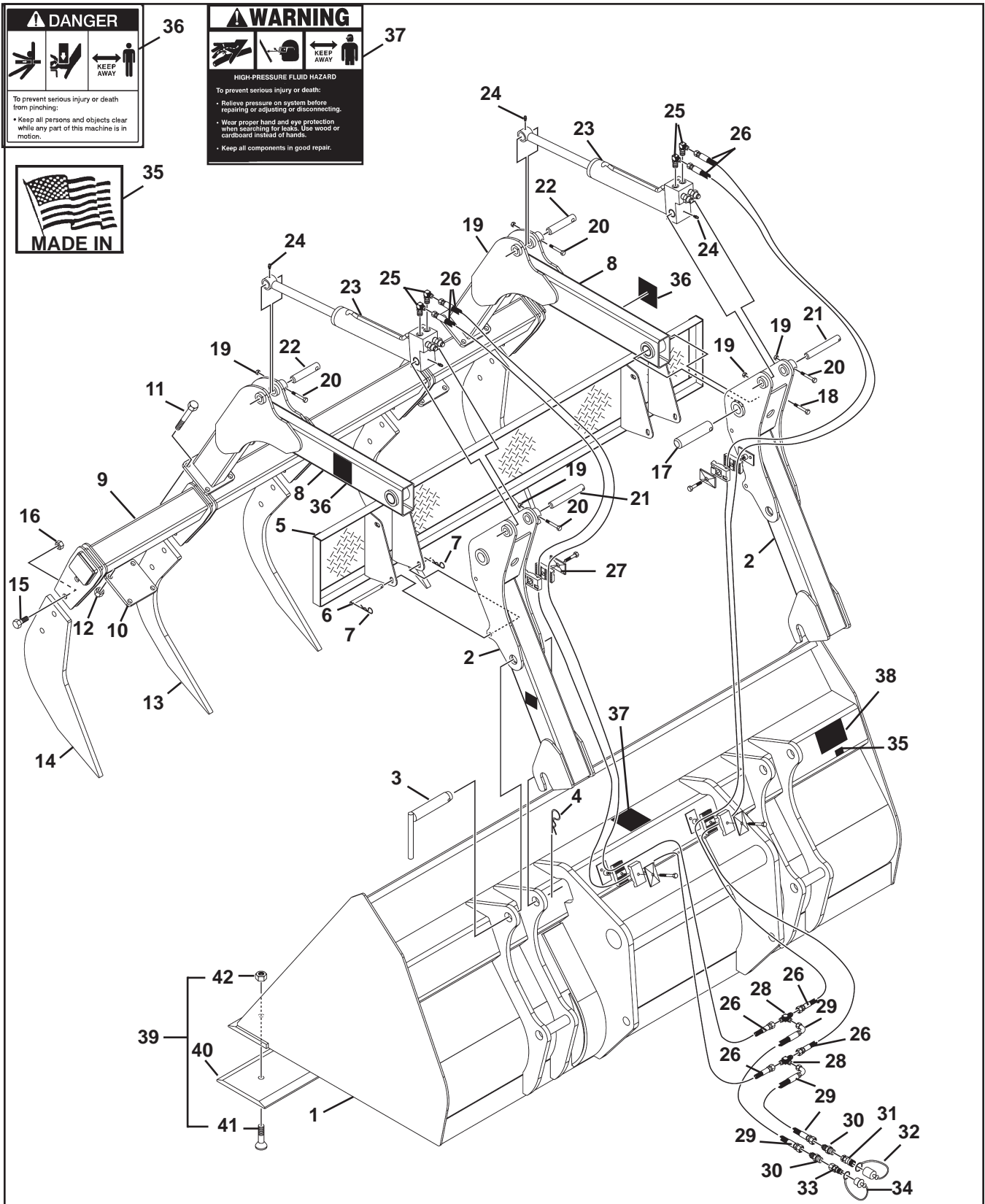
**BALE GRAB "HYDRAULICS"  
ASSEMBLY #820154**



| ITEM | PALADIN<br>PART NUMBER | QTY | DESCRIPTION                       |
|------|------------------------|-----|-----------------------------------|
| 1    | 30208                  | 4   | Straight Connector 6MORFS x 6MBo  |
| 2    | 37780                  | 2   | Hose .38" x 26.50" 6FFS-6FFS 90°  |
| 3    | 37779                  | 2   | Hose .38" x 19.50" 6FFS-6FFS 90°  |
| 4    | 30206                  | 2   | Bulkhead Tee 6MORFS-6MORFS-6MORFS |
| 5    | 30207                  | 2   | Nut                               |
| 6    | 37778                  | 1   | Hose .38" x 11.50" 8FFS-6FFS 90°  |
| 7    | 37840                  | 1   | Hose .38" x 10.75" 8FFS-6FFS 90°  |
| 8    | 30205                  | 4   | Straight Connector 8MORFS x 12MBo |
| 9    | 14231                  | 1   | Relief Valve 1000 PSI             |
| 10   | 1502                   | 2   | .31" Lock Washer                  |
| 11   | 1278                   | 2   | .31" UNF X 2.50" Hex Capscrew     |
| 12   | 38186                  | 2   | Hose .38" x 60" 8FFS-8FFS 90°     |
| 13   | 30237                  | 2   | Straight Connector 8MORFS x 8MBo  |
| 14   | 84928                  | 1   | Female Coupler                    |
| 15   | 32548                  | 1   | Female Coupler Cover              |
| 16   | 84923                  | 1   | Male Coupler                      |
| 17   | 32549                  | 1   | Male Coupler Cover                |

**NOTE:** Please specify that this is a Paladin attachment when contacting the Gehl Parts Department.

# HAY GRAPPLE BUCKET ASSEMBLY #820257



M-1019 10-29-07-2

**HAY GRAPPLE  
ASSEMBLY #820257**



| ITEM | PALADIN PART NUMBER | QTY | DESCRIPTION   |
|------|---------------------|-----|---|
| 1    | 105753              | 1   | Bucket Assembly   |
| 2    | 105752              | 1   | Grapple Assembly, Includes Items 2 thru 34                          |
| 3    | 304622              | 2   | Grapple Arm Support   |
| 4    | 304646              | 2   | Pin   |
| 5    | 1991                | 2   | Cotter Hairpin, .25"  |
| 6    | 304649              | 1   | Spill Guard   |
| 7    | 304722              | 4   | Spill Guard Pin   |
| 8    | 1617                | 8   | Cotter Hairpin, .12   |
| 9    | 304631              | 2   | Grapple Arm   |
| 10   | 304637              | 1   | Tine Bar  |
| 11   | 304636              | 2   | Tine Bar Mounting Plate   |
| 12   | 10119               | 8   | .62" UNC x 6.00" Hex Capscrew - Gr8                                 |
| 13   | 1839                | 8   | .62" UNC Nylock Nut Gr8   |
| 14   | 304641              | 3   | Inner Tine  |
| 15   | 304654              | 2   | Outer Tine  |
| 16   | 10012               | 10  | .75" UNC x 2.25" Hex Capscrew -Gr8                                  |
| 17   | 1936                | 10  | .75" UNC Deformed Lock Nut  |
| 18   | 304645              | 2   | Pivot Pin - Grapple Arm   |
| 19   | 1051                | 2   | .38" UNC X 3.00" Hex Capscrew                                       |
| 20   | 1536                | 6   | .38" UNC Nylock Nut   |
| 21   | 1048                | 4   | .38" UNC x 2.25" Hex Capscrew                                       |
| 22   | 304644              | 2   | Cylinder Pin  |
| 23   | 304643              | 2   | Cylinder Pin  |
| 24   | 33524               | 2   | Cylinder Assembly   |
| 25   | 6616                | 4   | Grease, Fitting   |
| 26   | 30204               | 4   | 90° Elbow 6MBo-6MORFS   |
| 27   | 37788               | 4   | Hose Assembly .38" x 56" 6FFS-6FFS                                  |
| 28   | 81358               | 4   | Replacement Hose Clamp  |
| 29   | 30203               | 2   | Tee 6MFS-6MFS-6MFS  |
| 30   | 38330               | 2   | Hose Assembly .38" x 70" 6FFS-6FFS 90°                              |
| 31   | 30324               | 2   | Straight Connector 6MJ x 8MBo                                       |
| 32   | 84923               | 1   | Female Coupler  |
| 33   | 32548               | 1   | Dust Plug   |
| 34   | 84928               | 1   | Male Coupler  |
| 35   | 32549               | 1   | Dust Cap  |
| 36   | 4338                | 1   | Made in USA Decal   |
| 37   | 40149               | 2   | Danger Decal, Pinch Point   |
| 38   | 40151               | 1   | Warning Decal, High Pressure Fluid                                  |
| 39   | ----                | 1   | Serial Number, Identification Tag Location                          |
| 40   | 11002               | 1   | Optional Bolt-On Cutting Edge Assembly<br>Includes Items 40 thru 42 |
| 41   | 12245               | 1   | Cutting Edge  |
| 42   | 1937                | 9   | .75" UNC x 2.50" Plow Bolt - Gr8                                    |
| 43   | 1936                | 9   | .75" UNC Deformed Lock Nut  |

**NOTE:** Please specify that this is a Paladin attachment when contacting the Gehl Parts Department.

**SCRAP GRAPPLE BUCKET ASSEMBLY #820253**  
**1.25 CUBIC YARDS - 78" WIDE**



**19**

**⚠ DANGER**

KEEP AWAY

To prevent serious injury or death from pinching:

- Keep all persons and objects clear while any part of this machine is in motion.



**24**

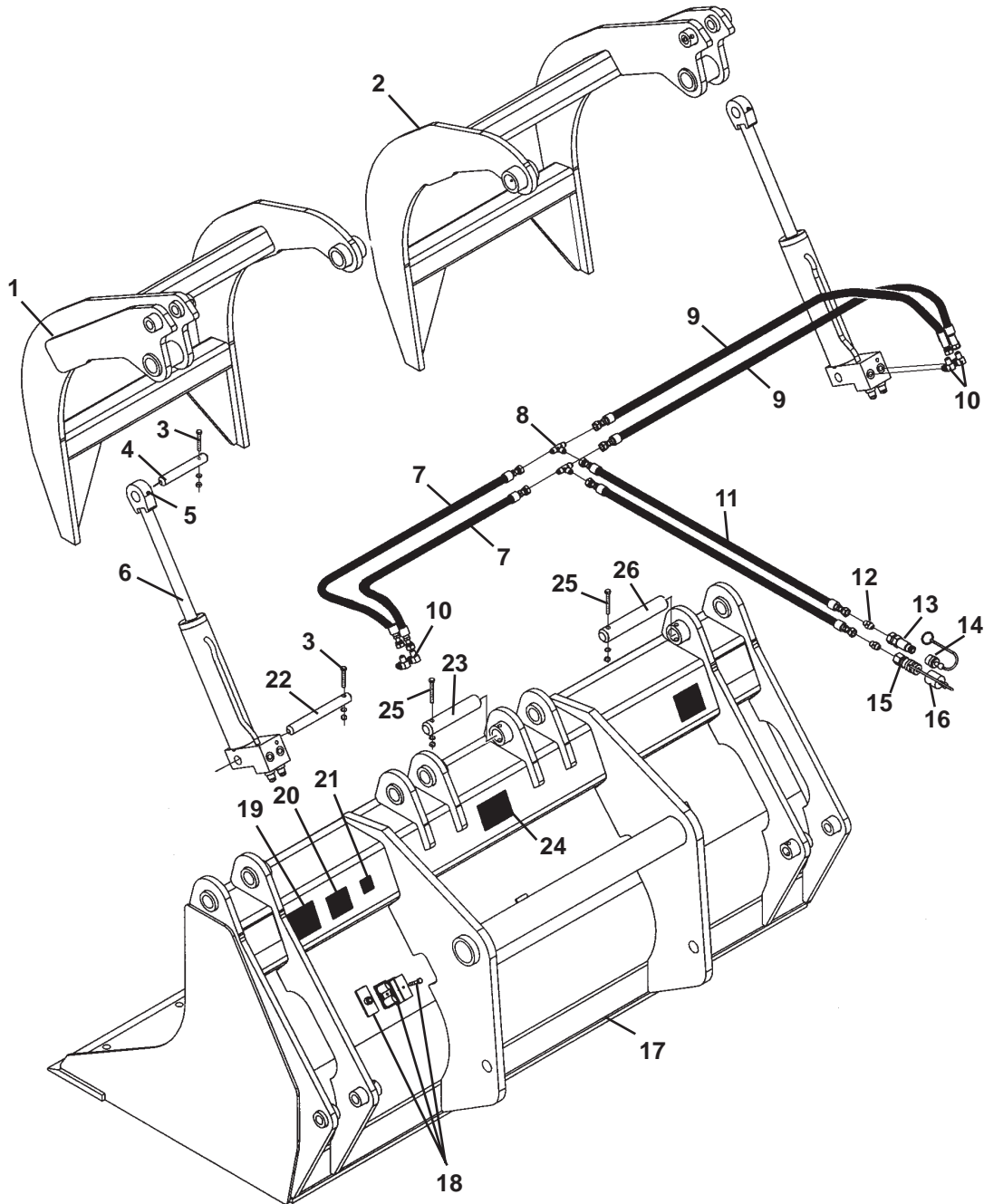
**⚠ WARNING**

KEEP AWAY

**HIGH-PRESSURE FLUID HAZARD**

To prevent serious injury or death:

- Relieve pressure on system before repairing or adjusting or disconnecting.
- Wear proper hand and eye protection when searching for leaks. Use wood or cardboard instead of hands.
- Keep all components in good repair.



M-1348 10-29-07-2

**SCRAP GRAPPLE BUCKET ASSEMBLY #820253**  
**1.25 CUBIC YARDS - 78" WIDE**

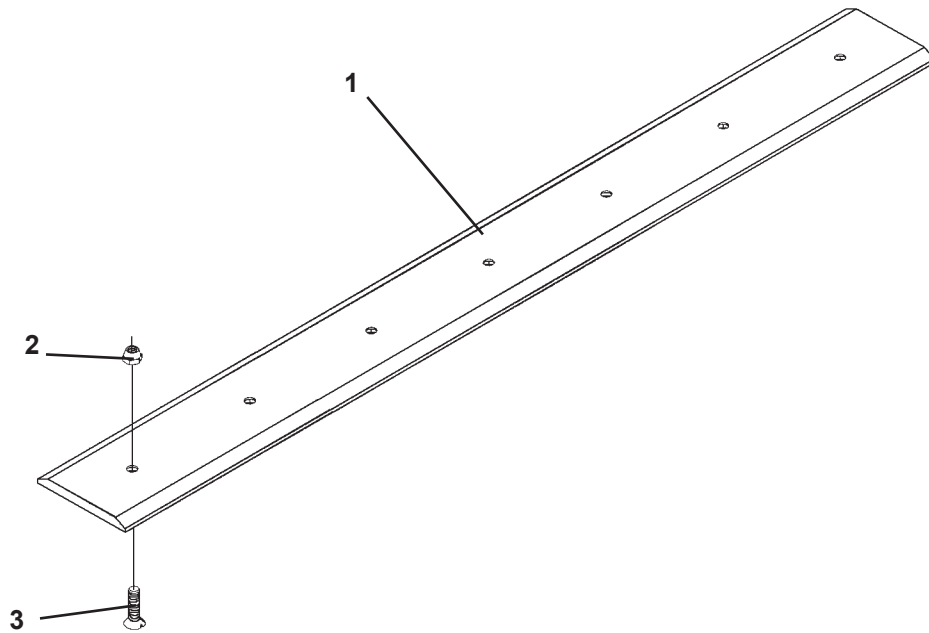


| ITEM | PALADIN PART NUMBER | QTY | DESCRIPTION                               |
|------|---------------------|-----|---|
| 1    | 308807              | 1   | Left Grapple                              |
| 2    | 308808              | 1   | Right Grapple                             |
| 3    | 1277                | 4   | .31" UNF x 2.25" Hex Capscrew             |
|      | 1502                | 4   | .31" Lock Washer                          |
|      | 4845                | 4   | .31" - 24 UNF Hex Nut                     |
| 4    | 14138               | 2   | Cylinder Pin, 1.00" x 6.75"               |
| 5    | 9371                | 4   | Grease Fitting                            |
| 6    | 102273              | 2   | Cylinder Assembly                         |
| 7    | 37407               | 2   | Hose Assembly .38" x 44.00" 6FJ-6FJX      |
| 8    | 3314                | 2   | Tee 6MJ-6MJ-6MJ                           |
| 9    | 37855               | 2   | Hose Assembly .38" x 56.25" 6FJX-6FJX     |
| 10   | 3434                | 4   | Elbow 6MBo-6MJ 90°                        |
| 11   | 37886               | 2   | Hose Assembly .38" x 60.00" 6FJX-6FJX     |
| 12   | 3269                | 2   | Straight Connector 6MJ-8MBo               |
| 13   | 84923               | 1   | Male Coupler                              |
| 14   | 32549               | 1   | Dust Cap                                  |
| 15   | 84928               | 1   | Female Coupler                            |
| 16   | 32548               | 1   | Dust Plug                                 |
| 17   | 106138              | 1   | Bucket                                    |
| 18   | 81358               | 4   | Replacement Hose Clamp                    |
| 19   | 40149               | 2   | Pinch Point Danger Decal                  |
| 20   | -----               | 1   | Serial Number Identification Tag Location |
| 21   | 4338                | 1   | Made in USA Decal                         |
| 22   | 14140               | 2   | Cylinder Pin, 1.00" x 9.06"               |
| 23   | 14289               | 2   | Grapple Arm Pivot Pin, 1.50" x 7.63"      |
| 24   | 40151               | 1   | High Pressure Fluid Warning Decal         |
| 25   | 1279                | 4   | .31" UNF X 2.75" Hex Capscrew             |
|      | 1502                | 4   | .31" Lock Washer                          |
|      | 4845                | 4   | .31" - 24 UNF Hex Nut                     |
| 26   | 14139               | 2   | Grapple Arm Pivot Pin, 1.50" x 9.13"      |

**NOTE:** Please specify that this is a Paladin attachment when contacting the Gehl Parts Department.

M-1349 10-29-07-2

**BOLT-ON CUTTING EDGE ASSEMBLY #820330  
FOR 78" WIDE SCRAP GRAPPLE BUCKET**



M-1354 5-10-06

**BOLT-ON CUTTING EDGE ASSEMBLY #820330  
FOR 78" WIDE SCRAP GRAPPLE BUCKET**



| ITEM | PALADIN<br>PART NUMBER | QTY | DESCRIPTION                         |
|------|------------------------|-----|-------------------------------------|
| 1    | 820330                 | 1   | Bolt-On Cutting Edge Assembly       |
| 2    | 11517                  | 1   | .75" x 8.00" x 78.00" Cutting Edge  |
| 3    | 1936                   | 7   | .75" UNC Deformed Lock Nut          |
| 3    | 1937                   | 7   | .75" UNC X 2.50" Plow Bolt, Grade 5 |

*NOTE:* Please specify that this is a Paladin attachment when contacting the Gehl Parts Department.

M-1355 10-29-07-2

**SCRAP GRAPPLE BUCKET ASSEMBLY #820327**  
**1.50 CUBIC YARDS - 84" WIDE**



**⚠ DANGER**

To prevent serious injury or death from pinching:

- Keep all persons and objects clear while any part of this machine is in motion.

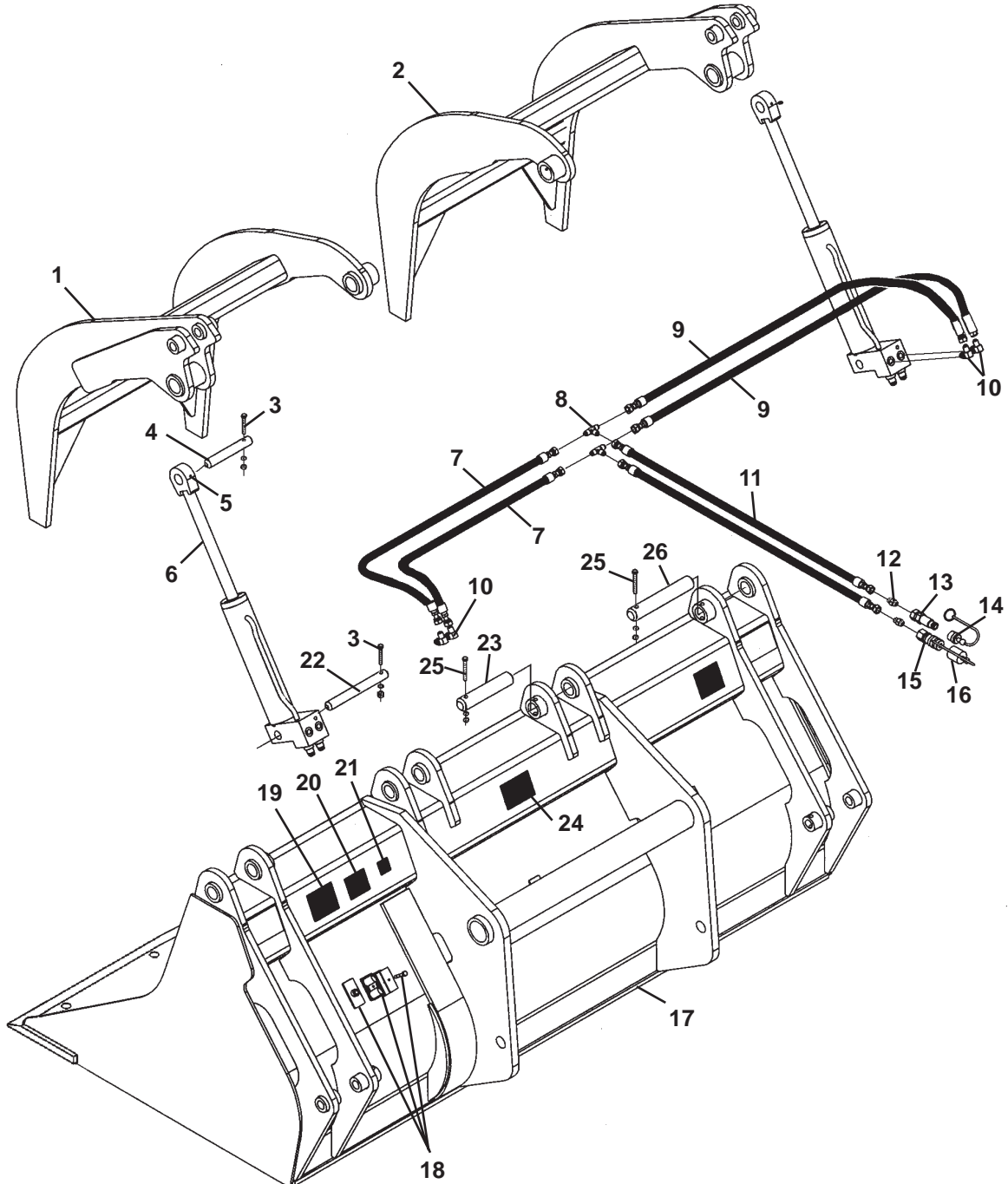


**⚠ WARNING**

**HIGH-PRESSURE FLUID HAZARD**

To prevent serious injury or death:

- Relieve pressure on system before repairing or adjusting or disconnecting.
- Wear proper hand and eye protection when searching for leaks. Use wood or cardboard instead of hands.
- Keep all components in good repair.



M-1350 10-29-07-2

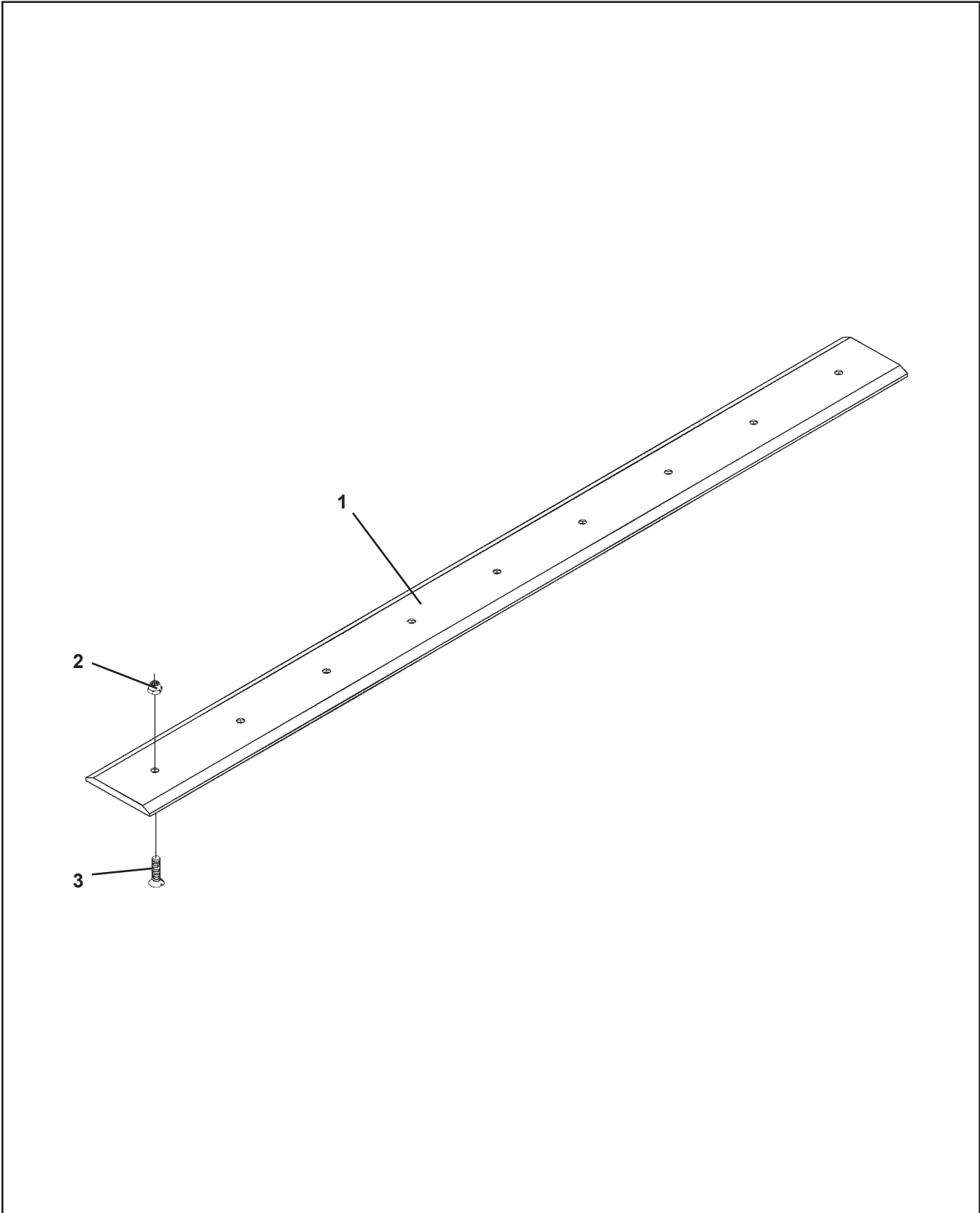
**SCRAP GRAPPLE BUCKET ASSEMBLY #820327**  
**1.50 CUBIC YARDS - 84" WIDE**



| ITEM | PALADIN PART NUMBER | QTY | DESCRIPTION                               |
|------|---------------------|-----|---|
| 1    | 18264               | 1   | Left Grapple                              |
| 2    | 18263               | 1   | Right Grapple                             |
| 3    | 1277                | 4   | .31" UNF x 2.25" Hex Capscrew             |
|      | 1502                | 4   | .31" Lock Washer                          |
|      | 4845                | 4   | .31" - 24 UNF Hex Nut                     |
| 4    | 14138               | 2   | Cylinder Pin, 1.00" x 6.75"               |
| 5    | 9371                | 4   | Grease Fitting                            |
| 6    | 102273              | 2   | Cylinder Assembly                         |
| 7    | 38362               | 2   | Hose Assembly .38" x 46.00" 6FJX-6FJX     |
| 8    | 3314                | 2   | Tee 6MJ-6MJ-6MJ                           |
| 9    | 37855               | 2   | Hose Assembly .38" x 56.25" 6FJX-6FJX     |
| 10   | 3434                | 4   | Elbow 6MBo-6MJ 90°                        |
| 11   | 37886               | 2   | Hose Assembly .38" x 60.00" 6FJX-6FJX     |
| 12   | 3269                | 2   | Straight Connector 6MJ-8MBo               |
| 13   | 84923               | 1   | Male Coupler                              |
| 14   | 32549               | 1   | Dust Cap                                  |
| 15   | 84928               | 1   | Female Coupler                            |
| 16   | 32548               | 1   | Dust Plug                                 |
| 17   | 106314              | 1   | Bucket                                    |
| 18   | 81358               | 4   | Replacement Hose Clamp                    |
| 19   | 40149               | 2   | Pinch Point Danger Decal                  |
| 20   | -----               | 1   | Serial Number Identification Tag Location |
| 21   | 4338                | 1   | Made in USA Decal                         |
| 22   | 14140               | 2   | Cylinder Pin, 1.00" x 9.06"               |
| 23   | 14289               | 2   | Grapple Arm Pivot Pin, 1.50" x 7.63"      |
| 24   | 40151               | 1   | High Pressure Fluid Warning Decal         |
| 25   | 1279                | 4   | .31" UNF X 2.75" Hex Capscrew             |
|      | 1502                | 4   | .31" Lock Washer                          |
|      | 4845                | 4   | .31" - 24 UNF Hex Nut                     |
| 26   | 14139               | 2   | Grapple Arm Pivot Pin, 1.50" x 9.13"      |

**NOTE:** Please specify that this is a Paladin attachment when contacting the Gehl Parts Department.

**BOLT-ON CUTTING EDGE ASSEMBLY #820328  
FOR 84" WIDE SCRAP GRAPPLE BUCKET**



M-1356 5-10-06

**BOLT-ON CUTTING EDGE ASSEMBLY #820328  
FOR 84" WIDE SCRAP GRAPPLE BUCKET**



| ITEM | PALADIN<br>PART NUMBER | QTY | DESCRIPTION                         |
|------|------------------------|-----|-------------------------------------|
| 1    | 820328                 | 1   | Bolt-On Cutting Edge Assembly       |
| 2    | 18057                  | 1   | .75" x 8.00" x 83.50" Cutting Edge  |
| 3    | 1936                   | 9   | .75" UNC Deformed Lock Nut          |
| 3    | 10061                  | 9   | .75" UNC X 2.25" Plow Bolt, Grade 5 |

**NOTE:** Please specify that this is a Paladin attachment when contacting the Gehl Parts Department.

M-1357 10-29-07-2

**SCRAP GRAPPLE BUCKET ASSEMBLY #820329**  
**1.75 CUBIC YARDS - 96" WIDE**



**⚠ DANGER**

To prevent serious injury or death from pinching:

- Keep all persons and objects clear while any part of this machine is in motion.

19



21

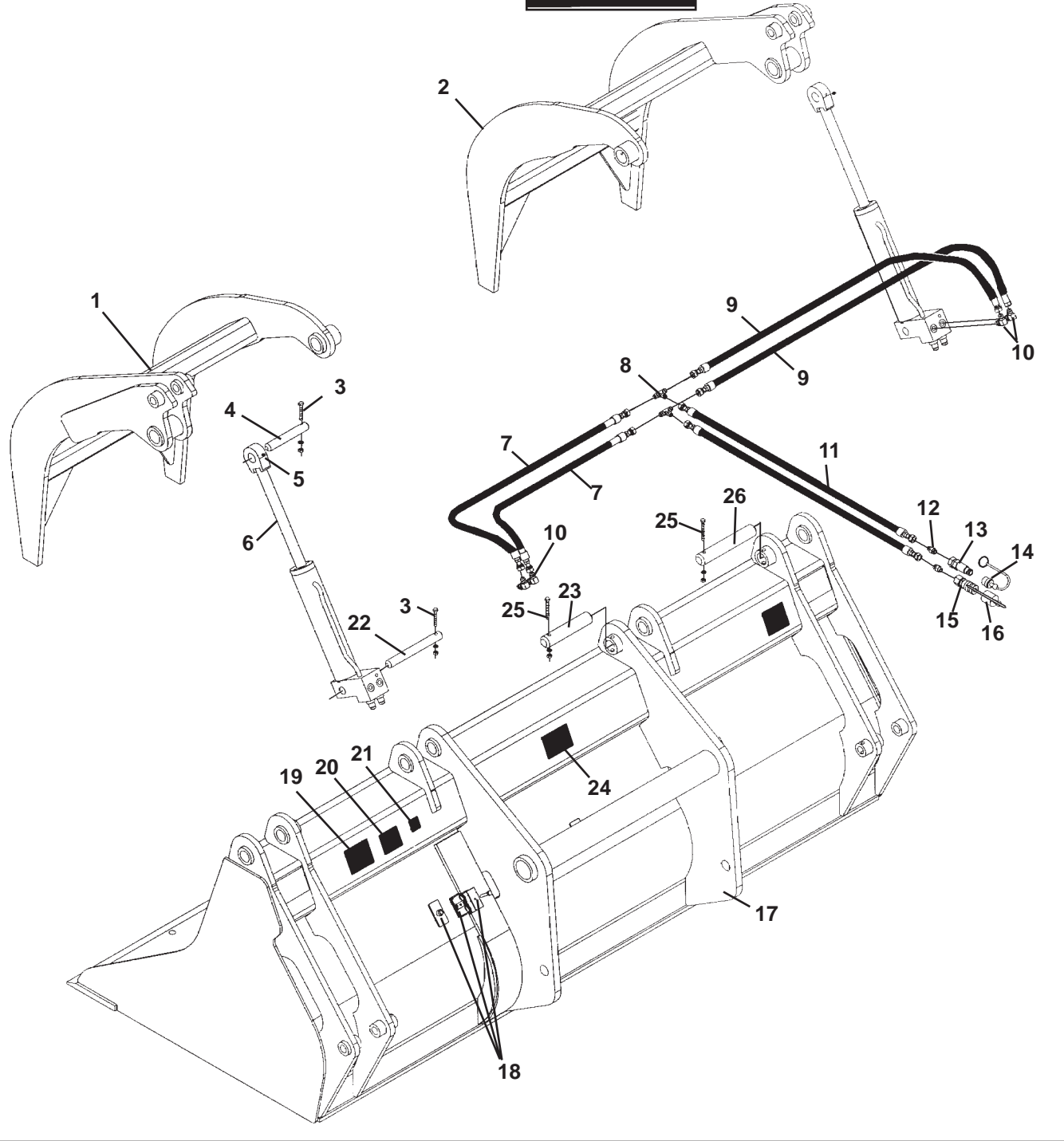
**⚠ WARNING**

**HIGH-PRESSURE FLUID HAZARD**

To prevent serious injury or death:

- Relieve pressure on system before repairing or adjusting or disconnecting.
- Wear proper hand and eye protection when searching for leaks. Use wood or cardboard instead of hands.
- Keep all components in good repair.

24



M-1352 10-29-07-2

**SCRAP GRAPPLE BUCKET ASSEMBLY #820329**  
**1.75 CUBIC YARDS - 96" WIDE**

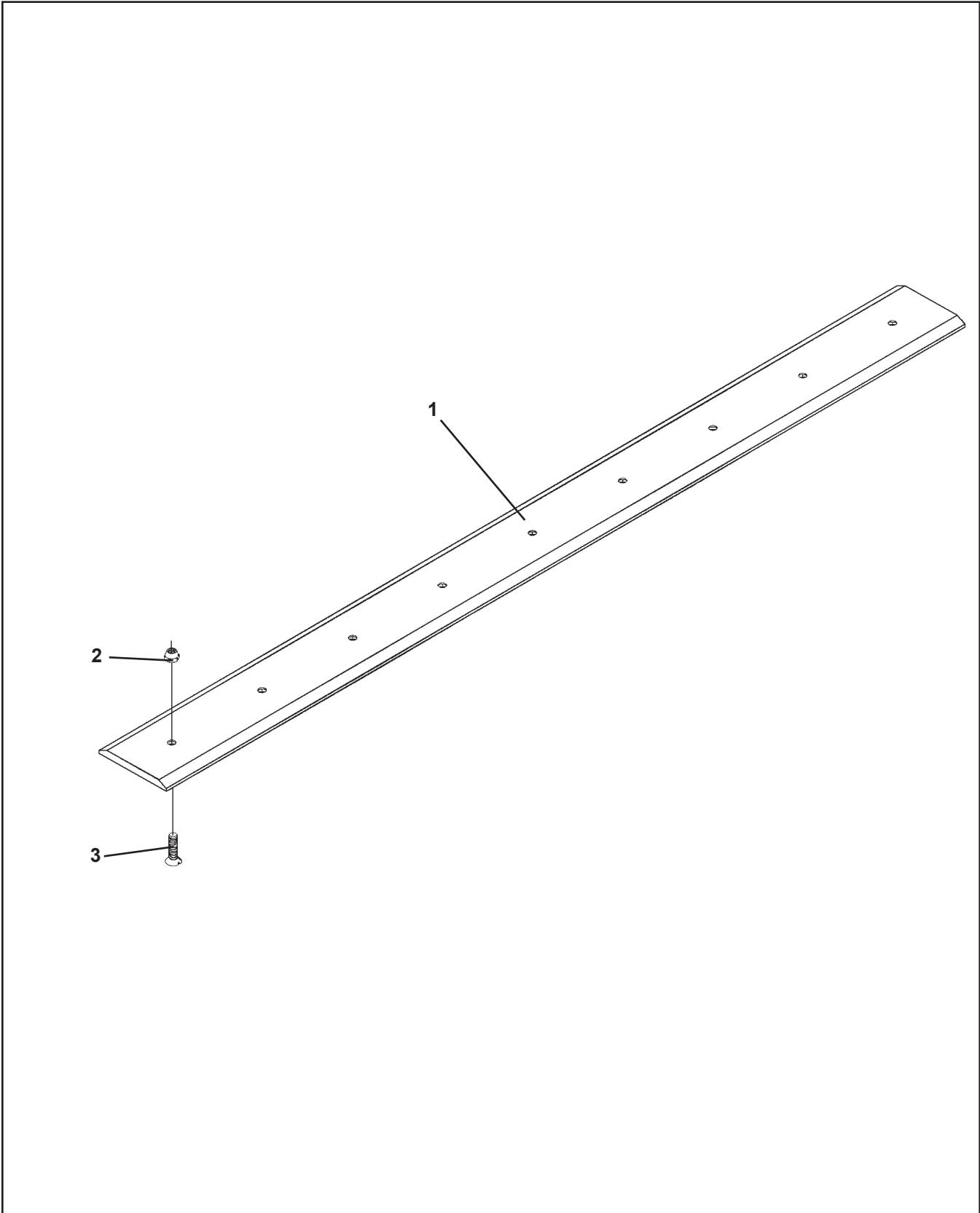


| ITEM | PALADIN PART NUMBER | QTY | DESCRIPTION                               |
|------|---------------------|-----|---|
| 1    | 18264               | 1   | Left Grapple                              |
| 2    | 18263               | 1   | Right Grapple                             |
| 3    | 1277                | 4   | .31" UNF x 2.25" Hex Capscrew             |
|      | 1502                | 4   | .31" Lock Washer                          |
|      | 4845                | 4   | .31" - 24 UNF Hex Nut                     |
| 4    | 14138               | 2   | Cylinder Pin, 1.00" x 6.75"               |
| 5    | 9371                | 4   | Grease Fitting                            |
| 6    | 102273              | 2   | Cylinder Assembly                         |
| 7    | 38438               | 2   | Hose Assembly .38" x 54.00" 6FJX-6FJX     |
| 8    | 3314                | 2   | Tee 6MJ-6MJ-6MJ                           |
| 9    | 37887               | 2   | Hose Assembly .38" x 64.00" 6FJX-6FJX     |
| 10   | 3434                | 4   | Elbow 6MBo-6MJ 90°                        |
| 11   | 37886               | 2   | Hose Assembly .38" x 60.00" 6FJX-6FJX     |
| 12   | 3269                | 2   | Straight Connector 6MJ-8MBo               |
| 13   | 84923               | 1   | Male Coupler                              |
| 14   | 32549               | 1   | Dust Cap                                  |
| 15   | 84928               | 1   | Female Coupler                            |
| 16   | 32548               | 1   | Dust Plug                                 |
| 17   | 105922              | 1   | Bucket                                    |
| 18   | 81358               | 4   | Replacement Hose Clamp                    |
| 19   | 40149               | 2   | Pinch Point Danger Decal                  |
| 20   | -----               | 1   | Serial Number Identification Tag Location |
| 21   | 4338                | 1   | Made in USA Decal                         |
| 22   | 14140               | 2   | Cylinder Pin, 1.00" x 9.06"               |
| 23   | 14289               | 2   | Grapple Arm Pivot Pin, 1.50" x 7.63"      |
| 24   | 40151               | 1   | High Pressure Fluid Warning Decal         |
| 25   | 1279                | 4   | .31" UNF X 2.75" Hex Capscrew             |
|      | 1502                | 4   | .31" Lock Washer                          |
|      | 4845                | 4   | .31" - 24 UNF Hex Nut                     |
| 26   | 14139               | 2   | Grapple Arm Pivot Pin, 1.50" x 9.13"      |

**NOTE:** Please specify that this is a Paladin attachment when contacting the Gehl Parts Department.

M-1353 10-29-07-2

**BOLT-ON CUTTING EDGE ASSEMBLY #820259  
FOR 96" WIDE SCRAP GRAPPLE BUCKET**



M-1358 5-10-06

**BOLT-ON CUTTING EDGE ASSEMBLY #820259  
FOR 96" WIDE SCRAP GRAPPLE BUCKET**

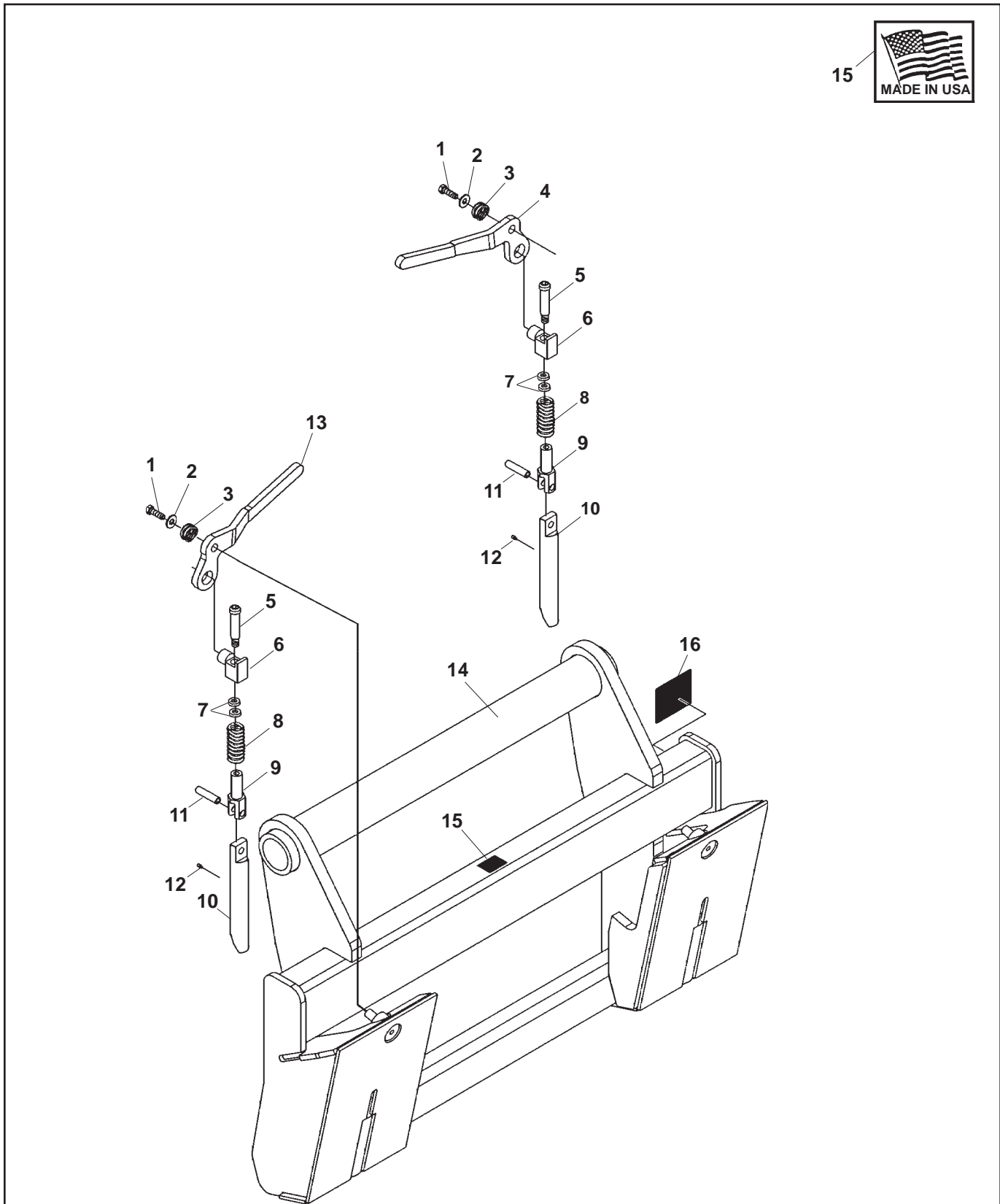


| ITEM | PALADIN<br>PART NUMBER | QTY | DESCRIPTION                         |
|------|------------------------|-----|-------------------------------------|
| 1    | 820259                 | 1   | Bolt-On Cutting Edge Assembly       |
| 2    | 12245                  | 1   | .75" x 8.00" x 78.00" Cutting Edge  |
| 3    | 1936                   | 9   | .75" UNC Deformed Lock Nut          |
|      | 1937                   | 9   | .75" UNC X 2.50" Plow Bolt, Grade 5 |

*NOTE:* Please specify that this is a Paladin attachment when contacting the Gehl Parts Department.

M-1359 10-29-07-2

UNIVERSAL QUICK ATTACH ADAPTER  
ASSEMBLY #820260



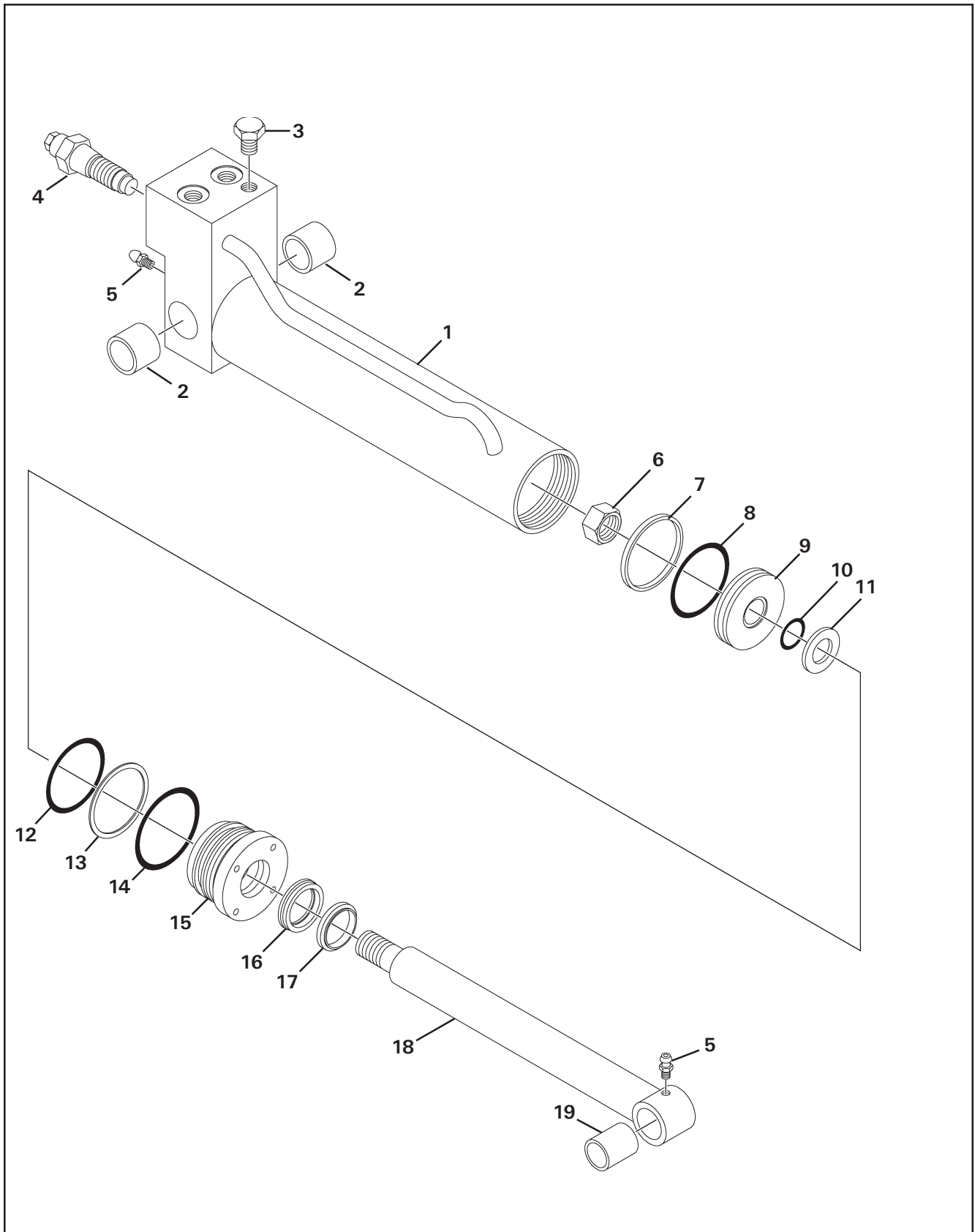
M-978 10-29-07-2

**UNIVERSAL QUICK ATTACH ADAPTER  
ASSEMBLY #820260**



| ITEM | PALADIN<br>PART NUMBER | QTY | DESCRIPTION                               |
|------|------------------------|-----|---|
| 1    | 1044                   | 2   | .38" UNC x 1.25" Hex Capscrew             |
| 2    | 1514                   | 2   | .38" Flat Washer                          |
| 3    | 87333                  | 2   | Lock Handle Spring                        |
| 4    | 87331                  | 1   | Left Lock Handle                          |
| 5    | 87335                  | 2   | Shoulder Bolt                             |
| 6    | 87330                  | 2   | Bearing End Lock Pin                      |
| 7    | 33056                  | 4   | Spacer Tube                               |
| 8    | 87334                  | 2   | Clevis Spring                             |
| 9    | 87329                  | 2   | Clevis                                    |
| 10   | 87328                  | 2   | Lock Pin                                  |
| 11   | 87337                  | 2   | Roll Pin                                  |
| 12   | 6616                   | 2   | Grease Fitting                            |
| 13   | 87342                  | 1   | Right Lock Handle                         |
| 14   | 17177                  | 1   | Universal Quick Attach Mount              |
| 15   | 4338                   | 1   | Made In USA Decal                         |
| 16   | -----                  | 1   | Serial Number Identification Tag Location |

**NOTE:** Please specify that this is a Paladin attachment when contacting the Gehl Parts Department.

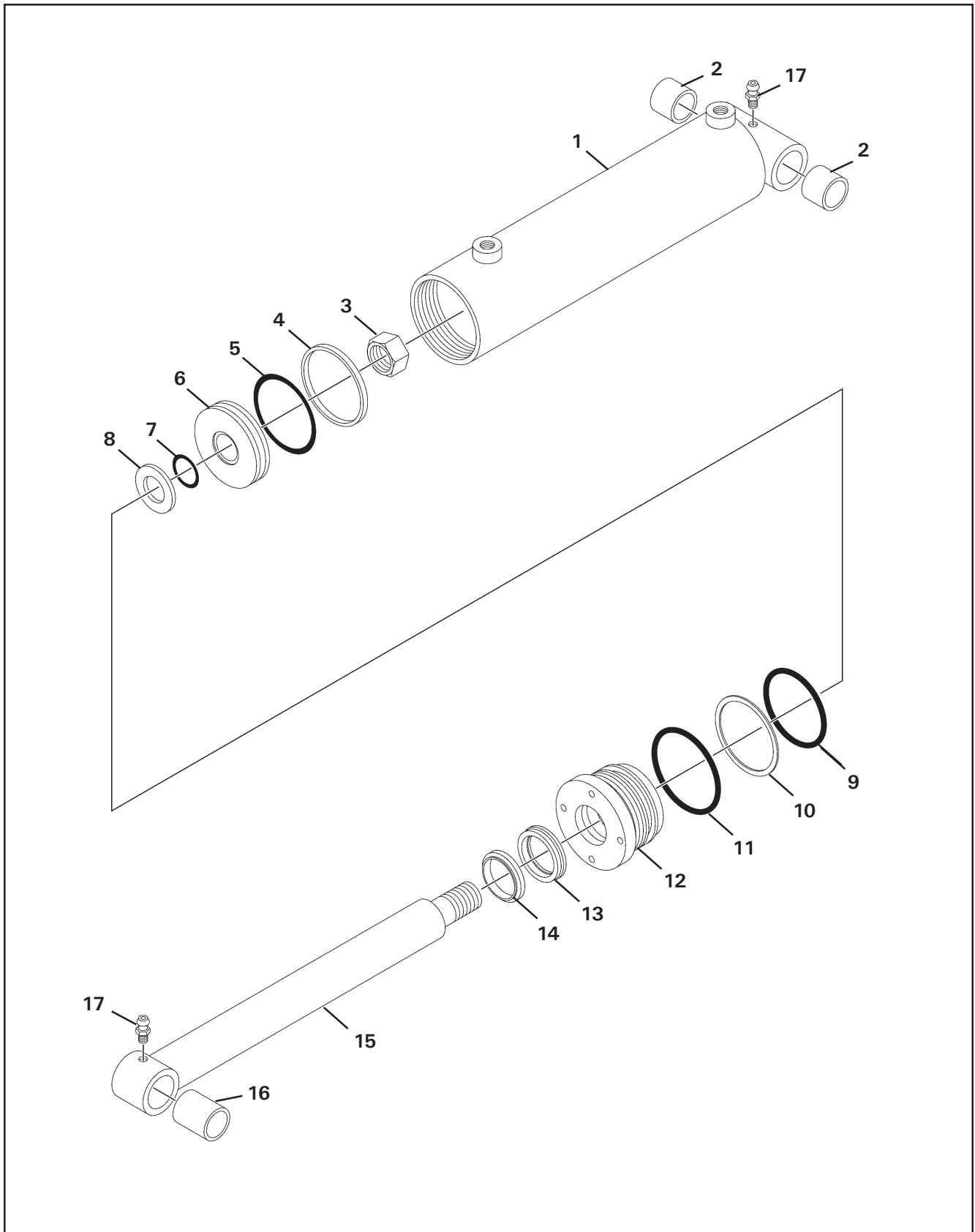


**CYLINDER ASSEMBLY #33524**



| <b>ITEM</b> | <b>PALADIN<br/>PART NUMBER</b> | <b>QTY</b> | <b>DESCRIPTION</b>  |
|-------------|--------------------------------|------------|---|
| 1           | 33525                          | 1          | Cylinder Tube   |
| 2           | 88919                          | 2          | Bushing   |
| 3           | 3181                           | 1          | Plug  |
| 4           | 89120                          | 2          | Valve Cartridge - Over Center   |
| 5           | 6616                           | 2          | Grease Fitting  |
| 6           | 1483                           | 1          | Lock Nut  |
| 7           | 4644*                          | 1          | Piston Ring   |
| 8           | 4645*                          | 1          | O-Ring  |
| 9           | 50252                          | 1          | Piston  |
| 10          | 4641*                          | 1          | O-Ring  |
| 11          | 5421                           | 1          | Washer  |
| 12          | 4509*                          | 1          | O-Ring  |
| 13          | 4510*                          | 1          | Backup Washer   |
| 14          | 45250*                         | 1          | O-Ring  |
| 15          | 77458                          | 1          | Cylinder Gland  |
| 16          | 45219*                         | 1          | Polypak Seal  |
| 17          | 45389*                         | 1          | Rod Wiper   |
| 18          | 88915                          | 1          | Cylinder Rod  |
| 19          | 88918                          | 1          | Bushing   |
|             | 45617                          | 1          | Cylinder Seal Kit Includes all parts marked with an asterisk(*). Parts are not sold separately. |

**NOTE:** Please specify that this is a Paladin attachment when contacting the Gehl Parts Department.

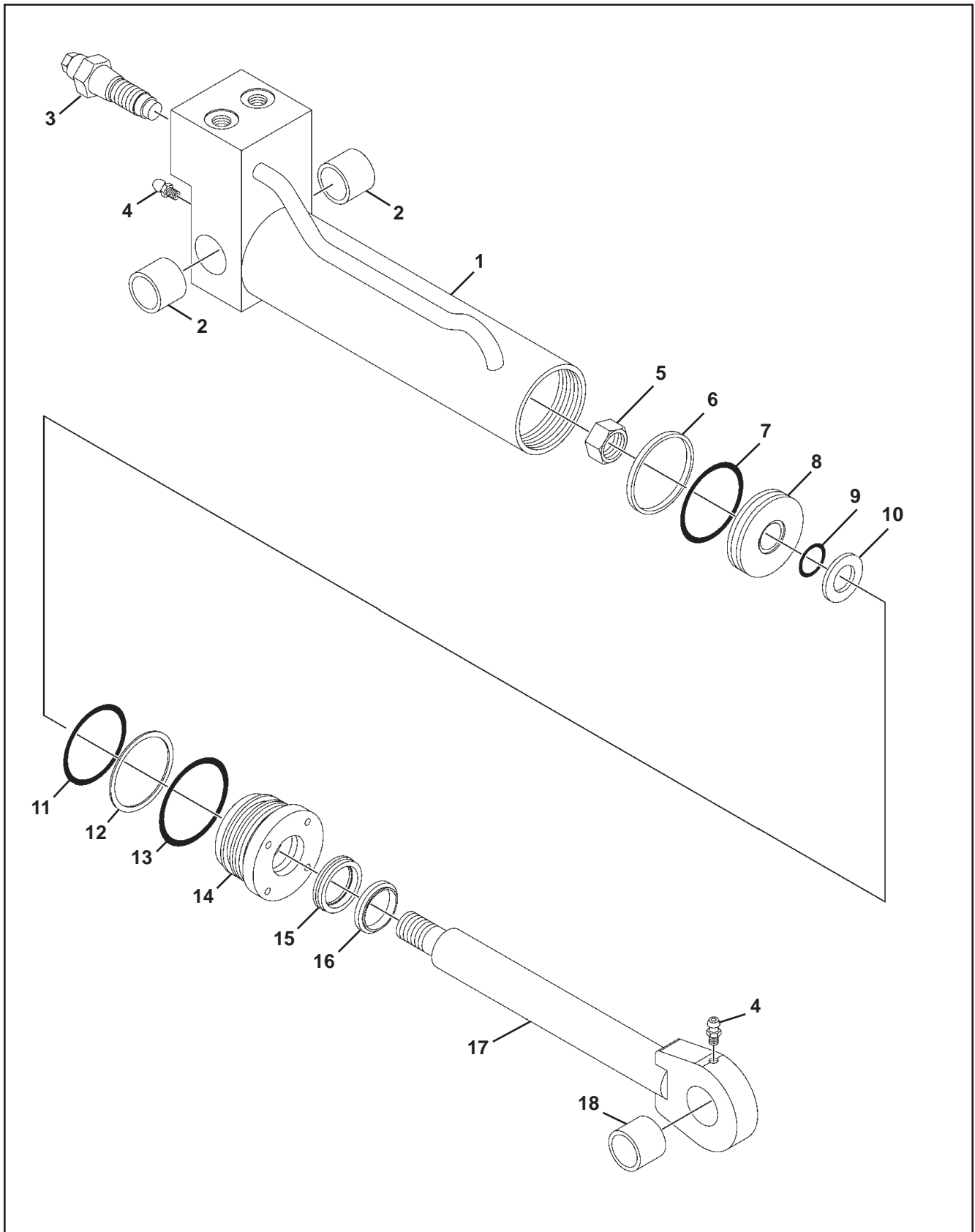


**CYLINDER ASSEMBLY #88928**



| ITEM | PALADIN<br>PART NUMBER | QTY | DESCRIPTION   |
|------|------------------------|-----|---|
| 1    | 88926                  | 1   | Cylinder Tube   |
| 2    | 88919                  | 2   | Bushing   |
| 3    | 1483                   | 1   | Lock Nut  |
| 4    | 4644*                  | 1   | Piston Ring   |
| 5    | 4645*                  | 1   | O-Ring  |
| 6    | 50252                  | 1   | Piston  |
| 7    | 4641*                  | 1   | O-Ring  |
| 8    | 5421                   | 1   | Washer  |
| 9    | 4509*                  | 1   | O-Ring  |
| 10   | 4510*                  | 1   | Backup Washer   |
| 11   | 45250*                 | 1   | O-Ring  |
| 12   | 77458                  | 1   | Cylinder Gland  |
| 13   | 45219*                 | 1   | Polypak Seal  |
| 14   | 45389*                 | 1   | Rod Wiper   |
| 15   | 88927                  | 1   | Cylinder Rod  |
| 16   | 88918                  | 1   | Bushing   |
| 17   | 6616                   | 2   | Grease Fitting  |
|      | 45617                  | 1   | Cylinder Seal Kit Includes all parts marked with an asterisk(*). Parts are not sold separately. |

**NOTE:** Please specify that this is a Paladin attachment when contacting the Gehl Parts Department.



**CYLINDER ASSEMBLY #102273**



| <b>ITEM</b> | <b>PALADIN<br/>PART NUMBER</b> | <b>QTY</b> | <b>DESCRIPTION</b>  |
|-------------|--------------------------------|------------|---|
| 1           | 33525                          | 1          | Cylinder Tube   |
| 2           | 88919                          | 2          | Bushing   |
| 3           | 89120                          | 2          | Valve Cartridge - Over Center   |
| 4           | 6616                           | 2          | Grease Fitting  |
| 5           | 1483                           | 1          | Lock Nut  |
| 6           | 4644*                          | 1          | Piston Ring   |
| 7           | 4645*                          | 1          | O-Ring  |
| 8           | 50252                          | 1          | Piston  |
| 9           | 4641*                          | 1          | O-Ring  |
| 10          | 5421                           | 1          | Washer  |
| 11          | 4509*                          | 1          | O-Ring  |
| 12          | 4510*                          | 1          | Backup Washer   |
| 13          | 45250*                         | 1          | O-Ring  |
| 14          | 77458                          | 1          | Cylinder Gland  |
| 15          | 45219*                         | 1          | Polypak Seal  |
| 16          | 45389*                         | 1          | Rod Wiper   |
| 17          | 102272                         | 1          | Cylinder Rod  |
| 18          | 88918                          | 1          | Bushing   |
|             | 45617                          | 1          | Cylinder Seal Kit Includes all parts marked with an asterisk(*). Parts are not sold separately. |

**NOTE:** Please specify that this is a Paladin attachment when contacting the Gehl Parts Department.