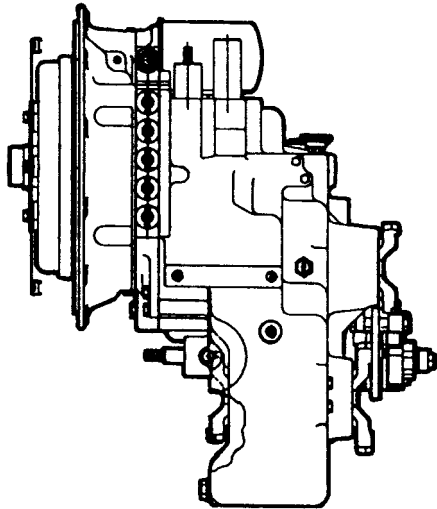


# **T12000/T18000**

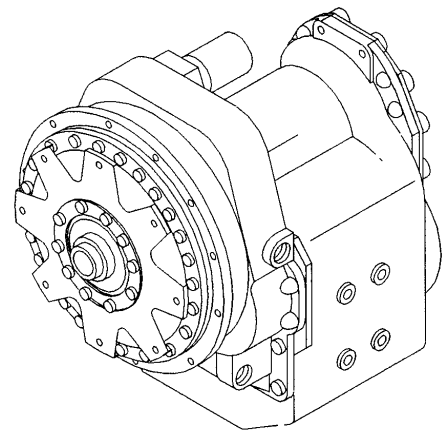
## **Clark**

### **Transmissions**

**Model T12000**



**Model T18000**



# **SERVICE PARTS**



**GEHL® CONSTRUCTION**

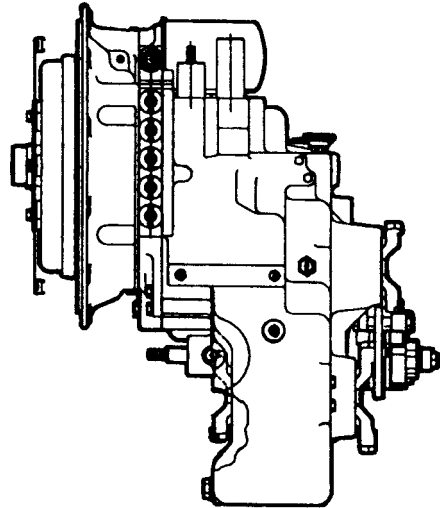
---

# **T12000**

## **Clark**

### **Transmission**

**Model No.**  
**1102-T12363-2**



# **SERVICE PARTS**



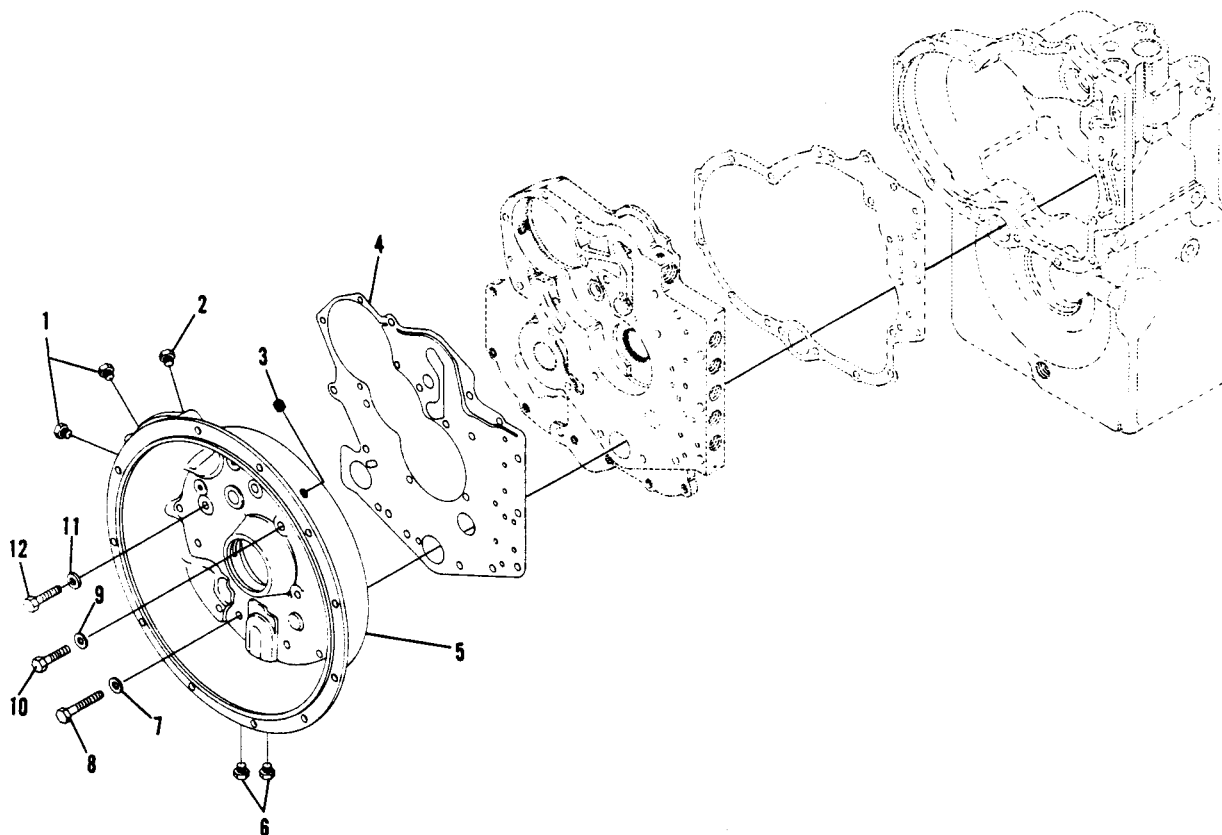
Section Contents . . . . . **1-1**  
\_\_\_\_\_ - Special Parts Group . . . . . **1-3**  
267072 - Converter Housing Group . . . . . **1-4**  
267338 - Case and Plate Group . . . . . **1-6**  
267164 - Torque Converter Group . . . . . **1-8**  
267396 - Pump Drive Group . . . . . **1-9**  
267078 - Charge Pump Group . . . . . **1-10**  
267079 - Reverse Idler Group . . . . . **1-12**  
267169 - Forward/Reverse Shaft Group . . . . . **1-14**  
267185 - 3rd and Output Shaft Group . . . . . **1-16**  
267082 - 1st and 2nd Shaft Group . . . . . **1-18**  
267083 - Output Shaft Group . . . . . **1-20**  
267270 - Disc Brake Group . . . . . **1-22**  
246401 - Brake Caliper Assembly . . . . . **1-23**  
267172 - Electric Control With Modulation Group . . . . . **1-24**  
267086 - Drive Plate Group . . . . . **1-26**  
Numerical Index . . . . . **1-27**

**This Page Intentionally Blank**

**Special Parts Group**

Ref. No.	Part No.	Description	Qty. Req.	Ref. No.	Part No.	Description	Qty. Req.
<b>PAGE 12/13</b>				<b>PAGE 18/19</b>			
09	L99256	REV. IDLER GEAR (26T) . . . . .	1	43	L99259	1ST CLUTCH GEAR & BRG. ASY (Incl. Items 44,45) . . . . .	1
<b>PAGE 14/15</b>				44	L98253	BEARING. . . . .	1
41	L98253	REV. CLUTCH GEAR BRG. . . . .	1	45	L98253	BEARING. . . . .	1
42	L98254	REV. CLUTCH GEAR SPACER . . .	1	46	L98276	2ND CLUTCH GEAR & BRG. ASY (Incl. Items 47,48)	1
43	L98253	REV. CLUTCH GEAR BRG. . . . .	1	47	L98253	BEARING. . . . .	1
44	L99255	REV. CLUTCH GEAR. . . . .	1	48	L98253	BEARING. . . . .	1
		& BRG. ASY. (Incl. Items 41-43)		49	L98277	3RD DRIVEN GEAR (18T) . . . . .	1
45	L99257	FWD. CLUTCH GEAR . . . . .	1	<b>PAGE 20/21</b>			
		& BRG. ASY. (Incl. Items 46-48)		18	L98284	OUTPUT SHAFT GEAR (40T) . . . . .	1
46	L98253	FWD. CLUTCH GEAR BRG. . . . .	1				
47	L98254	FWD. CLUTCH GEAR SPACER. . .	1				
48	L98253	FWD. CLUTCH GEAR BRG. . . . .	1				
<b>PAGE 16/17</b>							
31	L99258	1ST DRIVE GEAR (29T) . . . . .	1				
32	L98270	3RD GEAR & OUTPUT SHAFT (46T). . . . .	1				

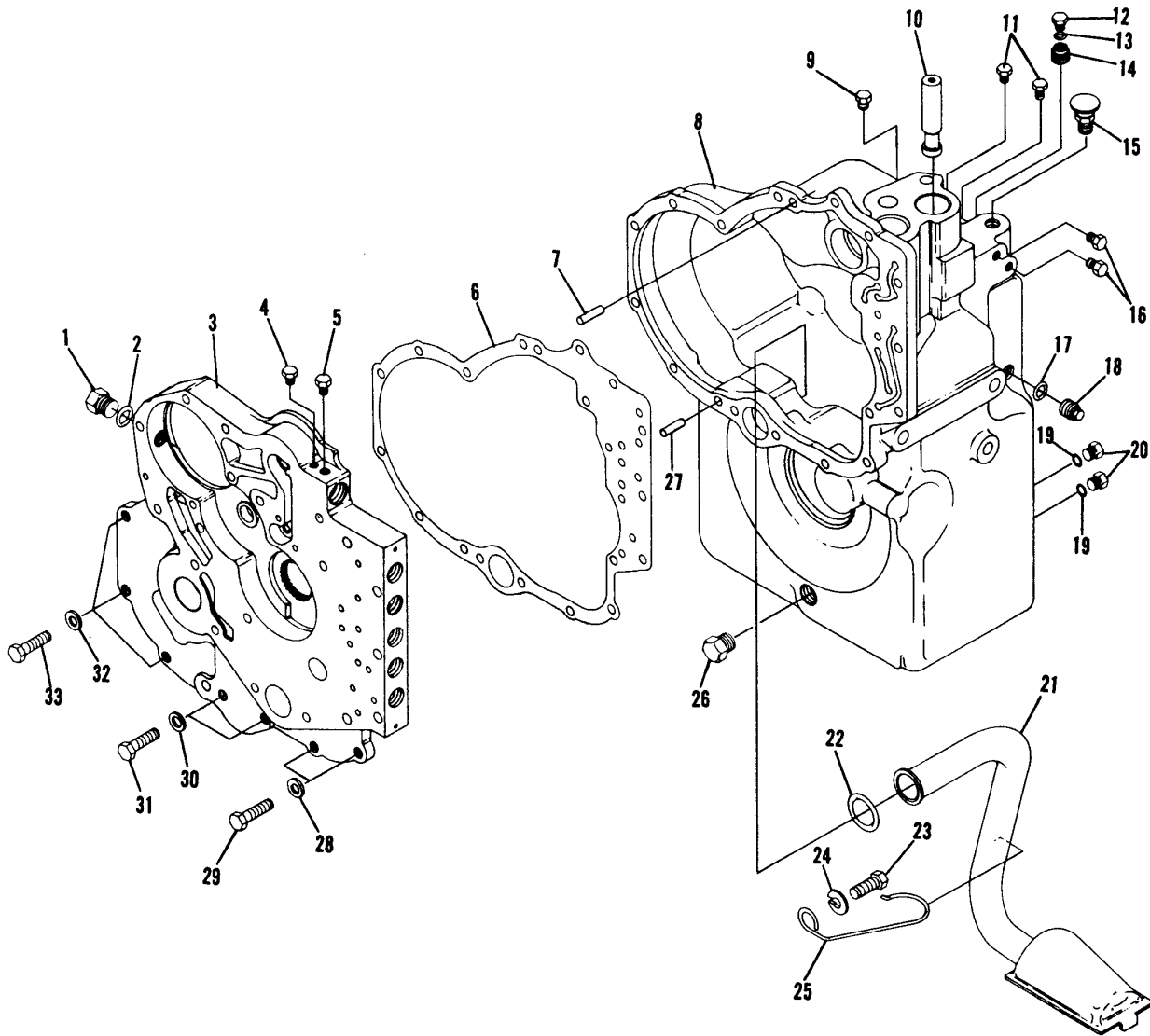
**Converter Housing Group**



***Converter Housing Group***

<b>Ref. No.</b>	<b>Part No.</b>	<b>Description</b>	<b>Qty. Req.</b>	<b>Ref. No.</b>	<b>Part No.</b>	<b>Description</b>	<b>Qty. Req.</b>
01	L99246	Plug (Hi & 3rd Port) . . . . .	2	08	L99247	Conv. Housing. to Trans.	
02	L99246	Reg. Pressure Port Plug. . . . .	1			Case Screw . . . . .	13
03	L97508	Plug . . . . .	1	09	L99029	Conv. Housing. to Plate	
04	L98186	Housing to Plate Gasket. . . . .	1			Screw Lockwasher . . . . .	1
05	L98187	Converter Housing . . . . .	1	10	L99247	Conv. Hsg. to Plate Screw . . . . .	1
06	L99246	Plug (1st & 2nd Port) . . . . .	2	11	L99029	Conv. Hsg. to Plate . . . . .	6
07	L99029	Conv. Hsg. to Trans. Case				Screw Lockwasher	
		Screw Lockwasher . . . . .	13	12	L99044	Conv. Hsg. to Plate Screw . . . . .	6

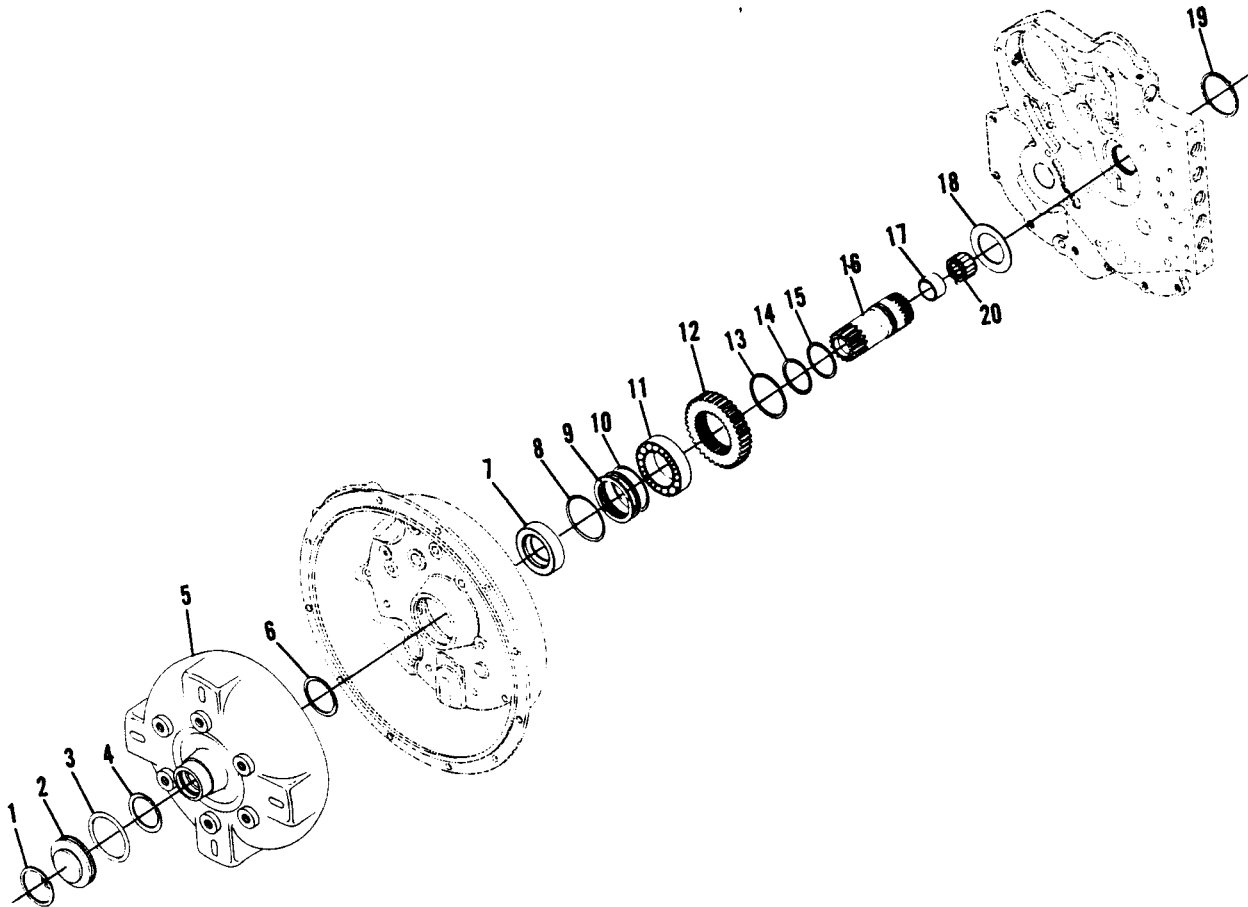
**Case & Plate Group**



**Case & Plate Group**

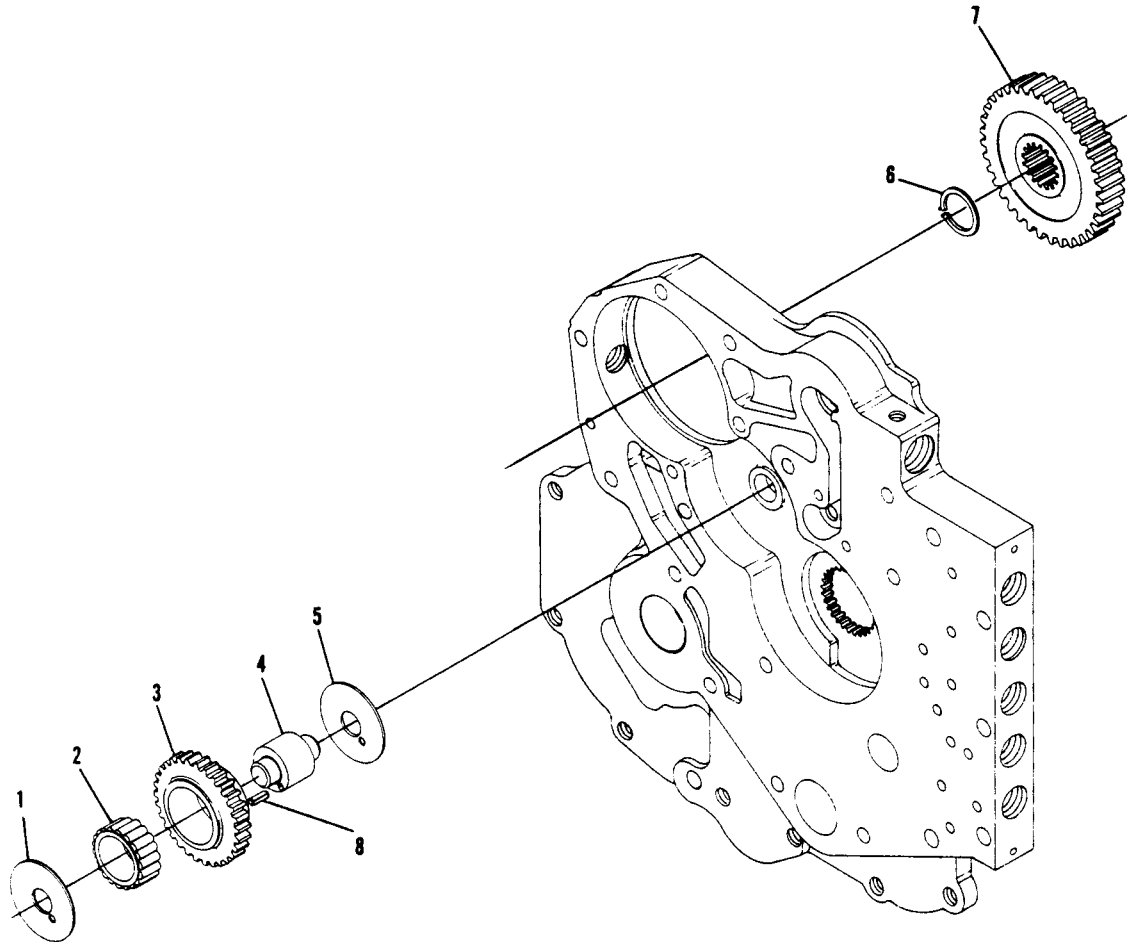
Ref. No.	Part No.	Description	Qty. Req.	Ref. No.	Part No.	Description	Qty. Req.
01	L99248	Sensor Port Plug . . . . .	1	20	L99251	Oil Level Plug. . . . .	2
02	L98924	Sensor Port Plug Washer . . . . .	1	21	L98184	Tube & Screen Assembly . . . . .	1
03	L98178	Spacer Plate . . . . .	1	22	L98185	Oil Supply Tube Seal Ring . . . . .	1
04	L99246	Inlet Pressure Port Plug . . . . .	1	23	L99252	Retainer Clip Screw . . . . .	1
05	L99249	Outlet Temperture Port Plug . . . . .	1	24	L99029	Retainer Clip Screw Lockwasher . . . . .	1
06	L98179	Plate to Transmission Case Gasket . . . . .	1	25	L98176	Oil Supply Tube Retainer Clip. . . . .	1
07	L99177	Plate to Transmission Case Dowel Pin . . . . .	1	26	L99253	Magnetic Drain Plug . . . . .	1
08	L98180	Transmission Case. . . . .	1	27	L98177	Plate to Transmission Case Dowel Pin . . . . .	1
09	L99015	Filler Plug. . . . .	1	28	L99029	Plate to Transmission Case Screw Lockwasher. . . . .	2
10	L98181	Diverter Sleeve . . . . .	1	29	L99044	Plate to Transmission Case Screw . . . . .	2
11	L99246	Pipe Plug . . . . .	2	30	L99029	Plate to Transmission Case Screw Lockwasher. . . . .	2
11	L99283	Plug . . . . .	1	31	L99254	Plate to Transmission Case Screw . . . . .	3
12	L99248	Auto Shift Sensor Port Plug . . . . .	1	32	L99029	Plate to Transmission Case Screw Lockwasher. . . . .	3
13	L98924	Sensor Port Plug "O" Ring. . . . .	1	33	L99044	Plate to Transmission Case Screw . . . . .	3
14	L98182	Sensor Adjusting Bushing. . . . .	1				
15	L94824	Air Breather . . . . .	1				
16	L99246	Plug . . . . .	2				
17	L99267	Sensor Port Plug "O" Ring. . . . .	1				
18	L99250	Sensor Port Plug . . . . .	1				
19	L99013	Plug "O" Ring . . . . .	2				

**Torque Converter Group**



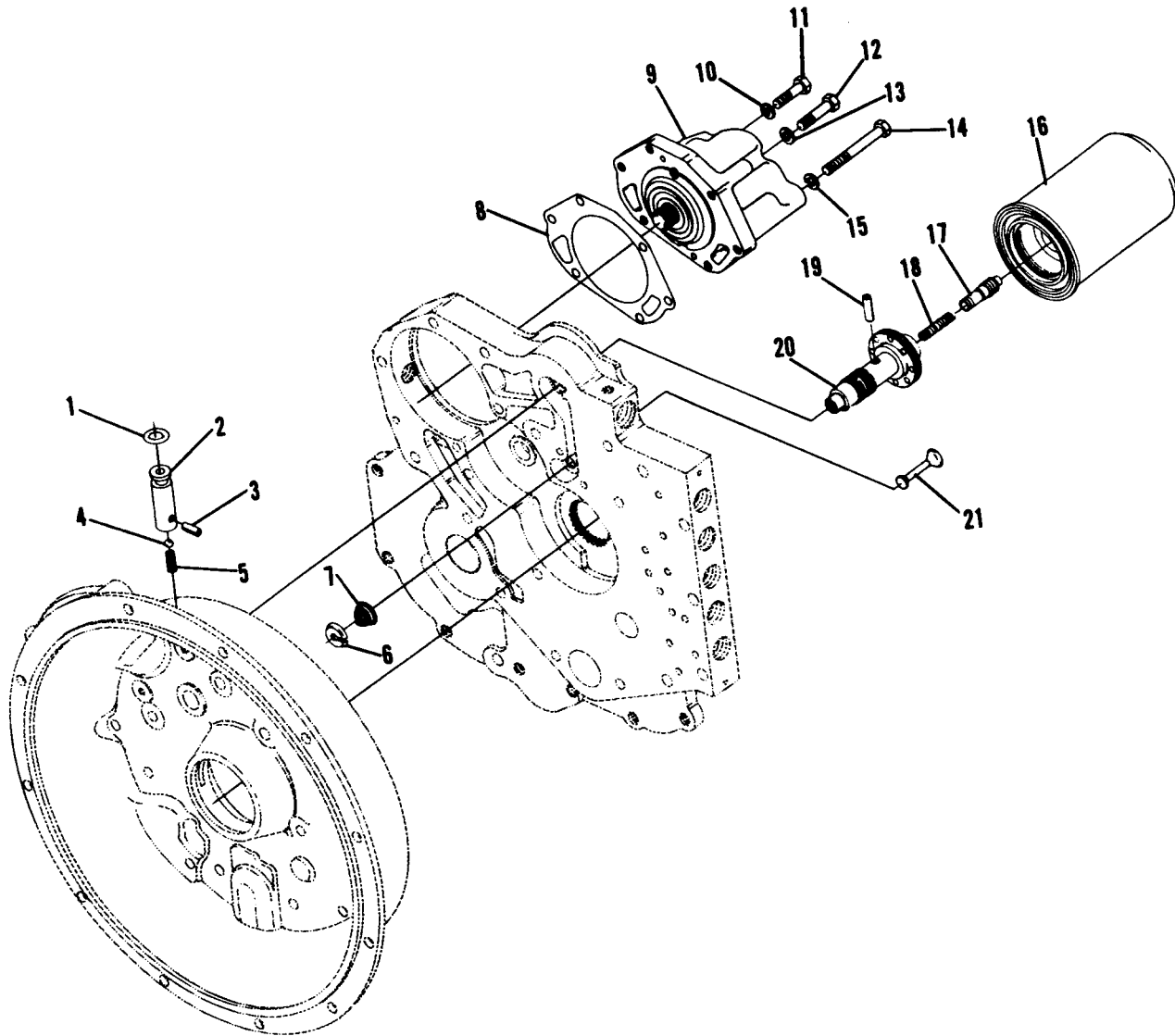
Ref. No.	Part No.	Description	Qty. Req.	Ref. No.	Part No.	Description	Qty. Req.
01	L98188	Plug Snap Ring . . . . .	1	12	L98199	Impeller Hub Gear (35T). . . . .	1
02	L98189	Torque Converter Plug . . . . .	1	13	L98200	Stator Support Snap Ring. . . . .	1
03	L98190	Torque Converter Plug "O" Ring . . . . .	1	14	L98201	Stator Support Piston Ring . . . . .	1
04	L98191	Impeller Hub Snap Ring . . . . .	1	15	L98202	Stator Support Piston . . . . .	1
05	L98192	Torque Converter Asy. . . . .	1			Ring Expander	
06	L98191	Impeller Hub Snap Ring . . . . .	1	16	L99255	Stator Support Asy . . . . .	1
07	L98194	Conv. Hsg. Oil Seal . . . . .	1			(Inc. Item 17 & 20)	
08	L98195	Oil Distributor Ring "O"Ring . . . . .	1	17	L98204	Bushing (Inc. in Item 16) . . . . .	1
09	L98196	Oil Distributor Ring . . . . .	1	18	L98205	Impeller Hub Gear Washer . . . . .	1
10	L98195	Oil Distributor Ring "O"Ring . . . . .	1	19	L98206	Stator Support Snap Ring. . . . .	1
11	L98198	Torque Conv. Bearing. . . . .	1	20	L98197	Bearing (Inc. In Item #16). . . . .	1

**Pump Drive Group**



Ref. No.	Part No.	Description	Qty. Req.	Ref. No.	Part No.	Description	Qty. Req.
01	L98942	Pump Drive Idler Thrust Washer . . .	1	05	L98942	Pump Drive Idler Thrust Washer . . .	1
02	L98943	Idler Gear Bearing . . . . .	1	06	L98212	Pump Drive Gear Ret Snap Ring . .	1
03	L98944	Pump Drive Idler Gear (31T) . . . . .	1	07	L98211	Pump Drive Gear (34T) . . . . .	1
04	L98945	Pump Drive Idler Shaft & Pin Asy. . .	1	08	L98947	Roll Pin (Incl. in Item #4) . . . . .	1
		(Incl. Item #8)					

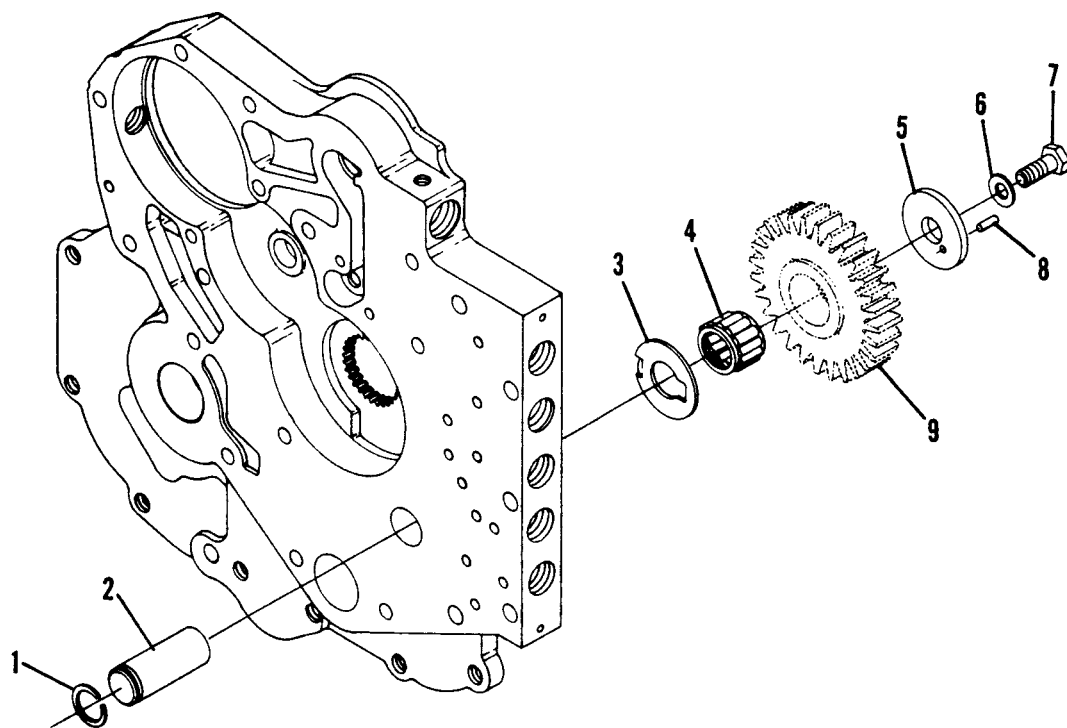
*Charge Pump w/Filter Group*



***Charge Pump w/Filter Group***

<b>Ref. No.</b>	<b>Part No.</b>	<b>Description</b>	<b>Qty. Req.</b>	<b>Ref. No.</b>	<b>Part No.</b>	<b>Description</b>	<b>Qty. Req.</b>
01	L98193	"O"Ring . . . . .	1	12	L99026	Pump Mtg. Screw. . . . .	1
02	L98213	Ball Check Valve Asy. . . . .	1	13	L99022	Pump Mtg. Screw Lockwasher . . . .	1
		(Inc. Items 1 thru 5)		14	L99028	Pump Mtg. Screw. . . . .	1
03	L98214	Pin . . . . .	1	15	L99030	Pump Mtg. Screw Lockwasher . . . .	1
04	L98215	Ball . . . . .	1	16	L99184	Filter Assembly. . . . .	1
05	L98216	Spring . . . . .	1	17	L98222	Piston . . . . .	1
06	L98217	Poppet Washer . . . . .	1	18	L98223	Spring . . . . .	1
07	L98218	Spring . . . . .	1	19	L98224	Pin . . . . .	1
08	L98219	Charging Pump Gasket . . . . .	1	20	L98225	Sleeve . . . . .	1
09	L98220	Charging Pump . . . . .	1	21	L98226	Safety Valve Poppet. . . . .	1
10	L99022	Pump Mtg. Screw Lockwasher . . . .	1	22	L98277	Regulator Valve Asy. . . . .	1
11	L99024	Pump Mtg. Scew . . . . .	1			(Inc. Items 17 - 20)	

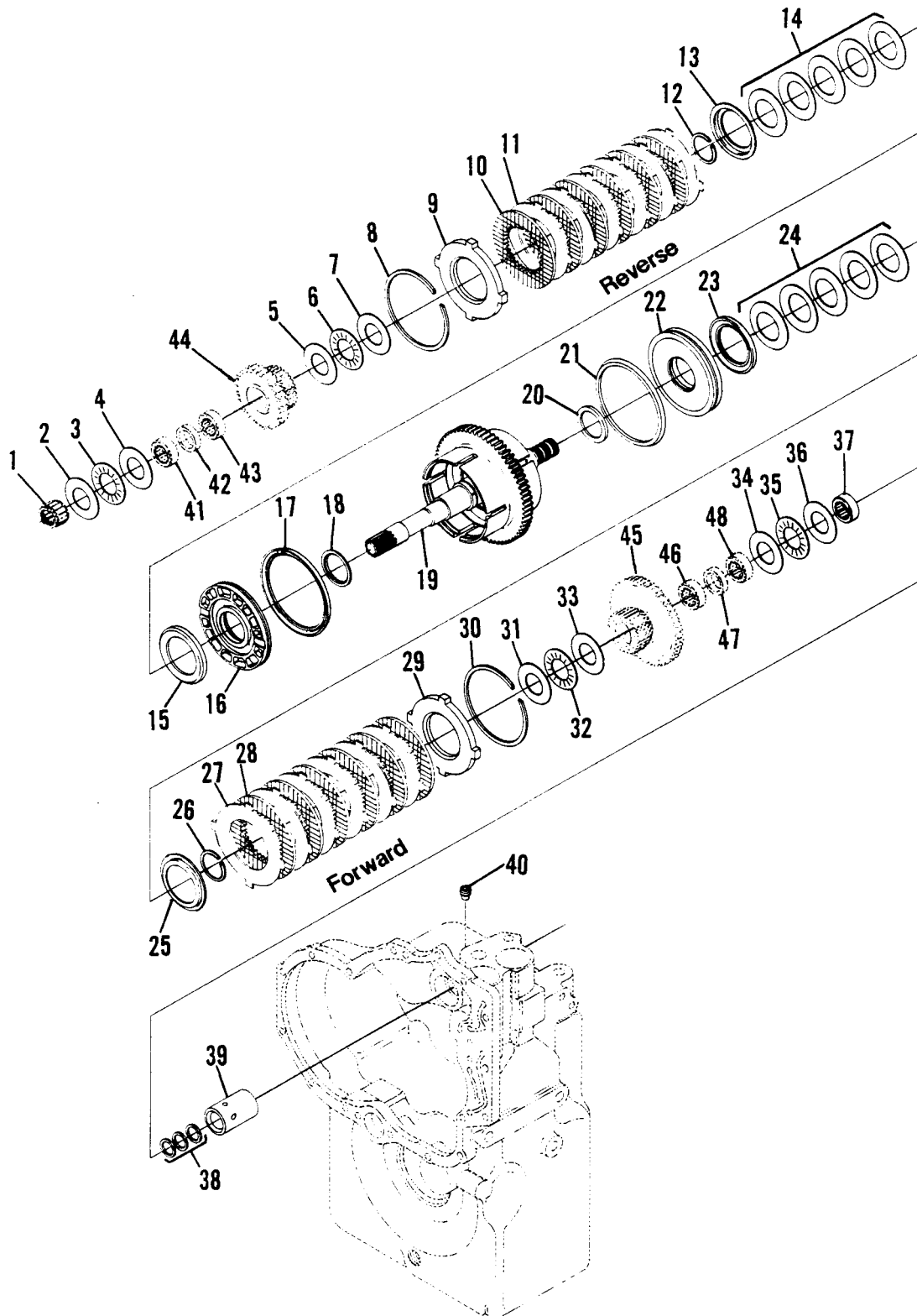
*Reverse Idler Group*



***Reverse Idler Group***

<b>Ref. No.</b>	<b>Part No.</b>	<b>Description</b>	<b>Qty. Req.</b>	<b>Ref. No.</b>	<b>Part No.</b>	<b>Description</b>	<b>Qty. Req.</b>
01	L98228	Idler Shaft Snap Ring . . . . .	1	06	L99032	End Plate Capscrew Washer . . . . .	1
02	L98229	Idler & Pilot Shaft . . . . .	1	07	L99031	Rev. Idler End Plate Capscrew . . . . .	1
03	L98230	Thrust Washer . . . . .	1	08	L98233	End Plate to Shaft Roll Pin . . . . .	1
04	L98231	Reverse Idler Gear Bearing . . . . .	1	09	L99256	Reverse Idler Gear . . . . .	1
05	L98232	End Plate . . . . .	1			<i>(See Special Parts Group)</i>	

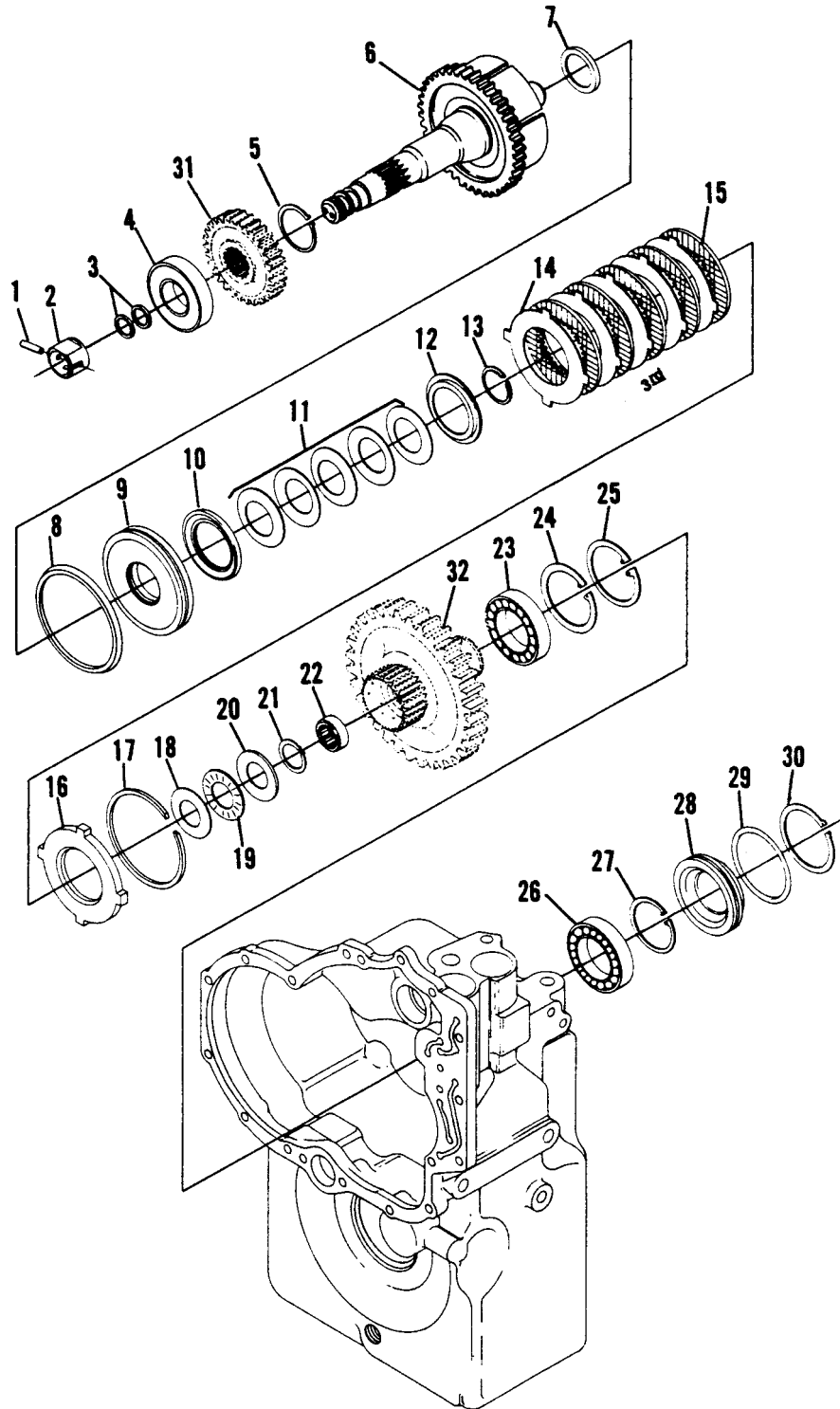
### Forward & Reverse Shaft Group



***Forward & Reverse Shaft Group***

Ref. No.	Part No.	Description	Qty. Req.	Ref. No.	Part No.	Description	Qty. Req.
01		Turbine Shaft Front Bearing (See Converter Group)		26	L98241	Retainer Snap Ring . . . . .	1
02	L98235	Clutch Gear Thrust Washer . . . . .	1	27	L98240	Outer Disc - Forward Clutch . . . . .	6
03	L98236	Clutch Gear Thrust Washer Brg. . . . .	1	28	L98239	Inner Disc - Forward Clutch . . . . .	6
04	L98235	Clutch Gear Thrust Washer . . . . .	1	29	L98238	End Plate . . . . .	1
05	L98235	Clutch Gear Thrust Washer . . . . .	1	30	L98237	End Plate Snap Ring . . . . .	1
06	L98236	Clutch Gear Thrust Washer Brg. . . . .	1	31	L98235	Clutch Gear Thrust Washer . . . . .	1
07	L98235	Clutch Gear Thrust Washer . . . . .	1	32	L98236	Clutch Gear Thrust Washer Brg. . . . .	1
08	L98237	End Plate Snap Ring . . . . .	1	33	L98235	Clutch Gear Thrust Washer . . . . .	1
09	L98238	End Plate . . . . .	1	34	L98235	Clutch Gear Thrust Washer . . . . .	1
10	L98239	Inner Disc-Reverse Clutch . . . . .	6	35	L98236	Clutch Gear Thrust Washer Brg. . . . .	1
11	L98240	Outer Disc-Reverse Clutch . . . . .	6	36	L98235	Clutch Gear Thrust Washer . . . . .	1
12	L98241	Retainer Snap Ring . . . . .	1	37	L98249	Thrbine Shaft Rear Bearing . . . . .	1
13	L98242	Snap Ring Retainer . . . . .	1	38	L98250	Piston Ring . . . . .	3
14	L98243	Disc Washer (Spring) Asy. . . . .	5	39	L98251	Oil Distributor Sleeve . . . . .	1
15	L98244	Clutch Piston Wear Plate . . . . .	1	40	L98252	Retainer Screw . . . . .	1
16	L98245	Clutch Piston . . . . .	1	41	L98253	Bearing . . . . .	1
17	L98246	Clutch Piston . . . . .	1	42	L98254	Spacer . . . . .	1
18	L98247	Clutch Piston Seal - Inner. . . . .	1	43	L98253	Bearing . . . . .	1
19	L98248	Turbine Shaft Drum & Plug Asy. . . . .	1	44	L99255	Fwd. Clutch Gear & Brg. Asy. . . . . (Incl. Items 41 thru 43)	1
20	L98247	Clutch Piston Seal - Inner. . . . .	1	45	L99257	Rev. Clutch Gear & Brg. Asy. . . . . (Incl. Items 46 thru 48)	1
21	L98246	Clutch Piston Seal - Outer . . . . .	1	46	L99253	Bearing . . . . .	1
22	L98245	Clutch Piston . . . . .	1	47	L98254	Spacer - See <i>Special Parts Sect.</i> . . .	1
23	L98244	Clutch Piston Wear Plate . . . . .	1	48	L98253	Bearing - See <i>Special Parts Sect.</i> . . .	1
24	L98243	Disc Washer (Spring) Asy. . . . .	5				
25	L98242	Snap Ring Retainer . . . . .	1				

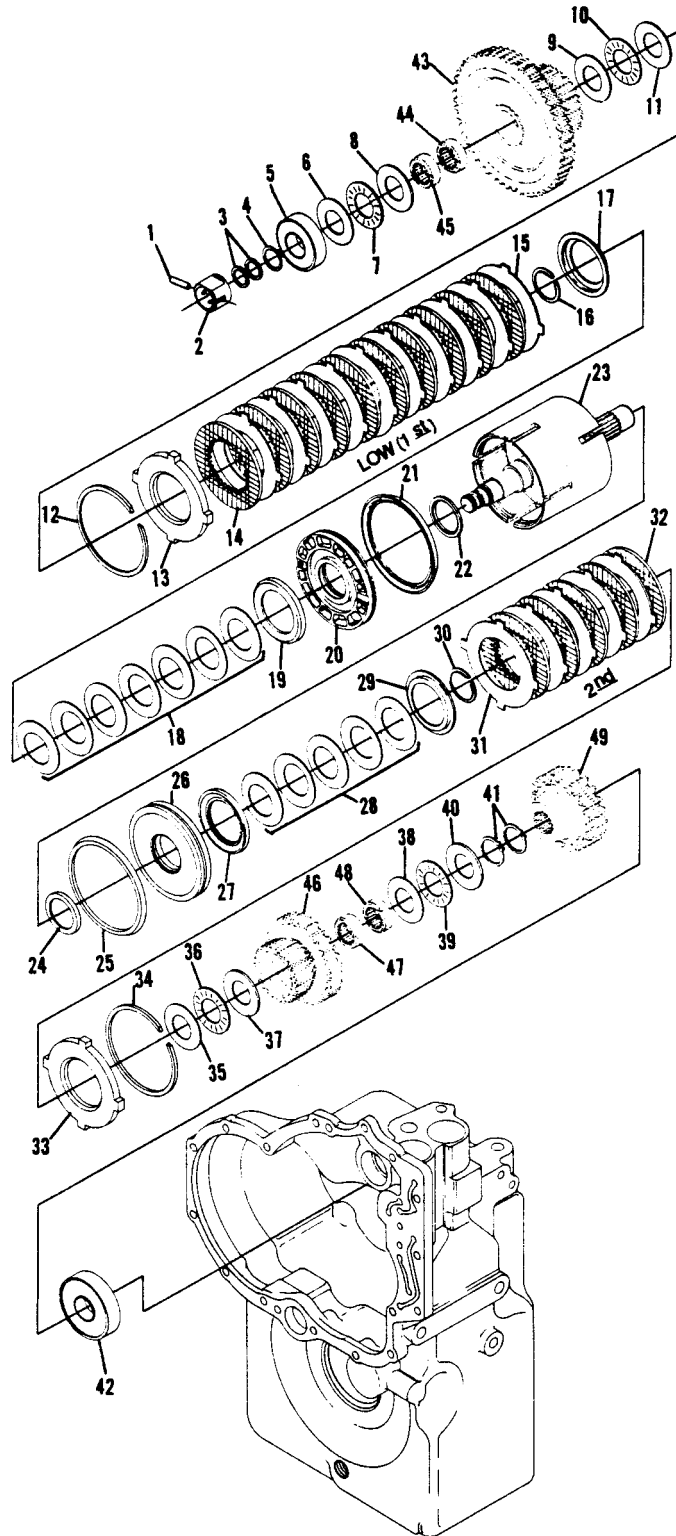
### 3rd & Output Shaft Group



***3rd & Output Shaft Group***

<b>Ref. No.</b>	<b>Part No.</b>	<b>Description</b>	<b>Qty. Req.</b>	<b>Ref. No.</b>	<b>Part No.</b>	<b>Description</b>	<b>Qty. Req.</b>
01	L98257	Sleeve Locating Screw . . . . .	1	17	L98237	End Plate Snap Ring . . . . .	1
02	L98258	Oil Distributor Sleeve . . . . .	1	18	L98235	Clutch Gear Thrust Washer . . . . .	1
03	L98250	Piston Ring . . . . .	2	19	L98236	Clutch Gear Thrust Washer Brg. . . . .	1
04	L98259	Bearing & Seal Asy. . . . .	1	20	L98235	Clutch Gear Thrust Washer . . . . .	1
05	L98260	Gear Hub Snap Ring . . . . .	1	21	L98271	Thrust Washer Ret. Snap Ring . . . . .	1
06	L98261	3rd Shaft, Drum, & Plug Asy. . . . .	1	22	L98263	3rd Clutch Gear Bearing. . . . .	1
07	L98247	Clutch Piston Inner Seal . . . . .	1	23	L99039	Rear Bearing . . . . .	1
08	L98246	Clutch Piston Outer Seal . . . . .	1	24	L98264	Rear Bearing Ret. Snap Ring . . . . .	1
09	L98262	Clutch Piston & Ball Seat Asy. . . . .	5	25	L98264	Output Shaft Brg. Snap Ring . . . . .	1
10	L98244	Clutch Piston Wear Plate . . . . .	1	26	L98282	Output Shaft Bearing . . . . .	1
11	L98243	Disc Washer (Spring) Asy. . . . .	5	27	L98266	Output Shaft Brg. Ret. Snap Ring. . . . .	1
12	L98242	Snap Ring Retainer . . . . .	1	28	L98267	Plug - Capped End. . . . .	1
13	L98241	Retainer Snap Ring . . . . .	1	29	L98268	Oil Seal Sleeve "0" Ring. . . . .	1
14	L98240	Outer Disc - 3rd Clutch. . . . .	5	30	L98264	Output Shaft Brg. Snap Ring . . . . .	1
15	L98239	Inner disc - 3rd Clutch . . . . .	5	31	L99258	1st Drive Gear . . . . .	1
16	L98238	End Plate. . . . .	1	32	L98270	3rd Gear & Shaft . . . . .	1

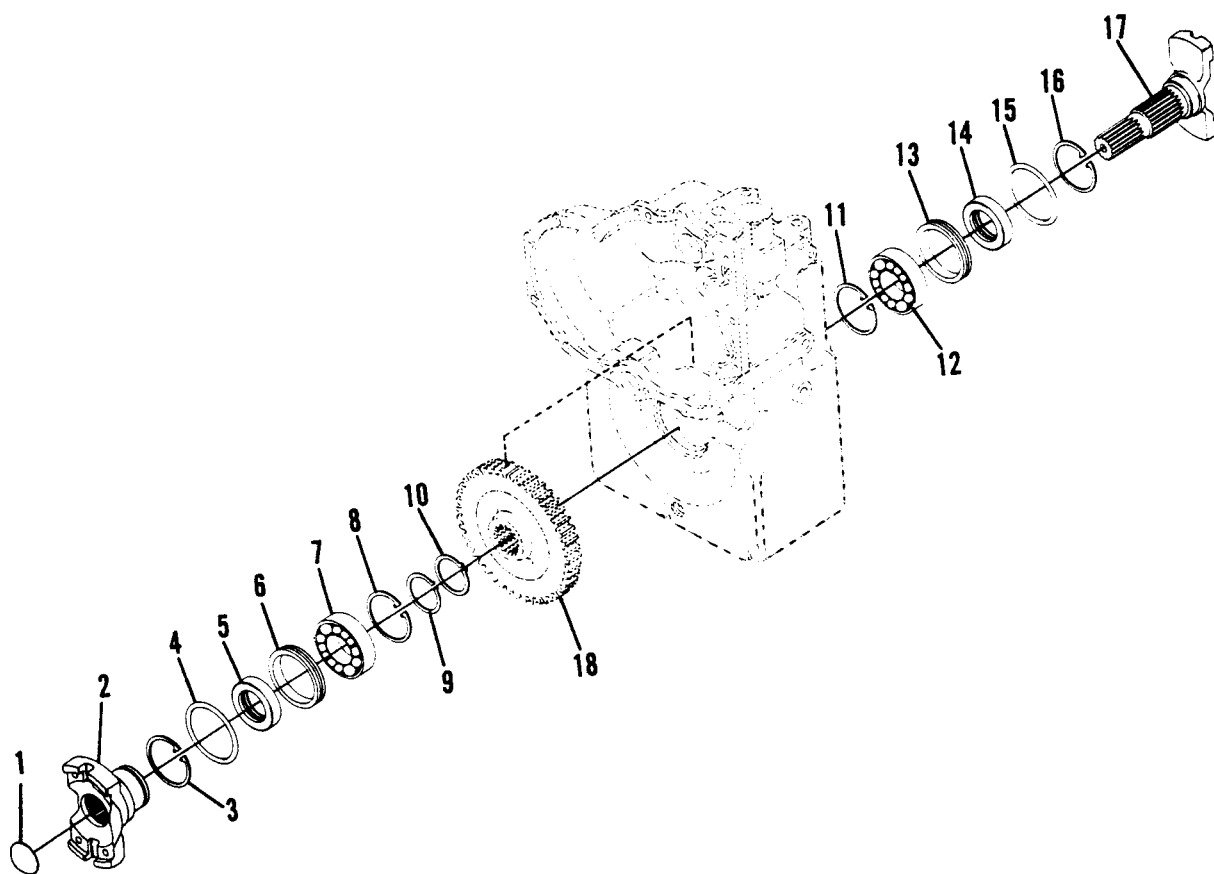
### 1st & 2nd Shaft Group



**1st & 2nd Shaft Group**

Ref. No.	Part No.	Description	Qty. Req.	Ref. No.	Part No.	Description	Qty. Req.
01	L98257	Sleeve Locating Screw . . . . .	1	27	L98244	Clutch Piston Wear Plate . . . . .	1
02	L98272	Oil Distributor Sleeve . . . . .	1	28	L98243	2nd Clutch Disc Spring Asy. . . . .	5
03	L98250	Piston Ring . . . . .	2	29	L98242	Snap Ring Retainer . . . . .	1
04	L99273	Bearing Ret. Snap Ring . . . . .	1	30	L98241	Retainer Snap Ring . . . . .	1
05	L98259	Bearing & Seal Asy. . . . .	1	31	L98240	Outer Disc - 2nd Clutch . . . . .	5
06	L98235	Clutch Gear Thrust Washer . . . . .	1	32	L98239	Inner Disc - 2nd Clutch. . . . .	5
07	L98236	Clutch Gear Thrust Washer Brg. . . . .	1	33	L98238	End Plate . . . . .	1
08	L98235	Clutch Gear Thrust Washer . . . . .	1	34	L98237	End Plate Snap Ring . . . . .	1
09	L98235	Clutch Gear Thrust Washer . . . . .	1	35	L98235	Clutch Gear Thrust Washer . . . . .	1
10	L98236	Clutch Gear Thrust Washer Brg. . . . .	1	36	L98236	Clutch Gear Thrust Washer Brg. . . . .	1
11	L98235	Clutch Gear Thrust Washer . . . . .	1	37	L98235	Clutch Gear Thrust Washer . . . . .	1
12	L98237	End Plate Snap Ring . . . . .	1	38	L98235	Clutch Gear Thrust Washer . . . . .	1
13	L98238	End Plate . . . . .	1	39	L98236	Clutch Gear Thrust Washer Brg. . . . .	1
14	L98239	Inner Disc - 1st Clutch . . . . .	10	40	L98235	Clutch Gear Thrust Washer . . . . .	1
15	L98240	Outer Disc - 1st Clutch . . . . .	10	41	L98260	2nd Clutch Gear Hub Snap Ring . . . . .	2
16	L98241	Retainer Snap Ring . . . . .	1	42	L98275	Rear Bearing . . . . .	1
17	L98242	Snap Ring Retainer . . . . .	1	43	L99259	1st Clutch Gear & Brg. Asy. . . . .	1
18	L98243	1st Clutch Disc Spring Asy. . . . .	7			(Incl. Items 44,45)	
19	L98244	Clutch Piston Wear plate . . . . .	1	44	L98253	Bearing . . . . .	1
20	L99038	Clutch Piston . . . . .	1	45	L98253	Bearing . . . . .	1
21	L98246	Clutch Piston Seal - Outer . . . . .	1	46	L98276	2nd Clutch Gear & Brg. Assy. . . . .	1
22	L98247	Clutch Piston Seal - Inner. . . . .	1			(Incl. Items 47,48)	
23	L98274	1st & 2nd Shaft, Drum & Plug Asy. . . . .	1	47	L98253	Bearing . . . . .	1
24	L98247	Clutch Piston Seal - Inner. . . . .	1	48	L98253	Bearing . . . . .	1
25	L98246	Clutch Piston Seal - Outer . . . . .	1	49	L98277	3rd Driven Gear . . . . .	1
26	L99038	Clutch Piston . . . . .	1				

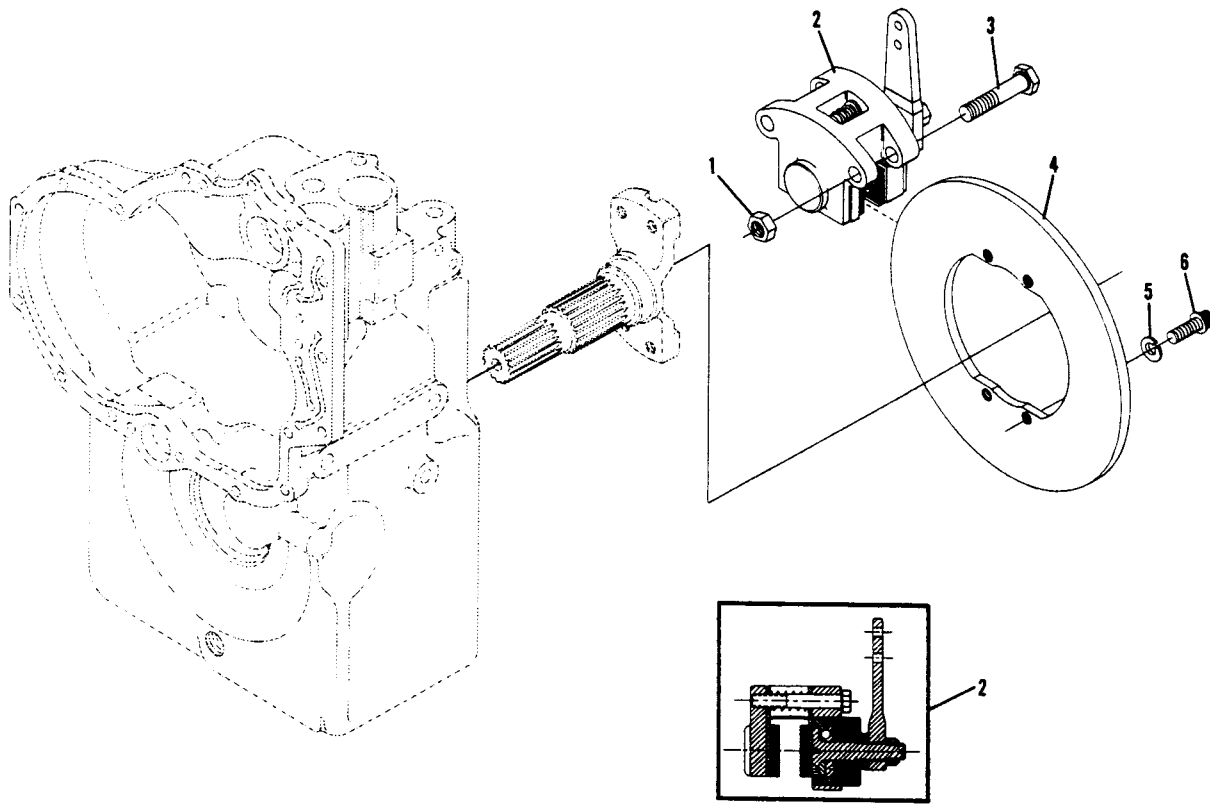
*Output Shaft Group*



***Output Shaft Group***

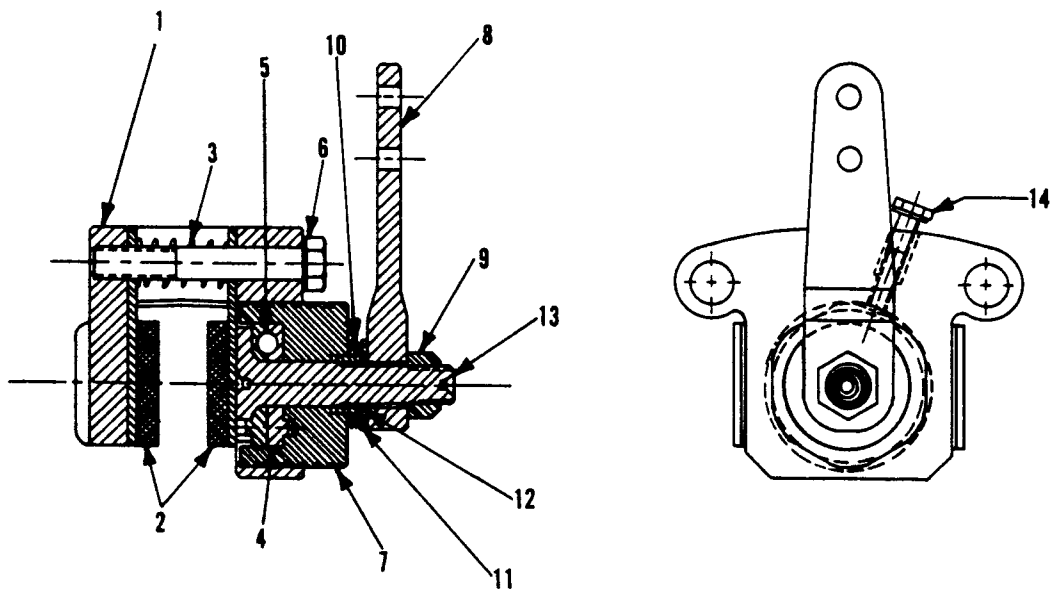
<b>Ref. No.</b>	<b>Part No.</b>	<b>Description</b>	<b>Qty. Req.</b>	<b>Ref. No.</b>	<b>Part No.</b>	<b>Description</b>	<b>Qty. Req.</b>
01	L98278	Flange Plug . . . . .	1	10	L98266	Gear Retaining Ring . . . . .	1
02	L98279	Output Flange & Plug Asy. . . . . (Inc. Item 1)	1	11	L98264	Output Shaft Brg. "O"Ring . . . . .	1
03	L98264	Output Shaft Brg. Snap Ring . . . . .	1	12	L98282	Output Shaft Bearing . . . . .	1
04	L98268	Oil Seal Sleeve "O"Ring . . . . .	1	13	L98281	Oil Seal Sleeve . . . . .	1
05	L96053	Output Shaft Oil Seal . . . . .	1	14	L96053	Output Shaft Oil Seal . . . . .	1
06	L98281	Oil Seal Sleeve . . . . .	1	15	L98268	Output Shaft Sleeve "O"Ring . . . . .	1
07	L98282	Output Shaft Bearing . . . . .	1	16	L98264	Output Shaft Brg. "O"Ring . . . . .	1
08	L98264	Output Shaft Brg. Snap Ring . . . . .	1	17	L98283	Output Shaft & Brake Flange (SC) . . . . .	1
09	L98260	Flange Retaining Ring . . . . .	1	18	L98284	Output Shaft Gear . . . . .	1

**Disc Brake Group**



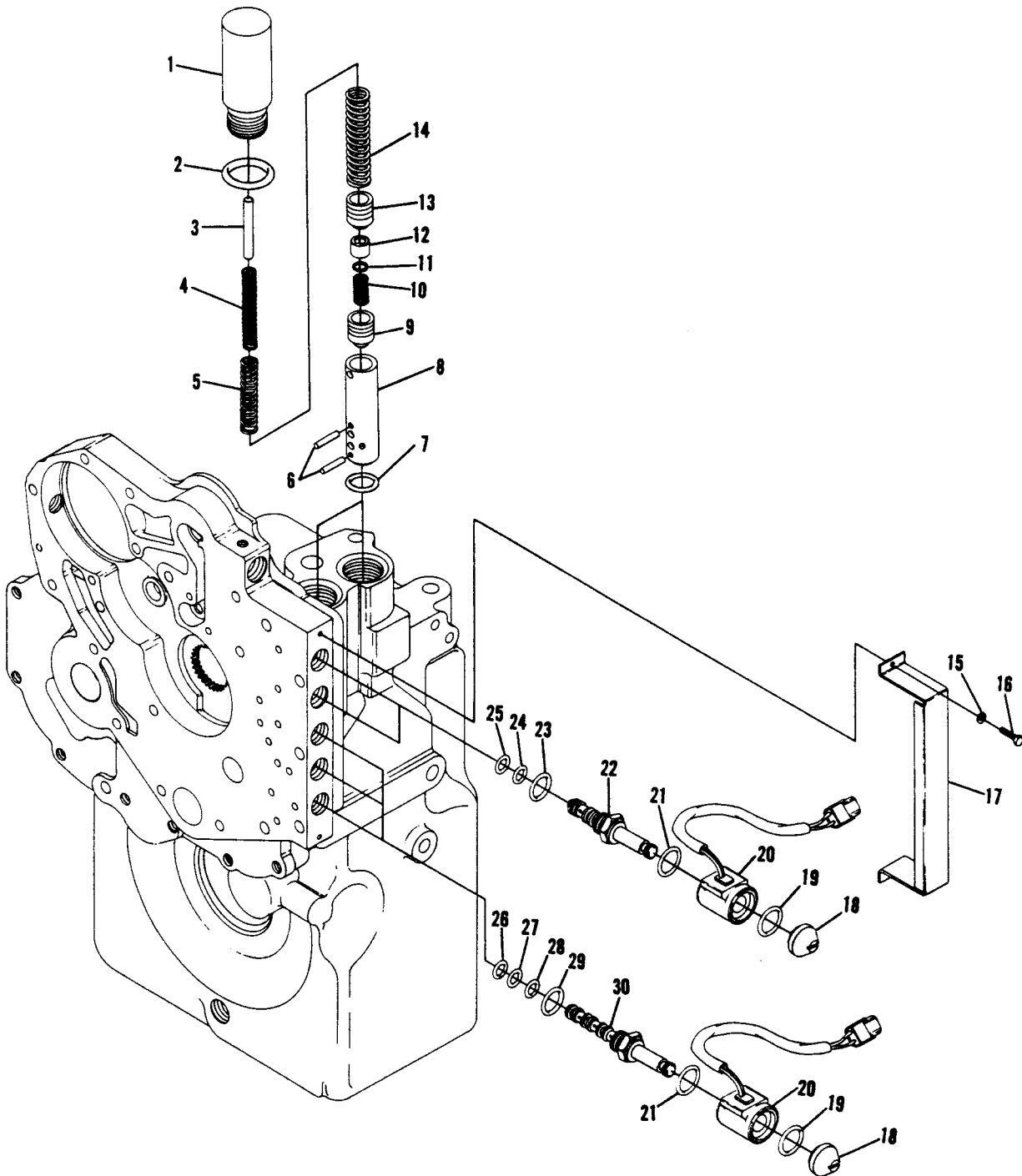
Ref. No.	Part No.	Description	Qty. Req.	Ref. No.	Part No.	Description	Qty. Req.
01	L99040	Caliper Asy. Capscrew Lock Nut . . .	2	04	L98287	Brake Disc . . . . .	1
02	L98970	Caliper Brake Asy. (See Parts List) .	1	05	L99042	Brake Disc Capscrew Lockwasher .	4
03	L99041	Caliper Assy. Mtg. Capscrew . . . . .	2	06	L99043	Brake Disc Capscrew . . . . .	4

**Brake Caliper Assembly**



Ref. No.	Part No.	Description	Qty. Req.	Ref. No.	Part No.	Description	Qty. Req.
01	NSS	Housing		11	NSS	Retainer	
02	L98288	Lining Kit . . . . .	1	12	NSS	Retainer Ring	
03	NSS	Spring		13	NSS	Piston	
04	NSS	Cam Plate		14	NSS	Capscrew	
05	NSS	Ball		15	L98290	Piston & Module Assy. Kit. . . . .	1
06	NSS	Capscrew				(Incl. Items 4,5,7 Thru 13)	
07	NSS	Body		16	L98285	Ball & Cam Repair Kit . . . . .	1
08	L98289	Lever . . . . .	1			(Incl. Items 4,5)	
09	NSS	Nut		17	L98970	Calpier Assy. . . . .	1
10	NSS	Belleville Spring				(Incl. Items 1 thru 14)	

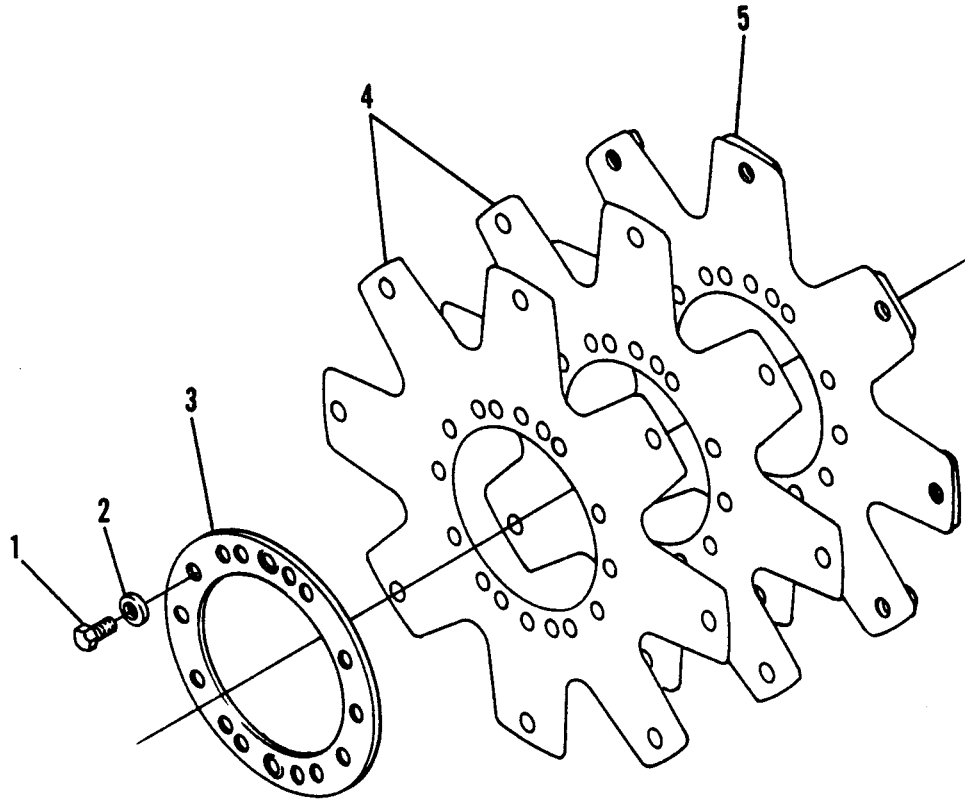
**Electric Control w/Modulation Group**



***Electric Control w/Modulation Group***

<b>Ref. No.</b>	<b>Part No.</b>	<b>Description</b>	<b>Qty. Req.</b>	<b>Ref. No.</b>	<b>Part No.</b>	<b>Description</b>	<b>Qty. Req.</b>
01	L98291	Modulator Valve Housing . . . . .	1	20	L98308	Solenoid Coil - 12 Volt . . . . .	4
02	L98292	Modulator Housing "O" Ring . . . . .	1	21	L98307	Coil to Cartridge "O"Ring . . . . .	4
03	L98293	Stop Pin . . . . .	1	22	L98309	Valve Certridge, 2 Way. . . . .	2
04	L98294	Spring - Inner . . . . .	1			Used at Rev, & Fwd.	
05	L98295	Spring - Middle . . . . .	1			(incl. Items 23,24,25)	
06	L98296	Upper Pin. . . . .	2	23	L98310	Cartridge "O"Ring. . . . .	2
07	L98297	Sleeve "O"Ring . . . . .	1	24	L98311	Cartridge "O"Ring. . . . .	2
08	L98298	Modulation Housing Sleeve . . . . .	1	25	L98313	Cartridge "O"Ring. . . . .	2
09	L98299	Regulator Spool . . . . .	1	26	L98313	Cartridge "O"Ring. . . . .	3
10	L98300	Spring . . . . .	1	27	L98312	Cartridge "O"Ring. . . . .	2
11	L98301	Spring Spacer. . . . .	1	28	L98311	Cartridge "O"Ring. . . . .	3
12	L98302	Spring Retainer . . . . .	1	29	L98310	Cartridge "O"Ring. . . . .	3
13	L98303	Accumulator Spool . . . . .	1	30	L98314	Valve Cartridge, 4 Way. . . . .	2
14	L98304	Spring - Outer . . . . .	1			Used at 1st & 2nd - 3rd	
15	L99034	Cover Screw Lockwasher. . . . .	2			(Incl. Items 26-29)	
16	L99035	Cover Screw . . . . .	2	30A	L98315	Solenoid Bore Plug . . . . .	1
17	L98305	Protective Cover. . . . .	1			Used at Fwd.-Hi & Low	
18	L99036	Valve Cartridge Retainer Nut . . . . .	4			(Incl. (1) of Itmes 26,28,29)	
19	L98307	Nut to Coil "O, Ring. . . . .	4				

**Drive Plate Group**



Ref. No.	Part No.	Description	Qty. Req.	Ref. No.	Part No.	Description	Qty. Req.
01	L99033	Drive Plate Mounting Screw . . . . .	6	04	NSS	Drive Plate - (Incl. In Item #5)	
02	L99030	Drive Plate Mounting Screw Lockwasher . . . . .	6	05	L98317	Drive Plate Asy. Kit (Incl. Items 1 thru 4) . . . . .	1
03	L97516	Drive Plate Backing Ring . . . . .	1				

***Numerical Index***

<b>Part No.</b>	<b>Page No.</b>	<b>Ref. No.</b>	<b>Part No.</b>	<b>Page No.</b>	<b>Ref. No.</b>	<b>Part No.</b>	<b>Page No.</b>	<b>Ref. No.</b>	<b>Part No.</b>	<b>Page No.</b>	<b>Ref. No.</b>
L94824	1-7	15	L98228	1-13	01	L98240	1-19	31	L98253	1-3	47
L96053	1-21	14	L98229	1-13	02	L98240	1-15	27	L98253	1-15	46
L96053	1-21	05	L98230	1-13	03	L98241	1-19	16	L98253	1-15	41
L97508	1-5	03	L98231	1-13	04	L98241	1-15	26	L98253	1-3	45
L97516	1-26	03	L98232	1-13	05	L98241	1-15	12	L98253	1-15	43
L98176	1-7	25	L98233	1-13	08	L98241	1-19	30	L98253	1-3	44
L98177	1-7	27	L98235	1-15	33	L98241	1-17	13	L98254	1-15	47
L98178	1-7	03	L98235	1-15	34	L98242	1-15	25	L98254	1-3	47
L98179	1-7	06	L98235	1-15	36	L98242	1-19	17	L98254	1-15	42
L98180	1-7	08	L98235	1-15	02	L98242	1-19	29	L98254	1-3	42
L98181	1-7	10	L98235	1-15	31	L98242	1-15	13	L98255	1-3	44
L98182	1-7	14	L98235	1-15	07	L98242	1-17	12	L98255	1-15	44
L98184	1-7	21	L98235	1-15	05	L98243	1-15	14	L98257	1-19	01
L98185	1-7	22	L98235	1-15	04	L98243	1-19	28	L98257	1-17	01
L98186	1-5	04	L98235	1-17	18	L98243	1-15	24	L98257	1-15	45
L98187	1-5	05	L98235	1-17	20	L98243	1-19	28	L98258	1-17	02
L98188	1-8	01	L98235	1-19	40	L98243	1-17	11	L98259	1-17	04
L98189	1-8	02	L98235	1-19	06	L98244	1-19	27	L98259	1-19	05
L98190	1-8	03	L98235	1-19	08	L98244	1-15	23	L98260	1-19	41
L98191	1-8	06	L98235	1-19	09	L98244	1-15	15	L98260	1-21	09
L98191	1-8	04	L98235	1-19	11	L98244	1-17	10	L98260	1-17	05
L98192	1-8	05	L98235	1-19	38	L98244	1-19	19	L98261	1-17	06
L98193	1-11	01	L98235	1-19	37	L98245	1-15	22	L98262	1-17	09
L98194	1-8	07	L98235	1-19	35	L98245	1-15	16	L98263	1-17	22
L98195	1-8	10	L98236	1-19	36	L98246	1-19	25	L98264	1-21	11
L98195	1-8	08	L98236	1-15	32	L98246	1-15	17	L98264	1-21	08
L98196	1-8	09	L98236	1-19	10	L98246	1-17	08	L98264	1-21	03
L98197	1-8	20	L98236	1-19	07	L98246	1-15	21	L98264	1-17	25
L98198	1-8	11	L98236	1-15	06	L98246	1-19	21	L98264	1-17	24
L98199	1-8	12	L98236	1-15	03	L98247	1-19	22	L98264	1-21	16
L98200	1-8	13	L98236	1-17	19	L98247	1-19	24	L98264	1-17	30
L98201	1-8	14	L98236	1-19	39	L98247	1-17	07	L98266	1-21	10
L98202	1-8	15	L98236	1-15	35	L98247	1-15	20	L98266	1-17	27
L98204	1-8	17	L98237	1-19	34	L98247	1-15	18	L98267	1-17	28
L98205	1-8	18	L98237	1-15	30	L98248	1-15	19	L98268	1-21	15
L98206	1-8	19	L98237	1-19	12	L98249	1-15	37	L98268	1-21	04
L98211	1-9	07	L98237	1-15	08	L98250	1-15	38	L98268	1-17	29
L98212	1-9	06	L98237	1-17	17	L98250	1-19	03	L98270	1-3	32
L98213	1-11	02	L98238	1-15	09	L98250	1-17	03	L98270	1-17	32
L98214	1-11	03	L98238	1-17	16	L98251	1-15	39	L98271	1-17	21
L98215	1-11	04	L98238	1-15	29	L98252	1-15	40	L98272	1-19	02
L98216	1-11	05	L98238	1-19	33	L98253	1-3	48	L98273	1-19	04
L98217	1-11	06	L98238	1-19	13	L98253	1-15	48	L98274	1-19	23
L98218	1-11	07	L98239	1-19	32	L98253	1-3	48	L98275	1-19	42
L98219	1-11	08	L98239	1-15	10	L98253	1-19	44	L98276	1-3	46
L98220	1-11	09	L98239	1-15	28	L98253	1-19	45	L98276	1-19	46
L98222	1-11	17	L98239	1-19	14	L98253	1-19	47	L98277	1-3	49
L98223	1-11	18	L98239	1-17	15	L98253	1-19	48	L98277	1-11	22
L98224	1-11	19	L98240	1-17	14	L98253	1-3	46	L98277	1-19	49
L98225	1-11	20	L98240	1-19	15	L98253	1-3	43	L98278	1-21	01
L98226	1-11	21	L98240	1-15	11	L98253	1-3	41	L98279	1-21	02

***Numerical Index***

<b>Part No.</b>	<b>Page No.</b>	<b>Ref. No.</b>	<b>Part No.</b>	<b>Page No.</b>	<b>Ref. No.</b>	<b>Part No.</b>	<b>Page No.</b>	<b>Ref. No.</b>
L98281	1-21	06	L98970	1-23	17	L99255	1-8	16
L98281	1-21	13	L99013	1-7	19	L99256	1-13	09
L98282	1-17	26	L99015	1-7	09	L99256	1-3	09
L98282	1-21	07	L99022	1-11	13	L99257	1-3	45
L98282	1-21	12	L99022	1-11	10	L99258	1-17	31
L98283	1-21	17	L99024	1-11	11	L99258	1-3	31
L98284	1-3	18	L99026	1-11	12	L99259	1-19	43
L98284	1-21	18	L99028	1-11	14	L99259	1-3	43
L98285	1-23	16	L99029	1-7	30	L99267	1-7	17
L98287	1-22	04	L99029	1-5	09	L99283	1-7	11
L98288	1-23	02	L99029	1-7	28			
L98289	1-23	08	L99029	1-5	07			
L98290	1-23	15	L99029	1-7	24			
L98291	1-25	01	L99029	1-7	32			
L98292	1-25	02	L99029	1-5	11			
L98293	1-25	03	L99030	1-26	02			
L98294	1-25	04	L99030	1-11	15			
L98295	1-25	05	L99031	1-13	07			
L98296	1-25	06	L99032	1-13	06			
L98297	1-25	07	L99033	1-26	01			
L98298	1-25	08	L99034	1-25	15			
L98299	1-25	09	L99035	1-25	16			
L98300	1-25	10	L99036	1-25	18			
L98301	1-25	11	L99038	1-19	20			
L98302	1-25	12	L99038	1-19	26			
L98303	1-25	13	L99039	1-17	23			
L98304	1-25	14	L99040	1-22	01			
L98305	1-25	17	L99041	1-22	03			
L98307	1-25	21	L99042	1-22	05			
L98307	1-25	19	L99043	1-22	06			
L98308	1-25	20	L99044	1-7	29			
L98309	1-25	22	L99044	1-7	33			
L98310	1-25	23	L99044	1-5	12			
L98310	1-25	29	L99177	1-7	07			
L98311	1-25	28	L99184	1-11	16			
L98311	1-25	24	L99246	1-7	04			
L98312	1-25	27	L99246	1-7	11			
L98313	1-25	25	L99246	1-7	16			
L98313	1-25	26	L99246	1-5	06			
L98314	1-25	30	L99246	1-5	02			
L98315	1-25	30A	L99246	1-5	01			
L98317	1-26	05	L99247	1-5	08			
L98924	1-7	13	L99247	1-5	10			
L98924	1-7	02	L99248	1-7	01			
L98942	1-9	05	L99248	1-7	12			
L98942	1-9	01	L99249	1-7	05			
L98943	1-9	02	L99250	1-7	18			
L98944	1-9	03	L99251	1-7	20			
L98945	1-9	04	L99252	1-7	23			
L98947	1-9	08	L99253	1-7	26			
L98970	1-22	02	L99254	1-7	31			





**GEHL® CONSTRUCTION**

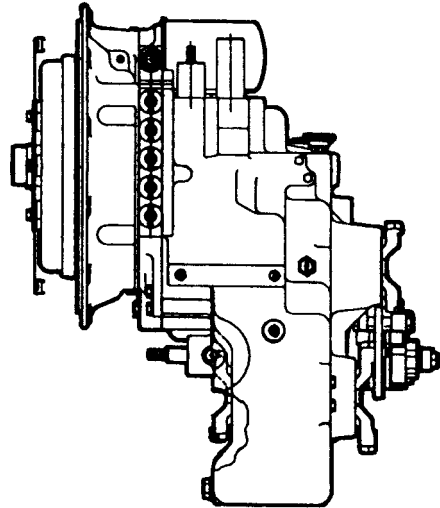
---

# **T12000**

## **Clark**

### **Transmission**

**Model No.**  
**1102T12363-11**



# **SERVICE PARTS**



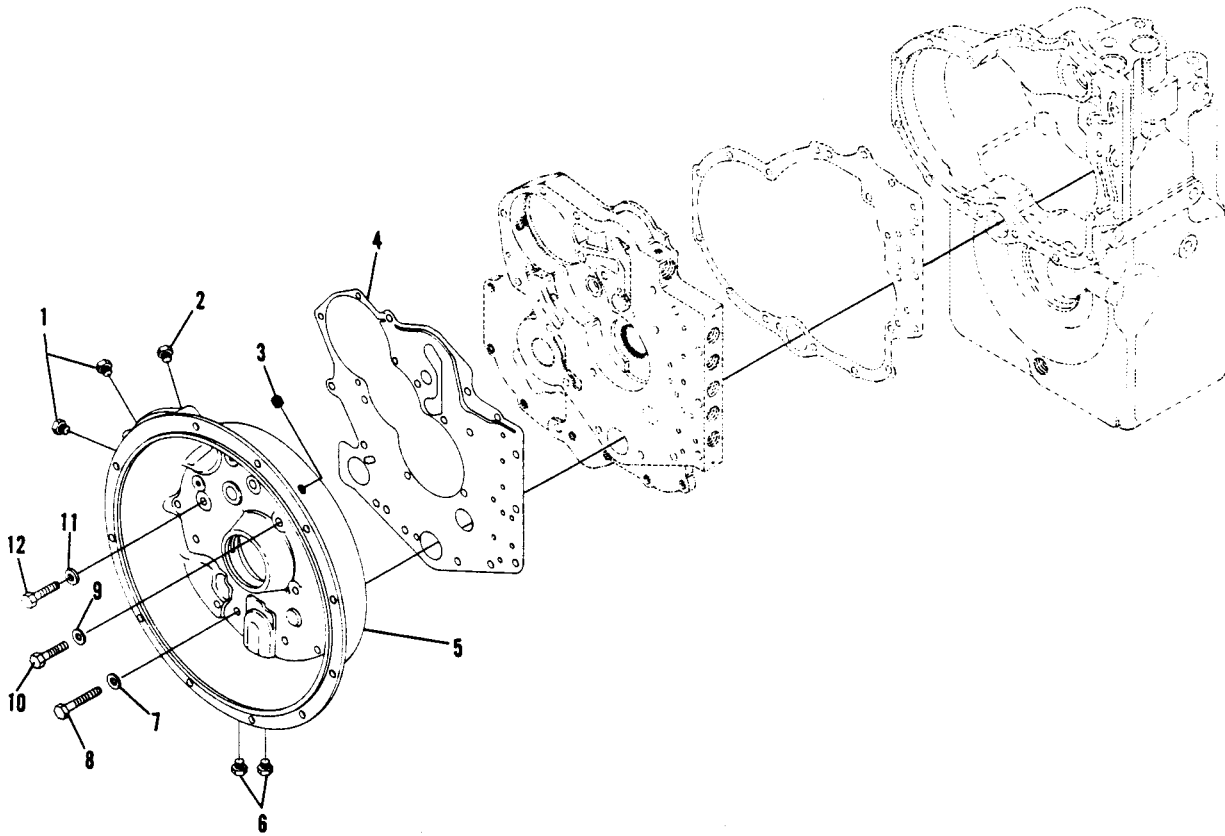
Section Contents . . . . . **2-1**  
\_\_\_\_\_ - Special Parts Group . . . . . **2-3**  
4224031 - Converter Housing Group . . . . . **2-4**  
4224040 - Case and Plate Group . . . . . **2-6**  
4224982 - Torque Converter Group . . . . . **2-8**  
267396 - Pump Drive Group . . . . . **2-9**  
4224064 - Charge Pump Group . . . . . **2-10**  
267079 - Reverse Idler Group . . . . . **2-12**  
4224984 - Forward/Reverse Shaft Group . . . . . **2-14**  
267185 - 3rd and Output Shaft Group . . . . . **2-16**  
267082 - 1st and 2nd Shaft Group . . . . . **2-18**  
267083 - Output Shaft Group . . . . . **2-20**  
267270 - Disc Brake Group . . . . . **2-22**  
4201407 - Brake Caliper Assembly . . . . . **2-23**  
4224059 - Electric Control With Modulation Group . . . . . **2-24**  
267086 - Drive Plate Group . . . . . **2-26**  
Numerical Index . . . . . **2-27**

**This Page Intentionally Blank**

***Special Parts Group***

Ref. No.	Part No.	Description	Qty. Req.	Ref. No.	Part No.	Description	Qty. Req.
<b>PAGE 12/13</b>				<b>PAGE 18/19</b>			
09	L98956	REV. IDLER GEAR (26T) . . . . .	1	43	L99259	1ST CLUTCH GEAR & BRG. ASY (Incl. Items 44,45) . . . . .	1
<b>PAGE 14/15</b>				44	L98253	BEARING. . . . .	1
41	L98253	REV. CLUTCH GEAR BRG. . . . .	1	45	L98253	BEARING. . . . .	1
42	L98254	REV. CLUTCH GEAR SPACER . . .	1	46	L98276	2ND CLUTCH GEAR & BRG. ASY (Incl. Items 47,48)	1
43	L98253	REV. CLUTCH GEAR BRG. . . . .	1	47	L98253	BEARING. . . . .	1
44	L99257	REV. CLUTCH GEAR. . . . .	1	48	L98253	BEARING. . . . .	1
		& BRG. ASY. (Incl. Items 41-43)		49	L98277	3RD DRIVEN GEAR (18T) . . . . .	1
45	L98255	FWD. CLUTCH GEAR . . . . .	1	<b>PAGE 20/21</b>			
		& BRG. ASY. (Incl. Items 46-48)		18	L98284	OUTPUT SHAFT GEAR (40T) . . . .	1
46	L98253	FWD. CLUTCH GEAR BRG. . . . .	1				
47	L98254	FWD. CLUTCH GEAR SPACER. . .	1				
48	L98253	FWD. CLUTCH GEAR BRG. . . . .	1				
<b>PAGE 16/17</b>							
31	L99258	1ST DRIVE GEAR (29T) . . . . .	1				
32	L98270	3RD GEAR & OUTPUT SHAFT (46T). . . . .	1				

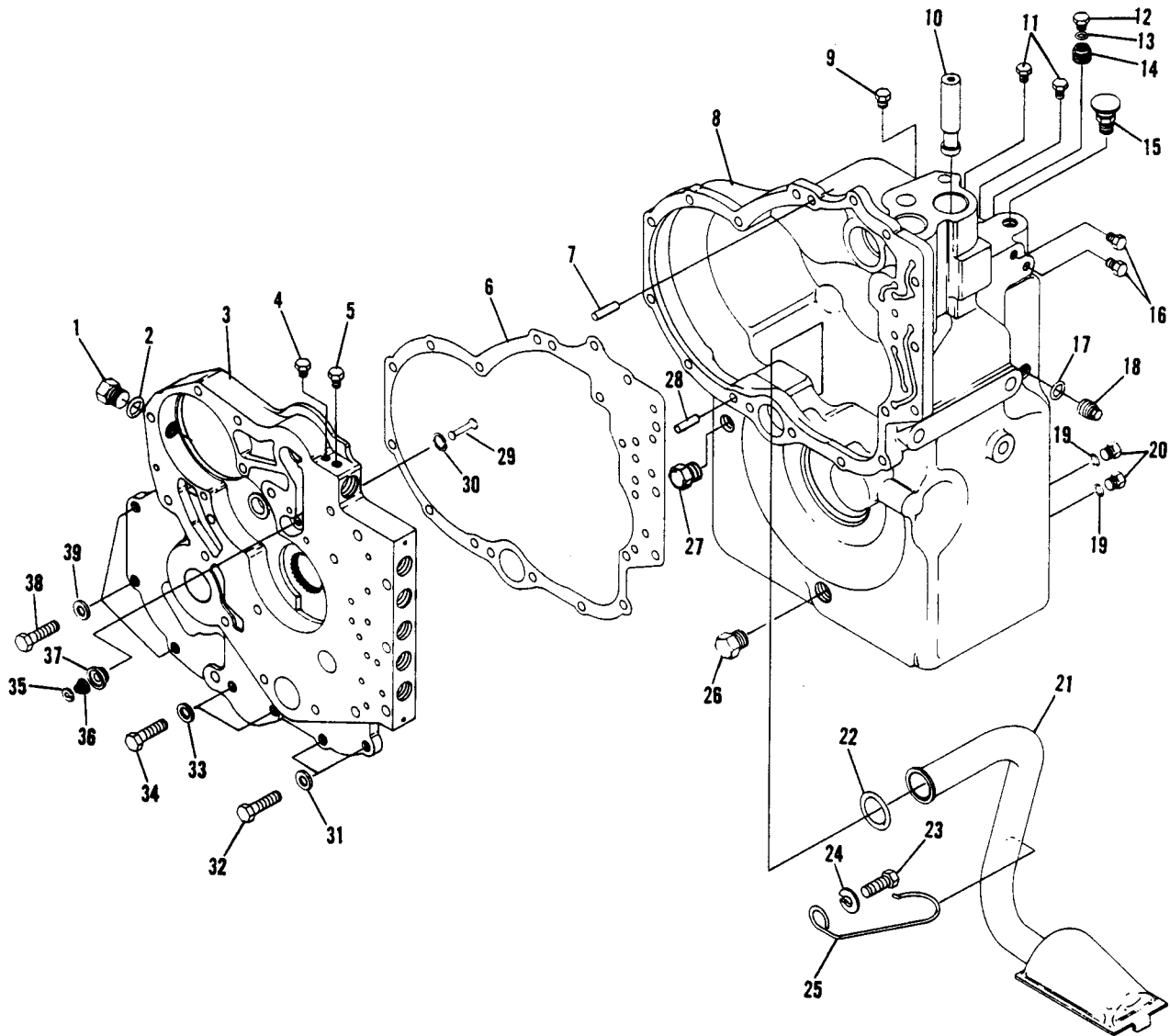
**Converter Housing Group**



***Converter Housing Group***

<b>Ref. No.</b>	<b>Part No.</b>	<b>Description</b>	<b>Qty. Req.</b>	<b>Ref. No.</b>	<b>Part No.</b>	<b>Description</b>	<b>Qty. Req.</b>
01	L99246	Plug (Hi & 3rd Port) . . . . .	2	09	L99029	Conv. Housing. to Plate	
02	L99246	Reg. Pressure Port Plug. . . . .	1			Screw Lockwasher . . . . .	1
03	L97508	Plug . . . . .	1	10	L99060	Conv. Hsg. to Plate Screw . . . . .	1
04	L98938	Housing to Plate Gasket. . . . .	1	11	L99029	Conv. Hsg. to Plate . . . . .	6
05	L98939	Converter Housing . . . . .	1			Screw Lockwasher	
06	L99246	Plug (1st & 2nd Port) . . . . .	2	12	L99018	Conv. Hsg. to Plate Screw . . . . .	6
07	L99029	Conv. Hsg. to Trans. Case		13	L99261	Conv. Hsg. to Plate Screw (N.I.) . . . . .	1
		Screw Lockwasher . . . . .	13	14	L99029	Conv. Hsg. to Plate	
08	L99260	Conv. Housing. to Trans.				Screw Lockwasher (N.I.) . . . . .	1
		Case Screw . . . . .	13	15	L99262	Check valve Bore Plug (N.I.) . . . . .	1

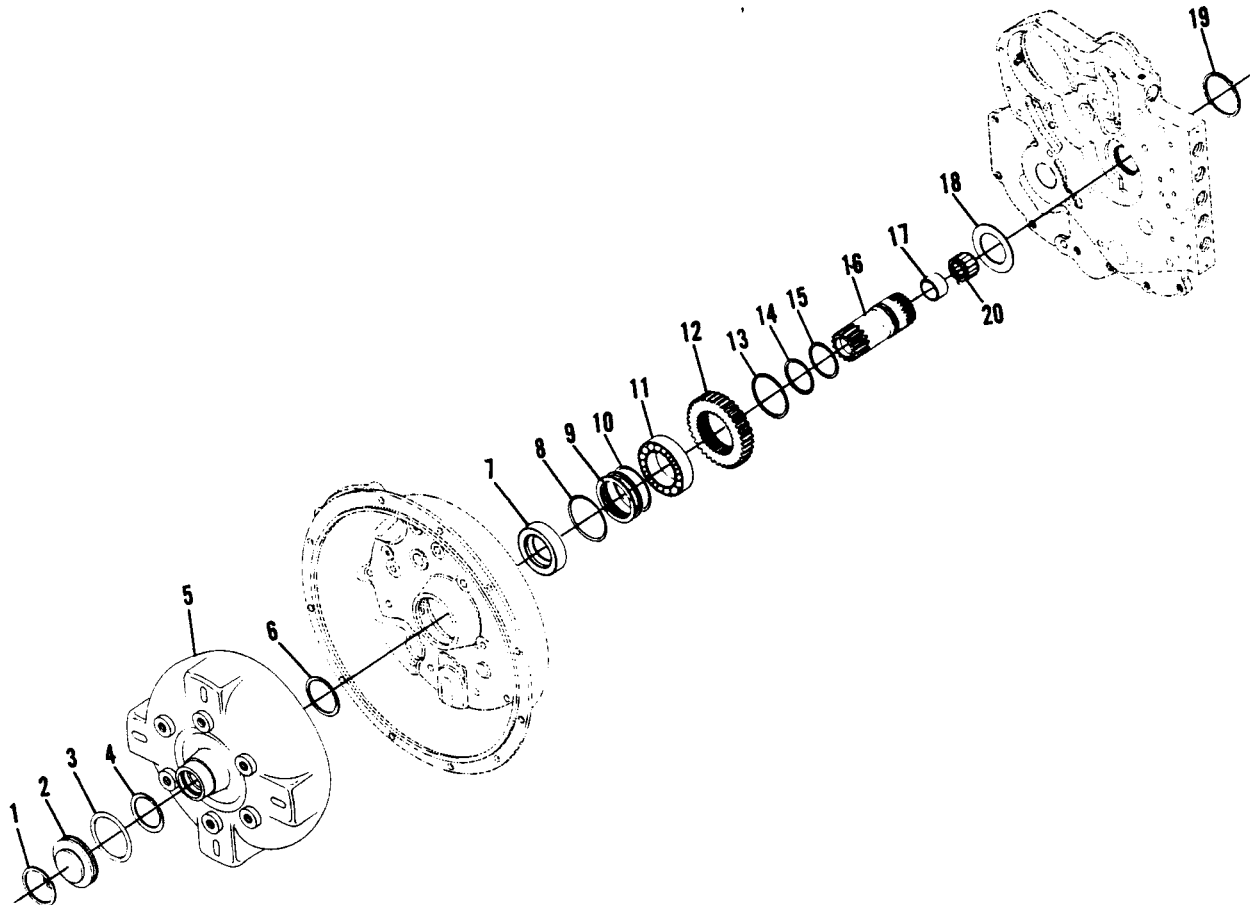
Case & Plate Group



***Case & Plate Group***

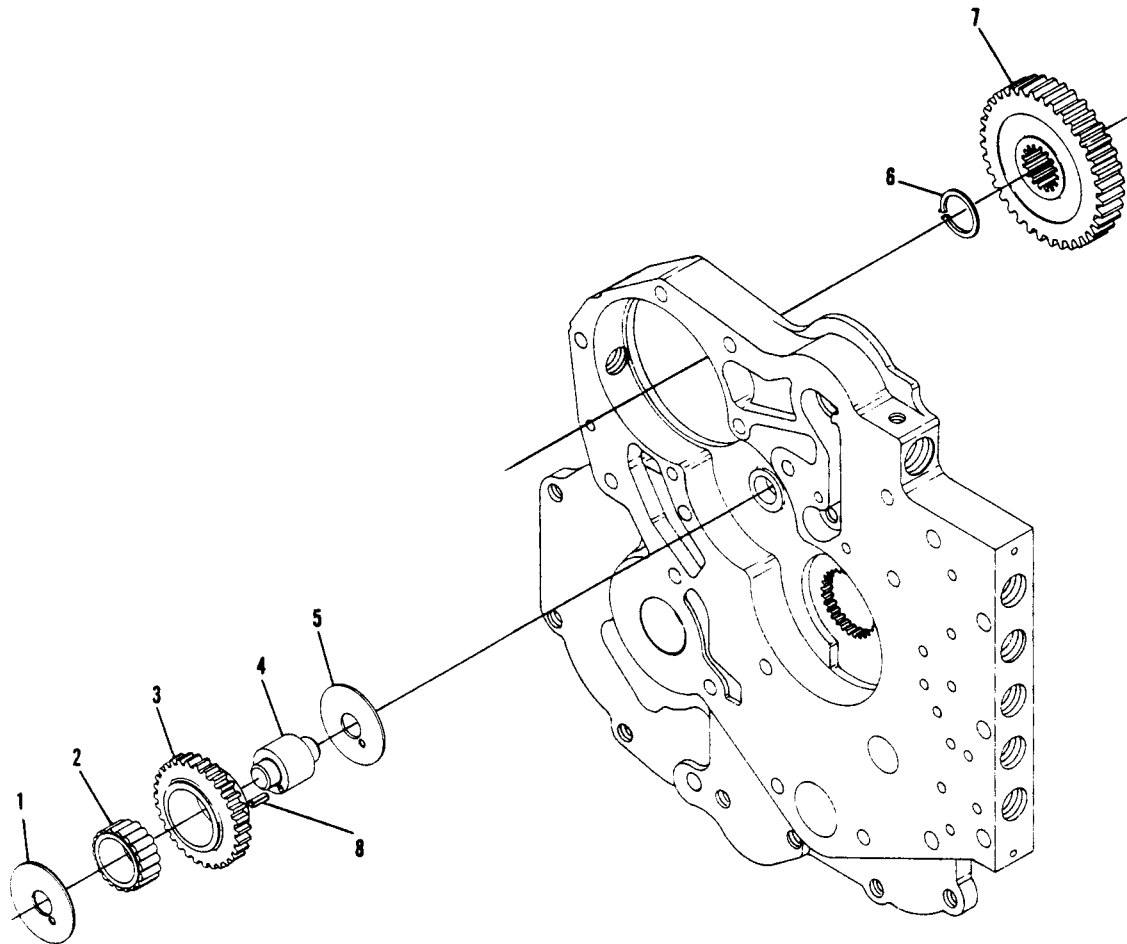
<b>Ref. No.</b>	<b>Part No.</b>	<b>Description</b>	<b>Qty. Req.</b>	<b>Ref. No.</b>	<b>Part No.</b>	<b>Description</b>	<b>Qty. Req.</b>
01	L99248	Sensor Port Plug . . . . .	1	23	L99269	Retainer Clip Screw . . . . .	1
02	L97563	Sensor Port Plug Washer . . . . .	1	24		(Not Used)	
03	L98925	Spacer Plate . . . . .	1	25	L98176	Oil Supply Tube Retainer Clip . . . . .	1
04	L99246	Inlet Pressure Port Plug . . . . .	1	26	L99253	Magnetic Drain Plug . . . . .	1
05	L99249	Outlet Temperture Port Plug . . . . .	1	27	L99270	Drain Back Port Plug . . . . .	1
06	L98926	Plate to Transmission Case Gasket . . . . .	1	28	L99264	Plate to Transmission Case Dowel Pin . . . . .	1
07	L99264	Plate to Transmission Case Dowel Pin . . . . .	1	29	L98931	Converter Safety Valve Poppet . . . . .	1
08	L98928	Transmission Case . . . . .	1	30	L98932	Seat Snap Ring . . . . .	1
09	L99265	Filler Plug . . . . .	1	31	L99029	Plate to Transmission Case Screw Lockwasher . . . . .	2
10		(Not Used)		32	L99018	Plate to Transmission Case Screw . . . . .	2
11	L99246	Pipe Plug . . . . .	2	33	L99029	Plate to Transmission Case Screw Lockwasher . . . . .	2
11	L99283	Plug . . . . .	1	34	L99045	Plate to Transmission Case Screw . . . . .	3
12	L99248	Auto Shift Sensor Port Plug . . . . .	1	35	L98217	Poppet Washer . . . . .	1
13	L98924	Sensor Port Plug "O" Ring . . . . .	1	36	L98218	Safety Valve Spring . . . . .	1
14	L99266	Sensor Adjusting Bushing . . . . .	1	37	L98935	Safety Valve Seat . . . . .	1
15	L94824	Air Breather . . . . .	1	38	L99018	Plate to Transm. Case Screw . . . . .	3
16	L99246	Plug . . . . .	2	39	L99029	Plate to Transsion Case Screw Lockwasher . . . . .	3
17	L99267	Sensor Port Plug "O" Ring . . . . .	1	40	L99265	Dipstick Port Plug (N.I.) . . . . .	1
18	L99250	Sensor Port Plug . . . . .	1				
19	L99013	Plug "O" Ring . . . . .	2				
20	L99251	Oil Level Plug . . . . .	2				
21	L98184	Tube & Screen Assembly . . . . .	1				
22	L98185	Oil Supply Tube Seal Ring . . . . .	1				

**Torque Converter Group**



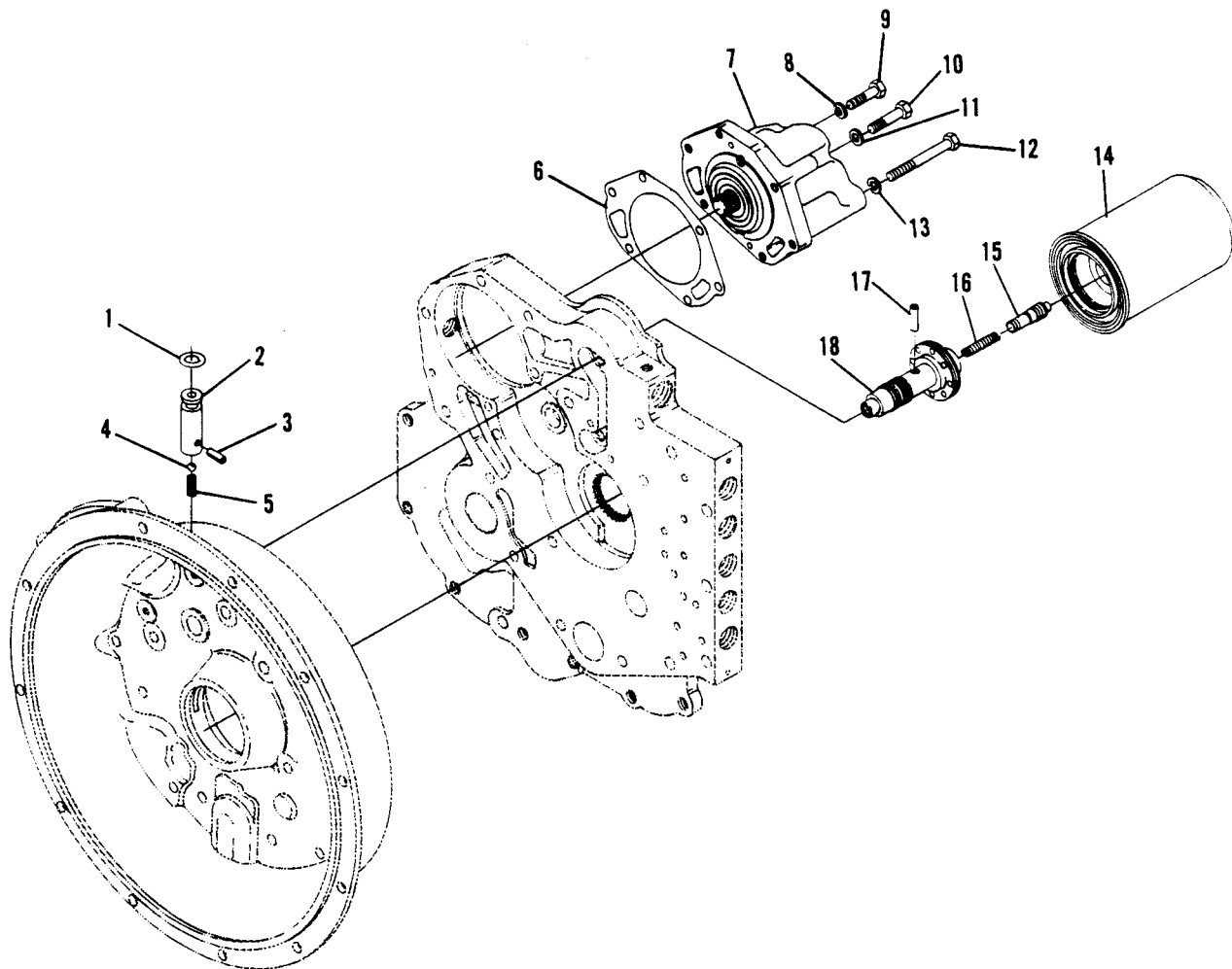
Ref. No.	Part No.	Description	Qty. Req.	Ref. No.	Part No.	Description	Qty. Req.
01	L98188	Plug Snap Ring . . . . .	1	12	L98199	Impeller Hub Gear (35T). . . . .	1
02	L98189	Torque Converter Plug . . . . .	1	13	L98200	Stator Support Snap Ring. . . . .	1
03	L98190	Torque Converter Plug "O" Ring . . .	1	14	L98201	Stator Support Piston Ring . . . . .	1
04	L98191	Impeller Hub Snap Ring . . . . .	1	15	L98202	Stator Support Piston . . . . .	1
05	L98192	Torque Converter Asy. . . . .	1			Ring Expander	
06	L98191	Impeller Hub Snap Ring . . . . .	1	16	L98203	Stator Support Asy . . . . .	1
07	L98194	Conv. Hsg. Oil Seal . . . . .	1			(Inc. Item 17 & 20)	
08	L98195	Oil Distributor Ring "O"Ring . . . . .	1	17	L98204	Bushing (Inc. in Item 16) . . . . .	1
09	L98196	Oil Distributor Ring . . . . .	1	18	L98205	Impeller Hub Gear Washer . . . . .	1
10	L98195	Oil Distributor Ring "O"Ring . . . . .	1	19	L98206	Stator Support Snap Ring. . . . .	1
11	L98198	Torque Conv. Bearing. . . . .	1	20	L98197	Bearing (Inc. In Item #16). . . . .	1

**Pump Drive Group**



Ref. No.	Part No.	Description	Qty. Req.	Ref. No.	Part No.	Description	Qty. Req.
01	L98942	Pump Drive Idler Thrust Washer . . .	1	05	L98942	Pump Drive Idler Thrust Washer . . .	1
02	L98943	Idler Gear Bearing . . . . .	1	06	L98212	Pump Drive Gear Ret Snap Ring . .	1
03	L98944	Pump Drive Idler Gear (31T) . . . . .	1	07	L98211	Pump Drive Gear (34T) . . . . .	1
04	L98945	Pump Drive Idler Shaft & Pin Asy. . .	1	08	L98947	Roll Pin (Incl. in Item #4) . . . . .	1
		(Incl. Item #8)					

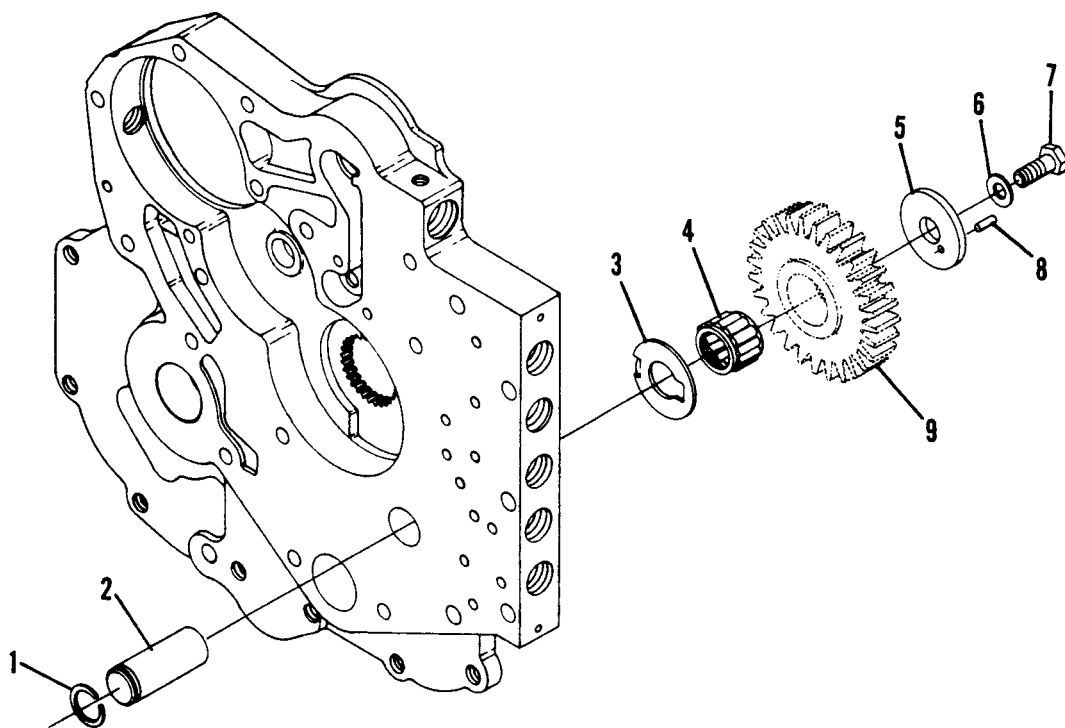
**Charge Pump w/Filter Group**



***Charge Pump w/Filter Group***

<b>Ref. No.</b>	<b>Part No.</b>	<b>Description</b>	<b>Qty. Req.</b>	<b>Ref. No.</b>	<b>Part No.</b>	<b>Description</b>	<b>Qty. Req.</b>
01	L98948	"O"Ring . . . . .	1	11	L99020	Pump Mtg. Screw Lockwasher . . . .	4
02	L98949	Ball Check Valve Asy. . . . .	1	12	L99027	Pump Mtg. Screw . . . . .	1
		(Inc. Items 1 thru 5)		13	L99029	Pump Mtg. Screw Lockwasher . . . .	1
03	L98214	Pin . . . . .	1	14	L99184	Filter Assembly. . . . .	1
04	L98215	Ball . . . . .	1	15	L98950	Piston . . . . .	1
05	L98216	Spring . . . . .	1	16	L98951	Spring . . . . .	1
06	L98219	Charging Pump Gasket . . . . .	1	17	L98952	Pin . . . . .	1
07	L98220	Charging Pump . . . . .	1	18	L98953	Sleeve . . . . .	1
08	L99020	Pump Mtg. Screw Lockwasher . . . .	1	19	L98954	Regulator Valve Asy. . . . .	1
09	L99023	Pump Mounting Scew . . . . .	1			(Inc. Items 15 thru 18)	
10	L99025	Pump Mounting Screw . . . . .	4				

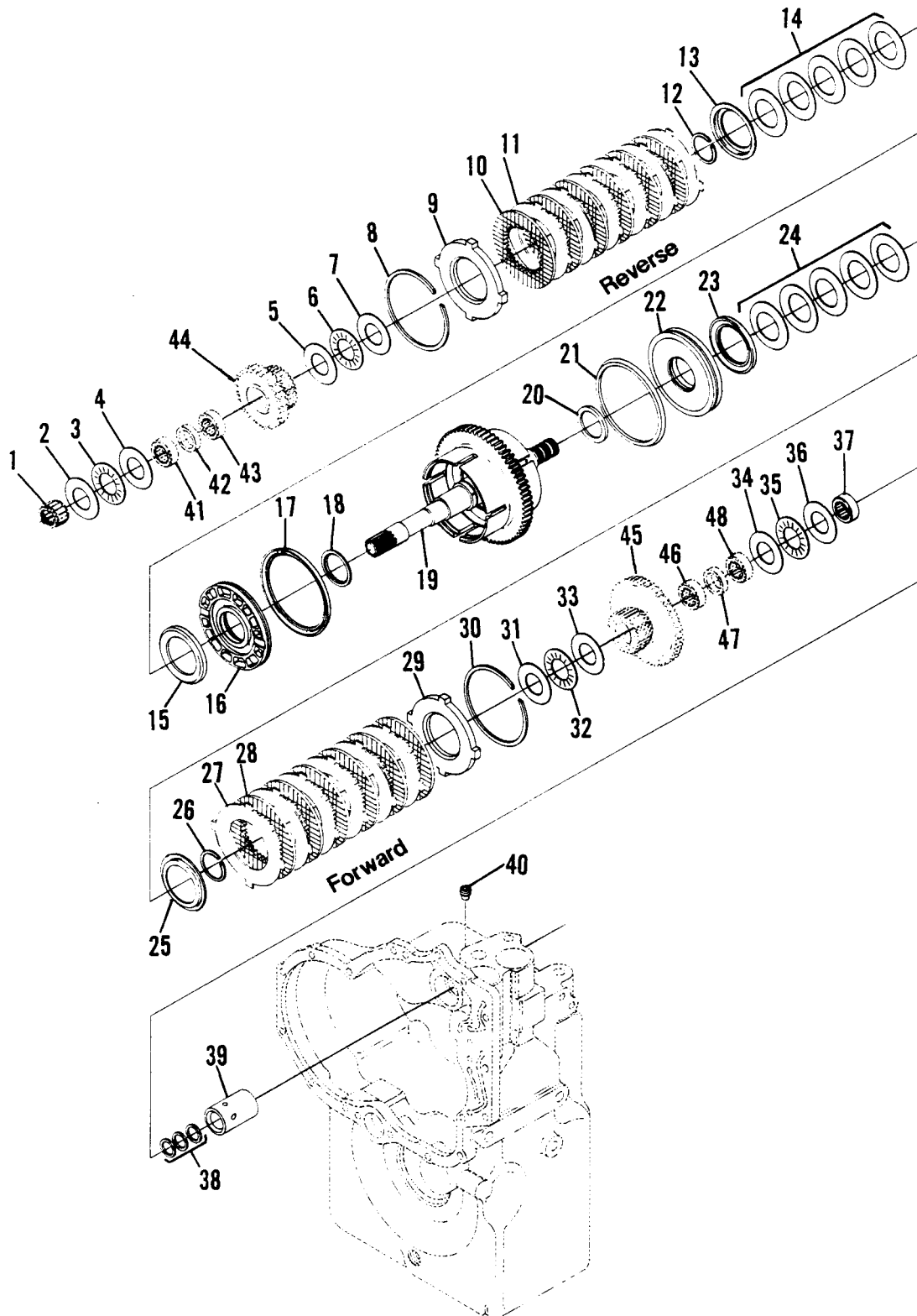
*Reverse Idler Group*



***Reverse Idler Group***

<b>Ref. No.</b>	<b>Part No.</b>	<b>Description</b>	<b>Qty. Req.</b>	<b>Ref. No.</b>	<b>Part No.</b>	<b>Description</b>	<b>Qty. Req.</b>
01	L98228	Idler Shaft Snap Ring . . . . .	1	06	L99032	End Plate Capscrew Washer . . . . .	1
02	L98229	Idler & Pilot Shaft . . . . .	1	07	L99031	Rev. Idler End Plate Capscrew . . . . .	1
03	L98230	Thrust Washer . . . . .	1	08	L98233	End Plate to Shaft Roll Pin . . . . .	1
04	L98231	Reverse Idler Gear Bearing . . . . .	1	09	L99256	Reverse Idler Gear . . . . .	1
05	L98232	End Plate . . . . .	1			<i>(See Special Parts Group)</i>	

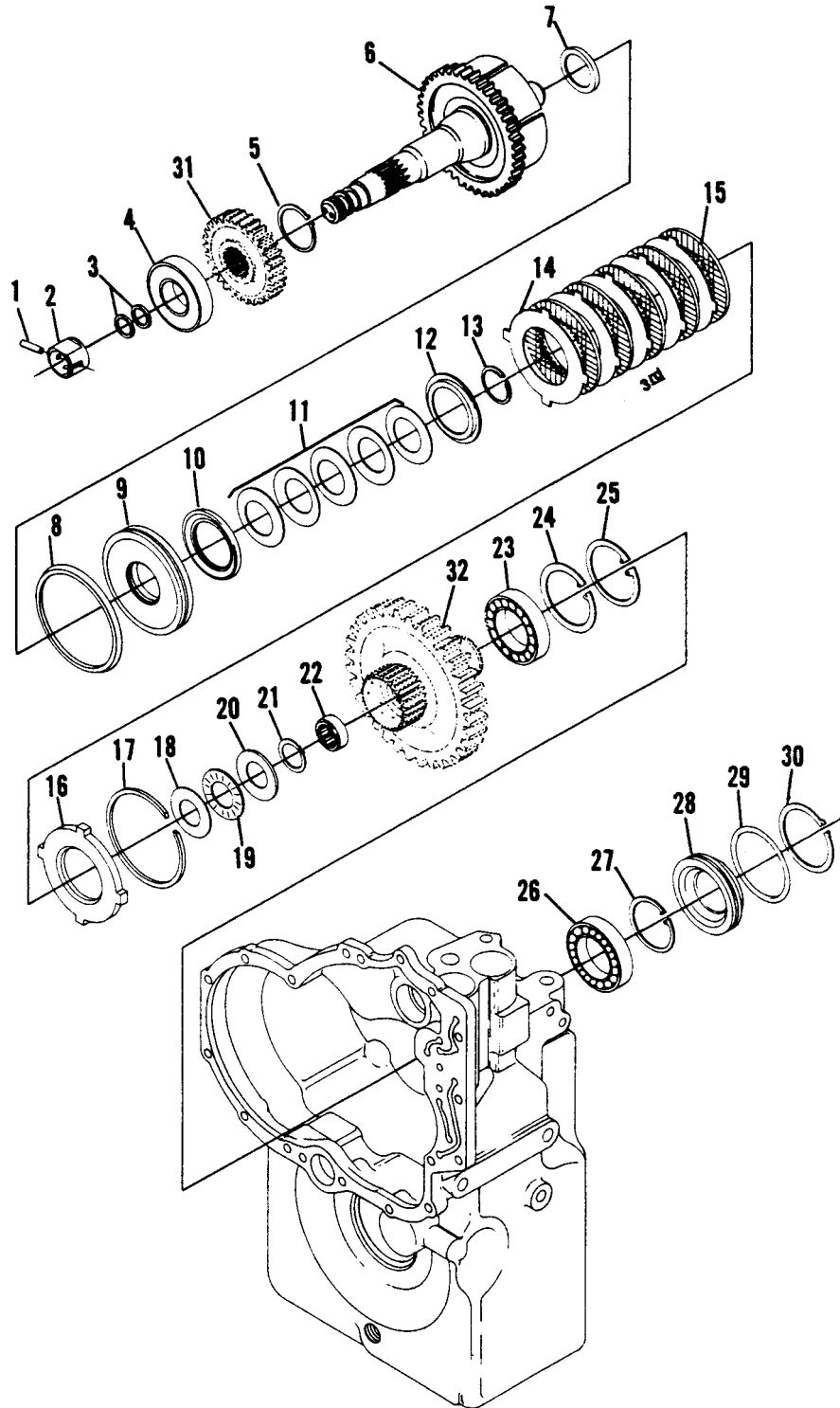
### Forward & Reverse Shaft Group



***Forward & Reverse Shaft Group***

Ref. No.	Part No.	Description	Qty. Req.	Ref. No.	Part No.	Description	Qty. Req.
01		Turbine Shaft Front Bearing <i>(See Converter Group)</i>		26	L98241	Retainer Snap Ring . . . . .	1
02	L98235	Clutch Gear Thrust Washer . . . . .	1	27	L98240	Outer Disc - Forward Clutch . . . . .	6
03	L98236	Clutch Gear Thrust Washer Brg. . . . .	1	28	L98239	Inner Disc - Forward Clutch . . . . .	6
04	L98235	Clutch Gear Thrust Washer . . . . .	1	29	L98238	End Plate . . . . .	1
05	L98235	Clutch Gear Thrust Washer . . . . .	1	30	L98237	End Plate Snap Ring . . . . .	1
06	L98236	Clutch Gear Thrust Washer Brg. . . . .	1	31	L98235	Clutch Gear Thrust Washer . . . . .	1
07	L98235	Clutch Gear Thrust Washer . . . . .	1	32	L98236	Clutch Gear Thrust Washer Brg. . . . .	1
08	L98237	End Plate Snap Ring . . . . .	1	33	L98235	Clutch Gear Thrust Washer . . . . .	1
09	L98238	End Plate . . . . .	1	34	L98235	Clutch Gear Thrust Washer . . . . .	1
10	L98239	Inner Disc-Reverse Clutch . . . . .	6	35	L98236	Clutch Gear Thrust Washer Brg. . . . .	1
11	L98240	Outer Disc-Reverse Clutch . . . . .	6	36	L98235	Clutch Gear Thrust Washer . . . . .	1
12	L98241	Retainer Snap Ring . . . . .	1	37	L98249	Thrbine Shaft Rear Bearing . . . . .	1
13	L98242	Snap Ring Retainer . . . . .	1	38	L98250	Piston Ring . . . . .	3
14	L98243	Disc Washer (Spring) Asy. . . . .	5	39	L98251	Oil Distributor Sleeve . . . . .	1
15	L98244	Clutch Piston Wear Plate . . . . .	1	40	L98252	Retainer Screw . . . . .	1
16	L98245	Clutch Piston . . . . .	1	41	L98253	Bearing . . . . .	1
17	L98246	Clutch Piston . . . . .	1	42	L98254	Spacer . . . . .	1
18	L98247	Clutch Piston Seal - Inner. . . . .	1	43	L98253	Bearing . . . . .	1
19	L98248	Turbine Shaft Drum & Plug Asy. . . . .	1	44	L99257	Rev. Clutch Gear & Brg. Asy. . . . . (Incl. Items 41 thru 43)	1
20	L98247	Clutch Piston Seal - Inner. . . . .	1	45	L99255	Fwd. Clutch Gear & Brg. Asy. . . . . (Incl. Items 46 thru 48)	1
21	L98246	Clutch Piston Seal - Outer . . . . .	1	46	L99253	Bearing . . . . .	1
22	L98245	Clutch Piston . . . . .	1	47	L98254	Spacer - <i>See Special Parts Sect.</i> . . . . .	1
23	L98244	Clutch Piston Wear Plate . . . . .	1	48	L98253	Bearing - <i>See Special Parts Sect.</i> . . . . .	1
24	L98243	Disc Washer (Spring) Asy. . . . .	5				
25	L98242	Snap Ring Retainer . . . . .	1				

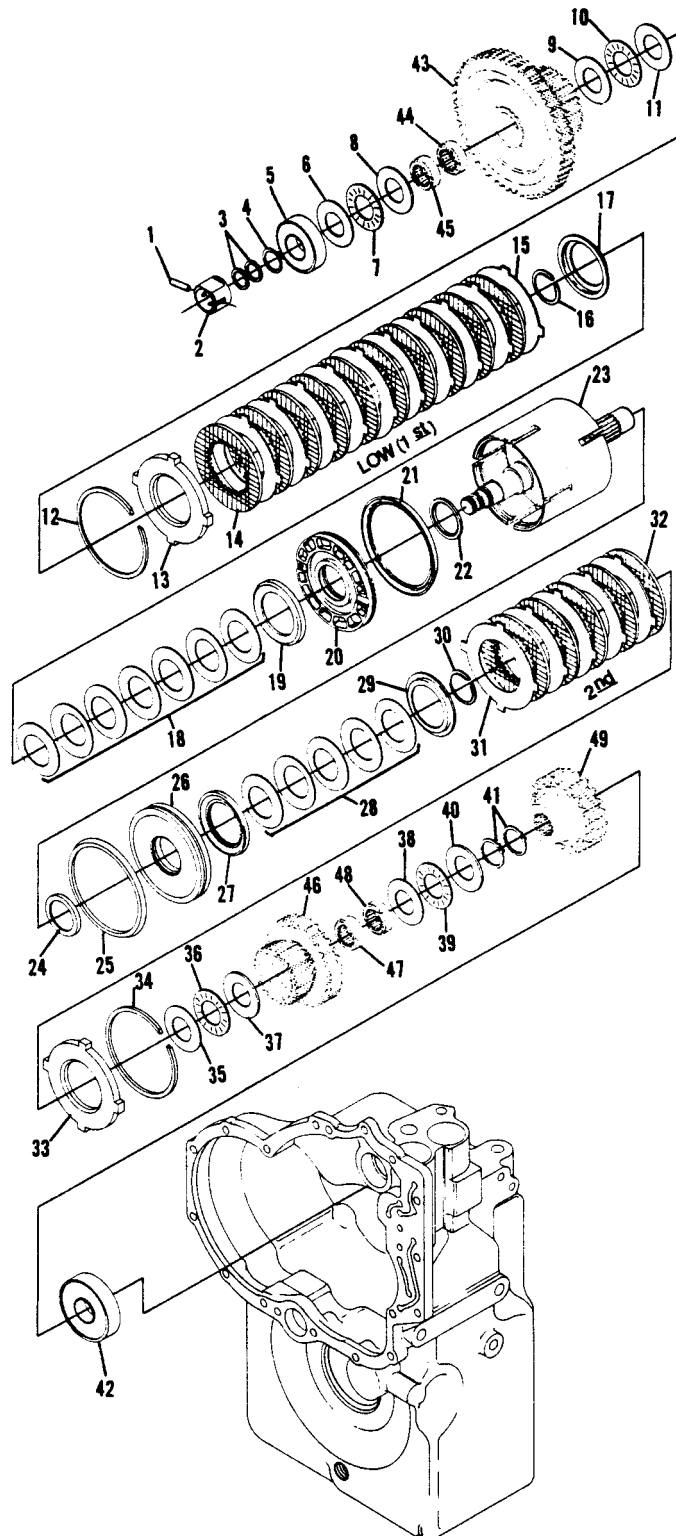
**3rd & Output Shaft Group**



***3rd & Output Shaft Group***

<b>Ref. No.</b>	<b>Part No.</b>	<b>Description</b>	<b>Qty. Req.</b>	<b>Ref. No.</b>	<b>Part No.</b>	<b>Description</b>	<b>Qty. Req.</b>
01	L98257	Sleeve Locating Screw . . . . .	1	17	L98237	End Plate Snap Ring . . . . .	1
02	L98258	Oil Distributor Sleeve . . . . .	1	18	L98235	Clutch Gear Thrust Washer . . . . .	1
03	L98250	Piston Ring . . . . .	2	19	L98236	Clutch Gear Thrust Washer Brg. . . . .	1
04	L98964	Bearing & Seal Asy. . . . .	1	20	L98235	Clutch Gear Thrust Washer . . . . .	1
05	L98260	Gear Hub Snap Ring . . . . .	1	21	L98271	Thrust Washer Ret. Snap Ring . . . . .	1
06	L98261	3rd Shaft, Drum, & Plug Asy. . . . .	1	22	L98263	3rd Clutch Gear Bearing. . . . .	1
07	L98247	Clutch Piston Inner Seal . . . . .	1	23	L99039	Rear Bearing . . . . .	1
08	L98246	Clutch Piston Outer Seal . . . . .	1	24	L98264	Rear Bearing Ret. Snap Ring . . . . .	1
09	L98262	Clutch Piston & Ball Seat Asy. . . . .	5	25	L98264	Output Shaft Brg. Snap Ring . . . . .	1
10	L98244	Clutch Piston Wear Plate . . . . .	1	26	L98282	Output Shaft Bearing . . . . .	1
11	L98243	Disc Washer (Spring) Asy. . . . .	5	27	L98266	Output Shaft Brg. Ret. Snap Ring. . . . .	1
12	L98242	Snap Ring Retainer . . . . .	1	28	L98267	Plug - Capped End. . . . .	1
13	L98241	Retainer Snap Ring . . . . .	1	29	L98268	Oil Seal Sleeve "0" Ring. . . . .	1
14	L98240	Outer Disc - 3rd Clutch. . . . .	5	30	L98264	Output Shaft Brg. Snap Ring . . . . .	1
15	L98239	Inner disc - 3rd Clutch . . . . .	5	31	L99258	1st Drive Gear . . . . .	1
16	L98238	End Plate. . . . .	1	32	L98270	3rd Gear & Shaft . . . . .	1

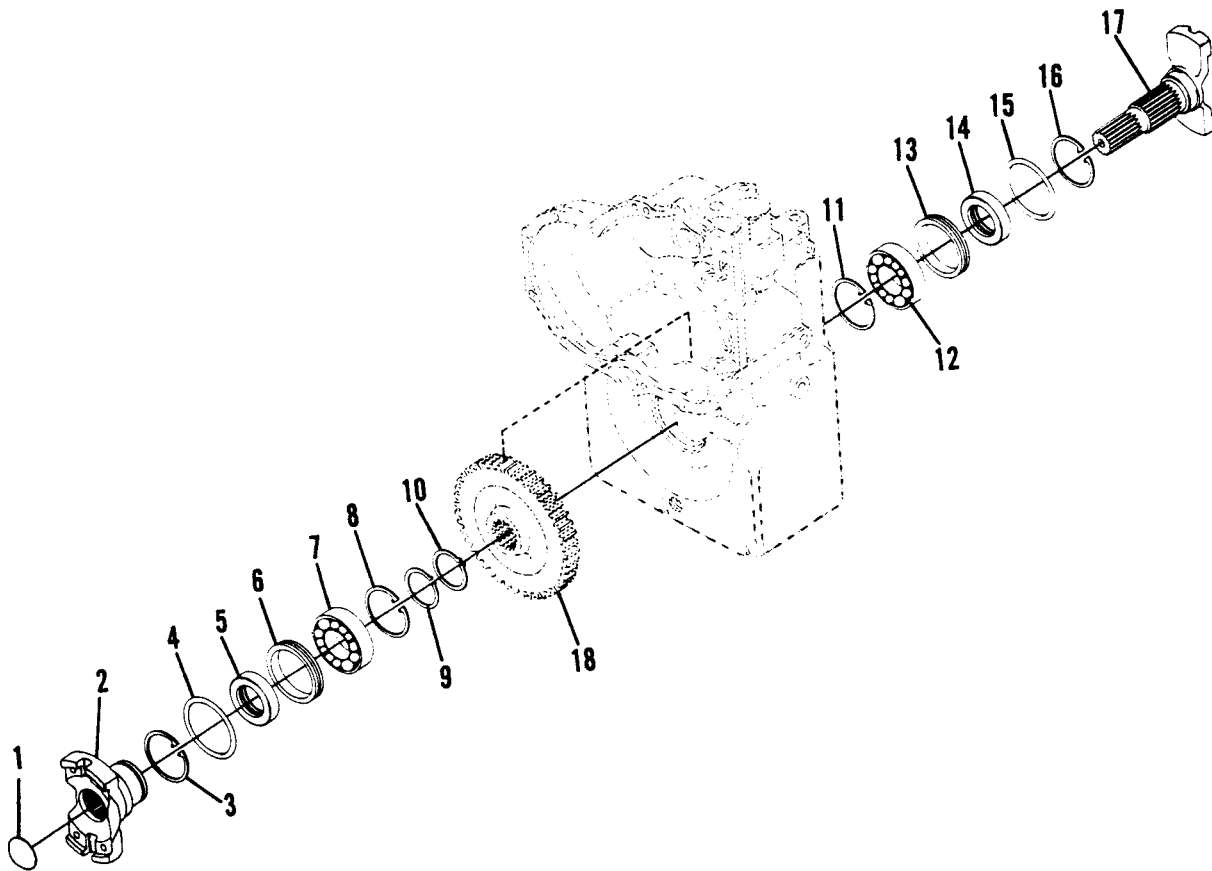
### 1st & 2nd Shaft Group



***1st & 2nd Shaft Group***

<b>Ref. No.</b>	<b>Part No.</b>	<b>Description</b>	<b>Qty. Req.</b>	<b>Ref. No.</b>	<b>Part No.</b>	<b>Description</b>	<b>Qty. Req.</b>
01	L98257	Sleeve Locating Screw . . . . .	1	27	L98244	Clutch Piston Wear Plate . . . . .	1
02	L98272	Oil Distributor Sleeve . . . . .	1	28	L98243	2nd Clutch Disc Spring Asy. . . . .	5
03	L98250	Piston Ring . . . . .	2	29	L98242	Snap Ring Retainer . . . . .	1
04	L99271	Bearing Ret. Snap Ring . . . . .	1	30	L98241	Retainer Snap Ring . . . . .	1
05	L98964	Bearing & Seal Asy. . . . .	1	31	L98240	Outer Disc - 2nd Clutch . . . . .	5
06	L98235	Clutch Gear Thrust Washer . . . . .	1	32	L98239	Inner Disc - 2nd Clutch. . . . .	5
07	L98236	Clutch Gear Thrust Washer Brg. . . . .	1	33	L98238	End Plate . . . . .	1
08	L98235	Clutch Gear Thrust Washer . . . . .	1	34	L98237	End Plate Snap Ring . . . . .	1
09	L98235	Clutch Gear Thrust Washer . . . . .	1	35	L98235	Clutch Gear Thrust Washer . . . . .	1
10	L98236	Clutch Gear Thrust Washer Brg. . . . .	1	36	L98236	Clutch Gear Thrust Washer Brg. . . . .	1
11	L98235	Clutch Gear Thrust Washer . . . . .	1	37	L98235	Clutch Gear Thrust Washer . . . . .	1
12	L98237	End Plate Snap Ring . . . . .	1	38	L98235	Clutch Gear Thrust Washer . . . . .	1
13	L98238	End Plate . . . . .	1	39	L98236	Clutch Gear Thrust Washer Brg. . . . .	1
14	L98239	Inner Disc - 1st Clutch . . . . .	10	40	L98235	Clutch Gear Thrust Washer . . . . .	1
15	L98240	Outer Disc - 1st Clutch . . . . .	10	41	L98260	2nd Clutch Gear Hub Snap Ring . . . . .	2
16	L98241	Retainer Snap Ring . . . . .	1	42	L98275	Rear Bearing . . . . .	1
17	L98242	Snap Ring Retainer . . . . .	1	43	L99259	1st Clutch Gear & Brg. Asy. . . . .	1
18	L98243	1st Clutch Disc Spring Asy. . . . .	7			(Incl. Items 44,45)	
19	L98244	Clutch Piston Wear plate . . . . .	1	44	L98253	Bearing . . . . .	1
20	L99038	Clutch Piston . . . . .	1	45	L98253	Bearing . . . . .	1
21	L98246	Clutch Piston Seal - Outer . . . . .	1	46	L98276	2nd Clutch Gear & Brg. Assy. . . . .	1
22	L98247	Clutch Piston Seal - Inner. . . . .	1			(Incl. Items 47,48)	
23	L98274	1st & 2nd Shaft, Drum & Plug Asy. . . . .	1	47	L98253	Bearing . . . . .	1
24	L98247	Clutch Piston Seal - Inner. . . . .	1	48	L98253	Bearing . . . . .	1
25	L98246	Clutch Piston Seal - Outer . . . . .	1	49	L98277	3rd Driven Gear . . . . .	1
26	L99038	Clutch Piston . . . . .	1				

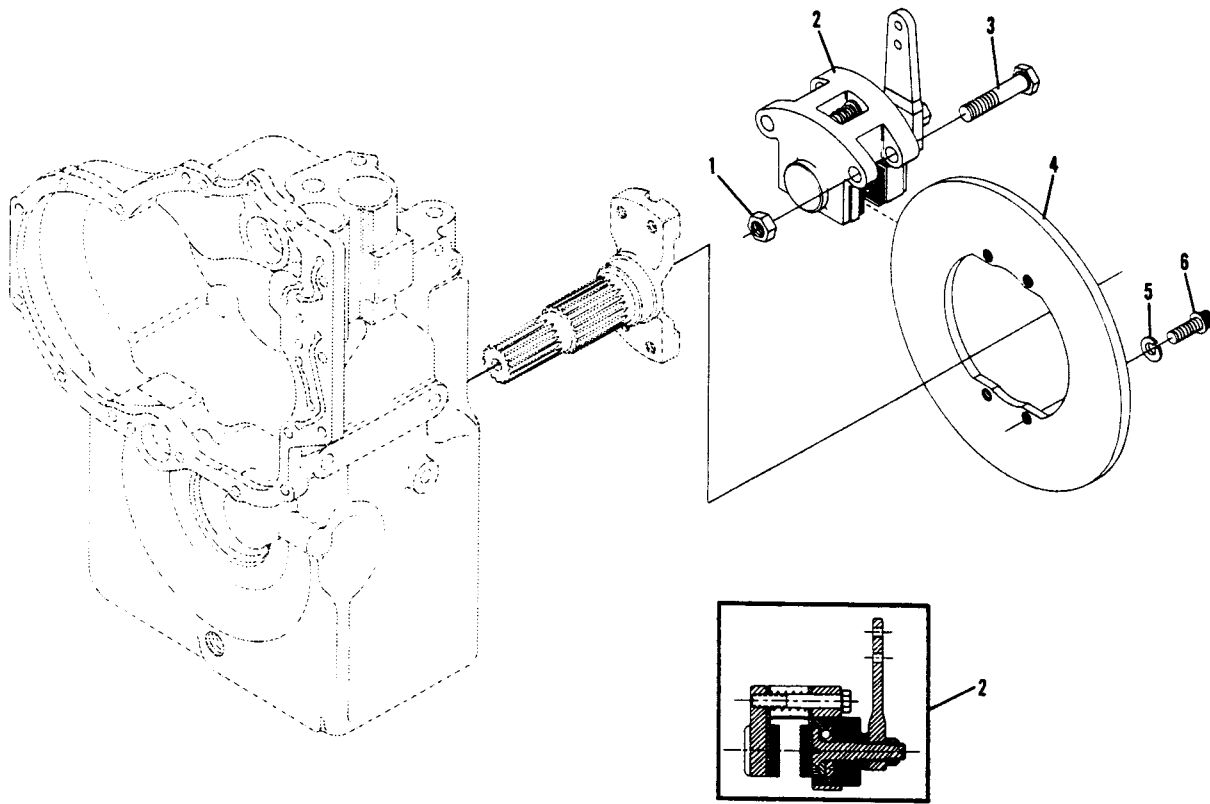
*Output Shaft Group*



***Output Shaft Group***

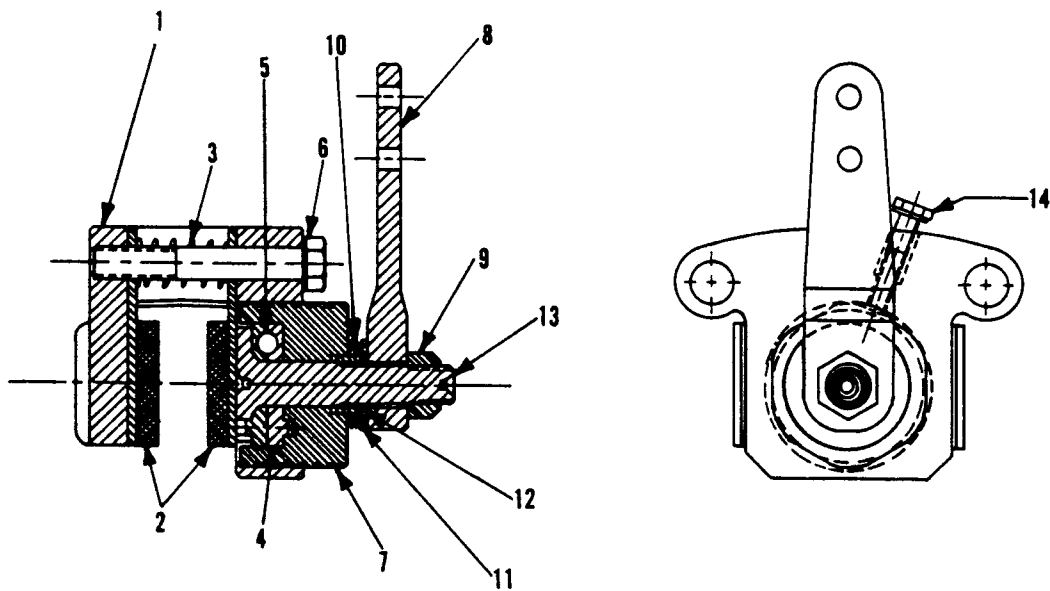
<b>Ref. No.</b>	<b>Part No.</b>	<b>Description</b>	<b>Qty. Req.</b>	<b>Ref. No.</b>	<b>Part No.</b>	<b>Description</b>	<b>Qty. Req.</b>
01	L98278	Flange Plug . . . . .	1	10	L98266	Gear Retaining Ring . . . . .	1
02	L98279	Output Flange & Plug Asy. . . . . (Inc. Item 1)	1	11	L98264	Output Shaft Brg. "O"Ring . . . . .	1
03	L98264	Output Shaft Brg. Snap Ring . . . . .	1	12	L98282	Output Shaft Bearing . . . . .	1
04	L98268	Oil Seal Sleeve "O"Ring . . . . .	1	13	L98281	Oil Seal Sleeve . . . . .	1
05	L96053	Output Shaft Oil Seal . . . . .	1	14	L96053	Output Shaft Oil Seal . . . . .	1
06	L98281	Oil Seal Sleeve . . . . .	1	15	L98268	Output Shaft Sleeve "O"Ring . . . . .	1
07	L98282	Output Shaft Bearing . . . . .	1	16	L98264	Output Shaft Brg. "O"Ring . . . . .	1
08	L98264	Output Shaft Brg. Snap Ring . . . . .	1	17	L98283	Output Shaft & Brake Flange (SC) . . . . .	1
09	L98266	Flange Retaining Ring . . . . .	1	18	L98284	Output Shaft Gear . . . . .	1

**Disc Brake Group**



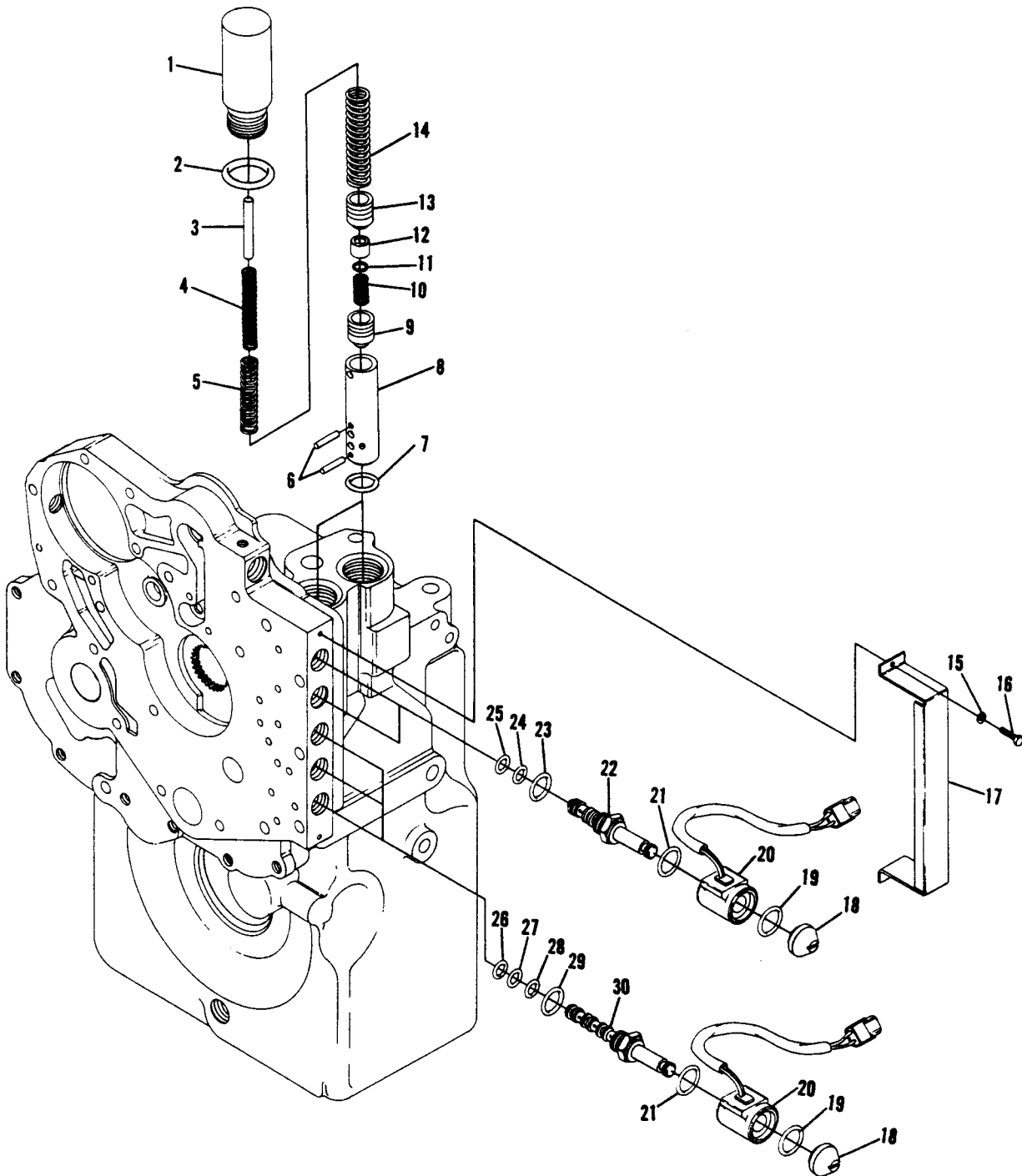
Ref. No.	Part No.	Description	Qty. Req.	Ref. No.	Part No.	Description	Qty. Req.
01	L99040	Caliper Asy. Capscrew Lock Nut . . .	2	04	L98287	Brake Disc . . . . .	1
02	L98970	Caliper Brake Asy. (See Parts List) .	1	05	L99042	Brake Disc Capscrew Lockwasher .	4
03	L99041	Caliper Assy. Mtg. Capscrew . . . . .	2	06	L99043	Brake Disc Capscrew . . . . .	4

**Brake Caliper Assembly**



Ref. No.	Part No.	Description	Qty. Req.	Ref. No.	Part No.	Description	Qty. Req.
01	NSS	Housing		11	NSS	Retainer	
02	L98288	Lining Kit . . . . .	1	12	NSS	Retainer Ring	
03	NSS	Spring		13	NSS	Piston	
04	NSS	Cam Plate		14	NSS	Capscrew	
05	NSS	Ball		15	L98290	Piston & Module Assy. Kit. . . . .	1
06	NSS	Capscrew				(Incl. Items 4,5,7 Thru 13)	
07	NSS	Body		16	L98285	Ball & Cam Repair Kit . . . . .	1
08	L98289	Lever . . . . .	1			(Incl. Items 4,5)	
09	NSS	Nut		17	L98970	Calpier Assy. . . . .	1
10	NSS	Belleville Spring				(Incl. Items 1 thru 14)	

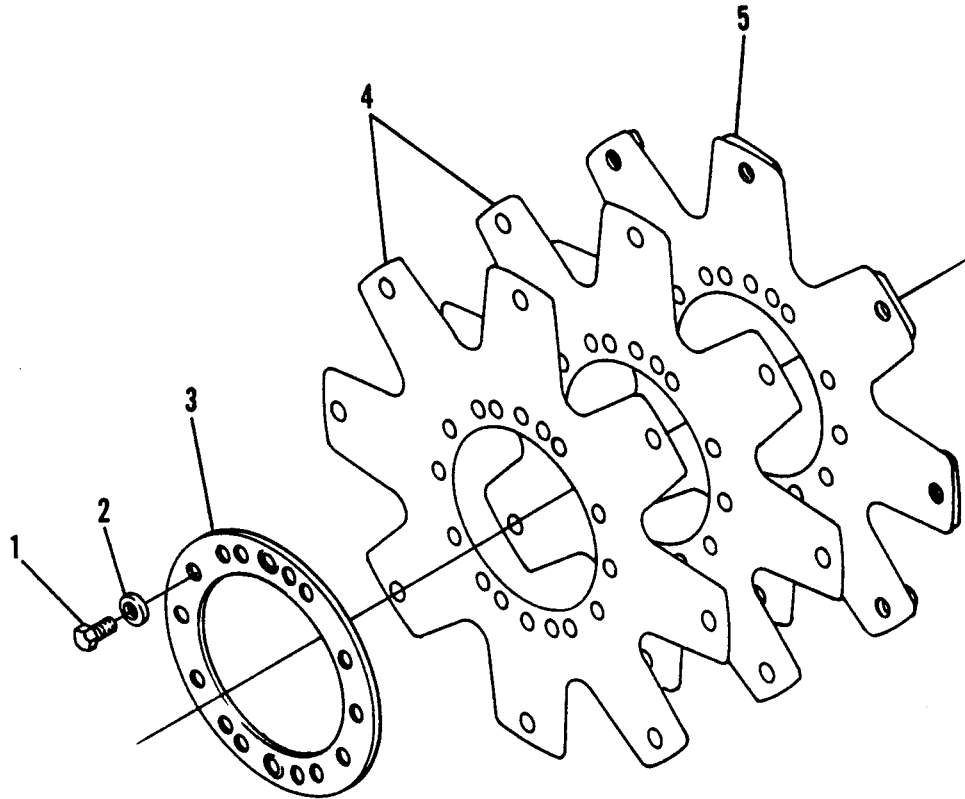
**Electric Control w/Modulation Group**



***Electric Control w/Modulation Group***

<b>Ref. No.</b>	<b>Part No.</b>	<b>Description</b>	<b>Qty. Req.</b>	<b>Ref. No.</b>	<b>Part No.</b>	<b>Description</b>	<b>Qty. Req.</b>
01	L98291	Modulator Valve Housing . . . . .	1	19	L98307	Nut to Coil "O,Ring. . . . .	4
02	L98292	Modulator Housing "0" Ring . . . . .	1	20	L98308	Solenoid Coil - 12 Volt . . . . .	4
03	L98293	Stop Pin . . . . .	1	21	L98307	Coil to Cartridge "O"Ring . . . . .	4
04	L98294	Spring - Inner . . . . .	1	22		<i>(Not Used - See Item 30)</i>	
05	L98295	Spring - Middle . . . . .	1	23		<i>(Not Used - See Item 29)</i>	
06	L98296	Upper Pin. . . . .	2	24		<i>(Not Used - See Item 28)</i>	
6A	L98957	Lower Pin. . . . .	2	25		<i>(Not Used - See Item 27)</i>	
07	L98297	Sleeve "O"Ring . . . . .	1	26	L98313	Cartridge "O"Ring. . . . .	3
08	L98298	Modulation Housing Sleeve . . . . .	1	27	L98312	Cartridge "O"Ring. . . . .	2
09	L98958	Regulator Spool . . . . .	1	28	L98311	Cartridge "O"Ring. . . . .	3
10	L98300	Spring . . . . .	1	29	L98310	Cartridge "O"Ring. . . . .	3
11	L98301	Spring Spacer. . . . .	1	30	L98314	Valve Cartridge, 4 Way. . . . .	2
12	L98302	Spring Retainer . . . . .	1			Used at 1st & 2nd - 3rd (Incl. Items 26-29)	
13	L98959	Accumulator Spool . . . . .	1	30A	L98315	Solenoid Bore Plug . . . . .	1
14	L98304	Spring - Outer . . . . .	1			Used at Fwd.-Hi & Low (Incl. (1) of Itmes 26,28,29)	
15	L99034	Cover Screw Lockwasher. . . . .	2	31	L98960	Spool Type Sol. Cartridge Asy (Incl. Item 18 thru 21[4 ea.] , 30) . . .	4
16	L99035	Cover Screw . . . . .	2				
17	L98305	Protective Cover. . . . .	1				
18	L99036	Valve Cartridge Retainer Nut . . . . .	4				

**Drive Plate Group**



Ref. No.	Part No.	Description	Qty. Req.	Ref. No.	Part No.	Description	Qty. Req.
01	L99033	Drive Plate Mounting Screw . . . . .	6	04	NSS	Drive Plate - (Incl. In Item #5)	
02	L99030	Drive Plate Mounting Screw Lockwasher . . . . .	6	05	L98317	Drive Plate Asy. Kit (Incl. Items 1 thru 4) . . . . .	1
03	L97516	Drive Plate Backing Ring . . . . .	1				

***Numerical Index***

<b>Part No.</b>	<b>Page No.</b>	<b>Ref. No.</b>	<b>Part No.</b>	<b>Page No.</b>	<b>Ref. No.</b>	<b>Part No.</b>	<b>Page No.</b>	<b>Ref. No.</b>	<b>Part No.</b>	<b>Page No.</b>	<b>Ref. No.</b>
L94824	2-7	15	L98235	2-19	37	L98243	2-19	18	L98260	2-19	41
L96053	2-21	05	L98235	2-15	04	L98243	2-15	14	L98260	2-17	05
L96053	2-21	14	L98235	2-19	40	L98243	2-17	11	L98261	2-17	06
L97508	2-5	03	L98235	2-15	36	L98243	2-19	28	L98262	2-17	09
L97516	2-26	03	L98235	2-15	05	L98244	2-15	15	L98263	2-17	22
L97563	2-7	02	L98235	2-19	08	L98244	2-19	27	L98264	2-17	25
L98176	2-7	25	L98235	2-19	09	L98244	2-17	10	L98264	2-17	30
L98184	2-7	21	L98235	2-15	07	L98244	2-19	19	L98264	2-17	24
L98185	2-7	22	L98235	2-19	11	L98244	2-15	23	L98264	2-21	11
L98188	2-8	01	L98235	2-15	33	L98245	2-15	16	L98264	2-21	16
L98189	2-8	02	L98235	2-15	34	L98245	2-15	22	L98264	2-21	03
L98190	2-8	03	L98236	2-15	35	L98246	2-15	17	L98264	2-21	08
L98191	2-8	04	L98236	2-19	10	L98246	2-19	25	L98266	2-21	09
L98191	2-8	06	L98236	2-15	06	L98246	2-17	08	L98266	2-17	27
L98192	2-8	05	L98236	2-19	07	L98246	2-19	21	L98266	2-21	10
L98194	2-8	07	L98236	2-19	39	L98246	2-15	21	L98267	2-17	28
L98195	2-8	08	L98236	2-19	36	L98247	2-17	07	L98268	2-21	15
L98195	2-8	10	L98236	2-15	03	L98247	2-19	22	L98268	2-17	29
L98196	2-8	09	L98236	2-17	19	L98247	2-15	18	L98268	2-21	04
L98197	2-8	20	L98236	2-15	32	L98247	2-15	20	L98270	2-17	32
L98198	2-8	11	L98237	2-17	17	L98247	2-19	24	L98270	2-3	32
L98199	2-8	12	L98237	2-15	08	L98248	2-15	19	L98271	2-17	21
L98200	2-8	13	L98237	2-15	30	L98249	2-15	37	L98272	2-19	02
L98201	2-8	14	L98237	2-19	34	L98250	2-17	03	L98274	2-19	23
L98202	2-8	15	L98237	2-19	12	L98250	2-19	03	L98275	2-19	42
L98203	2-8	16	L98238	2-15	29	L98250	2-15	38	L98276	2-19	46
L98204	2-8	17	L98238	2-19	13	L98251	2-15	39	L98276	2-3	46
L98205	2-8	18	L98238	2-15	09	L98252	2-15	40	L98277	2-3	49
L98206	2-8	19	L98238	2-17	16	L98253	2-3	46	L98277	2-19	49
L98211	2-9	07	L98238	2-19	33	L98253	2-15	48	L98278	2-21	01
L98212	2-9	06	L98239	2-15	10	L98253	2-3	43	L98279	2-21	02
L98214	2-11	03	L98239	2-19	14	L98253	2-19	47	L98281	2-21	06
L98215	2-11	04	L98239	2-19	32	L98253	2-3	48	L98281	2-21	13
L98216	2-11	05	L98239	2-15	28	L98253	2-3	41	L98282	2-21	07
L98217	2-7	35	L98239	2-17	15	L98253	2-15	41	L98282	2-21	12
L98218	2-7	36	L98240	2-19	15	L98253	2-3	44	L98282	2-17	26
L98219	2-11	06	L98240	2-15	11	L98253	2-3	45	L98283	2-21	17
L98220	2-11	07	L98240	2-17	14	L98253	2-19	44	L98284	2-21	18
L98228	2-13	01	L98240	2-19	31	L98253	2-15	43	L98284	2-3	18
L98229	2-13	02	L98240	2-15	27	L98253	2-3	47	L98285	2-23	16
L98230	2-13	03	L98241	2-19	30	L98253	2-19	45	L98287	2-22	04
L98231	2-13	04	L98241	2-17	13	L98253	2-19	48	L98288	2-23	02
L98232	2-13	05	L98241	2-19	16	L98253	2-3	48	L98289	2-23	08
L98233	2-13	08	L98241	2-15	26	L98254	2-3	42	L98290	2-23	15
L98235	2-19	35	L98241	2-15	12	L98254	2-15	42	L98291	2-25	01
L98235	2-19	38	L98242	2-19	17	L98254	2-15	47	L98292	2-25	02
L98235	2-15	31	L98242	2-19	29	L98254	2-3	47	L98293	2-25	03
L98235	2-17	20	L98242	2-17	12	L98255	2-3	45	L98294	2-25	04
L98235	2-19	06	L98242	2-15	13	L98257	2-17	01	L98295	2-25	05
L98235	2-15	02	L98242	2-15	25	L98257	2-19	01	L98296	2-25	06
L98235	2-17	18	L98243	2-15	24	L98258	2-17	02	L98297	2-25	07

***Numerical Index***

<b>Part No.</b>	<b>Page No.</b>	<b>Ref. No.</b>	<b>Part No.</b>	<b>Page No.</b>	<b>Ref. No.</b>	<b>Part No.</b>	<b>Page No.</b>	<b>Ref. No.</b>
L98298	2-25	08	L99020	2-11	08	L99260	2-5	08
L98300	2-25	10	L99020	2-11	11	L99261	2-5	13
L98301	2-25	11	L99023	2-11	09	L99262	2-5	15
L98302	2-25	12	L99025	2-11	10	L99264	2-7	07
L98304	2-25	14	L99027	2-11	12	L99264	2-7	28
L98305	2-25	17	L99029	2-5	09	L99265	2-7	40
L98307	2-25	21	L99029	2-11	13	L99265	2-7	09
L98307	2-25	19	L99029	2-5	11	L99266	2-7	14
L98308	2-25	20	L99029	2-5	07	L99267	2-7	17
L98310	2-25	29	L99029	2-7	33	L99269	2-7	23
L98311	2-25	28	L99029	2-7	39	L99270	2-7	27
L98312	2-25	27	L99029	2-5	14	L99271	2-19	04
L98313	2-25	26	L99029	2-7	31	L99283	2-7	11
L98314	2-25	30	L99030	2-26	02			
L98315	2-25	30A	L99031	2-13	07			
L98317	2-26	05	L99032	2-13	06			
L98924	2-7	13	L99033	2-26	01			
L98925	2-7	03	L99034	2-25	15			
L98926	2-7	06	L99035	2-25	16			
L98928	2-7	08	L99036	2-25	18			
L98931	2-7	29	L99038	2-19	20			
L98932	2-7	30	L99038	2-19	26			
L98935	2-7	37	L99039	2-17	23			
L98938	2-5	04	L99040	2-22	01			
L98939	2-5	05	L99041	2-22	03			
L98942	2-9	05	L99042	2-22	05			
L98942	2-9	01	L99043	2-22	06			
L98943	2-9	02	L99045	2-7	34			
L98944	2-9	03	L99060	2-5	10			
L98945	2-9	04	L99184	2-11	14			
L98947	2-9	08	L99246	2-5	02			
L98948	2-11	01	L99246	2-5	06			
L98949	2-11	02	L99246	2-7	16			
L98950	2-11	15	L99246	2-5	01			
L98951	2-11	16	L99246	2-7	11			
L98952	2-11	17	L99246	2-7	04			
L98953	2-11	18	L99248	2-7	12			
L98954	2-11	19	L99248	2-7	01			
L98956	2-3	09	L99249	2-7	05			
L98957	2-25	06A	L99250	2-7	18			
L98958	2-25	09	L99251	2-7	20			
L98959	2-25	13	L99253	2-7	26			
L98960	2-25	31	L99253	2-15	46			
L98964	2-19	05	L99255	2-15	45			
L98964	2-17	04	L99256	2-13	09			
L98970	2-22	02	L99257	2-3	44			
L98970	2-23	17	L99257	2-15	44			
L99013	2-7	19	L99258	2-3	31			
L99018	2-7	32	L99258	2-17	31			
L99018	2-7	38	L99259	2-3	43			
L99018	2-5	12	L99259	2-19	43			

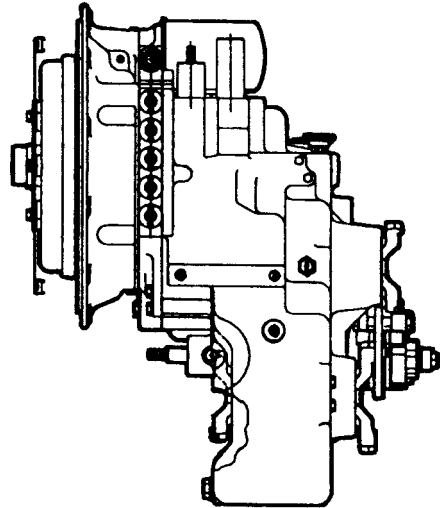


# **T12000**

## **Clark**

### **Transmission**

**Model No.**  
**1102-T12366-1**



# **SERVICE PARTS**



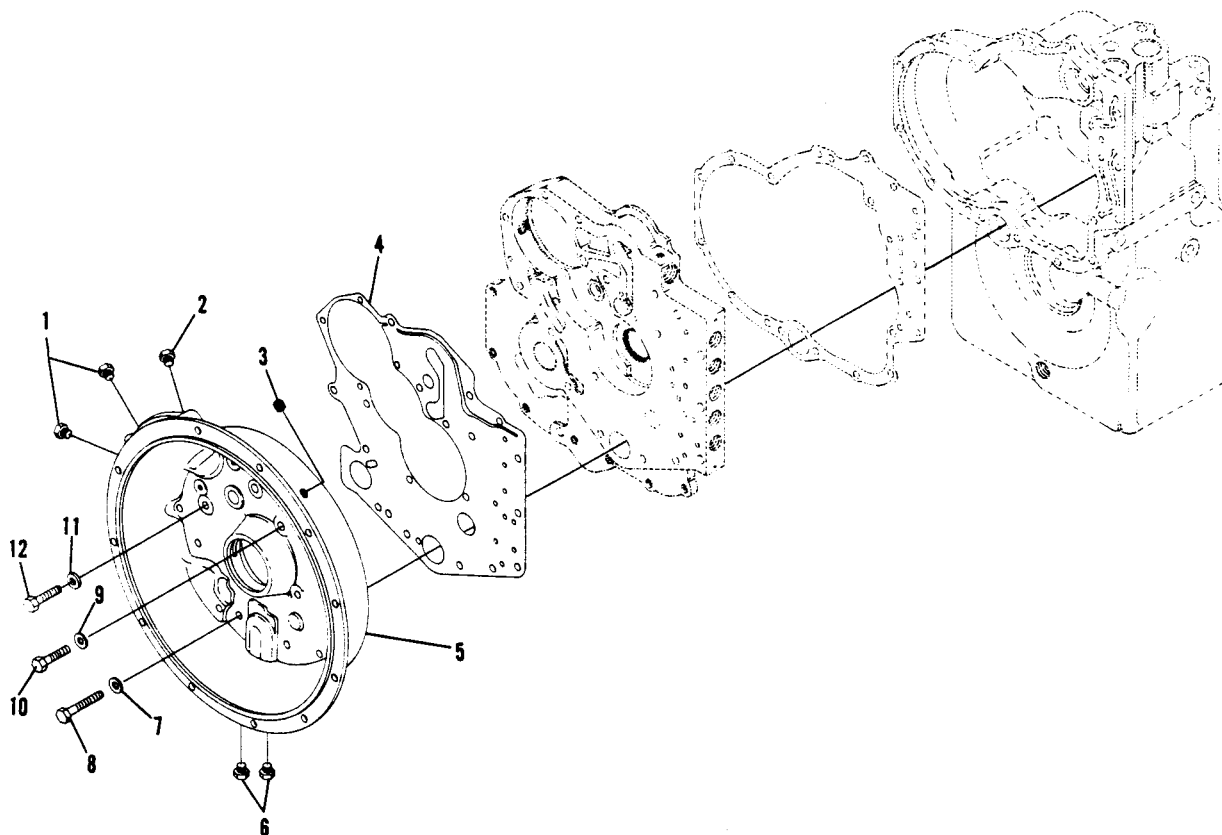
Section Contents . . . . . **3-1**  
290740 - Special Parts Group . . . . . **3-3**  
267072 - Converter Housing Group . . . . . **3-4**  
267388 - Case and Plate Group . . . . . **3-6**  
267164 - Torque Converter Group . . . . . **3-8**  
267396 - Pump Drive Group . . . . . **3-9**  
267078 - Charge Pump Group . . . . . **3-10**  
267079 - Reverse Idler Group . . . . . **3-12**  
267169 - Forward/Reverse Shaft Group . . . . . **3-14**  
267185 - 3rd and Output Shaft Group . . . . . **3-16**  
267082 - 1st and 2nd Shaft Group . . . . . **3-18**  
267083 - Output Shaft Group . . . . . **3-20**  
267270 - Disc Brake Group . . . . . **3-22**  
246401 - Brake Caliper Assembly . . . . . **3-23**  
267172 - Electric Control With Modulation Group . . . . . **3-24**  
267086 - Drive Plate Group . . . . . **3-26**  
Numerical Index . . . . . **3-27**

**This Page Intentionally Blank**

***Special Parts Group***

Ref. No.	Part No.	Description	Qty. Req.	Ref. No.	Part No.	Description	Qty. Req.	
<b>PAGE 12/13</b>				<b>PAGE 18/19</b>				
09	L98955	REV. IDLER GEAR (26T) . . . . .	1	43	L98968	1ST CLUTCH GEAR & BRG. ASY (Incl. Items 44,45) . . . . .	1	
<b>PAGE 14/15</b>					44	L98253	BEARING. . . . .	1
41	L98253	FWD. CLUTCH GEAR BRG. . . . .	1	45	L98253	BEARING. . . . .	1	
42	L98254	FWD. CLUTCH GEAR SPACER. . . . .	1	46	L98276	2ND CLUTCH GEAR & BRG. ASY (Incl. Items 47,48)	1	
43	L98253	FWD. CLUTCH GEAR BRG. . . . .	1	47	L98253	BEARING. . . . .	1	
44	L98255	FWD. CLUTCH GEAR . . . . .	1	48	L98253	BEARING. . . . .	1	
		& BRG. ASY. (Incl. Items 41-43)		49	L98277	3RD DRIVEN GEAR (18T) . . . . .	1	
45	L98962	REV. CLUTCH GEAR. . . . .	1	<b>PAGE 20/21</b>				
		& BRG. ASY. (Incl. Items 46-48)		18	L98284	OUTPUT SHAFT GEAR (40T) . . . . .	1	
46	L98253	REV. CLUTCH GEAR BRG. . . . .	1					
47	L98254	REV. CLUTCH GEAR SPACER . . . . .	1					
48	L98253	REV. CLUTCH GEAR BRG. . . . .	1					
<b>PAGE 16/17</b>								
31	L98965	1ST DRIVE GEAR (29T) . . . . .	1					
32	L98270	3RD GEAR & OUTPUT SHAFT (46T). . . . .	1					

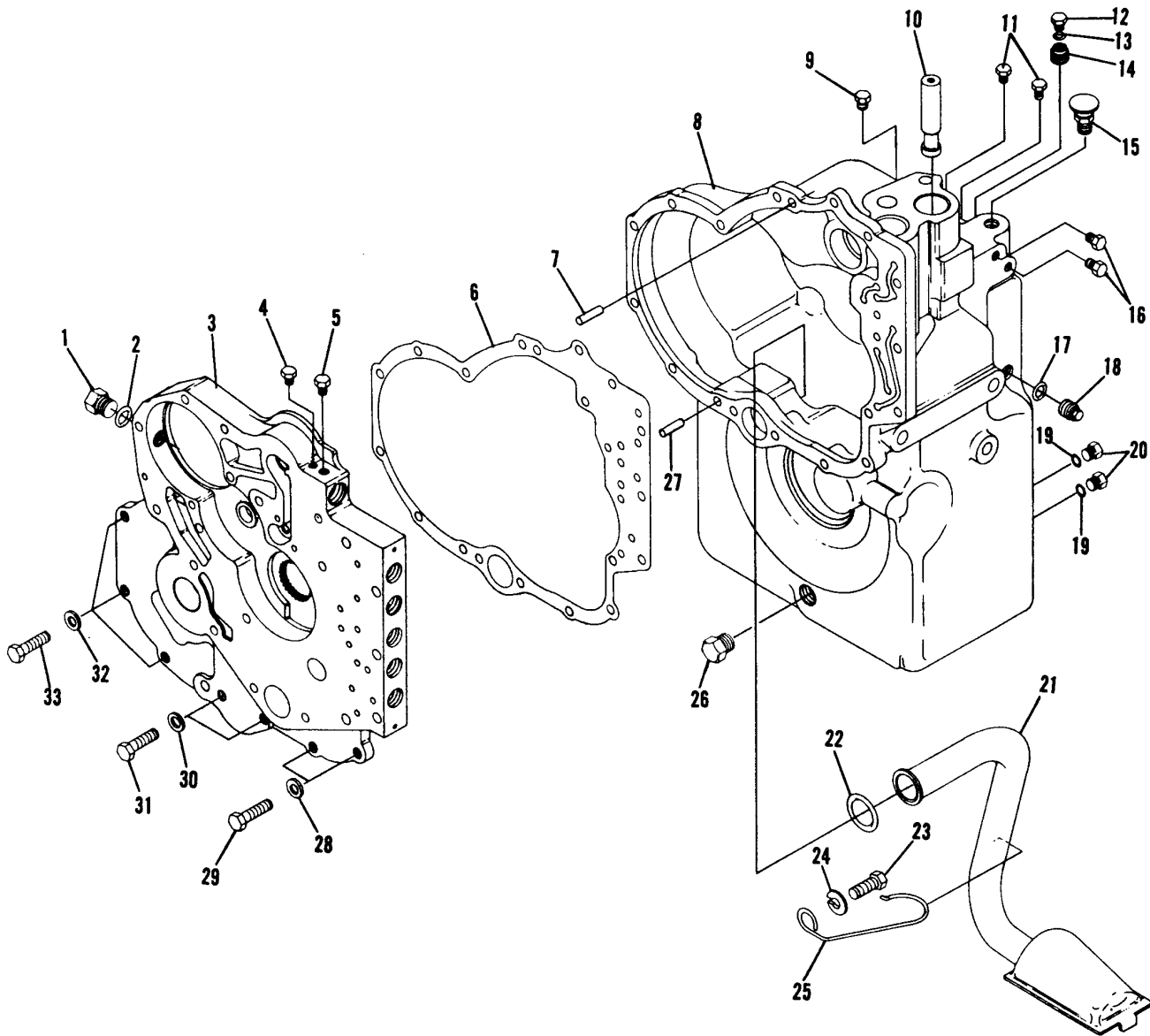
**Converter Housing Group**



***Converter Housing Group***

<b>Ref. No.</b>	<b>Part No.</b>	<b>Description</b>	<b>Qty. Req.</b>	<b>Ref. No.</b>	<b>Part No.</b>	<b>Description</b>	<b>Qty. Req.</b>
01	L99246	Plug (Hi & 3rd Port) . . . . .	2	08	L99247	Conv. Hsg. to Trans.	
02	L99246	Reg. Pressure Port Plug. . . . .	1			Case Screw . . . . .	10
03	L97508	Plug . . . . .	1	09	L99029	Conv. Hsg. to Plate	
04	L98186	Housing to Plate Gasket. . . . .	1			Screw Lockwasher . . . . .	1
05	L98187	Converter Housing . . . . .	1	10	L99247	Conv. Hsg. to Plate Screw . . . . .	1
06	L99246	Plug (1st & 2nd Port) . . . . .	2	11	L99029	Conv. Hsg. to Plate . . . . .	6
07	L99029	Conv. Hsg. to Trans. Case				Screw Lockwasher	
		Screw Lockwasher . . . . .	10	12	L99044	Conv. Hsg. to Plate Screw . . . . .	6

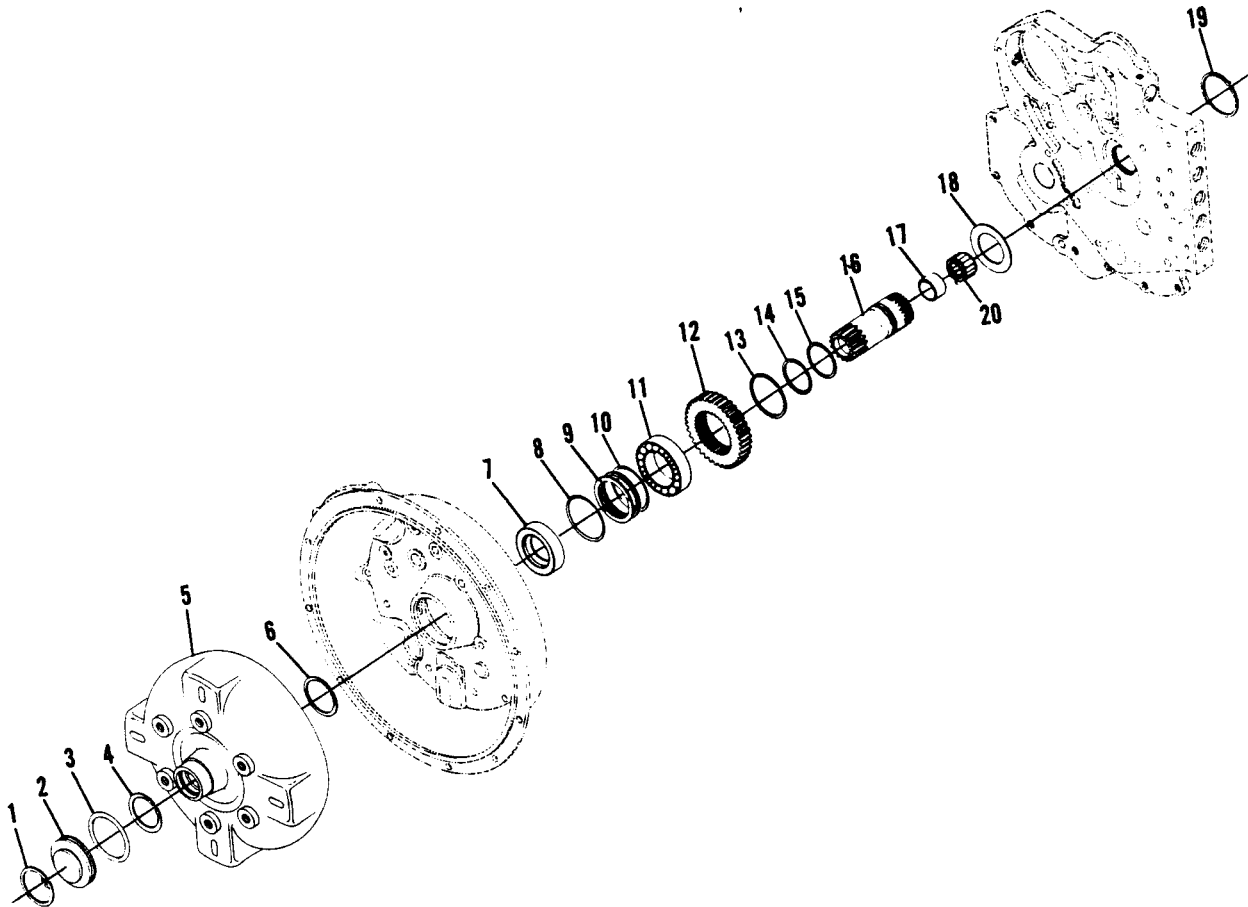
Case & Plate Group



***Case & Plate Group***

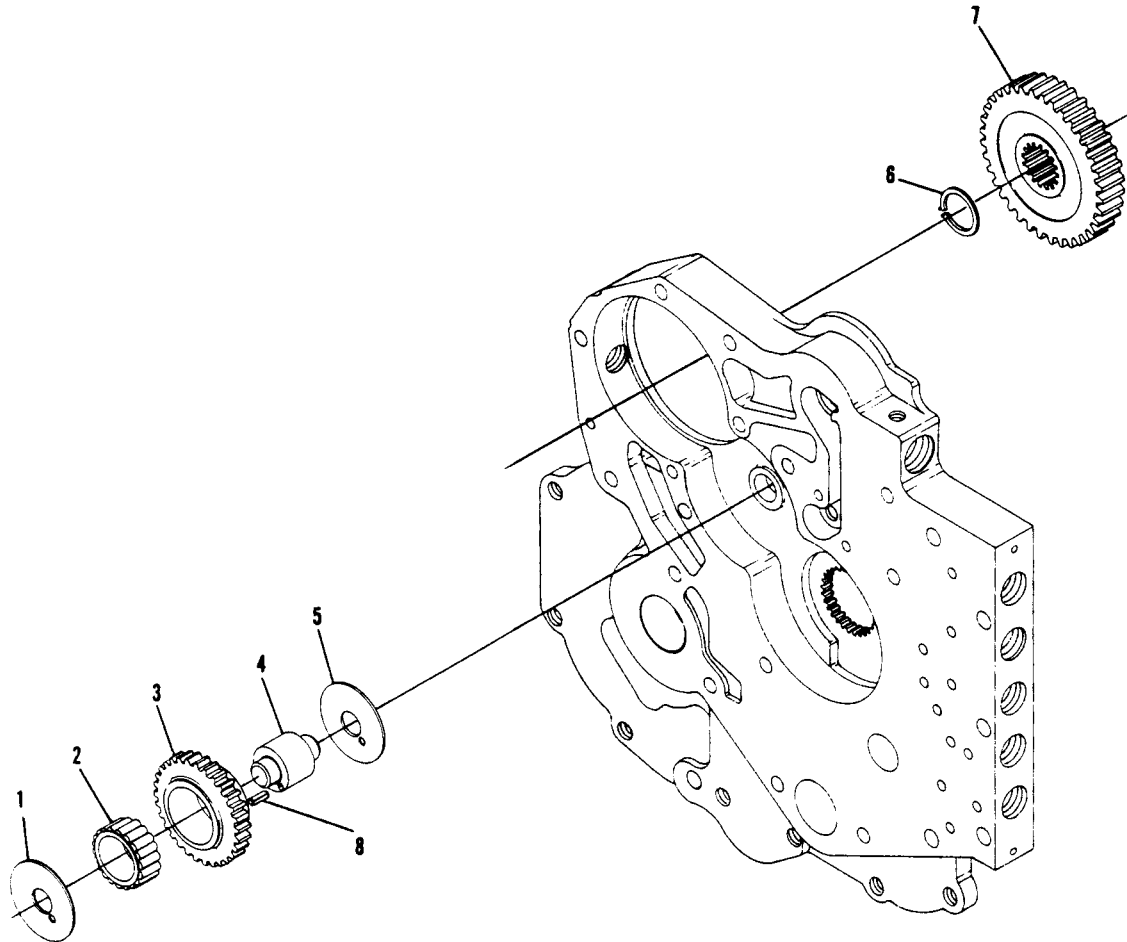
<b>Ref. No.</b>	<b>Part No.</b>	<b>Description</b>	<b>Qty. Req.</b>	<b>Ref. No.</b>	<b>Part No.</b>	<b>Description</b>	<b>Qty. Req.</b>
01	L99248	Sensor Port Plug . . . . .	1	21	L98184	Tube & Screen Assembly . . . . .	1
02	L98924	Sensor Port Plug Washer . . . . .	1	22	L98185	Oil Supply Tube Seal Ring . . . . .	1
03	L98178	Spacer Plate . . . . .	1	23	L99252	Retainer Clip Screw . . . . .	1
04	L99246	Inlet Pressure Port Plug . . . . .	1	24	L99029	Retainer Clip Screw Lockwasher . . . . .	1
05	L99249	Outlet Temperture Port Plug . . . . .	1	25	L98176	Oil Supply Tube Retainer Clip . . . . .	1
06	L98179	Plate to Transmission Case Gasket . . . . .	1	26	L99253	Magnetic Drain Plug . . . . .	1
07	L98177	Plate to Transmission Case Dowel Pin . . . . .	1	27	L98177	Plate to Transmission Case Dowel Pin . . . . .	1
08	L98180	Transmission Case . . . . .	1	28	L99029	Plate to Transmission Case Screw Lockwasher . . . . .	2
09	L99015	Filler Plug . . . . .	1	29	L99044	Plate to Transmission Case Screw . . . . .	2
10	L98181	Diverter Sleeve . . . . .	1	30	L99029	Plate to Transmission Case Screw Lockwasher . . . . .	2
11	L99246	Pipe Plug . . . . .	2	31	L99254	Plate to Transmission Case Screw . . . . .	2
12	L99248	Auto Shift Sensor Port Plug . . . . .	1	32	L99029	Plate to Transmission Case Screw Lockwasher . . . . .	3
13	L98924	Sensor Port Plug "0" Ring . . . . .	1	33	L99044	Plate to Transmission Case Screw . . . . .	3
14	L98182	Sensor Adjusting Bushing . . . . .	1				
15	L94824	Air Breather . . . . .	1				
16	L99246	Pipe Plug . . . . .	2				
17	L99267	Plug Sealing Ring . . . . .	1				
18	L99250	Speedo Sensor Plug . . . . .	1				
19	L99013	Plug "0" Ring . . . . .	2				
20	L99251	Oil Level Plug . . . . .	2				

**Torque Converter Group**



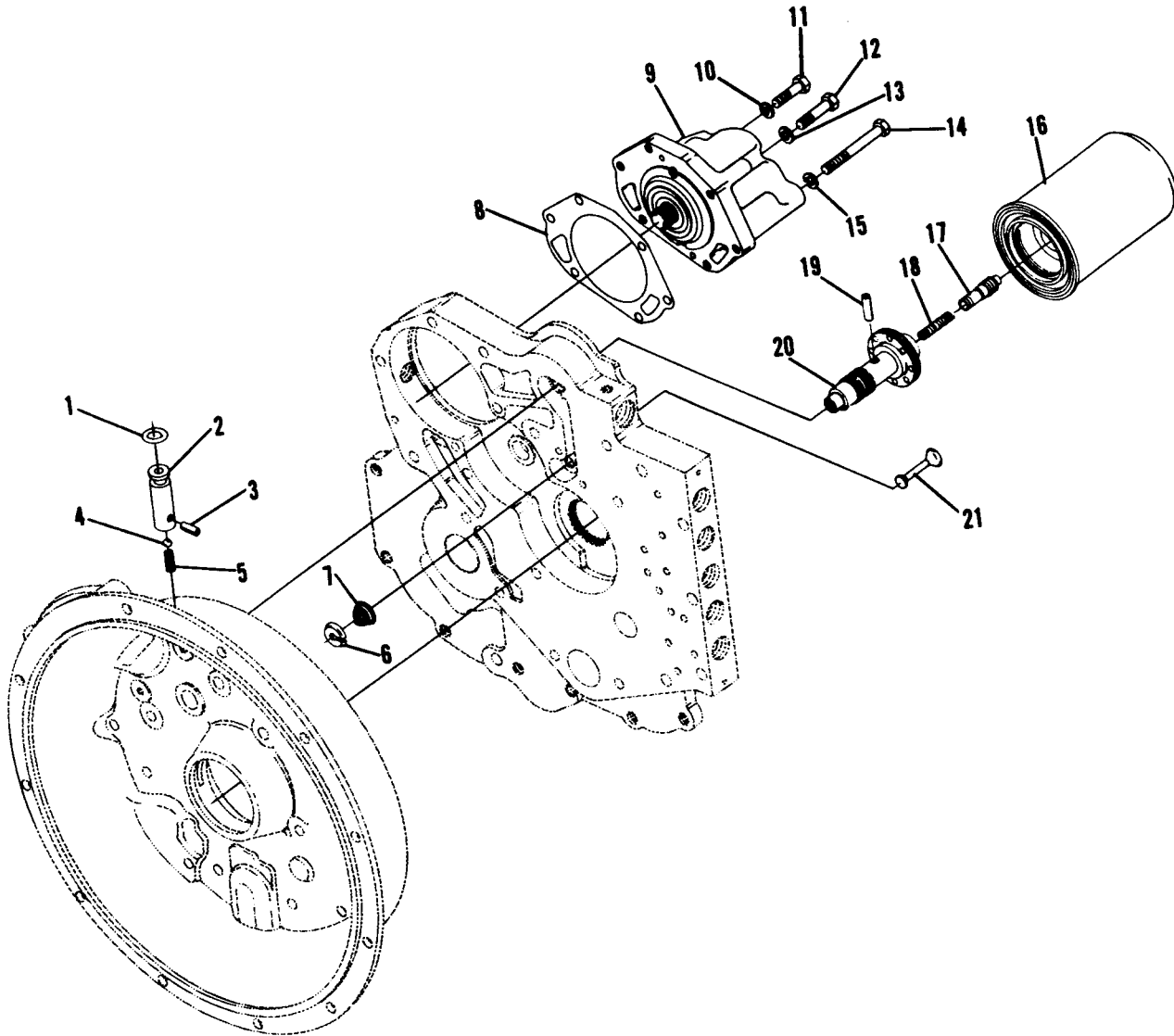
Ref. No.	Part No.	Description	Qty. Req.	Ref. No.	Part No.	Description	Qty. Req.
01	L98188	Plug Snap Ring . . . . .	1	12	L98199	Impeller Hub Gear (35T). . . . .	1
02	L98189	Torque Converter Plug . . . . .	1	13	L98200	Stator Support Snap Ring. . . . .	1
03	L98190	Torque Converter Plug "O" Ring . . .	1	14	L98201	Stator Support Piston Ring . . . . .	1
04	L98191	Impeller Hub Snap Ring . . . . .	1	15	L98202	Stator Support Piston . . . . .	1
05	L98192	Torque Converter Asy. . . . .	1			Ring Expander	
06	L98191	Impeller Hub Snap Ring . . . . .	1	16	L98203	Stator Support Asy . . . . .	1
07	L98194	Conv. Hsg. Oil Seal . . . . .	1			(Inc. Item 17 & 20)	
08	L98195	Oil Distributor Ring "O"Ring . . . . .	1	17	L98204	Bushing (Inc. in Item 16) . . . . .	1
09	L98196	Oil Distributor Ring . . . . .	1	18	L98205	Impeller Hub Gear Washer . . . . .	1
10	L98195	Oil Distributor Ring "O"Ring . . . . .	1	19	L98206	Stator Support Snap Ring. . . . .	1
11	L98198	Torque Conv. Bearing. . . . .	1	20	L98197	Bearing (Inc. In Item #16). . . . .	1

**Pump Drive Group**



Ref. No.	Part No.	Description	Qty. Req.	Ref. No.	Part No.	Description	Qty. Req.
01	L98942	Pump Drive Idler Thrust Washer . . .	1	05	L98942	Pump Drive Idler Thrust Washer . . .	1
02	L98943	Idler Gear Bearing . . . . .	1	06	L98212	Pump Drive Gear Ret Snap Ring . .	1
03	L98944	Pump Drive Idler Gear (31T) . . . . .	1	07	L98211	Pump Drive Gear (34T) . . . . .	1
04	L98945	Pump Drive Idler Shaft & Pin Asy. . .	1	08	L98947	Roll Pin (Incl. in Item #4) . . . . .	1
		(Incl. Item #8)					

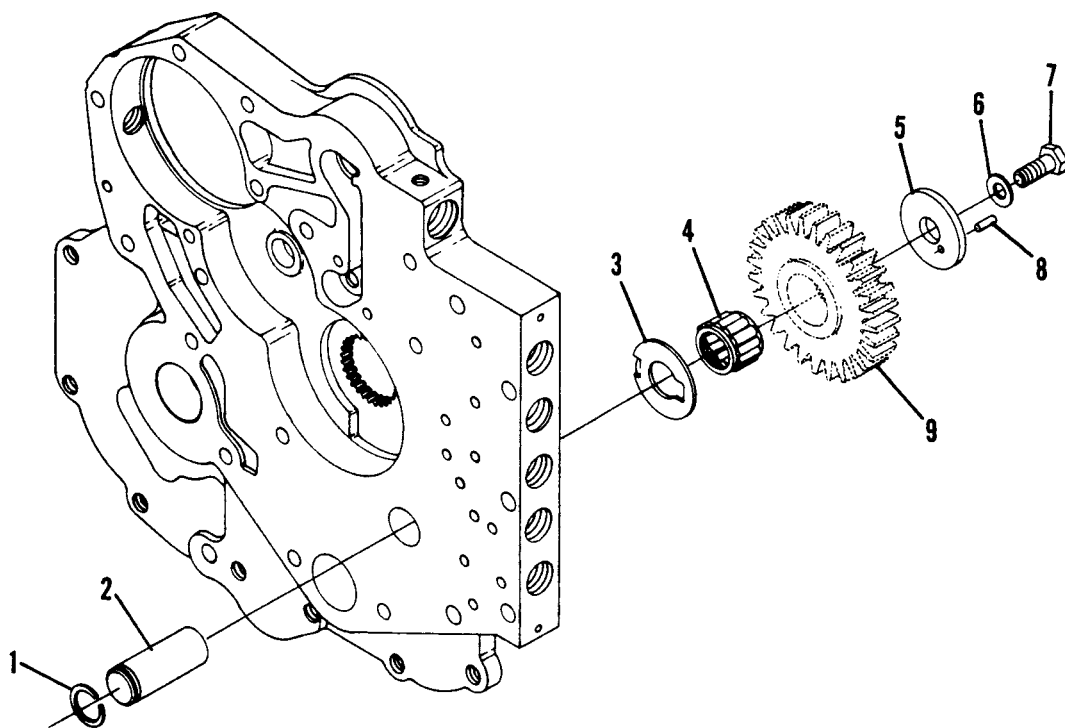
**Charge Pump w/Filter Group**



***Charge Pump w/Filter Group***

<b>Ref. No.</b>	<b>Part No.</b>	<b>Description</b>	<b>Qty. Req.</b>	<b>Ref. No.</b>	<b>Part No.</b>	<b>Description</b>	<b>Qty. Req.</b>
01	L98193	"O"Ring . . . . .	1	12	L99026	Pump Mtg. Screw. . . . .	1
02	L98213	Ball Check Valve Asy. . . . .	1	13	L99022	Pump Mtg. Screw Lockwasher . . . .	1
		(Inc. Items 1 thru 5)		14	L99028	Pump Mtg. Screw. . . . .	1
03	L98214	Pin . . . . .	1	15	L99030	Pump Mtg. Screw Lockwasher . . . .	1
04	L98215	Ball . . . . .	1	16	L99184	Filter Assembly. . . . .	1
05	L98216	Spring . . . . .	1	17	L98222	Piston . . . . .	1
06	L98217	Poppet Washer . . . . .	1	18	L98223	Spring . . . . .	1
07	L98218	Spring . . . . .	1	19	L98224	Pin . . . . .	1
08	L98219	Charging Pump Gasket . . . . .	1	20	L98225	Sleeve . . . . .	1
09	L98220	Charging Pump . . . . .	1	21	L98226	Safety Valve Poppet. . . . .	1
10	L99022	Pump Mtg. Screw Lockwasher . . . .	1	22	L98227	Regulator Valve Asy. . . . .	1
11	L99024	Pump Mtg. Screw. . . . .	1			(Inc. Items 17 thru 20)	

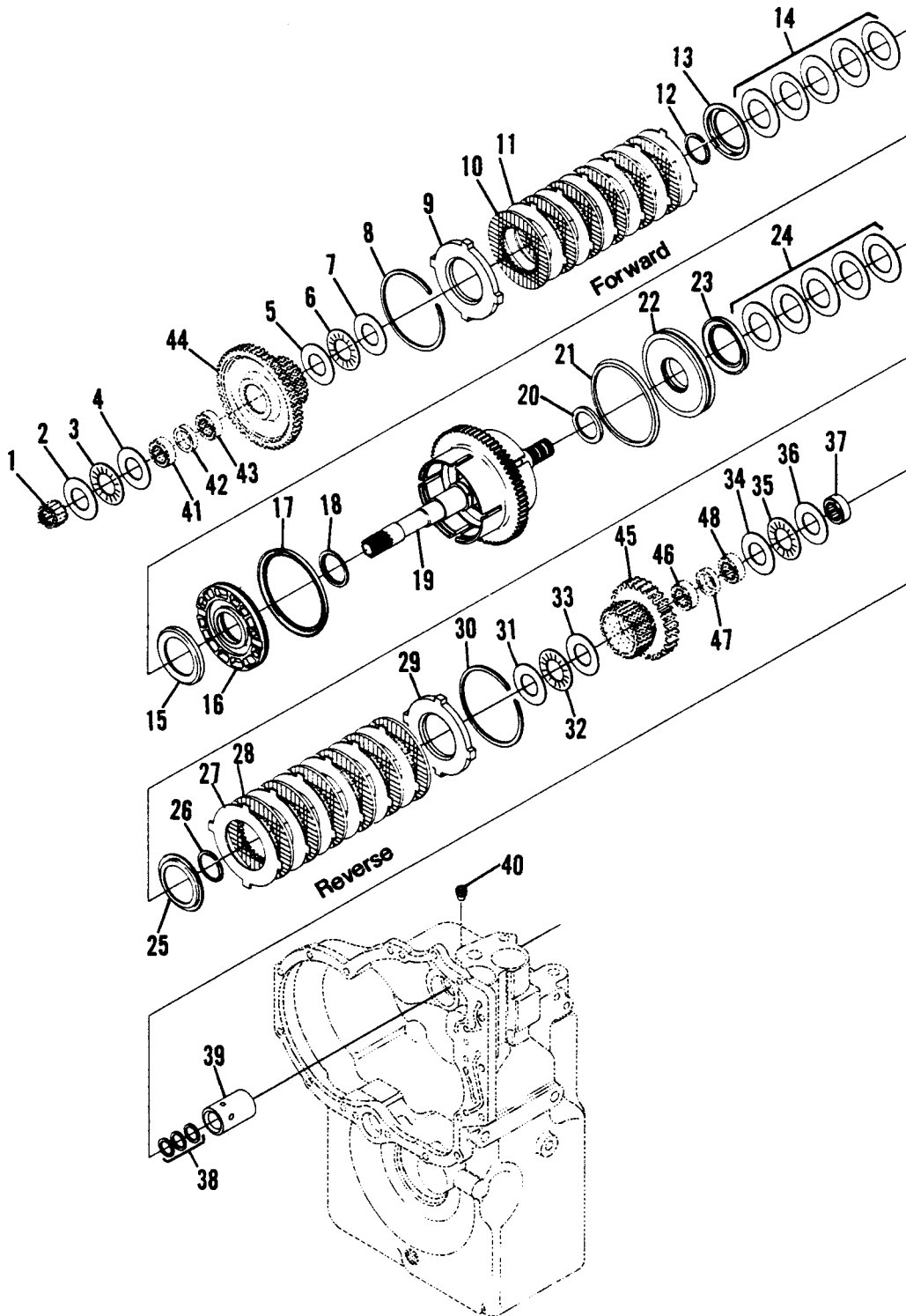
*Reverse Idler Group*



***Reverse Idler Group***

<b>Ref. No.</b>	<b>Part No.</b>	<b>Description</b>	<b>Qty. Req.</b>	<b>Ref. No.</b>	<b>Part No.</b>	<b>Description</b>	<b>Qty. Req.</b>
01	L98228	Idler Shaft Snap Ring . . . . .	1	06	L99032	End Plate Capscrew Washer . . . . .	1
02	L98229	Idler & Pilot Shaft . . . . .	1	07	L99031	Rev. Idler End Plate Capscrew . . . . .	1
03	L98230	Thrust Washer . . . . .	1	08	L98233	End Plate to Shaft Roll Pin . . . . .	1
04	L98231	Reverse Idler Gear Bearing . . . . .	1	09	L98955	Reverse Idler Gear . . . . .	1
05	L98232	End Plate . . . . .	1				

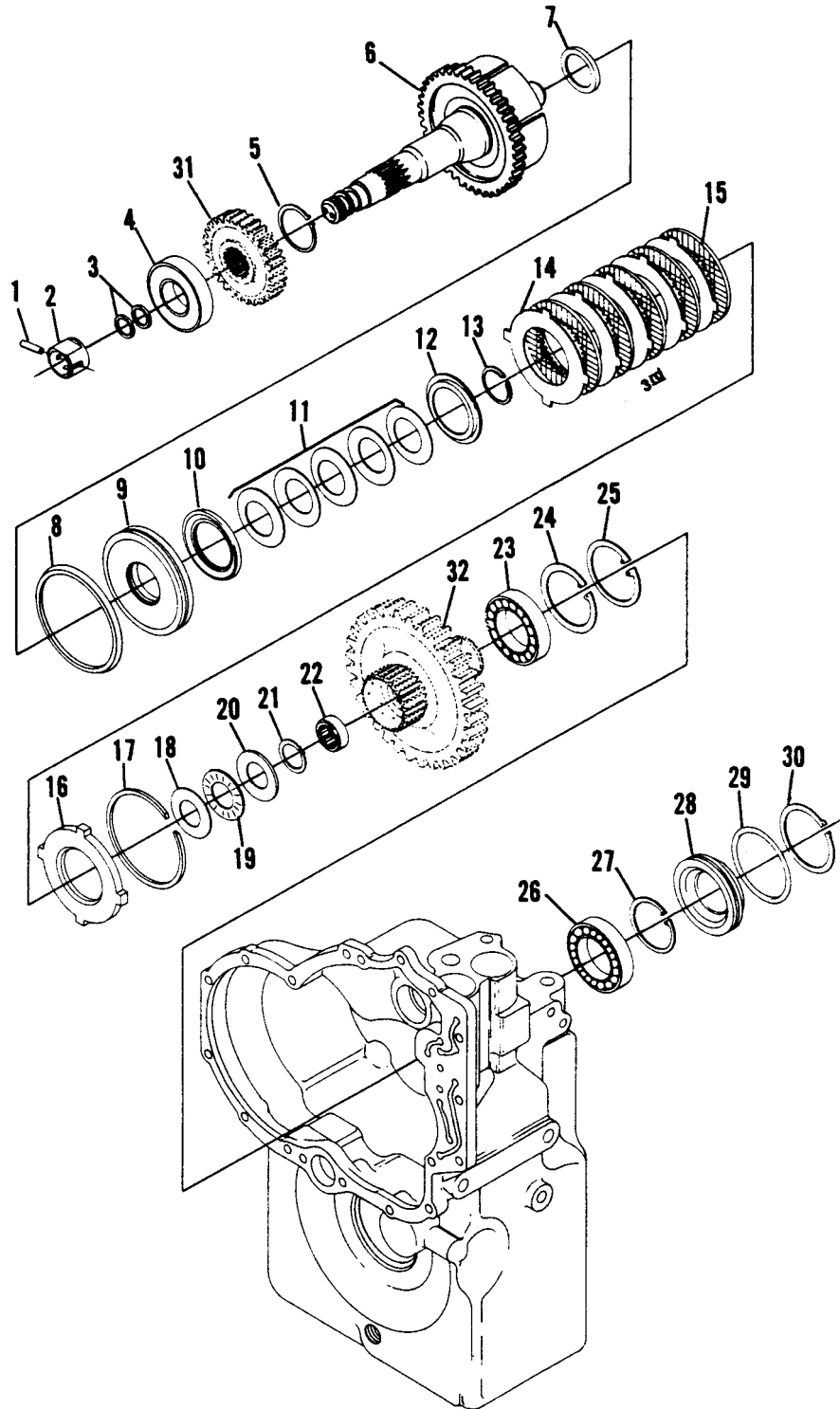
### Forward & Reverse Shaft Group



***Forward & Reverse Shaft Group***

<b>Ref. No.</b>	<b>Part No.</b>	<b>Description</b>	<b>Qty. Req.</b>	<b>Ref. No.</b>	<b>Part No.</b>	<b>Description</b>	<b>Qty. Req.</b>
01		Turbine Shaft Front Bearing <i>(See Converter Group)</i>		26	L98241	Retainer Snap Ring . . . . .	1
02	L98235	Clutch Gear Thrust Washer . . . . .	1	27	L98240	Outer Disc - Reverse Clutch . . . . .	6
03	L98236	Clutch Gear Thrust Washer Brg. . . . .	1	28	L98239	Inner Disc - Reverse Clutch . . . . .	6
04	L98235	Clutch Gear Thrust Washer . . . . .	1	29	L98238	End Plate . . . . .	1
05	L98235	Clutch Gear Thrust Washer . . . . .	1	30	L98237	End Plate Snap Ring . . . . .	1
06	L98236	Clutch Gear Thrust Washer Brg. . . . .	1	31	L98235	Clutch Gear Thrust Washer . . . . .	1
07	L98235	Clutch Gear Thrust Washer . . . . .	1	32	L98236	Clutch Gear Thrust Washer Brg. . . . .	1
08	L98237	End Plate Snap Ring . . . . .	1	33	L98235	Clutch Gear Thrust Washer . . . . .	1
09	L98238	End Plate . . . . .	1	34	L98235	Clutch Gear Thrust Washer . . . . .	1
10	L98239	Inner Disc-Forward Clutch . . . . .	6	35	L98236	Clutch Gear Thrust Washer Brg. . . . .	1
11	L98240	Outer Disc-Forward Clutch . . . . .	6	36	L98235	Clutch Gear Thrust Washer . . . . .	1
12	L98241	Retainer Snap Ring . . . . .	1	37	L98249	Thrbine Shaft Rear Bearing . . . . .	1
13	L98242	Snap Ring Retainer . . . . .	1	38	L98250	Piston Ring . . . . .	3
14	L98243	Disc Washer (Spring) . . . . .	5	39	L98251	Oil Distributor Sleeve . . . . .	1
15	L98244	Clutch Piston Wear Plate . . . . .	1	40	L98252	Retainer Screw . . . . .	1
16	L98245	Clutch Piston . . . . .	1	41	L98253	Bearing . . . . .	1
17	L98246	Clutch Piston Seal - Outer . . . . .	1	42	L98254	Spacer . . . . .	1
18	L98247	Clutch Piston Seal - Inner. . . . .	1	43	L98253	Bearing . . . . .	1
19	L98248	Turbine Shaft Drum & Plug Asy. . . . .	1	44	L98255	Fwd. Clutch Gear & Brg. Asy. . . . .	1
20	L98247	Clutch Piston Seal - Inner. . . . .	1			(Incl. Items 41 thru 43)	
21	L98246	Clutch Piston Seal - Outer . . . . .	1	45	L98962	Rev. Clutch Gear & Brg. Asy. . . . .	1
22	L98245	Clutch Piston . . . . .	1			(Incl. Items 46 thru 48)	
23	L98244	Clutch Piston Wear Plate . . . . .	1	46	L98253	Bearing . . . . .	1
24	L98243	Disc Washer (Spring) . . . . .	5	47	L98254	Spacer - <i>See Special Parts Sect.</i> . . . . .	1
25	L98242	Snap Ring Retainer . . . . .	1	48	L98253	Bearing - <i>See Special Parts Sect.</i> . . . . .	1

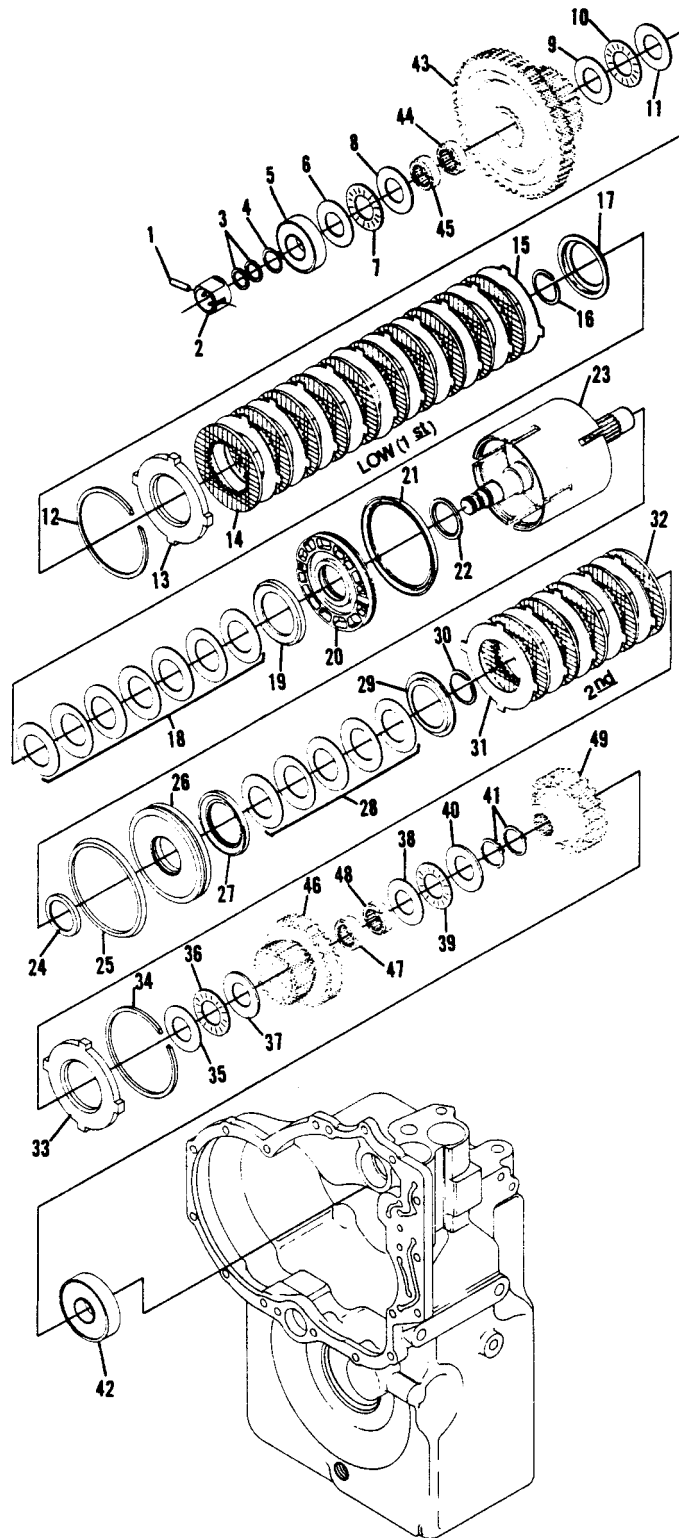
**3rd & Output Shaft Group**



***3rd & Output Shaft Group***

<b>Ref. No.</b>	<b>Part No.</b>	<b>Description</b>	<b>Qty. Req.</b>	<b>Ref. No.</b>	<b>Part No.</b>	<b>Description</b>	<b>Qty. Req.</b>
01	L98257	Sleeve Locating Screw . . . . .	1	17	L98237	End Plate Snap Ring . . . . .	1
02	L98258	Oil Distributor Sleeve . . . . .	1	18	L98235	Clutch Gear Thrust Washer . . . . .	1
03	L98250	Piston Ring . . . . .	2	19	L98236	Clutch Gear Thrust Washer Brg. . . . .	1
04	L98259	Bearing & Seal Asy. . . . .	1	20	L98235	Clutch Gear Thrust Washer . . . . .	1
05	L98260	Gear Hub Snap Ring . . . . .	1	21	L98271	Thrust Washer Ret. Snap Ring . . . . .	1
06	L98261	3rd Shaft, Drum, & Plug Asy. . . . .	1	22	L98263	3rd Clutch Gear Bearing. . . . .	1
07	L98247	Clutch Piston Inner Seal . . . . .	1	23	L99039	Rear Bearing . . . . .	1
08	L98246	Clutch Piston Outer Seal . . . . .	1	24	L98264	Rear Bearing Ret. Snap Ring . . . . .	1
09	L98262	Clutch Piston & Ball Seat Asy. . . . .	1	25	L98264	Output Shaft Brg. Snap Ring . . . . .	1
10	L98244	Clutch Piston Wear Plate . . . . .	1	26	L98282	Output Shaft Bearing . . . . .	1
11	L98243	Disc Washer (Spring) . . . . .	5	27	L98266	Output Shaft Brg. Ret. Snap Ring. . . . .	1
12	L98242	Snap Ring Retainer . . . . .	1	28	L98267	Plug - Capped End. . . . .	1
13	L98241	Retainer Snap Ring . . . . .	1	29	L98268	Oil Seal Sleeve "0" Ring. . . . .	1
14	L98240	Outer Disc - 3rd Clutch. . . . .	5	30	L98264	Output Shaft Brg. Snap Ring . . . . .	1
15	L98239	Inner disc - 3rd Clutch . . . . .	5	31	L98965	1st Drive Gear . . . . .	1
16	L98238	End Plate. . . . .	1	32	L98270	3rd Gear & Shaft . . . . .	1

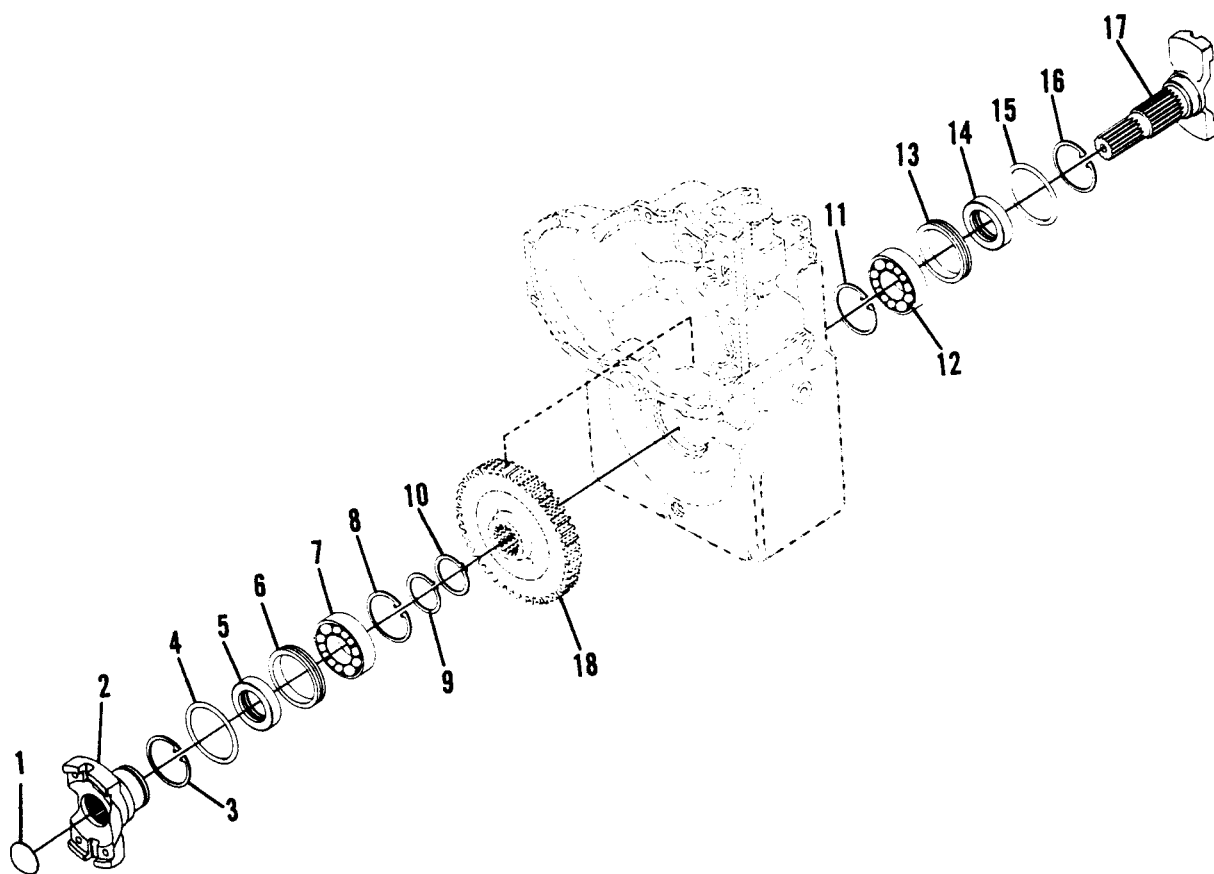
### 1st & 2nd Shaft Group



***1st & 2nd Shaft Group***

<b>Ref. No.</b>	<b>Part No.</b>	<b>Description</b>	<b>Qty. Req.</b>	<b>Ref. No.</b>	<b>Part No.</b>	<b>Description</b>	<b>Qty. Req.</b>
01	L98257	Sleeve Locating Screw . . . . .	1	27	L98244	Clutch Piston Wear Plate . . . . .	1
02	L98272	Oil Distributor Sleeve . . . . .	1	28	L98243	2nd Clutch Disc Washer (Spring) . . .	5
03	L98250	Piston Ring . . . . .	2	29	L98242	Snap Ring Retainer . . . . .	1
04	L98273	Bearing Retaining -Snap Ring . . . .	1	30	L98241	Retainer Snap Ring . . . . .	1
05	L98259	Bearing & Seal Assembly . . . . .	1	31	L98240	Outer Disc - 2nd Clutch . . . . .	5
06	L98235	Clutch Gear Thrust Washer . . . . .	1	32	L98239	Inner Disc - 2nd Clutch. . . . .	5
07	L98236	Clutch Gear Thrust Washer Brg. . . .	1	33	L98238	End Plate . . . . .	1
08	L98235	Clutch Gear Thrust Washer . . . . .	1	34	L98237	End Plate Snap Ring . . . . .	1
09	L98235	Clutch Gear Thrust Washer . . . . .	1	35	L98235	Clutch Gear Thrust Washer . . . . .	1
10	L98236	Clutch Gear Thrust Washer Brg. . . .	1	36	L98236	Clutch Gear Thrust Washer Brg. . . .	1
11	L98235	Clutch Gear Thrust Washer . . . . .	1	37	L98235	Clutch Gear Thrust Washer . . . . .	1
12	L98237	End Plate Snap Ring . . . . .	1	38	L98235	Clutch Gear Thrust Washer . . . . .	1
13	L98238	End Plate . . . . .	1	39	L98236	Clutch Gear Thrust Washer Brg. . . .	1
14	L98239	Inner Disc - 1st Clutch . . . . .	10	40	L98235	Clutch Gear Thrust Washer . . . . .	1
15	L98240	Outer Disc - 1st Clutch . . . . .	10	41	L98260	2nd Clutch Gear Hub Snap Ring . . .	2
16	L98241	Retainer Snap Ring . . . . .	1	42	L98275	Rear Bearing . . . . .	1
17	L98242	Snap Ring Retainer . . . . .	1	43	L98968	1st Clutch Gear & Brg. Asy. . . . .	1
18	L98243	1st Clutch Disc Washer (Spring) . . .	1			(Incl. Items 44,45)	
19	L98244	Clutch Piston Wear plate . . . . .	1	44	L98253	Bearing . . . . .	1
20	L99038	Clutch Piston . . . . .	1	45	L98253	Bearing . . . . .	1
21	L98246	Clutch Piston Seal - Outer . . . . .	1	46	L98276	2nd Clutch Gear & Brg. Assy. . . . .	1
22	L98247	Clutch Piston Seal - Inner. . . . .	1			(Incl. Items 47,48)	
23	L98274	1st & 2nd Shaft, Drum & Plug Asy. . .	1	47	L98253	Bearing . . . . .	1
24	L98247	Clutch Piston Seal - Inner. . . . .	1	48	L98253	Bearing . . . . .	1
25	L98246	Clutch Piston Seal - Outer . . . . .	1	49	L98277	3rd Driven Gear1 . . . . .	1
26	L99038	Clutch Piston . . . . .	1				

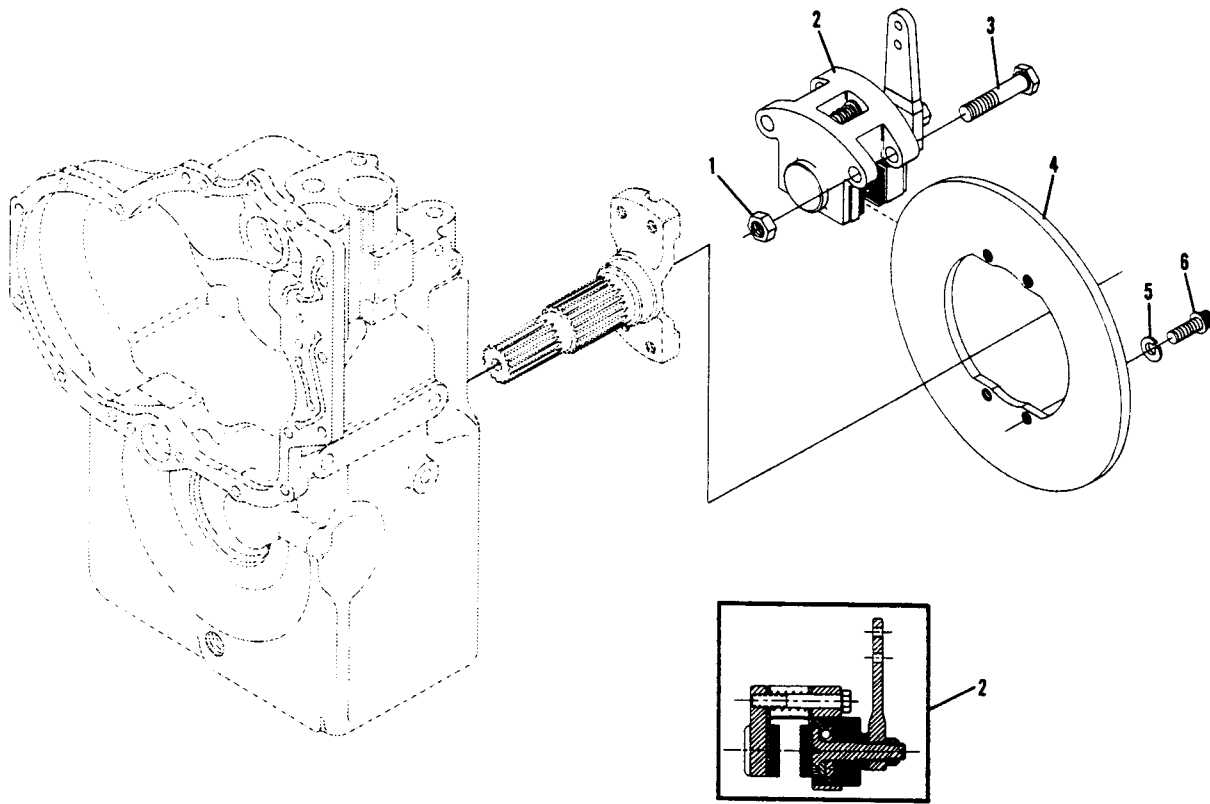
*Output Shaft Group*



***Output Shaft Group***

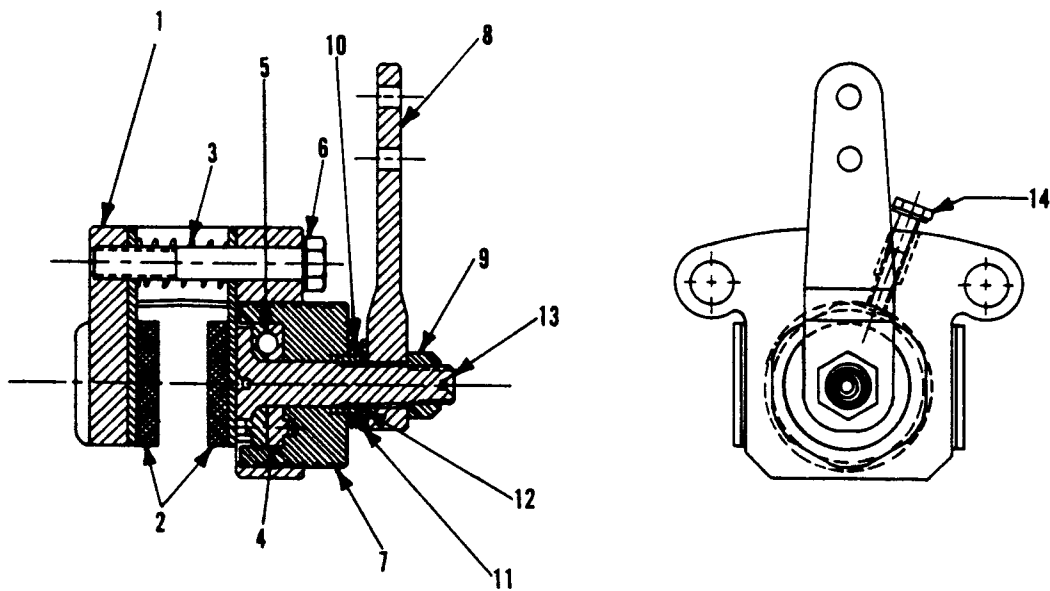
<b>Ref. No.</b>	<b>Part No.</b>	<b>Description</b>	<b>Qty. Req.</b>	<b>Ref. No.</b>	<b>Part No.</b>	<b>Description</b>	<b>Qty. Req.</b>
01	L98278	Flange Plug . . . . .	1	10	L98266	Gear Retaining Ring . . . . .	1
02	L98279	Output Flange & Plug Asy. . . . . (Inc. Item 1)	1	11	L98264	Output Shaft Brg. "O"Ring . . . . .	1
03	L98264	Output Shaft Brg. Snap Ring . . . . .	1	12	L98282	Output Shaft Bearing . . . . .	1
04	L98268	Oil Seal Sleeve "O"Ring . . . . .	1	13	L98281	Oil Seal Sleeve . . . . .	1
05	L96053	Output Shaft Oil Seal . . . . .	1	14	L96053	Output Shaft Oil Seal . . . . .	1
06	L98281	Oil Seal Sleeve . . . . .	1	15	L98268	Output Shaft Sleeve "O"Ring . . . . .	1
07	L98282	Output Shaft Bearing . . . . .	1	16	L98264	Output Shaft Brg. "O"Ring . . . . .	1
08	L98264	Output Shaft Brg. Snap Ring . . . . .	1	17	L98283	Output Shaft & Brake Flange (SC) . . . . .	1
09	L98266	Flange Retaining Ring . . . . .	1	18	L98284	Output Shaft Gear . . . . .	1

**Disc Brake Group**



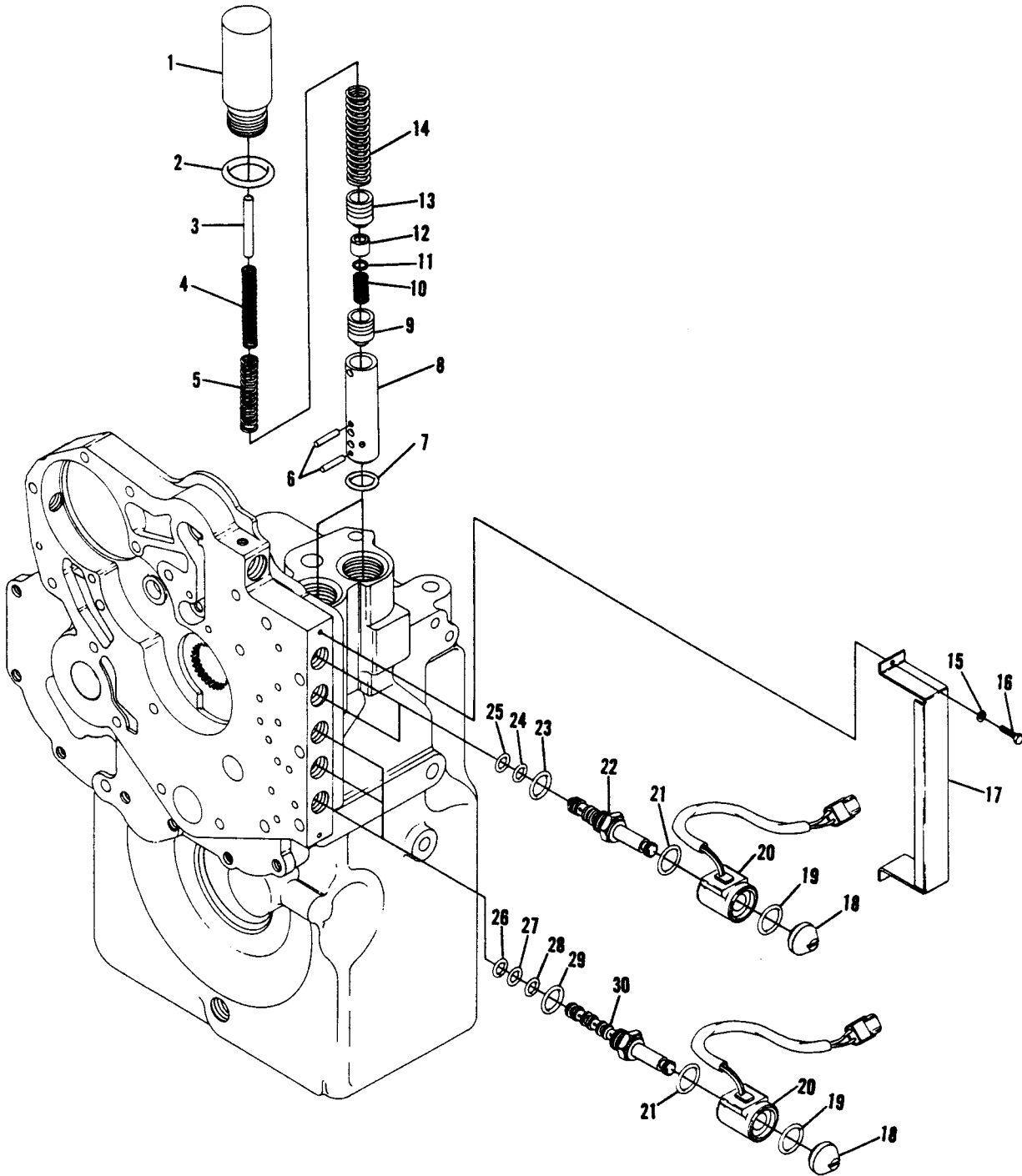
Ref. No.	Part No.	Description	Qty. Req.	Ref. No.	Part No.	Description	Qty. Req.
01	L99040	Caliper Asy. Capscrew Lock Nut . . .	2	04	L98287	Brake Disc . . . . .	1
02	L98970	Caliper Brake Asy. (See Parts List) .	1	05	L99042	Brake Disc Capscrew Lockwasher .	4
03	L99041	Caliper Assy. Mtg. Capscrew . . . . .	2	06	L99043	Brake Disc Capscrew . . . . .	4

**Brake Caliper Assembly**



Ref. No.	Part No.	Description	Qty. Req.	Ref. No.	Part No.	Description	Qty. Req.
01	NSS	Housing		11	NSS	Retainer	
02	L98288	Lining Kit . . . . .	1	12	NSS	Retainer Ring	
03	NSS	Spring		13	NSS	Piston	
04	NSS	Cam Plate		14	NSS	Capscrew	
05	NSS	Ball		15	L98290	Piston & Module Assy. Kit. . . . .	1
06	NSS	Capscrew				(Incl. Items 4,5,7 Thru 13)	
07	NSS	Body		16	L98285	Ball & Cam Repair Kit . . . . .	1
08	L98289	Lever . . . . .	1			(Incl. Items 4,5)	
09	NSS	Nut		17	L98970	Calpier Assy. . . . .	1
10	NSS	Belleville Spring				(Incl. Items 1 thru 14)	

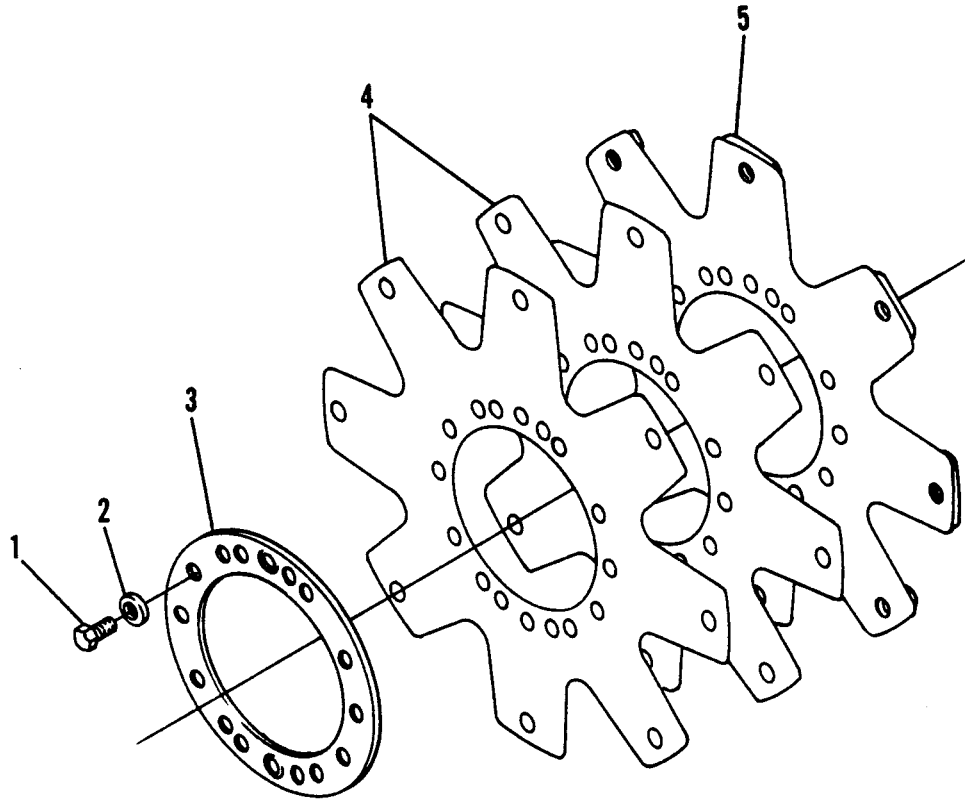
**Electric Control w/Modulation Group**



***Electric Control w/Modulation Group***

<b>Ref. No.</b>	<b>Part No.</b>	<b>Description</b>	<b>Qty. Req.</b>	<b>Ref. No.</b>	<b>Part No.</b>	<b>Description</b>	<b>Qty. Req.</b>
01	L98291	Modulator Valve Housing . . . . .	1	20	L98308	Solenoid Coil - 12 Volt . . . . .	4
02	L98292	Modulator Housing "O" Ring . . . . .	1	21	L98307	Coil to Cartridge "O"Ring . . . . .	4
03	L98293	Stop Pin . . . . .	1	22	L98309	Valve Cartridge, 2 Way. . . . .	2
04	L98294	Spring - Inner . . . . .	1			Used at Rev.& Fwd. (Incl. Items 23,24,25)	
05	L98295	Spring - Middle . . . . .	1				
06	L98296	Pin . . . . .	2	23	L98310	Cartridge "O"Ring . . . . .	2
07	L98297	Sleeve "O"Ring . . . . .	1	24	L98311	Cartridge "O"Ring . . . . .	2
08	L98298	Modulation Housing Sleeve . . . . .	1	25	L98312	Cartridge "O",Ring . . . . .	2
09	L98299	Regulator Spool . . . . .	1	26	L98313	Cartridge "O"Ring . . . . .	3
10	L98300	Spring . . . . .	1	27	L98312	Cartridge "O"Ring . . . . .	2
11	L98301	Spring Spacer. . . . .	1	28	L98311	Cartridge "O"Ring . . . . .	3
12	L98302	Spring Retainer . . . . .	1	29	L98310	Cartridge "O"Ring . . . . .	3
13	L98303	Accumulator Spool . . . . .	1	30	L98314	Valve Cartridge, 4 Way. . . . .	2
14	L98304	Spring - Outer . . . . .	1			Used at 1st & 2nd - 3rd (Incl. Items 26,27,28,29)	
15	L99034	Cover Screw Lockwasher . . . . .	2				
16	L99035	Cover Screw . . . . .	2	30A	L98315	Solenoid Bore Plug . . . . .	1
17	L98305	Protective Cover. . . . .	1			Used at Fwd.-Hi & Low (Incl. (1) of Itmes 26,28,29)	
18	L98306	Valve Cartridge Retainer Nut . . . . .	4				
19	L98307	Nut to Coil "O, Ring. . . . .	4				

**Drive Plate Group**



Ref. No.	Part No.	Description	Qty. Req.	Ref. No.	Part No.	Description	Qty. Req.
01	L99033	Drive Plate Mounting Screw		04	NNS	Drive Plate - (Incl. In Item #5)	
02	L99030	Drive Plate Mounting Screw Lockwasher		05	L98317	Drive Plate Asy. Kit (Incl. Items 1 thru 4)	
03	L97516	Drive Plate Backing Ring					

***Numerical Index***

<b>Part No.</b>	<b>Page No.</b>	<b>Ref. No.</b>	<b>Part No.</b>	<b>Page No.</b>	<b>Ref. No.</b>	<b>Part No.</b>	<b>Page No.</b>	<b>Ref. No.</b>	<b>Part No.</b>	<b>Page No.</b>	<b>Ref. No.</b>
L94824	3-7	15	L98225	3-11	20	L98240	3-19	15	L98253	3-19	48
L96053	3-21	05	L98226	3-11	21	L98240	3-19	31	L98253	3-3	48
L96053	3-21	14	L98227	3-11	22	L98240	3-17	14	L98253	3-15	48
L97508	3-5	03	L98228	3-13	01	L98240	3-15	11	L98253	3-15	43
L97516	3-26	03	L98229	3-13	02	L98240	3-15	27	L98253	3-19	47
L98176	3-7	25	L98230	3-13	03	L98241	3-19	30	L98253	3-15	46
L98177	3-7	07	L98231	3-13	04	L98241	3-15	12	L98253	3-19	45
L98177	3-7	27	L98232	3-13	05	L98241	3-17	13	L98253	3-15	41
L98178	3-7	03	L98233	3-13	08	L98241	3-19	16	L98253	3-19	44
L98179	3-7	06	L98235	3-19	40	L98241	3-15	26	L98254	3-3	47
L98180	3-7	08	L98235	3-19	38	L98242	3-17	12	L98254	3-15	42
L98181	3-7	10	L98235	3-19	37	L98242	3-19	17	L98254	3-3	42
L98182	3-7	14	L98235	3-19	35	L98242	3-15	25	L98254	3-15	47
L98184	3-7	21	L98235	3-19	08	L98242	3-19	29	L98255	3-3	44
L98185	3-7	22	L98235	3-19	09	L98242	3-15	13	L98255	3-15	44
L98186	3-5	04	L98235	3-17	20	L98243	3-15	24	L98257	3-19	01
L98187	3-5	05	L98235	3-15	02	L98243	3-19	28	L98257	3-17	01
L98188	3-8	01	L98235	3-15	04	L98243	3-19	18	L98258	3-17	02
L98189	3-8	02	L98235	3-19	06	L98243	3-17	11	L98259	3-19	05
L98190	3-8	03	L98235	3-15	05	L98243	3-15	14	L98259	3-17	04
L98191	3-8	04	L98235	3-15	31	L98244	3-15	15	L98260	3-19	41
L98191	3-8	06	L98235	3-19	11	L98244	3-17	10	L98260	3-17	05
L98192	3-8	05	L98235	3-15	33	L98244	3-19	27	L98261	3-17	06
L98193	3-11	01	L98235	3-15	34	L98244	3-19	19	L98262	3-17	09
L98194	3-8	07	L98235	3-15	36	L98244	3-15	23	L98263	3-17	22
L98195	3-8	10	L98235	3-15	07	L98245	3-15	22	L98264	3-21	03
L98195	3-8	08	L98235	3-17	18	L98245	3-15	16	L98264	3-21	16
L98196	3-8	09	L98236	3-19	36	L98246	3-17	08	L98264	3-17	24
L98197	3-8	20	L98236	3-19	39	L98246	3-15	21	L98264	3-21	11
L98198	3-8	11	L98236	3-19	07	L98246	3-19	21	L98264	3-21	08
L98199	3-8	12	L98236	3-17	19	L98246	3-15	17	L98264	3-17	30
L98200	3-8	13	L98236	3-15	35	L98246	3-19	25	L98264	3-17	25
L98201	3-8	14	L98236	3-19	10	L98247	3-19	24	L98266	3-21	10
L98202	3-8	15	L98236	3-15	03	L98247	3-19	22	L98266	3-21	09
L98203	3-8	16	L98236	3-15	06	L98247	3-15	18	L98266	3-17	27
L98204	3-8	17	L98236	3-15	32	L98247	3-15	20	L98267	3-17	28
L98205	3-8	18	L98237	3-17	17	L98247	3-17	07	L98268	3-21	04
L98206	3-8	19	L98237	3-19	34	L98248	3-15	19	L98268	3-17	29
L98211	3-9	07	L98237	3-15	08	L98249	3-15	37	L98268	3-21	15
L98212	3-9	06	L98237	3-19	12	L98250	3-19	03	L98270	3-3	32
L98213	3-11	02	L98237	3-15	30	L98250	3-15	38	L98270	3-17	32
L98214	3-11	03	L98238	3-15	29	L98250	3-17	03	L98271	3-17	21
L98215	3-11	04	L98238	3-15	09	L98251	3-15	39	L98272	3-19	02
L98216	3-11	05	L98238	3-17	16	L98252	3-15	40	L98273	3-19	04
L98217	3-11	06	L98238	3-19	13	L98253	3-3	46	L98274	3-19	23
L98218	3-11	07	L98238	3-19	33	L98253	3-3	48	L98275	3-19	42
L98219	3-11	08	L98239	3-19	32	L98253	3-3	43	L98276	3-19	46
L98220	3-11	09	L98239	3-17	15	L98253	3-3	44	L98276	3-3	46
L98222	3-11	17	L98239	3-15	28	L98253	3-3	45	L98277	3-19	49
L98223	3-11	18	L98239	3-15	10	L98253	3-3	41	L98277	3-3	49
L98224	3-11	19	L98239	3-19	14	L98253	3-3	47	L98278	3-21	01

***Numerical Index***

<b>Part No.</b>	<b>Page No.</b>	<b>Ref. No.</b>	<b>Part No.</b>	<b>Page No.</b>	<b>Ref. No.</b>	<b>Part No.</b>	<b>Page No.</b>	<b>Ref. No.</b>
L98279	3-21	02	L98947	3-9	08	L99248	3-7	12
L98281	3-21	13	L98955	3-13	09	L99248	3-7	01
L98281	3-21	06	L98955	3-3	09	L99249	3-7	05
L98282	3-21	12	L98962	3-15	45	L99250	3-7	18
L98282	3-17	26	L98962	3-3	45	L99251	3-7	20
L98282	3-21	07	L98965	3-3	31	L99252	3-7	23
L98283	3-21	17	L98965	3-17	31	L99253	3-7	26
L98284	3-3	18	L98968	3-19	43	L99254	3-7	31
L98284	3-21	18	L98968	3-3	43	L99267	3-7	17
L98285	3-23	16	L98970	3-23	17			
L98287	3-22	04	L98970	3-22	02			
L98288	3-23	02	L99013	3-7	19			
L98289	3-23	08	L99015	3-7	09			
L98290	3-23	15	L99022	3-11	13			
L98291	3-25	01	L99022	3-11	10			
L98292	3-25	02	L99024	3-11	11			
L98293	3-25	03	L99026	3-11	12			
L98294	3-25	04	L99028	3-11	14			
L98295	3-25	05	L99029	3-7	28			
L98296	3-25	06	L99029	3-5	11			
L98297	3-25	07	L99029	3-7	24			
L98298	3-25	08	L99029	3-5	09			
L98299	3-25	09	L99029	3-7	32			
L98300	3-25	10	L99029	3-5	07			
L98301	3-25	11	L99029	3-7	30			
L98302	3-25	12	L99030	3-26	02			
L98303	3-25	13	L99030	3-11	15			
L98304	3-25	14	L99031	3-13	07			
L98305	3-25	17	L99032	3-13	06			
L98306	3-25	18	L99033	3-26	01			
L98307	3-25	21	L99034	3-25	15			
L98307	3-25	19	L99035	3-25	16			
L98308	3-25	20	L99038	3-19	20			
L98309	3-25	22	L99038	3-19	26			
L98310	3-25	29	L99039	3-17	23			
L98310	3-25	23	L99040	3-22	01			
L98311	3-25	28	L99041	3-22	03			
L98311	3-25	24	L99042	3-22	05			
L98312	3-25	27	L99043	3-22	06			
L98312	3-25	25	L99044	3-7	33			
L98313	3-25	26	L99044	3-5	12			
L98314	3-25	30	L99044	3-7	29			
L98315	3-25	30A	L99184	3-11	16			
L98317	3-26	05	L99246	3-7	16			
L98924	3-7	02	L99246	3-7	04			
L98924	3-7	13	L99246	3-7	11			
L98942	3-9	01	L99246	3-5	01			
L98942	3-9	05	L99246	3-5	06			
L98943	3-9	02	L99246	3-5	02			
L98944	3-9	03	L99247	3-5	10			
L98945	3-9	04	L99247	3-5	08			



**GEHL<sup>®</sup> CONSTRUCTION**

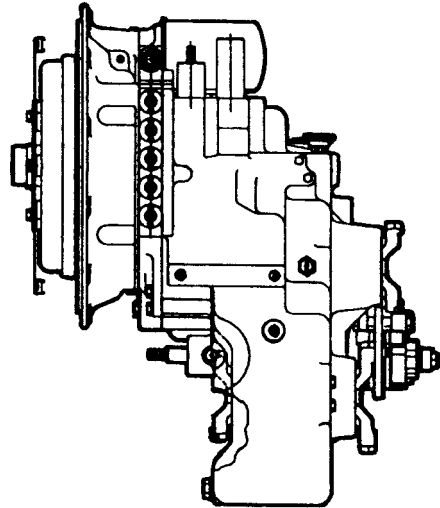
---

# **T12000**

## **Clark**

### **Transmission**

**Model No.**  
**1102-T12366-5**



# **SERVICE PARTS**



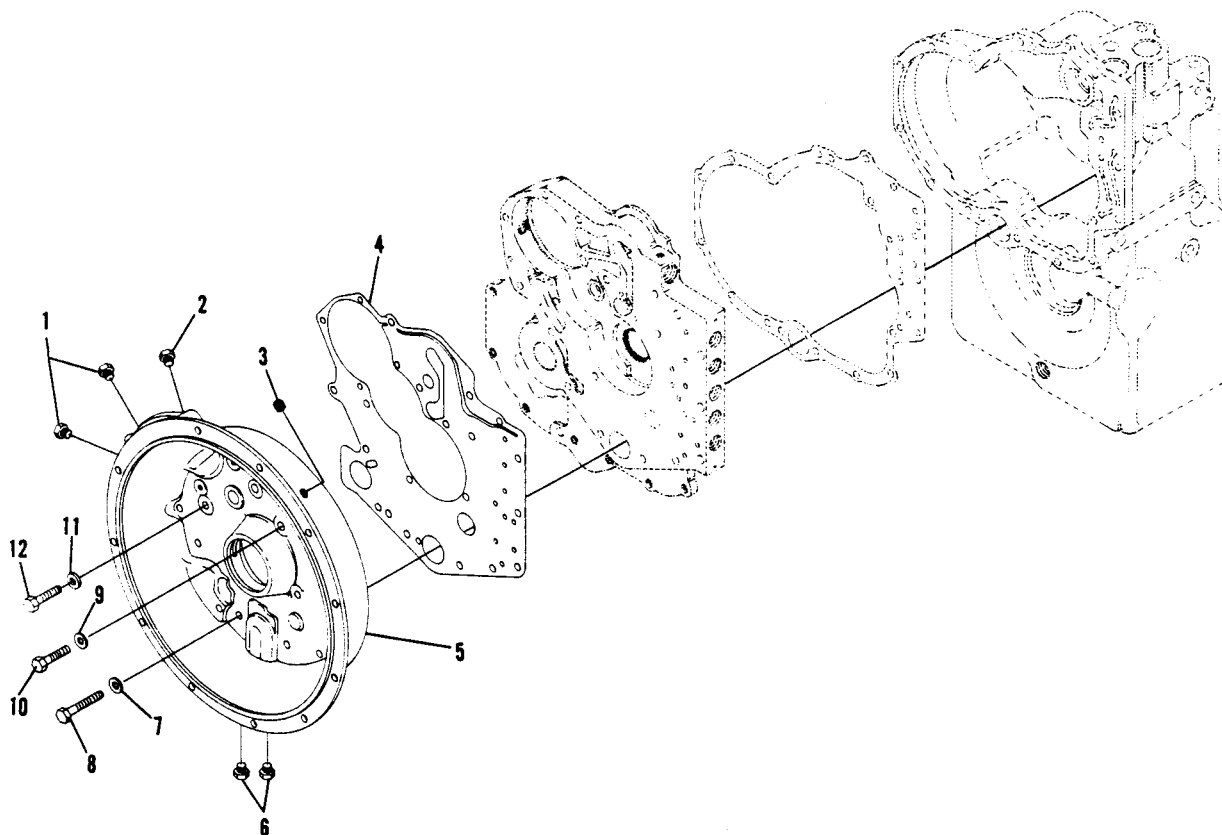
Section Contents . . . . . **4-1**  
\_\_\_\_\_ - Special Parts Group . . . . . **4-3**  
267072 - Converter Housing Group . . . . . **4-4**  
267388 - Case and Plate Group . . . . . **4-6**  
267164 - Torque Converter Group . . . . . **4-8**  
267396 - Pump Drive Group . . . . . **4-9**  
267078 - Charge Pump Group . . . . . **4-10**  
267079 - Reverse Idler Group . . . . . **4-12**  
267169 - Forward/Reverse Shaft Group . . . . . **4-14**  
267185 - 3rd and Output Shaft Group . . . . . **4-16**  
267082 - 1st and 2nd Shaft Group . . . . . **4-18**  
267083 - Output Shaft Group . . . . . **4-20**  
267270 - Disc Brake Group . . . . . **4-22**  
246401 - Brake Caliper Assembly . . . . . **4-23**  
267172 - Electric Control With Modulation Group . . . . . **4-24**  
267086 - Drive Plate Group . . . . . **4-26**  
Numerical Index . . . . . **4-27**

**This Page Intentionally Blank**

***Special Parts Group***

<b>Ref. No.</b>	<b>Part No.</b>	<b>Description</b>	<b>Qty. Req.</b>	<b>Ref. No.</b>	<b>Part No.</b>	<b>Description</b>	<b>Qty. Req.</b>
<b>PAGE 12/13</b>				<b>PAGE 18/19</b>			
09	L98955	REV. IDLER GEAR (26T) . . . . .	1	43	L98968	1ST CLUTCH GEAR & BRG. ASY (Incl. Items 44,45) . . . . .	1
<b>PAGE 14/15</b>				44	L98253	BEARING. . . . .	1
41	L98253	REV. CLUTCH GEAR BRG. . . . .	1	45	L98253	BEARING. . . . .	1
42	L98254	REV. CLUTCH GEAR SPACER . . .	1	46	L98276	2ND CLUTCH GEAR & BRG. ASY (Incl. Items 47,48)	1
43	L98253	REV. CLUTCH GEAR BRG. . . . .	1	47	L98253	BEARING. . . . .	1
44	L98962	REV. CLUTCH GEAR. . . . .	1	48	L98253	BEARING. . . . .	1
		& BRG. ASY. (Incl. Items 41-43)		49	L98277	3RD DRIVEN GEAR (18T) . . . . .	1
45	L98255	FWD. CLUTCH GEAR . . . . .	1	<b>PAGE 20/21</b>			
		& BRG. ASY. (Incl. Items 46-48)		18	L98284	OUTPUT SHAFT GEAR (40T) . . . . .	1
46	L98253	FWD. CLUTCH GEAR BRG. . . . .	1				
47	L98254	FWD. CLUTCH GEAR SPACER. . .	1				
48	L98253	FWD. CLUTCH GEAR BRG. . . . .	1				
<b>PAGE 16/17</b>							
31	L98965	1ST DRIVE GEAR (29T) . . . . .	1				
32	L99268	3RD GEAR & OUTPUT SHAFT (46T). . . . .	1				

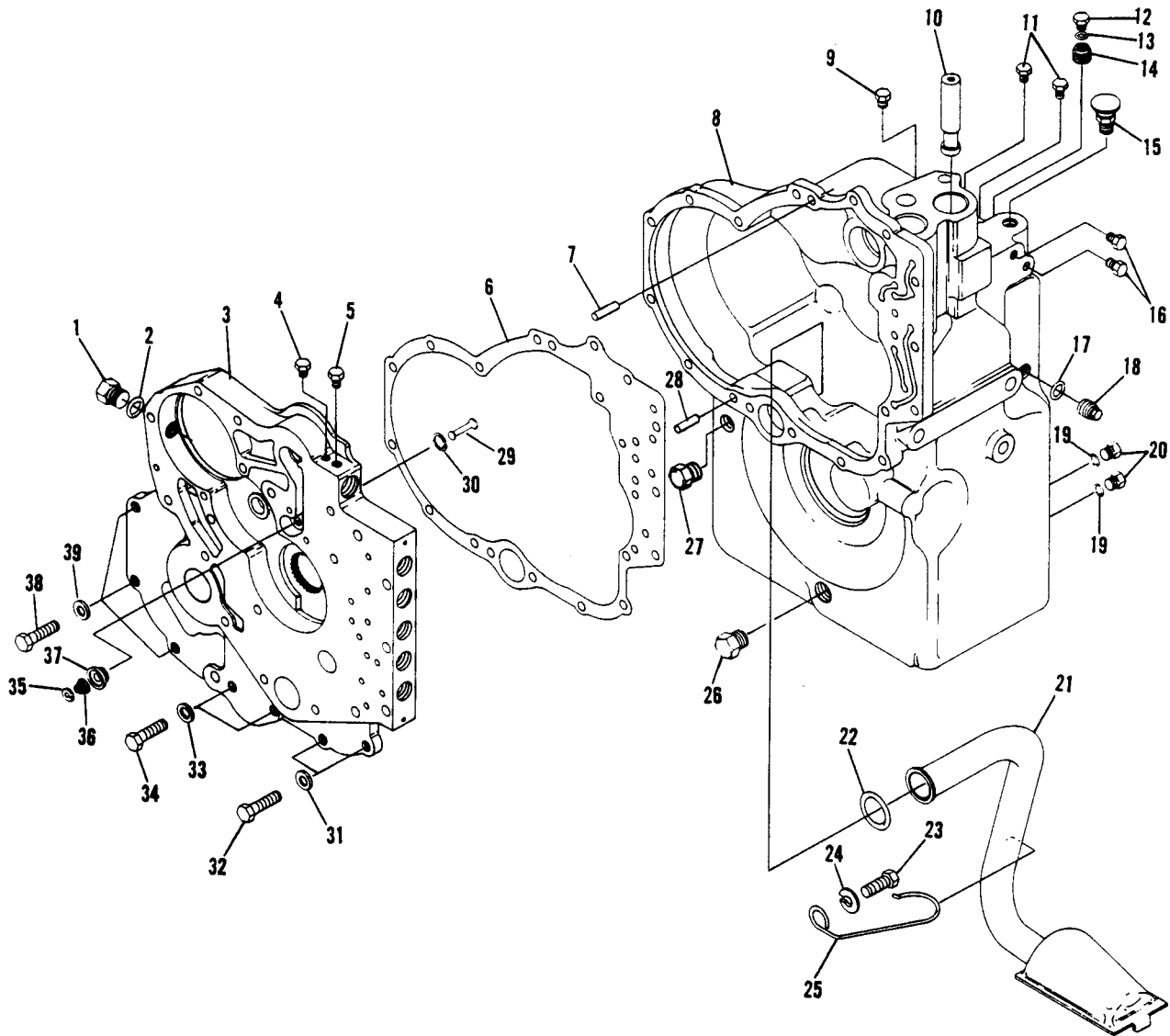
**Converter Housing Group**



***Converter Housing Group***

<b>Ref. No.</b>	<b>Part No.</b>	<b>Description</b>	<b>Qty. Req.</b>	<b>Ref. No.</b>	<b>Part No.</b>	<b>Description</b>	<b>Qty. Req.</b>
01	L99246	Plug (Hi & 3rd Port) . . . . .	2	08	L99247	Conv. Hsg. to Trans. Case Screw . . . . .	10
02	L99246	Reg. Pressure Port Plug. . . . .	1	09	L99029	Conv. Hsg. to Plate Screw Lockwasher . . . . .	1
03	L97508	Plug . . . . .	1	10	L99247	Conv. Hsg. to Plate Screw . . . . .	1
04	L98186	Housing to Plate Gasket. . . . .	1	11	L99029	Conv. Hsg. to Plate . . . . .	6
05	L99021	Converter Housing . . . . .	1			Screw Lockwasher	
06	L99246	Plug (1st & 2nd Port) . . . . .	2	12	L99044	Conv. Hsg. to Plate Screw . . . . .	6
07	L99029	Conv. Hsg. to Trans. Case Screw Lockwasher . . . . .	10				

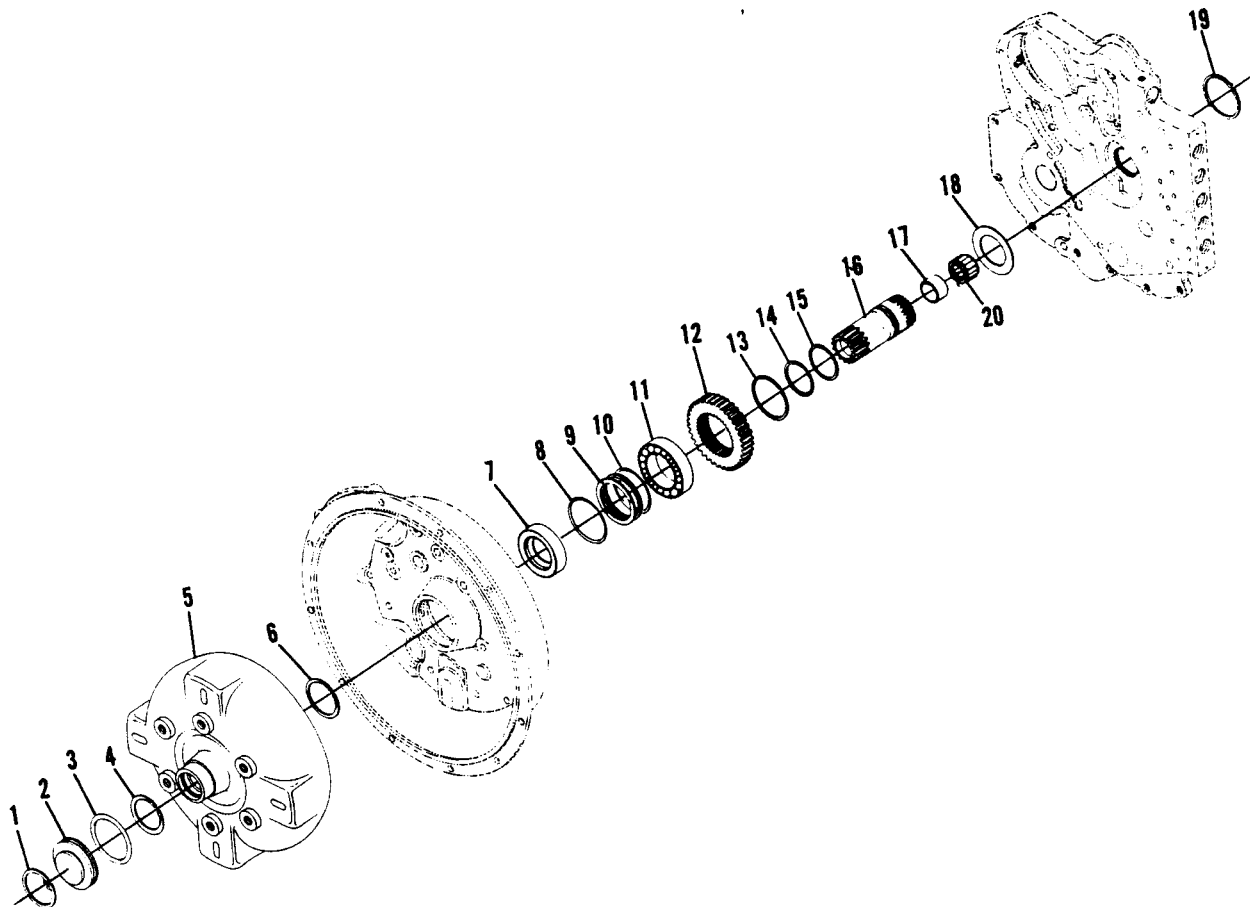
Case & Plate Group



**Case & Plate Group**

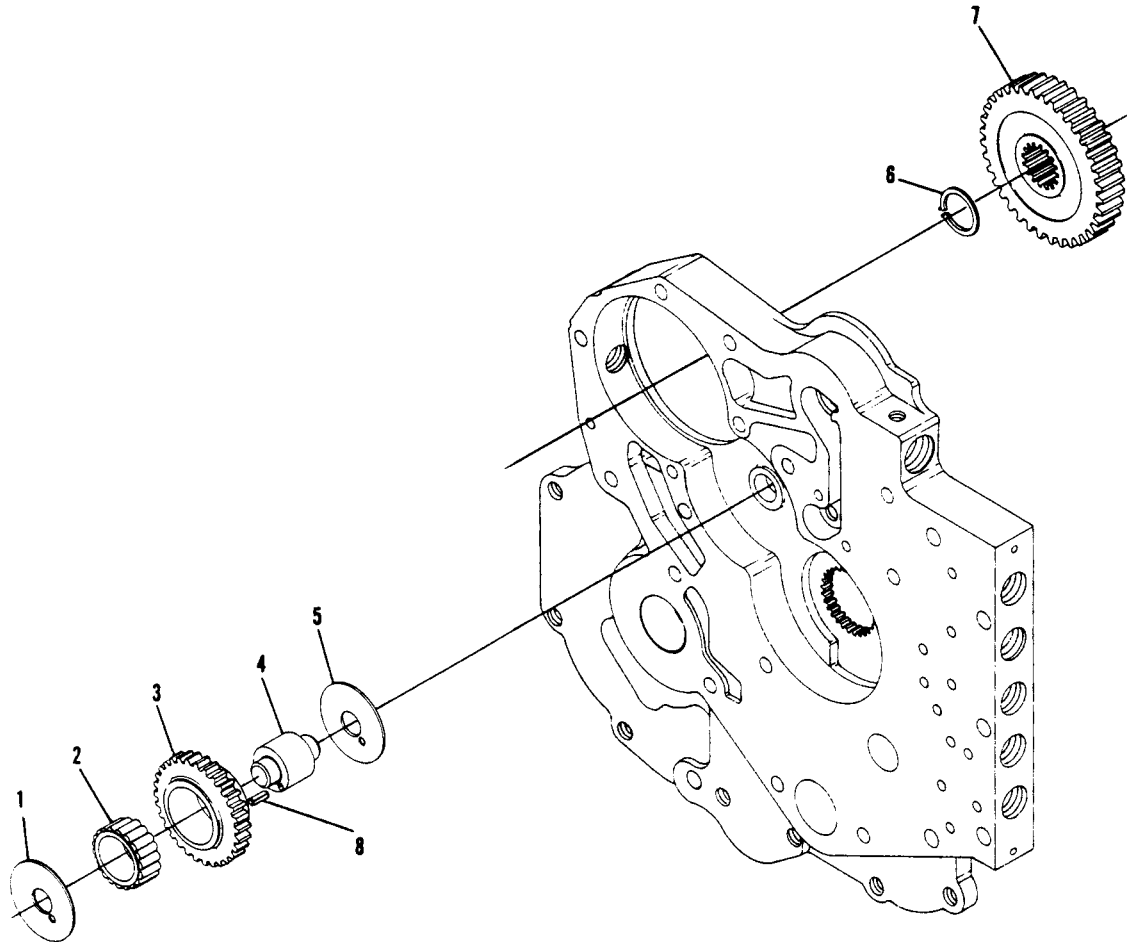
Ref. No.	Part No.	Description	Qty. Req.	Ref. No.	Part No.	Description	Qty. Req.
01	L99248	Sensor Port Plug . . . . .	1	24	L99029	Retainer Clip	
02	L98924	Sensor Port Plug Washer . . . . .	1			Screw Lockwasher . . . . .	1
03	L99011	Spacer Plate . . . . .	1	25	L98176	Oil Supply Tube	
04	L99246	Inlet Pressure Port Plug . . . . .	1			Retainer Clip . . . . .	1
05	L99249	Outlet Temperture Port Plug . . . . .	1	26	L99253	Magnetic Drain Plug . . . . .	1
06	L98179	Plate to Transmission Case		27	L99270	Drain Back Port Plug . . . . .	1
		Gasket . . . . .	1	28	L98177	Plate to Transmission	
07	L98177	Plate to Transmission Case				Case Dowel Pin . . . . .	1
		Dowel Pin . . . . .	1	29	L98931	Converter Safety Valve Poppet . . . . .	1
08	L98180	Transmission Case . . . . .	1	30	L98932	Seat Snap Ring . . . . .	1
09	L99015	Filler Plug . . . . .	1	31	L99029	Plate to Transmission	
10	L98181	Diverter Sleeve . . . . .	1			Case Screw Lockwasher . . . . .	2
11	L99246	Pipe Plug . . . . .	2	32	L99044	Plate to Transmission	
12	L99248	Auto Shift Sensor Port Plug . . . . .	1			Case Screw . . . . .	2
13	L98924	Sensor Port Plug "O" Ring . . . . .	1	33	L99029	Plate to Transmission	
14	L98182	Sensor Adjusting Bushing . . . . .	1			Case Screw Lockwasher . . . . .	2
15	L94824	Air Breather . . . . .	1	34	L99254	Plate to Transmission	
16	L99246	Pipe Plug . . . . .	2			Case Screw . . . . .	3
17	L99267	Plug Sealing Ring . . . . .	1	35	L98217	Poppet Washer . . . . .	1
18	L99250	Speedo Sensor Plug . . . . .	1	36	L98218	Safety Valve Spring . . . . .	1
19	L99013	Plug "O" Ring . . . . .	2	37	L98935	Safety Valve Seat . . . . .	1
20	L99251	Oil Level Plug . . . . .	2	38	L99044	Plate to Transm. Case Screw . . . . .	3
21	L98184	Tube & Screen Assembly . . . . .	1	39	L99029	Plate to Transsion	
22	L98185	Oil Supply Tube Seal Ring . . . . .	1			Case Screw Lockwasher . . . . .	3
23	L99252	Retainer Clip Screw . . . . .	1				

**Torque Converter Group**



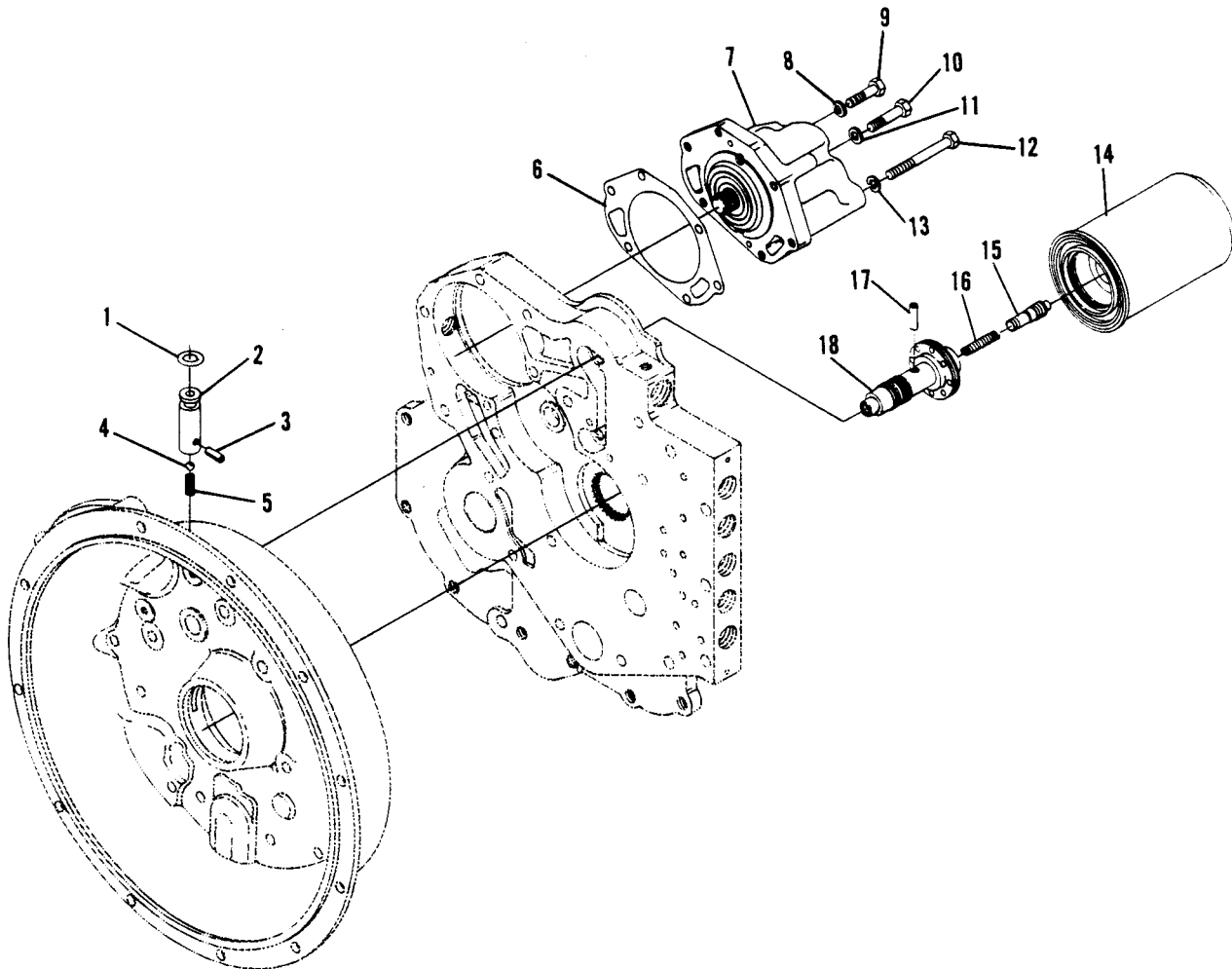
Ref. No.	Part No.	Description	Qty. Req.	Ref. No.	Part No.	Description	Qty. Req.
01	L98188	Plug Snap Ring . . . . .	1	12	L98199	Impeller Hub Gear (35T). . . . .	1
02	L98189	Torque Converter Plug . . . . .	1	13	L98200	Stator Support Snap Ring. . . . .	1
03	L98190	Torque Converter Plug "O" Ring . . .	1	14	L98201	Stator Support Piston Ring . . . . .	1
04	L98191	Impeller Hub Snap Ring . . . . .	1	15	L98202	Stator Support Piston . . . . .	1
05	L98192	Torque Converter Asy. . . . .	1			Ring Expander	
06	L98191	Impeller Hub Snap Ring . . . . .	1	16	L98203	Stator Support Asy . . . . .	1
07	L98194	Conv. Hsg. Oil Seal . . . . .	1			(Inc. Item 17 & 20)	
08	L98195	Oil Distributor Ring "O"Ring . . . . .	1	17	L98204	Bushing (Inc. in Item 16) . . . . .	1
09	L98196	Oil Distributor Ring . . . . .	1	18	L98205	Impeller Hub Gear Washer . . . . .	1
10	L98195	Oil Distributor Ring "O"Ring . . . . .	1	19	L98206	Stator Support Snap Ring. . . . .	1
11	L98198	Torque Conv. Bearing. . . . .	1	20	L98197	Bearing (Inc. In Item #16). . . . .	1

**Pump Drive Group**



Ref. No.	Part No.	Description	Qty. Req.	Ref. No.	Part No.	Description	Qty. Req.
01	L98942	Pump Drive Idler Thrust Washer . . .	1	05	L98942	Pump Drive Idler Thrust Washer . . .	1
02	L98943	Idler Gear Bearing . . . . .	1	06	L98212	Pump Drive Gear Ret Snap Ring . .	1
03	L98944	Pump Drive Idler Gear (31T) . . . . .	1	07	L98211	Pump Drive Gear (34T) . . . . .	1
04	L98945	Pump Drive Idler Shaft & Pin Asy. . .	1	08	L98947	Roll Pin (Incl. in Item #4) . . . . .	1
		(Incl. Item #8)					

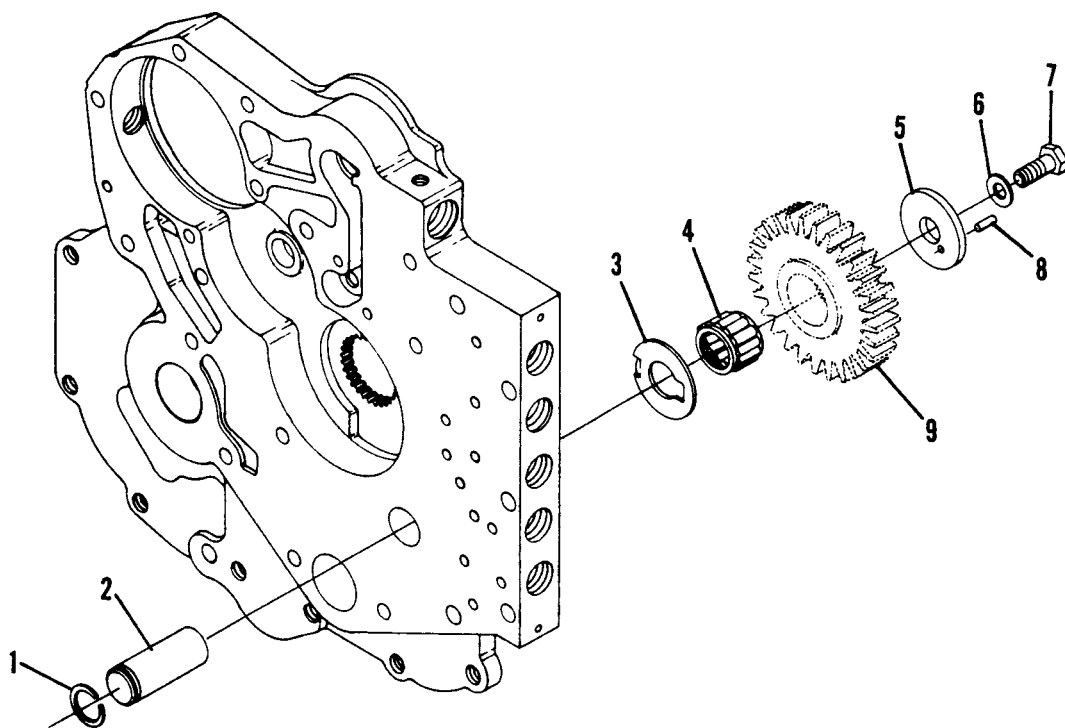
*Charge Pump w/Filter Group*



***Charge Pump w/Filter Group***

<b>Ref. No.</b>	<b>Part No.</b>	<b>Description</b>	<b>Qty. Req.</b>	<b>Ref. No.</b>	<b>Part No.</b>	<b>Description</b>	<b>Qty. Req.</b>
01	L98193	"O"Ring . . . . .	1	11	L99022	Pump Mtg. Screw Lockwasher . . . . .	1
02	L98213	Ball Check Valve Asy. . . . .	1	12	L99028	Pump Mtg. Screw . . . . .	1
		(Inc. Items 1 thru 5)		13	L99030	Pump Mtg. Screw Lockwasher . . . . .	1
03	L98214	Pin . . . . .	1	14	L99184	Filter Assembly. . . . .	1
04	L98215	Ball . . . . .	1	15	L98950	Piston . . . . .	1
05	L98216	Spring . . . . .	1	16	L98951	Spring . . . . .	1
06	L98219	Charging Pump Gasket . . . . .	1	17	L98224	Pin . . . . .	1
07	L98220	Charging Pump . . . . .	1	18	L99272	Sleeve . . . . .	1
08	L99022	Pump Mtg. Screw Lockwasher . . . . .	1	19	L99273	Regulator Valve Asy. . . . .	1
09	L99024	Pump Mounting Scew . . . . .	1			(Inc. Items 15 thru 18)	
10	L99026	Pump Mounting Screw . . . . .	1				

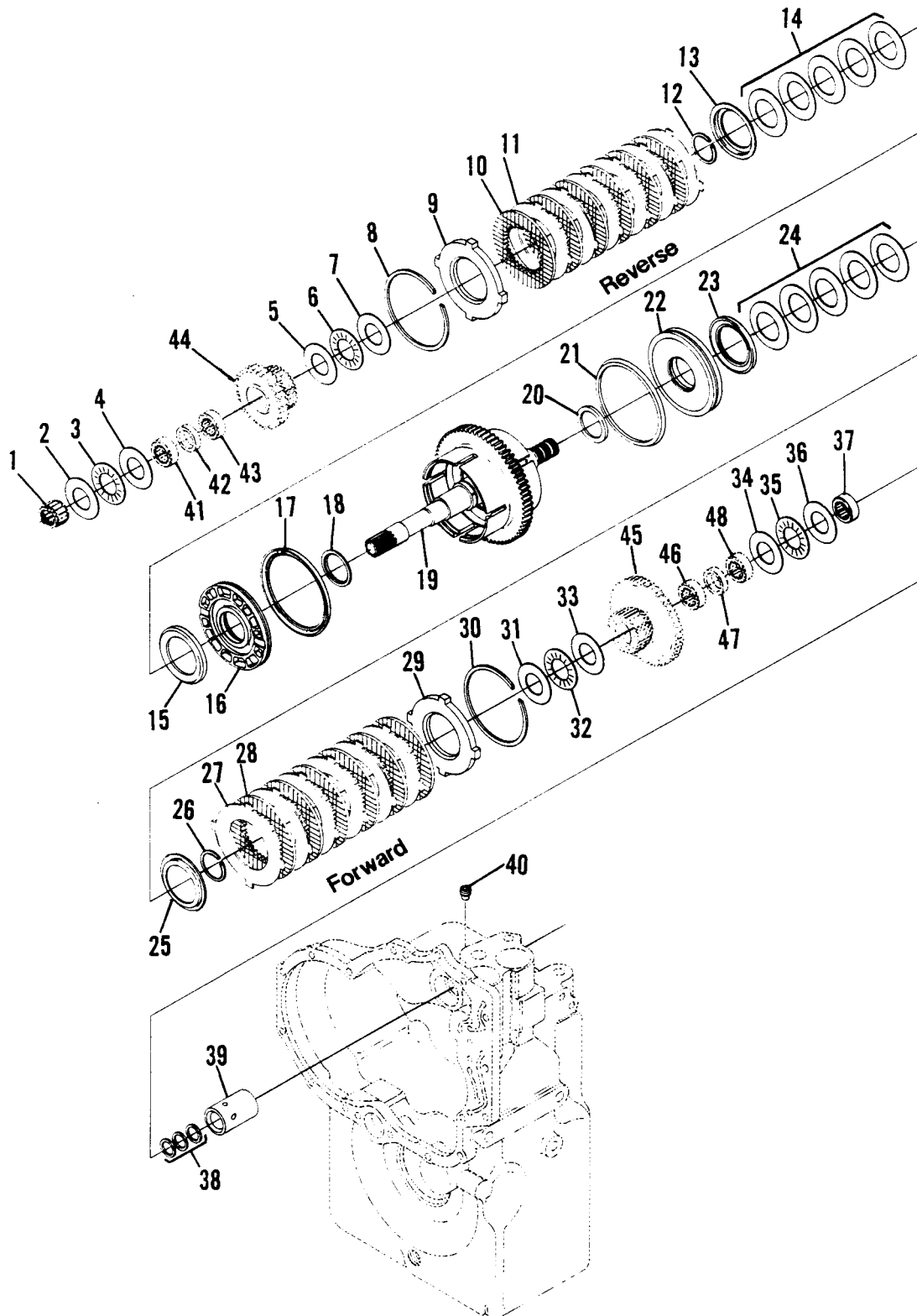
*Reverse Idler Group*



***Reverse Idler Group***

<b>Ref. No.</b>	<b>Part No.</b>	<b>Description</b>	<b>Qty. Req.</b>	<b>Ref. No.</b>	<b>Part No.</b>	<b>Description</b>	<b>Qty. Req.</b>
01	L98228	Idler Shaft Snap Ring . . . . .	1	06	L99032	End Plate Capscrew Washer . . . . .	1
02	L98229	Idler & Pilot Shaft . . . . .	1	07	L99031	Rev. Idler End Plate Capscrew . . . . .	1
03	L98230	Thrust Washer . . . . .	1	08	L98233	End Plate to Shaft Roll Pin . . . . .	1
04	L98231	Reverse Idler Gear Bearing . . . . .	1	09	L98955	Reverse Idler Gear . . . . .	1
05	L98232	End Plate . . . . .	1				

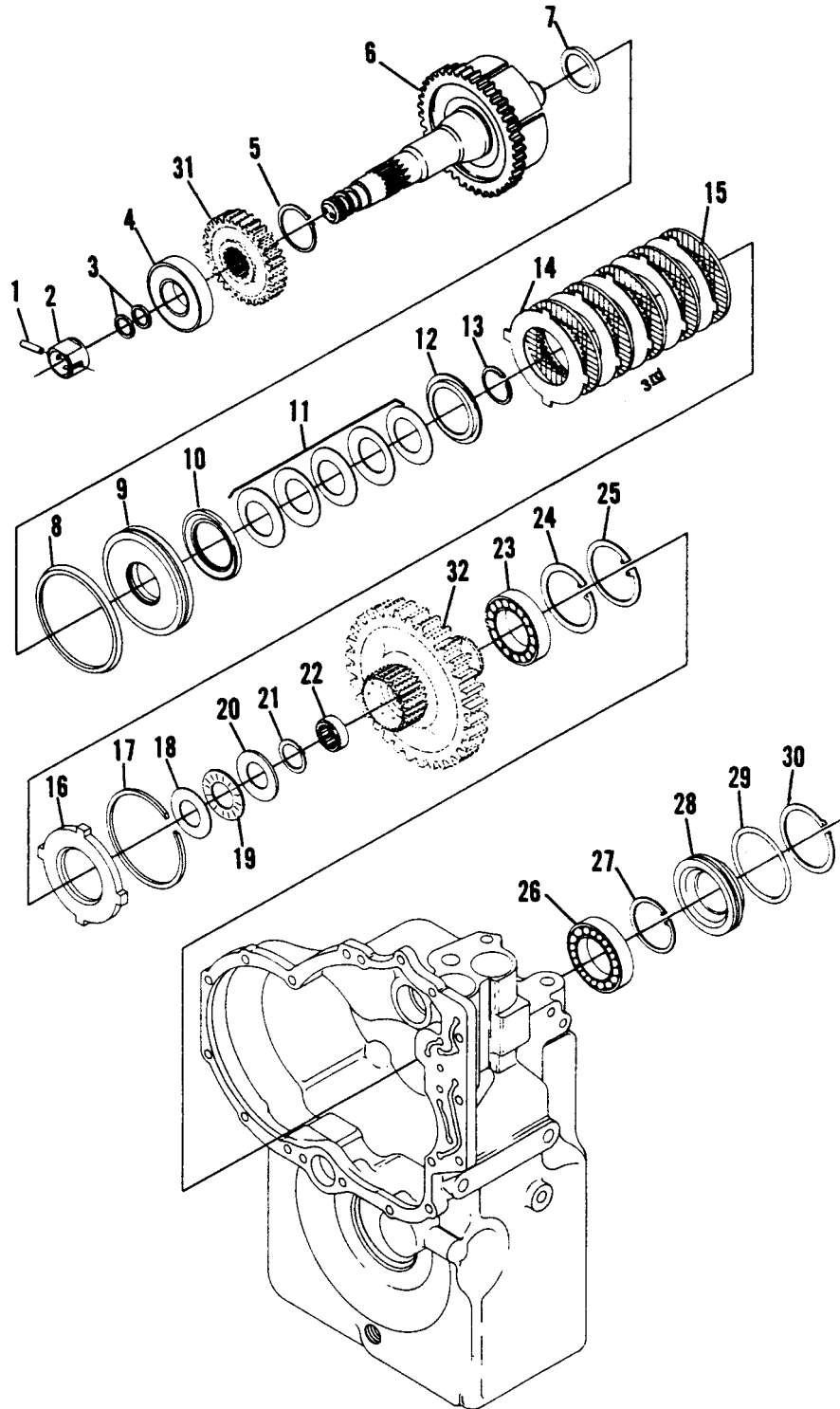
### Forward & Reverse Shaft Group



***Forward & Reverse Shaft Group***

<b>Ref. No.</b>	<b>Part No.</b>	<b>Description</b>	<b>Qty. Req.</b>	<b>Ref. No.</b>	<b>Part No.</b>	<b>Description</b>	<b>Qty. Req.</b>
01		Turbine Shaft Front Bearing <i>(See Converter Group)</i>		26	L98241	Retainer Snap Ring . . . . .	1
02	L98235	Clutch Gear Thrust Washer . . . . .	1	27	L98240	Outer Disc - Forward Clutch . . . . .	6
03	L98236	Clutch Gear Thrust Washer Brg. . . . .	1	28	L98239	Inner Disc - Forward Clutch . . . . .	6
04	L98235	Clutch Gear Thrust Washer . . . . .	1	29	L98238	End Plate . . . . .	1
05	L98235	Clutch Gear Thrust Washer . . . . .	1	30	L98237	End Plate Snap Ring . . . . .	1
06	L98236	Clutch Gear Thrust Washer Brg. . . . .	1	31	L98235	Clutch Gear Thrust Washer . . . . .	1
07	L98235	Clutch Gear Thrust Washer . . . . .	1	32	L98236	Clutch Gear Thrust Washer Brg. . . . .	1
08	L98237	End Plate Snap Ring . . . . .	1	33	L98235	Clutch Gear Thrust Washer . . . . .	1
09	L98238	End Plate . . . . .	1	34	L98235	Clutch Gear Thrust Washer . . . . .	1
10	L98239	Inner Disc-Reverse Clutch . . . . .	6	35	L98236	Clutch Gear Thrust Washer Brg. . . . .	1
11	L98240	Outer Disc-Reverse Clutch . . . . .	6	36	L98235	Clutch Gear Thrust Washer . . . . .	1
12	L98241	Retainer Snap Ring . . . . .	1	37	L98249	Thrbine Shaft Rear Bearing . . . . .	1
13	L98242	Snap Ring Retainer . . . . .	1	38	L98250	Piston Ring . . . . .	3
14	L98243	Disc Spring Asy. . . . .	5	39	L98251	Oil Distributor Sleeve . . . . .	1
15	L98244	Clutch Piston Wear Plate . . . . .	1	40	L98252	Retainer Screw . . . . .	1
16	L98245	Clutch Piston . . . . .	1	41	L98253	Bearing . . . . .	1
17	L98246	Clutch Piston Seal - Outer . . . . .	1	42	L98254	Spacer . . . . .	1
18	L98247	Clutch Piston Seal - Inner. . . . .	1	43	L98253	Bearing . . . . .	1
19	L98248	Turbine Shaft Drum & Plug Asy. . . . .	1	44	L98962	Rev. Clutch Gear & Brg. Asy. . . . .	1
20	L98247	Clutch Piston Seal - Inner. . . . .	1			(Incl. Items 41 thru 43)	
21	L98246	Clutch Piston Seal - Outer . . . . .	1	45	L98255	Fwd. Clutch Gear & Brg. Asy. . . . .	1
22	L98245	Clutch Piston . . . . .	1			(Incl. Items 46 thru 48)	
23	L98244	Clutch Piston Wear Plate . . . . .	1	46	L98253	Bearing . . . . .	1
24	L98243	Disc Washer (Spring) . . . . .	5	47	L98254	Spacer - <i>See Special Parts Sect.</i> . . . . .	1
25	L98242	Snap Ring Retainer . . . . .	1	48	L98253	Bearing - <i>See Special Parts Sect.</i> . . . . .	1

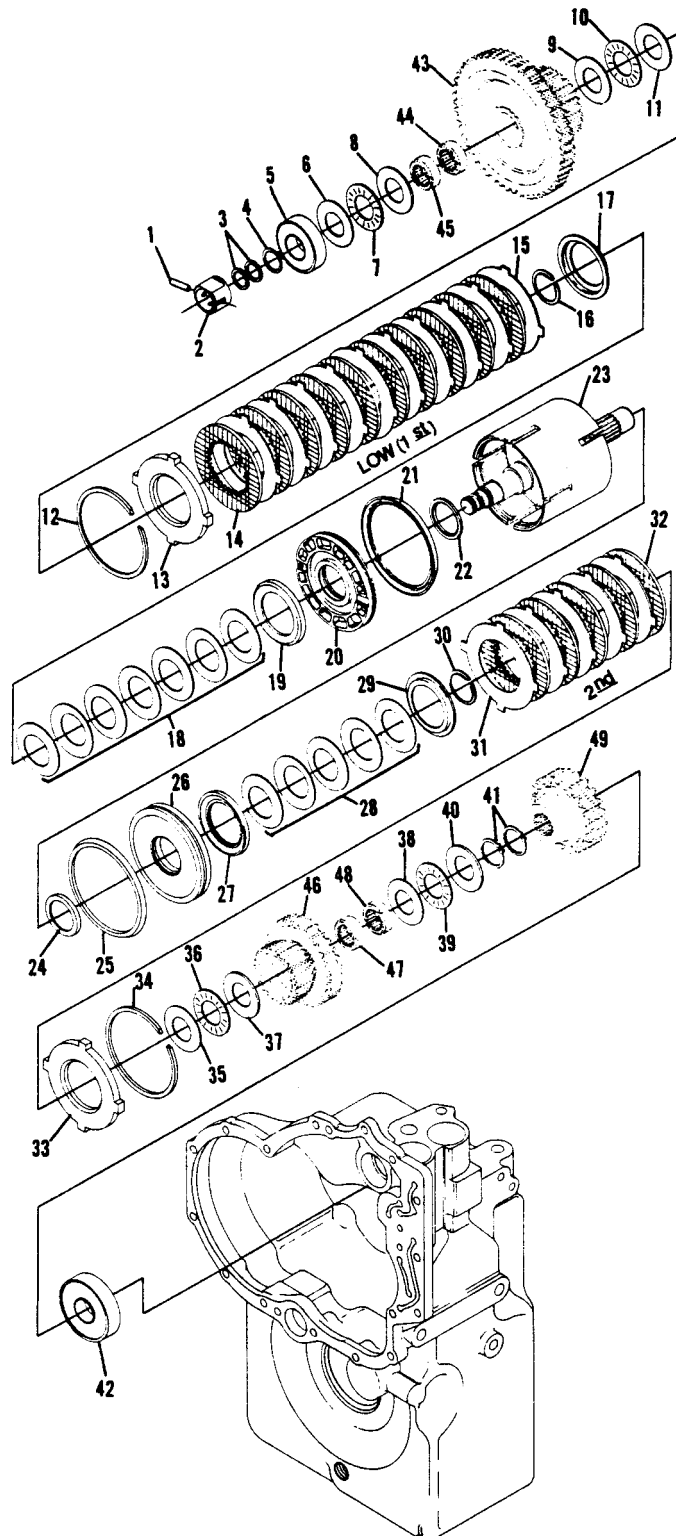
### 3rd & Output Shaft Group



***3rd & Output Shaft Group***

<b>Ref. No.</b>	<b>Part No.</b>	<b>Description</b>	<b>Qty. Req.</b>	<b>Ref. No.</b>	<b>Part No.</b>	<b>Description</b>	<b>Qty. Req.</b>
01	L98257	Sleeve Locating Screw . . . . .	1	17	L98237	End Plate Snap Ring . . . . .	1
02	L98258	Oil Distributor Sleeve . . . . .	1	18	L98235	Clutch Gear Thrust Washer . . . . .	1
03	L98250	Piston Ring . . . . .	2	19	L98236	Clutch Gear Thrust Washer Brg. . . . .	1
04	L98964	Bearing & Seal Asy. . . . .	1	20	L98235	Clutch Gear Thrust Washer . . . . .	1
05	L98260	Gear Hub Snap Ring . . . . .	1	21	L98271	Thrust Washer Ret. Snap Ring . . . . .	1
06	L98261	3rd Shaft, Drum, & Plug Asy. . . . .	1	22	L98263	3rd Clutch Gear Bearing. . . . .	1
07	L98247	Clutch Piston Inner Seal . . . . .	1	23	L99039	Rear Bearing . . . . .	1
08	L98246	Clutch Piston Outer Seal . . . . .	1	24	L98264	Rear Bearing Ret. Snap Ring . . . . .	1
09	L98262	Clutch Piston & Ball Seat Asy. . . . .	1	25	L98264	Output Shaft Brg. Snap Ring . . . . .	1
10	L98244	Clutch Piston Wear Plate . . . . .	1	26	L98282	Output Shaft Bearing . . . . .	1
11	L98243	Disc Washer (Spring) . . . . .	5	27	L98266	Output Shaft Brg. Ret. Snap Ring. . . . .	1
12	L98242	Snap Ring Retainer . . . . .	1	28	L98267	Plug - Capped End. . . . .	1
13	L98241	Retainer Snap Ring . . . . .	1	29	L98268	Oil Seal Sleeve "0" Ring. . . . .	1
14	L98240	Outer Disc - 3rd Clutch. . . . .	5	30	L98264	Output Shaft Brg. Snap Ring . . . . .	1
15	L98239	Inner disc - 3rd Clutch . . . . .	5	31	L98965	1st Drive Gear . . . . .	1
16	L98238	End Plate. . . . .	1	32	L99268	3rd Gear & Shaft . . . . .	1

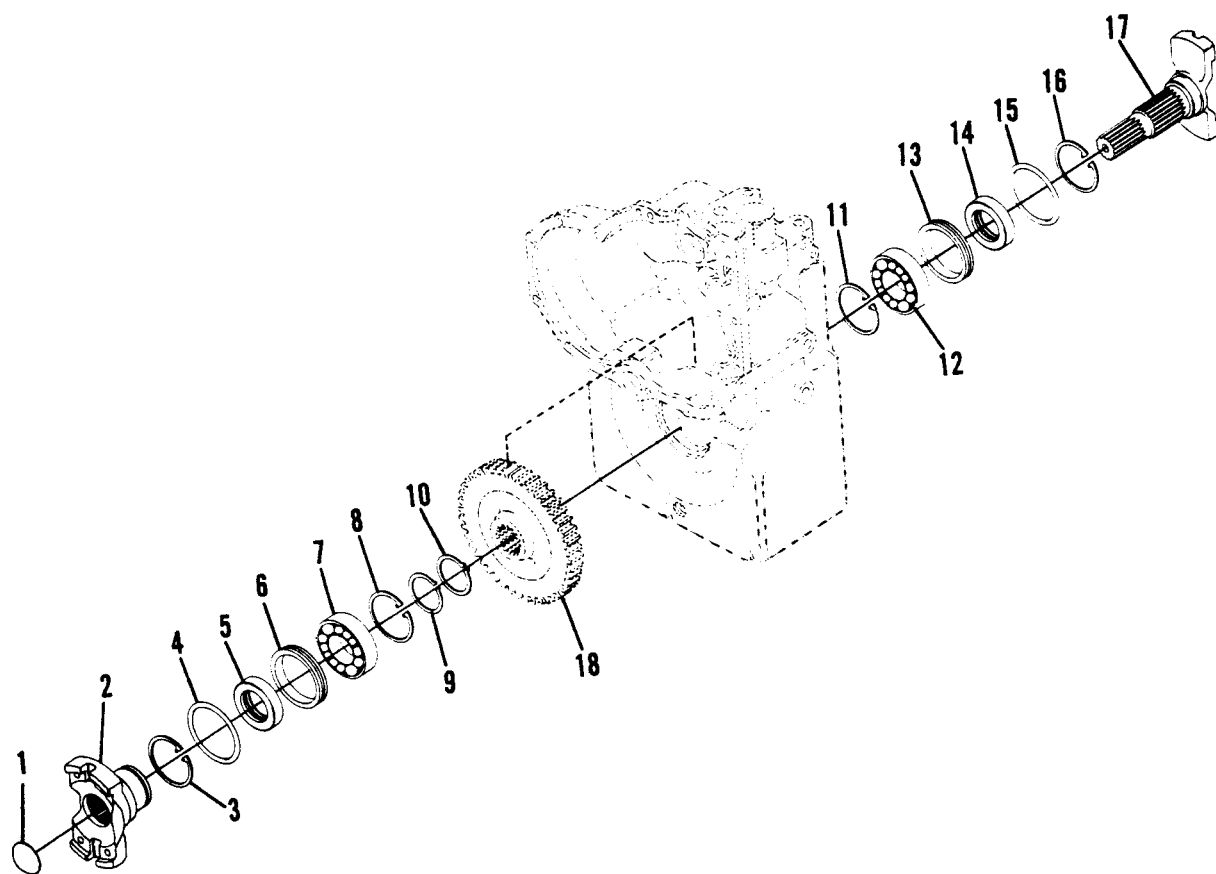
### 1st & 2nd Shaft Group



**1st & 2nd Shaft Group**

Ref. No.	Part No.	Description	Qty. Req.	Ref. No.	Part No.	Description	Qty. Req.
01	L98257	Sleeve Locating Screw . . . . .	1	27	L98244	Clutch Piston Wear Plate . . . . .	1
02	L98272	Oil Distributor Sleeve . . . . .	1	28	L98243	2nd Clutch Disc Spring Asy. . . . .	5
03	L98250	Piston Ring . . . . .	2	29	L98242	Snap Ring Retainer . . . . .	1
04	L98273	Bearing Retaining -Snap Ring . . . . .	1	30	L98241	Retainer Snap Ring . . . . .	1
05	L98964	Bearing & Seal Asy. . . . .	1	31	L98240	Outer Disc - 2nd Clutch . . . . .	5
06	L98235	Clutch Gear Thrust Washer . . . . .	1	32	L98239	Inner Disc - 2nd Clutch. . . . .	5
07	L98236	Clutch Gear Thrust Washer Brg. . . . .	1	33	L98238	End Plate . . . . .	1
08	L98235	Clutch Gear Thrust Washer . . . . .	1	34	L98237	End Plate Snap Ring . . . . .	1
09	L98235	Clutch Gear Thrust Washer . . . . .	1	35	L98235	Clutch Gear Thrust Washer . . . . .	1
10	L98236	Clutch Gear Thrust Washer Brg. . . . .	1	36	L98236	Clutch Gear Thrust Washer Brg. . . . .	1
11	L98235	Clutch Gear Thrust Washer . . . . .	1	37	L98235	Clutch Gear Thrust Washer . . . . .	1
12	L98237	End Plate Snap Ring . . . . .	1	38	L98235	Clutch Gear Thrust Washer . . . . .	1
13	L98238	End Plate . . . . .	1	39	L98236	Clutch Gear Thrust Washer Brg. . . . .	1
14	L98239	Inner Disc - 1st Clutch . . . . .	10	40	L98235	Clutch Gear Thrust Washer . . . . .	1
15	L98240	Outer Disc - 1st Clutch . . . . .	10	41	L98260	2nd Clutch Gear Hub Snap Ring . . . . .	2
16	L98241	Retainer Snap Ring . . . . .	1	42	L98275	Rear Bearing . . . . .	1
17	L98242	Snap Ring Retainer . . . . .	1	43	L98968	1st Clutch Gear & Brg. Asy. . . . .	1
18	L98243	1st Clutch Disc Washer (Spring) . . . . .	1			(Incl. Items 44,45)	
19	L98244	Clutch Piston Wear plate . . . . .	1	44	L98253	Bearing . . . . .	1
20	L99038	Clutch Piston . . . . .	1	45	L98253	Bearing . . . . .	1
21	L98246	Clutch Piston Seal - Outer . . . . .	1	46	L98276	2nd Clutch Gear & Brg. Assy. . . . .	1
22	L98247	Clutch Piston Seal - Inner. . . . .	1			(Incl. Items 47,48)	
23	L98274	1st & 2nd Shaft, Drum & Plug Asy. . . . .	1	47	L98253	Bearing . . . . .	1
24	L98247	Clutch Piston Seal - Inner. . . . .	1	48	L98253	Bearing . . . . .	1
25	L98246	Clutch Piston Seal - Outer . . . . .	1	49	L98277	3rd Driven Gear1 . . . . .	1
26	L99038	Clutch Piston . . . . .	1				

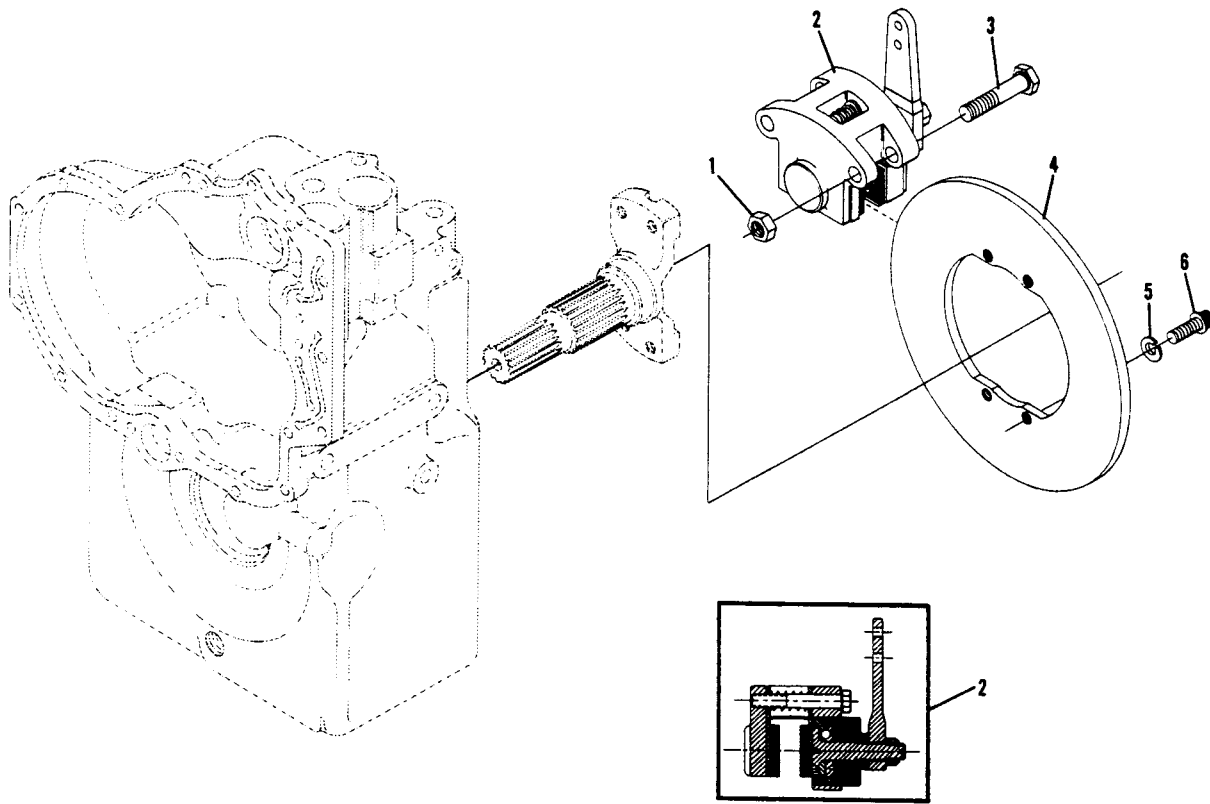
*Output Shaft Group*



***Output Shaft Group***

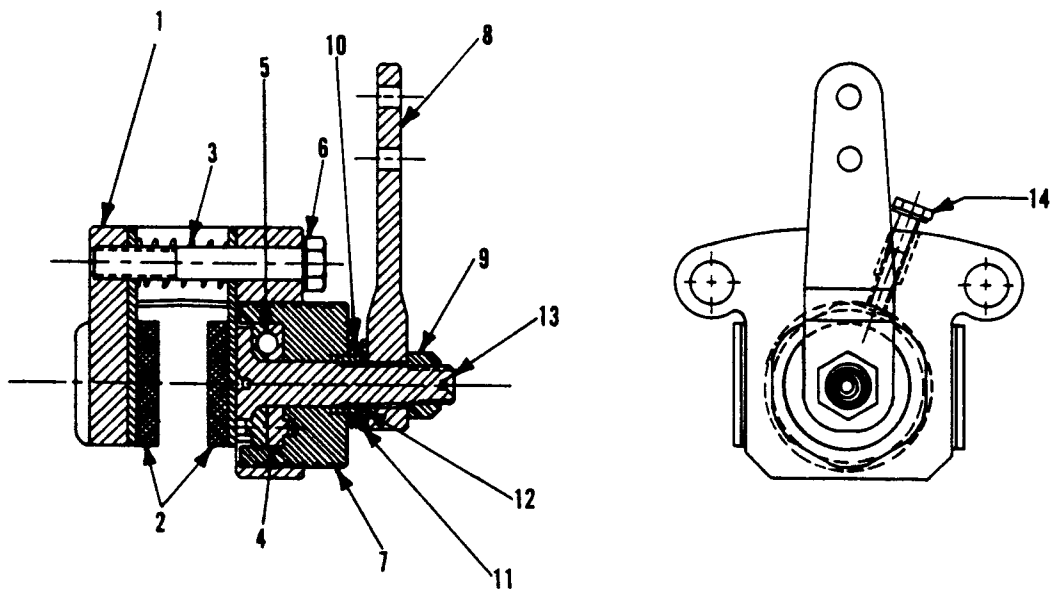
<b>Ref. No.</b>	<b>Part No.</b>	<b>Description</b>	<b>Qty. Req.</b>	<b>Ref. No.</b>	<b>Part No.</b>	<b>Description</b>	<b>Qty. Req.</b>
01	L98287	Flange Plug . . . . .	1	10	L98266	Gear Retaining Ring . . . . .	1
02	L98279	Output Flange & Plug Asy. . . . . (Inc. Item 1)	1	11	L98264	Output Shaft Brg. "O"Ring . . . . .	1
03	L98264	Output Shaft Brg. Snap Ring . . . . .	1	12	L98282	Output Shaft Bearing . . . . .	1
04	L98268	Oil Seal Sleeve "O"Ring . . . . .	1	13	L98281	Oil Seal Sleeve . . . . .	1
05	L96053	Output Shaft Oil Seal . . . . .	1	14	L96053	Output Shaft Oil Seal . . . . .	1
06	L98281	Oil Seal Sleeve . . . . .	1	15	L98268	Output Shaft Sleeve "O"Ring . . . . .	1
07	L98282	Output Shaft Bearing . . . . .	1	16	L98264	Output Shaft Brg. "O"Ring . . . . .	1
08	L98264	Output Shaft Brg. Snap Ring . . . . .	1	17	L98283	Output Shaft & Brake Flange (SC) . . . . .	1
09	L98266	Flange Retaining Ring . . . . .	1	18	L98284	Output Shaft Gear . . . . .	1

**Disc Brake Group**



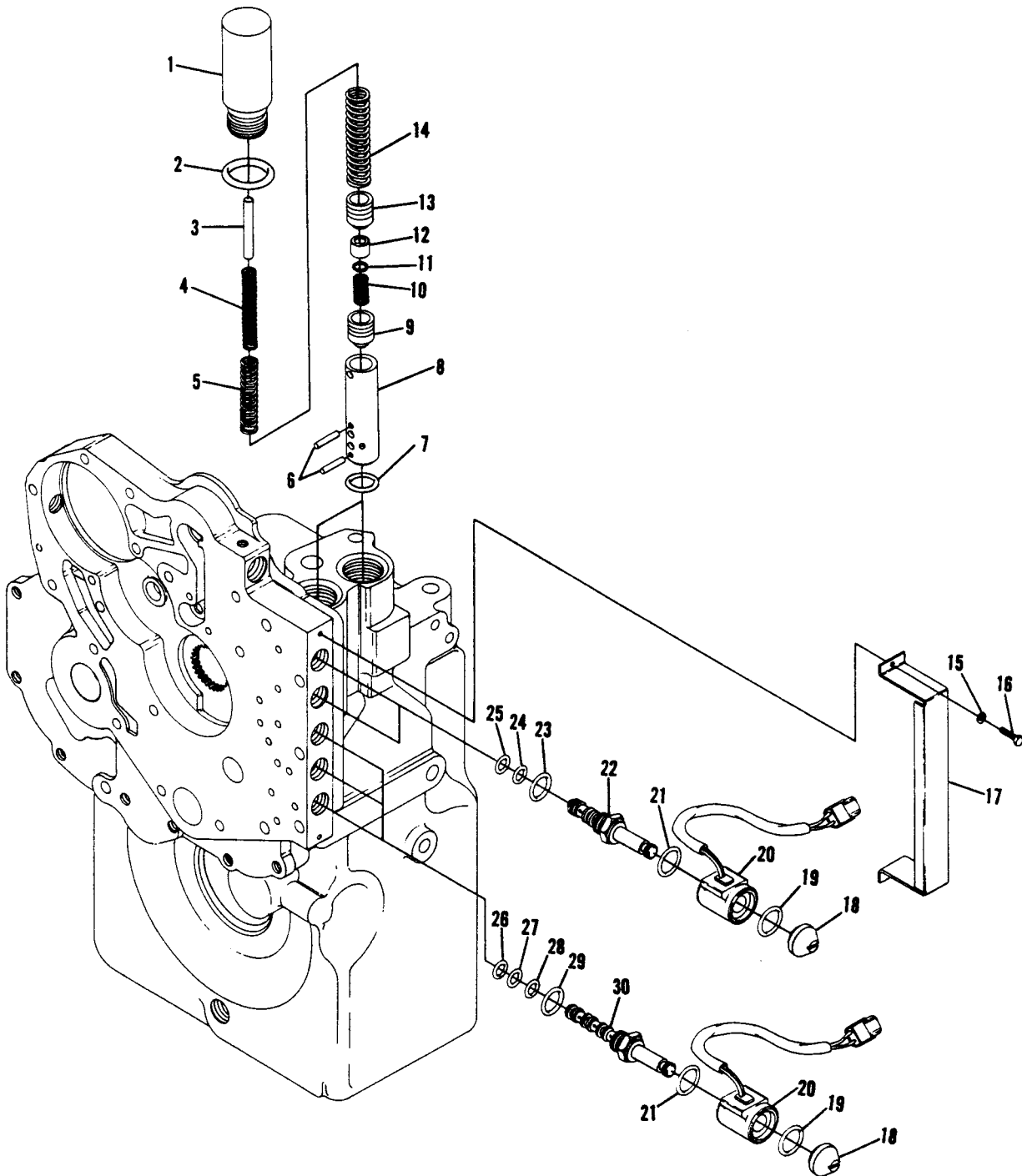
Ref. No.	Part No.	Description	Qty. Req.	Ref. No.	Part No.	Description	Qty. Req.
01	L99040	Caliper Asy. Capscrew Lock Nut . . .	2	04	L98287	Brake Disc . . . . .	1
02	L98970	Caliper Brake Asy. (See Parts List) .	1	05	L99042	Brake Disc Capscrew Lockwasher .	4
03	L99041	Caliper Assy. Mtg. Capscrew . . . . .	2	06	L99043	Brake Disc Capscrew . . . . .	4

**Brake Caliper Assembly**



Ref. No.	Part No.	Description	Qty. Req.	Ref. No.	Part No.	Description	Qty. Req.
01	NSS	Housing		11	NSS	Retainer	
02	L98288	Lining Kit . . . . .	1	12	NSS	Retainer Ring	
03	NSS	Spring		13	NSS	Piston	
04	NSS	Cam Plate		14	NSS	Capscrew	
05	NSS	Ball		15	L98290	Piston & Module Assy. Kit. . . . .	1
06	NSS	Capscrew				(Incl. Items 4,5,7 Thru 13)	
07	NSS	Body		16	L98285	Ball & Cam Repair Kit . . . . .	1
08	L98289	Lever . . . . .	1			(Incl. Items 4,5)	
09	NSS	Nut		17	L98970	Caliper Assy. . . . .	1
10	NSS	Belleville Spring				(Incl. Items 1 thru 14)	

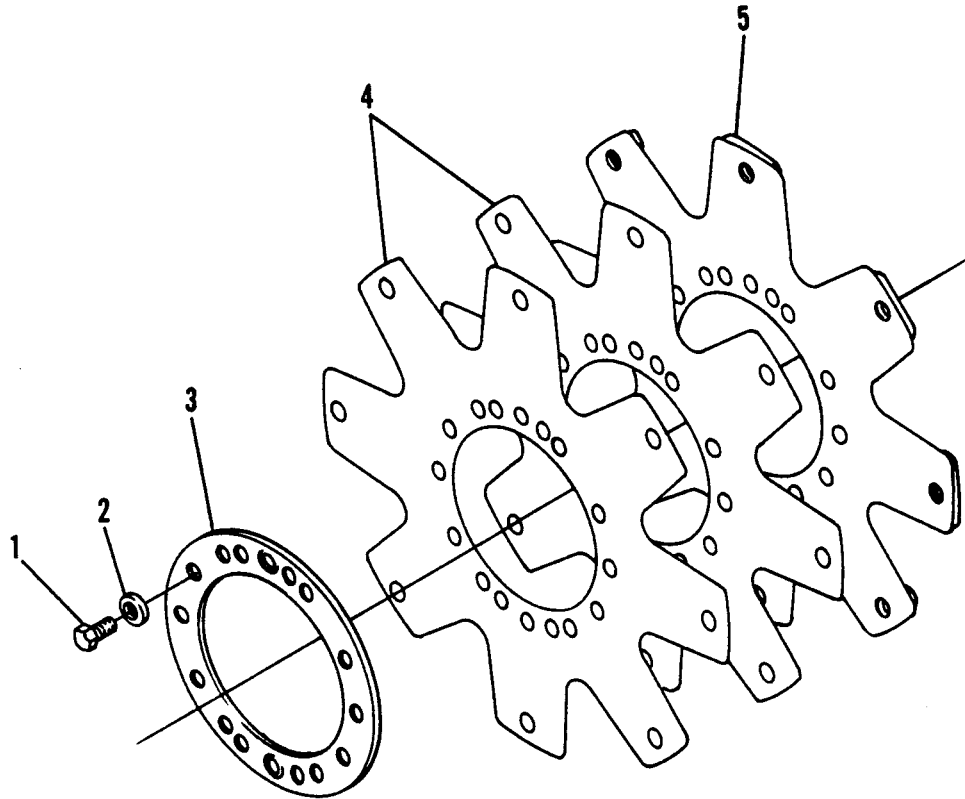
**Electric Control w/Modulation Group**



***Electric Control w/Modulation Group***

<b>Ref. No.</b>	<b>Part No.</b>	<b>Description</b>	<b>Qty. Req.</b>	<b>Ref. No.</b>	<b>Part No.</b>	<b>Description</b>	<b>Qty. Req.</b>
01	L98291	Modulator Valve Housing . . . . .	1	20	L98308	Solenoid Coil - 12 Volt . . . . .	4
02	L98292	Modulator Housing "O" Ring . . . . .	1	21	L98307	Coil to Cartridge "O"Ring . . . . .	4
03	L98293	Stop Pin . . . . .	1	22	L98309	Valve Cartridge, 2 Way. . . . .	2
04	L98294	Spring - Inner . . . . .	1			Used at Rev.& Fwd. (Incl. Items 23,24,25)	
05	L98295	Spring - Middle . . . . .	1				
06	L98296	Pin . . . . .	2	23	L98310	Cartridge "O"Ring . . . . .	2
07	L98297	Sleeve "O"Ring . . . . .	1	24	L98311	Cartridge "O"Ring . . . . .	2
08	L98298	Modulation Housing Sleeve . . . . .	1	25	L98312	Cartridge "O",Ring . . . . .	2
09	L98299	Regulator Spool . . . . .	1	26	L98313	Cartridge "O"Ring . . . . .	3
10	L98300	Spring . . . . .	1	27	L98312	Cartridge "O"Ring . . . . .	2
11	L98301	Spring Spacer. . . . .	1	28	L98311	Cartridge "O"Ring . . . . .	3
12	L98302	Spring Retainer . . . . .	1	29	L98310	Cartridge "O"Ring . . . . .	3
13	L98303	Accumulator Spool . . . . .	1	30	L98314	Valve Cartridge, 4 Way. . . . .	2
14	L98304	Spring - Outer . . . . .	1			Used at 1st & 2nd - 3rd (Incl. Items 26-29)	
15	L99034	Cover Screw Lockwasher . . . . .	2				
16	L99035	Cover Screw . . . . .	2	30A	L98315	Solenoid Bore Plug . . . . .	1
17	L98305	Protective Cover. . . . .	1			Used at Fwd.-Hi & Low (Incl. (1) of Itmes 26,28,29)	
18	L98306	Valve Cartridge Retainer Nut . . . . .	4				
19	L98307	Nut to Coil "O, Ring . . . . .	4				

***Drive Plate Group***



Ref. No.	Part No.	Description	Qty. Req.	Ref. No.	Part No.	Description	Qty. Req.
01	L99033	Drive Plate Mounting Screw		04	NNS	Drive Plate - (Incl. In Item #5)	
02	L99030	Drive Plate Mounting Screw Lockwasher		05	L98317	Drive Plate Asy. Kit (Incl. Items 1 thru 4)	
03	L97516	Drive Plate Backing Ring					

***Numerical Index***

<b>Part No.</b>	<b>Page No.</b>	<b>Ref. No.</b>	<b>Part No.</b>	<b>Page No.</b>	<b>Ref. No.</b>	<b>Part No.</b>	<b>Page No.</b>	<b>Ref. No.</b>	<b>Part No.</b>	<b>Page No.</b>	<b>Ref. No.</b>
L94824	4-7	15	L98233	4-13	08	L98241	4-19	30	L98253	4-19	44
L96053	4-21	05	L98235	4-19	37	L98241	4-15	26	L98254	4-15	47
L96053	4-21	14	L98235	4-19	35	L98242	4-17	12	L98254	4-3	42
L97508	4-5	03	L98235	4-15	36	L98242	4-19	17	L98254	4-3	47
L97516	4-26	03	L98235	4-19	38	L98242	4-15	25	L98254	4-15	42
L98176	4-7	25	L98235	4-15	34	L98242	4-19	29	L98255	4-3	45
L98177	4-7	07	L98235	4-19	11	L98242	4-15	13	L98255	4-15	45
L98177	4-7	28	L98235	4-15	31	L98243	4-15	24	L98257	4-19	01
L98179	4-7	06	L98235	4-15	07	L98243	4-19	28	L98257	4-17	01
L98180	4-7	08	L98235	4-19	09	L98243	4-15	14	L98258	4-17	02
L98181	4-7	10	L98235	4-19	08	L98243	4-17	11	L98260	4-19	41
L98182	4-7	14	L98235	4-15	05	L98243	4-19	18	L98260	4-17	05
L98184	4-7	21	L98235	4-19	06	L98244	4-15	23	L98261	4-17	06
L98185	4-7	22	L98235	4-15	04	L98244	4-17	10	L98262	4-17	09
L98188	4-8	01	L98235	4-17	20	L98244	4-15	15	L98263	4-17	22
L98189	4-8	02	L98235	4-15	33	L98244	4-19	19	L98264	4-21	11
L98190	4-8	03	L98235	4-19	40	L98244	4-19	27	L98264	4-21	03
L98191	4-8	04	L98235	4-15	02	L98245	4-15	16	L98264	4-17	24
L98191	4-8	06	L98235	4-17	18	L98245	4-15	22	L98264	4-17	30
L98192	4-8	05	L98236	4-19	36	L98246	4-19	25	L98264	4-17	25
L98193	4-11	01	L98236	4-15	35	L98246	4-19	21	L98264	4-21	16
L98194	4-8	07	L98236	4-15	03	L98246	4-17	08	L98264	4-21	08
L98195	4-8	08	L98236	4-17	19	L98246	4-15	17	L98266	4-21	09
L98195	4-8	10	L98236	4-19	07	L98246	4-15	21	L98266	4-17	27
L98196	4-8	09	L98236	4-15	06	L98247	4-17	07	L98266	4-21	10
L98197	4-8	20	L98236	4-19	10	L98247	4-19	24	L98267	4-17	28
L98198	4-8	11	L98236	4-19	39	L98247	4-19	22	L98268	4-21	15
L98199	4-8	12	L98236	4-15	32	L98247	4-15	18	L98268	4-17	29
L98200	4-8	13	L98237	4-15	08	L98247	4-15	20	L98268	4-21	04
L98201	4-8	14	L98237	4-15	30	L98248	4-15	19	L98271	4-17	21
L98202	4-8	15	L98237	4-19	12	L98249	4-15	37	L98272	4-19	02
L98203	4-8	16	L98237	4-19	34	L98250	4-15	38	L98273	4-19	04
L98204	4-8	17	L98237	4-17	17	L98250	4-19	03	L98274	4-19	23
L98205	4-8	18	L98238	4-19	33	L98250	4-17	03	L98275	4-19	42
L98206	4-8	19	L98238	4-19	13	L98251	4-15	39	L98276	4-3	46
L98211	4-9	07	L98238	4-17	16	L98252	4-15	40	L98276	4-19	46
L98212	4-9	06	L98238	4-15	29	L98253	4-15	43	L98277	4-19	49
L98213	4-11	02	L98238	4-15	09	L98253	4-15	46	L98277	4-3	49
L98214	4-11	03	L98239	4-17	15	L98253	4-19	48	L98279	4-21	02
L98215	4-11	04	L98239	4-19	14	L98253	4-3	48	L98281	4-21	06
L98216	4-11	05	L98239	4-15	28	L98253	4-19	47	L98281	4-21	13
L98217	4-7	35	L98239	4-19	32	L98253	4-3	44	L98282	4-21	12
L98218	4-7	36	L98239	4-15	10	L98253	4-3	45	L98282	4-21	07
L98219	4-11	06	L98240	4-15	11	L98253	4-3	47	L98282	4-17	26
L98220	4-11	07	L98240	4-17	14	L98253	4-15	41	L98283	4-21	17
L98224	4-11	17	L98240	4-19	31	L98253	4-3	41	L98284	4-3	18
L98228	4-13	01	L98240	4-15	27	L98253	4-15	48	L98284	4-21	18
L98229	4-13	02	L98240	4-19	15	L98253	4-3	43	L98285	4-23	16
L98230	4-13	03	L98240	4-19	16	L98253	4-3	46	L98287	4-21	01
L98231	4-13	04	L98241	4-15	12	L98253	4-3	48	L98287	4-22	04
L98232	4-13	05	L98241	4-17	13	L98253	4-19	45	L98288	4-23	02

***Numerical Index***

<b>Part No.</b>	<b>Page No.</b>	<b>Ref. No.</b>	<b>Part No.</b>	<b>Page No.</b>	<b>Ref. No.</b>	<b>Part No.</b>	<b>Page No.</b>	<b>Ref. No.</b>
L98289	4-23	08	L98965	4-3	31	L99249	4-7	05
L98290	4-23	15	L98965	4-17	31	L99250	4-7	18
L98291	4-25	01	L98968	4-19	43	L99251	4-7	20
L98292	4-25	02	L98968	4-3	43	L99252	4-7	23
L98293	4-25	03	L98970	4-23	17	L99253	4-7	26
L98294	4-25	04	L98970	4-22	02	L99254	4-7	34
L98295	4-25	05	L98186	4-5	04	L99267	4-7	17
L98296	4-25	06	L99011	4-7	03	L99268	4-3	32
L98297	4-25	07	L99013	4-7	19	L99268	4-17	32
L98298	4-25	08	L99015	4-7	09	L99270	4-7	27
L98299	4-25	09	L99021	4-5	05	L99272	4-11	18
L98300	4-25	10	L99022	4-11	08	L99273	4-11	19
L98301	4-25	11	L99022	4-11	11			
L98302	4-25	12	L99024	4-11	09			
L98303	4-25	13	L99026	4-11	10			
L98304	4-25	14	L99028	4-11	12			
L98305	4-25	17	L99029	4-7	39			
L98306	4-25	18	L99029	4-7	24			
L98307	4-25	21	L99029	4-7	33			
L98307	4-25	19	L99029	4-7	31			
L98308	4-25	20	L99029	4-5	11			
L98309	4-25	22	L99029	4-5	07			
L98310	4-25	29	L99029	4-5	09			
L98310	4-25	23	L99030	4-11	13			
L98311	4-25	24	L99030	4-26	02			
L98311	4-25	28	L99031	4-13	07			
L98312	4-25	27	L99032	4-13	06			
L98312	4-25	25	L99033	4-26	01			
L98313	4-25	26	L99034	4-25	15			
L98314	4-25	30	L99035	4-25	16			
L98315	4-25	30A	L99038	4-19	26			
L98317	4-26	05	L99038	4-19	20			
L98924	4-7	13	L99039	4-17	22			
L98924	4-7	02	L99040	4-22	01			
L98931	4-7	29	L99041	4-22	03			
L98932	4-7	30	L99042	4-22	05			
L98935	4-7	37	L99043	4-22	06			
L98942	4-9	05	L99044	4-7	38			
L98942	4-9	01	L99044	4-7	32			
L98943	4-9	02	L99044	4-5	12			
L98944	4-9	03	L99184	4-11	14			
L98945	4-9	04	L99246	4-7	04			
L98947	4-9	08	L99246	4-5	01			
L98950	4-11	15	L99246	4-5	02			
L98951	4-11	16	L99246	4-7	11			
L98955	4-13	09	L99246	4-7	16			
L98955	4-3	09	L99246	4-5	06			
L98962	4-15	44	L99247	4-5	08			
L98962	4-3	44	L99247	4-5	10			
L98964	4-17	04	L99248	4-7	12			
L98964	4-19	05	L99248	4-7	01			



**GEHL® CONSTRUCTION**

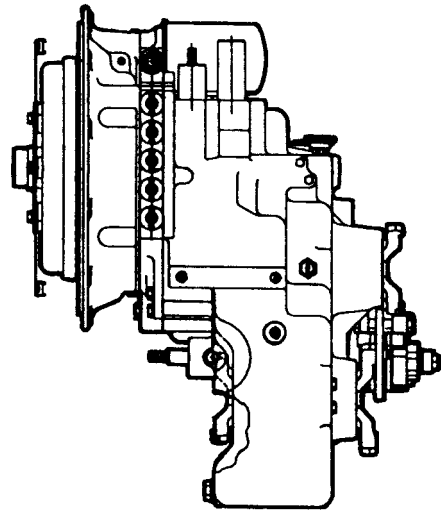
---

# **T12000**

## **Clark**

### **Transmission**

**Model No.**  
**1102-T12366-11**



# **SERVICE PARTS**



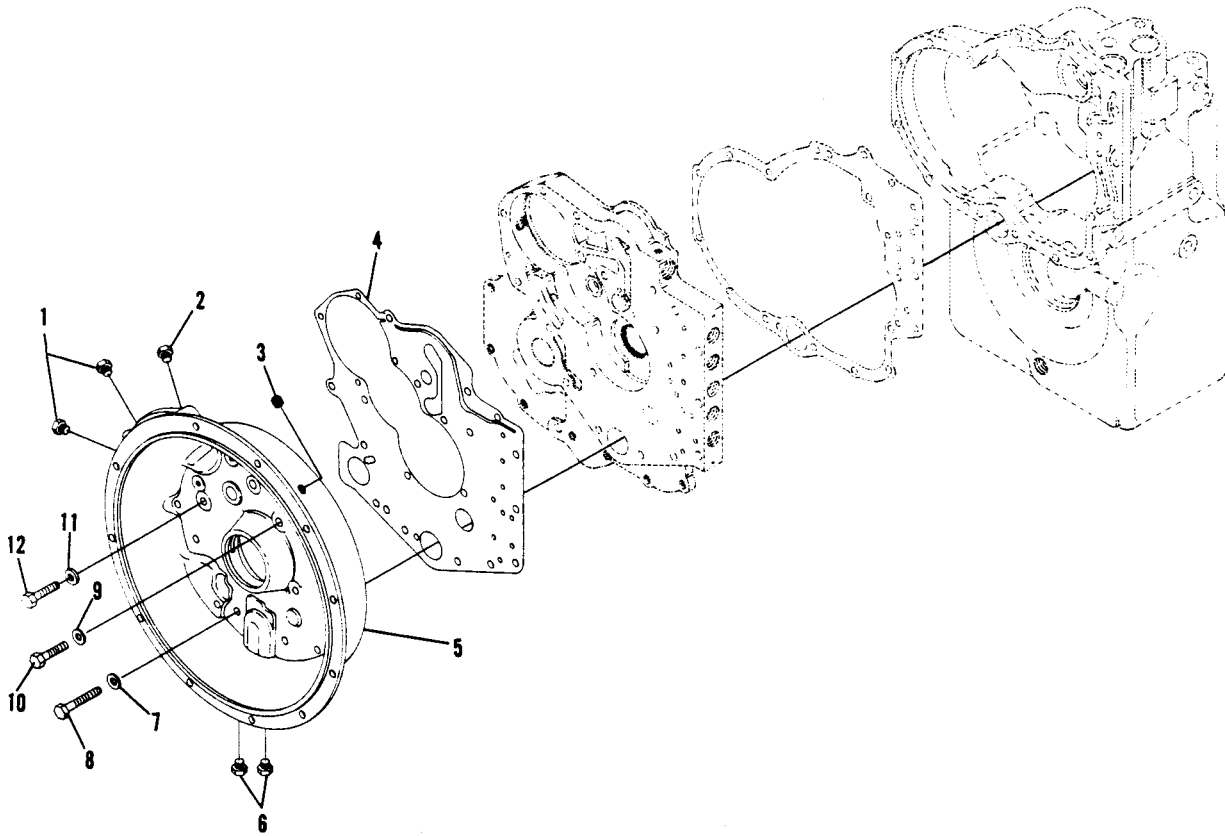
Section Contents ..... **5-1**  
4260026 - Special Parts Group ..... **5-3**  
4424031 - Converter Housing Group ..... **5-4**  
4224083 - Case and Plate Group ..... **5-6**  
267164 - Torque Converter Group ..... **5-8**  
267396 - Pump Drive Group ..... **5-9**  
4224064 - Charge Pump Group ..... **5-10**  
267079 - Reverse Idler Group ..... **5-12**  
267169 - Forward/Reverse Shaft Group ..... **5-14**  
267185 - 3rd and Output Shaft Group ..... **5-16**  
267082 - 1st and 2nd Shaft Group ..... **5-18**  
267083 - Output Shaft Group ..... **5-20**  
267270 - Disc Brake Group ..... **5-22**  
4201407 - Brake Caliper Assembly ..... **5-23**  
4224059 - Electric Control With Modulation Group ..... **5-24**  
267086 - Drive Plate Group ..... **5-26**  
Numerical Index ..... **5-27**

**This Page Intentionally Blank**

***Special Parts Group***

Ref. No.	Part No.	Description	Qty. Req.	Ref. No.	Part No.	Description	Qty. Req.
<b>PAGE 12/13</b>				<b>PAGE 18/19</b>			
09	L98955	REV. IDLER GEAR (26T) . . . . .	1	43	L98968	1ST CLUTCH GEAR & BRG. ASY (Incl. Items 44,45) . . . . .	1
<b>PAGE 14/15</b>				44	L98253	BEARING. . . . .	1
41	L98253	REV. CLUTCH GEAR BRG. . . . .	1	45	L98253	BEARING. . . . .	1
42	L98254	REV. CLUTCH GEAR SPACER . . .	1	46	L98276	2ND CLUTCH GEAR & BRG. ASY (Incl. Items 47,48)	1
43	L98253	REV. CLUTCH GEAR BRG. . . . .	1	47	L98253	BEARING. . . . .	1
44	L98962	REV. CLUTCH GEAR. . . . .	1	48	L98253	BEARING. . . . .	1
		& BRG. ASY. (Incl. Items 41-43)		49	L98277	3RD DRIVEN GEAR (18T) . . . . .	1
45	L98255	FWD. CLUTCH GEAR . . . . .	1	<b>PAGE 20/21</b>			
		& BRG. ASY. (Incl. Items 46-48)		18	L98284	OUTPUT SHAFT GEAR (40T) . . . . .	1
46	L98253	FWD. CLUTCH GEAR BRG. . . . .	1				
47	L98254	FWD. CLUTCH GEAR SPACER. . .	1				
48	L98253	FWD. CLUTCH GEAR BRG. . . . .	1				
<b>PAGE 16/17</b>							
31	L98965	1ST DRIVE GEAR (29T) . . . . .	1				
32	L99270	3RD GEAR & OUTPUT SHAFT (46T). . . . .	1				

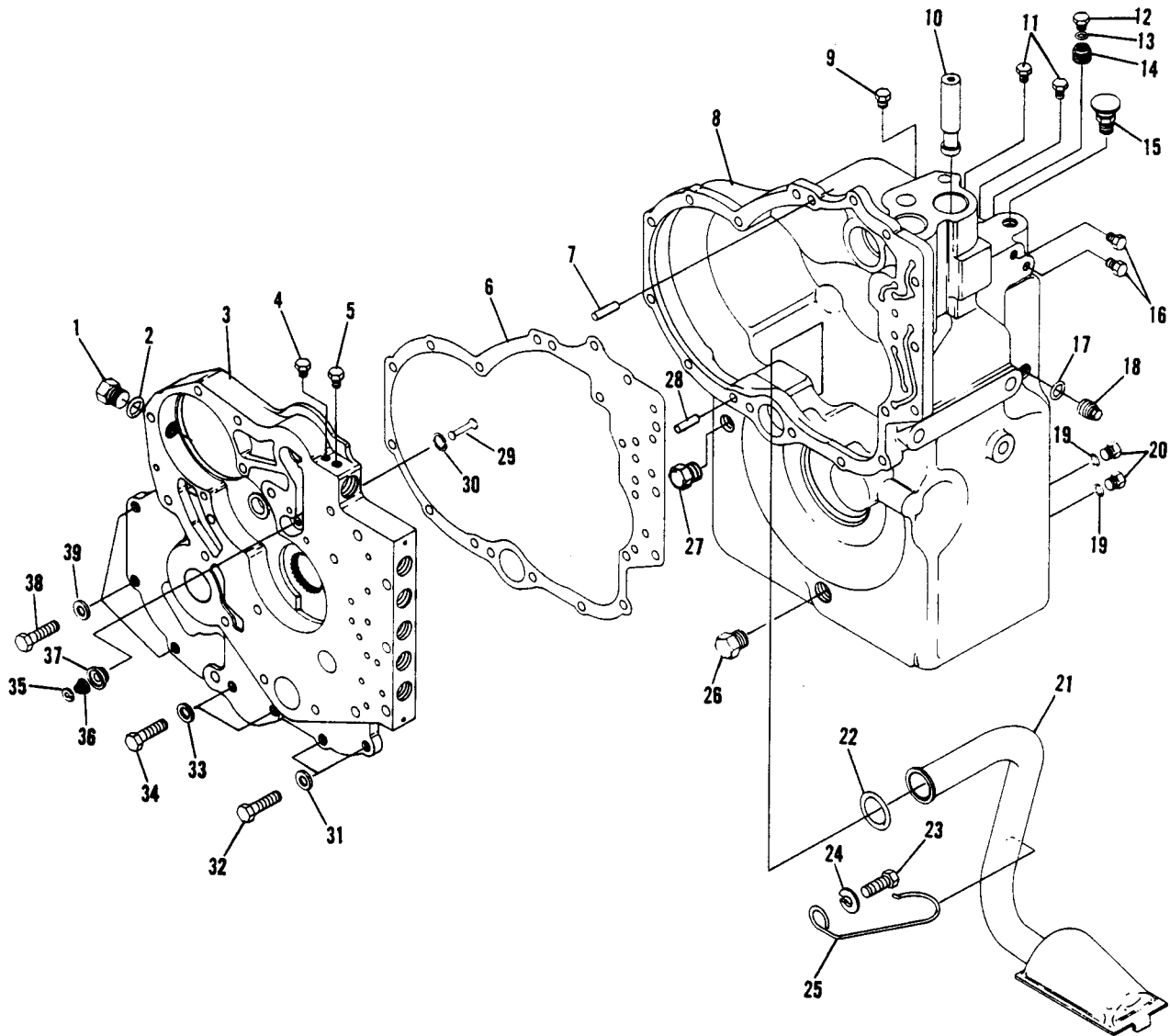
**Converter Housing Group**



***Converter Housing Group***

<b>Ref. No.</b>	<b>Part No.</b>	<b>Description</b>	<b>Qty. Req.</b>	<b>Ref. No.</b>	<b>Part No.</b>	<b>Description</b>	<b>Qty. Req.</b>
01	L99246	Plug (Hi & 3rd Port) . . . . .	2	09	L99029	Conv. Housing. to Plate	
02	L99246	Reg. Pressure Port Plug. . . . .	1			Screw Lockwasher . . . . .	1
03	L97508	Plug . . . . .	1	10	L99260	Conv. Hsg. to Plate Screw . . . . .	1
04	L98938	Housing to Plate Gasket. . . . .	1	11	L99029	Conv. Hsg. to Plate . . . . .	6
05	L98939	Converter Housing . . . . .	1			Screw Lockwasher	
06	L99246	Plug (1st & 2nd Port) . . . . .	2	12	L99018	Conv. Hsg. to Plate Screw . . . . .	6
07	L99029	Conv. Hsg. to Trans. Case		13	L99261	Conv. Hsg. to Plate Screw (N.I.) . . .	1
		Screw Lockwasher . . . . .	13	14	L99029	Conv. Hsg. to Plate	
08	L99260	Conv. Housing. to Trans.				Screw Lockwasher (N.I.) . . . . .	1
		Case Screw . . . . .	13	15	L99262	Check valve Bore Plug (N.I.) . . . . .	1

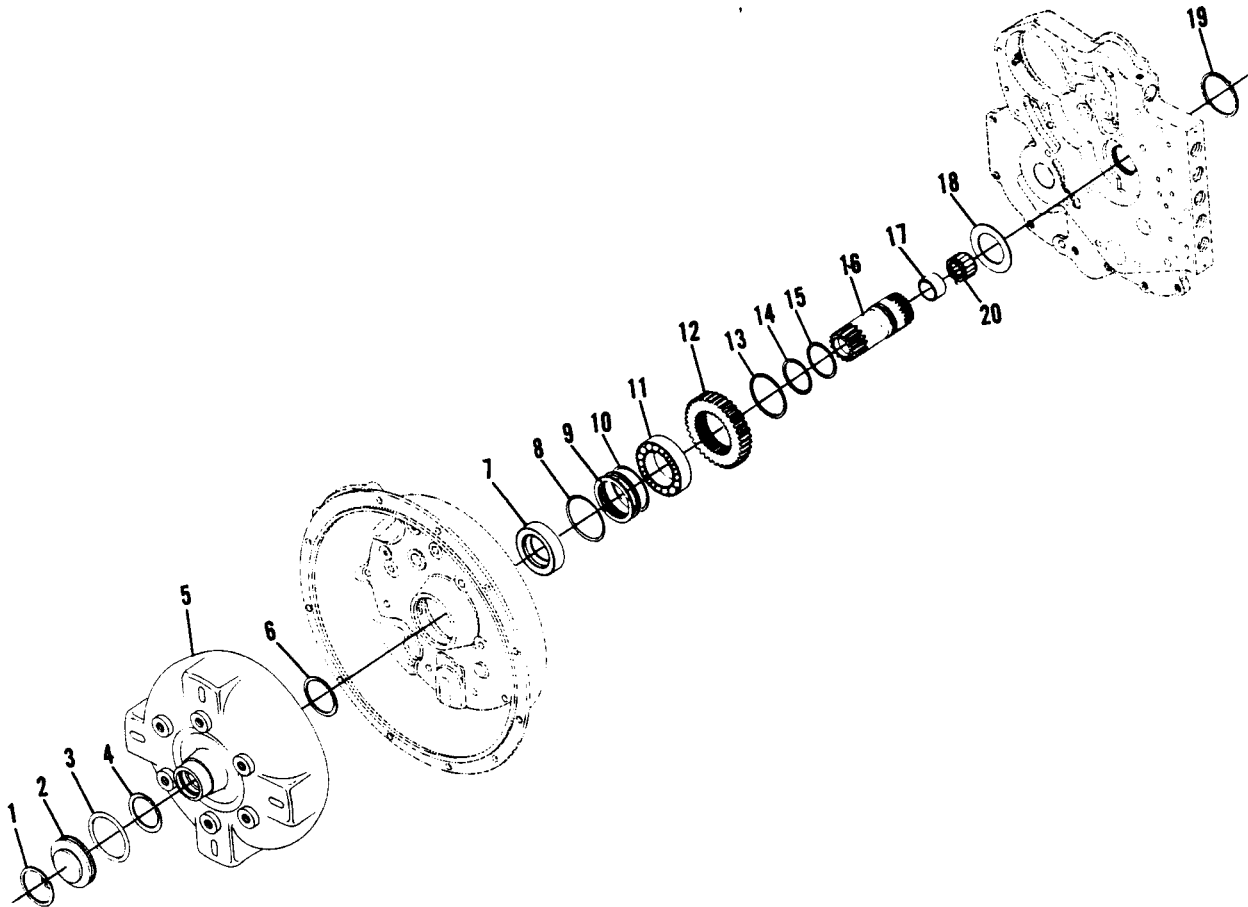
Case & Plate Group



**Case & Plate Group**

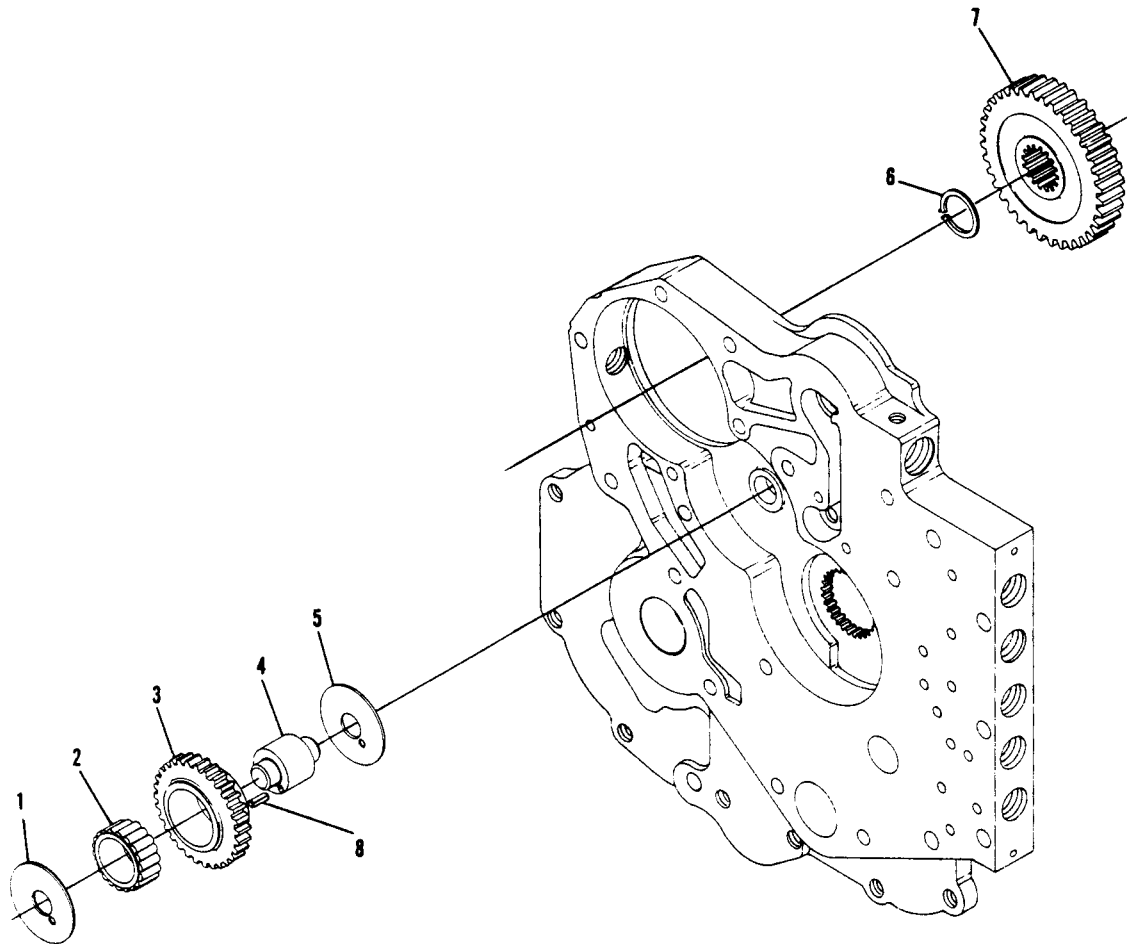
Ref. No.	Part No.	Description	Qty. Req.	Ref. No.	Part No.	Description	Qty. Req.
01	L99248	Sensor Port Plug . . . . .	1	23	L99269	Retainer Clip Screw . . . . .	1
02	L98924	Sensor Port Plug "O"Ring . . . . .	1	24		(Not Used)	
03	L98925	Spacer Plate . . . . .	1	25	L98176	Oil Supply Tube Retainer Clip . . . . .	1
04	L99246	Inlet Pressure Port Plug . . . . .	1	26	L99253	Magnetic Drain Plug . . . . .	1
05	L99249	Outlet Temperture Port Plug . . . . .	1	27	L99270	Drain Back Port Plug . . . . .	1
06	L98926	Plate to Transmission Case Gasket . . . . .	1	28	L98927	Plate to Transmission Case Dowel Pin . . . . .	1
07	L98927	Plate to Transmission Case Dowel Pin . . . . .	1	29	L98931	Converter Safety Valve Poppet . . . . .	1
08	L98928	Transmission Case . . . . .	1	30	L98932	Seat Snap Ring . . . . .	1
09	L99274	Filler Plug . . . . .	1	31	L99029	Plate to Transmission Case Screw Lockwasher . . . . .	2
10		(Not Used)		32	L99018	Plate to Transmission Case Screw . . . . .	2
11	L99246	Pipe Plug . . . . .	2	33	L99029	Plate to Transmission Case Screw Lockwasher . . . . .	2
12	L99248	Auto Shift Sensor Port Plug . . . . .	1	34	L99045	Plate to Transmission Case Screw . . . . .	3
13	L98924	Sensor Port Plug "O" Ring . . . . .	1	35	L98217	Poppet Washer . . . . .	1
14	L98929	Sensor Adjusting Bushing . . . . .	1	36	L98218	Safety Valve Spring . . . . .	1
14A	L98930	Sensor Adjust. Bushing Shim (N.I.) . . . . .	AR	37	L98935	Safety Valve Seat . . . . .	1
15	L94824	Air Breather . . . . .	1	38	L99018	Plate to Transm. Case Screw . . . . .	3
16	L99246	Pipe Plug . . . . .	2	39	L99029	Plate to Transsion Case Screw Lockwasher . . . . .	3
17		(Not Used)		40	L98734	Dipstick Tube (N.I.) . . . . .	1
18	L99012	Sensor Port Plug . . . . .	1	41	L98735	Dipstick Asy. (N.I.) . . . . .	1
19	L99013	Plug "O" Ring . . . . .	2				
20	L99251	Oil Level Plug . . . . .	2				
21	L98184	Tube & Screen Assembly . . . . .	1				
22	L98185	Oil Supply Tube Seal Ring . . . . .	1				

**Torque Converter Group**



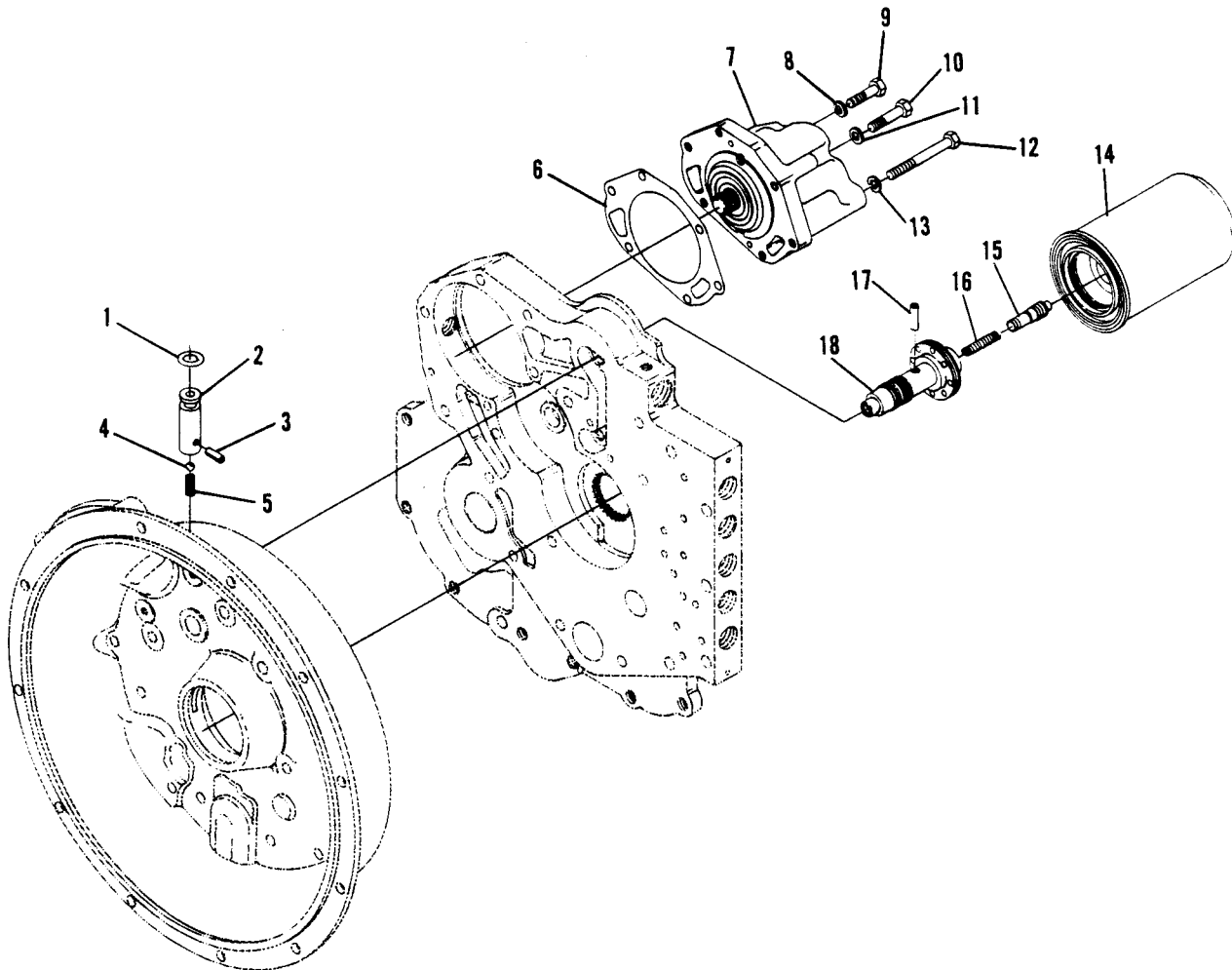
Ref. No.	Part No.	Description	Qty. Req.	Ref. No.	Part No.	Description	Qty. Req.
01	L98188	Plug Snap Ring . . . . .	1	12	L98199	Impeller Hub Gear (35T). . . . .	1
02	L98189	Torque Converter Plug . . . . .	1	13	L98200	Stator Support Snap Ring. . . . .	1
03	L98190	Torque Converter Plug "O" Ring . . .	1	14	L98201	Stator Support Piston Ring . . . . .	1
04	L98191	Impeller Hub Snap Ring . . . . .	1	15	L98202	Stator Support Piston . . . . .	1
05	L98192	Torque Converter Asy. . . . .	1			Ring Expander	
06	L98191	Impeller Hub Snap Ring . . . . .	1	16	L98203	Stator Support Asy . . . . .	1
07	L98194	Conv. Hsg. Oil Seal . . . . .	1			(Inc. Item 17 & 20)	
08	L98195	Oil Distributor Ring "O"Ring . . . . .	1	17	L98204	Bushing (Inc. in Item 16) . . . . .	1
09	L98196	Oil Distributor Ring . . . . .	1	18	L98205	Impeller Hub Gear Washer . . . . .	1
10	L98195	Oil Distributor Ring "O"Ring . . . . .	1	19	L98206	Stator Support Snap Ring. . . . .	1
11	L98198	Torque Conv. Bearing. . . . .	1	20	L98197	Bearing (Inc. In Item #16). . . . .	1

***Pump Drive Group***



Ref. No.	Part No.	Description	Qty. Req.	Ref. No.	Part No.	Description	Qty. Req.
01	L98942	Pump Drive Idler Thrust Washer . . .	1	05	L98942	Pump Drive Idler Thrust Washer . . .	1
02	L98943	Idler Gear Bearing . . . . .	1	06	L98212	Pump Drive Gear Ret Snap Ring . .	1
03	L98944	Pump Drive Idler Gear (31T) . . . . .	1	07	L98211	Pump Drive Gear (34T) . . . . .	1
04	L98945	Pump Drive Idler Shaft & Pin Asy. . .	1	08	L98947	Roll Pin (Incl. in Item #4) . . . . .	1
		(Incl. Item #8)					

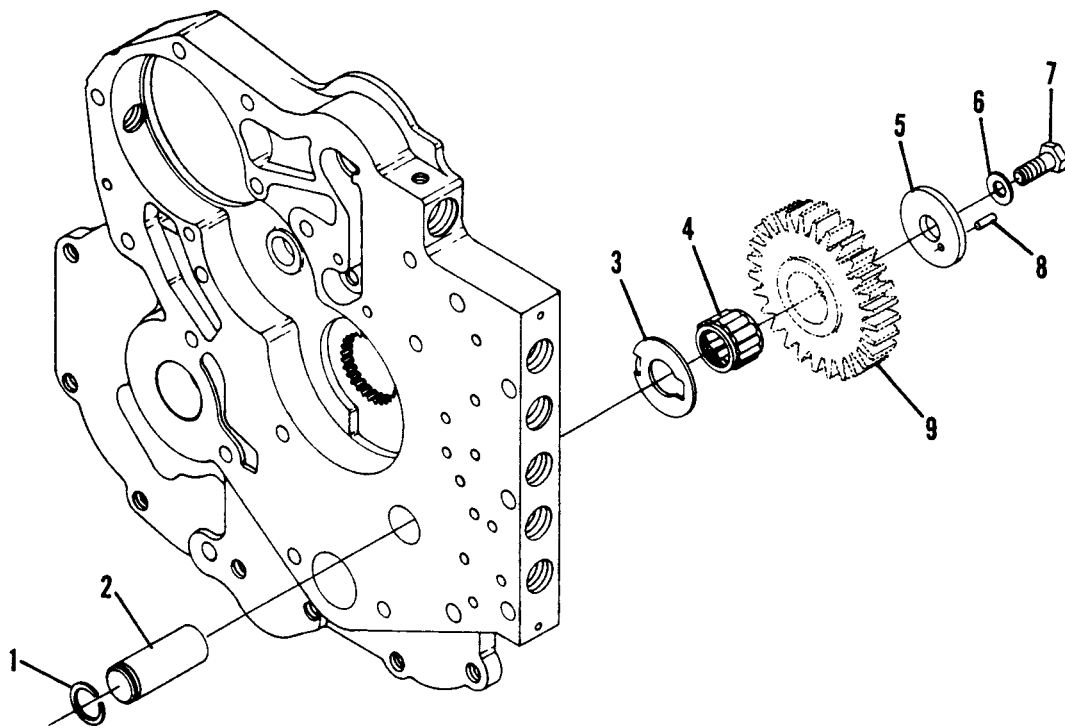
**Charge Pump w/Filter Group**



***Charge Pump w/Filter Group***

<b>Ref. No.</b>	<b>Part No.</b>	<b>Description</b>	<b>Qty. Req.</b>	<b>Ref. No.</b>	<b>Part No.</b>	<b>Description</b>	<b>Qty. Req.</b>
01	L98948	"O"Ring .....	1	11	L99020	Pump Mtg. Screw Lockwasher .....	4
02	L98949	Ball Check Valve Asy. .... (Inc. Items 1 thru 5)	1	12	L99027	Pump Mtg. Screw .....	1
03	L98214	Pin .....	1	13	L99029	Pump Mtg. Screw Lockwasher .....	1
04	L98215	Ball .....	1	14	L99184	Filter Assembly .....	1
05	L98216	Spring .....	1	15	L98950	Piston .....	1
06	L98219	Charging Pump Gasket .....	1	16	L98951	Spring .....	1
07	L98220	Charging Pump .....	1	17	L98952	Pin .....	1
08	L99020	Pump Mtg. Screw Lockwasher .....	1	18	L98953	Sleeve .....	1
09	L99023	Pump Mounting Scew .....	1	19	L98954	Regulator Valve Asy. .... (Inc. Items 15 thru 18)	1
10	L99025	Pump Mounting Screw .....	4				

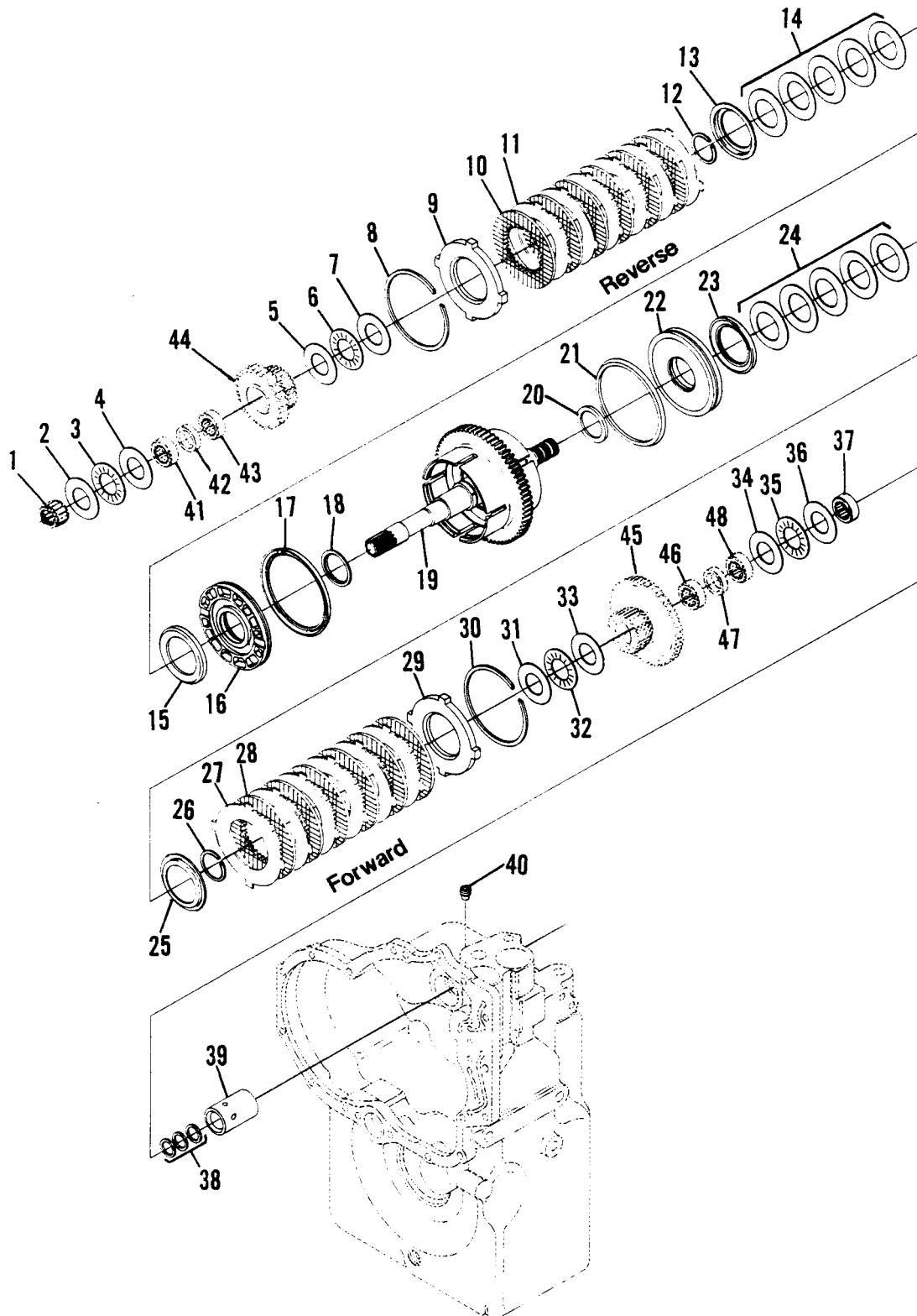
*Reverse Idler Group*



***Reverse Idler Group***

<b>Ref. No.</b>	<b>Part No.</b>	<b>Description</b>	<b>Qty. Req.</b>	<b>Ref. No.</b>	<b>Part No.</b>	<b>Description</b>	<b>Qty. Req.</b>
01	L98228	Idler Shaft Snap Ring . . . . .	1	06	L99032	End Plate Capscrew Washer . . . . .	1
02	L98229	Idler & Pilot Shaft . . . . .	1	07	L99031	Rev. Idler End Plate Capscrew . . . . .	1
03	L98230	Thrust Washer . . . . .	1	08	L98233	End Plate to Shaft Roll Pin . . . . .	1
04	L98231	Reverse Idler Gear Bearing . . . . .	1	09	L98955	Reverse Idler Gear . . . . .	1
05	L98232	End Plate . . . . .	1				

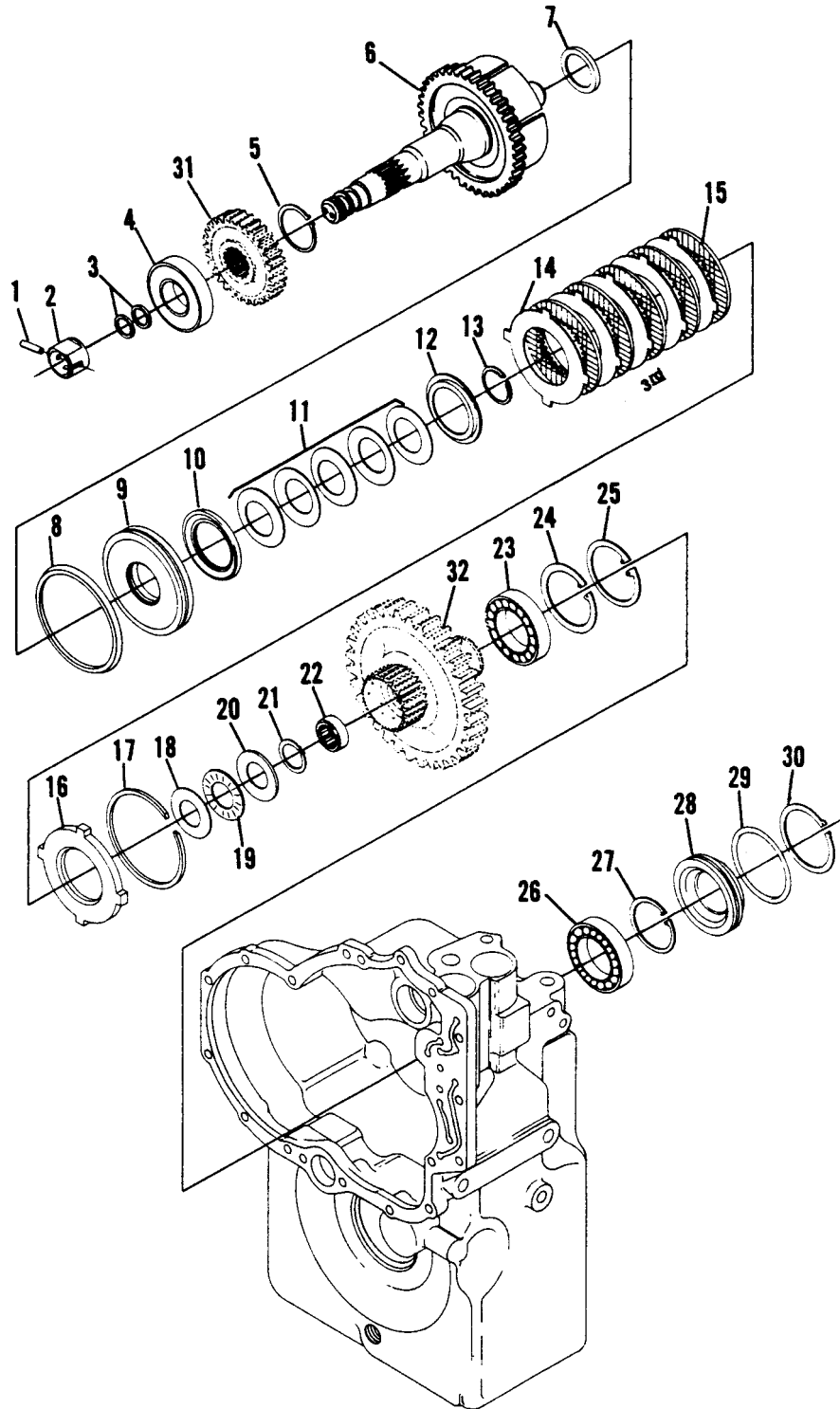
### Forward & Reverse Shaft Group



***Forward & Reverse Shaft Group***

<b>Ref. No.</b>	<b>Part No.</b>	<b>Description</b>	<b>Qty. Req.</b>	<b>Ref. No.</b>	<b>Part No.</b>	<b>Description</b>	<b>Qty. Req.</b>
01		Turbine Shaft Front Bearing <i>(See Converter Group)</i>		26	L98241	Retainer Snap Ring . . . . .	1
02	L98235	Clutch Gear Thrust Washer . . . . .	1	27	L98240	Outer Disc - Forward Clutch . . . . .	6
03	L98236	Clutch Gear Thrust Washer Brg. . . . .	1	28	L98239	Inner Disc - Forward Clutch . . . . .	6
04	L98235	Clutch Gear Thrust Washer . . . . .	1	29	L98238	End Plate . . . . .	1
05	L98235	Clutch Gear Thrust Washer . . . . .	1	30	L98237	End Plate Snap Ring . . . . .	1
06	L98236	Clutch Gear Thrust Washer Brg. . . . .	1	31	L98235	Clutch Gear Thrust Washer . . . . .	1
07	L98235	Clutch Gear Thrust Washer . . . . .	1	32	L98236	Clutch Gear Thrust Washer Brg. . . . .	1
08	L98237	End Plate Snap Ring . . . . .	1	33	L98235	Clutch Gear Thrust Washer . . . . .	1
09	L98238	End Plate . . . . .	1	34	L98235	Clutch Gear Thrust Washer . . . . .	1
10	L98239	Inner Disc-Reverse Clutch . . . . .	6	35	L98236	Clutch Gear Thrust Washer Brg. . . . .	1
11	L98240	Outer Disc-Reverse Clutch . . . . .	6	36	L98235	Clutch Gear Thrust Washer . . . . .	1
12	L98241	Retainer Snap Ring . . . . .	1	37	L98249	Thrbine Shaft Rear Bearing . . . . .	1
13	L98242	Snap Ring Retainer . . . . .	1	38	L98250	Piston Ring . . . . .	3
14	L98243	Disc Spring Asy. . . . .	5	39	L98251	Oil Distributor Sleeve . . . . .	1
15	L98244	Clutch Piston Wear Plate . . . . .	1	40	L98252	Retainer Screw . . . . .	1
16	L98245	Clutch Piston . . . . .	1	41	L98253	Bearing . . . . .	1
17	L98246	Clutch Piston Seal - Outer . . . . .	1	42	L98254	Spacer . . . . .	1
18	L98247	Clutch Piston Seal - Inner. . . . .	1	43	L98253	Bearing . . . . .	1
19	L98248	Turbine Shaft Drum & Plug Asy. . . . .	1	44	L98962	Rev. Clutch Gear & Brg. Asy. . . . .	1
20	L98247	Clutch Piston Seal - Inner. . . . .	1			(Incl. Items 41 thru 43)	
21	L98246	Clutch Piston Seal - Outer . . . . .	1	45	L98255	Fwd. Clutch Gear & Brg. Asy. . . . .	1
22	L98245	Clutch Piston . . . . .	1			(Incl. Items 46 thru 48)	
23	L98244	Clutch Piston Wear Plate . . . . .	1	46	L98253	Bearing . . . . .	1
24	L98243	Disc Spring Asy. . . . .	5	47	L98254	Spacer - <i>See Special Parts Sect.</i> . . . . .	1
25	L98242	Snap Ring Retainer . . . . .	1	48	L98253	Bearing - <i>See Special Parts Sect.</i> . . . . .	1

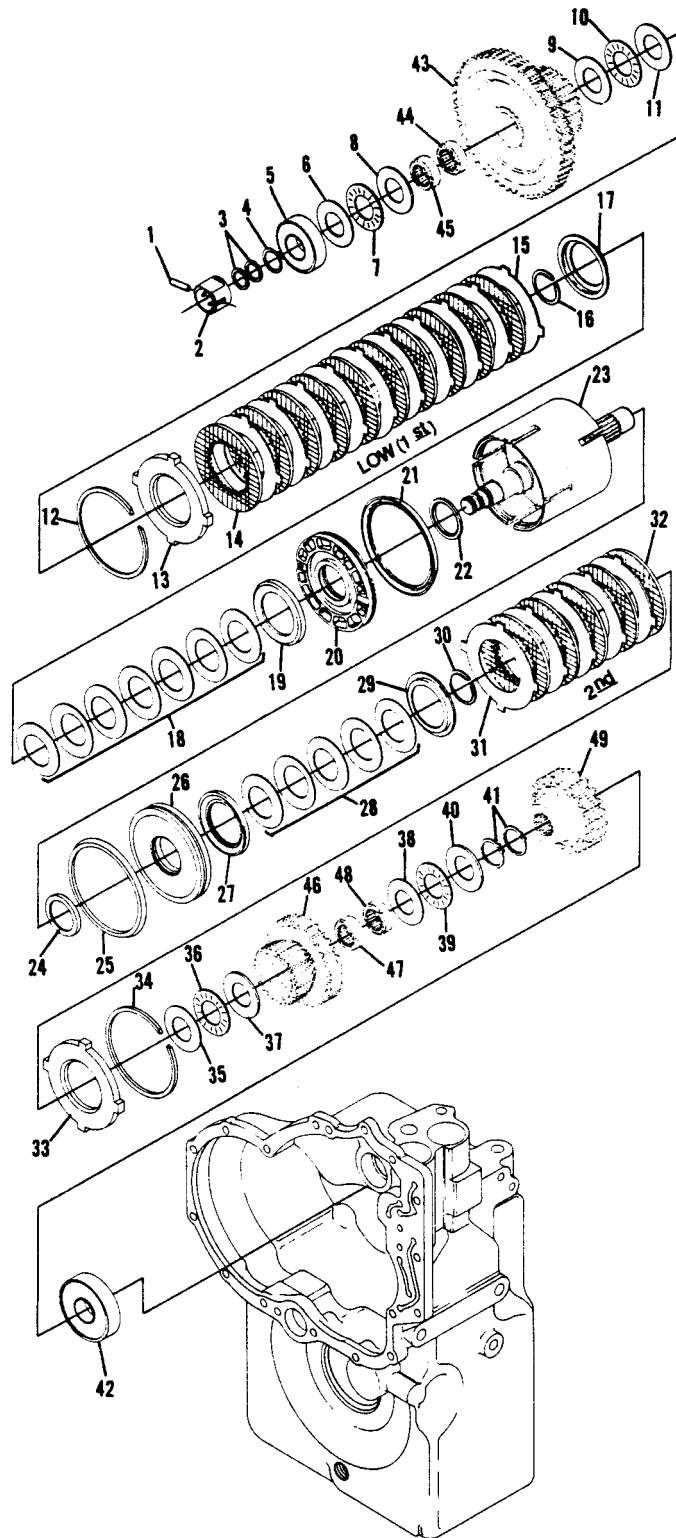
### 3rd & Output Shaft Group



***3rd & Output Shaft Group***

<b>Ref. No.</b>	<b>Part No.</b>	<b>Description</b>	<b>Qty. Req.</b>	<b>Ref. No.</b>	<b>Part No.</b>	<b>Description</b>	<b>Qty. Req.</b>
01	L98257	Sleeve Locating Screw . . . . .	1	17	L98237	End Plate Snap Ring . . . . .	1
02	L98258	Oil Distributor Sleeve . . . . .	1	18	L98235	Clutch Gear Thrust Washer . . . . .	1
03	L98250	Piston Ring . . . . .	2	19	L98236	Clutch Gear Thrust Washer Brg. . . . .	1
04	L98964	Bearing & Seal Asy. . . . .	1	20	L98235	Clutch Gear Thrust Washer . . . . .	1
05	L98260	Gear Hub Snap Ring . . . . .	1	21	L98271	Thrust Washer Ret. Snap Ring . . . . .	1
06	L98261	3rd Shaft, Drum, & Plug Asy. . . . .	1	22	L98263	3rd Clutch Gear Bearing. . . . .	1
07	L98247	Clutch Piston Inner Seal . . . . .	1	23	L99039	Rear Bearing . . . . .	1
08	L98246	Clutch Piston Outer Seal . . . . .	1	24	L98264	Rear Bearing Ret. Snap Ring . . . . .	1
09	L98262	Clutch Piston & Ball Seat Asy. . . . .	1	25	L98264	Output Shaft Brg. Snap Ring . . . . .	1
10	L98244	Clutch Piston Wear Plate . . . . .	1	26	L98282	Output Shaft Bearing . . . . .	1
11	L98243	Disc Spring Asy. . . . .	5	27	L98266	Output Shaft Brg. Ret. Snap Ring. . . . .	1
12	L98242	Snap Ring Retainer . . . . .	1	28	L98267	Plug - Capped End. . . . .	1
13	L98241	Retainer Snap Ring . . . . .	1	29	L98268	Oil Seal Sleeve "0" Ring. . . . .	1
14	L98240	Outer Disc - 3rd Clutch. . . . .	5	30	L98264	Output Shaft Brg. Snap Ring . . . . .	1
15	L98239	Inner disc - 3rd Clutch . . . . .	5	31	L98965	1st Drive Gear . . . . .	1
16	L98238	End Plate. . . . .	1	32	L98270	3rd Gear & Shaft . . . . .	1

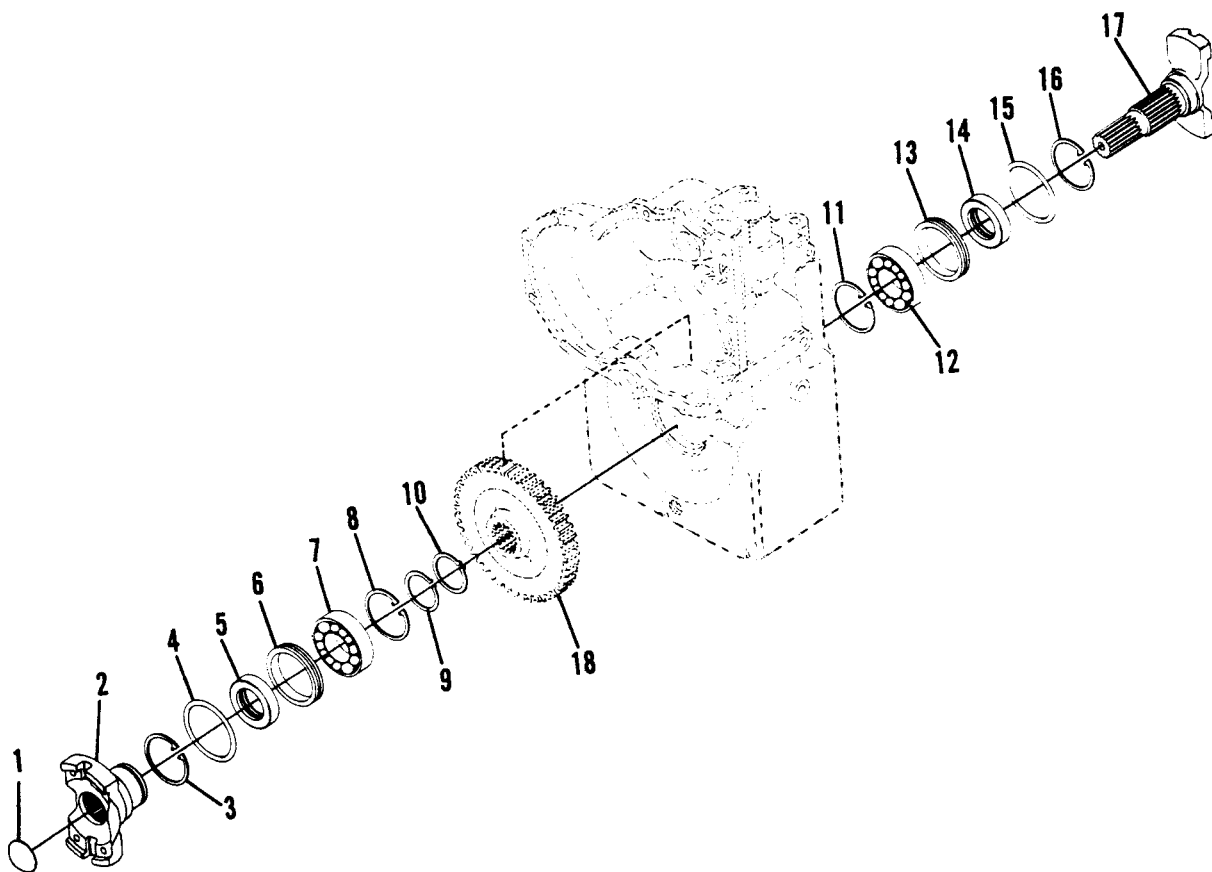
### 1st & 2nd Shaft Group



**1st & 2nd Shaft Group**

Ref. No.	Part No.	Description	Qty. Req.	Ref. No.	Part No.	Description	Qty. Req.
01	L98257	Sleeve Locating Screw . . . . .	1	27	L98244	Clutch Piston Wear Plate . . . . .	1
02	L98272	Oil Distributor Sleeve . . . . .	1	28	L98243	2nd Clutch Disc Spring Asy. . . . .	5
03	L98250	Piston Ring . . . . .	2	29	L98242	Snap Ring Retainer . . . . .	1
04		(Not Used)		30	L98241	Retainer Snap Ring . . . . .	1
05	L98964	Bearing & Seal Asy. . . . .	1	31	L98240	Outer Disc - 2nd Clutch . . . . .	5
06	L98235	Clutch Gear Thrust Washer . . . . .	1	32	L98239	Inner Disc - 2nd Clutch. . . . .	5
07	L98236	Clutch Gear Thrust Washer Brg. . . . .	1	33	L98238	End Plate . . . . .	1
08	L98235	Clutch Gear Thrust Washer . . . . .	1	34	L98237	End Plate Snap Ring . . . . .	1
09	L98235	Clutch Gear Thrust Washer . . . . .	1	35	L98235	Clutch Gear Thrust Washer . . . . .	1
10	L98236	Clutch Gear Thrust Washer Brg. . . . .	1	36	L98236	Clutch Gear Thrust Washer Brg. . . . .	1
11	L98235	Clutch Gear Thrust Washer . . . . .	1	37	L98235	Clutch Gear Thrust Washer . . . . .	1
12	L98237	End Plate Snap Ring . . . . .	1	38	L98235	Clutch Gear Thrust Washer . . . . .	1
13	L98238	End Plate . . . . .	1	39	L98236	Clutch Gear Thrust Washer Brg. . . . .	1
14	L98239	Inner Disc - 1st Clutch . . . . .	10	40	L98235	Clutch Gear Thrust Washer . . . . .	1
15	L98240	Outer Disc - 1st Clutch . . . . .	10	41	L98260	2nd Clutch Gear Hub Snap Ring . . . . .	2
16	L98241	Retainer Snap Ring . . . . .	1	42	L98275	Rear Bearing . . . . .	1
17	L98242	Snap Ring Retainer . . . . .	1	43	L98968	1st Clutch Gear & Brg. Asy. . . . .	1
18	L98243	1st Clutch Disc Spring Asy. . . . .	7			(Incl. Items 44,45)	
19	L98244	Clutch Piston Wear plate . . . . .	1	44	L98253	Bearing . . . . .	1
20	L99038	Clutch Piston . . . . .	1	45	L98253	Bearing . . . . .	1
21	L98246	Clutch Piston Seal - Outer . . . . .	1	46	L98276	2nd Clutch Gear & Brg. Assy. . . . .	1
22	L98247	Clutch Piston Seal - Inner. . . . .	1			(Incl. Items 47,48)	
23	L98274	1st & 2nd Shaft, Drum & Plug Asy. . . . .	1	47	L98253	Bearing . . . . .	1
24	L98247	Clutch Piston Seal - Inner. . . . .	1	48	L98253	Bearing . . . . .	1
25	L98246	Clutch Piston Seal - Outer . . . . .	1	49	L98277	3rd Driven Gear1 . . . . .	1
26	L99038	Clutch Piston . . . . .	1				

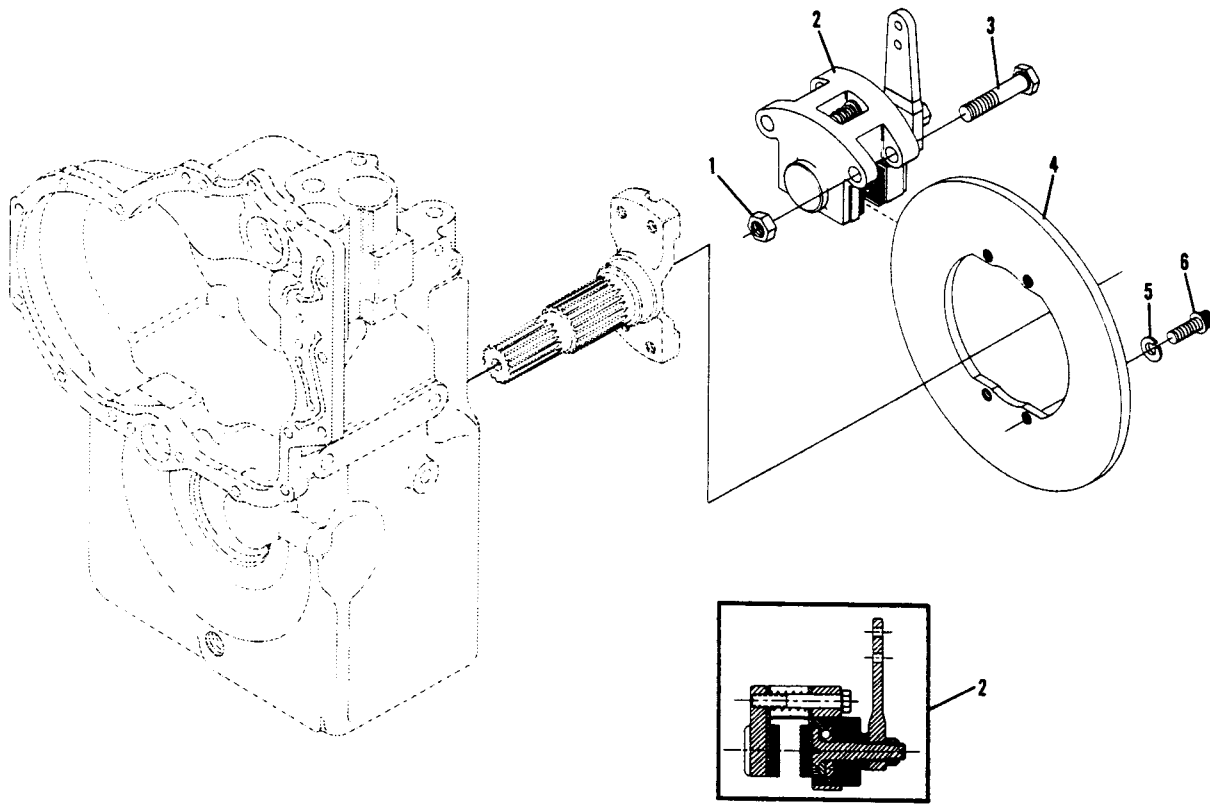
*Output Shaft Group*



***Output Shaft Group***

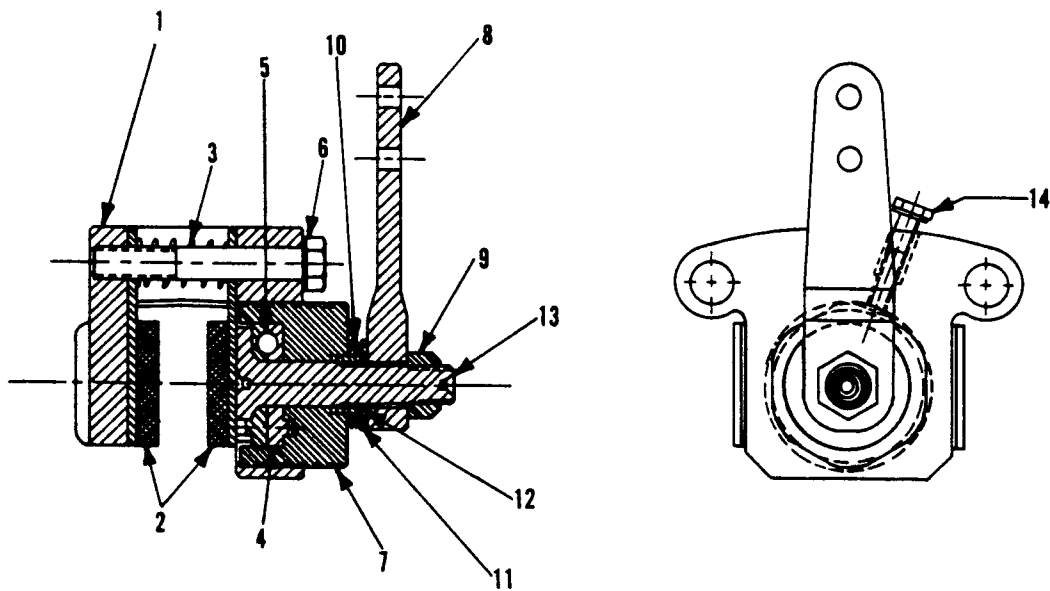
<b>Ref. No.</b>	<b>Part No.</b>	<b>Description</b>	<b>Qty. Req.</b>	<b>Ref. No.</b>	<b>Part No.</b>	<b>Description</b>	<b>Qty. Req.</b>
01	L98278	Flange Plug . . . . .	1	10	L98266	Gear Retaining Ring . . . . .	1
02	L98279	Output Flange & Plug Asy. . . . . (Inc. Item 1)	1	11	L98264	Output Shaft Brg. "O"Ring . . . . .	1
03	L98264	Output Shaft Brg. Snap Ring . . . . .	1	12	L98282	Output Shaft Bearing . . . . .	1
04	L98268	Oil Seal Sleeve "O"Ring . . . . .	1	13	L98281	Oil Seal Sleeve . . . . .	1
05	L96053	Output Shaft Oil Seal . . . . .	1	14	L96053	Output Shaft Oil Seal . . . . .	1
06	L98281	Oil Seal Sleeve . . . . .	1	15	L98268	Output Shaft Sleeve "O"Ring . . . . .	1
07	L98282	Output Shaft Bearing . . . . .	1	16	L98264	Output Shaft Brg. "O"Ring . . . . .	1
08	L98264	Output Shaft Brg. Snap Ring . . . . .	1	17	L98283	Output Shaft & Brake Flange (SC) . . . . .	1
09	L98266	Flange Retaining Ring . . . . .	1	18	L98284	Output Shaft Gear . . . . .	1

**Disc Brake Group**



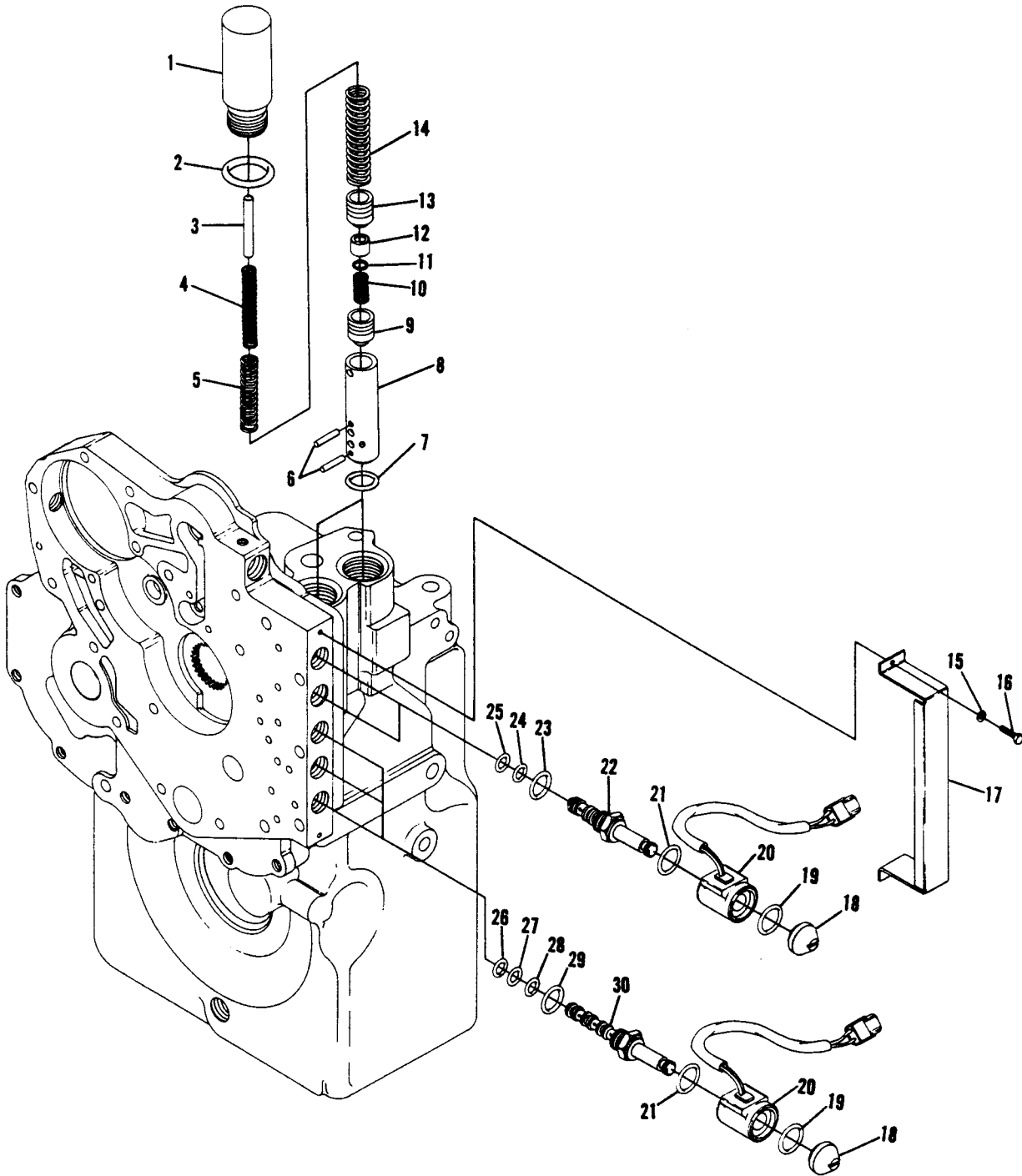
Ref. No.	Part No.	Description	Qty. Req.	Ref. No.	Part No.	Description	Qty. Req.
01	L99040	Caliper Asy. Capscrew Lock Nut . . .	2	04	L98287	Brake Disc . . . . .	1
02	L98970	Caliper Brake Asy. (See Parts List) .	1	05	L99042	Brake Disc Capscrew Lockwasher .	4
03	L99041	Caliper Assy. Mtg. Capscrew . . . . .	2	06	L99043	Brake Disc Capscrew . . . . .	4

**Brake Caliper Assembly**



Ref. No.	Part No.	Description	Qty. Req.	Ref. No.	Part No.	Description	Qty. Req.
01	NSS	Housing		11	NSS	Retainer	
02	L98288	Lining Kit . . . . .	1	12	NSS	Retainer Ring	
03	NSS	Spring		13	NSS	Piston	
04	NSS	Cam Plate		14	NSS	Capscrew	
05	NSS	Ball		15	L98290	Piston & Module Assy. Kit. . . . .	1
06	NSS	Capscrew				(Incl. Items 4,5,7 Thru 13)	
07	NSS	Body		16	L98285	Ball & Cam Repair Kit . . . . .	1
08	L98289	Lever . . . . .	1			(Incl. Items 4,5)	
09	NSS	Nut		17	L98970	Calpier Assy. . . . .	1
10	NSS	Belleville Spring				(Incl. Items 1 thru 14)	

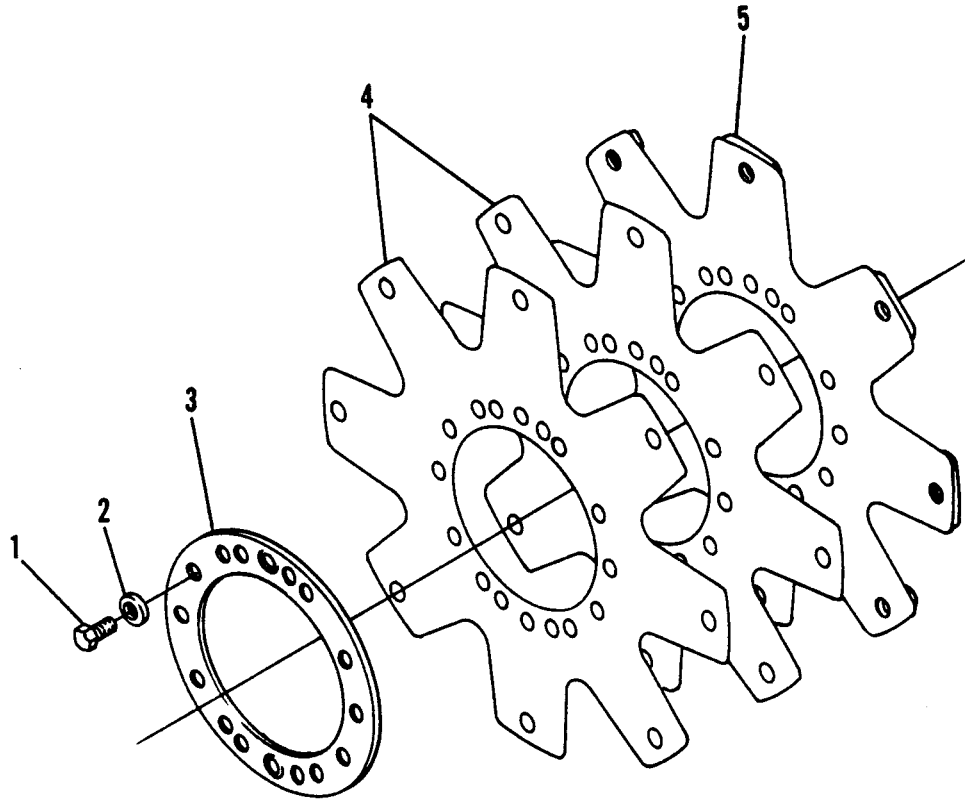
**Electric Control w/Modulation Group**



***Electric Control w/Modulation Group***

<b>Ref. No.</b>	<b>Part No.</b>	<b>Description</b>	<b>Qty. Req.</b>	<b>Ref. No.</b>	<b>Part No.</b>	<b>Description</b>	<b>Qty. Req.</b>
01	L98291	Modulator Valve Housing . . . . .	1	19	L98307	Nut to Coil "O,Ring. . . . .	4
02	L98292	Modulator Housing "0" Ring . . . . .	1	20	L98308	Solenoid Coil - 12 Volt . . . . .	4
03	L98293	Stop Pin . . . . .	1	21	L98307	Coil to Cartridge "O"Ring . . . . .	4
04	L98294	Spring - Inner . . . . .	1	22		<i>(Not Used - See Item 30)</i>	
05	L98295	Spring - Middle . . . . .	1	23		<i>(Not Used - See Item 29)</i>	
06	L98956	Upper Pin. . . . .	2	24		<i>(Not Used - See Item 28)</i>	
6A	L98957	Lower Pin. . . . .	2	25		<i>(Not Used - See Item 27)</i>	
07	L98297	Sleeve "O"Ring . . . . .	1	26	L98313	Cartridge "O"Ring. . . . .	3
08	L98298	Modulation Housing Sleeve . . . . .	1	27	L98312	Cartridge "O"Ring. . . . .	2
09	L98958	Regulator Spool . . . . .	1	28	L98311	Cartridge "O"Ring. . . . .	3
10	L98300	Spring . . . . .	1	29	L98310	Cartridge "O"Ring. . . . .	3
11	L98301	Spring Spacer. . . . .	1	30	L98314	Valve Cartridge, 4 Way. . . . .	2
12	L98302	Spring Retainer . . . . .	1			Used at 1st & 2nd - 3rd (Incl. Items 26-29)	
13	L98959	Accumulator Spool . . . . .	1	30A	L98315	Solenoid Bore Plug . . . . .	1
14	L98304	Spring - Outer . . . . .	1			Used at Fwd.-Hi & Low (Incl. (1) of Itmes 26,28,29)	
15	L99034	Cover Screw Lockwasher. . . . .	2	31	L98960	Spool Type Sol. Cartridge Asy (Incl. Item 18 thru 21[4 ea.] , 30) . . .	4
16	L99035	Cover Screw . . . . .	2				
17	L98305	Protective Cover. . . . .	1				
18	L99036	Valve Cartridge Retainer Nut . . . . .	4				

**Drive Plate Group**



Ref. No.	Part No.	Description	Qty. Req.	Ref. No.	Part No.	Description	Qty. Req.
01	L99033	Drive Plate Mounting Screw		04	NNS	Drive Plate - (Incl. In Item #5)	
02	L99030	Drive Plate Mounting Screw Lockwasher		05	L98317	Drive Plate Asy. Kit (Incl. Items 1 thru 4)	
03	L97516	Drive Plate Backing Ring					

***Numerical Index***

<b>Part No.</b>	<b>Page No.</b>	<b>Ref. No.</b>	<b>Part No.</b>	<b>Page No.</b>	<b>Ref. No.</b>	<b>Part No.</b>	<b>Page No.</b>	<b>Ref. No.</b>	<b>Part No.</b>	<b>Page No.</b>	<b>Ref. No.</b>
L94824	5-7	15	L98235	5-15	33	L98243	5-15	24	L98258	5-17	02
L96053	5-21	05	L98235	5-15	31	L98243	5-15	14	L98260	5-17	05
L96053	5-21	14	L98235	5-15	02	L98243	5-19	18	L98260	5-19	41
L97508	5-5	03	L98235	5-15	05	L98244	5-19	19	L98261	5-17	06
L97516	5-26	03	L98235	5-19	11	L98244	5-17	10	L98262	5-17	09
L98176	5-7	25	L98235	5-15	34	L98244	5-15	15	L98263	5-17	22
L98184	5-7	21	L98235	5-15	04	L98244	5-19	27	L98264	5-21	11
L98185	5-7	22	L98235	5-19	06	L98244	5-15	23	L98264	5-21	08
L98188	5-8	01	L98235	5-19	09	L98245	5-15	22	L98264	5-21	03
L98189	5-8	02	L98235	5-19	08	L98245	5-15	16	L98264	5-17	30
L98190	5-8	03	L98236	5-19	07	L98246	5-15	21	L98264	5-17	24
L98191	5-8	04	L98236	5-19	10	L98246	5-19	21	L98264	5-17	25
L98191	5-8	06	L98236	5-15	32	L98246	5-19	25	L98264	5-21	16
L98192	5-8	05	L98236	5-15	03	L98246	5-15	17	L98266	5-21	10
L98194	5-8	07	L98236	5-17	19	L98246	5-17	08	L98266	5-17	27
L98195	5-8	08	L98236	5-19	36	L98247	5-15	20	L98266	5-21	09
L98195	5-8	10	L98236	5-19	39	L98247	5-15	18	L98267	5-17	28
L98196	5-8	09	L98236	5-15	06	L98247	5-17	07	L98268	5-21	15
L98197	5-8	20	L98236	5-15	35	L98247	5-19	24	L98268	5-21	04
L98198	5-8	11	L98237	5-19	12	L98247	5-19	22	L98268	5-17	29
L98199	5-8	12	L98237	5-19	34	L98248	5-15	19	L98270	5-17	32
L98200	5-8	13	L98237	5-15	30	L98249	5-15	37	L98271	5-17	21
L98201	5-8	14	L98237	5-15	08	L98250	5-19	03	L98272	5-19	02
L98202	5-8	15	L98237	5-17	17	L98250	5-17	03	L98274	5-19	23
L98203	5-8	16	L98238	5-19	13	L98250	5-15	38	L98275	5-19	42
L98204	5-8	17	L98238	5-19	33	L98251	5-15	39	L98276	5-19	46
L98205	5-8	18	L98238	5-17	16	L98252	5-15	40	L98276	5-3	46
L98206	5-8	19	L98238	5-15	29	L98253	5-3	48	L98277	5-3	49
L98211	5-9	07	L98238	5-15	09	L98253	5-3	47	L98277	5-19	49
L98212	5-9	06	L98239	5-19	14	L98253	5-3	45	L98278	5-21	01
L98214	5-11	03	L98239	5-17	15	L98253	5-3	44	L98279	5-21	02
L98215	5-11	04	L98239	5-19	32	L98253	5-3	48	L98281	5-21	13
L98216	5-11	05	L98239	5-15	10	L98253	5-3	46	L98281	5-21	06
L98217	5-7	35	L98239	5-15	28	L98253	5-3	43	L98282	5-21	12
L98218	5-7	36	L98240	5-15	11	L98253	5-3	41	L98282	5-21	07
L98219	5-11	06	L98240	5-19	31	L98253	5-19	44	L98282	5-17	26
L98220	5-11	07	L98240	5-17	14	L98253	5-15	41	L98283	5-21	17
L98228	5-13	01	L98240	5-19	15	L98253	5-15	48	L98284	5-3	18
L98229	5-13	02	L98240	5-15	27	L98253	5-19	48	L98284	5-21	18
L98230	5-13	03	L98241	5-19	30	L98253	5-15	46	L98285	5-23	16
L98231	5-13	04	L98241	5-15	12	L98253	5-15	43	L98287	5-22	04
L98232	5-13	05	L98241	5-15	26	L98253	5-19	45	L98288	5-23	02
L98233	5-13	08	L98241	5-19	16	L98253	5-19	47	L98289	5-23	08
L98235	5-19	38	L98241	5-17	13	L98254	5-3	47	L98290	5-23	15
L98235	5-17	20	L98242	5-17	12	L98254	5-3	42	L98291	5-25	01
L98235	5-15	36	L98242	5-19	29	L98254	5-15	42	L98292	5-25	02
L98235	5-17	18	L98242	5-15	25	L98254	5-15	47	L98293	5-25	03
L98235	5-15	07	L98242	5-19	17	L98255	5-15	45	L98294	5-25	04
L98235	5-19	37	L98242	5-15	13	L98255	5-3	45	L98295	5-25	05
L98235	5-19	35	L98243	5-17	11	L98257	5-19	01	L98296	5-25	06
L98235	5-19	40	L98243	5-19	28	L98257	5-17	01	L98297	5-25	07

***Numerical Index***

<b>Part No.</b>	<b>Page No.</b>	<b>Ref. No.</b>	<b>Part No.</b>	<b>Page No.</b>	<b>Ref. No.</b>	<b>Part No.</b>	<b>Page No.</b>	<b>Ref. No.</b>
L98298	5-25	08	L98962	5-15	44	L99248	5-7	12
L98300	5-25	10	L98964	5-17	04	L99249	5-7	05
L98301	5-25	11	L98964	5-19	05	L99251	5-7	20
L98302	5-25	12	L98965	5-17	31	L99253	5-7	26
L98304	5-25	14	L98965	5-3	31	L99255	5-13	09
L98305	5-25	17	L98968	5-19	43	L99260	5-5	08
L98307	5-25	21	L98968	5-3	43	L99261	5-5	13
L98307	5-25	19	L98970	5-22	02	L99262	5-5	15
L98308	5-25	20	L98970	5-23	17	L99269	5-7	23
L98310	5-25	29	L99012	5-7	18	L99270	5-3	32
L98311	5-25	28	L99013	5-7	19	L99270	5-7	27
L98312	5-25	27	L99018	5-5	12	L99274	5-7	09
L98313	5-25	26	L99018	5-7	32			
L98314	5-25	30	L99018	5-7	38			
L98315	5-25	30A	L99020	5-11	11			
L98317	5-26	05	L99022	5-11	08			
L98734	5-7	40	L99023	5-11	09			
L98735	5-7	41	L99025	5-11	10			
L98924	5-7	02	L99027	5-11	12			
L98924	5-7	13	L99029	5-7	31			
L98925	5-7	03	L99029	5-7	33			
L98926	5-7	06	L99029	5-5	11			
L98927	5-7	28	L99029	5-7	39			
L98927	5-7	07	L99029	5-5	09			
L98928	5-7	08	L99029	5-5	14			
L98929	5-7	14	L99029	5-5	07			
L98930	5-7	14A	L99029	5-11	13			
L98931	5-7	29	L99030	5-26	02			
L98932	5-7	30	L99031	5-13	07			
L98935	5-7	37	L99032	5-13	06			
L98938	5-5	04	L99033	5-26	01			
L98939	5-5	05	L99034	5-25	15			
L98942	5-9	05	L99035	5-25	16			
L98942	5-9	01	L99036	5-25	18			
L98943	5-9	02	L99038	5-19	20			
L98944	5-9	03	L99038	5-19	26			
L98945	5-9	04	L99039	5-17	23			
L98947	5-9	08	L99040	5-22	01			
L98948	5-11	01	L99041	5-22	03			
L98949	5-11	02	L99042	5-22	05			
L98950	5-11	15	L99043	5-22	06			
L98951	5-11	16	L99045	5-7	34			
L98952	5-11	17	L99060	5-5	10			
L98953	5-11	18	L99184	5-11	14			
L98954	5-11	19	L99246	5-5	01			
L98955	5-3	09	L99246	5-5	02			
L98957	5-25	06A	L99246	5-5	06			
L98958	5-25	09	L99246	5-7	16			
L98959	5-25	13	L99246	5-7	04			
L98960	5-25	31	L99246	5-7	11			
L98962	5-3	44	L99248	5-7	01			



**GEHL® CONSTRUCTION**

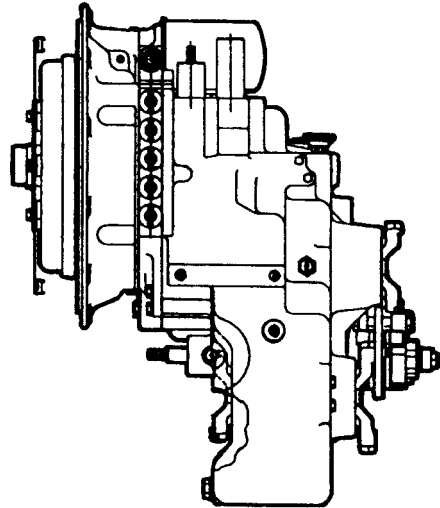
---

# **T12000**

## **Clark**

### **Transmission**

**Model No.**  
**1102-T12366-12**



# **SERVICE PARTS**



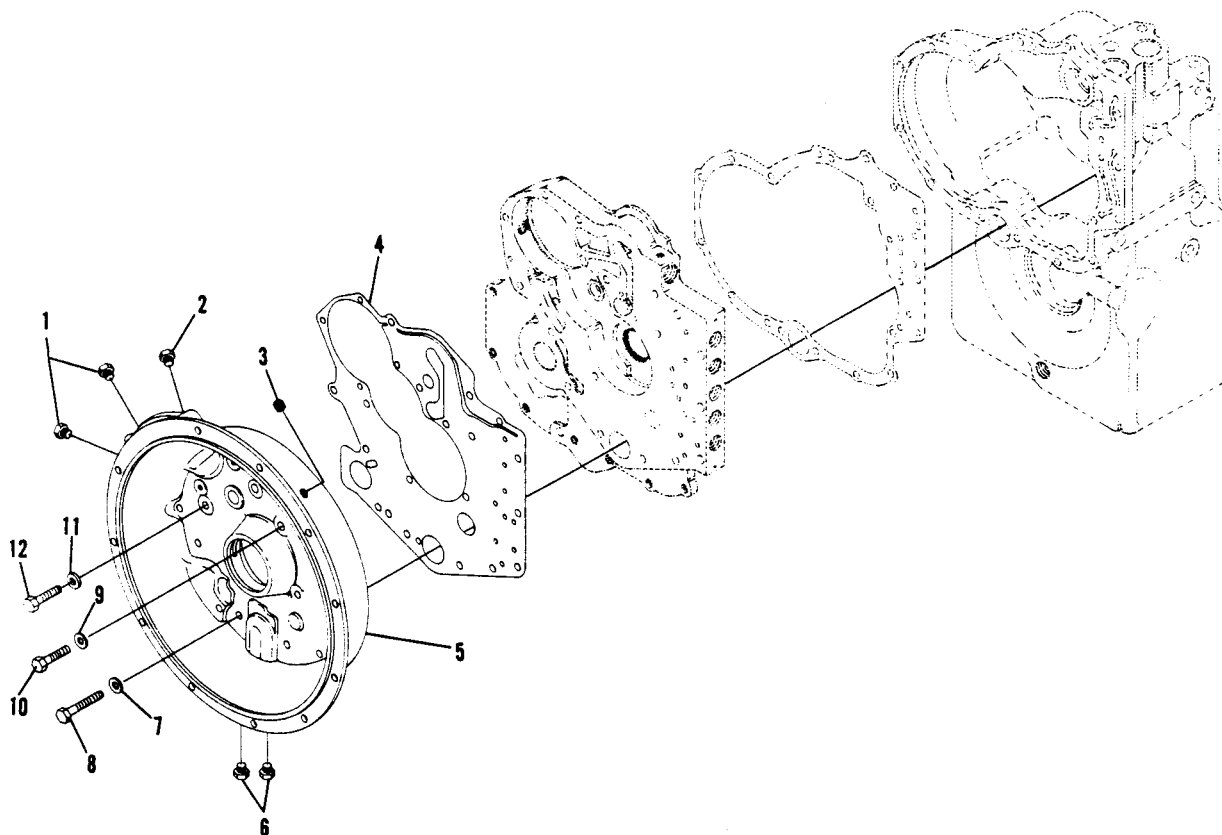
Section Contents . . . . . **6-1**  
4260051 - Special Parts Group . . . . . **6-3**  
4424031 - Converter Housing Group . . . . . **6-4**  
4224040 - Case and Plate Group . . . . . **6-6**  
267164 - Torque Converter Group . . . . . **6-8**  
267396 - Pump Drive Group . . . . . **6-9**  
4224064 - Charge Pump Group . . . . . **6-10**  
267079 - Reverse Idler Group . . . . . **6-12**  
267169 - Forward/Reverse Shaft Group . . . . . **6-14**  
267185 - 3rd and Output Shaft Group . . . . . **6-16**  
267082 - 1st and 2nd Shaft Group . . . . . **6-18**  
267083 - Output Shaft Group . . . . . **6-20**  
267270 - Disc Brake Group . . . . . **6-22**  
4201407 - Brake Caliper Assembly . . . . . **6-23**  
4224059 - Electric Control With Modulation Group . . . . . **6-24**  
267086 - Drive Plate Group . . . . . **6-26**  
Numerical Index . . . . . **6-27**

**This Page Intentionally Blank**

***Special Parts Group***

Ref. No.	Part No.	Description	Qty. Req.	Ref. No.	Part No.	Description	Qty. Req.
<b>PAGE 12/13</b>				<b>PAGE 18/19</b>			
09	L98955	REV. IDLER GEAR (26T) . . . . .	1	43	L98968	1ST CLUTCH GEAR & BRG. ASY (Incl. Items 44,45) . . . . .	1
<b>PAGE 14/15</b>				44	L98253	BEARING. . . . .	1
41	L98253	REV. CLUTCH GEAR BRG. . . . .	1	45	L98253	BEARING. . . . .	1
42	L98254	REV. CLUTCH GEAR SPACER . . .	1	46	L98276	2ND CLUTCH GEAR & BRG. ASY (Incl. Items 47,48)	1
43	L98253	REV. CLUTCH GEAR BRG. . . . .	1	47	L98253	BEARING. . . . .	1
44	L98962	REV. CLUTCH GEAR. . . . .	1	48	L98253	BEARING. . . . .	1
		& BRG. ASY. (Incl. Items 41-43)		49	L98277	3RD DRIVEN GEAR (18T) . . . . .	1
45	L98255	FWD. CLUTCH GEAR . . . . .	1	<b>PAGE 20/21</b>			
		& BRG. ASY. (Incl. Items 46-48)		18	L98284	OUTPUT SHAFT GEAR (40T) . . . . .	1
46	L98253	FWD. CLUTCH GEAR BRG. . . . .	1				
47	L98254	FWD. CLUTCH GEAR SPACER. . .	1				
48	L98253	FWD. CLUTCH GEAR BRG. . . . .	1				
<b>PAGE 16/17</b>							
31	L98965	1ST DRIVE GEAR (29T) . . . . .	1				
32	L99270	3RD GEAR & OUTPUT SHAFT (46T). . . . .	1				

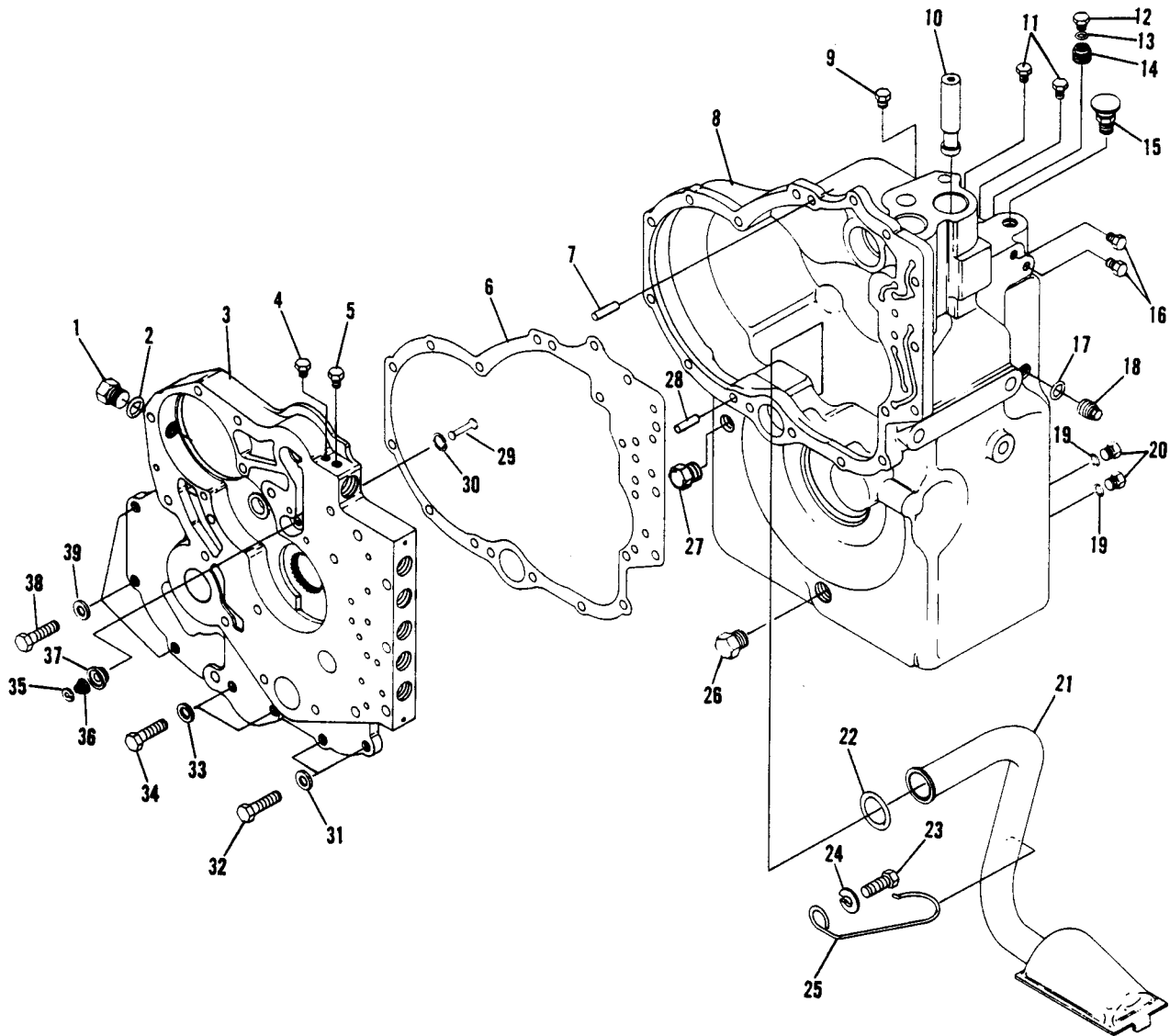
**Converter Housing Group**



***Converter Housing Group***

<b>Ref. No.</b>	<b>Part No.</b>	<b>Description</b>	<b>Qty. Req.</b>	<b>Ref. No.</b>	<b>Part No.</b>	<b>Description</b>	<b>Qty. Req.</b>
01	L99246	Plug (Hi & 3rd Port) . . . . .	2	09	L99029	Conv. Housing. to Plate	
02	L99246	Reg. Pressure Port Plug. . . . .	1			Screw Lockwasher . . . . .	1
03	L97508	Plug . . . . .	1	10	L99260	Conv. Hsg. to Plate Screw . . . . .	1
04	L98938	Housing to Plate Gasket. . . . .	1	11	L99029	Conv. Hsg. to Plate . . . . .	6
05	L98939	Converter Housing . . . . .	1			Screw Lockwasher	
06	L99246	Plug (1st & 2nd Port) . . . . .	2	12	L99018	Conv. Hsg. to Plate Screw . . . . .	6
07	L99029	Conv. Hsg. to Trans. Case		13	L99261	Conv. Hsg. to Plate Screw (N.I.) . . .	1
		Screw Lockwasher . . . . .	13	14	L99029	Conv. Hsg. to Plate	
08	L99260	Conv. Housing. to Trans.				Screw Lockwasher (N.I.) . . . . .	1
		Case Screw . . . . .	13	15	L99262	Check valve Bore Plug (N.I.) . . . . .	1

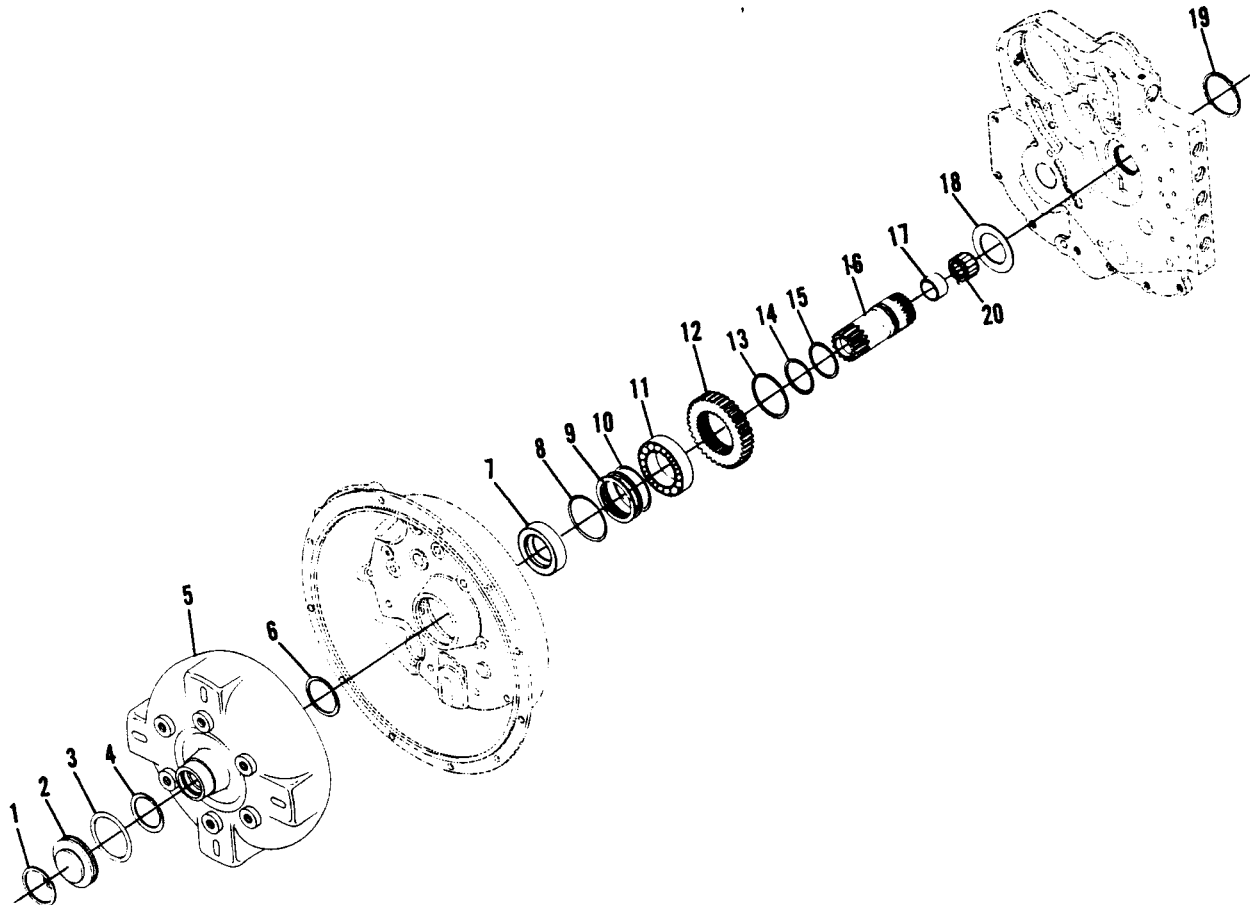
Case & Plate Group



**Case & Plate Group**

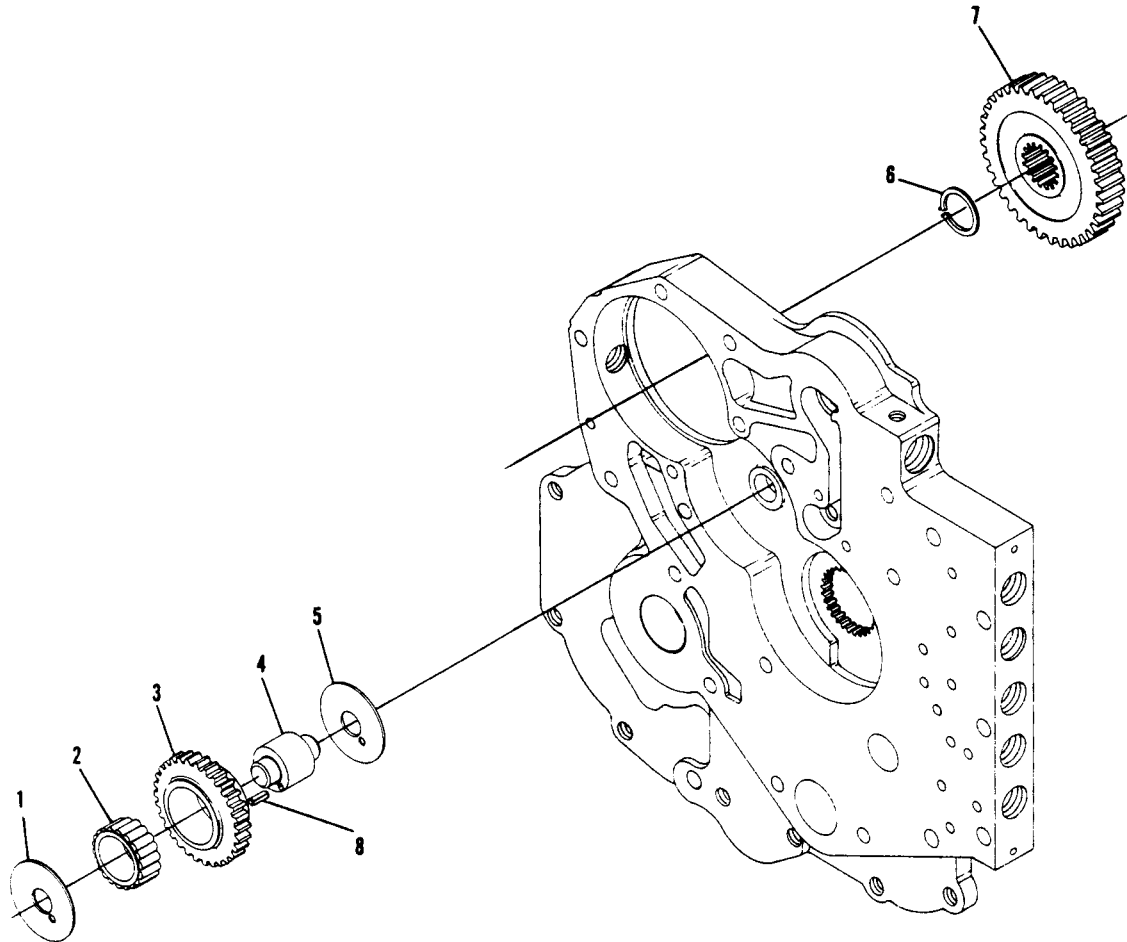
Ref. No.	Part No.	Description	Qty. Req.	Ref. No.	Part No.	Description	Qty. Req.
01	L99248	Sensor Port Plug . . . . .	1	23	L99269	Retainer Clip Screw . . . . .	1
02	L98924	Sensor Port Plug "O"Ring . . . . .	1	24		(Not Used)	
03	L98925	Spacer Plate . . . . .	1	25	L98176	Oil Supply Tube Retainer Clip . . . . .	1
04	L99246	Inlet Pressure Port Plug . . . . .	1	26	L99253	Magnetic Drain Plug . . . . .	1
05	L99249	Outlet Temperture Port Plug . . . . .	1	27	L99270	Drain Back Port Plug . . . . .	1
06	L98926	Plate to Transmission Case Gasket . . . . .	1	28	L98927	Plate to Transmission Case Dowel Pin . . . . .	1
07	L98927	Plate to Transmission Case Dowel Pin . . . . .	1	29	L98931	Converter Safety Valve Poppet . . . . .	1
08	L98928	Transmission Case . . . . .	1	30	L98932	Seat Snap Ring . . . . .	1
09	L99274	Filler Plug . . . . .	1	31	L99029	Plate to Transmission Case Screw Lockwasher . . . . .	2
10		(Not Used)		32	L99018	Plate to Transmission Case Screw . . . . .	2
11	L99246	Pipe Plug . . . . .	2	33	L99029	Plate to Transmission Case Screw Lockwasher . . . . .	2
12	L99248	Auto Shift Sensor Port Plug . . . . .	1	34	L99045	Plate to Transmission Case Screw . . . . .	3
13	L98924	Sensor Port Plug "O" Ring . . . . .	1	35	L98217	Poppet Washer . . . . .	1
14	L98929	Sensor Adjusting Bushing . . . . .	1	36	L98218	Safety Valve Spring . . . . .	1
14A	L98930	Sensor Adjust. Bushing Shim (N.I.) . . . . .	AR	37	L98935	Safety Valve Seat . . . . .	1
15	L94824	Air Breather . . . . .	1	38	L99018	Plate to Transm. Case Screw . . . . .	3
16	L99246	Pipe Plug . . . . .	2	39	L99029	Plate to Transsion Case Screw Lockwasher . . . . .	3
17		(Not Used)		40	L99265	Dipstick Port Plug (N.I.) . . . . .	1
18	L99012	Sensor Port Plug . . . . .	1				
19	L99013	Plug "O" Ring . . . . .	2				
20	L99251	Oil Level Plug . . . . .	2				
21	L98184	Tube & Screen Assembly . . . . .	1				
22	L98185	Oil Supply Tube Seal Ring . . . . .	1				

**Torque Converter Group**



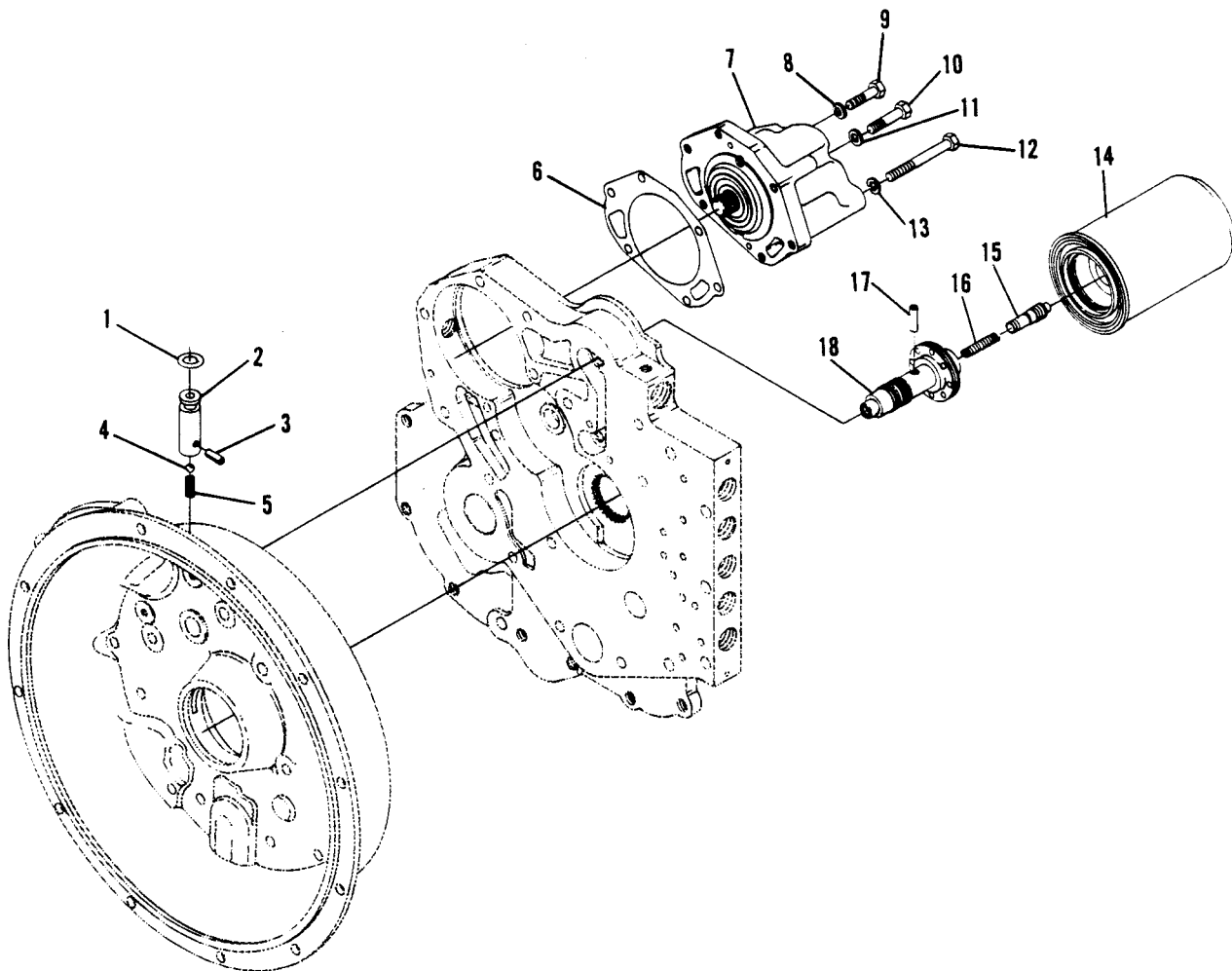
Ref. No.	Part No.	Description	Qty. Req.	Ref. No.	Part No.	Description	Qty. Req.
01	L98188	Plug Snap Ring . . . . .	1	12	L98199	Impeller Hub Gear (35T). . . . .	1
02	L98189	Torque Converter Plug . . . . .	1	13	L98200	Stator Support Snap Ring. . . . .	1
03	L99276	Torque Converter Plug "O" Ring . . .	1	14	L98201	Stator Support Piston Ring . . . . .	1
04	L98191	Impeller Hub Snap Ring . . . . .	1	15	L98202	Stator Support Piston . . . . .	1
05	L9925	Torque Converter Asy. . . . .	1			Ring Expander	
06	L98191	Impeller Hub Snap Ring . . . . .	1	16	L98203	Stator Support Asy . . . . .	1
07	L98194	Conv. Hsg. Oil Seal . . . . .	1			(Inc. Item 17 & 20)	
08	L98195	Oil Distributor Ring "O"Ring . . . . .	1	17	L98204	Bushing (Inc. in Item 16) . . . . .	1
09	L98196	Oil Distributor Ring . . . . .	1	18	L98205	Impeller Hub Gear Washer . . . . .	1
10	L98195	Oil Distributor Ring "O"Ring . . . . .	1	19	L98206	Stator Support Snap Ring. . . . .	1
11	L98198	Torque Conv. Bearing. . . . .	1	20	L98197	Bearing (Inc. In Item #16). . . . .	1

**Pump Drive Group**



Ref. No.	Part No.	Description	Qty. Req.	Ref. No.	Part No.	Description	Qty. Req.
01	L98942	Pump Drive Idler Thrust Washer . . .	1	05	L98942	Pump Drive Idler Thrust Washer . . .	1
02	L98943	Idler Gear Bearing . . . . .	1	06	L98212	Pump Drive Gear Ret Snap Ring . .	1
03	L98944	Pump Drive Idler Gear (31T) . . . . .	1	07	L98211	Pump Drive Gear (34T) . . . . .	1
04	L98945	Pump Drive Idler Shaft & Pin Asy. . .	1	08	L98947	Roll Pin (Incl. in Item #4) . . . . .	1
		(Incl. Item #8)					

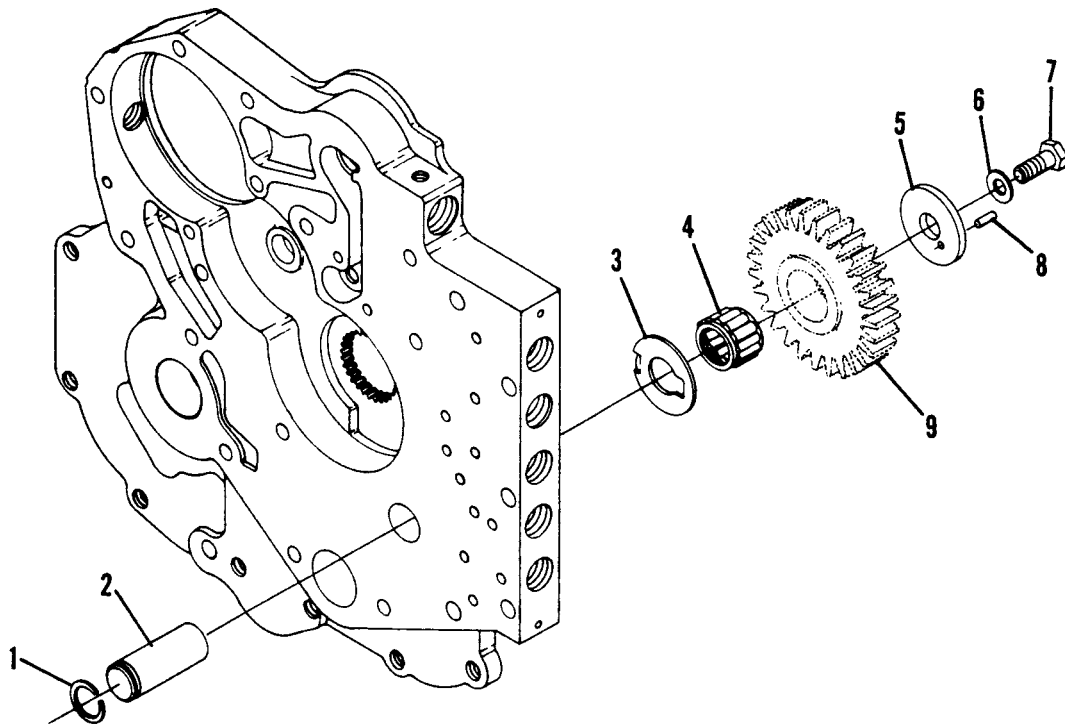
*Charge Pump w/Filter Group*



***Charge Pump w/Filter Group***

<b>Ref. No.</b>	<b>Part No.</b>	<b>Description</b>	<b>Qty. Req.</b>	<b>Ref. No.</b>	<b>Part No.</b>	<b>Description</b>	<b>Qty. Req.</b>
01	L98948	"O"Ring . . . . .	1	11	L99020	Pump Mtg. Screw Lockwasher . . . .	4
02	L98949	Ball Check Valve Asy. . . . .	1	12	L99277	Pump Mtg. Screw . . . . .	1
		(Inc. Items 1 thru 5)		13	L99029	Pump Mtg. Screw Lockwasher . . . .	1
03	L98214	Pin . . . . .	1	14	L99184	Filter Assembly. . . . .	1
04	L98215	Ball . . . . .	1	15	L98950	Piston . . . . .	1
05	L98216	Spring . . . . .	1	16	L98951	Spring . . . . .	1
06	L98219	Charging Pump Gasket . . . . .	1	17	L98952	Pin . . . . .	1
07	L98220	Charging Pump . . . . .	1	18	L98953	Sleeve . . . . .	1
08	L99020	Pump Mtg. Screw Lockwasher . . . .	1	19	L98954	Regulator Valve Asy. . . . .	1
09	L99023	Pump Mounting Scew . . . . .	1			(Inc. Items 15 thru 18)	
10	L99025	Pump Mounting Screw . . . . .	4				

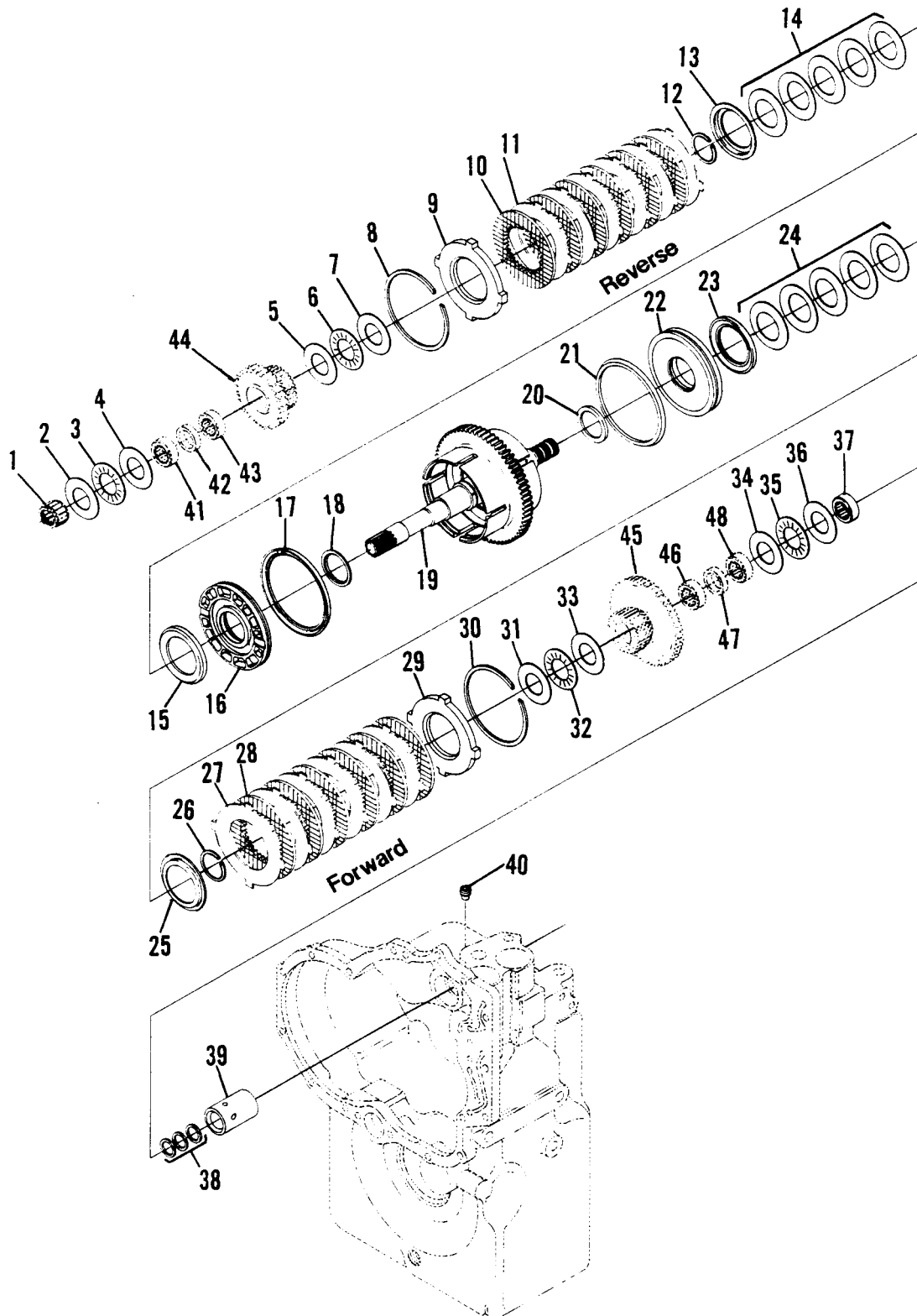
*Reverse Idler Group*



***Reverse Idler Group***

<b>Ref. No.</b>	<b>Part No.</b>	<b>Description</b>	<b>Qty. Req.</b>	<b>Ref. No.</b>	<b>Part No.</b>	<b>Description</b>	<b>Qty. Req.</b>
01	L98228	Idler Shaft Snap Ring . . . . .	1	06	L99032	End Plate Capscrew Washer . . . . .	1
02	L98229	Idler & Pilot Shaft . . . . .	1	07	L99031	Rev. Idler End Plate Capscrew . . . . .	1
03	L98230	Thrust Washer . . . . .	1	08	L98233	End Plate to Shaft Roll Pin . . . . .	1
04	L98231	Reverse Idler Gear Bearing . . . . .	1	09	L98955	Reverse Idler Gear . . . . .	1
05	L98232	End Plate . . . . .	1				

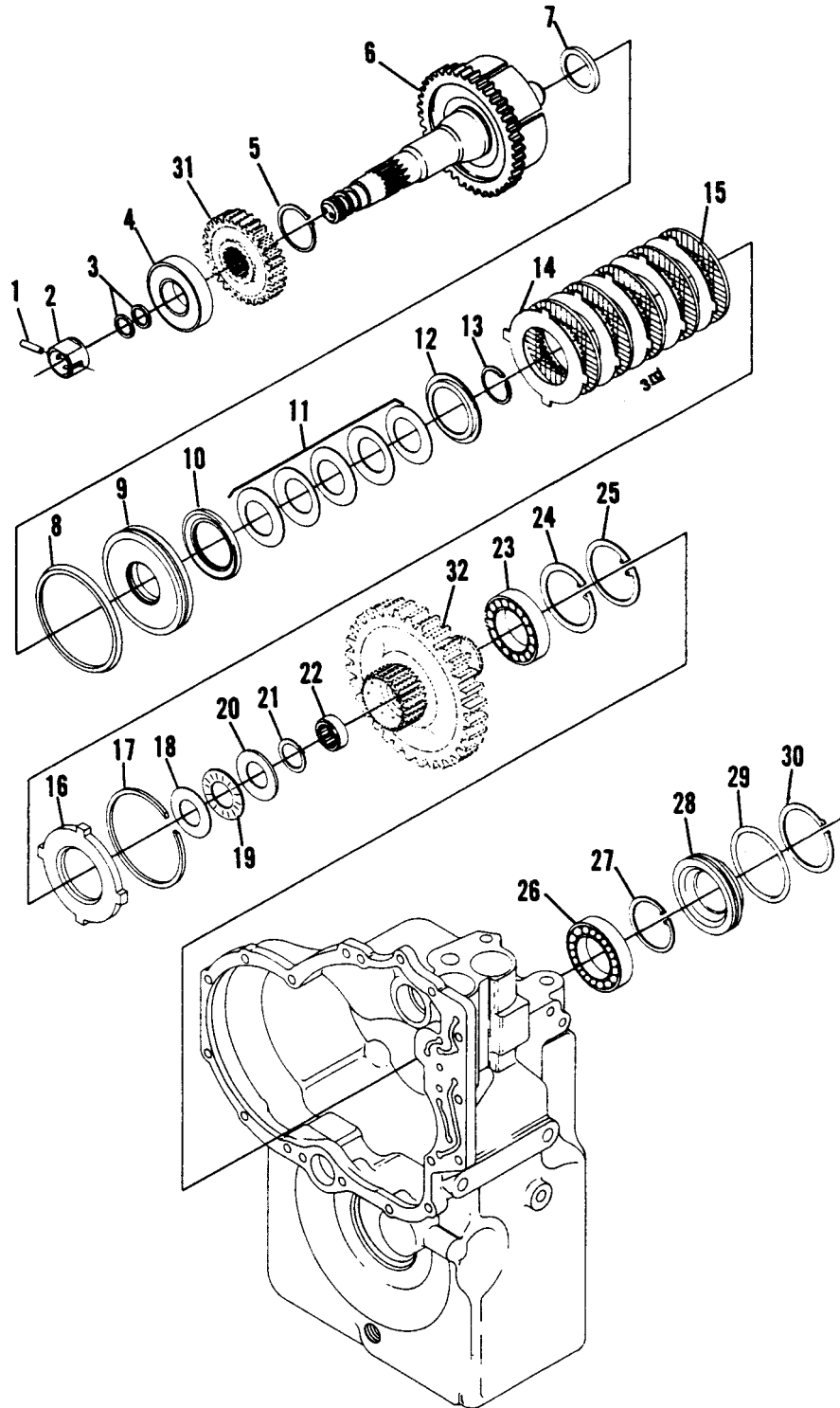
### Forward & Reverse Shaft Group



***Forward & Reverse Shaft Group***

Ref. No.	Part No.	Description	Qty. Req.	Ref. No.	Part No.	Description	Qty. Req.
01		Turbine Shaft Front Bearing <i>(See Converter Group)</i>		25	L98242	Snap Ring Retainer . . . . .	1
02	L98235	Clutch Gear Thrust Washer . . . . .	1	26	L98241	Retainer Snap Ring . . . . .	1
03	L98236	Clutch Gear Thrust Washer Brg. . . . .	1	27	L98240	Outer Disc - Forward Clutch . . . . .	6
04	L98235	Clutch Gear Thrust Washer . . . . .	1	28	L98239	Inner Disc - Forward Clutch . . . . .	6
05	L98235	Clutch Gear Thrust Washer . . . . .	1	29	L98238	End Plate . . . . .	1
06	L98236	Clutch Gear Thrust Washer Brg. . . . .	1	30	L98237	End Plate Snap Ring . . . . .	1
07	L98235	Clutch Gear Thrust Washer . . . . .	1	31	L98235	Clutch Gear Thrust Washer . . . . .	1
08	L98237	End Plate Snap Ring . . . . .	1	32	L98236	Clutch Gear Thrust Washer Brg. . . . .	1
09	L98238	End Plate . . . . .	1	33	L98235	Clutch Gear Thrust Washer . . . . .	1
10	L98239	Inner Disc-Reverse Clutch . . . . .	6	34	L98235	Clutch Gear Thrust Washer . . . . .	1
11	L98240	Outer Disc-Reverse Clutch . . . . .	6	35	L98236	Clutch Gear Thrust Washer Brg. . . . .	1
12	L98241	Retainer Snap Ring . . . . .	1	36	L98235	Clutch Gear Thrust Washer . . . . .	1
13	L98242	Snap Ring Retainer . . . . .	1	37	L98249	Thrbine Shaft Rear Bearing . . . . .	1
14	L98243	Disc Washer (Spring) Asy. . . . .	5	38	L98250	Piston Ring . . . . .	3
15	L98244	Clutch Piston Wear Plate . . . . .	1	39	L98251	Oil Distributor Sleeve . . . . .	1
16	L99278	Clutch Piston, Screen & Seals Asy. (Incl. Items 17,18) . . . . .	1	40	L98252	Retainer Screw . . . . .	1
17	L98246	Clutch Piston Seal - Outer . . . . .	1	41	L98253	Bearing . . . . .	1
18	L98247	Clutch Piston Seal - Inner. . . . .	1	42	L98254	Spacer . . . . .	1
19	L98248	Turbine Shaft Drum & Plug Asy. . . . .	1	43	L98253	Bearing . . . . .	1
20	L98247	Clutch Piston Seal - Inner. . . . .	1	44	L98962	Rev. Clutch Gear & Brg. Asy. . . . . (Incl. Items 41 thru 43)	1
21	L98246	Clutch Piston Seal - Outer . . . . .	1	45	L98255	Fwd. Clutch Gear & Brg. Asy. . . . . (Incl. Items 46 thru 48)	1
22	L99278	Clutch Piston, & Seals Asy. (Incl. Items 20,21) . . . . .	1	46	L98253	Bearing . . . . .	1
23	L98244	Clutch Piston Wear Plate . . . . .	1	47	L98254	Spacer - <i>See Special Parts Sect.</i> . . . . .	1
24	L98243	Disc Washer (Spring) Asy. . . . .	5	48	L98253	Bearing - <i>See Special Parts Sect.</i> . . . . .	1

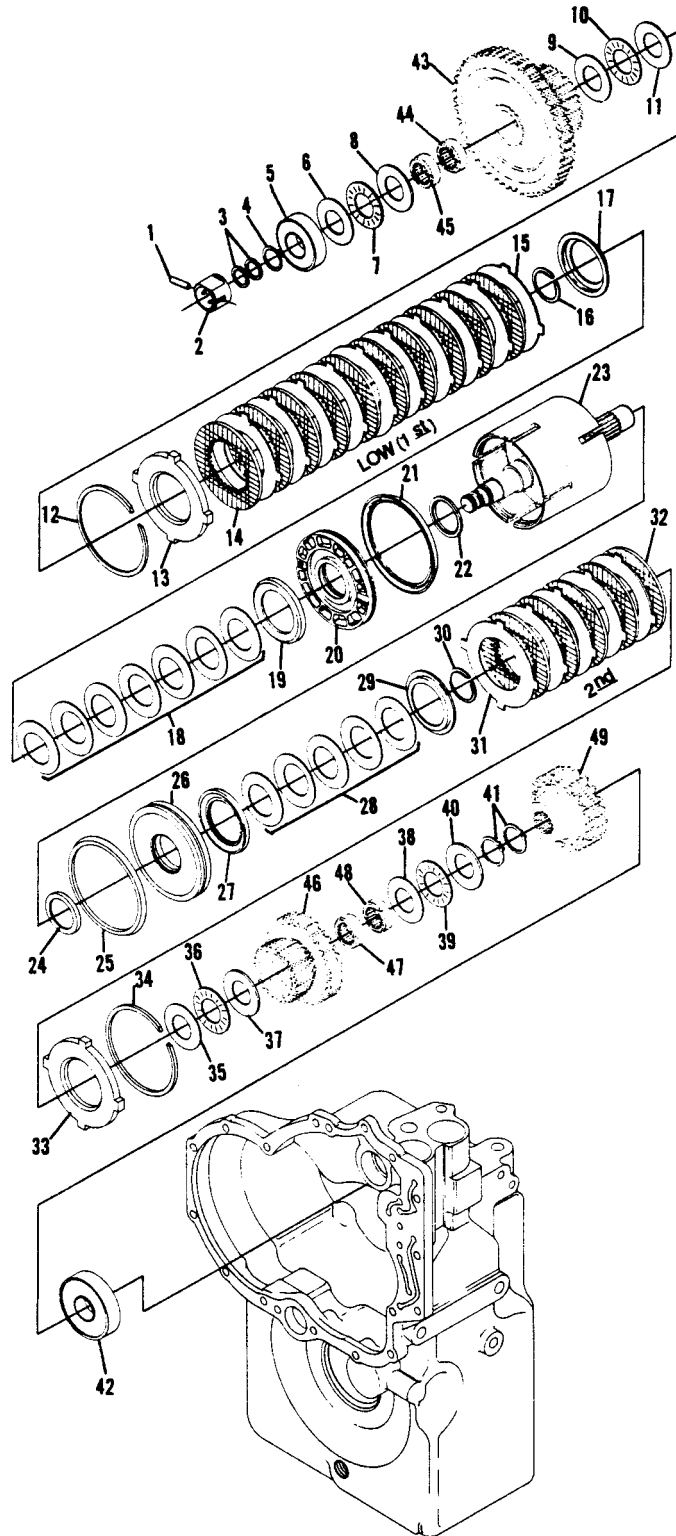
**3rd & Output Shaft Group**



***3rd & Output Shaft Group***

<b>Ref. No.</b>	<b>Part No.</b>	<b>Description</b>	<b>Qty. Req.</b>	<b>Ref. No.</b>	<b>Part No.</b>	<b>Description</b>	<b>Qty. Req.</b>
01	L98257	Sleeve Locating Screw . . . . .	1	16	L98238	End Plate . . . . .	1
02	L98258	Oil Distributor Sleeve . . . . .	1	17	L98237	End Plate Snap Ring . . . . .	1
03	L98250	Piston Ring . . . . .	2	18	L98235	Clutch Gear Thrust Washer . . . . .	1
04	L98964	Bearing & Seal Asy. . . . .	1	19	L98236	Clutch Gear Thrust Washer Brg. . . . .	1
05	L98260	Gear Hub Snap Ring . . . . .	1	20	L98235	Clutch Gear Thrust Washer . . . . .	1
06	L98261	3rd Shaft, Drum, & Plug Asy. . . . .	1	21	L98271	Thrust Washer Ret. Snap Ring . . . . .	1
07	L98247	Clutch Piston Inner Seal . . . . .	1	22	L98263	3rd Clutch Gear Bearing. . . . .	1
08	L98246	Clutch Piston Outer Seal . . . . .	1	23	L99039	Rear Bearing . . . . .	1
09	L98262	Clutch Piston, Ball Seat & . . . . .	1	24	L98264	Rear Bearing Ret. Snap Ring . . . . .	1
		Asy. (Incl. items 7,8) . . . . .	5	25	L98264	Output Shaft Brg. Snap Ring . . . . .	1
10	L98244	Clutch Piston Wear Plate . . . . .	1	26	L98282	Output Shaft Bearing . . . . .	1
11	L98243	Disc Washer (Spring) Asy. . . . .	5	27	L98266	Output Shaft Brg. Ret. Snap Ring. . . . .	1
12	L98242	Snap Ring Retainer . . . . .	1	28	L98267	Plug - Capped End. . . . .	1
13	L98241	Retainer Snap Ring . . . . .	1	29	L98268	Oil Seal Sleeve "O" Ring. . . . .	1
14	L98240	Outer Disc - 3rd Clutch. . . . .	5	30	L98264	Output Shaft Brg. Snap Ring . . . . .	1
15	L98239	Inner disc - 3rd Clutch . . . . .	5	31	L98965	1st Drive Gear . . . . .	1
				32	L98270	3rd Gear & Shaft . . . . .	1

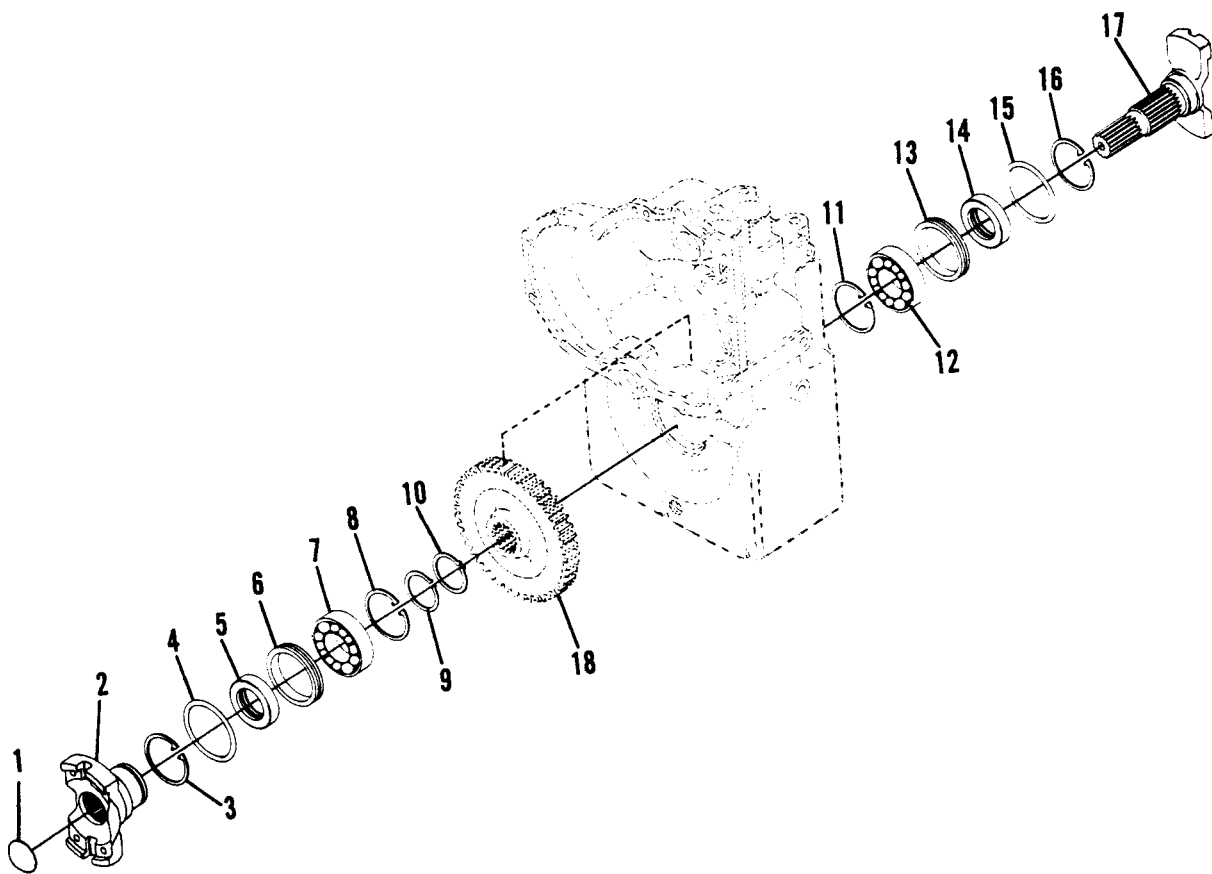
### 1st & 2nd Shaft Group



**1st & 2nd Shaft Group**

Ref. No.	Part No.	Description	Qty. Req.	Ref. No.	Part No.	Description	Qty. Req.
01	L98257	Sleeve Locating Screw . . . . .	1	27	L98244	Clutch Piston Wear Plate . . . . .	1
02	L98272	Oil Distributor Sleeve . . . . .	1	28	L98243	2nd Clutch Disc Spring Asy. . . . .	5
03	L98250	Piston Ring . . . . .	2	29	L98242	Snap Ring Retainer . . . . .	1
04		(Not Used)		30	L98241	Retainer Snap Ring . . . . .	1
05	L98964	Bearing & Seal Asy. . . . .	1	31	L98240	Outer Disc - 2nd Clutch . . . . .	5
06	L98235	Clutch Gear Thrust Washer . . . . .	1	32	L98239	Inner Disc - 2nd Clutch. . . . .	5
07	L98236	Clutch Gear Thrust Washer Brg. . . . .	1	33	L98238	End Plate . . . . .	1
08	L98235	Clutch Gear Thrust Washer . . . . .	1	34	L98237	End Plate Snap Ring . . . . .	1
09	L98235	Clutch Gear Thrust Washer . . . . .	1	35	L98235	Clutch Gear Thrust Washer . . . . .	1
10	L98236	Clutch Gear Thrust Washer Brg. . . . .	1	36	L98236	Clutch Gear Thrust Washer Brg. . . . .	1
11	L98235	Clutch Gear Thrust Washer . . . . .	1	37	L98235	Clutch Gear Thrust Washer . . . . .	1
12	L98237	End Plate Snap Ring . . . . .	1	38	L98235	Clutch Gear Thrust Washer . . . . .	1
13	L98238	End Plate . . . . .	1	39	L98236	Clutch Gear Thrust Washer Brg. . . . .	1
14	L98239	Inner Disc - 1st Clutch . . . . .	10	40	L98235	Clutch Gear Thrust Washer . . . . .	1
15	L98240	Outer Disc - 1st Clutch . . . . .	10	41	L98260	2nd Clutch Gear Hub Snap Ring . . . . .	2
16	L98241	Retainer Snap Ring . . . . .	1	42	L98275	Rear Bearing . . . . .	1
17	L98242	Snap Ring Retainer . . . . .	1	43	L98968	1st Clutch Gear & Brg. Asy. . . . .	1
18	L98243	1st Clutch Disc Spring Asy. . . . .	7			(Incl. Items 44,45)	
19	L98244	Clutch Piston Wear plate . . . . .	1	44	L98253	Bearing . . . . .	1
20	L99281	Clutch Piston & Seals Asy. (Incl. Items 21,22) . . . . .	1	45	L98253	Bearing . . . . .	1
21	L98246	Clutch Piston Seal - Outer . . . . .	1	46	L98276	2nd Clutch Gear & Brg. Assy. . . . .	1
22	L98247	Clutch Piston Seal - Inner. . . . .	1			(Incl. Items 47,48)	
23	L98274	1st & 2nd Shaft, Drum & Plug Asy. . . . .	1	47	L98253	Bearing . . . . .	1
24	L98247	Clutch Piston Seal - Inner. . . . .	1	48	L98253	Bearing . . . . .	1
25	L98246	Clutch Piston Seal - Outer . . . . .	1	49	L98277	3rd Driven Gear1 . . . . .	1
26	L99281	Clutch Piston & Seals Asy. (Incl. Items 24,25)				(See Special Parts Group)	

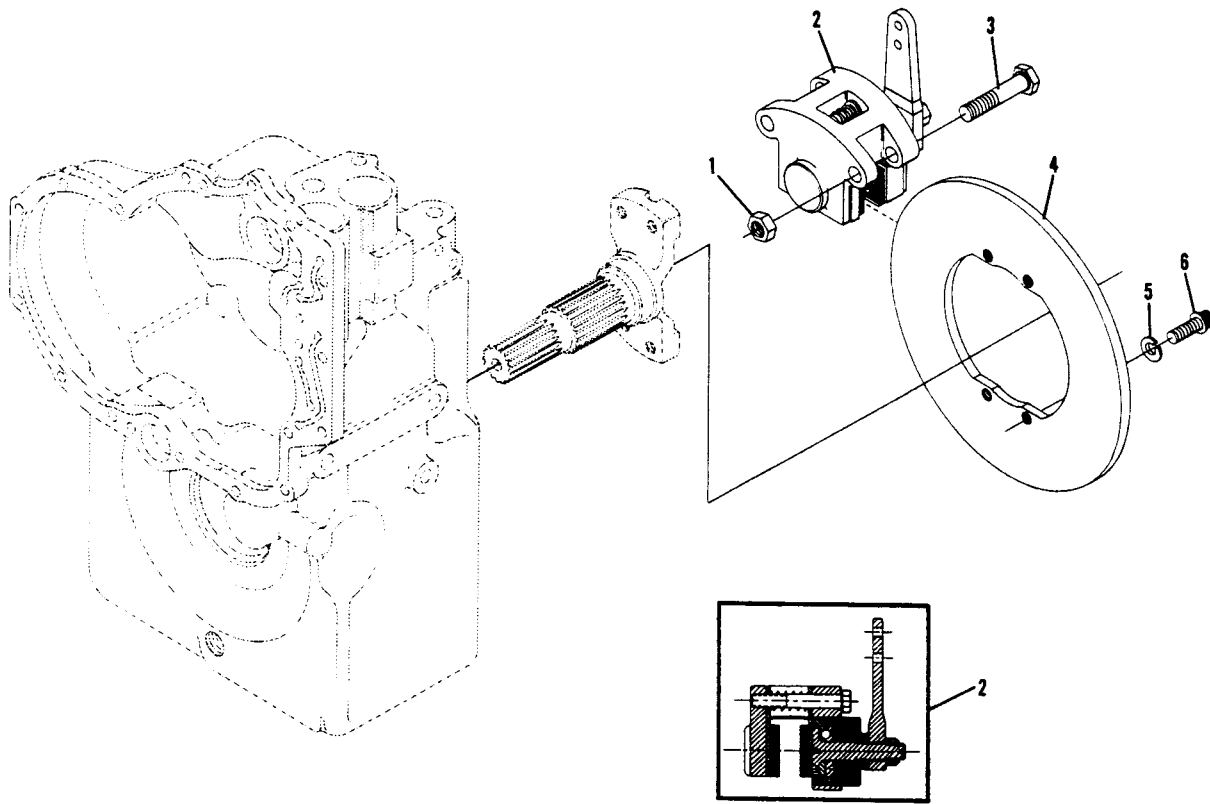
*Output Shaft Group*



***Output Shaft Group***

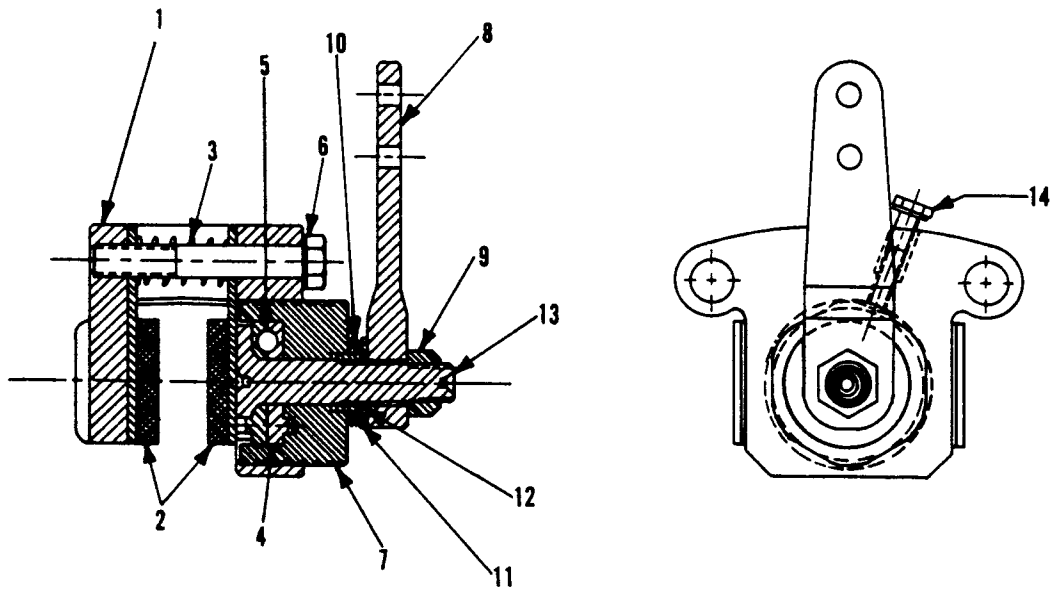
<b>Ref. No.</b>	<b>Part No.</b>	<b>Description</b>	<b>Qty. Req.</b>	<b>Ref. No.</b>	<b>Part No.</b>	<b>Description</b>	<b>Qty. Req.</b>
01	L98278	Flange Plug . . . . .	1	10	L98266	Gear Retaining Ring . . . . .	1
02	L98279	Output Flange & Plug Asy. . . . . (Inc. Item 1)	1	11	L98264	Output Shaft Brg. "O"Ring . . . . .	1
03	L98264	Output Shaft Brg. Snap Ring . . . . .	1	12	L98282	Output Shaft Bearing . . . . .	1
04	L98268	Oil Seal Sleeve "O"Ring . . . . .	1	13	L98281	Oil Seal Sleeve . . . . .	1
05	L96053	Output Shaft Oil Seal . . . . .	1	14	L96053	Output Shaft Oil Seal . . . . .	1
06	L98281	Oil Seal Sleeve . . . . .	1	15	L98268	Output Shaft Sleeve "O"Ring . . . . .	1
07	L98282	Output Shaft Bearing . . . . .	1	16	L98264	Output Shaft Brg. "O"Ring . . . . .	1
08	L98264	Output Shaft Brg. Snap Ring . . . . .	1	17	L98283	Output Shaft & Brake Flange (SC) . . . . .	1
09	L98266	Flange Retaining Ring . . . . .	1	18	L98284	Output Shaft Gear . . . . .	1

**Disc Brake Group**



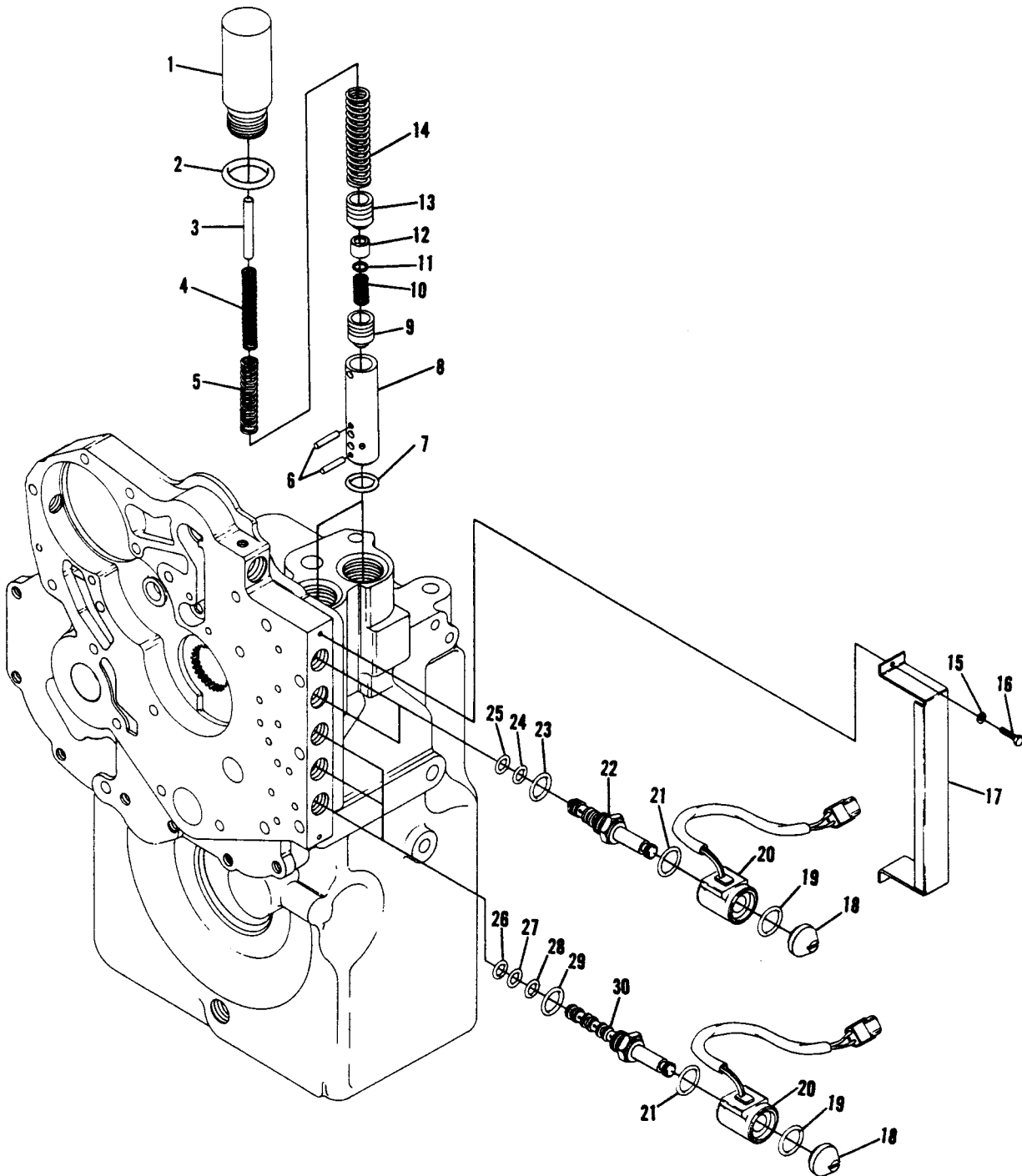
Ref. No.	Part No.	Description	Qty. Req.	Ref. No.	Part No.	Description	Qty. Req.
01	L99040	Caliper Asy. Capscrew Lock Nut . . .	2	04	L98287	Brake Disc . . . . .	1
02	L98970	Caliper Brake Asy. (See Parts List) .	1	05	L99282	Brake Disc Capscrew Lockwasher .	4
03	L99041	Caliper Assy. Mtg. Capscrew . . . . .	2	06	L99043	Brake Disc Capscrew . . . . .	4

**Brake Caliper Assembly**



Ref. No.	Part No.	Description	Qty. Req.	Ref. No.	Part No.	Description	Qty. Req.
01	NSS	Housing		11	NSS	Retainer	
02	L98288	Lining Kit . . . . .	1	12	NSS	Retainer Ring	
03	NSS	Spring		13	NSS	Piston	
04	NSS	Cam Plate		14	NSS	Cap screw	
05	NSS	Ball		15	L98290	Piston & Module Assy. Kit. . . . .	1
06	NSS	Cap screw				(Incl. Items 4,5,7 Thru 13)	
07	NSS	Body		16	L98285	Ball & Cam Repair Kit . . . . .	1
08	L98289	Lever . . . . .	1			(Incl. Items 4,5)	
09	NSS	Nut		17	L98970	Calpier Assy. . . . .	1
10	NSS	Belleville Spring				(Incl. Items 1 thru 14)	

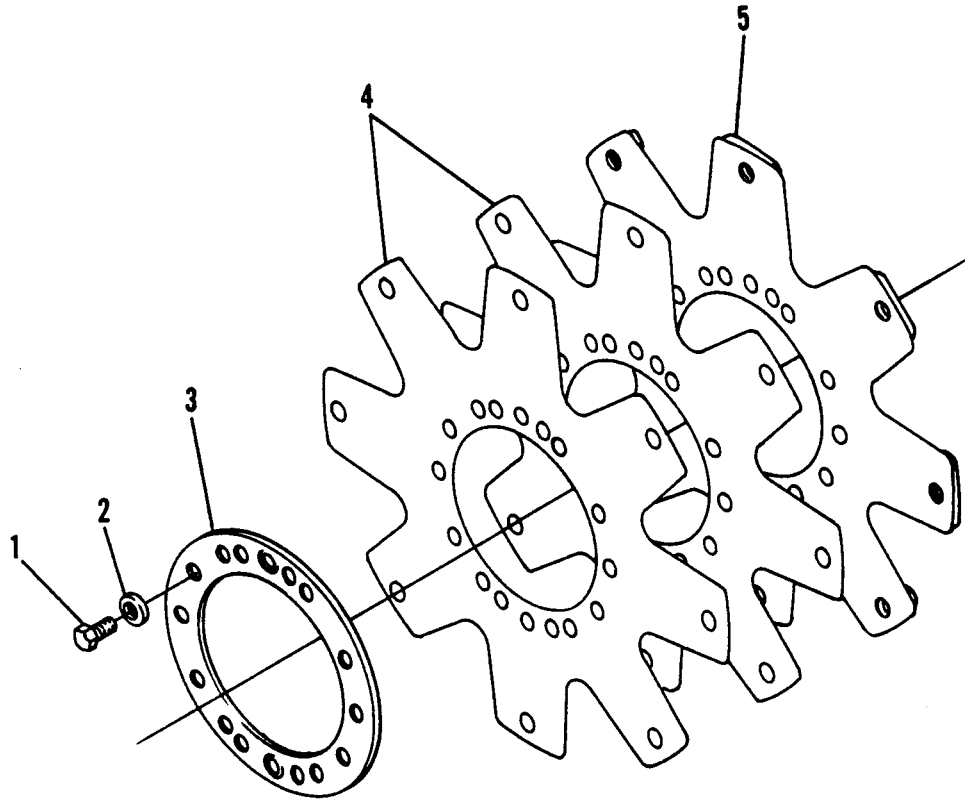
**Electric Control w/Modulation Group**



***Electric Control w/Modulation Group***

<b>Ref. No.</b>	<b>Part No.</b>	<b>Description</b>	<b>Qty. Req.</b>	<b>Ref. No.</b>	<b>Part No.</b>	<b>Description</b>	<b>Qty. Req.</b>
01	L98291	Modulator Valve Housing . . . . .	1	19	L98307	Nut to Coil "O,Ring. . . . .	4
02	L98292	Modulator Housing "0" Ring . . . . .	1	20	L98308	Solenoid Coil - 12 Volt . . . . .	4
03	L98293	Stop Pin . . . . .	1	21	L98307	Coil to Cartridge "O"Ring . . . . .	4
04	L98294	Spring - Inner . . . . .	1	22		<i>(Not Used - See Item 30)</i>	
05	L98295	Spring - Middle . . . . .	1	23		<i>(Not Used - See Item 29)</i>	
06	L98956	Upper Pin. . . . .	2	24		<i>(Not Used - See Item 28)</i>	
6A	L98957	Lower Pin. . . . .	2	25		<i>(Not Used - See Item 27)</i>	
07	L98297	Sleeve "O"Ring . . . . .	1	26	L98313	Cartridge "O"Ring. . . . .	3
08	L98298	Modulation Housing Sleeve . . . . .	1	27	L98312	Cartridge "O"Ring. . . . .	2
09	L98958	Regulator Spool . . . . .	1	28	L98311	Cartridge "O"Ring. . . . .	3
10	L98300	Spring . . . . .	1	29	L98310	Cartridge "O"Ring. . . . .	3
11	L98301	Spring Spacer. . . . .	1	30	L98314	Valve Cartridge, 4 Way. . . . .	2
12	L98302	Spring Retainer . . . . .	1			Used at 1st & 2nd - 3rd (Incl. Items 26-29)	
13	L98959	Accumulator Spool . . . . .	1	30A	L98315	Solenoid Bore Plug . . . . .	1
14	L98304	Spring - Outer . . . . .	1			Used at Fwd.-Hi & Low (Incl. (1) of Itmes 26,28,29)	
15	L99034	Cover Screw Lockwasher. . . . .	2	31	L98960	Spool Type Sol. Cartridge Asy (Incl. Item 18 thru 21[4 ea.] , 30) . . .	4
16	L99035	Cover Screw . . . . .	2				
17	L98305	Protective Cover. . . . .	1				
18	L99036	Valve Cartridge Retainer Nut . . . . .	4				

**Drive Plate Group**



Ref. No.	Part No.	Description	Qty. Req.	Ref. No.	Part No.	Description	Qty. Req.
01	L99033	Drive Plate Mounting Screw		04	NNS	Drive Plate - (Incl. In Item #5)	
02	L99030	Drive Plate Mounting Screw Lockwasher		05	L98317	Drive Plate Asy. Kit (Incl. Items 1 thru 4)	
03	L97516	Drive Plate Backing Ring					

***Numerical Index***

<b>Part No.</b>	<b>Page No.</b>	<b>Ref. No.</b>	<b>Part No.</b>	<b>Page No.</b>	<b>Ref. No.</b>	<b>Part No.</b>	<b>Page No.</b>	<b>Ref. No.</b>	<b>Part No.</b>	<b>Page No.</b>	<b>Ref. No.</b>
L94824	6-7	15	L98235	6-15	04	L98243	6-17	11	L98263	6-17	22
L96053	6-21	05	L98235	6-15	02	L98244	6-15	15	L98264	6-21	08
L96053	6-21	14	L98235	6-19	40	L98244	6-15	23	L98264	6-21	16
L97508	6-5	03	L98235	6-19	38	L98244	6-17	10	L98264	6-21	03
L97516	6-26	03	L98235	6-19	06	L98244	6-19	19	L98264	6-17	30
L98176	6-7	25	L98235	6-19	08	L98244	6-19	27	L98264	6-17	25
L98184	6-7	21	L98235	6-19	09	L98246	6-19	21	L98264	6-17	24
L98185	6-7	22	L98235	6-19	11	L98246	6-19	25	L98264	6-21	11
L98188	6-8	01	L98236	6-17	19	L98246	6-15	17	L98266	6-21	10
L98189	6-8	02	L98236	6-19	36	L98246	6-15	21	L98266	6-21	09
L98191	6-8	04	L98236	6-15	03	L98246	6-17	08	L98266	6-17	27
L98191	6-8	06	L98236	6-15	35	L98247	6-19	22	L98268	6-17	29
L98194	6-8	07	L98236	6-15	06	L98247	6-17	07	L98268	6-21	04
L98195	6-8	08	L98236	6-19	39	L98247	6-19	24	L98268	6-21	15
L98195	6-8	10	L98236	6-19	07	L98247	6-15	18	L98270	6-17	32
L98196	6-8	09	L98236	6-15	32	L98247	6-15	20	L98271	6-17	21
L98197	6-8	20	L98236	6-19	10	L98248	6-15	19	L98272	6-19	02
L98198	6-8	11	L98237	6-17	17	L98249	6-15	37	L98274	6-19	23
L98199	6-8	12	L98237	6-19	12	L98250	6-19	03	L98275	6-19	42
L98200	6-8	13	L98237	6-15	30	L98250	6-15	38	L98276	6-19	46
L98201	6-8	14	L98237	6-19	34	L98250	6-17	03	L98276	6-3	46
L98202	6-8	15	L98237	6-15	08	L98251	6-15	39	L98277	6-3	49
L98203	6-8	16	L98238	6-15	09	L98252	6-15	40	L98277	6-19	49
L98204	6-8	17	L98238	6-17	16	L98253	6-15	41	L98278	6-21	01
L98205	6-8	18	L98238	6-15	29	L98253	6-3	41	L98279	6-21	02
L98206	6-8	19	L98238	6-19	33	L98253	6-19	48	L98281	6-21	06
L98211	6-9	07	L98238	6-19	13	L98253	6-3	43	L98281	6-21	13
L98212	6-9	06	L98239	6-15	10	L98253	6-15	43	L98282	6-21	12
L98214	6-11	03	L98239	6-15	28	L98253	6-19	45	L98282	6-17	26
L98215	6-11	04	L98239	6-19	14	L98253	6-3	48	L98282	6-21	07
L98216	6-11	05	L98239	6-19	32	L98253	6-3	46	L98283	6-21	17
L98217	6-7	35	L98239	6-17	15	L98253	6-3	47	L98284	6-21	18
L98218	6-7	36	L98240	6-19	15	L98253	6-19	44	L98284	6-3	18
L98219	6-11	06	L98240	6-15	27	L98253	6-3	48	L98285	6-23	16
L98220	6-11	07	L98240	6-15	11	L98253	6-15	46	L98287	6-22	04
L98228	6-13	01	L98240	6-19	31	L98253	6-3	44	L98288	6-23	02
L98229	6-13	02	L98240	6-17	14	L98253	6-3	45	L98289	6-23	08
L98230	6-13	03	L98241	6-17	13	L98253	6-15	48	L98290	6-23	15
L98231	6-13	04	L98241	6-19	16	L98253	6-19	47	L98291	6-25	01
L98232	6-13	05	L98241	6-15	12	L98254	6-3	42	L98292	6-25	02
L98233	6-13	08	L98241	6-19	30	L98254	6-3	47	L98293	6-25	03
L98235	6-19	35	L98241	6-15	26	L98254	6-15	47	L98294	6-25	04
L98235	6-17	20	L98242	6-17	12	L98254	6-15	42	L98295	6-25	05
L98235	6-19	37	L98242	6-19	29	L98255	6-3	45	L98297	6-25	07
L98235	6-17	18	L98242	6-15	25	L98255	6-15	45	L98298	6-25	08
L98235	6-15	36	L98242	6-15	13	L98257	6-19	01	L98300	6-25	10
L98235	6-15	34	L98242	6-19	17	L98257	6-17	01	L98301	6-25	11
L98235	6-15	33	L98243	6-15	24	L98258	6-17	02	L98302	6-25	12
L98235	6-15	31	L98243	6-19	18	L98260	6-17	05	L98304	6-25	14
L98235	6-15	07	L98243	6-15	14	L98260	6-19	41	L98305	6-25	17
L98235	6-15	05	L98243	6-19	28	L98261	6-17	06	L98307	6-25	21

***Numerical Index***

<b>Part No.</b>	<b>Page No.</b>	<b>Ref. No.</b>	<b>Part No.</b>	<b>Page No.</b>	<b>Ref. No.</b>	<b>Part No.</b>	<b>Page No.</b>	<b>Ref. No.</b>
L98307	6-25	19	L98970	6-22	02	L99274	6-7	09
L98308	6-25	20	L99012	6-7	18	L99275	6-8	05
L98310	6-25	29	L99013	6-7	19	L99276	6-8	03
L98311	6-25	28	L99018	6-5	12	L99277	6-11	12
L98312	6-25	27	L99018	6-7	32	L99278	6-15	22
L98313	6-25	26	L99018	6-7	38	L99278	6-15	16
L98314	6-25	30	L99020	6-11	11	L99279	6-17	09
L98315	6-25	30A	L99020	6-11	08	L99280	6-17	28
L98317	6-26	05	L99023	6-11	09	L99281	6-19	20
L98924	6-7	02	L99025	6-11	10	L99282	6-22	05
L98924	6-7	13	L99029	6-5	11	L99312	6-26	01
L98925	6-7	03	L99029	6-7	39			
L98926	6-7	06	L99029	6-5	09			
L98927	6-7	28	L99029	6-11	13			
L98927	6-7	07	L99029	6-7	33			
L98928	6-7	08	L99029	6-5	07			
L98929	6-7	14	L99029	6-7	31			
L98930	6-7	14A	L99029	6-5	14			
L98931	6-7	29	L99030	6-26	02			
L98932	6-7	30	L99031	6-13	07			
L98935	6-7	37	L99032	6-13	06			
L98938	6-5	04	L99034	6-25	15			
L98939	6-5	05	L99035	6-25	16			
L98942	6-9	05	L99036	6-25	18			
L98942	6-9	01	L99038	6-19	26			
L98943	6-9	02	L99039	6-17	23			
L98944	6-9	03	L99040	6-22	01			
L98945	6-9	04	L99041	6-22	03			
L98947	6-9	08	L99043	6-22	06			
L98948	6-11	01	L99045	6-7	34			
L98949	6-11	02	L99060	6-5	10			
L98950	6-11	15	L99184	6-11	14			
L98951	6-11	16	L99246	6-5	02			
L98952	6-11	17	L99246	6-7	11			
L98953	6-11	18	L99246	6-5	06			
L98954	6-11	19	L99246	6-7	16			
L98955	6-3	09	L99246	6-7	04			
L98956	6-25	06	L99246	6-5	01			
L98957	6-25	06A	L99248	6-7	01			
L98958	6-25	09	L99248	6-7	12			
L98959	6-25	13	L99249	6-7	05			
L98960	6-25	31	L99251	6-7	20			
L98962	6-3	44	L99253	6-7	26			
L98962	6-15	44	L99255	6-13	09			
L98964	6-19	05	L99260	6-5	08			
L98964	6-17	04	L99261	6-5	13			
L98965	6-3	31	L99262	6-5	15			
L98965	6-17	31	L99265	6-7	40			
L98968	6-3	43	L99269	6-7	23			
L98968	6-19	43	L99270	6-7	27			
L98970	6-23	17	L99270	6-3	32			

**GEHL® CONSTRUCTION**

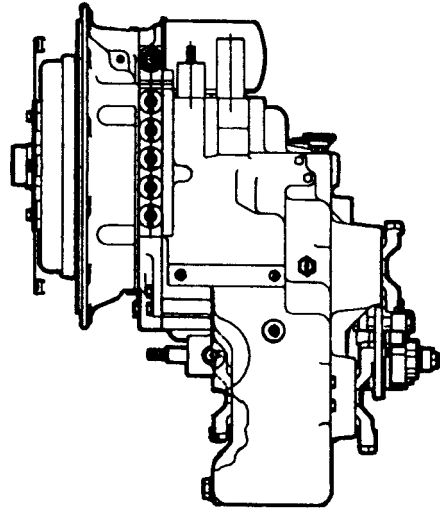
---

# **T12000**

## **Clark**

### **Transmission**

**Model No.**  
**1102-T12366-15**



# **SERVICE PARTS**



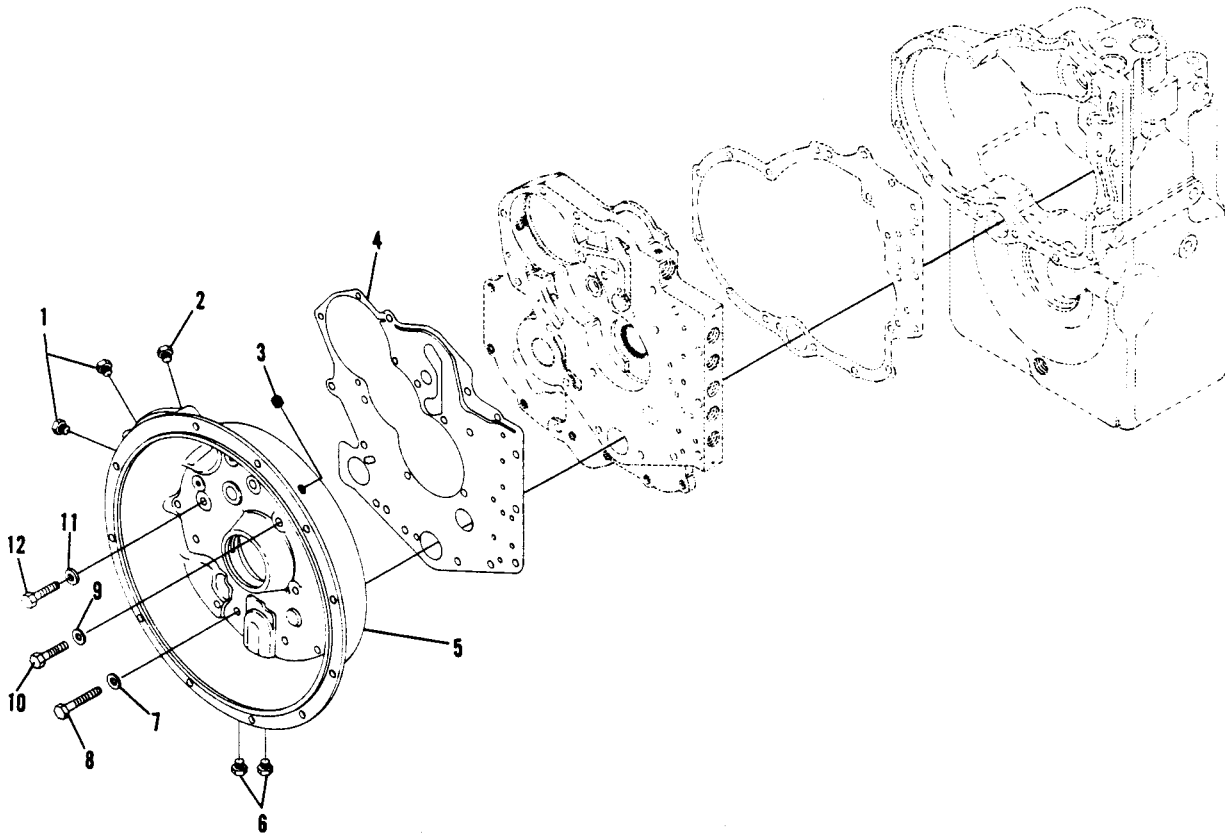
Section Contents . . . . . **7-1**  
426034 - Special Parts Group . . . . . **7-3**  
4224702 - Converter Housing Group . . . . . **7-4**  
4224729 - Case and Plate Group . . . . . **7-6**  
4224982 - Torque Converter Group . . . . . **7-8**  
267396 - Pump Drive Group . . . . . **7-9**  
4224064 - Charge Pump Group . . . . . **7-10**  
267079 - Reverse Idler Group . . . . . **7-12**  
4224984 - Forward/Reverse Shaft Group . . . . . **7-14**  
267185 - 3rd and Output Shaft Group . . . . . **7-16**  
267082 - 1st and 2nd Shaft Group . . . . . **7-18**  
267083 - Output Shaft Group . . . . . **7-20**  
267270 - Disc Brake Group . . . . . **7-22**  
4201407 - Brake Caliper Assembly . . . . . **7-23**  
4224059 - Electric Control With Modulation Group . . . . . **7-24**  
267086 - Drive Plate Group . . . . . **7-26**  
Numerical Index . . . . . **7-27**

**This Page Intentionally Blank**

***Special Parts Group***

Ref. No.	Part No.	Description	Qty. Req.	Ref. No.	Part No.	Description	Qty. Req.	
<b>PAGE 12/13</b>				<b>PAGE 18/19</b>				
09	L98955	REV. IDLER GEAR (26T) . . . . .	1	43	L98968	1ST CLUTCH GEAR & BRG. ASY (Incl. Items 44,45) . . . . .	1	
<b>PAGE 14/15</b>					44	L98253	BEARING. . . . .	1
41	L98253	REV. CLUTCH GEAR BRG. . . . .	1	45	L98253	BEARING. . . . .	1	
42	L98254	REV. CLUTCH GEAR SPACER . . .	1	46	L98276	2ND CLUTCH GEAR & BRG. ASY (Incl. Items 47,48)	1	
43	L98253	REV. CLUTCH GEAR BRG. . . . .	1	47	L98253	BEARING. . . . .	1	
44	L98962	REV. CLUTCH GEAR. . . . .	1	48	L98253	BEARING. . . . .	1	
		& BRG. ASY. (Incl. Items 41-43)		49	L98277	3RD DRIVEN GEAR (18T) . . . . .	1	
45	L98255	FWD. CLUTCH GEAR . . . . .	1	<b>PAGE 20/21</b>				
		& BRG. ASY. (Incl. Items 46-48)		18	L98284	OUTPUT SHAFT GEAR (40T) . . . .	1	
46	L98253	FWD. CLUTCH GEAR BRG. . . . .	1					
47	L98254	FWD. CLUTCH GEAR SPACER. . .	1					
48	L98253	FWD. CLUTCH GEAR BRG. . . . .	1					
<b>PAGE 16/17</b>								
31	L98965	1ST DRIVE GEAR (29T) . . . . .	1					
32	L99270	3RD GEAR & OUTPUT SHAFT (46T). . . . .	1					

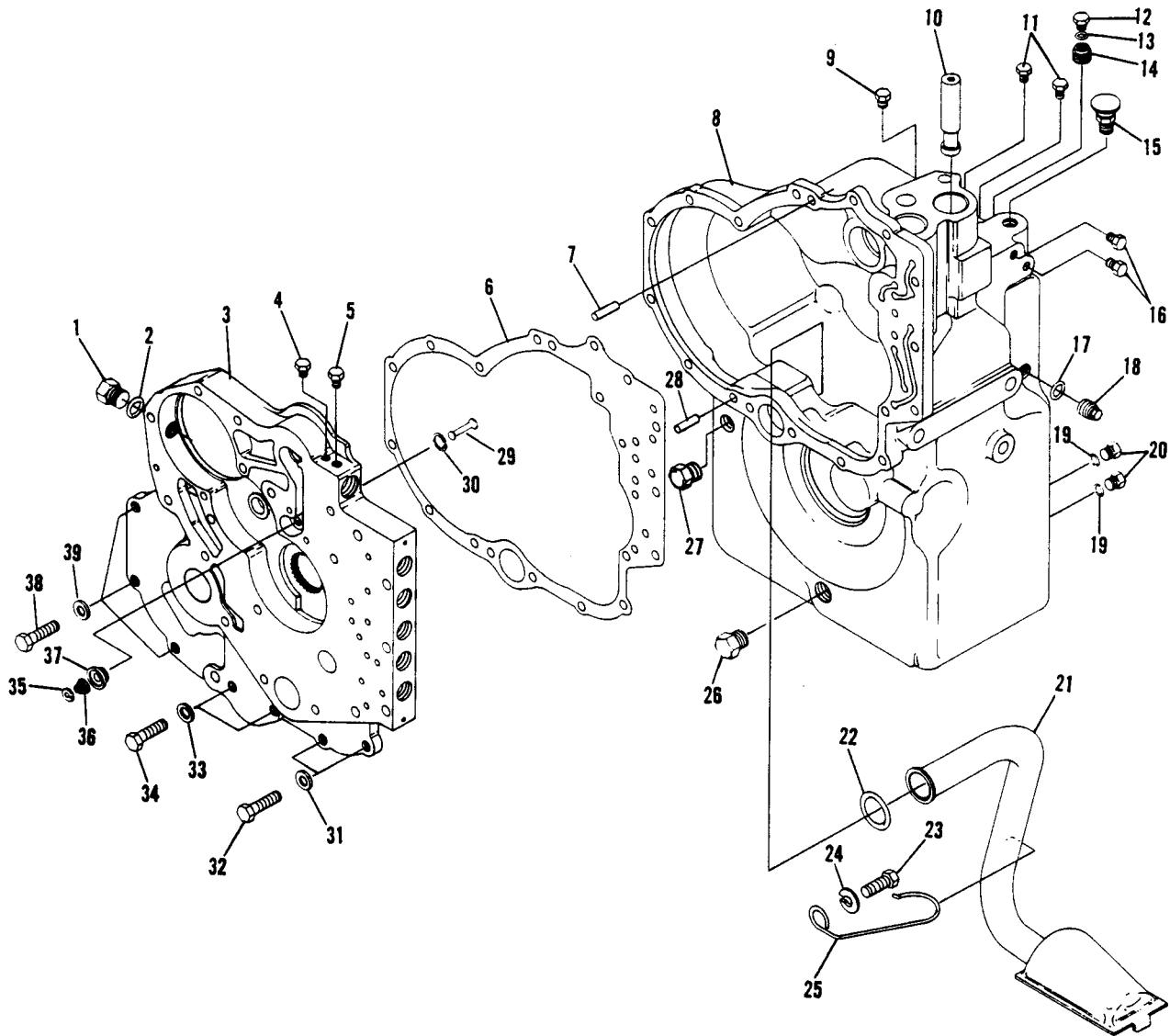
**Converter Housing Group**



***Converter Housing Group***

<b>Ref. No.</b>	<b>Part No.</b>	<b>Description</b>	<b>Qty. Req.</b>	<b>Ref. No.</b>	<b>Part No.</b>	<b>Description</b>	<b>Qty. Req.</b>
01	L99283	Plug (Hi & 3rd Port) . . . . .	2	08	L99260	Conv. Housing. to Trans.	
01A	L99284	Plug "O"Ring (N.I.) . . . . .	2			Case Screw . . . . .	13
02	L99283	Reg. Pressure Port Plug. . . . .	1	09	L99029	Conv. Housing. to Plate	
02A	L99284	Plug "O"Ring (N.I.) . . . . .	1			Screw Lockwasher . . . . .	1
02B	L99249	Plug . . . . .	1	10	L99260	Conv. Hsg. to Plate Screw . . . . .	1
03	L99246	Plug . . . . .	1	11	L99029	Conv. Hsg. to Plate . . . . .	6
04	L98938	Housing to Plate Gasket. . . . .	1			Screw Lockwasher	
05	L99286	Converter Housing . . . . .	1	12	L99285	Conv. Hsg. to Plate Screw . . . . .	6
06	L99283	Plug (1st & 2nd Port) . . . . .	2	13	L99261	Conv. Hsg. to Plate Screw (N.I.) . . . . .	1
06A	L99284	Plug "O"Ring (N.I.) . . . . .	2	14	L99029	Conv. Hsg. to Plate	
07	L99029	Conv. Hsg. to Trans. Case				Screw Lockwasher (N.I.) . . . . .	1
		Screw Lockwasher . . . . .	13	15	L99262	Check valve Bore Plug (N.I.) . . . . .	1

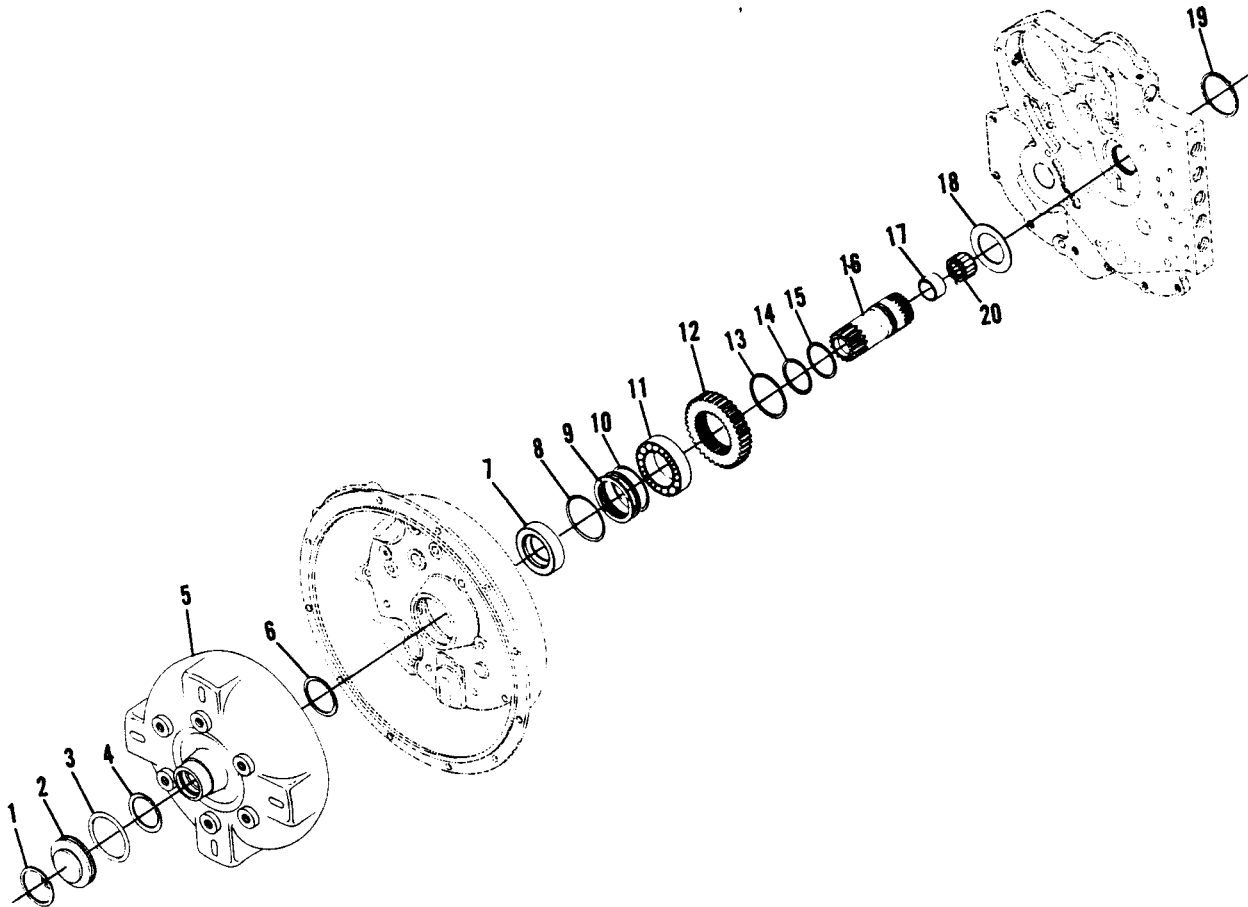
Case & Plate Group



**Case & Plate Group**

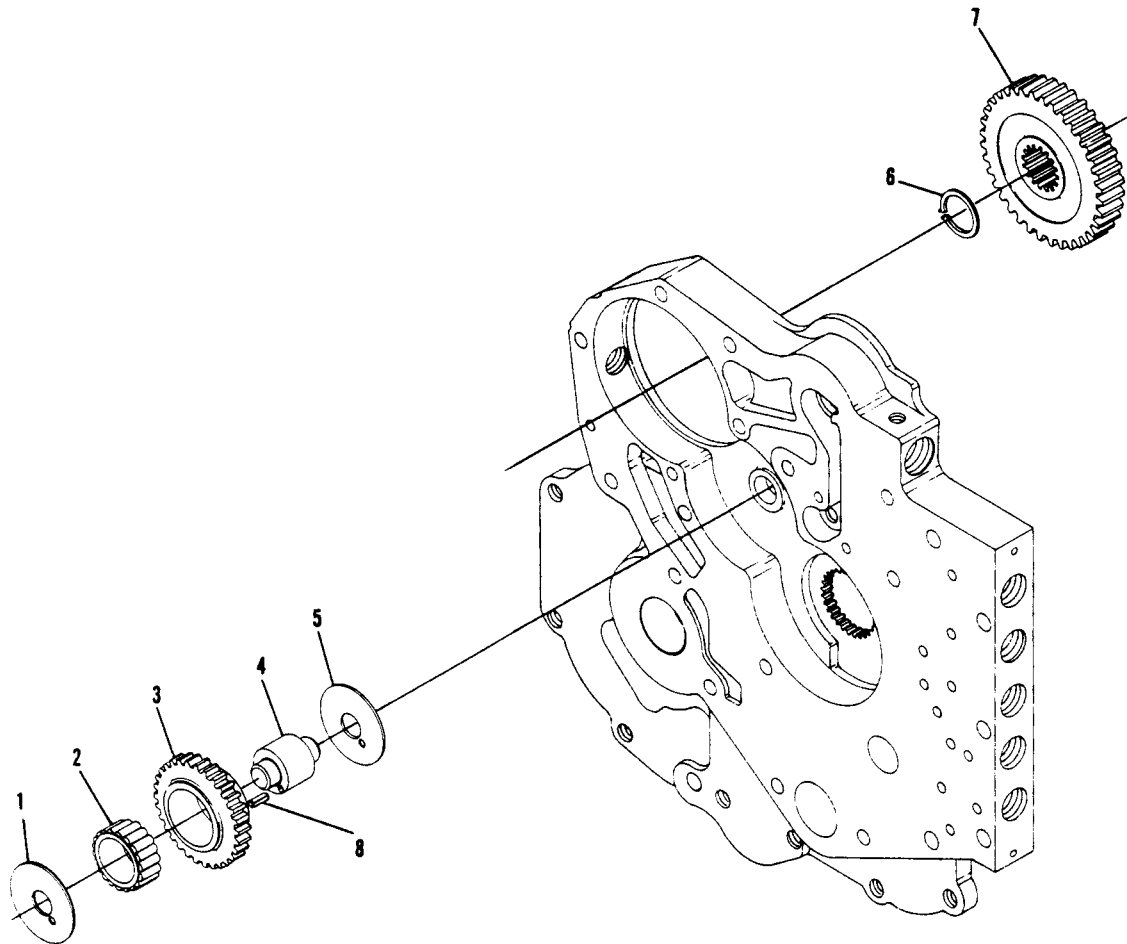
Ref. No.	Part No.	Description	Qty. Req.	Ref. No.	Part No.	Description	Qty. Req.
01	L99287	Sensor Port Plug . . . . .	1	22	L98185	Oil Supply Tube Seal Ring . . . . .	1
02	L97564	Sensor Port Plug "O"Ring . . . . .	1	23	L99269	Retainer Clip Screw . . . . .	1
02A	L99288	Speed Sensor Screw (N.I.) . . . . .	1	24		(Not Used)	
03	L99289	Spacer Plate . . . . .	1	25	L98176	Oil Supply Tube Retainer Clip . . . . .	1
04	L99246	Inlet Pressure Port Plug . . . . .	1	26	L99253	Magnetic Drain Plug . . . . .	1
05	L99290	Outlet Temperture Port Plug . . . . .	1	27	L99270	Drain Back Port Plug . . . . .	1
06	L98926	Plate to Transmission Case Gasket . . . . .	1	28	L98927	Plate to Transmission Case Dowel Pin . . . . .	1
07	L98927	Plate to Transmission Case Dowel Pin . . . . .	1	29	L98931	Converter Safety Valve Poppet . . . . .	1
08	L99291	Transmission Case . . . . .	1	30	L98932	Seat Snap Ring . . . . .	1
09	L99274	Filler Plug . . . . .	1	31	L99029	Plate to Transmission Case Screw Lockwasher . . . . .	2
10		(Not Used)		32	L99018	Plate to Transmission Case Screw . . . . .	2
11	L99246	Pipe Plug . . . . .	2	33	L99029	Plate to Transmission Case Screw Lockwasher . . . . .	2
11A	L99283	Plug . . . . .	1	34	L99045	Plate to Transmission Case Screw . . . . .	3
11B	L99284	Plug "O"Ring . . . . .	1	35	L98217	Poppet Washer . . . . .	1
12	L99287	Speed Sensor Port Plug . . . . .	1	36	L98218	Safety Valve Spring . . . . .	1
13	L98924	Sensor Port Plug "O" Ring . . . . .	1	37	L98935	Safety Valve Seat . . . . .	1
13A	L97564	Speed Sensor Screw (N.I.) . . . . .	1	38	L99018	Plate to Transm. Case Screw . . . . .	3
14	L98929	Sensor Adjusting Bushing . . . . .	1	39	L99029	Plate to Transsion Case Screw Lockwasher . . . . .	3
14A	L98930	Sensor Adjust. Bushing Shim (N.I.) . . . . .	AR	40	L98734	Dipstick Port Plug (N.I.) . . . . .	1
15	L94824	Air Breather . . . . .	1	41	L98735	Dipstick Asy. (N.I.) . . . . .	1
16	L99283	Plug . . . . .	2	42	L99287	Baffle Hole Screw (N.I.) . . . . .	1
16A	L99284	Plug "O"Ring (N.I.) . . . . .	2	43	L99029	Baffle Hole Screw Lockwasher (N.I.) . . . . .	1
17		(Not Used)					
18	L99012	Sensor Port Plug . . . . .	1				
19	L99013	Plug "O" Ring . . . . .	2				
20	L99251	Oil Level Plug . . . . .	2				
21	L98184	Tube & Screen Assembly . . . . .	1				

**Torque Converter Group**



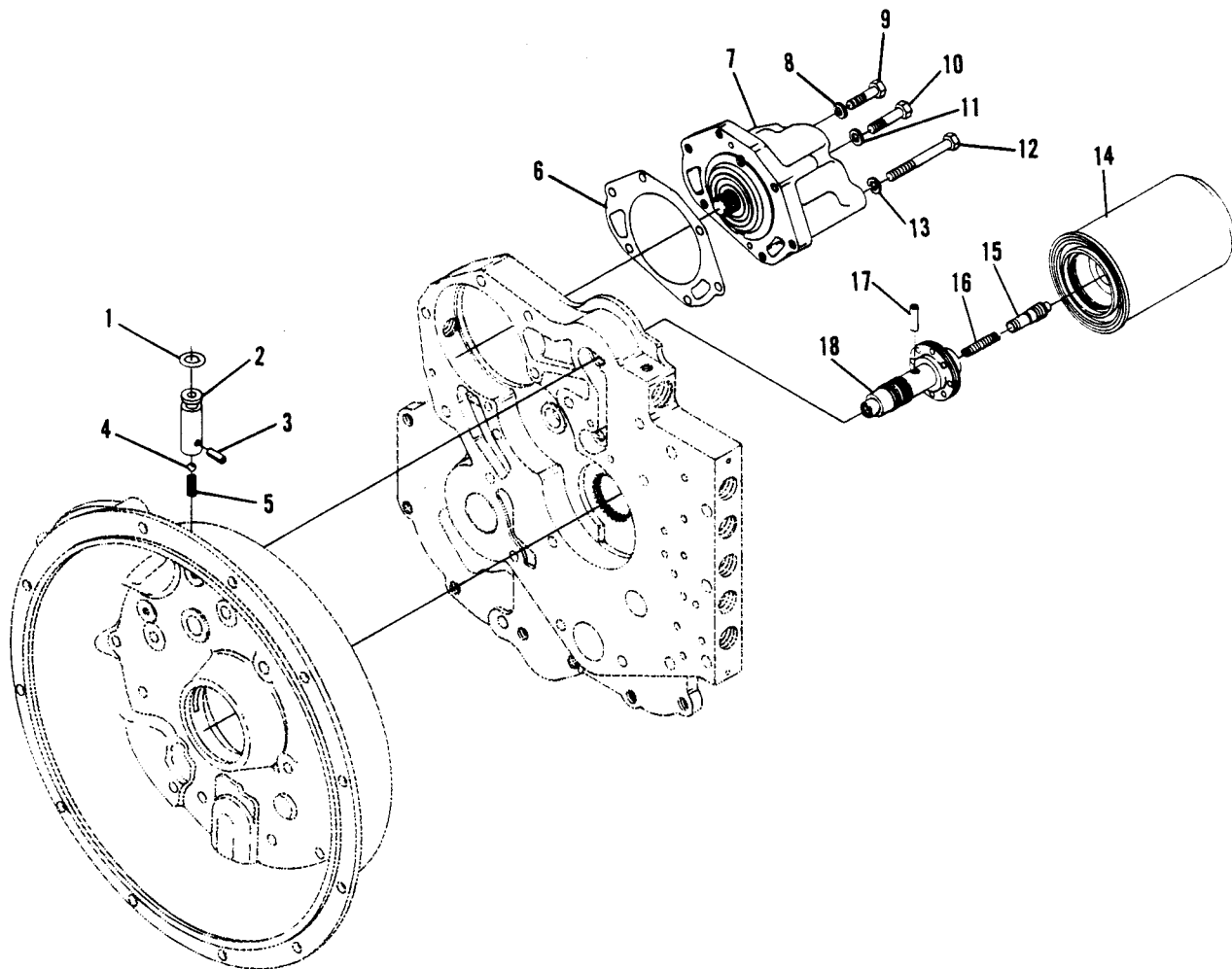
Ref. No.	Part No.	Description	Qty. Req.	Ref. No.	Part No.	Description	Qty. Req.
01	L98188	Plug Snap Ring . . . . .	1	12	L98199	Impeller Hub Gear (35T). . . . .	1
02	L98189	Torque Converter Plug . . . . .	1	13	L98200	Stator Support Snap Ring. . . . .	1
03	L98190	Torque Converter Plug "O" Ring . . .	1	14	L98201	Stator Support Piston Ring . . . . .	1
04	L98191	Impeller Hub Snap Ring . . . . .	1	15	L98202	Stator Support Piston . . . . .	1
05	L99287	Torque Converter Asy. . . . .	1			Ring Expander	
06	L98191	Impeller Hub Snap Ring . . . . .	1	16	L98203	Stator Support Asy . . . . .	1
07	L98194	Conv. Hsg. Oil Seal . . . . .	1			(Inc. Item 17 & 20)	
08	L98195	Oil Distributor Ring "O"Ring . . . . .	1	17	L98204	Bushing (Inc. in Item 16) . . . . .	1
09	L98196	Oil Distributor Ring . . . . .	1	18	L98205	Impeller Hub Gear Washer . . . . .	1
10	L98195	Oil Distributor Ring "O"Ring . . . . .	1	19	L98206	Stator Support Snap Ring. . . . .	1
11	L98198	Torque Conv. Bearing. . . . .	1	20	L98197	Bearing (Inc. In Item #16). . . . .	1

**Pump Drive Group**



Ref. No.	Part No.	Description	Qty. Req.	Ref. No.	Part No.	Description	Qty. Req.
01	L98942	Pump Drive Idler Thrust Washer . . .	1	05	L98942	Pump Drive Idler Thrust Washer . . .	1
02	L98943	Idler Gear Bearing . . . . .	1	06	L98212	Pump Drive Gear Ret Snap Ring . .	1
03	L98944	Pump Drive Idler Gear (31T) . . . . .	1	07	L98211	Pump Drive Gear (34T) . . . . .	1
04	L98945	Pump Drive Idler Shaft & Pin Asy. . .	1	08	L98947	Roll Pin (Incl. in Item #4) . . . . .	1
		(Incl. Item #8)					

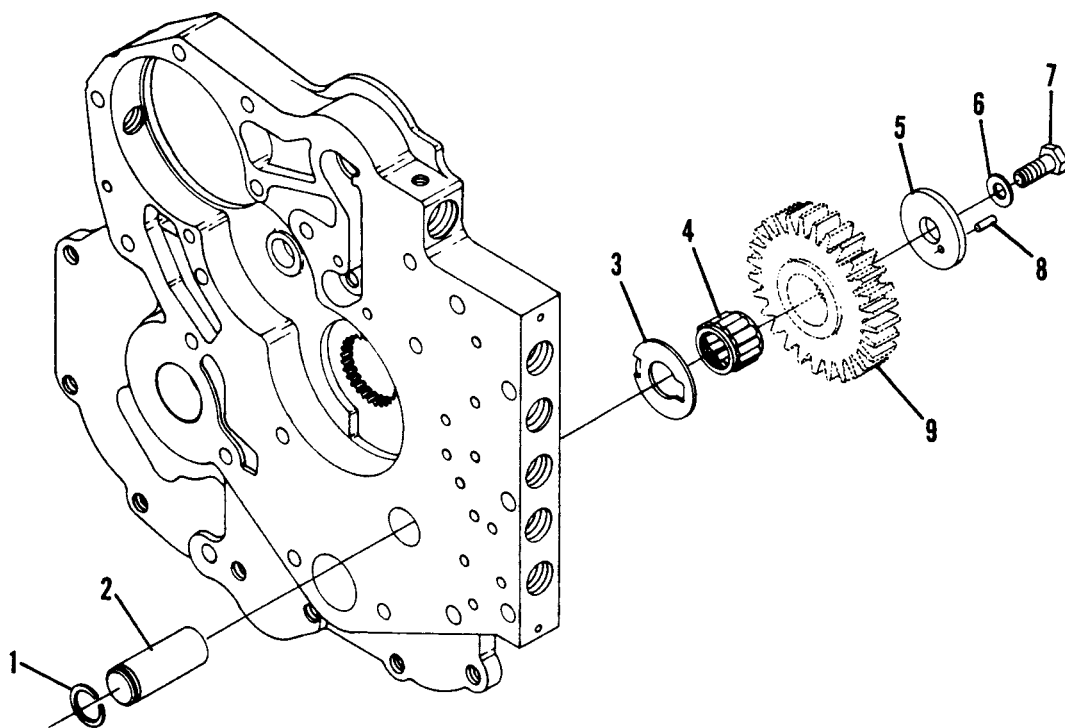
**Charge Pump w/Filter Group**



***Charge Pump w/Filter Group***

<b>Ref. No.</b>	<b>Part No.</b>	<b>Description</b>	<b>Qty. Req.</b>	<b>Ref. No.</b>	<b>Part No.</b>	<b>Description</b>	<b>Qty. Req.</b>
01	L98948	"O"Ring .....	1	11	L99020	Pump Mtg. Screw Lockwasher .....	4
02	L98949	Ball Check Valve Asy. .... (Inc. Items 1 thru 5)	1	12	L99027	Pump Mtg. Screw .....	1
03	L98214	Pin .....	1	13	L99029	Pump Mtg. Screw Lockwasher .....	1
04	L98215	Ball .....	1	14	L99184	Filter Assembly .....	1
05	L98216	Spring .....	1	15	L98950	Piston .....	1
06	L98219	Charging Pump Gasket .....	1	16	L98951	Spring .....	1
07	L98220	Charging Pump .....	1	17	L98952	Pin .....	1
08	L99020	Pump Mtg. Screw Lockwasher .....	1	18	L98953	Sleeve .....	1
09	L99023	Pump Mounting Scew .....	1	19	L98954	Regulator Valve Asy. .... (Inc. Items 15 thru 18)	1
10	L99025	Pump Mounting Screw .....	4				

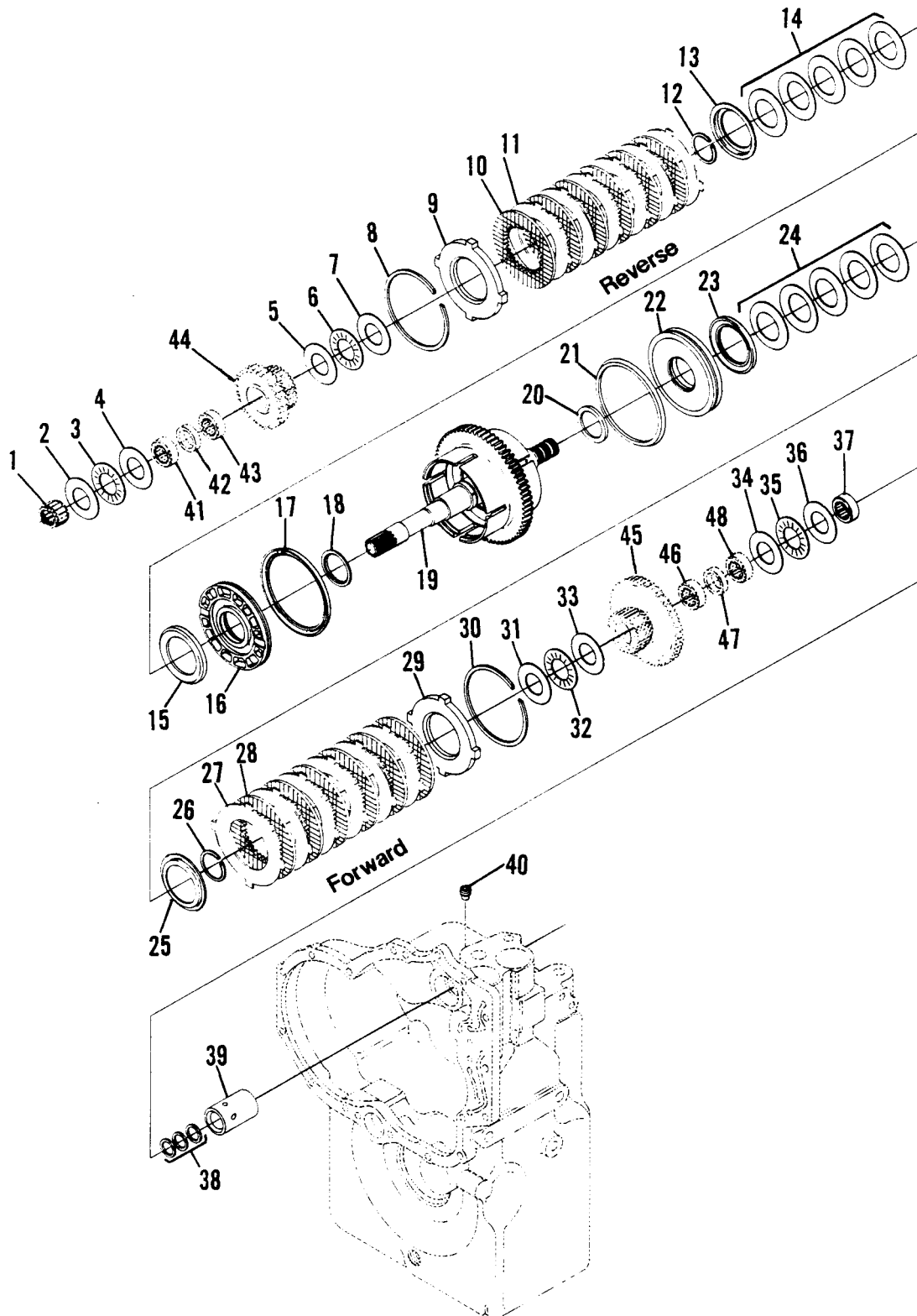
*Reverse Idler Group*



***Reverse Idler Group***

<b>Ref. No.</b>	<b>Part No.</b>	<b>Description</b>	<b>Qty. Req.</b>	<b>Ref. No.</b>	<b>Part No.</b>	<b>Description</b>	<b>Qty. Req.</b>
01	L98228	Idler Shaft Snap Ring . . . . .	1	06	L99032	End Plate Capscrew Washer . . . . .	1
02	L98229	Idler & Pilot Shaft . . . . .	1	07	L99031	Rev. Idler End Plate Capscrew . . . . .	1
03	L98230	Thrust Washer . . . . .	1	08	L98233	End Plate to Shaft Roll Pin . . . . .	1
04	L98231	Reverse Idler Gear Bearing . . . . .	1	09	L98955	Reverse Idler Gear . . . . .	1
05	L98232	End Plate . . . . .	1				

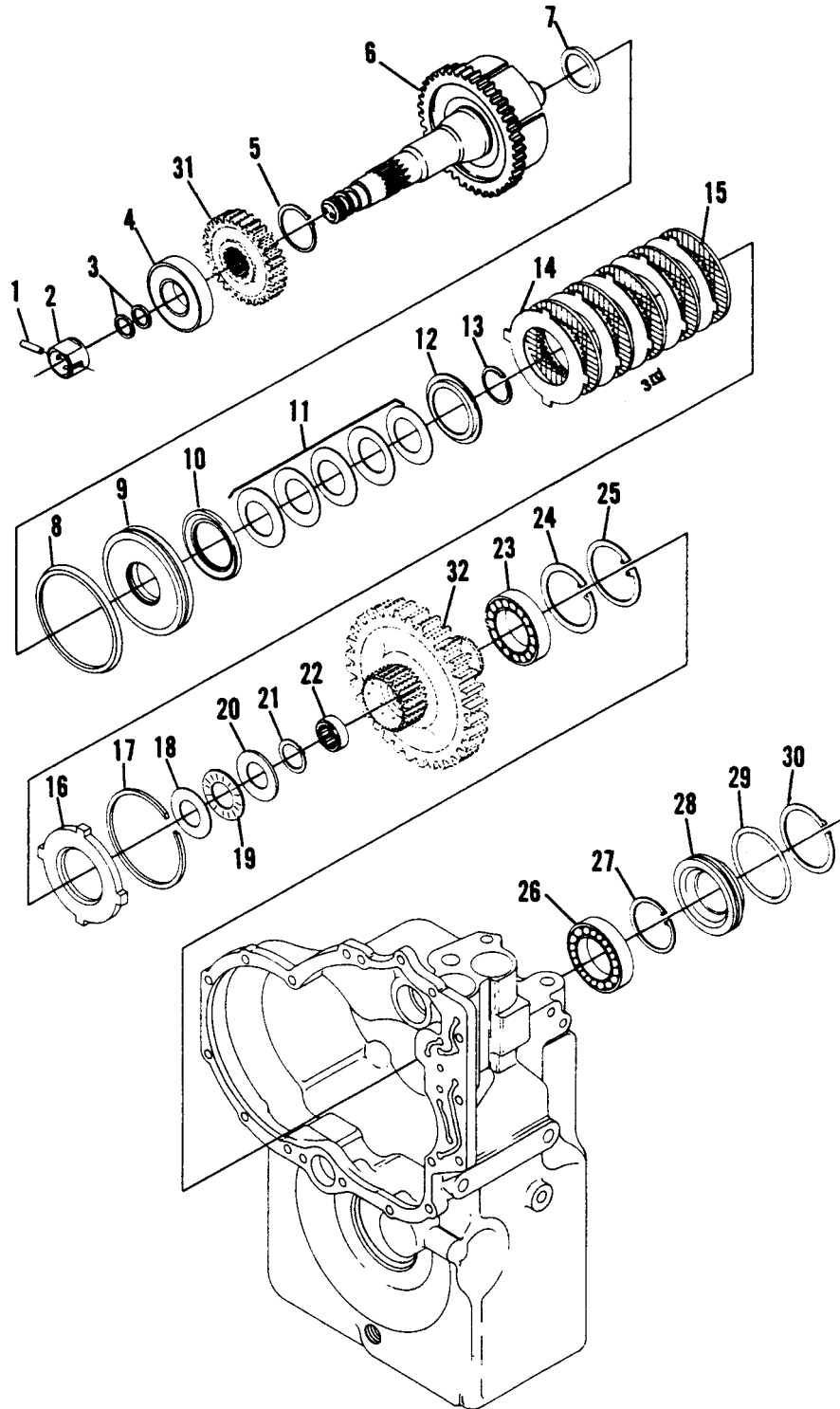
### Forward & Reverse Shaft Group



***Forward & Reverse Shaft Group***

Ref. No.	Part No.	Description	Qty. Req.	Ref. No.	Part No.	Description	Qty. Req.
01		Turbine Shaft Front Bearing <i>(See Converter Group)</i>		26	L98241	Retainer Snap Ring . . . . .	1
02	L98235	Clutch Gear Thrust Washer . . . . .	1	27	L98240	Outer Disc - Forward Clutch . . . . .	6
03	L98236	Clutch Gear Thrust Washer Brg. . . . .	1	28	L98239	Inner Disc - Forward Clutch . . . . .	6
04	L98235	Clutch Gear Thrust Washer . . . . .	1	29	L98238	End Plate . . . . .	1
05	L98235	Clutch Gear Thrust Washer . . . . .	1	30	L98237	End Plate Snap Ring . . . . .	1
06	L98236	Clutch Gear Thrust Washer Brg. . . . .	1	31	L98235	Clutch Gear Thrust Washer . . . . .	1
07	L98235	Clutch Gear Thrust Washer . . . . .	1	32	L98236	Clutch Gear Thrust Washer Brg. . . . .	1
08	L98237	End Plate Snap Ring . . . . .	1	33	L98235	Clutch Gear Thrust Washer . . . . .	1
09	L98238	End Plate . . . . .	1	34	L98235	Clutch Gear Thrust Washer . . . . .	1
10	L98239	Inner Disc-Reverse Clutch . . . . .	6	35	L98236	Clutch Gear Thrust Washer Brg. . . . .	1
11	L98240	Outer Disc-Reverse Clutch . . . . .	6	36	L98235	Clutch Gear Thrust Washer . . . . .	1
12	L98241	Retainer Snap Ring . . . . .	1	37	L98249	Turbine Shaft Rear Bearing . . . . .	1
13	L98242	Snap Ring Retainer . . . . .	1	38	L98250	Piston Ring . . . . .	3
14	L98243	Disc Washer (Spring) Asy. . . . .	5	39	L98251	Oil Distributor Sleeve . . . . .	1
15	L98244	Clutch Piston Wear Plate . . . . .	1	40	L98252	Retainer Screw . . . . .	1
16	L99288	Clutch Piston . . . . .	1	41	L98253	Bearing . . . . .	1
17	L98246	Clutch Piston . . . . .	1	42	L98254	Spacer . . . . .	1
18	L98247	Clutch Piston Seal - Inner. . . . .	1	43	L98253	Bearing . . . . .	1
19	L98291	Turbine Shaft Drum & Plug Asy. . . . .	1	44	L98962	Rev. Clutch Gear & Brg. Asy. . . . . (Incl. Items 41 thru 43)	1
20	L98247	Clutch Piston Seal - Inner. . . . .	1	45	L98255	Fwd. Clutch Gear & Brg. Asy. . . . . (Incl. Items 46 thru 48)	1
21	L98246	Clutch Piston Seal - Outer . . . . .	1	46	L98253	Bearing . . . . .	1
22	L99290	Clutch Piston . . . . .	1	47	L98254	Spacer - <i>See Special Parts Sect.</i> . . . . .	1
23	L98244	Clutch Piston Wear Plate . . . . .	1	48	L98253	Bearing - <i>See Special Parts Sect.</i> . . . . .	1
24	L98243	Disc Washer (Spring) Asy. . . . .	5				
25	L98242	Snap Ring Retainer . . . . .	1				

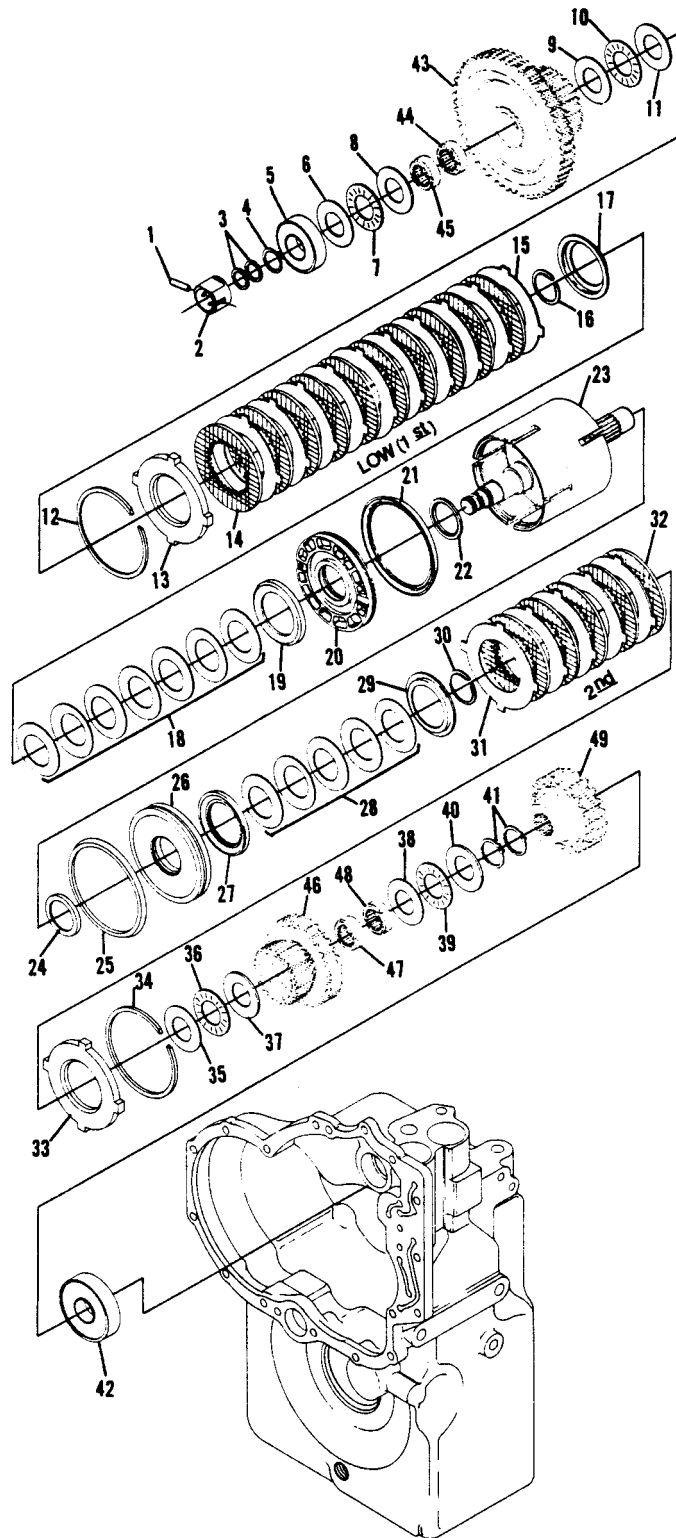
### 3rd & Output Shaft Group



***3rd & Output Shaft Group***

<b>Ref. No.</b>	<b>Part No.</b>	<b>Description</b>	<b>Qty. Req.</b>	<b>Ref. No.</b>	<b>Part No.</b>	<b>Description</b>	<b>Qty. Req.</b>
01	L98257	Sleeve Locating Screw . . . . .	1	16	L98238	End Plate . . . . .	1
02	L98258	Oil Distributor Sleeve . . . . .	1	17	L98237	End Plate Snap Ring . . . . .	1
03	L98250	Piston Ring . . . . .	2	18	L98235	Clutch Gear Thrust Washer . . . . .	1
04	L98964	Bearing & Seal Asy. . . . .	1	19	L98236	Clutch Gear Thrust Washer Brg. . . . .	1
05	L98260	Gear Hub Snap Ring . . . . .	1	20	L98235	Clutch Gear Thrust Washer . . . . .	1
06	L98261	3rd Shaft, Drum, & Plug Asy. . . . .	1	21	L98271	Thrust Washer Ret. Snap Ring . . . . .	1
07	L98247	Clutch Piston Inner Seal . . . . .	1	22	L98263	3rd Clutch Gear Bearing. . . . .	1
08	L98246	Clutch Piston Outer Seal . . . . .	1	23	L99039	Rear Bearing . . . . .	1
09	L99279	Clutch Piston & Ball Seat & Seals Asy (Incl. Items 7,8). . . . .	5	24	L98264	Rear Bearing Ret. Snap Ring . . . . .	1
10	L98244	Clutch Piston Wear Plate . . . . .	1	25	L98264	Output Shaft Brg. Snap Ring . . . . .	1
11	L98243	Disc Washer (Spring) Asy. . . . .	5	26	L98282	Output Shaft Bearing . . . . .	1
12	L98242	Snap Ring Retainer . . . . .	1	27	L98266	Output Shaft Brg. Ret. Snap Ring. . . . .	1
13	L98241	Retainer Snap Ring . . . . .	1	28	L99280	Plug - Capped End. . . . .	1
14	L98240	Outer Disc - 3rd Clutch. . . . .	5	29	L98268	Oil Seal Sleeve "0" Ring. . . . .	1
15	L98239	Inner disc - 3rd Clutch . . . . .	5	30	L98264	Output Shaft Brg. Snap Ring . . . . .	1
				31	L98965	1st Drive Gear . . . . .	1
				32	L98270	3rd Gear & Shaft . . . . .	1

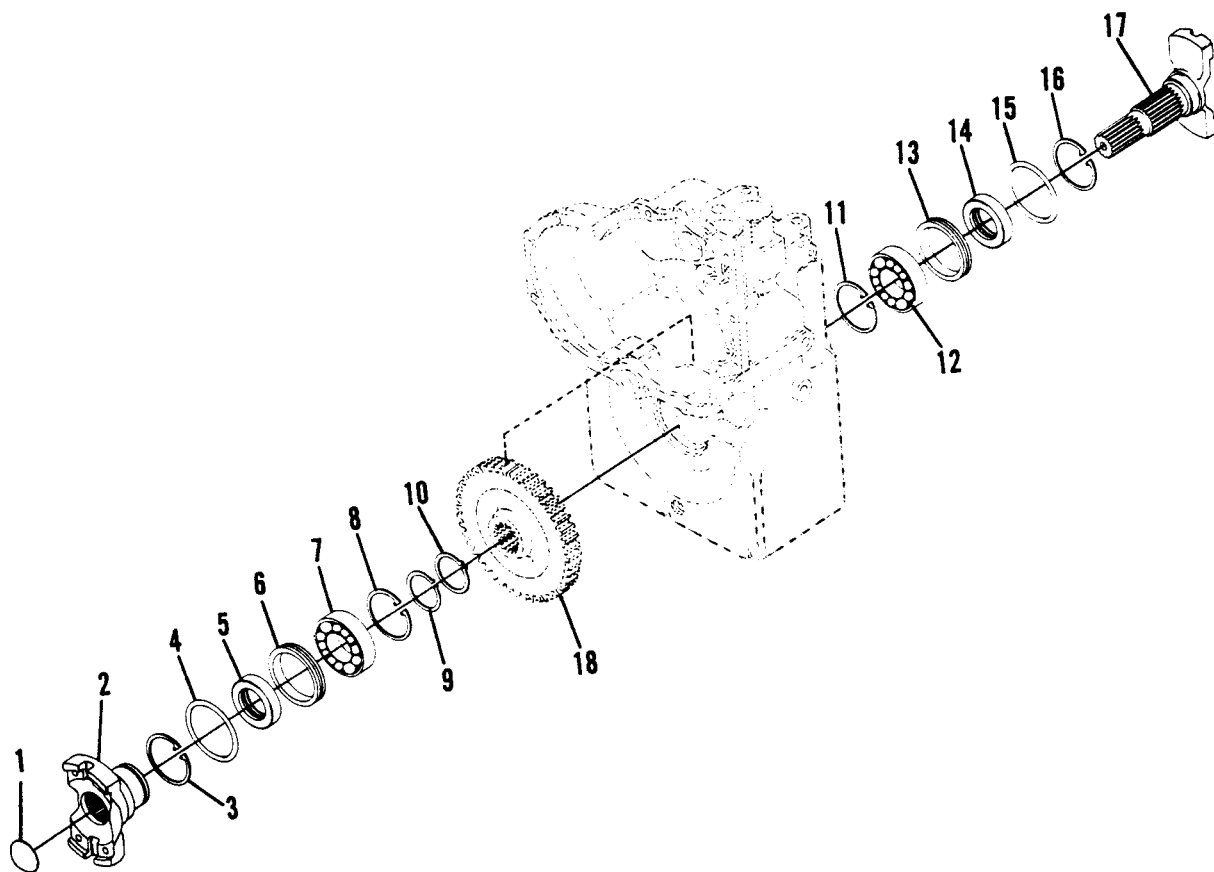
### 1st & 2nd Shaft Group



**1st & 2nd Shaft Group**

Ref. No.	Part No.	Description	Qty. Req.	Ref. No.	Part No.	Description	Qty. Req.
01	L98257	Sleeve Locating Screw . . . . .	1	27	L98244	Clutch Piston Wear Plate . . . . .	1
02	L98272	Oil Distributor Sleeve . . . . .	1	28	L98243	2nd Clutch Disc Spring Asy. . . . .	5
03	L98250	Piston Ring . . . . .	2	29	L98242	Snap Ring Retainer . . . . .	1
04		(Not Used)		30	L98241	Retainer Snap Ring . . . . .	1
05	L98964	Bearing & Seal Asy. . . . .	1	31	L98240	Outer Disc - 2nd Clutch . . . . .	5
06	L98235	Clutch Gear Thrust Washer . . . . .	1	32	L98239	Inner Disc - 2nd Clutch. . . . .	5
07	L98236	Clutch Gear Thrust Washer Brg. . . . .	1	33	L98238	End Plate . . . . .	1
08	L98235	Clutch Gear Thrust Washer . . . . .	1	34	L98237	End Plate Snap Ring . . . . .	1
09	L98235	Clutch Gear Thrust Washer . . . . .	1	35	L98235	Clutch Gear Thrust Washer . . . . .	1
10	L98236	Clutch Gear Thrust Washer Brg. . . . .	1	36	L98236	Clutch Gear Thrust Washer Brg. . . . .	1
11	L98235	Clutch Gear Thrust Washer . . . . .	1	37	L98235	Clutch Gear Thrust Washer . . . . .	1
12	L98237	End Plate Snap Ring . . . . .	1	38	L98235	Clutch Gear Thrust Washer . . . . .	1
13	L98238	End Plate . . . . .	1	39	L98236	Clutch Gear Thrust Washer Brg. . . . .	1
14	L98239	Inner Disc - 1st Clutch . . . . .	10	40	L98235	Clutch Gear Thrust Washer . . . . .	1
15	L98240	Outer Disc - 1st Clutch . . . . .	10	41	L98260	2nd Clutch Gear Hub Snap Ring . . . . .	2
16	L98241	Retainer Snap Ring . . . . .	1	42	L98275	Rear Bearing . . . . .	1
17	L98242	Snap Ring Retainer . . . . .	1	43	L98968	1st Clutch Gear & Brg. Asy. . . . .	1
18	L98243	1st Clutch Disc Spring Asy. . . . .	7			(Incl. Items 44,45)	
19	L98244	Clutch Piston Wear plate . . . . .	1	44	L98253	Bearing . . . . .	1
20	L99281	Clutch Piston & Seals Asy. (Incl. Items 21,22) . . . . .	1	45	L98253	Bearing . . . . .	1
21	L98246	Clutch Piston Seal - Outer . . . . .	1	46	L98276	2nd Clutch Gear & Brg. Assy. . . . .	1
22	L98247	Clutch Piston Seal - Inner. . . . .	1			(Incl. Items 47,48)	
23	L98274	1st & 2nd Shaft, Drum & Plug Asy. . . . .	1	47	L98253	Bearing . . . . .	1
24	L98247	Clutch Piston Seal - Inner. . . . .	1	48	L98253	Bearing . . . . .	1
25	L98246	Clutch Piston Seal - Outer . . . . .	1	49	L98277	3rd Driven Gear . . . . .	1
26	L99038	Clutch Piston & Seals Asy. (Incl. Items 24,25) . . . . .	1			(See Special Parts Group)	

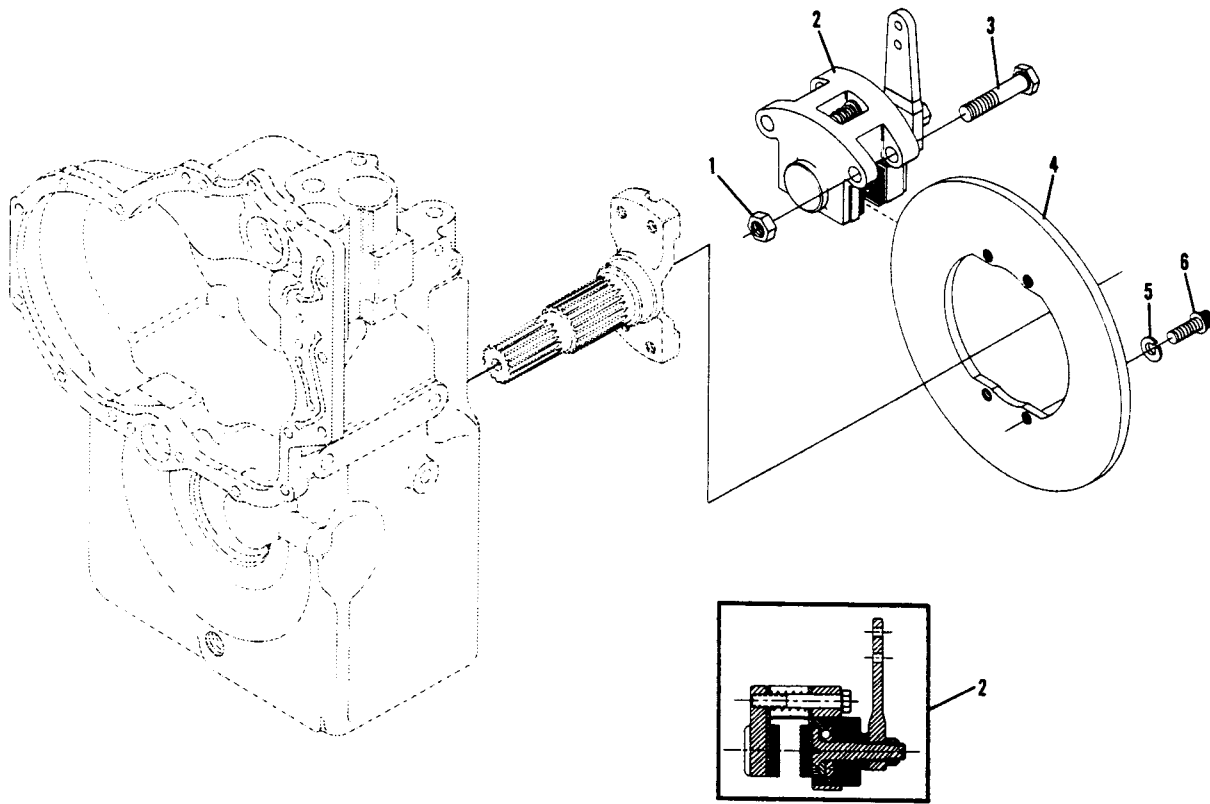
*Output Shaft Group*



***Output Shaft Group***

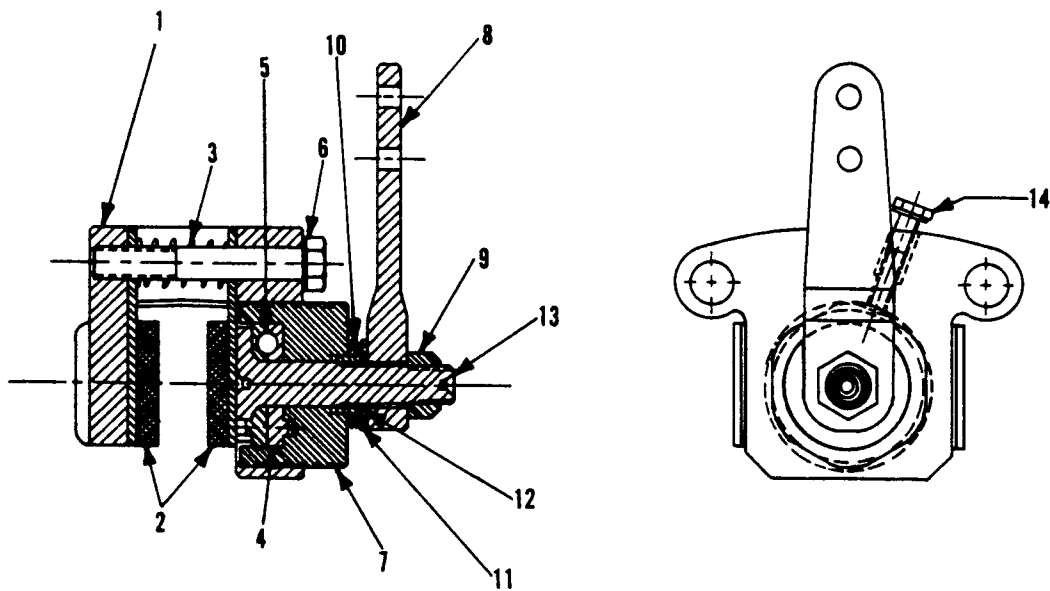
<b>Ref. No.</b>	<b>Part No.</b>	<b>Description</b>	<b>Qty. Req.</b>	<b>Ref. No.</b>	<b>Part No.</b>	<b>Description</b>	<b>Qty. Req.</b>
01	L98278	Flange Plug . . . . .	1	10	L98266	Gear Retaining Ring . . . . .	1
02	L98279	Output Flange & Plug Asy. . . . . (Inc. Item 1)	1	11	L98264	Output Shaft Brg. "O"Ring . . . . .	1
03	L98264	Output Shaft Brg. Snap Ring . . . . .	1	12	L98282	Output Shaft Bearing . . . . .	1
04	L98268	Oil Seal Sleeve "O"Ring . . . . .	1	13	L98281	Oil Seal Sleeve . . . . .	1
05	L96053	Output Shaft Oil Seal . . . . .	1	14	L96053	Output Shaft Oil Seal . . . . .	1
06	L98281	Oil Seal Sleeve . . . . .	1	15	L98268	Output Shaft Sleeve "O"Ring . . . . .	1
07	L98282	Output Shaft Bearing . . . . .	1	16	L98264	Output Shaft Brg. "O"Ring . . . . .	1
08	L98264	Output Shaft Brg. Snap Ring . . . . .	1	17	L98283	Output Shaft & Brake Flange (SC) . . . . .	1
09	L98266	Flange Retaining Ring . . . . .	1	18	L98284	Output Shaft Gear . . . . .	1

**Disc Brake Group**



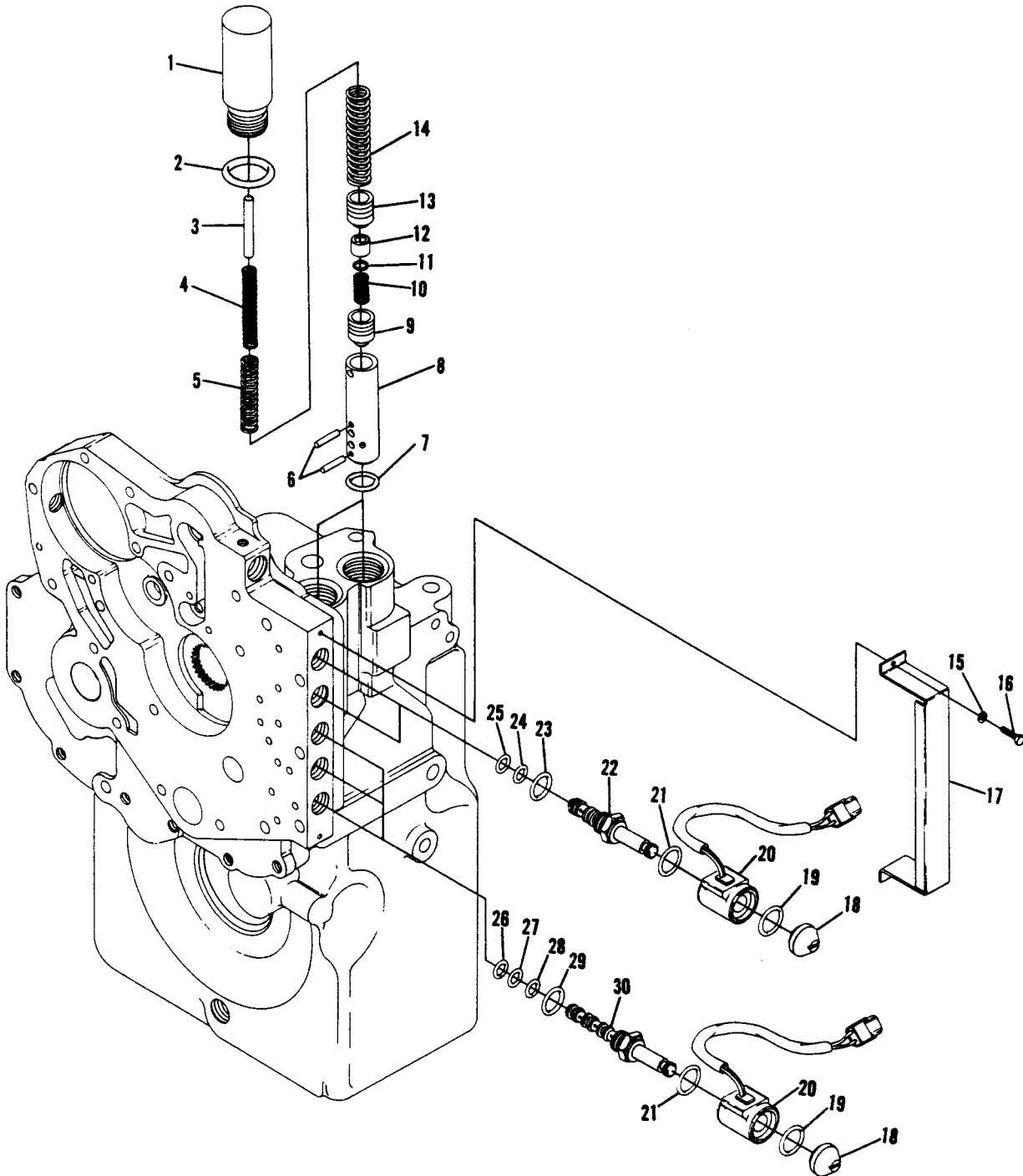
Ref. No.	Part No.	Description	Qty. Req.	Ref. No.	Part No.	Description	Qty. Req.
01	L99040	Caliper Asy. Capscrew Lock Nut . . .	2	04	L98287	Brake Disc . . . . .	1
02	L98970	Caliper Brake Asy. (See Parts List) .	1	05	L99042	Brake Disc Capscrew Lockwasher .	4
03	L99041	Caliper Assy. Mtg. Capscrew . . . . .	2	06	L99043	Brake Disc Capscrew . . . . .	4

**Brake Caliper Assembly**



Ref. No.	Part No.	Description	Qty. Req.	Ref. No.	Part No.	Description	Qty. Req.
01	NSS	Housing		11	NSS	Retainer	
02	L98288	Lining Kit . . . . .	1	12	NSS	Retainer Ring	
03	NSS	Spring		13	NSS	Piston	
04	NSS	Cam Plate		14	NSS	Capscrew	
05	NSS	Ball		15	L98290	Piston & Module Assy. Kit. . . . .	1
06	NSS	Capscrew				(Incl. Items 4,5,7 Thru 13)	
07	NSS	Body		16	L98285	Ball & Cam Repair Kit . . . . .	1
08	L98289	Lever . . . . .	1			(Incl. Items 4,5)	
09	NSS	Nut		17	L98970	Calpier Assy. . . . .	1
10	NSS	Belleville Spring				(Incl. Items 1 thru 14)	

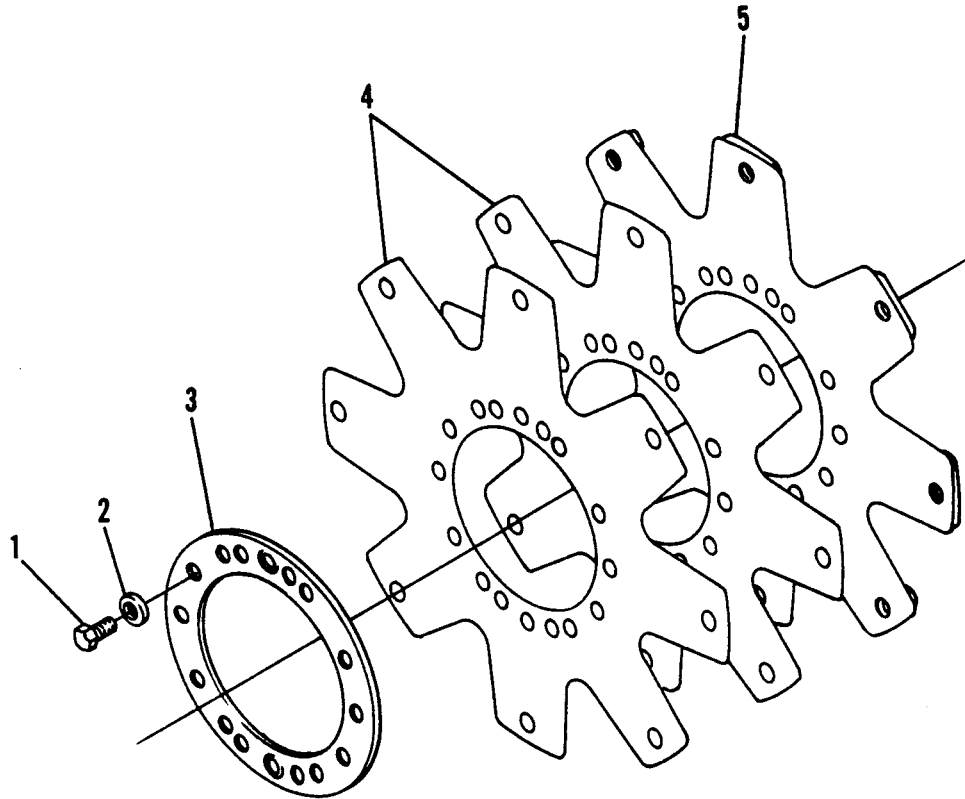
**Electric Control w/Modulation Group**



***Electric Control w/Modulation Group***

<b>Ref. No.</b>	<b>Part No.</b>	<b>Description</b>	<b>Qty. Req.</b>	<b>Ref. No.</b>	<b>Part No.</b>	<b>Description</b>	<b>Qty. Req.</b>
01	L98291	Modulator Valve Housing . . . . .	1	19	L98307	Nut to Coil "O,Ring. . . . .	4
02	L98292	Modulator Housing "0" Ring . . . . .	1	20	L98308	Solenoid Coil - 12 Volt . . . . .	4
03	L98293	Stop Pin . . . . .	1	21	L98307	Coil to Cartridge "O"Ring . . . . .	4
04	L98294	Spring - Inner . . . . .	1	22		<i>(Not Used - See Item 30)</i>	
05	L98295	Spring - Middle . . . . .	1	23		<i>(Not Used - See Item 29)</i>	
06	L98996	Upper Pin. . . . .	2	24		<i>(Not Used - See Item 28)</i>	
6A	L98957	Lower Pin. . . . .	2	25		<i>(Not Used - See Item 27)</i>	
07	L98297	Sleeve "O"Ring . . . . .	1	26	L98313	Cartridge "O"Ring. . . . .	3
08	L98298	Modulation Housing Sleeve . . . . .	1	27	L98312	Cartridge "O"Ring. . . . .	2
09	L98958	Regulator Spool . . . . .	1	28	L98311	Cartridge "O"Ring. . . . .	3
10	L98300	Spring . . . . .	1	29	L98310	Cartridge "O"Ring. . . . .	3
11	L98301	Spring Spacer. . . . .	1	30	L98314	Valve Cartridge, 4 Way. . . . .	2
12	L98302	Spring Retainer . . . . .	1			Used at 1st & 2nd - 3rd (Incl. Items 26-29)	
13	L98959	Accumulator Spool . . . . .	1	30A	L98315	Solenoid Bore Plug . . . . .	1
14	L98304	Spring - Outer . . . . .	1			Used at Fwd.-Hi & Low (Incl. (1) of Itmes 26,28,29)	
15	L99034	Cover Screw Lockwasher. . . . .	2	31	L98960	Spool Type Sol. Cartridge Asy (Incl. Item 18 thru 21[4 ea.] , 30) . . .	4
16	L99035	Cover Screw . . . . .	2				
17	L98305	Protective Cover. . . . .	1				
18	L99036	Valve Cartridge Retainer Nut . . . . .	4				

**Drive Plate Group**



Ref. No.	Part No.	Description	Qty. Req.	Ref. No.	Part No.	Description	Qty. Req.
01	L99033	Drive Plate Mounting Screw . . . . .	6	04	NSS	Drive Plate - (Incl. In Item #5)	
02	L99030	Drive Plate Mounting Screw Lockwasher . . . . .	6	05	L98317	Drive Plate Asy. Kit (Incl. Items 1 thru 4) . . . . .	1
03	L97516	Drive Plate Backing Ring . . . . .	1				

***Numerical Index***

<b>Part No.</b>	<b>Page No.</b>	<b>Ref. No.</b>	<b>Part No.</b>	<b>Page No.</b>	<b>Ref. No.</b>	<b>Part No.</b>	<b>Page No.</b>	<b>Ref. No.</b>	<b>Part No.</b>	<b>Page No.</b>	<b>Ref. No.</b>
L94824	7-7	15	L98235	7-19	09	L98243	7-15	14	L98261	7-17	06
L96053	7-21	14	L98235	7-19	11	L98243	7-19	18	L98262	7-17	09
L96053	7-21	05	L98235	7-15	31	L98243	7-19	28	L98263	7-17	22
L96235	7-15	36	L98235	7-17	18	L98244	7-19	27	L98264	7-17	24
L96235	7-15	05	L98235	7-15	33	L98244	7-15	15	L98264	7-21	16
L97516	7-26	03	L98235	7-15	34	L98244	7-17	10	L98264	7-21	11
L97564	7-7	13A	L98235	7-15	07	L98244	7-15	23	L98264	7-17	30
L97564	7-7	02	L98235	7-15	02	L98244	7-19	19	L98264	7-17	25
L98176	7-7	25	L98235	7-19	37	L98246	7-19	25	L98264	7-21	08
L98184	7-7	21	L98235	7-15	04	L98246	7-17	08	L98264	7-21	03
L98185	7-7	22	L98236	7-15	03	L98246	7-15	17	L98266	7-21	10
L98188	7-8	01	L98236	7-15	06	L98246	7-19	21	L98266	7-17	27
L98189	7-8	02	L98236	7-15	32	L98246	7-15	21	L98266	7-21	09
L98190	7-8	03	L98236	7-15	35	L98247	7-19	22	L98267	7-17	28
L98191	7-8	04	L98236	7-19	39	L98247	7-19	24	L98268	7-21	04
L98191	7-8	06	L98236	7-17	19	L98247	7-17	07	L98268	7-17	29
L98194	7-8	07	L98236	7-19	36	L98247	7-15	18	L98268	7-21	15
L98195	7-8	08	L98236	7-19	07	L98247	7-15	20	L98270	7-17	32
L98195	7-8	00	L98236	7-19	10	L98249	7-15	37	L98271	7-17	21
L98196	7-8	09	L98237	7-15	30	L98250	7-19	03	L98272	7-19	02
L98197	7-7	20	L98237	7-17	17	L98250	7-15	38	L98274	7-19	23
L98198	7-8	11	L98237	7-15	08	L98250	7-17	03	L98275	7-19	42
L98199	7-8	12	L98237	7-19	12	L98251	7-15	39	L98276	7-3	46
L98200	7-8	13	L98237	7-19	34	L98252	7-15	40	L98276	7-19	46
L98201	7-8	14	L98238	7-15	09	L98253	7-19	47	L98277	7-19	49
L98202	7-8	15	L98238	7-17	16	L98253	7-3	41	L98277	7-3	49
L98203	7-8	16	L98238	7-19	33	L98253	7-3	48	L98278	7-21	01
L98204	7-8	17	L98238	7-15	29	L98253	7-19	44	L98279	7-21	02
L98205	7-8	18	L98238	7-19	13	L98253	7-3	43	L98281	7-21	06
L98206	7-7	19	L98239	7-19	14	L98253	7-15	48	L98281	7-21	13
L98211	7-9	07	L98239	7-17	15	L98253	7-19	45	L98282	7-21	07
L98212	7-9	06	L98239	7-15	10	L98253	7-15	46	L98282	7-17	26
L98214	7-11	03	L98239	7-19	32	L98253	7-15	43	L98282	7-21	12
L98215	7-11	04	L98239	7-15	28	L98253	7-3	48	L98283	7-21	17
L98216	7-11	05	L98240	7-15	11	L98253	7-15	41	L98284	7-3	18
L98217	7-7	35	L98240	7-17	14	L98253	7-19	48	L98284	7-21	18
L98218	7-7	36	L98240	7-19	31	L98253	7-3	47	L98285	7-23	16
L98219	7-11	06	L98240	7-15	27	L98253	7-3	44	L98287	7-22	04
L98220	7-11	07	L98240	7-19	15	L98253	7-3	45	L98288	7-23	02
L98228	7-13	01	L98241	7-19	30	L98253	7-3	46	L98289	7-23	08
L98229	7-13	02	L98241	7-15	26	L98254	7-15	47	L98290	7-23	15
L98230	7-13	03	L98241	7-15	12	L98254	7-3	42	L98291	7-25	01
L98231	7-13	04	L98241	7-17	13	L98254	7-3	47	L98291	7-15	19
L98232	7-13	05	L98241	7-19	16	L98254	7-15	42	L98292	7-25	02
L98233	7-13	08	L98242	7-15	25	L98255	7-3	45	L98293	7-25	03
L98235	7-17	20	L98242	7-17	12	L98255	7-15	45	L98294	7-25	04
L98235	7-19	35	L98242	7-19	17	L98257	7-17	01	L98295	7-25	05
L98235	7-19	06	L98242	7-15	13	L98257	7-19	01	L98297	7-25	07
L98235	7-19	08	L98242	7-19	29	L98258	7-17	02	L98298	7-25	08
L98235	7-19	40	L98243	7-17	11	L98260	7-19	41	L98300	7-25	10
L98235	7-19	38	L98243	7-15	24	L98260	7-17	05	L98301	7-25	11

***Numerical Index***

<b>Part No.</b>	<b>Page No.</b>	<b>Ref. No.</b>	<b>Part No.</b>	<b>Page No.</b>	<b>Ref. No.</b>	<b>Part No.</b>	<b>Page No.</b>	<b>Ref. No.</b>
L98302	7-25	12	L98968	7-19	43	L99282	7-22	05
L98304	7-25	14	L98970	7-22	02	L99283	7-5	02
L98305	7-25	17	L98970	7-23	17	L99283	7-7	16
L98307	7-25	21	L98996	7-25	06	L99283	7-5	01
L98307	7-25	19	L99012	7-7	18	L99283	7-5	06
L98308	7-25	20	L99013	7-7	19	L99283	7-7	11A
L98310	7-25	29	L99018	7-7	38	L99284	7-7	11B
L98311	7-25	28	L99018	7-7	32	L99284	7-5	06A
L98312	7-25	27	L99020	7-11	08	L99284	7-7	16A
L98313	7-25	26	L99020	7-11	11	L99284	7-5	02A
L98314	7-25	30	L99023	7-11	09	L99284	7-5	01A
L98315	7-25	30A	L99025	7-11	10	L99285	7-5	12
L98317	7-26	05	L99027	7-11	12	L99286	7-5	05
L98734	7-7	40	L99029	7-5	14	L99287	7-8	05
L98735	7-7	41	L99029	7-7	33	L99287	7-7	01
L98924	7-7	13	L99029	7-7	39	L99287	7-7	12
L98926	7-7	06	L99029	7-7	31	L99287	7-7	42
L98927	7-7	07	L99029	7-5	11	L99288	7-7	02A
L98927	7-7	28	L99029	7-11	13	L99288	7-15	16
L98929	7-7	14	L99029	7-5	09	L99289	7-7	03
L98930	7-7	14A	L99029	7-5	07	L99290	7-7	05
L98931	7-7	29	L99029	7-7	43	L99290	7-15	22
L98932	7-7	30	L99030	7-26	02	L99291	7-7	08
L98935	7-7	37	L99031	7-13	07			
L98938	7-5	04	L99032	7-13	06			
L98942	7-9	01	L99033	7-26	01			
L98942	7-9	05	L99034	7-25	15			
L98943	7-9	02	L99035	7-25	16			
L98944	7-9	03	L99036	7-25	18			
L98945	7-9	04	L99038	7-19	20			
L98947	7-9	08	L99038	7-19	26			
L98948	7-11	01	L99039	7-17	23			
L98949	7-11	02	L99040	7-22	01			
L98950	7-11	15	L99041	7-22	03			
L98951	7-11	16	L99043	7-22	06			
L98952	7-11	17	L99045	7-7	34			
L98953	7-11	18	L99184	7-11	14			
L98954	7-11	19	L99246	7-7	04			
L98955	7-13	09	L99246	7-7	11			
L98955	7-3	09	L99246	7-5	03			
L98957	7-25	06A	L99249	7-5	02B			
L98958	7-25	09	L99251	7-7	20			
L98959	7-25	13	L99253	7-7	26			
L98960	7-25	31	L99260	7-5	08			
L98962	7-3	44	L99260	7-5	10			
L98962	7-15	44	L99261	7-5	13			
L98964	7-17	04	L99262	7-5	15			
L98964	7-19	05	L99269	7-7	23			
L98965	7-17	31	L99270	7-7	27			
L98965	7-3	31	L99270	7-3	32			
L98968	7-3	43	L99274	7-7	09			

**GEHL® CONSTRUCTION**

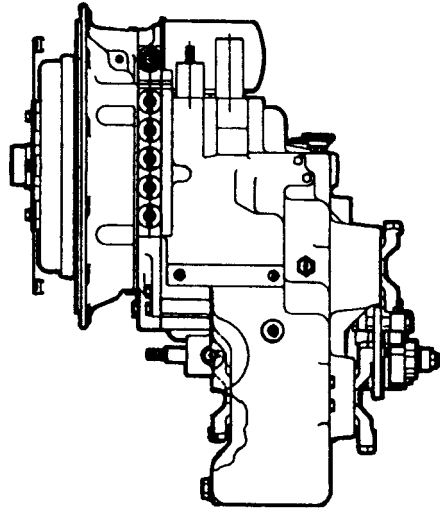
---

# **T12000**

## **Clark**

### **Transmission**

**Model No.**  
**1102-T12366-17**



# **SERVICE PARTS**



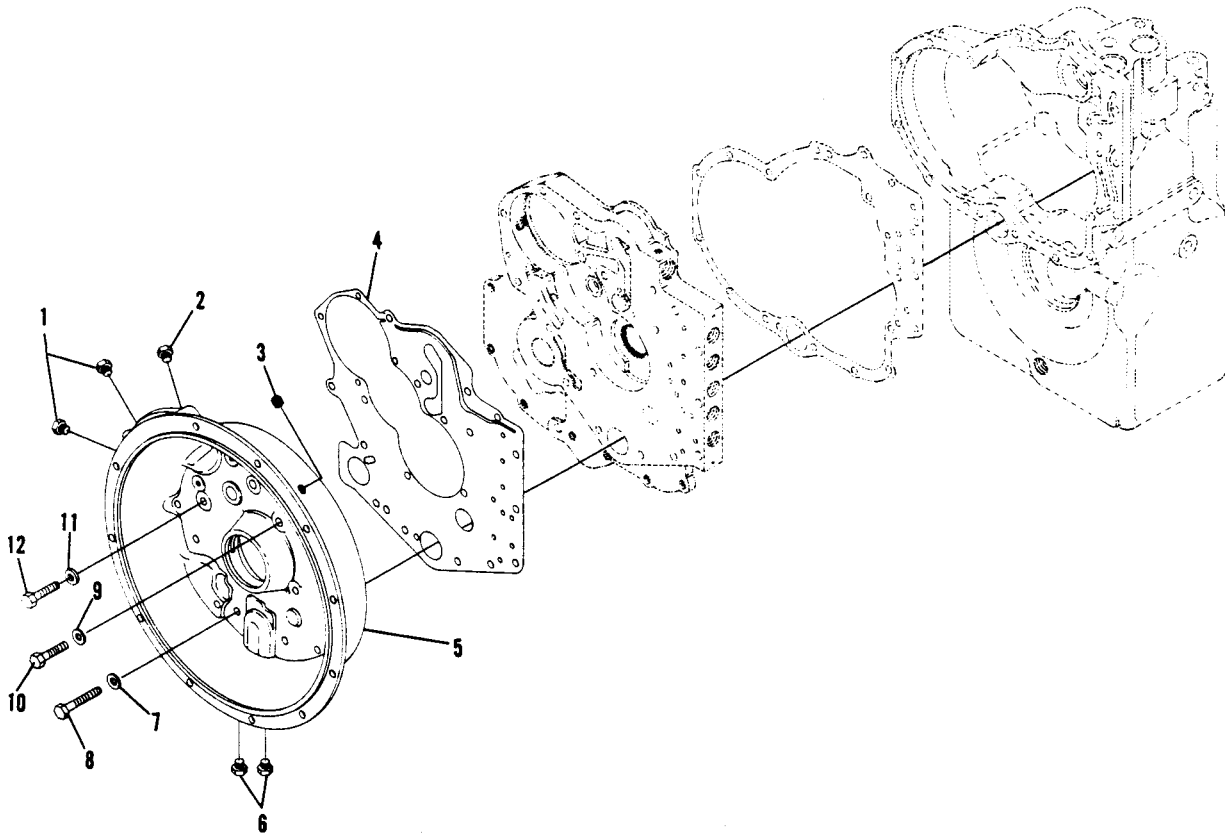
Section Contents . . . . . **8-1**  
4260770 - Special Parts Group . . . . . **8-3**  
4224702 - Converter Housing Group . . . . . **8-4**  
4224729 - Case and Plate Group . . . . . **8-6**  
4224982 - Torque Converter Group . . . . . **8-8**  
267396 - Pump Drive Group . . . . . **8-9**  
4224064 - Charge Pump Group . . . . . **8-10**  
267079 - Reverse Idler Group . . . . . **8-12**  
4224984 - Forward/Reverse Shaft Group . . . . . **8-14**  
267185 - 3rd and Output Shaft Group . . . . . **8-16**  
267082 - 1st and 2nd Shaft Group . . . . . **8-18**  
267083 - Output Shaft Group . . . . . **8-20**  
4500425 - Disc Brake Group . . . . . **8-22**  
4203421 - Brake Caliper Assembly . . . . . **8-23**  
4224059 - Electric Control With Modulation Group . . . . . **8-24**  
267086 - Drive Plate Group . . . . . **8-26**  
Numerical Index . . . . . **8-27**

**This Page Intentionally Blank**

***Special Parts Group***

<b>Ref. No.</b>	<b>Part No.</b>	<b>Description</b>	<b>Qty. Req.</b>	<b>Ref. No.</b>	<b>Part No.</b>	<b>Description</b>	<b>Qty. Req.</b>
<b>PAGE 12/13</b>				<b>PAGE 18/19</b>			
09	L98955	REV. IDLER GEAR (26T) . . . . .	1	43	L98968	1ST CLUTCH GEAR & BRG. ASY (Incl. Items 44,45) . . . . .	1
<b>PAGE 14/15</b>				44	L98253	BEARING. . . . .	1
41	L98253	REV. CLUTCH GEAR BRG. . . . .	1	45	L98253	BEARING. . . . .	1
42	L98254	REV. CLUTCH GEAR SPACER . . .	1	46	L98276	2ND CLUTCH GEAR & BRG. ASY (Incl. Items 47,48)	1
43	L98253	REV. CLUTCH GEAR BRG. . . . .	1	47	L98253	BEARING. . . . .	1
44	L98962	REV. CLUTCH GEAR. . . . .	1	48	L98253	BEARING. . . . .	1
		& BRG. ASY. (Incl. Items 41-43)		49	L98277	3RD DRIVEN GEAR (18T) . . . . .	1
45	L98255	FWD. CLUTCH GEAR . . . . .	1	<b>PAGE 20/21</b>			
		& BRG. ASY. (Incl. Items 46-48)		18	L98284	OUTPUT SHAFT GEAR (40T) . . . . .	1
46	L98253	FWD. CLUTCH GEAR BRG. . . . .	1				
47	L98254	FWD. CLUTCH GEAR SPACER. . .	1				
48	L98253	FWD. CLUTCH GEAR BRG. . . . .	1				
<b>PAGE 16/17</b>							
31	L98965	1ST DRIVE GEAR (29T) . . . . .	1				
32	L99270	3RD GEAR & OUTPUT SHAFT (46T). . . . .	1				

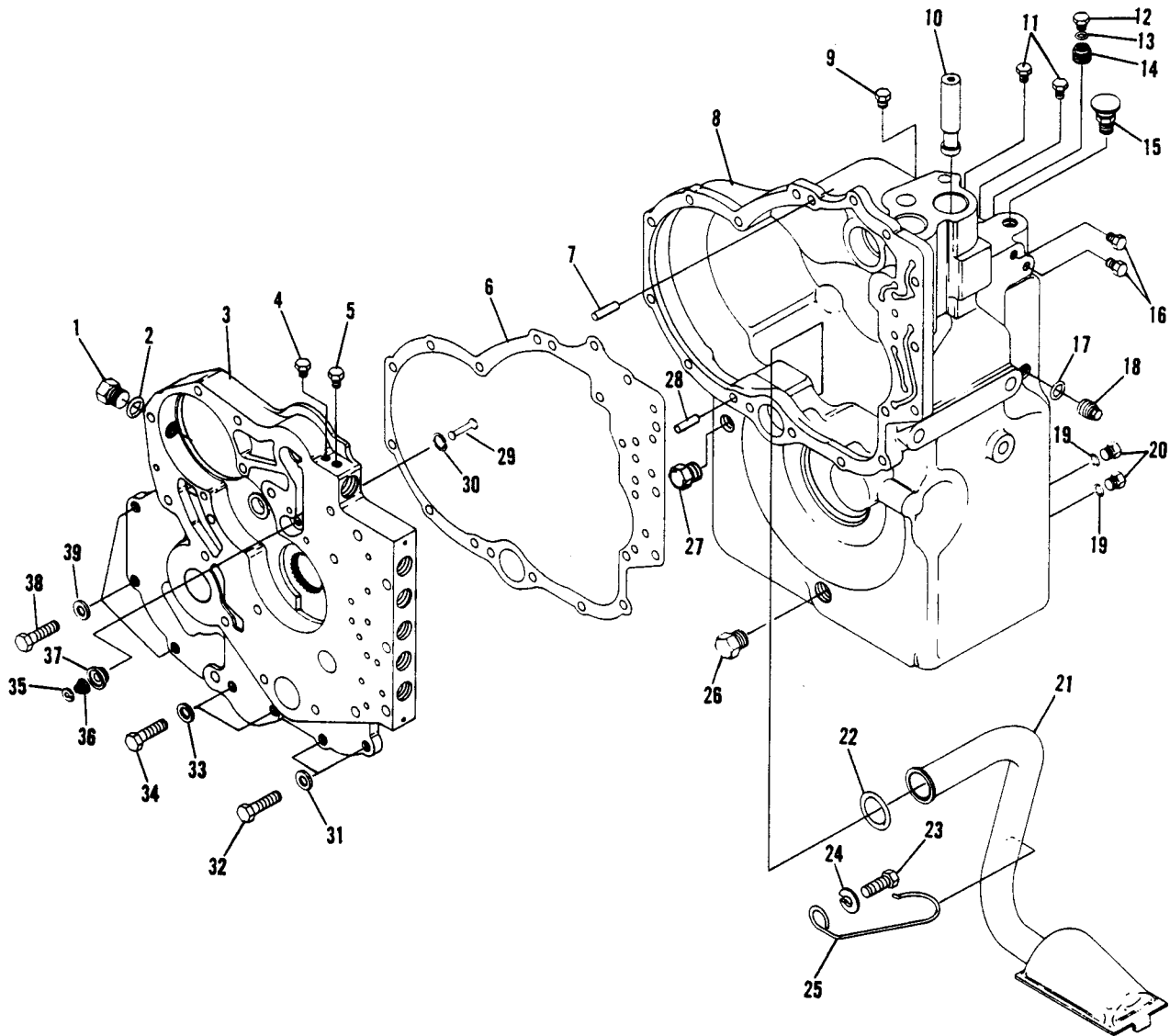
**Converter Housing Group**



***Converter Housing Group***

<b>Ref. No.</b>	<b>Part No.</b>	<b>Description</b>	<b>Qty. Req.</b>	<b>Ref. No.</b>	<b>Part No.</b>	<b>Description</b>	<b>Qty. Req.</b>
01	L99283	Plug (Hi & 3rd Port) . . . . .	2	08	L99260	Conv. Housing. to Trans.	
01A	L99284	Plug "O"Ring (N.I.) . . . . .	2			Case Screw . . . . .	13
02	L99283	Reg. Pressure Port Plug. . . . .	1	09	L99029	Conv. Housing. to Plate	
02A	L99284	Plug "O"Ring (N.I.) . . . . .	1			Screw Lockwasher . . . . .	3
02B	L99249	Plug . . . . .	1	10	L99260	Conv. Hsg. to Plate Screw . . . . .	3
03	L99246	Plug . . . . .	1	11	L99029	Conv. Hsg. to Plate . . . . .	6
04	L98938	Housing to Plate Gasket. . . . .	1			Screw Lockwasher	
05	L99286	Converter Housing . . . . .	1	12	L99285	Conv. Hsg. to Plate Screw . . . . .	6
06	L99283	Plug (1st & 2nd Port) . . . . .	2	13	L99261	Conv. Hsg. to Plate Screw (N.I.) . . . . .	1
06A	L99284	Plug "O"Ring (N.I.) . . . . .	2	14	L99029	Conv. Hsg. to Plate	
07	L99029	Conv. Hsg. to Trans. Case				Screw Lockwasher (N.I.) . . . . .	1
		Screw Lockwasher . . . . .	13	15	L99262	Check valve Bore Plug (N.I.) . . . . .	1

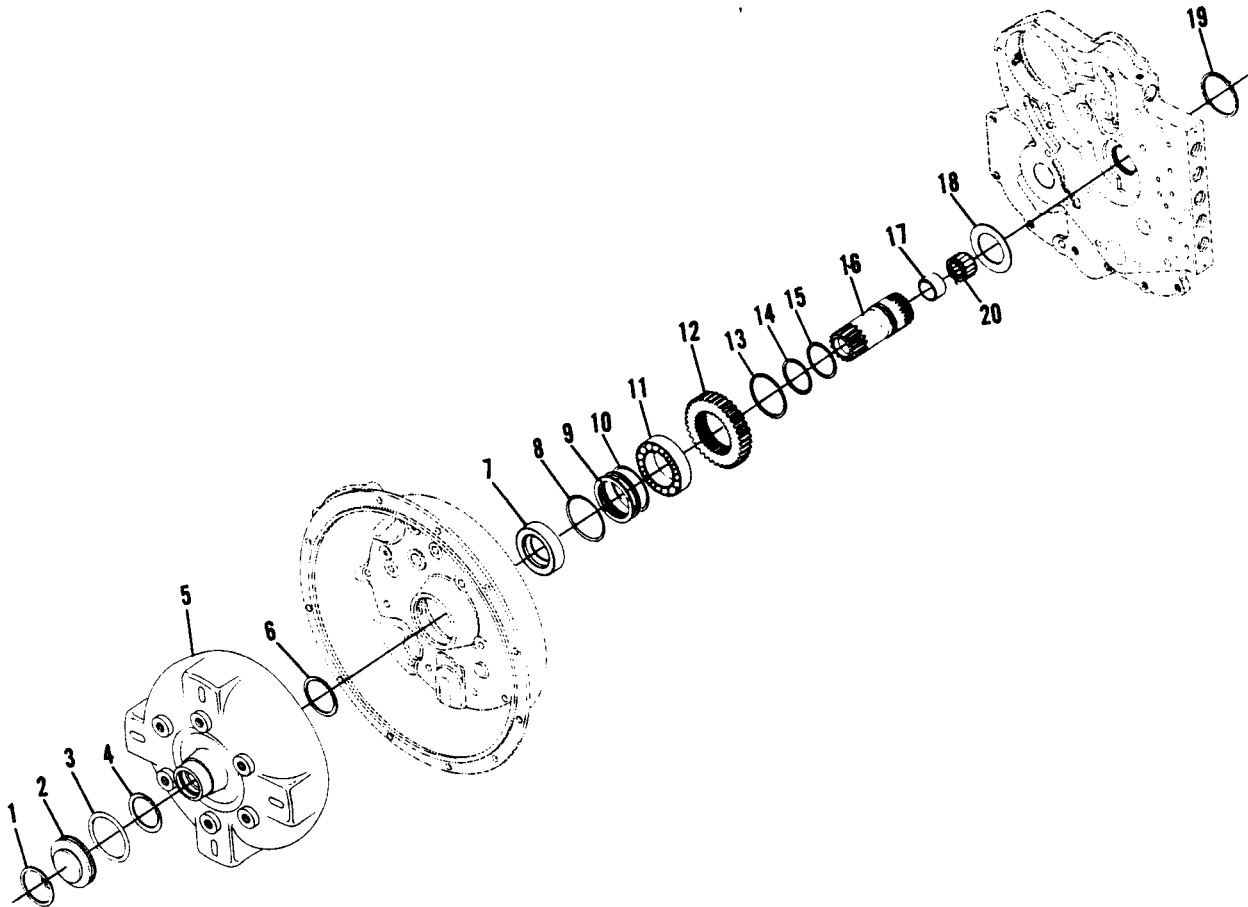
Case & Plate Group



**Case & Plate Group**

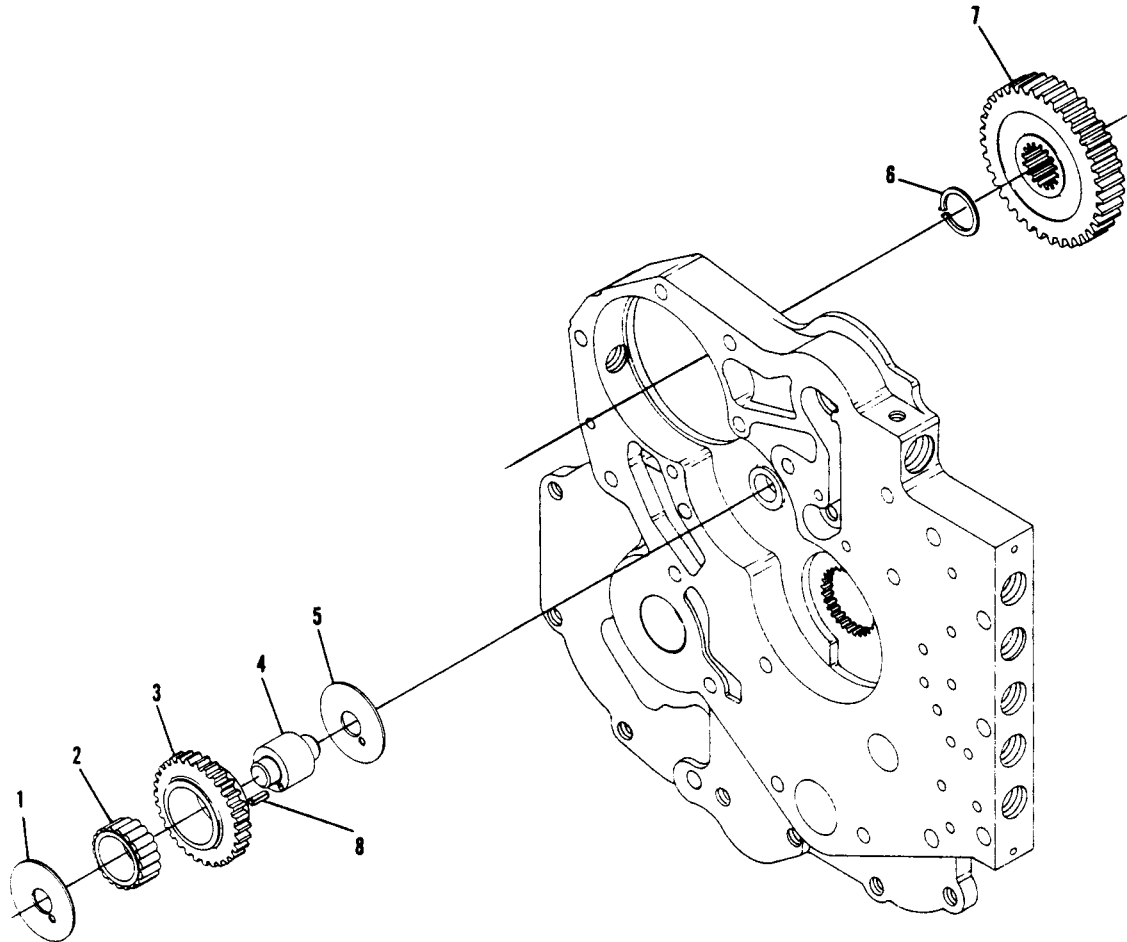
Ref. No.	Part No.	Description	Qty. Req.	Ref. No.	Part No.	Description	Qty. Req.
01	L99287	Sensor Port Plug . . . . .	1	23	L99293	Retainer Clip Screw . . . . .	1
02	L98924	Sensor "O"Ring . . . . .	1	23A	L99294	Ret. Clip Screw Seal Washer . . . . .	1
02A	L99288	Speed Sensor Screw (N.I.) . . . . .	1	24	L99295	Clip Screw Washer . . . . .	1
03	L99289	Spacer Plate . . . . .	1	24A	L99296	Clip Screw Nut . . . . .	1
04	L99246	Inlet Pressure Port Plug . . . . .	1	25	L98176	Oil Supply Tube Retainer Clip . . . . .	1
05	L99290	Outlet Temperture Port Plug . . . . .	1	26	L99253	Magnetic Drain Plug . . . . .	1
06	L98926	Plate to Transmission Case Gasket . . . . .	1	27	L99270	Drain Back Port Plug . . . . .	1
07	L98927	Plate to Transmission Case Dowel Pin . . . . .	1	28	L98927	Plate to Transmission Case Dowel Pin . . . . .	1
08	L99291	Transmission Case . . . . .	1	29	L98931	Converter Safety Valve Poppet . . . . .	1
09	L99274	Filler Plug . . . . .	1	30	L98932	Seat Snap Ring . . . . .	1
10		(Not Used)		31	L99029	Plate to Transmission Case Screw Lockwasher . . . . .	2
11	L99246	Pipe Plug . . . . .	2	32	L99018	Plate to Transmission Case Screw . . . . .	2
11A	L99283	Plug . . . . .	1	33	L99029	Plate to Transmission Case Screw Lockwasher . . . . .	2
11B	L99284	Plug "O"Ring . . . . .	1	34	L99045	Plate to Transmission Case Screw . . . . .	3
12	L99287	Speed Sensor Port Plug . . . . .	1	35	L98217	Poppet Washer . . . . .	1
13	L97564	Sensor "O" Ring . . . . .	1	36	L98218	Safety Valve Spring . . . . .	1
13A	L99288	Speed Sensor Screw (N.I.) . . . . .	1	37	L98935	Safety Valve Seat . . . . .	1
14		(Not Used)		38	L99018	Plate to Transm. Case Screw . . . . .	3
15	L94824	Air Breather . . . . .	1	39	L99029	Plate to Transsion Case Screw Lockwasher . . . . .	3
16	L99283	Plug . . . . .	2	40	L98734	Dipstick Port Plug (N.I.) . . . . .	1
16A	L99284	Plug "O"Ring (N.I.) . . . . .	2	41	L98735	Dipstick Asy. (N.I.) . . . . .	1
17		(Not Used)		42	L99287	Baffle Hole Screw (N.I.) . . . . .	1
18	L99012	Sensor Port Plug . . . . .	1	43	L99029	Baffle Hole Screw (N.I.) . . . . .	1
19	L99013	Plug "O" Ring . . . . .	2				
20	L99251	Oil Level Plug . . . . .	2				
21	L98184	Tube & Screen Assembly . . . . .	1				
22	L98185	Oil Supply Tube Seal Ring . . . . .	1				

**Torque Converter Group**



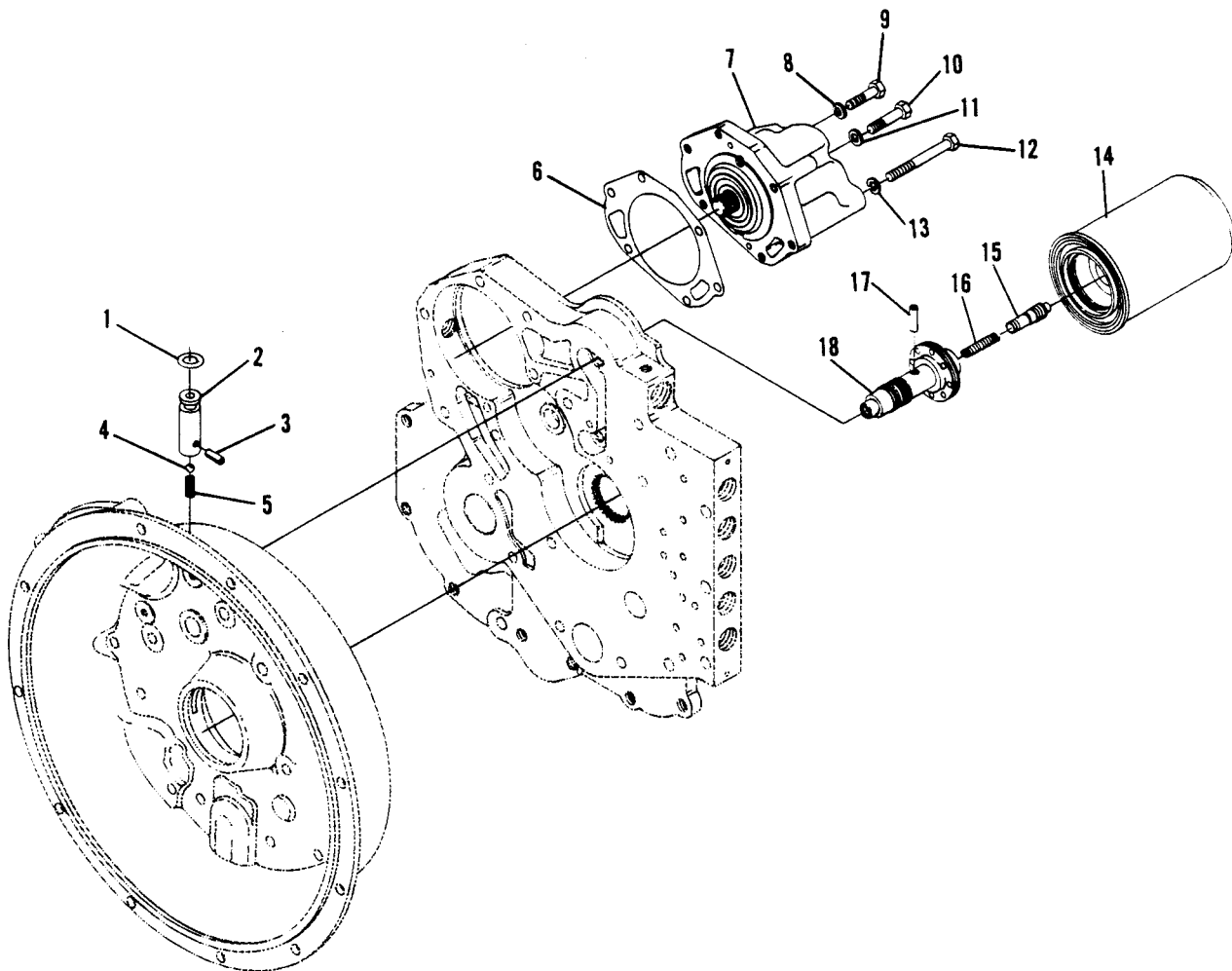
Ref. No.	Part No.	Description	Qty. Req.	Ref. No.	Part No.	Description	Qty. Req.
		Lockwasher (N.I.)	1	12	L98199	Impeller Hub Gear (35T)	1
01	L98188	Plug Snap Ring	1	13	L98200	Stator Support Snap Ring	1
02	L98189	Torque Converter Plug	1	14	L98201	Stator Support Piston Ring	1
03	L98190	Torque Converter Plug "O" Ring	1	15	L98202	Stator Support Piston Ring Expander	1
04	L98191	Impeller Hub Snap Ring	1	16	L98203	Stator Support Assy (Inc. Item 17 & 20)	1
05	L99287	Torque Converter Assy	1	17	L98204	Bushing (Inc. in Item 16)	1
06	L98191	Impeller Hub Snap Ring	1	18	L98205	Impeller Hub Gear Washer	1
07	L98194	Conv. Hsg. Oil Seal	1	19	L98206	Stator Support Snap Ring	1
08	L98195	Oil Distributor Ring "O" Ring	1	20	L98197	Bearing (Inc. In Item #16)	1
09	L98196	Oil Distributor Ring	1				
10	L98195	Oil Distributor Ring "O" Ring	1				
11	L98198	Torque Conv. Bearing	1				

**Pump Drive Group**



Ref. No.	Part No.	Description	Qty. Req.	Ref. No.	Part No.	Description	Qty. Req.
01	L98942	Pump Drive Idler Thrust Washer . . .	1	05	L98942	Pump Drive Idler Thrust Washer . . .	1
02	L98943	Idler Gear Bearing . . . . .	1	06	L98212	Pump Drive Gear Ret Snap Ring . .	1
03	L98944	Pump Drive Idler Gear (31T) . . . . .	1	07	L98211	Pump Drive Gear (34T) . . . . .	1
04	L98945	Pump Drive Idler Shaft & Pin Asy. . .	1	08	L98947	Roll Pin (Incl. in Item #4) . . . . .	1
		(Incl. Item #8)					

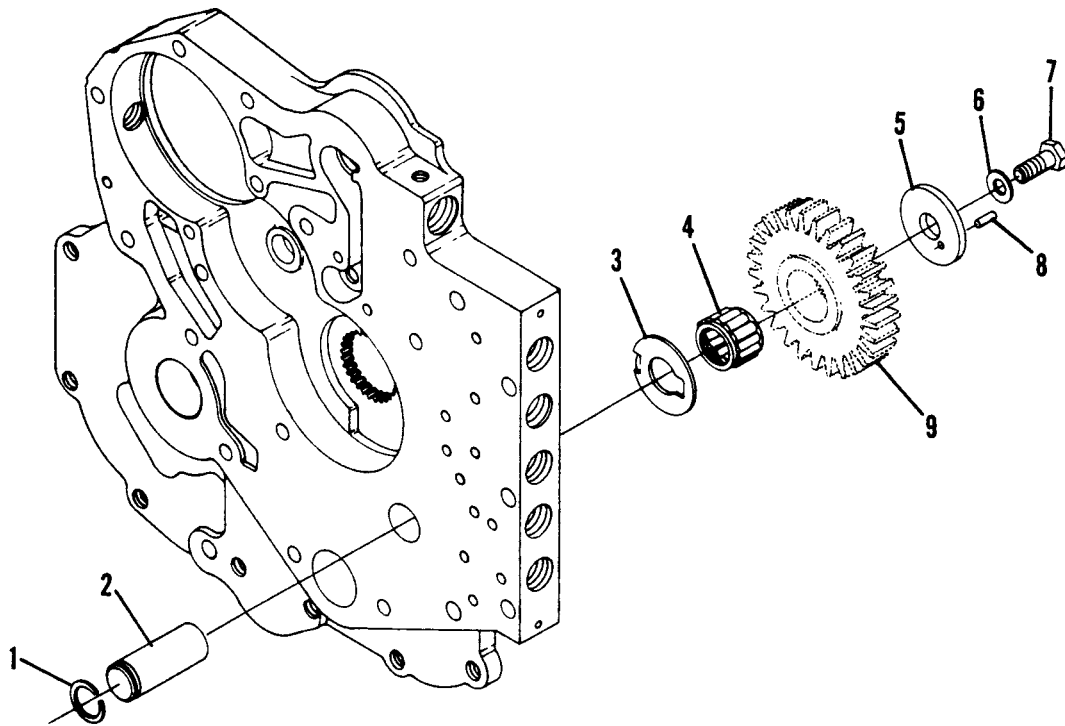
**Charge Pump w/Filter Group**



***Charge Pump w/Filter Group***

<b>Ref. No.</b>	<b>Part No.</b>	<b>Description</b>	<b>Qty. Req.</b>	<b>Ref. No.</b>	<b>Part No.</b>	<b>Description</b>	<b>Qty. Req.</b>
01	L98948	"O"Ring . . . . .	1	11	L99020	Pump Mtg. Screw Lockwasher . . . . .	4
02	L98949	Ball Check Valve Asy. . . . . (Inc. Items 1 thru 5)	1	12	L99296	Pump Mtg. Screw . . . . .	1
03	L98214	Pin . . . . .	1	13	L99029	Pump Mtg. Screw Lockwasher . . . . .	1
04	L98215	Ball . . . . .	1	14	L99184	Filter Assembly. . . . .	1
05	L98216	Spring . . . . .	1	15	L98950	Piston . . . . .	1
06	L98219	Charging Pump Gasket . . . . .	1	16	L98951	Spring . . . . .	1
07	L98220	Charging Pump . . . . .	1	17	L98952	Pin . . . . .	1
08	L99020	Pump Mtg. Screw Lockwasher . . . . .	1	18	L98953	Sleeve . . . . .	1
09	L99023	Pump Mounting Scew . . . . .	1	19	L98954	Regulator Valve Asy. . . . . (Inc. Items 15 thru 18)	1
10	L99025	Pump Mounting Screw . . . . .	4				

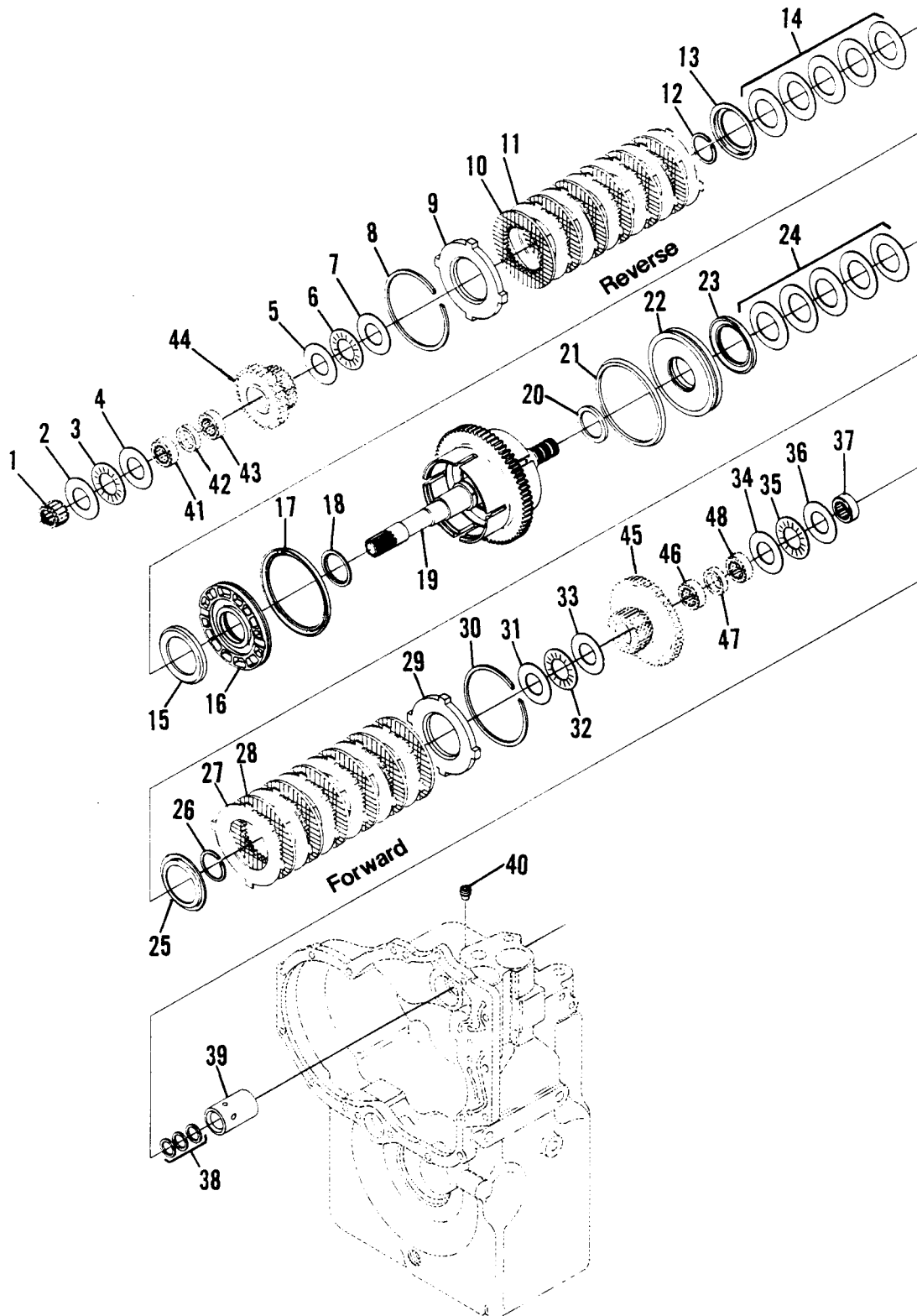
*Reverse Idler Group*



***Reverse Idler Group***

<b>Ref. No.</b>	<b>Part No.</b>	<b>Description</b>	<b>Qty. Req.</b>	<b>Ref. No.</b>	<b>Part No.</b>	<b>Description</b>	<b>Qty. Req.</b>
01	L98228	Idler Shaft Snap Ring . . . . .	1	06	L99032	End Plate Capscrew Washer . . . . .	1
02	L98229	Idler & Pilot Shaft . . . . .	1	07	L99031	Rev. Idler End Plate Capscrew . . . . .	1
03	L98230	Thrust Washer . . . . .	1	08	L98233	End Plate to Shaft Roll Pin . . . . .	1
04	L98231	Reverse Idler Gear Bearing . . . . .	1	09	L98955	Reverse Idler Gear . . . . .	1
05	L98232	End Plate . . . . .	1				

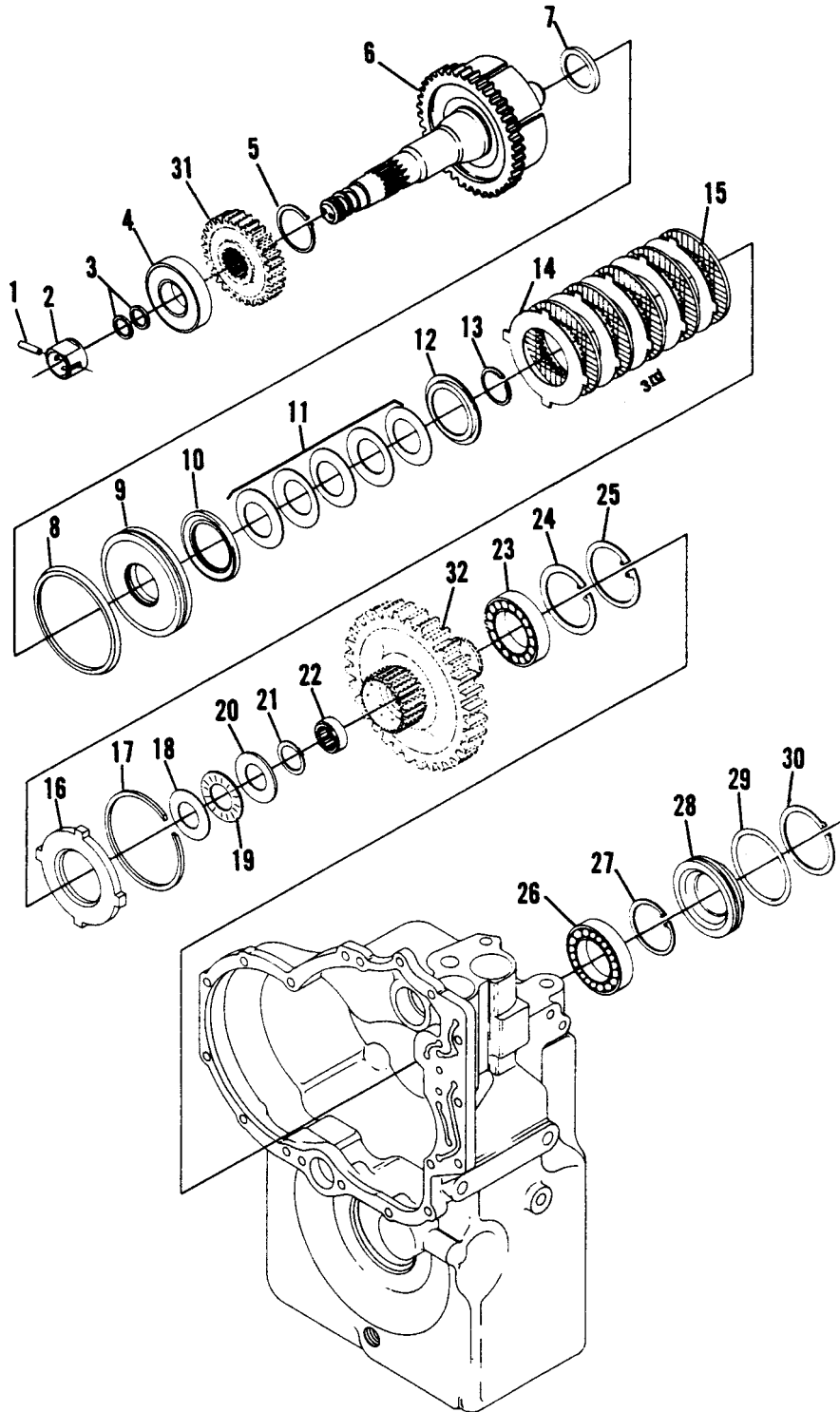
### Forward & Reverse Shaft Group



***Forward & Reverse Shaft Group***

Ref. No.	Part No.	Description	Qty. Req.	Ref. No.	Part No.	Description	Qty. Req.
01		Turbine Shaft Front Bearing <i>(See Converter Group)</i>		25	L98242	Snap Ring Retainer . . . . .	1
02	L98235	Clutch Gear Thrust Washer . . . . .	1	26	L98241	Retainer Snap Ring . . . . .	1
03	L98236	Clutch Gear Thrust Washer Brg. . . . .	1	27	L98240	Outer Disc - Forward Clutch . . . . .	6
04	L98235	Clutch Gear Thrust Washer . . . . .	1	28	L98239	Inner Disc - Forward Clutch . . . . .	6
05	L98235	Clutch Gear Thrust Washer . . . . .	1	29	L98238	End Plate . . . . .	1
06	L98236	Clutch Gear Thrust Washer Brg. . . . .	1	30	L98237	End Plate Snap Ring . . . . .	1
07	L98235	Clutch Gear Thrust Washer . . . . .	1	31	L98235	Clutch Gear Thrust Washer . . . . .	1
08	L98237	End Plate Snap Ring . . . . .	1	32	L98236	Clutch Gear Thrust Washer Brg. . . . .	1
09	L98238	End Plate . . . . .	1	33	L98235	Clutch Gear Thrust Washer . . . . .	1
10	L98239	Inner Disc-Reverse Clutch . . . . .	6	34	L98235	Clutch Gear Thrust Washer . . . . .	1
11	L98240	Outer Disc-Reverse Clutch . . . . .	6	35	L98236	Clutch Gear Thrust Washer Brg. . . . .	1
12	L98241	Retainer Snap Ring . . . . .	1	36	L98235	Clutch Gear Thrust Washer . . . . .	1
13	L98242	Snap Ring Retainer . . . . .	1	37	L98249	Thrbine Shaft Rear Bearing . . . . .	1
14	L98243	Disc Washer (Spring) Asy. . . . .	5	38	L98250	Piston Ring . . . . .	3
15	L98244	Clutch Piston Wear Plate . . . . .	1	39	L98251	Oil Distributor Sleeve . . . . .	1
16	L99278	Clutch Piston Asy. . . . . <i>(Incl. Items 17,18)</i>	1	40	L98252	Retainer Screw . . . . .	1
17	L98246	Clutch Piston Seal - Outer . . . . .	1	41	L98253	Bearing . . . . .	1
18	L98247	Clutch Piston Seal - Inner. . . . .	1	42	L98254	Spacer . . . . .	1
19	L98291	Turbine Shaft Drum & Plug Asy. . . . .	1	43	L98253	Bearing . . . . .	1
20	L98247	Clutch Piston Seal - Inner. . . . .	1	44	L98962	Rev. Clutch Gear & Brg. Asy. . . . . <i>(Incl. Items 41 thru 43)</i>	1
21	L98246	Clutch Piston Seal - Outer . . . . .	1	45	L98255	Fwd. Clutch Gear & Brg. Asy. . . . . <i>(Incl. Items 46 thru 48)</i>	1
22	L99278	Clutch Piston Asy. . . . . <i>(Incl. Items 20,21)</i>	1	46	L98253	Bearing . . . . .	1
23	L98244	Clutch Piston Wear Plate . . . . .	1	47	L98254	Spacer - <i>See Special Parts Sect.</i> . . .	1
24	L98243	Disc Washer (Spring) Asy. . . . .	5	48	L98253	Bearing - <i>See Special Parts Sect.</i> . . .	1

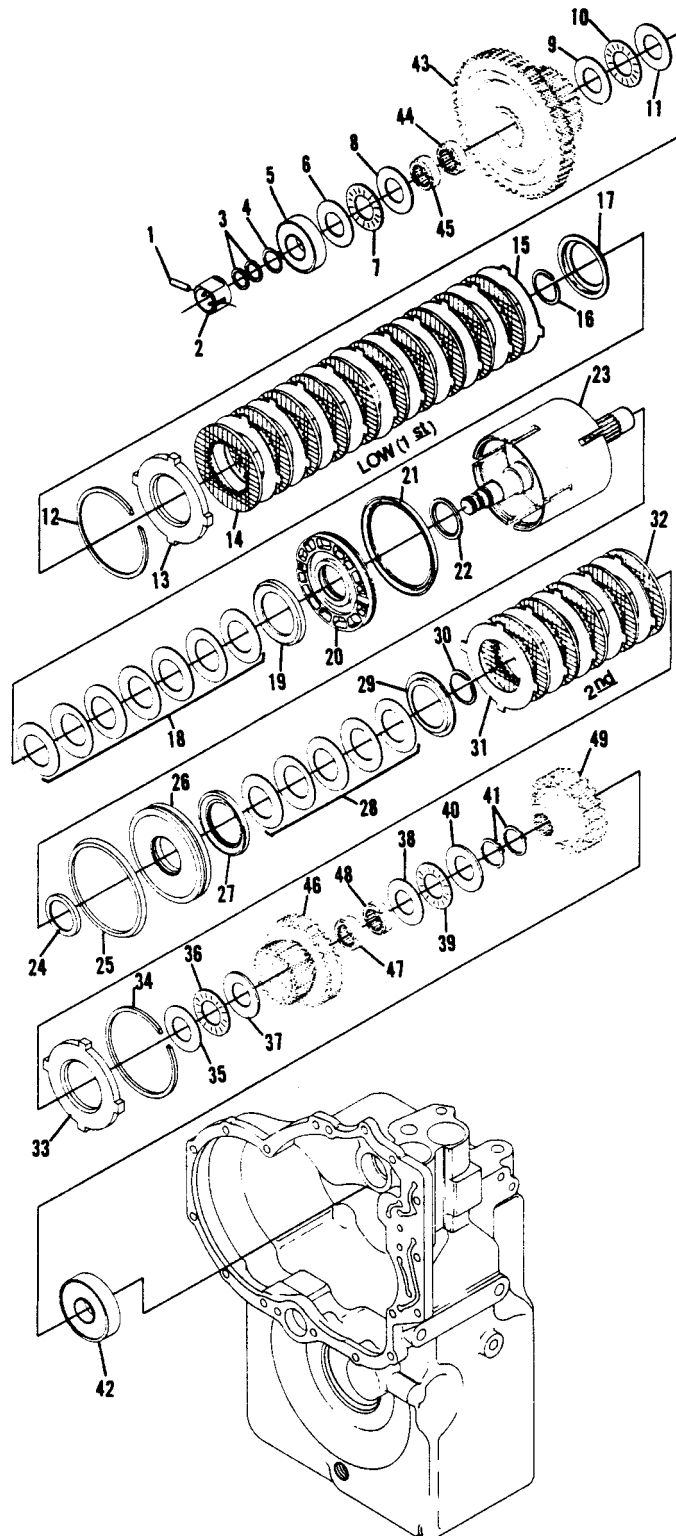
### 3rd & Output Shaft Group



***3rd & Output Shaft Group***

<b>Ref. No.</b>	<b>Part No.</b>	<b>Description</b>	<b>Qty. Req.</b>	<b>Ref. No.</b>	<b>Part No.</b>	<b>Description</b>	<b>Qty. Req.</b>
01	L98257	Sleeve Locating Screw . . . . .	1	17	L98237	End Plate Snap Ring . . . . .	1
02	L98258	Oil Distributor Sleeve . . . . .	1	18	L98235	Clutch Gear Thrust Washer . . . . .	1
03	L98250	Piston Ring . . . . .	2	19	L98236	Clutch Gear Thrust Washer Brg. . . . .	1
04	L98964	Bearing & Seal Asy. . . . .	1	20	L98235	Clutch Gear Thrust Washer . . . . .	1
05	L98260	Gear Hub Snap Ring . . . . .	1	21	L98271	Thrust Washer Ret. Snap Ring . . . . .	1
06	L98261	3rd Shaft, Drum, & Plug Asy. . . . .	1	22	L98263	3rd Clutch Gear Bearing. . . . .	1
07	L98247	Clutch Piston Inner Seal . . . . .	1	23	L99039	Rear Bearing . . . . .	1
08	L98246	Clutch Piston Outer Seal . . . . .	1	24	L98264	Rear Bearing Ret. Snap Ring . . . . .	1
09	L99279	Clutch Piston & Ball Seat Asy. . . . .	1	25	L98264	Output Shaft Brg. Snap Ring . . . . .	1
10	L98244	Clutch Piston Wear Plate . . . . .	1	26	L98282	Output Shaft Bearing . . . . .	1
11	L98243	Disc Washer Spring Asy. . . . .	5	27	L98266	Output Shaft Brg. Ret. Snap Ring. . . . .	1
12	L98242	Snap Ring Retainer . . . . .	1	28	L99280	Plug - Capped End. . . . .	1
13	L98241	Retainer Snap Ring . . . . .	1	29	L98268	Oil Seal Sleeve "0" Ring. . . . .	1
14	L98240	Outer Disc - 3rd Clutch. . . . .	5	30	L98264	Output Shaft Brg. Snap Ring . . . . .	1
15	L98239	Inner disc - 3rd Clutch . . . . .	5	31	L98965	1st Drive Gear . . . . .	1
16	L98238	End Plate. . . . .	1	32	L98270	3rd Gear & Shaft . . . . .	1

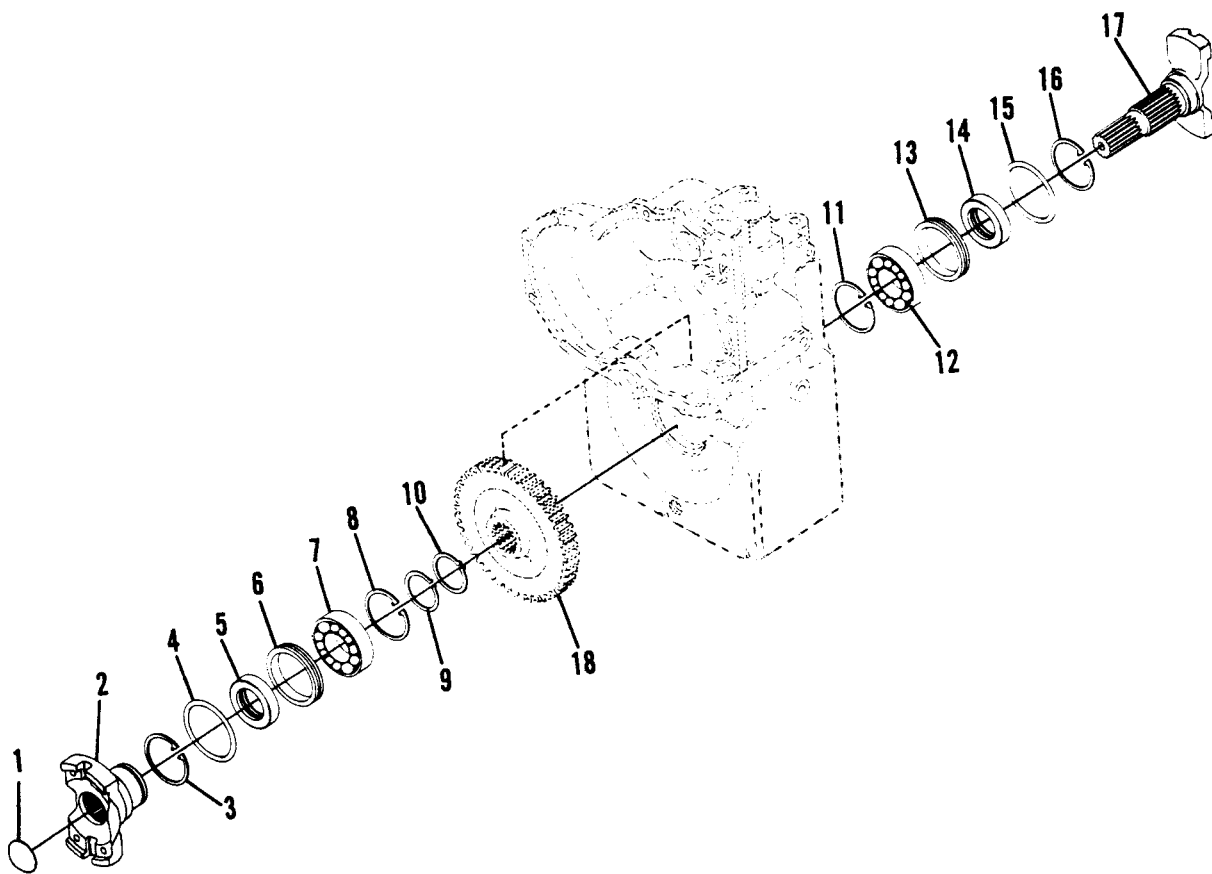
### 1st & 2nd Shaft Group



**1st & 2nd Shaft Group**

Ref. No.	Part No.	Description	Qty. Req.	Ref. No.	Part No.	Description	Qty. Req.
01	L98257	Sleeve Locating Screw . . . . .	1	27	L98244	Clutch Piston Wear Plate . . . . .	1
02	L98272	Oil Distributor Sleeve . . . . .	1	28	L98243	2nd Clutch Disc Spring Asy. . . . .	5
03	L98250	Piston Ring . . . . .	2	29	L98242	Snap Ring Retainer . . . . .	1
04		(Not Used)		30	L98241	Retainer Snap Ring . . . . .	1
05	L98964	Bearing & Seal Asy. . . . .	1	31	L98240	Outer Disc - 2nd Clutch . . . . .	5
06	L98235	Clutch Gear Thrust Washer . . . . .	1	32	L98239	Inner Disc - 2nd Clutch. . . . .	5
07	L98236	Clutch Gear Thrust Washer Brg. . . . .	1	33	L98238	End Plate . . . . .	1
08	L98235	Clutch Gear Thrust Washer . . . . .	1	34	L98237	End Plate Snap Ring . . . . .	1
09	L98235	Clutch Gear Thrust Washer . . . . .	1	35	L98235	Clutch Gear Thrust Washer . . . . .	1
10	L98236	Clutch Gear Thrust Washer Brg. . . . .	1	36	L98236	Clutch Gear Thrust Washer Brg. . . . .	1
11	L98235	Clutch Gear Thrust Washer . . . . .	1	37	L98235	Clutch Gear Thrust Washer . . . . .	1
12	L98237	End Plate Snap Ring . . . . .	1	38	L98235	Clutch Gear Thrust Washer . . . . .	1
13	L98238	End Plate . . . . .	1	39	L98236	Clutch Gear Thrust Washer Brg. . . . .	1
14	L98239	Inner Disc - 1st Clutch . . . . .	10	40	L98235	Clutch Gear Thrust Washer . . . . .	1
15	L98240	Outer Disc - 1st Clutch . . . . .	10	41	L98260	2nd Clutch Gear Hub Snap Ring . . . . .	2
16	L98241	Retainer Snap Ring . . . . .	1	42	L98275	Rear Bearing . . . . .	1
17	L98242	Snap Ring Retainer . . . . .	1	43	L98968	1st Clutch Gear & Brg. Asy. . . . .	1
18	L98243	1st Clutch Disc Spring Asy. . . . .	7			(Incl. Items 44,45)	
19	L98244	Clutch Piston Wear plate . . . . .	1	44	L98253	Bearing . . . . .	1
20	L99038	Clutch Piston . . . . .	1	45	L98253	Bearing . . . . .	1
21	L98246	Clutch Piston Seal - Outer . . . . .	1	46	L98276	2nd Clutch Gear & Brg. Assy. . . . .	1
22	L98247	Clutch Piston Seal - Inner. . . . .	1			(Incl. Items 47,48)	
23	L98274	1st & 2nd Shaft, Drum & Plug Asy. . . . .	1	47	L98253	Bearing . . . . .	1
24	L98247	Clutch Piston Seal - Inner. . . . .	1	48	L98253	Bearing . . . . .	1
25	L98246	Clutch Piston Seal - Outer . . . . .	1	49	L98277	3rd Driven Gear . . . . .	1
26	L99038	Clutch Piston . . . . .	1			(See Special Parts Group)	

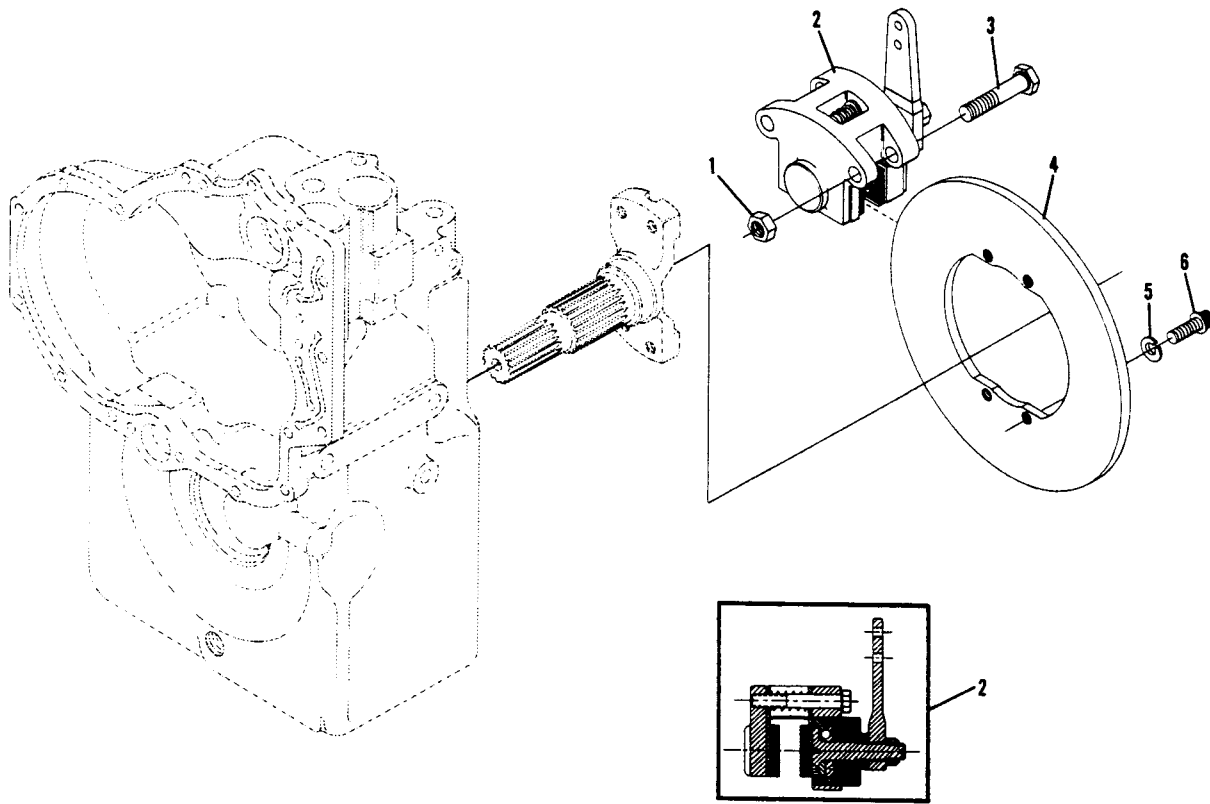
*Output Shaft Group*



***Output Shaft Group***

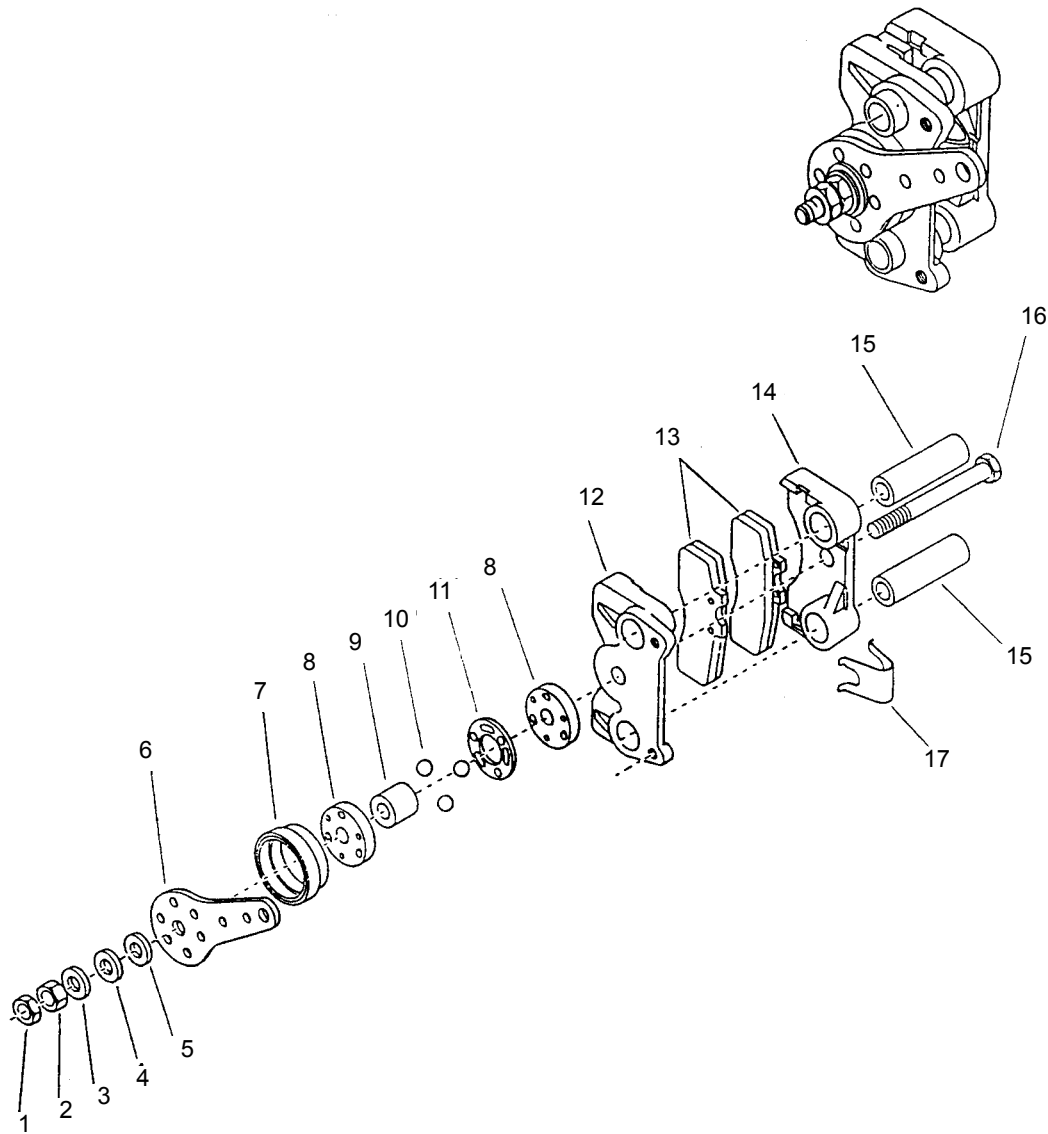
<b>Ref. No.</b>	<b>Part No.</b>	<b>Description</b>	<b>Qty. Req.</b>	<b>Ref. No.</b>	<b>Part No.</b>	<b>Description</b>	<b>Qty. Req.</b>
01	L98278	Flange Plug . . . . .	1	10	L98266	Gear Retaining Ring . . . . .	1
02	L98279	Output Flange & Plug Asy. . . . . (Inc. Item 1)	1	11	L98264	Output Shaft Brg. "O"Ring . . . . .	1
03	L98264	Output Shaft Brg. Snap Ring . . . . .	1	12	L98282	Output Shaft Bearing . . . . .	1
04	L98268	Oil Seal Sleeve "O"Ring . . . . .	1	13	L98281	Oil Seal Sleeve . . . . .	1
05	L96053	Output Shaft Oil Seal . . . . .	1	14	L96053	Output Shaft Oil Seal . . . . .	1
06	L98281	Oil Seal Sleeve . . . . .	1	15	L98268	Output Shaft Sleeve "O"Ring . . . . .	1
07	L98282	Output Shaft Bearing . . . . .	1	16	L98264	Output Shaft Brg. "O"Ring . . . . .	1
08	L98264	Output Shaft Brg. Snap Ring . . . . .	1	17	L98283	Output Shaft & Brake Flange (SC) . . . . .	1
09	L98266	Flange Retaining Ring . . . . .	1	18	L98284	Output Shaft Gear . . . . .	1

**Disc Brake Group**



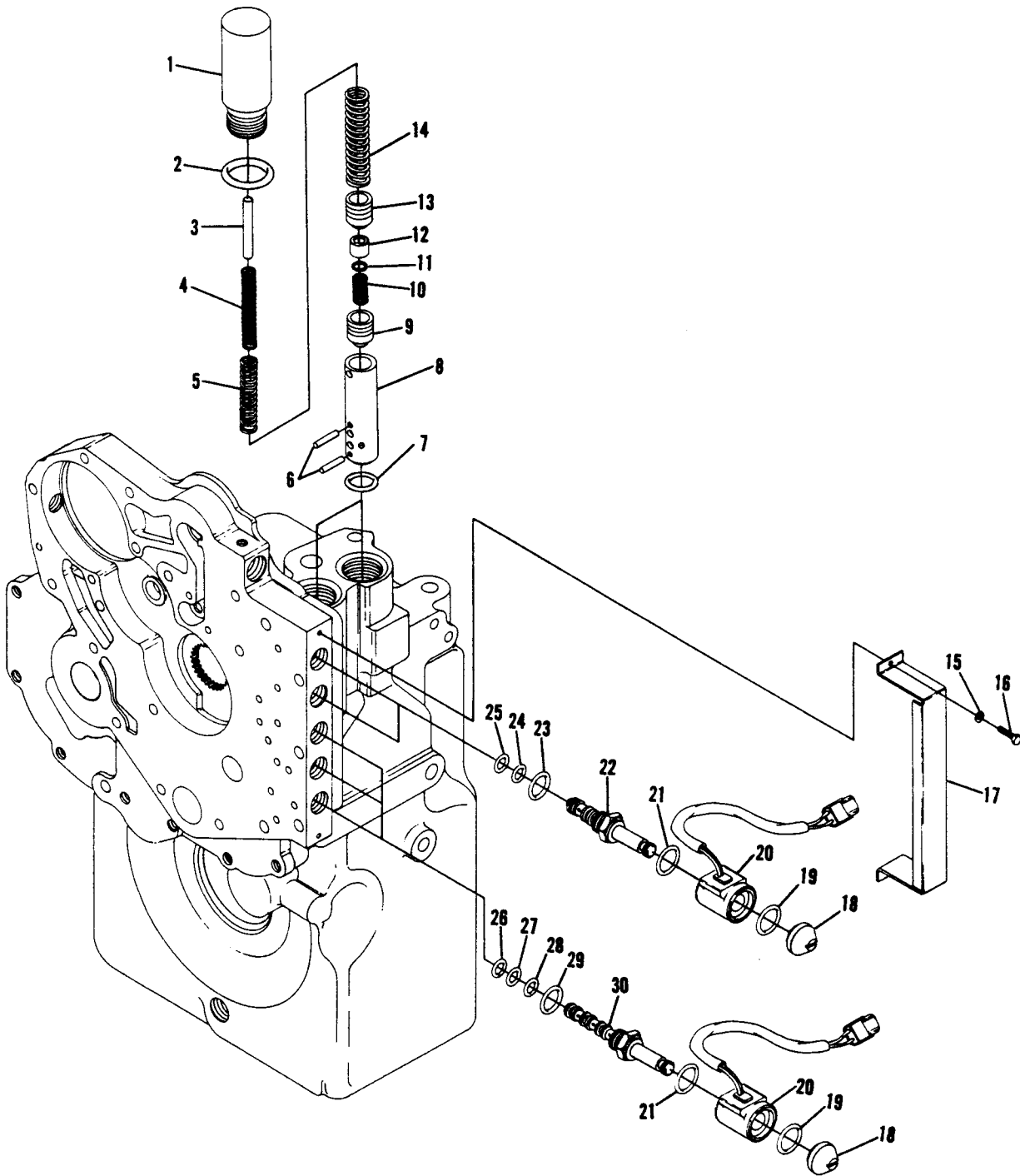
Ref. No.	Part No.	Description	Qty. Req.	Ref. No.	Part No.	Description	Qty. Req.
01	L99040	Caliper Asy. Capscrew Lock Nut . . .	2	04	L98287	Brake Disc . . . . .	1
02	L99297	Caliper Brake Asy. (See Parts List) .	1	05	L99282	Brake Disc Capscrew Lockwasher .	4
03	L99298	Caliper Assy. Mtg. Capscrew . . . . .	2	06	L99043	Brake Disc Capscrew . . . . .	4

### Brake Caliper Assembly



Ref. No.	Part No.	Description	Qty. Req.	Ref. No.	Part No.	Description	Qty. Req.
01	L99299	Jam Adjust. Nut . . . . .	1	13	NSS	Carrier & Lining Asy (See Item 19 or 20)	
02	L99300	Adjusting Nut . . . . .	1	14	NSS	Torque Plate Rear (Part of Item 18)	
03	L99301	Hardened Washer . . . . .	1	15	L99307	Mounting Sleeve . . . . .	2
04	L99302	Stainless Steel Washer . . . . .	1	16	L99308	Adjusting Bolt . . . . .	1
05	NSS	Thrust Washer (See Item 20)		17	NSS	Spring (See Item 19 or 20) (Incl. Items 1 thru 14)	
06	L99303	Lever . . . . .	1	18	L99297	Brake Asy. (Incl. Items 1-17) . . . . .	1
07	NSS	Boot (See Item 20)		19	L99309	Lining Kit (Incl. Items 13,17) . . . . .	1
08	L99304	Cam . . . . .	1	20	L99310	Hdwr. Parts Kit . . . . .	1
09	NSS	Id. Seal (See Item 20)				(Incl. Items 5,7,9 & 19)	
10	L99305	Ball . . . . .	3				
11	L99306	Plastic Retainer . . . . .	1				
12	NSS	Torque Plate Front (Part of Item 18)					

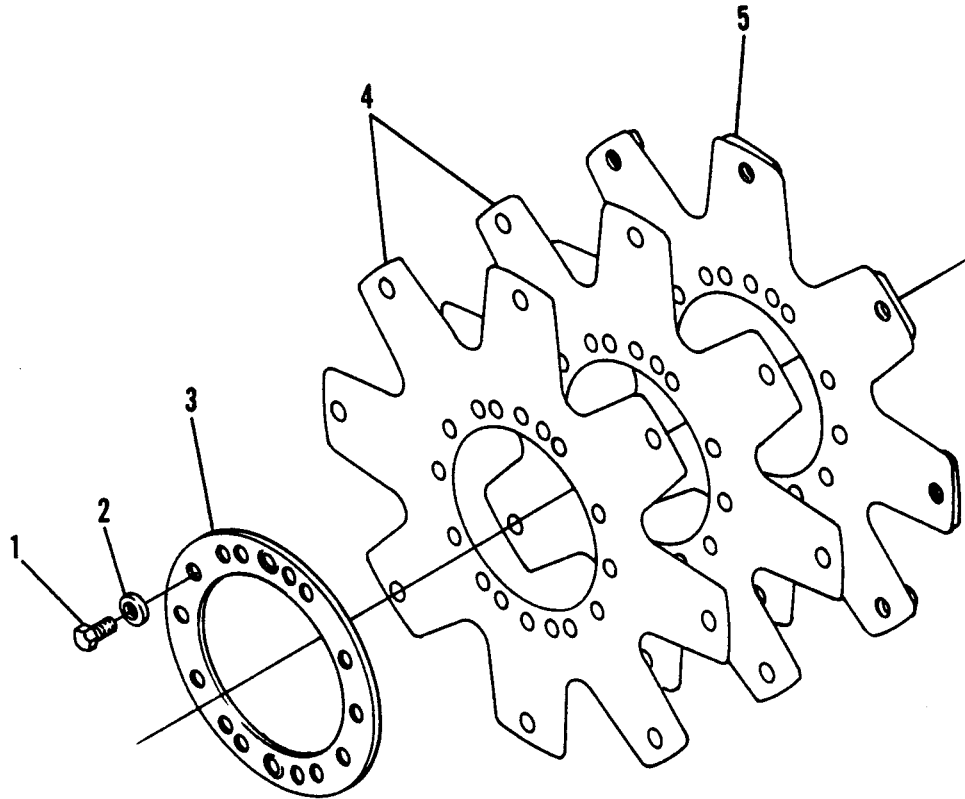
**Electric Control w/Modulation Group**



***Electric Control w/Modulation Group***

<b>Ref. No.</b>	<b>Part No.</b>	<b>Description</b>	<b>Qty. Req.</b>	<b>Ref. No.</b>	<b>Part No.</b>	<b>Description</b>	<b>Qty. Req.</b>
01	L98291	Modulator Valve Housing . . . . .	1	20	L98308	Solenoid Coil - 12 Volt . . . . .	4
02	L98292	Modulator Housing "O" Ring . . . . .	1	21	L98307	Coil to Cartridge "O"Ring . . . . .	4
03	L98293	Stop Pin . . . . .	1	22		<i>(Not Used - See Item 30)</i>	
04	L98294	Spring - Inner . . . . .	1	23		<i>(Not Used - See Item 29)</i>	
05	L98295	Spring - Middle . . . . .	1	24		<i>(Not Used - See Item 28)</i>	
06	L98956	Upper Pin . . . . .	2	25		<i>(Not Used - See Item 27)</i>	
6A	L98957	Lower Pin . . . . .	2	26	L98313	Cartridge "O"Ring . . . . .	3
07	L98297	Sleeve "O"Ring . . . . .	1	27	L98312	Cartridge "O"Ring . . . . .	2
08	L98298	Modulation Housing Sleeve . . . . .	1	28	L98311	Cartridge "O"Ring . . . . .	3
09	L98958	Regulator Spool . . . . .	1	29	L98310	Cartridge "O"Ring . . . . .	3
10	L98300	Spring . . . . .	1	30	L98314	Valve Cartridge, 4 Way . . . . .	2
11	L98301	Spring Spacer . . . . .	1			Used at 1st & 2nd - 3rd	
12	L98302	Spring Retainer . . . . .	1			(Incl. Items 26-29)	
13	L98303	Accumulator Spool . . . . .	1	30A	L98315	Solenoid Bore Plug . . . . .	1
14	L98304	Spring - Outer . . . . .	1			Used at Fwd.-Hi & Low	
15	L99034	Cover Screw Lockwasher . . . . .	2			(Incl. (1) of Itmes 26,28,29)	
16	L99035	Cover Screw . . . . .	2	31	L98960	Spool Type Sol. Cartridge Asy	
17	L98305	Protective Cover . . . . .	1			(Incl. Item 18 thru 21[4 ea.] , 30) . .	4
18	L99036	Valve Cartridge Retainer Nut . . . . .	4	32	L99311	Monitor Valve Asy . . . . .	2
19	L98307	Nut to Coil "O, Ring . . . . .	4			(Incl. Items 1-14)	

**Drive Plate Group**



Ref. No.	Part No.	Description	Qty. Req.	Ref. No.	Part No.	Description	Qty. Req.
01	L99312	Drive Plate Mounting Screw . . . . .	6	04	NSS	Drive Plate - (Incl. In Item #5)	
02	L99030	Drive Plate Mounting Screw Lockwasher . . . . .	6	05	L98317	Drive Plate Asy. Kit (Incl. Items 1 thru 4) . . . . .	1
03	L97516	Drive Plate Backing Ring . . . . .	1				

***Numerical Index***

<b>Part No.</b>	<b>Page No.</b>	<b>Ref. No.</b>	<b>Part No.</b>	<b>Page No.</b>	<b>Ref. No.</b>	<b>Part No.</b>	<b>Page No.</b>	<b>Ref. No.</b>	<b>Part No.</b>	<b>Page No.</b>	<b>Ref. No.</b>
L94824	8-7	15	L98235	8-19	37	L98243	8-19	18	L98263	8-17	22
L96053	8-21	14	L98235	8-17	20	L98243	8-15	24	L98264	8-17	30
L96053	8-21	05	L98235	8-19	40	L98244	8-15	23	L98264	8-21	16
L97516	8-26	03	L98235	8-19	05	L98244	8-19	27	L98264	8-21	11
L97564	8-7	13	L98235	8-19	38	L98244	8-15	15	L98264	8-21	03
L98176	8-7	25	L98235	8-19	11	L98244	8-17	10	L98264	8-21	08
L98184	8-7	21	L98235	8-19	35	L98244	8-19	19	L98264	8-17	25
L98185	8-7	22	L98235	8-19	08	L98246	8-15	21	L98264	8-17	24
L98188	8-8	01	L98235	8-19	07	L98246	8-19	25	L98266	8-21	09
L98189	8-8	02	L98236	8-19	06	L98246	8-17	08	L98266	8-21	10
L98190	8-8	03	L98236	8-19	36	L98246	8-19	21	L98266	8-17	27
L98191	8-8	04	L98236	8-15	32	L98246	8-15	17	L98268	8-17	29
L98191	8-8	06	L98236	8-17	19	L98247	8-19	22	L98268	8-21	15
L98194	8-8	07	L98236	8-19	39	L98247	8-15	20	L98268	8-21	04
L98195	8-8	10	L98236	8-15	03	L98247	8-17	07	L98270	8-17	32
L98195	8-8	08	L98236	8-19	10	L98247	8-19	24	L98271	8-17	21
L98196	8-8	09	L98236	8-15	06	L98247	8-15	18	L98272	8-19	02
L98197	8-8	20	L98236	8-15	35	L98249	8-15	37	L98274	8-19	23
L98198	8-8	11	L98237	8-15	08	L98250	8-19	03	L98275	8-19	42
L98199	8-8	12	L98237	8-19	34	L98250	8-17	03	L98276	8-19	46
L98200	8-8	13	L98237	8-17	17	L98250	8-15	38	L98276	8-3	46
L98201	8-8	14	L98237	8-15	30	L98251	8-15	39	L98277	8-19	49
L98202	8-8	15	L98237	8-19	12	L98252	8-15	40	L98277	8-3	49
L98203	8-8	16	L98238	8-19	33	L98253	8-3	44	L98278	8-21	01
L98204	8-8	17	L98238	8-15	09	L98253	8-3	48	L98279	8-21	02
L98205	8-8	18	L98238	8-15	29	L98253	8-19	48	L98281	8-21	13
L98206	8-8	19	L98238	8-17	16	L98253	8-3	43	L98281	8-21	06
L98211	8-9	07	L98238	8-19	13	L98253	8-3	47	L98282	8-21	07
L98212	8-9	06	L98239	8-15	28	L98253	8-19	45	L98282	8-21	12
L98214	8-11	03	L98239	8-19	14	L98253	8-3	48	L98282	8-17	26
L98215	8-11	04	L98239	8-19	32	L98253	8-15	48	L98283	8-21	17
L98216	8-11	05	L98239	8-17	15	L98253	8-15	41	L98284	8-21	18
L98217	8-7	35	L98239	8-15	10	L98253	8-15	46	L98284	8-3	18
L98218	8-7	36	L98240	8-15	11	L98253	8-3	41	L98287	8-22	04
L98219	8-11	06	L98240	8-15	27	L98253	8-19	44	L98291	8-25	01
L98220	8-11	07	L98240	8-17	14	L98253	8-19	47	L98291	8-15	19
L98228	8-13	01	L98240	8-19	31	L98253	8-15	43	L98292	8-25	02
L98229	8-13	02	L98240	8-19	15	L98253	8-3	46	L98293	8-25	03
L98230	8-13	03	L98241	8-15	26	L98253	8-3	45	L98294	8-25	04
L98231	8-13	04	L98241	8-17	13	L98254	8-3	47	L98295	8-25	05
L98232	8-13	05	L98241	8-19	16	L98254	8-15	42	L98297	8-25	07
L98233	8-13	08	L98241	8-15	12	L98254	8-15	47	L98298	8-25	08
L98235	8-15	02	L98241	8-19	30	L98254	8-3	42	L98300	8-25	10
L98235	8-15	33	L98242	8-19	17	L98255	8-3	45	L98301	8-25	11
L98235	8-15	34	L98242	8-15	13	L98255	8-15	45	L98302	8-25	12
L98235	8-15	04	L98242	8-17	12	L98257	8-17	01	L98303	8-25	13
L98235	8-15	05	L98242	8-19	29	L98257	8-19	01	L98304	8-25	14
L98235	8-15	31	L98242	8-15	25	L98258	8-17	02	L98305	8-25	17
L98235	8-15	36	L98243	8-19	28	L98260	8-19	41	L98307	8-25	19
L98235	8-15	07	L98243	8-17	11	L98260	8-17	05	L98307	8-25	21
L98235	8-17	18	L98243	8-15	14	L98261	8-17	06	L98308	8-25	20

***Numerical Index***

<b>Part No.</b>	<b>Page No.</b>	<b>Ref. No.</b>	<b>Part No.</b>	<b>Page No.</b>	<b>Ref. No.</b>	<b>Part No.</b>	<b>Page No.</b>	<b>Ref. No.</b>
L98310	8-25	29	L99025	8-11	10	L99285	8-5	12
L98311	8-25	28	L99029	8-11	13	L99286	8-5	05
L98312	8-25	27	L99029	8-7	43	L99287	8-7	01
L98313	8-25	26	L99029	8-5	14	L99287	8-8	05
L98314	8-25	30	L99029	8-7	39	L99287	8-7	42
L98315	8-25	30A	L99029	8-5	07	L99287	8-7	12
L98317	8-26	05	L99029	8-5	11	L99288	8-7	02A
L98734	8-7	40	L99029	8-5	09	L99288	8-7	13A
L98735	8-7	41	L99029	8-7	33	L99289	8-7	03
L98924	8-7	02	L99029	8-7	31	L99290	8-7	05
L98926	8-7	06	L99030	8-26	02	L99291	8-7	08
L98927	8-7	28	L99031	8-13	07	L99293	8-7	23
L98927	8-7	07	L99032	8-13	06	L99294	8-7	23A
L98931	8-7	29	L99034	8-25	15	L99295	8-7	24
L98932	8-7	30	L99035	8-25	16	L99296	8-7	24A
L98935	8-7	37	L99036	8-25	18	L99296	8-11	12
L98938	8-5	04	L99038	8-19	26	L99297	8-23	18
L98942	8-9	01	L99038	8-19	20	L99297	8-22	02
L98942	8-9	05	L99039	8-17	23	L99298	8-22	03
L98943	8-9	02	L99040	8-22	01	L99299	8-23	01
L98944	8-9	03	L99043	8-22	06	L99300	8-23	02
L98945	8-9	04	L99045	8-7	34	L99301	8-23	03
L98947	8-9	08	L99184	8-11	14	L99302	8-23	04
L98948	8-11	01	L99246	8-5	03	L99303	8-23	06
L98949	8-11	02	L99246	8-7	04	L99304	8-23	08
L98950	8-11	15	L99246	8-7	11	L99305	8-23	10
L98951	8-11	16	L99249	8-5	02B	L99306	8-23	11
L98952	8-11	17	L99251	8-7	20	L99307	8-23	15
L98953	8-11	18	L99253	8-7	26	L99308	8-23	16
L98954	8-11	19	L99260	8-5	10	L99309	8-23	19
L98955	8-13	09	L99260	8-5	08	L99310	8-23	20
L98955	8-3	09	L99261	8-5	13	L99311	8-25	32
L98956	8-25	06	L99262	8-5	15	L99312	8-26	01
L98957	8-25	06A	L99270	8-7	27			
L98958	8-25	09	L99270	8-3	32			
L98960	8-25	31	L99274	8-7	09			
L98962	8-3	44	L99278	8-15	16			
L98962	8-15	44	L99278	8-15	22			
L98964	8-17	04	L99279	8-17	09			
L98964	8-19	04	L99280	8-17	28			
L98965	8-3	31	L99282	8-22	05			
L98965	8-17	31	L99283	8-5	01			
L98968	8-3	43	L99283	8-5	06			
L98968	8-19	43	L99283	8-7	16			
L99012	8-7	18	L99283	8-5	02			
L99013	8-7	19	L99283	8-7	11A			
L99018	8-7	38	L99284	8-7	16A			
L99018	8-7	32	L99284	8-5	01A			
L99020	8-11	11	L99284	8-5	02A			
L99020	8-11	08	L99284	8-5	06A			
L99023	8-11	09	L99284	8-7	11B			

**GEHL® CONSTRUCTION**

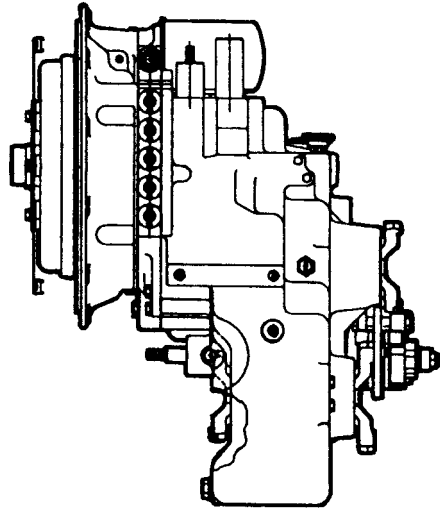
---

# **T12000**

## **Clark**

### **Transmission**

**Model No.**  
**1102T12366-21**



# **SERVICE PARTS**



**Section Contents**

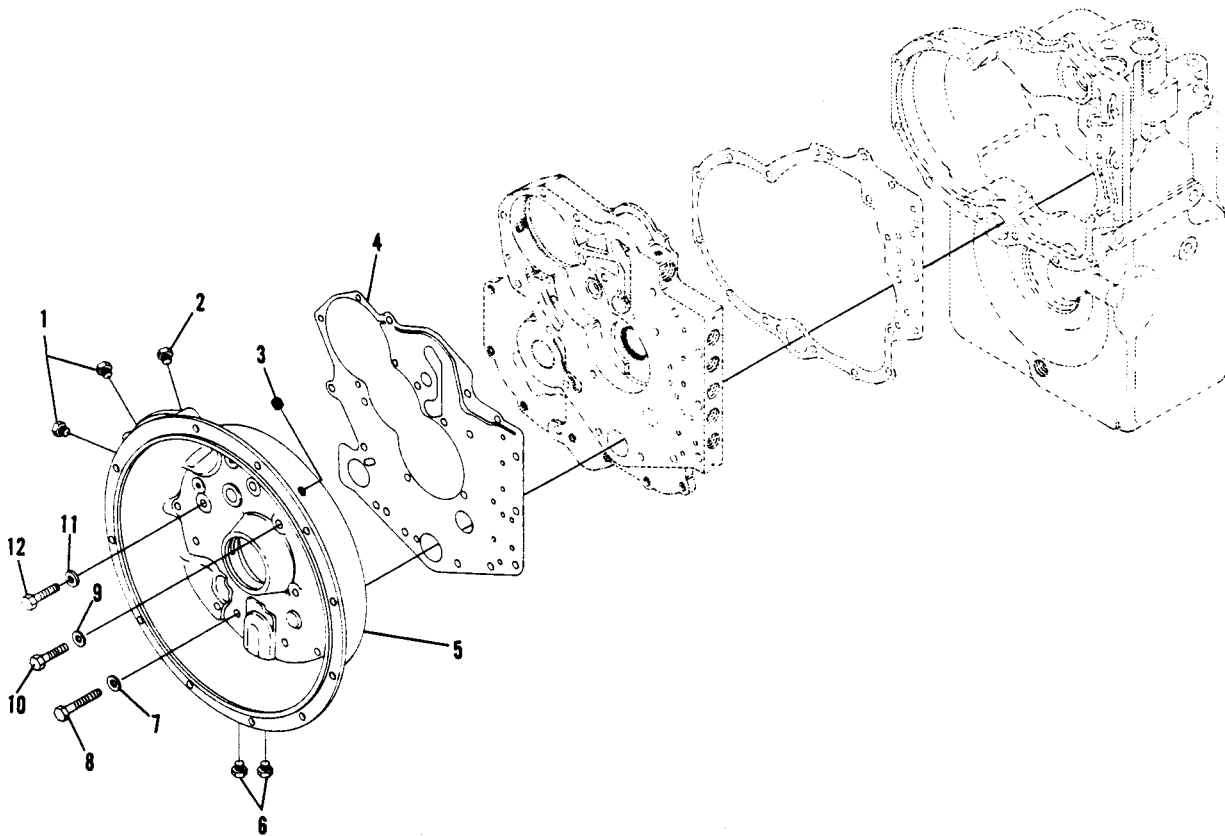
4260770 - Special Parts Group ..... **3**  
4224702 - Converter Housing Group ..... **4**  
4224729 - Case and Plate Group ..... **6**  
4224982 - Torque Converter Group ..... **8**  
267396 - Pump Drive Group ..... **9**  
4224064 - Charge Pump Group ..... **10**  
267079 - Reverse Idler Group ..... **12**  
4224984 - Forward/Reverse Shaft Group ..... **14**  
267185 - 3rd and Output Shaft Group ..... **16**  
267082 - 1st and 2nd Shaft Group ..... **18**  
4501128 - Output Shaft Group ..... **20**  
4501094 - Disc Brake Group ..... **22**  
4203421 - Brake Caliper Assembly ..... **23**  
4224059 - Electric Control With Modulation Group ..... **24**  
267086 - Drive Plate Group ..... **26**  
Numerical Index ..... **27**

**This Page Intentionally Blank**

***Special Parts Group***

Ref. No.	Part No.	Description	Qty. Req.	Ref. No.	Part No.	Description	Qty. Req.
<b>PAGE 12/13</b>				<b>PAGE 18/19</b>			
09	L98955	REV. IDLER GEAR (26T) . . . . .	1	43	L98968	1ST CLUTCH GEAR & BRG. ASY (Incl. Items 44,45) . . . . .	1
<b>PAGE 14/15</b>				44	L98253	BEARING. . . . .	1
41	L98253	REV. CLUTCH GEAR BRG. . . . .	1	45	L98253	BEARING. . . . .	1
42	L98254	REV. CLUTCH GEAR SPACER . . .	1	46	L98276	2ND CLUTCH GEAR & BRG. ASY (Incl. Items 47,48)	1
43	L98253	REV. CLUTCH GEAR BRG. . . . .	1	47	L98253	BEARING. . . . .	1
44	L98962	REV. CLUTCH GEAR. . . . .	1	48	L98253	BEARING. . . . .	1
		& BRG. ASY. (Incl. Items 41-43)		49	L98277	3RD DRIVEN GEAR (18T) . . . . .	1
45	L98255	FWD. CLUTCH GEAR . . . . .	1	<b>PAGE 20/21</b>			
		& BRG. ASY. (Incl. Items 46-48)		18	L98284	OUTPUT SHAFT GEAR (40T) . . . . .	1
46	L98253	FWD. CLUTCH GEAR BRG. . . . .	1				
47	L98254	FWD. CLUTCH GEAR SPACER. . .	1				
48	L98253	FWD. CLUTCH GEAR BRG. . . . .	1				
<b>PAGE 16/17</b>							
31	L98965	1ST DRIVE GEAR (29T) . . . . .	1				
32	L99270	3RD GEAR & OUTPUT SHAFT (46T). . . . .	1				

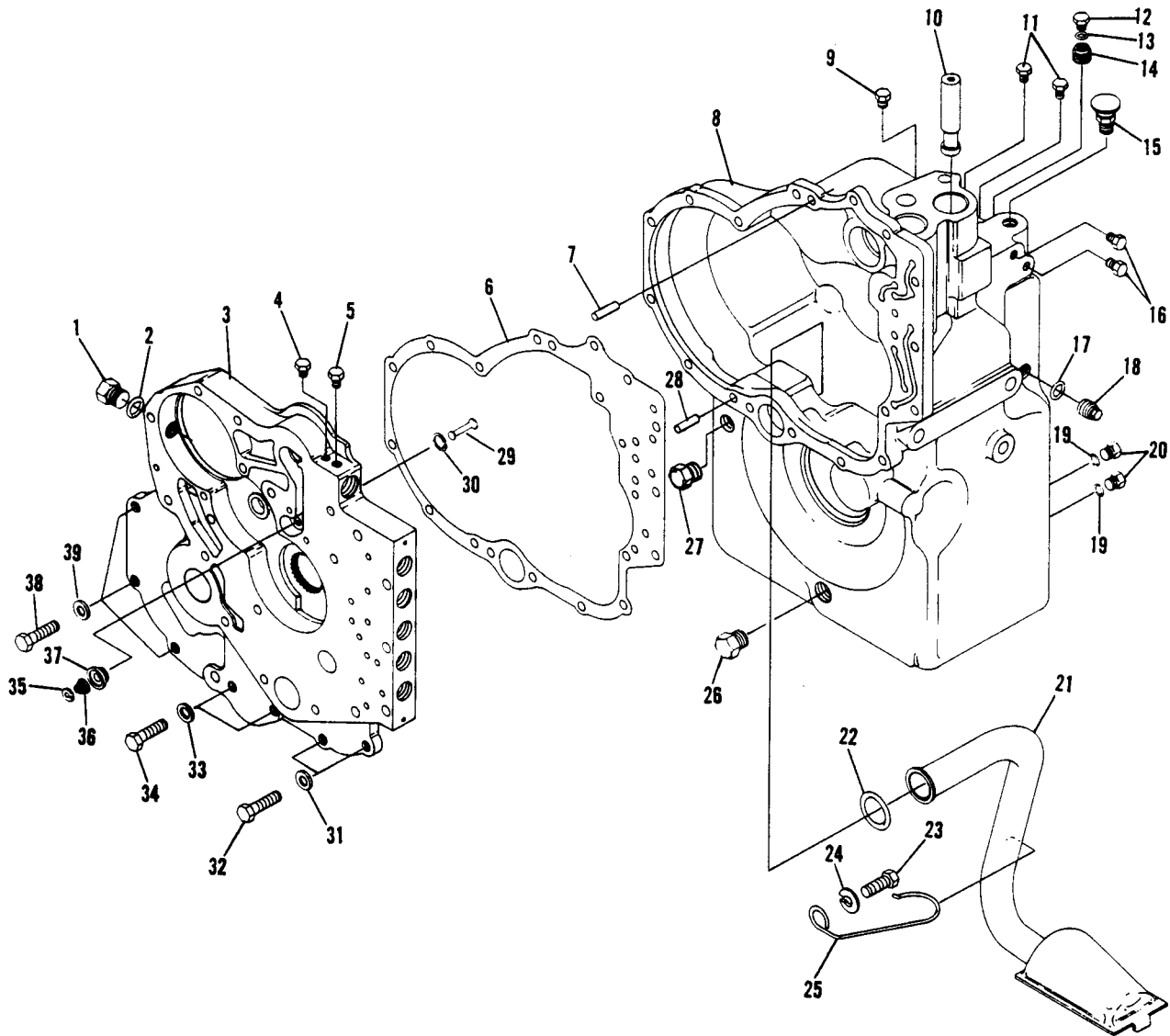
**Converter Housing Group**



***Converter Housing Group***

<b>Ref. No.</b>	<b>Part No.</b>	<b>Description</b>	<b>Qty. Req.</b>	<b>Ref. No.</b>	<b>Part No.</b>	<b>Description</b>	<b>Qty. Req.</b>
01	L99283	Plug (Hi & 3rd Port) . . . . .	2	08	L99260	Conv. Housing. to Trans.	
01A	L99284	Plug "O"Ring (N.I.) . . . . .	2			Case Screw . . . . .	13
02	L99283	Reg. Pressure Port Plug. . . . .	1	09	L99029	Conv. Housing. to Plate	
02A	L99284	Plug "O"Ring (N.I.) . . . . .	1			Screw Lockwasher . . . . .	3
02B	L99249	Plug . . . . .	1	10	L99260	Conv. Hsg. to Plate Screw . . . . .	3
03	L99246	Plug . . . . .	1	11	L99029	Conv. Hsg. to Plate . . . . .	6
04	L98938	Housing to Plate Gasket. . . . .	1			Screw Lockwasher	
05	L99286	Converter Housing . . . . .	1	12	L99285	Conv. Hsg. to Plate Screw . . . . .	6
06	L99283	Plug (1st & 2nd Port) . . . . .	2	13	L99261	Conv. Hsg. to Plate Screw (N.I.) . . . . .	1
06A	L99284	Plug "O"Ring (N.I.) . . . . .	2	14	L99029	Conv. Hsg. to Plate	
07	L99029	Conv. Hsg. to Trans. Case				Screw Lockwasher (N.I.) . . . . .	1
		Screw Lockwasher . . . . .	13	15	L99262	Check valve Bore Plug (N.I.) . . . . .	1

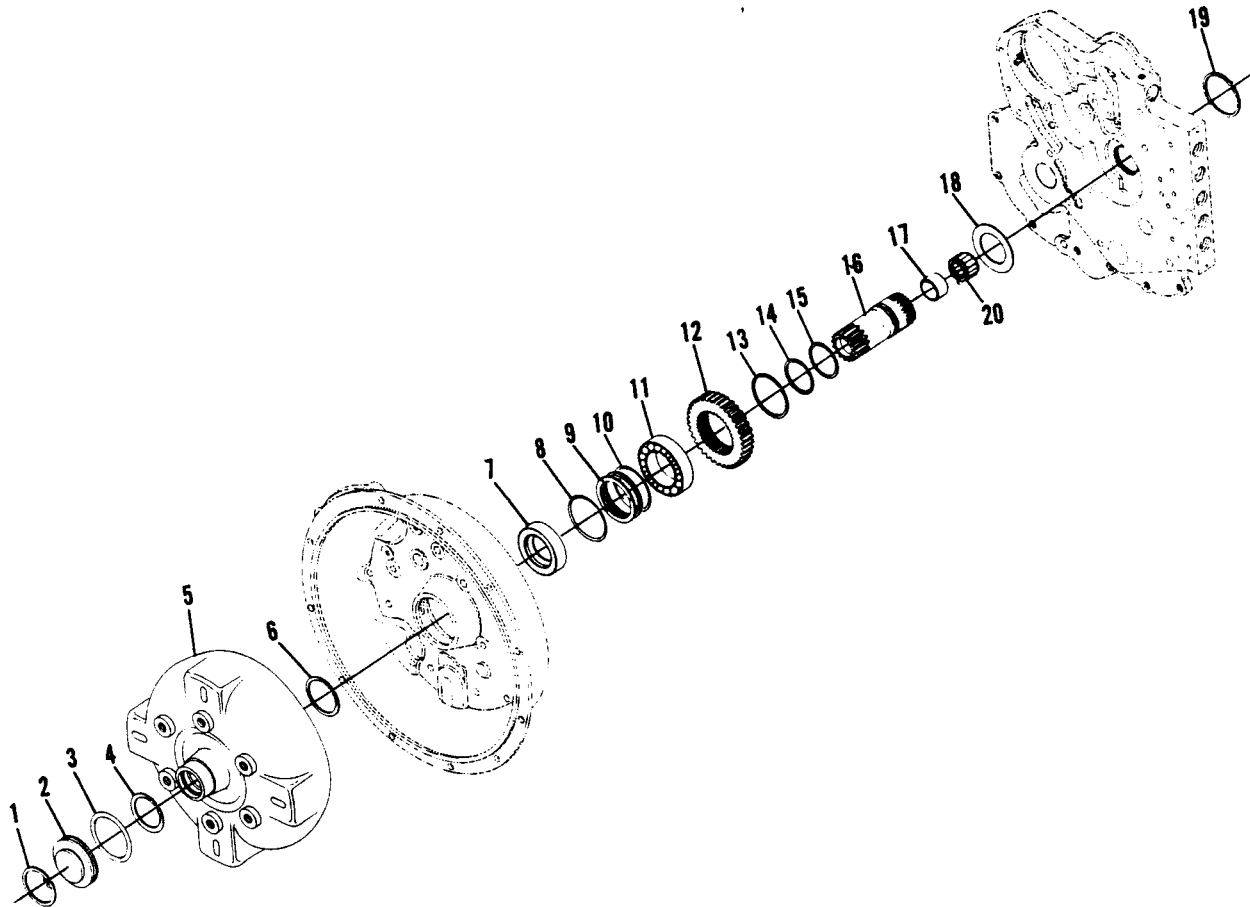
Case & Plate Group



**Case & Plate Group**

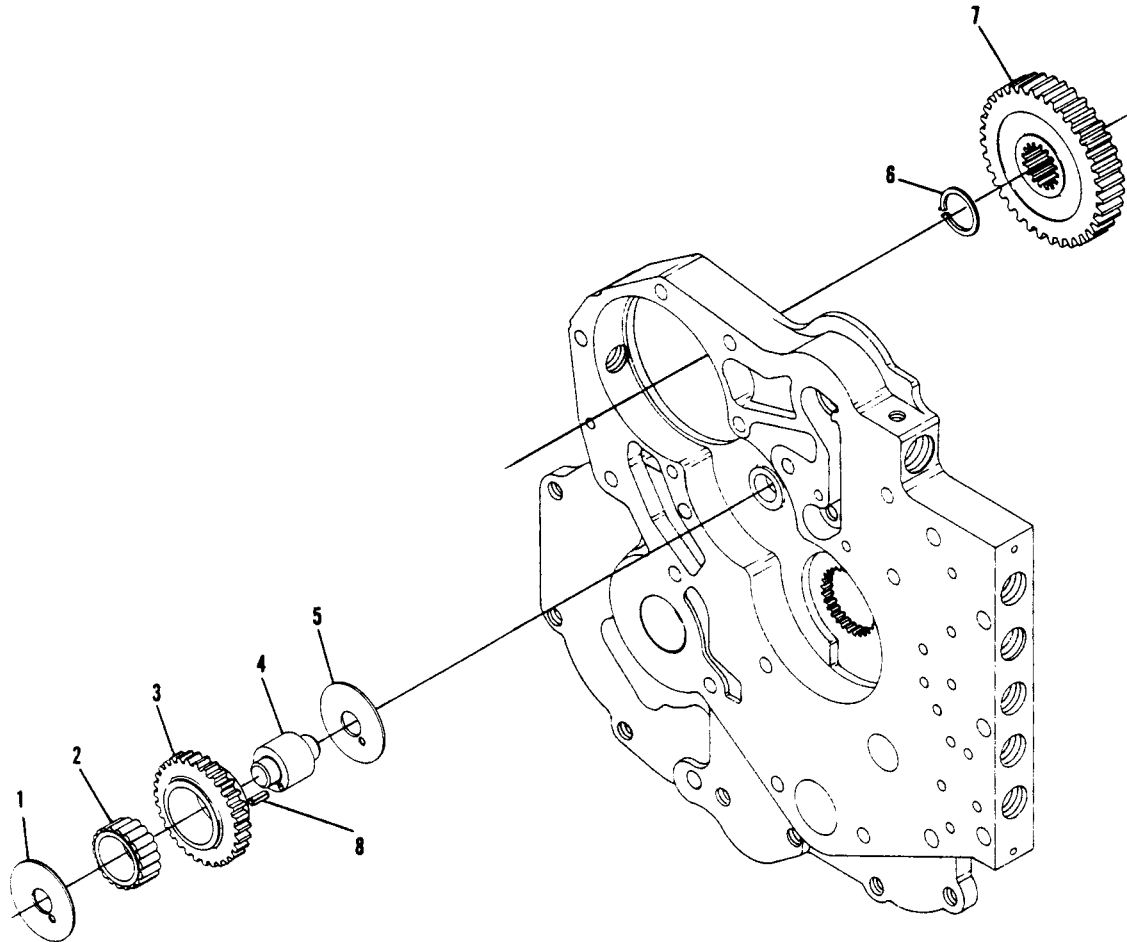
Ref. No.	Part No.	Description	Qty. Req.	Ref. No.	Part No.	Description	Qty. Req.
01	L99287	Sensor Port Plug . . . . .	1	23	L99293	Retainer Clip Screw . . . . .	1
02	L99312	Sensor "O"Ring . . . . .	1	23A	L99294	Ret. Clip Screw Seal Washer . . . . .	1
02A	L99288	Speed Sensor Screw (N.I.) . . . . .	1	24	L99295	Clip Screw Washer . . . . .	1
03	L99289	Spacer Plate . . . . .	1	24A	L99296	Clip Screw Nut . . . . .	1
04	L99246	Inlet Pressure Port Plug . . . . .	1	25	L98176	Oil Supply Tube Retainer Clip . . . . .	1
05	L99290	Outlet Temperture Port Plug . . . . .	1	26	L99253	Magnetic Drain Plug . . . . .	1
06	L98926	Plate to Transmission Case Gasket . . . . .	1	27	L99270	Drain Back Port Plug . . . . .	1
07	L98927	Plate to Transmission Case Dowel Pin . . . . .	1	28	L98927	Plate to Transmission Case Dowel Pin . . . . .	1
08	L500270	Transmission Case . . . . .	1	29	L98931	Converter Safety Valve Poppet . . . . .	1
09	L99274	Filler Plug . . . . .	1	30	L98932	Seat Snap Ring . . . . .	1
10		(Not Used)		31	L99029	Plate to Transmission Case Screw Lockwasher . . . . .	2
11	L99246	Pipe Plug . . . . .	2	32	L99018	Plate to Transmission Case Screw . . . . .	2
11A	L99283	Plug . . . . .	1	33	L99029	Plate to Transmission Case Screw Lockwasher . . . . .	2
11B	L99284	Plug "O"Ring . . . . .	1	34	L99045	Plate to Transmission Case Screw . . . . .	3
12	L99287	Speed Sensor Port Plug . . . . .	1	35	L98217	Poppet Washer . . . . .	1
13	L99312	Sensor "O" Ring . . . . .	1	36	L98218	Safety Valve Spring . . . . .	1
13A	L99288	Speed Sensor Screw (N.I.) . . . . .	1	37	L98935	Safety Valve Seat . . . . .	1
14		(Not Used)		38	L99018	Plate to Transm. Case Screw . . . . .	3
15	L94824	Air Breather . . . . .	1	39	L99029	Plate to Transsion Case Screw Lockwasher . . . . .	3
16	L99283	Plug . . . . .	2	40	L98734	Dipstick Port Plug (N.I.) . . . . .	1
16A	L99284	Plug "O"Ring (N.I.) . . . . .	2	41	L98735	Dipstick Asy. (N.I.) . . . . .	1
17		(Not Used)		42	L99287	Baffle Hole Screw (N.I.) . . . . .	1
18	L99012	Sensor Port Plug . . . . .	1	43	L99294	Baffle Hole Screw (N.I.) . . . . .	1
19	L99013	Plug "O" Ring . . . . .	2			Lockwasher Seal Washer (N.I.) . . . . .	1
20	L99251	Oil Level Plug . . . . .	2				
21	L98184	Tube & Screen Assembly . . . . .	1				
22	L98185	Oil Supply Tube Seal Ring . . . . .	1				

**Torque Converter Group**



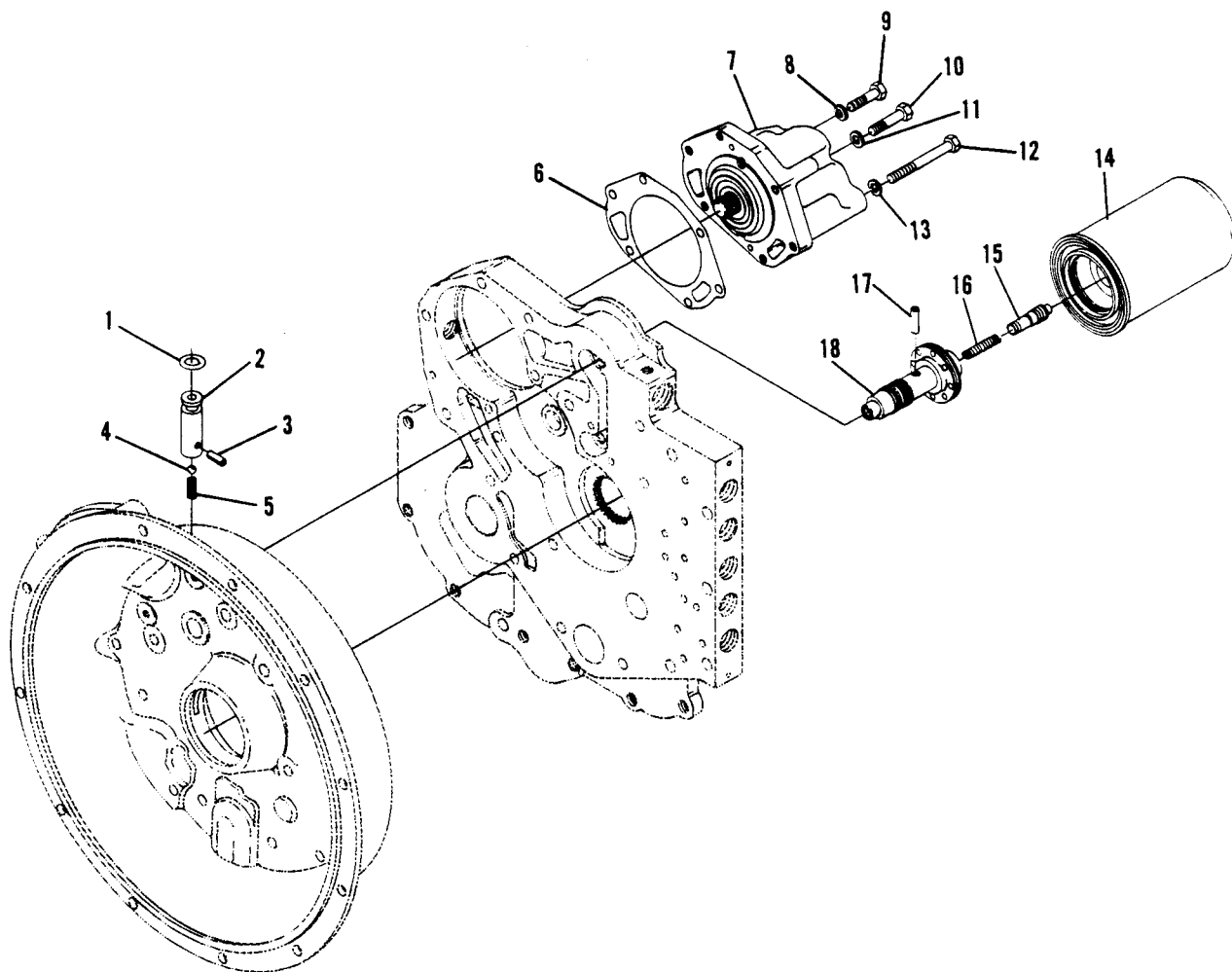
Ref. No.	Part No.	Description	Qty. Req.	Ref. No.	Part No.	Description	Qty. Req.
01	L98188	Plug Snap Ring	1	13	L98200	Stator Support Snap Ring	1
02	L98189	Torque Converter Plug	1	14	L98201	Stator Support Piston Ring	1
03	L98190	Torque Converter Plug "O" Ring	1	15	L98202	Stator Support Piston Ring Expander	1
04	L98191	Impeller Hub Snap Ring	1	16	L98203	Stator Support Assy (Inc. Item 17 & 20)	1
05	L99287	Torque Converter Assy	1	17	L98204	Bushing (Inc. in Item 16)	1
06	L98191	Impeller Hub Snap Ring	1	18	L98205	Impeller Hub Gear Washer	1
07	L98194	Conv. Hsg. Oil Seal	1	19	L98200	Stator Support Snap Ring	1
08	L98195	Oil Distributor Ring "O"Ring	1	20	L98197	Bearing (Inc. In Item #16)	1
09	L98196	Oil Distributor Ring	1				
10	L98195	Oil Distributor Ring "O"Ring	1				
11	L98198	Torque Conv. Bearing	1				
12	L98199	Impeller Hub Gear (35T)	1				

**Pump Drive Group**



Ref. No.	Part No.	Description	Qty. Req.	Ref. No.	Part No.	Description	Qty. Req.
01	L98942	Pump Drive Idler Thrust Washer . . .	1	05	L98942	Pump Drive Idler Thrust Washer . . .	1
02	L98943	Idler Gear Bearing . . . . .	1	06	L98212	Pump Drive Gear Ret Snap Ring . .	1
03	L98944	Pump Drive Idler Gear (31T) . . . . .	1	07	L98211	Pump Drive Gear (34T) . . . . .	1
04	L98945	Pump Drive Idler Shaft & Pin Asy. . .	1	08	L98947	Roll Pin (Incl. in Item #4) . . . . .	1
		(Incl. Item #8)					

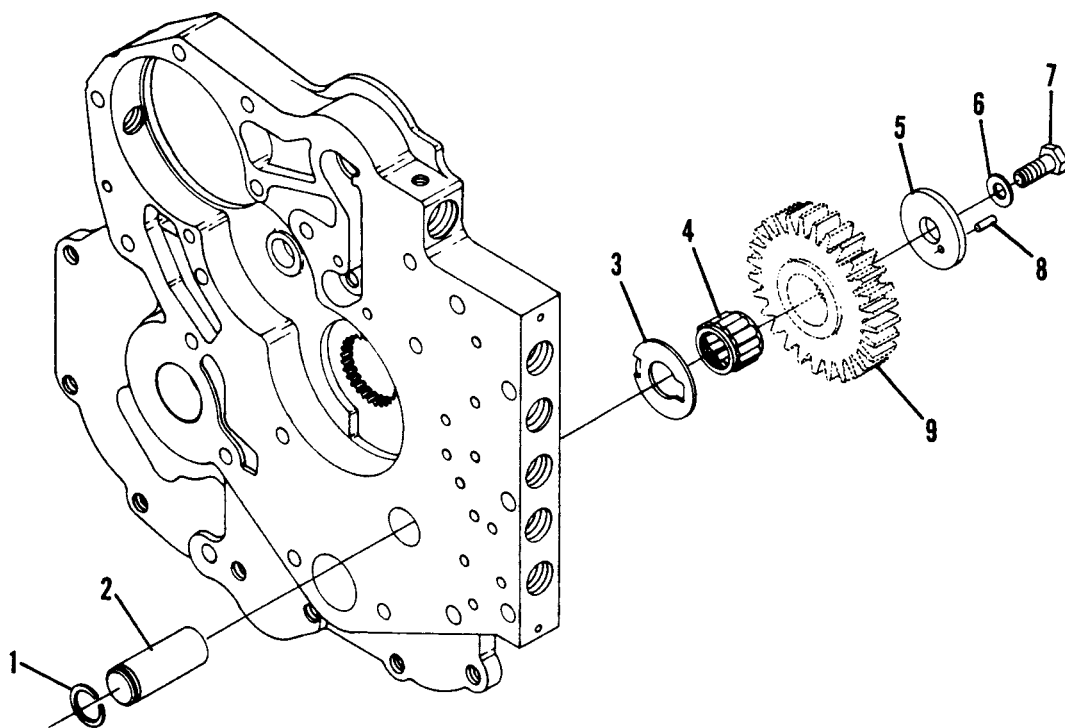
**Charge Pump w/Filter Group**



***Charge Pump w/Filter Group***

<b>Ref. No.</b>	<b>Part No.</b>	<b>Description</b>	<b>Qty. Req.</b>	<b>Ref. No.</b>	<b>Part No.</b>	<b>Description</b>	<b>Qty. Req.</b>
01	L98948	"O"Ring . . . . .	1	11	L99020	Pump Mtg. Screw Lockwasher . . . .	4
02	L98949	Ball Check Valve Asy. . . . .	1	12	L99296	Pump Mtg. Screw . . . . .	1
		(Inc. Items 1 thru 5)		13	L99029	Pump Mtg. Screw Lockwasher . . . .	1
03	L98214	Pin . . . . .	1	14	L99184	Filter Assembly. . . . .	1
04	L98215	Ball . . . . .	1	15	L98950	Piston . . . . .	1
05	L98216	Spring . . . . .	1	16	L98951	Spring . . . . .	1
06	L98219	Charging Pump Gasket . . . . .	1	17	L98952	Pin . . . . .	1
07	L98220	Charging Pump . . . . .	1	18	L98953	Sleeve . . . . .	1
08	L99020	Pump Mtg. Screw Lockwasher . . . .	1	19	L98954	Regulator Valve Asy. . . . .	1
09	L99023	Pump Mounting Scew . . . . .	1			(Inc. Items 15 thru 18)	
10	L99025	Pump Mounting Screw . . . . .	4				

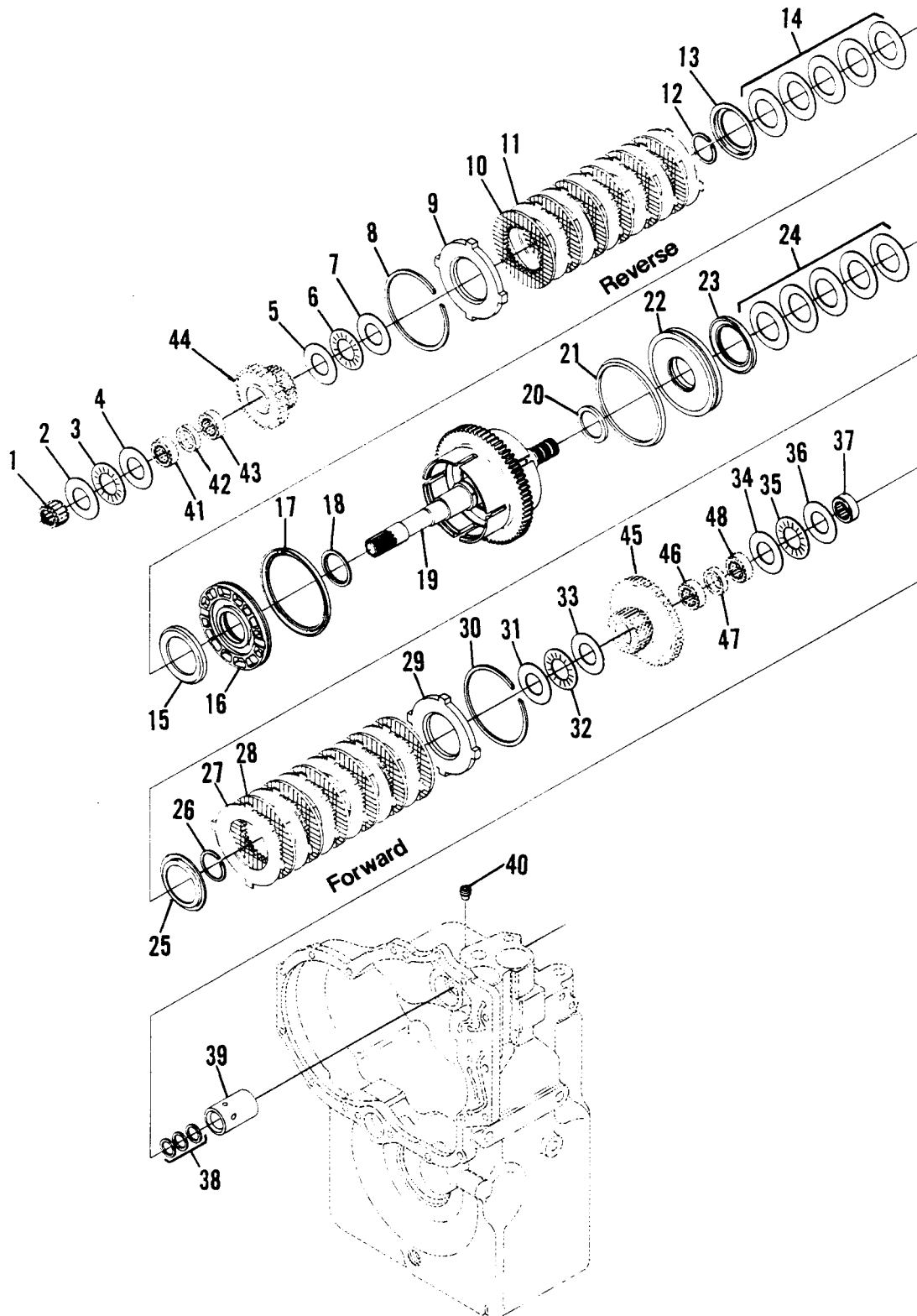
*Reverse Idler Group*



***Reverse Idler Group***

<b>Ref. No.</b>	<b>Part No.</b>	<b>Description</b>	<b>Qty. Req.</b>	<b>Ref. No.</b>	<b>Part No.</b>	<b>Description</b>	<b>Qty. Req.</b>
01	L98228	Idler Shaft Snap Ring . . . . .	1	06	L99032	End Plate Capscrew Washer . . . . .	1
02	L98229	Idler & Pilot Shaft . . . . .	1	07	L99031	Rev. Idler End Plate Capscrew . . . . .	1
03	L98230	Thrust Washer . . . . .	1	08	L98233	End Plate to Shaft Roll Pin . . . . .	1
04	L98231	Reverse Idler Gear Bearing . . . . .	1	09	L98955	Reverse Idler Gear . . . . .	1
05	L98232	End Plate . . . . .	1				

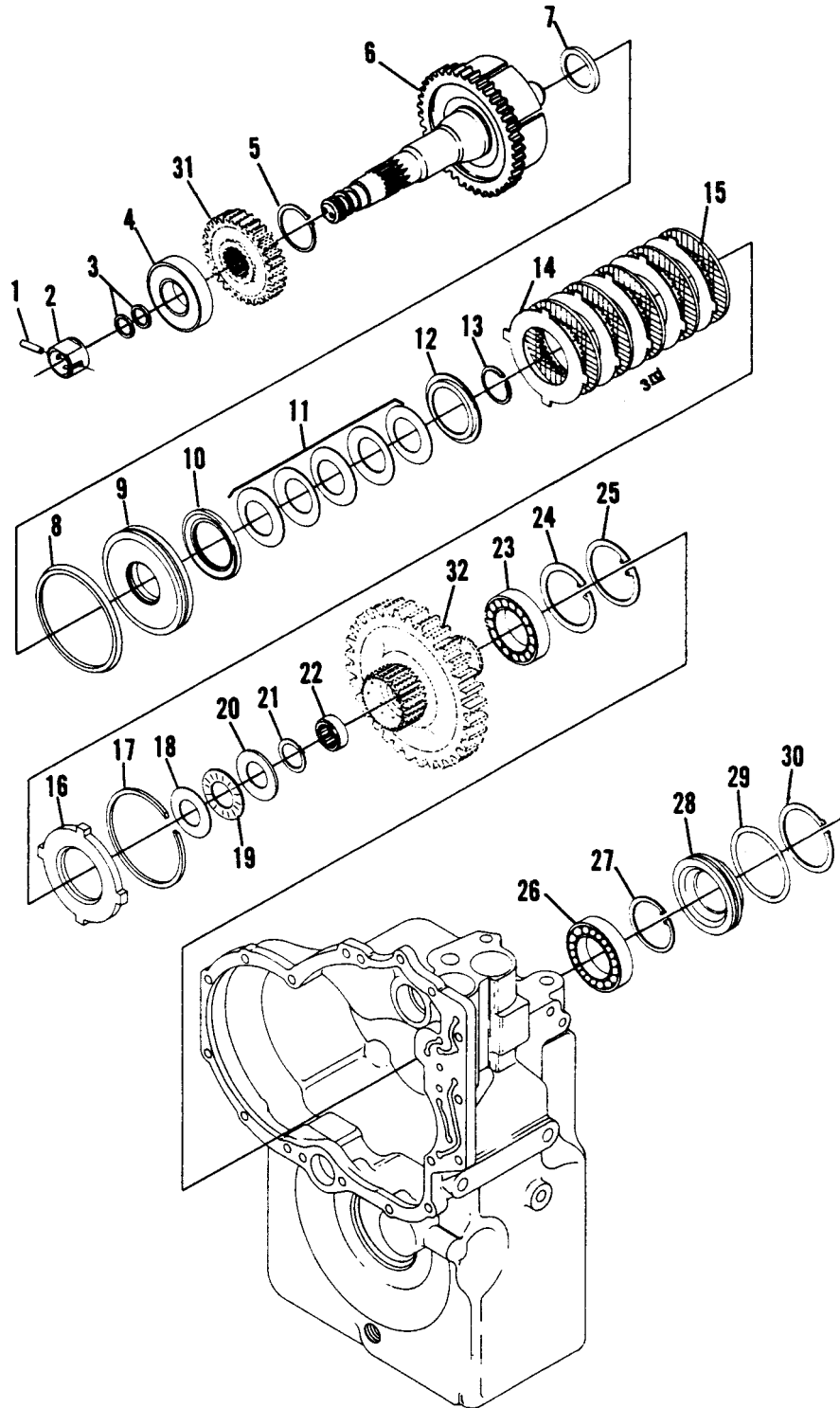
### Forward & Reverse Shaft Group



***Forward & Reverse Shaft Group***

<b>Ref. No.</b>	<b>Part No.</b>	<b>Description</b>	<b>Qty. Req.</b>	<b>Ref. No.</b>	<b>Part No.</b>	<b>Description</b>	<b>Qty. Req.</b>
01		Turbine Shaft Front Bearing (See Converter Group)		25	L98242	Snap Ring Retainer . . . . .	1
02	L98235	Clutch Gear Thrust Washer . . . . .	1	26	L98241	Retainer Snap Ring . . . . .	1
03	L98236	Clutch Gear Thrust Washer Brg. . . . .	1	27	L98240	Outer Disc - Forward Clutch . . . . .	6
04	L98235	Clutch Gear Thrust Washer . . . . .	1	28	L98239	Inner Disc - Forward Clutch . . . . .	6
05	L98235	Clutch Gear Thrust Washer . . . . .	1	29	L98238	End Plate . . . . .	1
06	L98236	Clutch Gear Thrust Washer Brg. . . . .	1	30	L98237	End Plate Snap Ring . . . . .	1
07	L98235	Clutch Gear Thrust Washer . . . . .	1	31	L98235	Clutch Gear Thrust Washer . . . . .	1
08	L98237	End Plate Snap Ring . . . . .	1	32	L98236	Clutch Gear Thrust Washer Brg. . . . .	1
09	L98238	End Plate . . . . .	1	33	L98235	Clutch Gear Thrust Washer . . . . .	1
10	L98239	Inner Disc-Reverse Clutch . . . . .	6	34	L98235	Clutch Gear Thrust Washer . . . . .	1
11	L98240	Outer Disc-Reverse Clutch . . . . .	6	35	L98236	Clutch Gear Thrust Washer Brg. . . . .	1
12	L98241	Retainer Snap Ring . . . . .	1	36	L98235	Clutch Gear Thrust Washer . . . . .	1
13	L98242	Snap Ring Retainer . . . . .	1	37	L98249	Thrbine Shaft Rear Bearing . . . . .	1
14	L98243	Disc Washer (Spring) Asy. . . . .	5	38	L98250	Piston Ring . . . . .	3
15	L98244	Clutch Piston Wear Plate . . . . .	1	39	L98251	Oil Distributor Sleeve . . . . .	1
16	L99278	Clutch Piston & Seals Asy . . . . . (Incl. Items 17,18)	1	40	L98252	Retainer Screw . . . . .	1
17	L98246	Clutch Piston Seal - Outer . . . . .	1	41	L98253	Bearing . . . . .	1
18	L98247	Clutch Piston Seal - Inner. . . . .	1	42	L98254	Spacer . . . . .	1
19	L98291	Turbine Shaft Drum & Plug Asy. . . . .	1	43	L98253	Bearing . . . . .	1
20	L98247	Clutch Piston Seal - Inner. . . . .	1	44	L98962	Rev. Clutch Gear & Brg. Asy. . . . . (Incl. Items 41 thru 43)	1
21	L98246	Clutch Piston Seal - Outer . . . . .	1	45	L98255	Fwd. Clutch Gear & Brg. Asy. . . . . (Incl. Items 46 thru 48)	1
22	L99278	Clutch Piston & Seals Asy. . . . . (Incl. Items 20,21)	1	46	L98253	Bearing . . . . .	1
23	L98244	Clutch Piston Wear Plate . . . . .	1	47	L98254	Spacer - See <i>Special Parts Sect.</i> . . .	1
24	L98243	Disc Washer Spring Asy. . . . . (Incl. 5 Washers)	5	48	L98253	Bearing - See <i>Special Parts Sect.</i> . . .	1

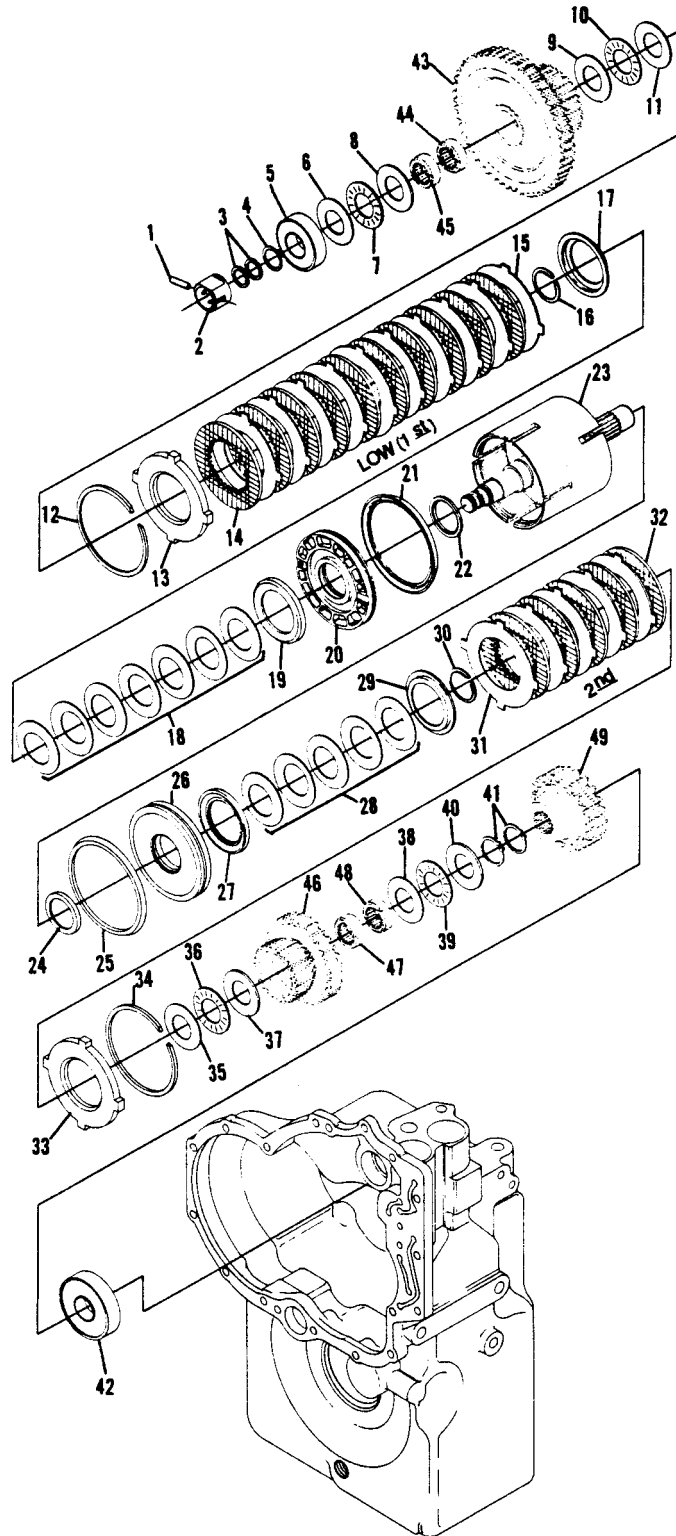
**3rd & Output Shaft Group**



***3rd & Output Shaft Group***

<b>Ref. No.</b>	<b>Part No.</b>	<b>Description</b>	<b>Qty. Req.</b>	<b>Ref. No.</b>	<b>Part No.</b>	<b>Description</b>	<b>Qty. Req.</b>
01	L98257	Sleeve Locating Screw . . . . .	1	16	L98238	End Plate . . . . .	1
02	L98258	Oil Distributor Sleeve . . . . .	1	17	L98237	End Plate Snap Ring . . . . .	1
03	L98250	Piston Ring . . . . .	2	18	L98235	Clutch Gear Thrust Washer . . . . .	1
04	L400273	Bearing & Seal Asy. . . . .	1	19	L98236	Clutch Gear Thrust Washer Brg. . . . .	1
05	L98260	Gear Hub Snap Ring . . . . .	1	20	L98235	Clutch Gear Thrust Washer . . . . .	1
06	L98261	3rd Shaft, Drum, & Plug Asy. . . . .	1	21	L98271	Thrust Washer Ret. Snap Ring. . . . .	1
07	L98247	Clutch Piston Inner Seal . . . . .	1	22	L98263	3rd Clutch Gear Bearing. . . . .	1
08	L98246	Clutch Piston Outer Seal . . . . .	1	23	L99039	Rear Bearing . . . . .	1
09	L99279	Clutch Piston, Ball Seat & Seals Asy.(Incl. Items 7, 8). . . . .	1	24	L98264	Rear Bearing Ret. Snap Ring . . . . .	1
10	L98244	Clutch Piston Wear Plate . . . . .	1	25	L98264	Output Shaft Brg. Snap Ring . . . . .	1
11	L98243	Disc Washer Spring Asy. . . . . (Incl. 5 Washers)	5	26	L98282	Output Shaft Bearing . . . . .	1
12	L98242	Snap Ring Retainer . . . . .	1	27	L98266	Output Shaft Brg. Ret. Snap Ring. . . . .	1
13	L98241	Retainer Snap Ring . . . . .	1	28	L99280	Plug - Capped End. . . . .	1
14	L98240	Outer Disc - 3rd Clutch. . . . .	5	29	L98268	Oil Seal Sleeve "0" Ring. . . . .	1
15	L98239	Inner disc - 3rd Clutch . . . . .	5	30	L98264	Output Shaft Brg. Snap Ring . . . . .	1
				31	L98965	1st Drive Gear . . . . .	1
				32	L98270	3rd Gear & Shaft . . . . .	1

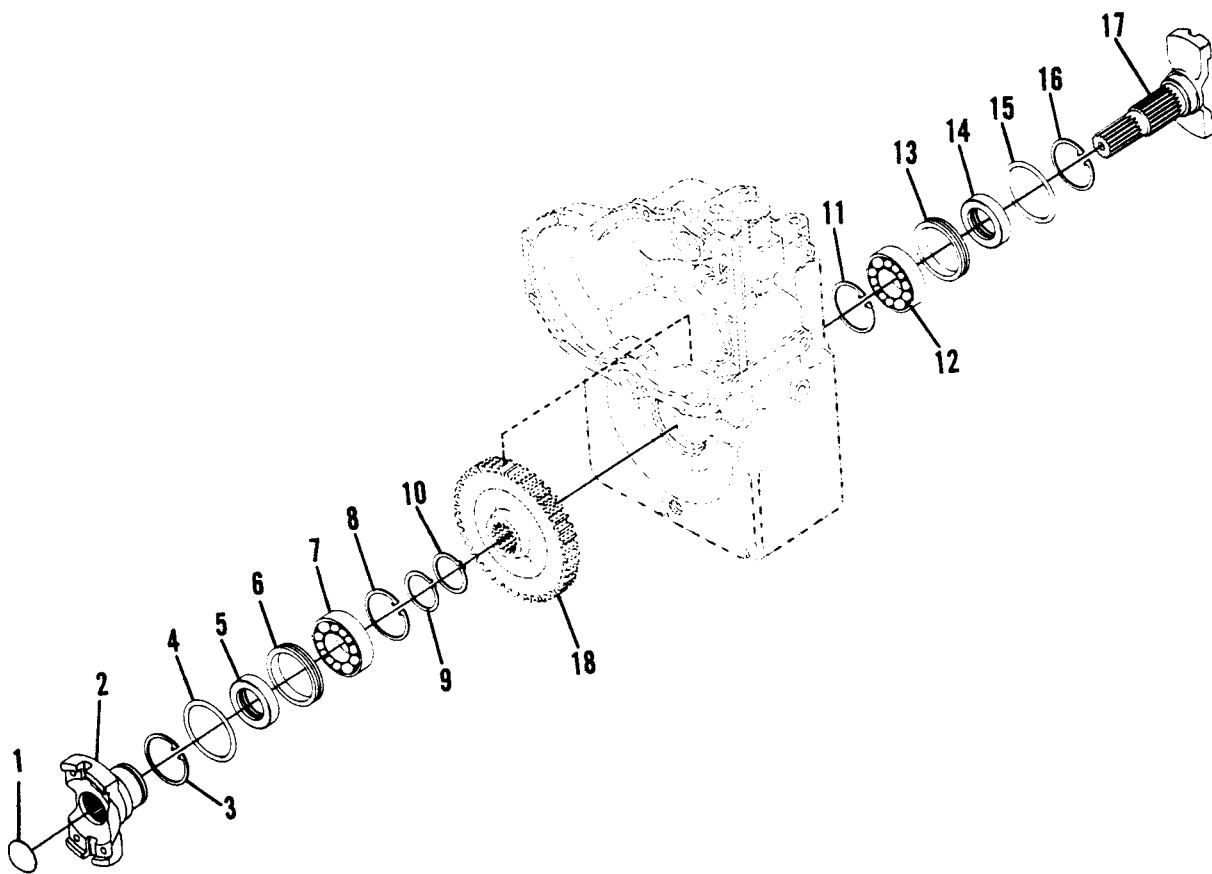
### 1st & 2nd Shaft Group



**1st & 2nd Shaft Group**

Ref. No.	Part No.	Description	Qty. Req.	Ref. No.	Part No.	Description	Qty. Req.
01	L98257	Sleeve Locating Screw . . . . .	1	26	L99038	Clutch Piston & Seal Asy . . . . .	1
02	L98272	Oil Distributor Sleeve . . . . .	1			(Incl. Items 24, 25)	
03	L98250	Piston Ring . . . . .	2	27	L98244	Clutch Piston Wear Plate . . . . .	1
04		(Not Used)		28	L98243	2nd Clutch Disc Spring Asy. . . . .	5
05	L500273	Bearing & Seal Asy. . . . .	1			(Incl. 5 Washers)	
06	L98235	Clutch Gear Thrust Washer . . . . .	1	29	L98242	Snap Ring Retainer . . . . .	1
07	L98236	Clutch Gear Thrust Washer Brg. . . . .	1	30	L98241	Retainer Snap Ring . . . . .	1
08	L98235	Clutch Gear Thrust Washer . . . . .	1	31	L98240	Outer Disc - 2nd Clutch . . . . .	5
09	L98235	Clutch Gear Thrust Washer . . . . .	1	32	L98239	Inner Disc - 2nd Clutch. . . . .	5
10	L98236	Clutch Gear Thrust Washer Brg. . . . .	1	33	L98238	End Plate . . . . .	1
11	L98235	Clutch Gear Thrust Washer . . . . .	1	34	L98237	End Plate Snap Ring . . . . .	1
12	L98237	End Plate Snap Ring . . . . .	1	35	L98235	Clutch Gear Thrust Washer . . . . .	1
13	L98238	End Plate . . . . .	1	36	L98236	Clutch Gear Thrust Washer Brg. . . . .	1
14	L98239	Inner Disc - 1st Clutch . . . . .	10	37	L98235	Clutch Gear Thrust Washer . . . . .	1
15	L98240	Outer Disc - 1st Clutch . . . . .	10	38	L98235	Clutch Gear Thrust Washer . . . . .	1
16	L98241	Retainer Snap Ring . . . . .	1	39	L98236	Clutch Gear Thrust Washer Brg. . . . .	1
17	L98242	Snap Ring Retainer . . . . .	1	40	L98235	Clutch Gear Thrust Washer . . . . .	1
18	L98243	1st Clutch Disc Spring Asy. . . . .	7	41	L98260	2nd Clutch Gear Hub Snap Ring . . . . .	2
		(Incl. 5 Washers)		42	L98275	Rear Bearing . . . . .	1
19	L98244	Clutch Piston Wear plate . . . . .	1	43	L98968	1st Clutch Gear & Brg. Asy. . . . .	1
20	L99038	Clutch Piston . . . . .	1			(Incl. Items 44,45)	
		(Incl. Items 21, 22)		44	L98253	Bearing . . . . .	1
21	L98246	Clutch Piston Seal - Outer . . . . .	1	45	L98253	Bearing . . . . .	1
22	L98247	Clutch Piston Seal - Inner. . . . .	1	46	L98276	2nd Clutch Gear & Brg. Assy. . . . .	1
23	L98274	1st & 2nd Shaft, Drum & Plug Asy. . . . .	1			(Incl. Items 47,48)	
24	L98247	Clutch Piston Seal - Inner. . . . .	1	47	L98253	Bearing . . . . .	1
25	L98246	Clutch Piston Seal - Outer . . . . .	1	48	L98253	Bearing . . . . .	1
				49	L98277	3rd Driven Gear . . . . .	1
						(See Special Parts Group)	

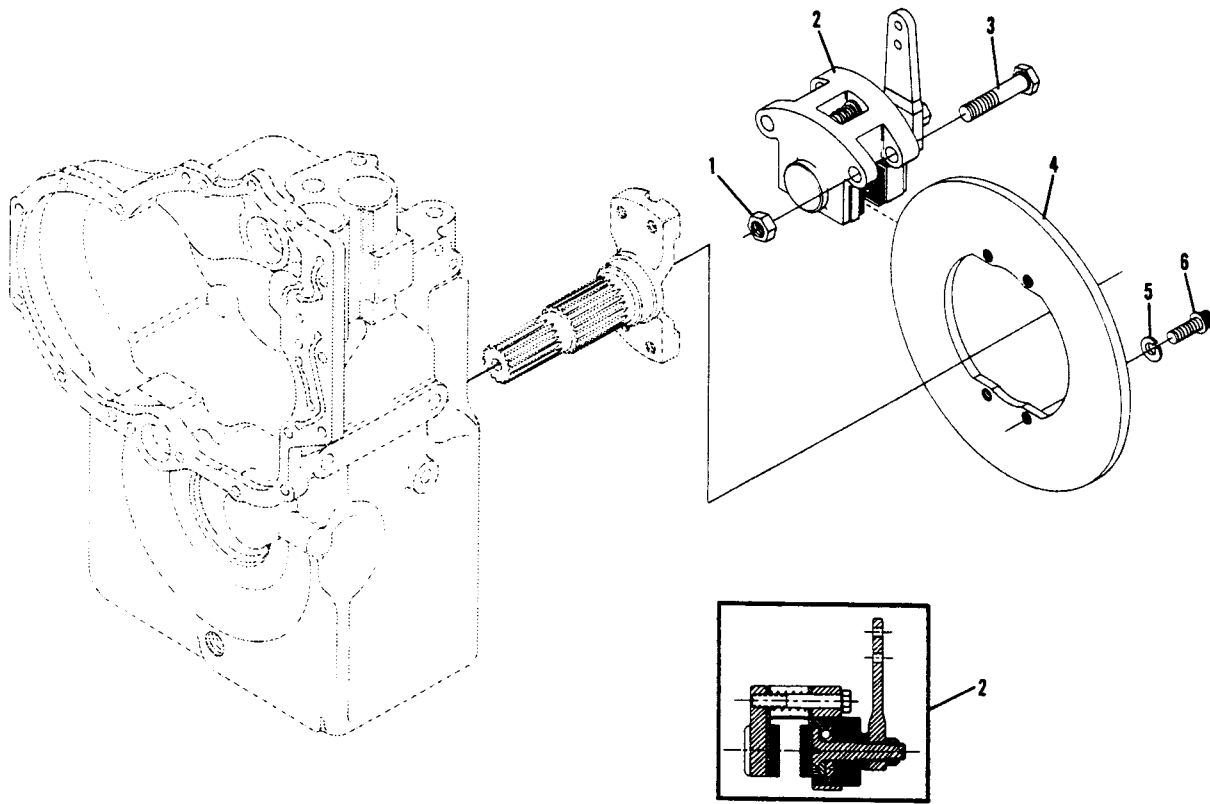
*Output Shaft Group*



***Output Shaft Group***

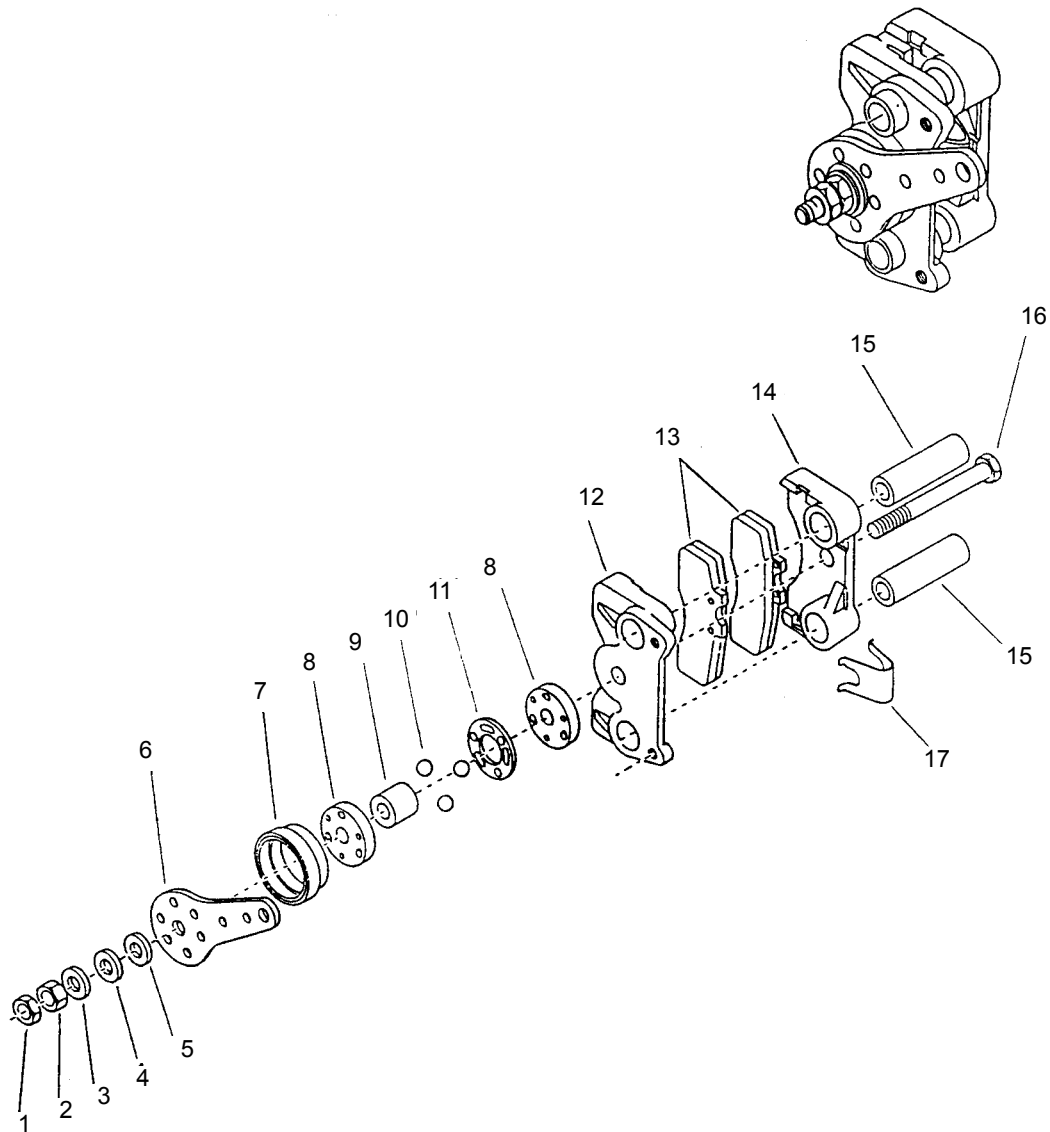
<b>Ref. No.</b>	<b>Part No.</b>	<b>Description</b>	<b>Qty. Req.</b>	<b>Ref. No.</b>	<b>Part No.</b>	<b>Description</b>	<b>Qty. Req.</b>
01	L98278	Flange Plug . . . . .	1	10	L98266	Gear Retaining Ring . . . . .	1
02	L98279	Output Flange & Plug Asy. . . . . (Inc. Item 1)	1	11	L98264	Output Shaft Brg. "O"Ring . . . . .	1
03	L98264	Output Shaft Brg. Snap Ring . . . . .	1	12	L98282	Output Shaft Bearing . . . . .	1
04	L98268	Oil Seal Sleeve "O"Ring . . . . .	1	13	L98281	Oil Seal Sleeve . . . . .	1
05	L96053	Output Shaft Oil Seal . . . . .	1	14	L96053	Output Shaft Oil Seal . . . . .	1
06	L98281	Oil Seal Sleeve . . . . .	1	15	L98268	Output Shaft Sleeve "O"Ring . . . . .	1
07	L98282	Output Shaft Bearing . . . . .	1	16	L98264	Output Shaft Brg. "O"Ring . . . . .	1
08	L98264	Output Shaft Brg. Snap Ring . . . . .	1	17	L500274	Output Shaft & Brake Flange (SC) . . . . .	1
09	L98266	Flange Retaining Ring . . . . .	1	18	L98284	Output Shaft Gear . . . . .	1

**Disc Brake Group**



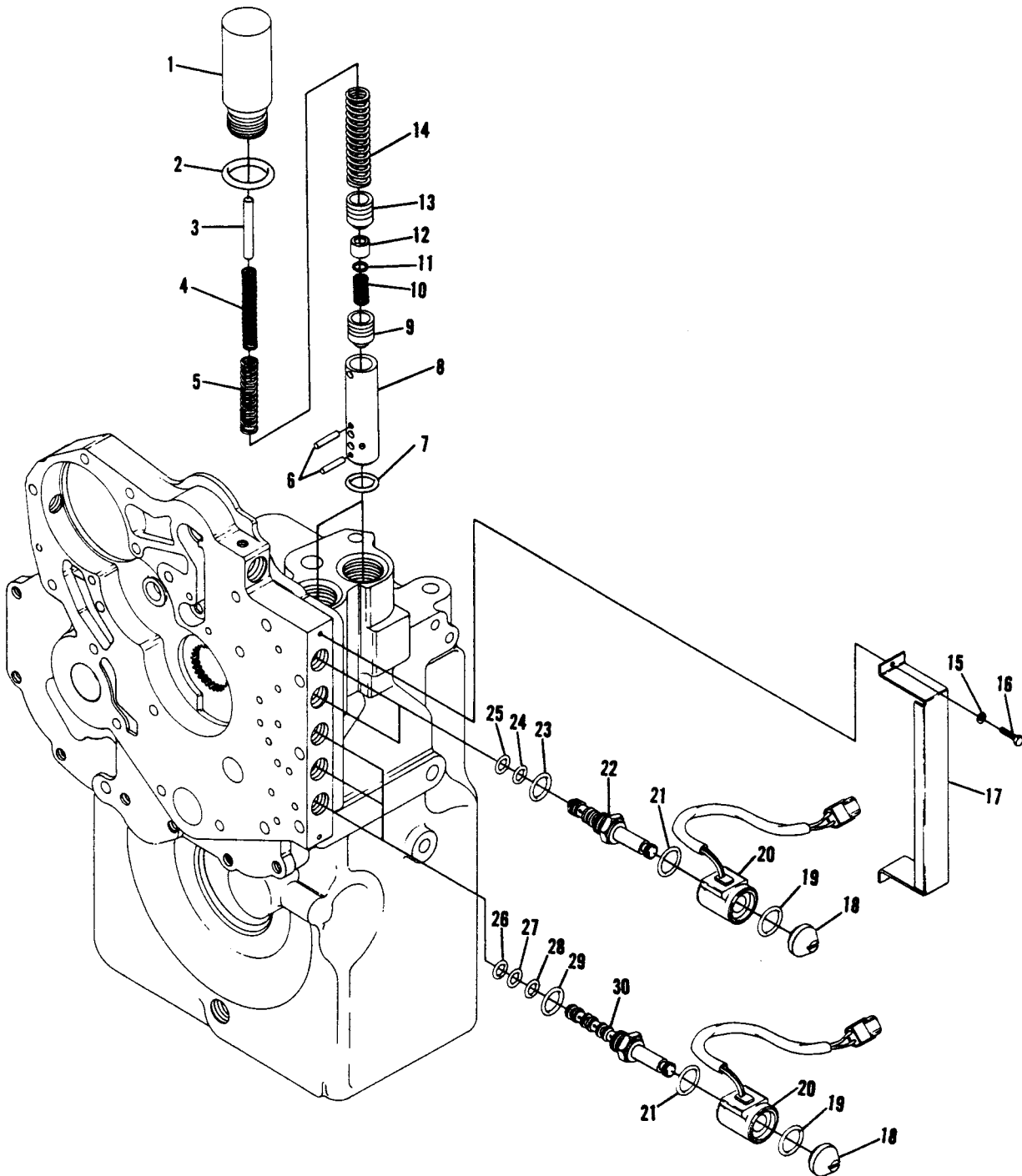
Ref. No.	Part No.	Description	Qty. Req.	Ref. No.	Part No.	Description	Qty. Req.
01	L99040	Caliper Asy. Capscrew Lock Nut . . .	2	04	L98287	Brake Disc . . . . .	1
02	L99297	Caliper Brake Asy. (See Parts List) .	1	05	L98617	Brake Disc Capscrew Lockwasher .	4
03	L99298	Caliper Assy. Mtg. Capscrew . . . . .	2	06	L500276	Brake Disc Capscrew . . . . .	4

### Brake Caliper Assembly



Ref. No.	Part No.	Description	Qty. Req.	Ref. No.	Part No.	Description	Qty. Req.
01	L99299	Jam Adjust. Nut . . . . .	1	13	NSS	Carrier & Lining Asy (See Item 19 or 20)	
02	L99300	Adjusting Nut . . . . .	1	14	NSS	Torque Plate Rear (Part of Item 18)	
03	L99301	Hardened Washer . . . . .	1	15	L99307	Mounting Sleeve . . . . .	2
04	L99302	Stainless Steel Washer . . . . .	1	16	L99308	Adjusting Bolt . . . . .	1
05	NSS	Thrust Washer (See Item 20)		17	NSS	Spring (See Item 19 or 20) (Incl. Items 1 thru 14)	
06	L99303	Lever . . . . .	1	18	L99297	Brake Asy. (Incl. Items 1-17) . . . . .	1
07	NSS	Boot (See Item 20)		19	L99309	Lining Kit (Incl. Items 13,17) . . . . .	1
08	L99304	Cam . . . . .	1	20	L99310	Hdwr. Parts Kit . . . . .	1
09	NSS	Id. Seal (See Item 20)				(Incl. Items 5,7,9 & 19)	
10	L99305	Ball . . . . .	3				
11	L99306	Plastic Retainer . . . . .	1				
12	NSS	Torque Plate Front (Part of Item 18)					

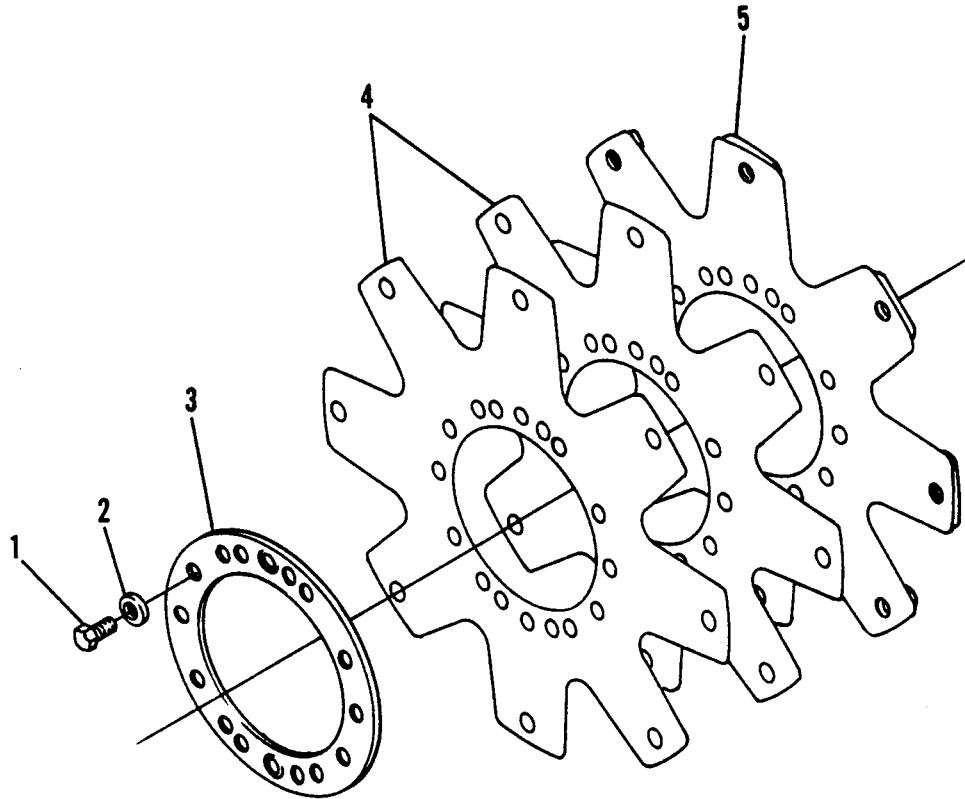
**Electric Control w/Modulation Group**



***Electric Control w/Modulation Group***

Ref. No.	Part No.	Description	Qty. Req.	Ref. No.	Part No.	Description	Qty. Req.
01	L98291	Modulator Valve Housing . . . . .	1	20	L98308	Solenoid Coil - 12 Volt . . . . .	4
02	L98292	Modulator Housing "O" Ring . . . . .	1	21	L98307	Coil to Cartridge "O"Ring . . . . .	4
03	L98293	Stop Pin . . . . .	1	22		<i>(Not Used - See Item 30)</i>	
04	L98294	Spring - Inner . . . . .	1	23		<i>(Not Used - See Item 29)</i>	
05	L98295	Spring - Middle . . . . .	1	24		<i>(Not Used - See Item 28)</i>	
06	L98956	Upper Pin . . . . .	2	25		<i>(Not Used - See Item 27)</i>	
6A	L98957	Lower Pin . . . . .	2	26	L98313	Cartridge "O"Ring . . . . .	3
07	L98297	Sleeve "O"Ring . . . . .	1	27	L98312	Cartridge "O"Ring . . . . .	2
08	L98298	Modulation Housing Sleeve . . . . .	1	28	L98311	Cartridge "O"Ring . . . . .	3
09	L98958	Regulator Spool . . . . .	1	29	L98310	Cartridge "O"Ring . . . . .	3
10	L98300	Spring . . . . .	1	30	L98314	Valve Cartridge, 4 Way . . . . .	2
11	L98301	Spring Spacer . . . . .	1			Used at 1st & 2nd - 3rd	
12	L98302	Spring Retainer . . . . .	1			(Incl. Items 26-29)	
13	L98303	Accumulator Spool . . . . .	1	30A	L98315	Solenoid Bore Plug . . . . .	1
14	L98304	Spring - Outer . . . . .	1			Used at Fwd.-Hi & Low	
15	L99034	Cover Screw Lockwasher . . . . .	2			(Incl. (1) of Itmes 26,28,29)	
16	L99035	Cover Screw . . . . .	2	31	L98960	Spool Type Sol. Cartridge Asy	
17	L98305	Protective Cover . . . . .	1			(Incl. Item 18 thru 21[4 ea.] , 30) . .	4
18	L99036	Valve Cartridge Retainer Nut . . . . .	4	32	L99311	Monitor Valve Asy . . . . .	2
19	L98307	Nut to Coil "O, Ring . . . . .	4			(Incl. Items 1-14)	

**Drive Plate Group**



Ref. No.	Part No.	Description	Qty. Req.	Ref. No.	Part No.	Description	Qty. Req.
01	L99312	Drive Plate Mounting Screw . . . . .	6	04	NSS	Drive Plate - (Incl. In Item #5)	
02	L99030	Drive Plate Mounting Screw Lockwasher . . . . .	6	05	L98317	Drive Plate Asy. Kit (Incl. Items 1 thru 4) . . . . .	1
03	L97516	Drive Plate Backing Ring . . . . .	1				

***Numerical Index***

<b>Part No.</b>	<b>Page No.</b>	<b>Ref. No.</b>	<b>Part No.</b>	<b>Page No.</b>	<b>Ref. No.</b>	<b>Part No.</b>	<b>Page No.</b>	<b>Ref. No.</b>	<b>Part No.</b>	<b>Page No.</b>	<b>Ref. No.</b>
L500270	07	08	L98235	15	31	L98242	15	25	L98258	17	02
L500273	17	04	L98235	15	36	L98243	19	28	L98260	19	41
L500273	19	05	L98235	15	07	L98243	17	11	L98260	17	05
L500274	17	26	L98235	17	18	L98243	15	14	L98261	17	06
L500276	22	06	L98235	19	37	L98243	19	18	L98263	17	22
L94824	07	15	L98235	17	20	L98243	15	24	L98264	17	30
L96053	21	14	L98235	19	40	L98244	15	23	L98264	21	16
L96053	21	05	L98235	19	05	L98244	19	27	L98264	21	11
L97516	26	03	L98235	19	38	L98244	15	15	L98264	21	03
L98176	07	25	L98235	19	11	L98244	17	10	L98264	21	08
L98184	07	21	L98235	19	35	L98244	19	19	L98264	17	25
L98185	07	22	L98235	19	08	L98246	15	21	L98264	17	24
L98188	08	01	L98235	19	07	L98246	19	25	L98266	21	09
L98189	08	02	L98236	19	06	L98246	17	08	L98266	21	10
L98190	08	03	L98236	19	36	L98246	19	21	L98266	17	27
L98191	08	04	L98236	15	32	L98246	15	17	L98268	17	29
L98191	08	06	L98236	17	19	L98247	19	22	L98268	21	15
L98194	08	07	L98236	19	39	L98247	15	20	L98268	21	04
L98195	08	10	L98236	15	03	L98247	17	07	L98270	17	32
L98195	08	08	L98236	19	10	L98247	19	24	L98271	17	21
L98196	08	09	L98236	15	06	L98247	15	18	L98272	19	02
L98197	08	20	L98236	15	35	L98249	15	37	L98274	19	23
L98198	08	11	L98237	15	08	L98250	19	03	L98275	19	42
L98199	08	12	L98237	19	34	L98250	17	03	L98276	19	46
L98200	08	13	L98237	17	17	L98250	15	38	L98276	03	46
L98200	08	19	L98237	15	30	L98251	15	39	L98277	19	49
L98201	08	14	L98237	19	12	L98252	15	40	L98277	03	49
L98202	08	15	L98238	19	33	L98253	03	44	L98278	21	01
L98203	08	16	L98238	15	09	L98253	03	48	L98279	21	02
L98204	08	17	L98238	15	29	L98253	19	48	L98281	21	13
L98205	08	18	L98238	17	16	L98253	03	43	L98281	21	06
L98211	09	07	L98238	19	13	L98253	03	47	L98282	21	07
L98212	09	06	L98239	15	28	L98253	19	45	L98282	21	12
L98214	11	03	L98239	19	14	L98253	03	48	L98283	21	17
L98215	11	04	L98239	19	32	L98253	15	48	L98284	21	18
L98216	11	05	L98239	17	15	L98253	15	41	L98284	03	18
L98217	07	35	L98239	15	10	L98253	15	46	L98287	22	04
L98218	07	36	L98240	15	11	L98253	03	41	L98291	25	01
L98219	11	06	L98240	15	27	L98253	19	44	L98291	15	19
L98220	11	07	L98240	17	14	L98253	19	47	L98292	25	02
L98228	13	01	L98240	19	31	L98253	15	43	L98293	25	03
L98229	13	02	L98240	19	15	L98253	03	46	L98294	25	04
L98230	13	03	L98241	15	26	L98253	03	45	L98295	25	05
L98231	13	04	L98241	17	13	L98254	03	47	L98297	25	07
L98232	13	05	L98241	19	16	L98254	15	42	L98298	25	08
L98233	13	08	L98241	15	12	L98254	15	47	L98300	25	10
L98235	15	02	L98241	19	30	L98254	03	42	L98301	25	11
L98235	15	33	L98242	19	17	L98255	03	45	L98302	25	12
L98235	15	34	L98242	15	13	L98255	15	45	L98303	25	13
L98235	15	04	L98242	17	12	L98257	17	01	L98304	25	14
L98235	15	05	L98242	19	29	L98257	19	01	L98305	25	17

***Numerical Index***

<b>Part No.</b>	<b>Page No.</b>	<b>Ref. No.</b>	<b>Part No.</b>	<b>Page No.</b>	<b>Ref. No.</b>	<b>Part No.</b>	<b>Page No.</b>	<b>Ref. No.</b>
L98307	25	19	L99023	11	09	L99287	07	01
L98307	25	21	L99025	11	10	L99287	08	05
L98308	25	20	L99029	11	13	L99287	07	42
L98310	25	29	L99029	05	14	L99287	07	12
L98311	25	28	L99029	07	39	L99288	07	02A
L98312	25	27	L99029	05	07	L99288	07	13A
L98313	25	26	L99029	05	11	L99289	07	03
L98314	25	30	L99029	05	09	L99290	07	05
L98315	25	30A	L99029	07	33	L99293	07	23
L98317	26	05	L99029	07	31	L99294	07	23A
L98617	22	05	L99030	26	02	L99294	07	43
L98734	07	40	L99031	13	07	L99295	07	24
L98735	07	41	L99032	13	06	L99296	07	24A
L98926	07	06	L99034	25	15	L99296	11	12
L98927	07	28	L99035	25	16	L99297	23	18
L98927	07	07	L99036	25	18	L99297	22	02
L98931	07	29	L99038	19	26	L99298	22	03
L98932	07	30	L99038	19	20	L99299	23	01
L98935	07	37	L99039	17	23	L99300	23	02
L98938	05	04	L99040	22	01	L99301	23	03
L98942	09	01	L99045	8-7	34	L99302	23	04
L98942	09	05	L99184	8-11	14	L99303	23	06
L98943	09	02	L99246	8-5	03	L99304	23	08
L98944	09	03	L99246	8-7	04	L99305	23	10
L98945	09	04	L99246	07	11	L99306	23	11
L98947	9	08	L99249	05	02B	L99307	23	15
L98948	11	01	L99251	07	20	L99308	23	16
L98949	11	02	L99253	07	26	L99309	23	19
L98950	11	15	L99260	05	10	L99310	23	20
L98951	11	16	L99260	05	08	L99311	25	32
L98952	11	17	L99261	05	13	L99312	07	02
L98953	11	18	L99262	05	15	L99312	07	13
L98954	11	19	L99270	07	27	L99312	26	01
L98955	13	09	L99270	03	32			
L98955	03	09	L99274	07	09			
L98956	25	06	L99278	15	16			
L98957	25	06A	L99278	15	22			
L98958	25	09	L99279	17	09			
L98960	25	31	L99280	17	28			
L98962	03	44	L99283	05	01			
L98962	15	44	L99283	05	06			
L98965	03	31	L99283	05	02			
L98965	17	31	L99283	07	11A			
L98968	03	43	L99284	07	16			
L98968	19	43	L99284	07	16A			
L99012	07	18	L99284	05	01A			
L99013	07	19	L99284	05	02A			
L99018	07	38	L99284	05	06A			
L99018	07	32	L99284	07	11B			
L99020	11	11	L99285	05	12			
L99020	11	08	L99286	05	05			

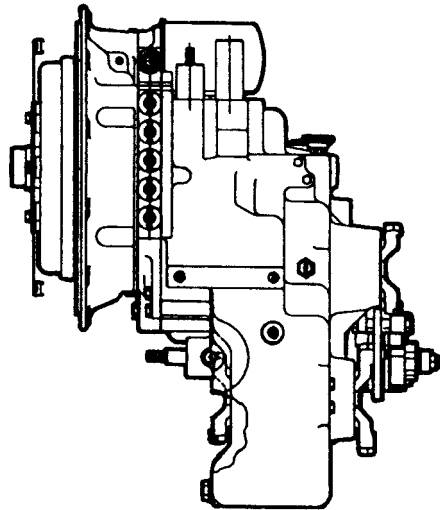
Form No.  
908429

# T12000

## Clark

# Transmission

Model No.  
1102T12366-101



# SERVICE PARTS

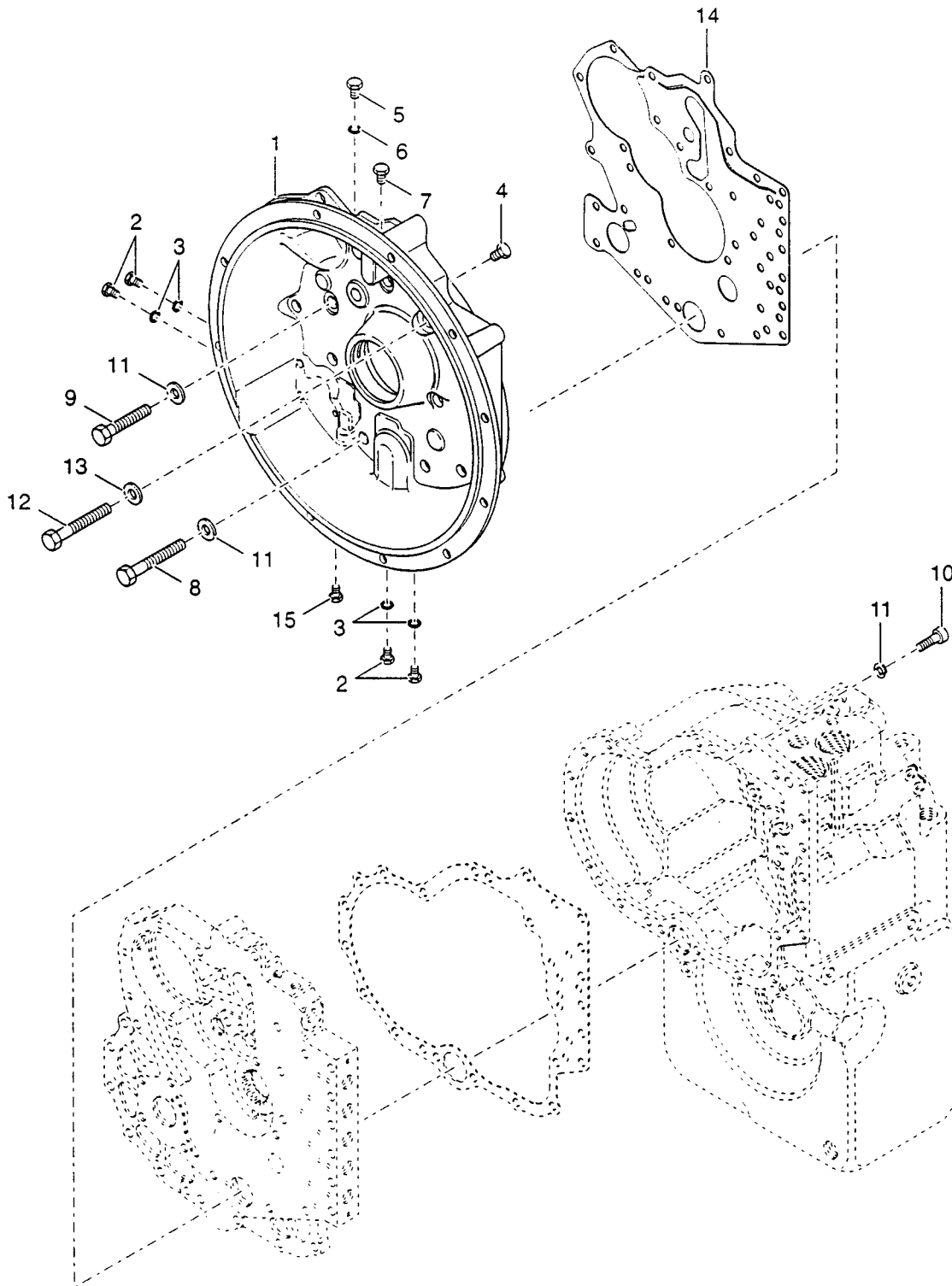
**GEHL**<sup>®</sup>



**Section Contents**

Converter Housing Group ..... **2**  
Case and Plate Group ..... **4**  
Torque Converter Group ..... **6**  
Pump Drive Group ..... **7**  
Gear Group ..... **8**  
Charge Pump Group ..... **10**  
Reverse Idler Group ..... **12**  
Forward/Reverse Shaft Group ..... **14**  
3rd Shaft Group ..... **16**  
1st and 2nd Shaft Group ..... **18**  
Output Shaft Group ..... **20**  
Disc Brake Group ..... **22**  
Brake Caliper Assembly ..... **23**  
Electric Control Group ..... **24**  
Drive Plate Group ..... **26**  
Numerical Index ..... **27**

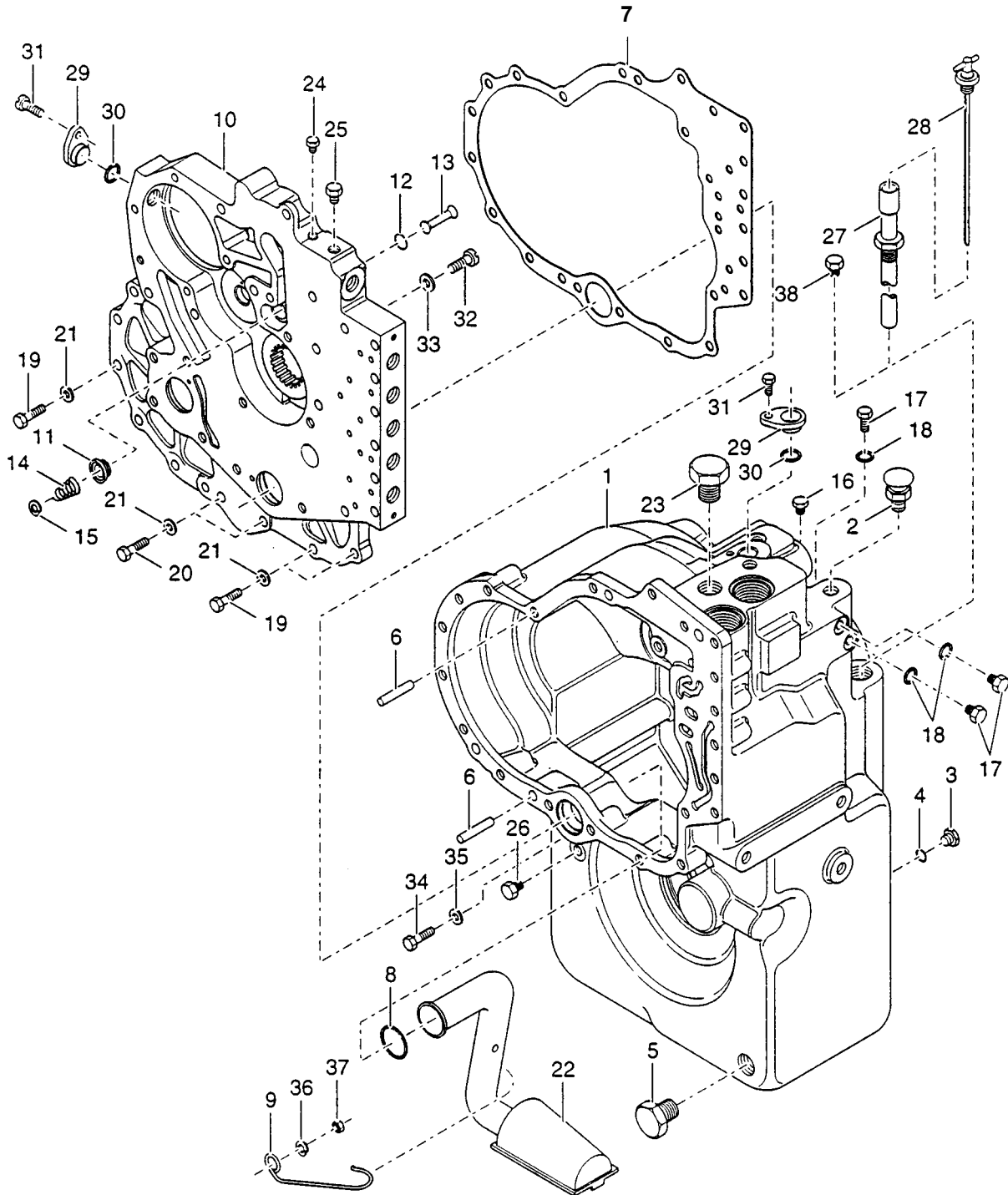
**Converter Housing Group**



**Converter Housing Group**

Ref. No.	Part No.	Description	Qty. Req.	Ref. No.	Part No.	Description	Qty. Req.
01	L99286	Converter Housing . . . . .	1	08	L99285	Screw, Conv. Hsg. to Plate . . . . .	6
02	L96015	Plug (includes item 3). . . . .	4	09	L99260	Screw, Conv. Hsg. to Plate . . . . .	3
03	L99284	O Ring, Plug . . . . .	4	10	L99261	Screw, Conv. Hsg. to Plate . . . . .	1
04	L99246	Plug . . . . .	1	11	L99029	LW, Conv. Hsg. to Trans. Case . . .	10
05	L96015	Plug (includes item 6). . . . .	1	12	L99260	Screw, Conv. Hsg. to Plate . . . . .	13
06	L99284	O Ring, Plug . . . . .	1	13	L99029	LW, Conv. Hsg. to Trans. Case . . .	13
07	L99262	Plug . . . . .	1	14	L98938	Gasket, Conv. Housing to Plate . . .	1
				15	L99249	Plug . . . . .	1

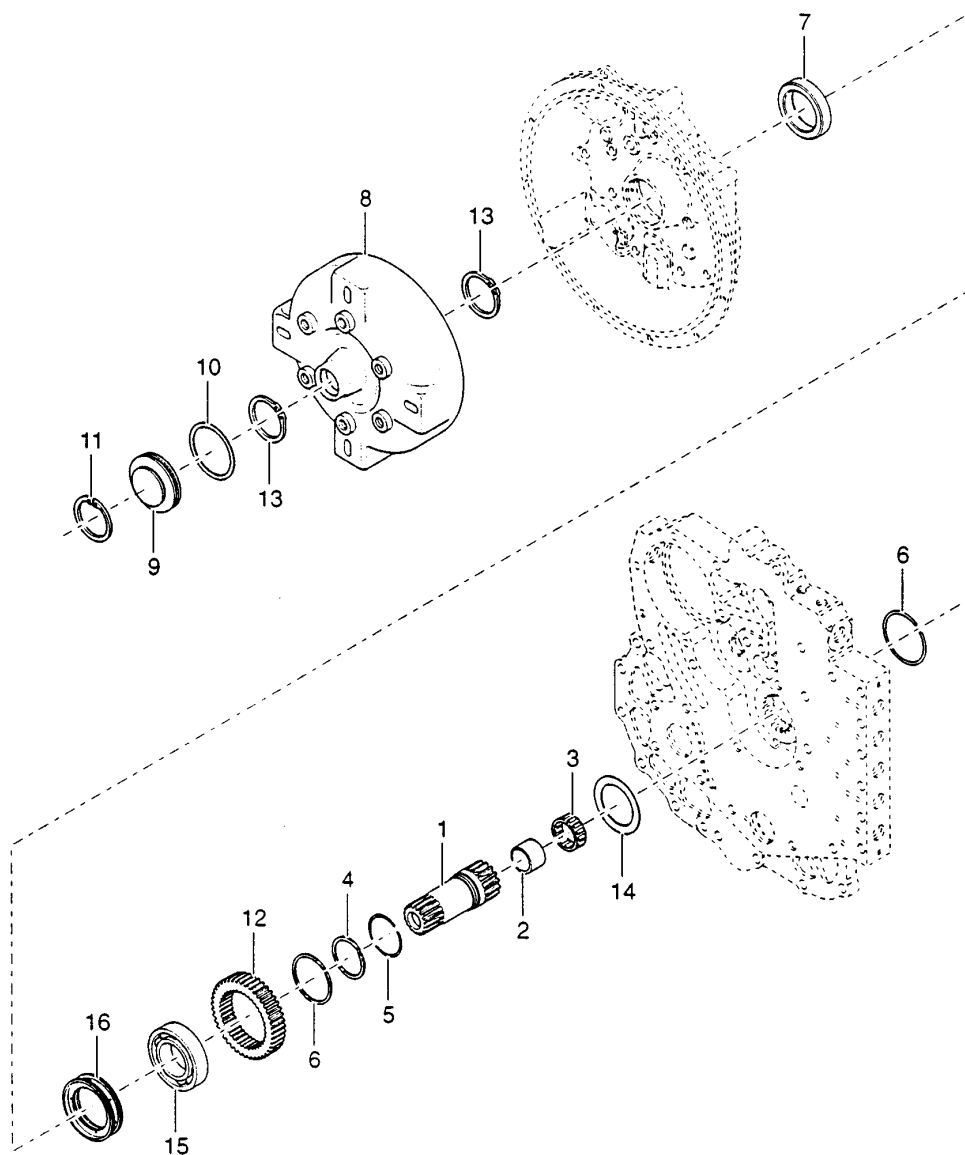
Case & Plate Group



**Case & Plate Group**

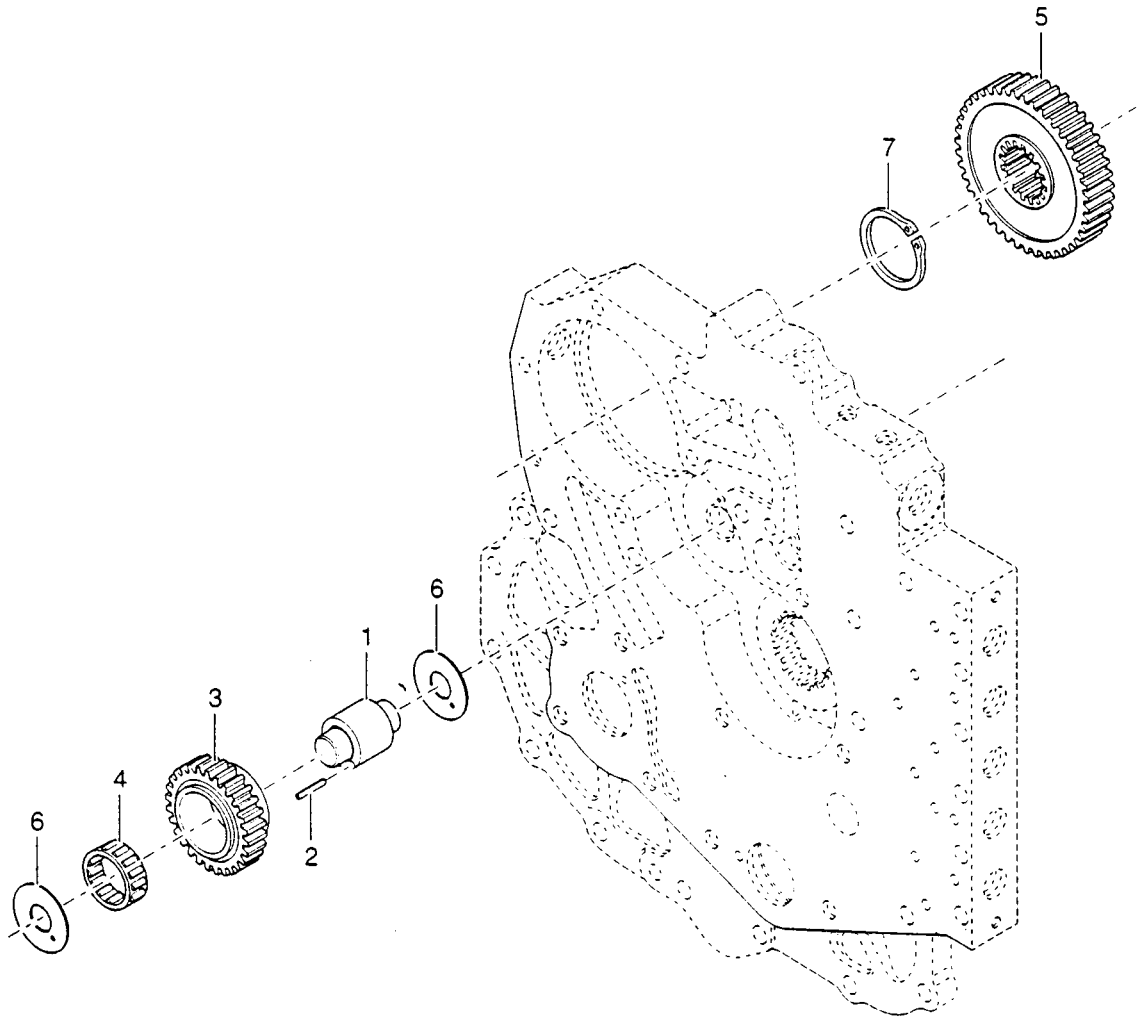
Ref. No.	Part No.	Description	Qty. Req.	Ref. No.	Part No.	Description	Qty. Req.
01	L500404	Transmission Case . . . . .	1	20	L99045	Screw, Plate to Trans Case . . . . .	2
02	L94824	Air Breather . . . . .	1	21	L99029	LW, Plate to Trans Case Screw . . .	9
03	L99251	Plug, Oil Level . . . . .	2	22	L98184	Assembly, Tube & Screen . . . . .	1
04	L99013	O-Ring, Plug . . . . .	2	23	L99274	Filler Plug . . . . .	1
05	L99253	Drain Plug, Magnetic . . . . .	1	24	L99246	Plug . . . . .	1
06	L98927	Pin, Plate to Trans Case Dowel . .	1	25	L99262	Plug . . . . .	1
07	L98926	Gasket, Plate to Trans Case . . . .	1	26	L99270	Plug, Drain Back Port . . . . .	1
08	L98185	Ring, Oil Supply Tube Seal . . . . .	1	27	L98734	Tube, Dipstick . . . . .	1
09	L98176	Clip, Oil Supply Tube Retainer . . .	1	28	L98735	Dipstick Asy. . . . .	1
10	L500405	Spacer Plate . . . . .	1	29	L99287	Plug, Speed Sensor Port . . . . .	2
11	L98935	Seat, Safety Valve . . . . .	1	30	L99312	O- Ring, Speed Sensor Plug . . . . .	2
12	L98932	Snap Ring, Seat . . . . .	1	31	L99288	Screw, Speed Sensor Port Plug . . .	2
13	L98226	Poppet, Converter Safety Valve . . .	1	32	L500406	Screw, Baffle Hole . . . . .	1
14	L98218	Spring, Converter Safety Valve . . .	1	33	L99294	Washer, Baffle Seal . . . . .	1
15	L98217	Washer, Poppet Retaining . . . . .	1	34	L99285	Screw, Retainer Clip . . . . .	1
16	L99246	Plug . . . . .	1	35	L99294	Washer, Ret. Clip Screw Seal . . . .	1
17	L96015	Plug ( <i>includes item 18</i> ) . . . . .	3	36	L99295	Washer, Ret. Clip Screw . . . . .	1
18	L99284	O-Ring, Plug ( <i>part of item 17</i> ) . . . .	3	37	L99296	Nut, Retainer Clip Screw . . . . .	1
19	L99018	Screw, Plate to Trans Case . . . . .	7				

### Torque Converter Group



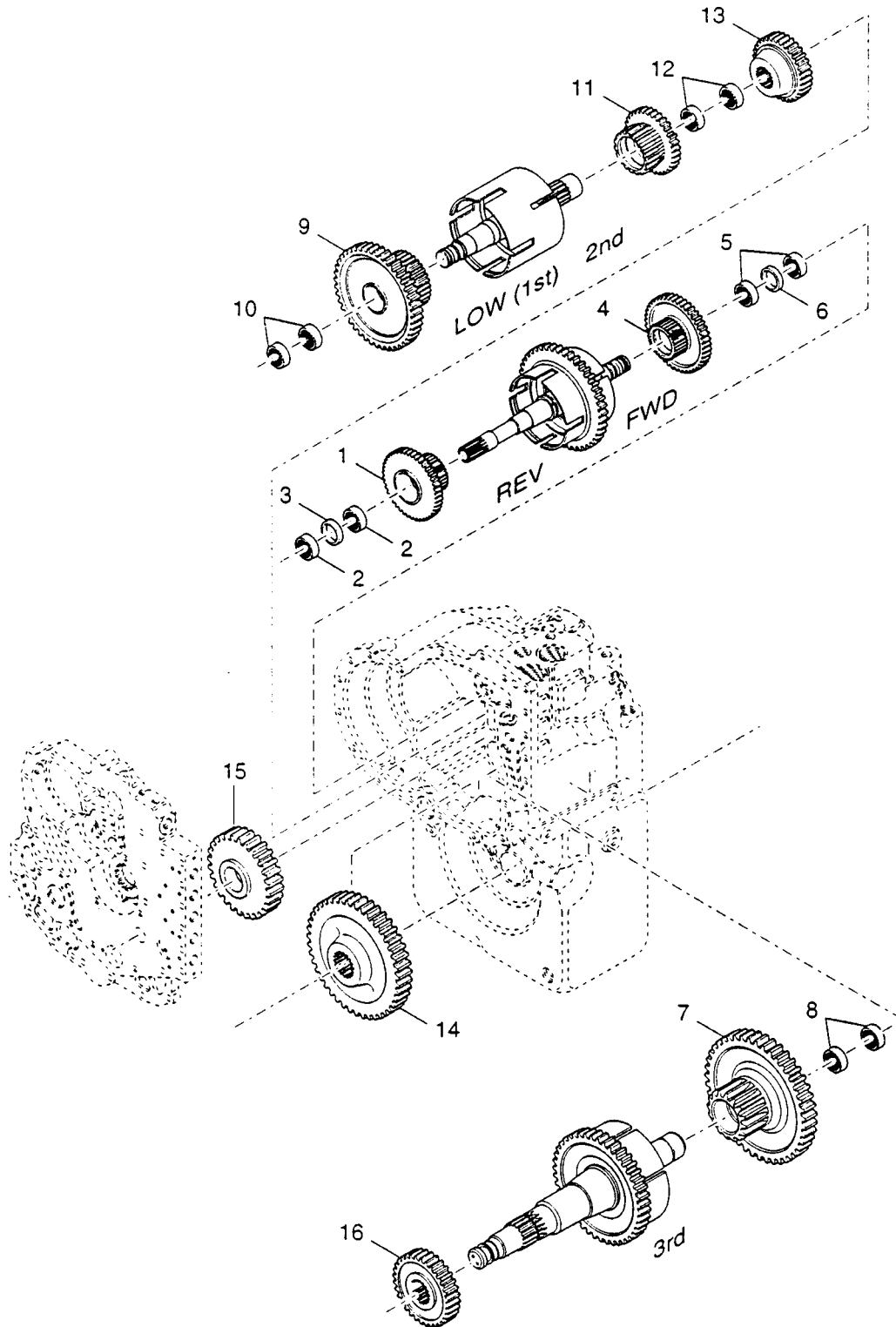
Ref. No.	Part No.	Description	Qty. Req.	Ref. No.	Part No.	Description	Qty. Req.
01	L98203	Asy, Stator Support. . . . .	1	09	L98189	Plug, Torque Converter. . . . .	1
		(Inc. Items 2 & 3)		10	L97525	O-Ring, Torque Converter Plug . . . .	1
02	L98204	Bushing (Inc. in Item 1) . . . . .	1	11	L97526	Snap Ring, Torque Converter Plug .	1
03	L98197	Bearing (Inc. in Item 1). . . . .	1	12	L98199	Gear, Impeller Hub . . . . .	1
04	L98201	Ring, Stator Support Piston . . . . .	1	13	L98191	Snap Ring, Impeller Hub . . . . .	2
05	L98202	Expander, Stator Supt Piston Ring .	1	14	L98205	Washer, Impeller Hub Gear . . . . .	1
06	L98200	Snap Ring, Stator Support . . . . .	2	15	L98198	Bearing, Torque Conv. . . . .	1
07	L98194	Seal, Conv. Hsg. Oil. . . . .	1	16	L98196	Ring, Oil Distributor . . . . .	1
08	L500294	Asy, Torque Converter. . . . .	1				

**Pump Drive Group**



Ref. No.	Part No.	Description	Qty. Req.	Ref. No.	Part No.	Description	Qty. Req.
01	L98945	Asy., Pump Drive Shaft & Pin . . . . .	1	04	L98943	Bearing, Idler Gear. . . . .	1
		<i>(Incl. Item 2)</i>		05	L98211	Gear, Pump Drive. . . . .	1
02	L98947	Roll Pin <i>(Incl. in Item 1)</i> . . . . .	1	06	L98942	Washer, Pump Drive Idler Thrust . . . . .	2
03	L98944	Gear, Pump Drive Idler. . . . .	1	07	L98212	Snap Ring, Pump Drive Ret . . . . .	1

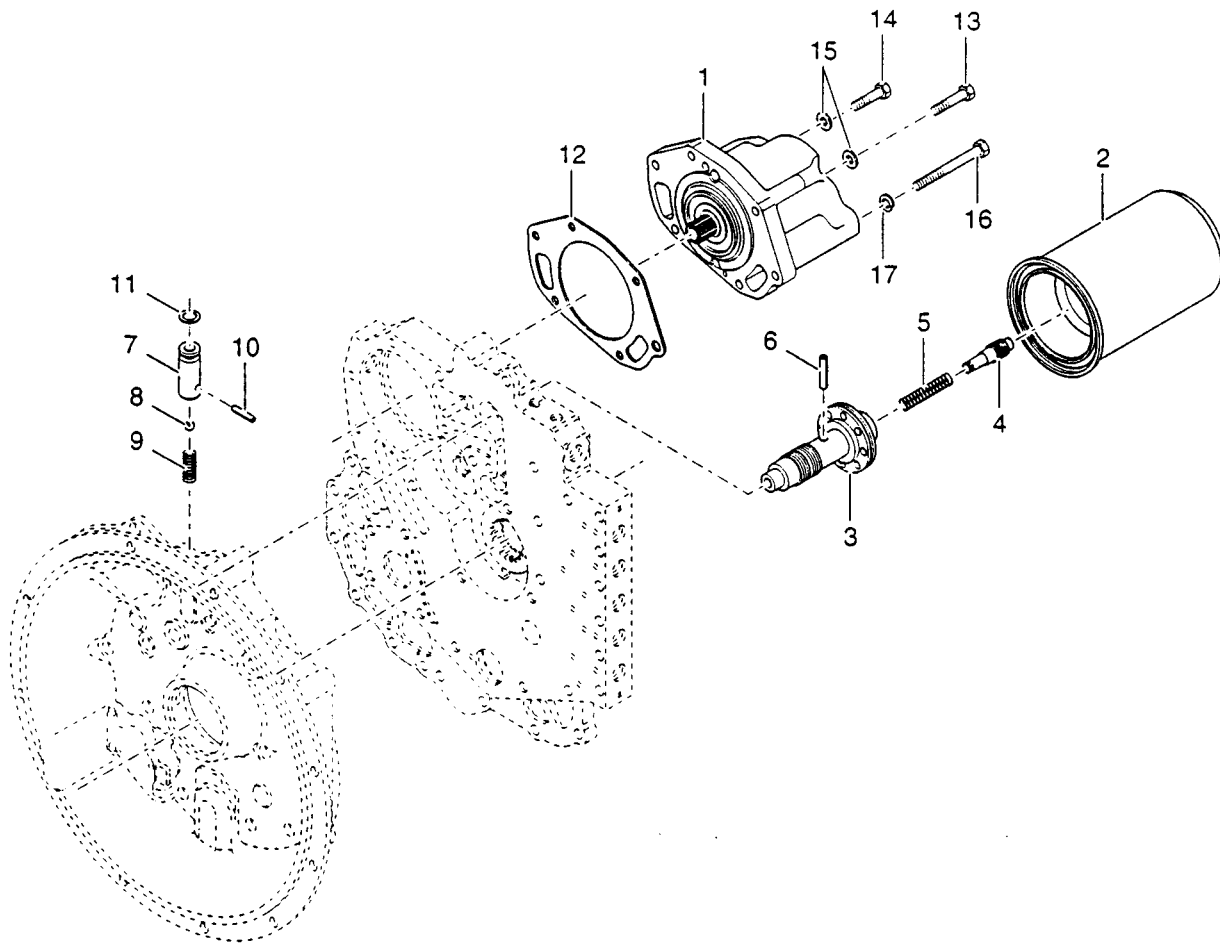
### Gear Group



***Gear Group***

<b>Ref. No.</b>	<b>Part No.</b>	<b>Description</b>	<b>Qty. Req.</b>	<b>Ref. No.</b>	<b>Part No.</b>	<b>Description</b>	<b>Qty. Req.</b>
01	L98962	Asy, Rev. Clutch Gear & Bearing . . . 1 <i>(Incl. Items 2-3)</i>	1	08	L500408	Bearing, 3rd Clutch Gear . . . . . 2 <i>(Part of Item 7)</i>	2
02	L98253	Bearing, Rev. Clutch Gear . . . . . 2 <i>(Part of Item 1)</i>	2	09	L98968	Asy., 1st Clutch Gear & Bearing . . . 1 <i>(Incl. Item 10)</i>	1
03	L98254	Spacer, Rev. Clutch Gear . . . . . 1 <i>(Part of Item 1)</i>	1	10	L98253	Bearing, Rev. Clutch Gear . . . . . 2 <i>(Part of Item 1)</i>	2
04	L98255	Asy., Fwd. Clutch Gear & Brg. . . . . 1 <i>(Incl. Items 5 &amp; 6)</i>	1	11	L98276	Asy., 2nd Clutch Gear & Bearing . . . 2 <i>(Incl. Item 12)</i>	2
05	L98253	Brg., Rev. Clutch Gear . . . . . 2 <i>(Part of Item 1)</i>	2	12	L98253	Bearing, Rev. Clutch Gear . . . . . 2 <i>(Part of Item 1)</i>	2
06	L98254	Spacer, Rev. Clutch Gear . . . . . 1 <i>(Part of Item 1)</i>	1	13	L98277	Gear, 3rd Driven. . . . . 1	1
07	L500407	Asy, 3rd Clutch Gear & Bearing . . . 1 <i>(Incl. Item 8)</i>	1	14	L98284	Gear, Output Shaft . . . . . 1	1
				15	L98955	Gear, Reverse Idler . . . . . 1	1
				16	L500409	Gear, 1st Driven . . . . . 1	1

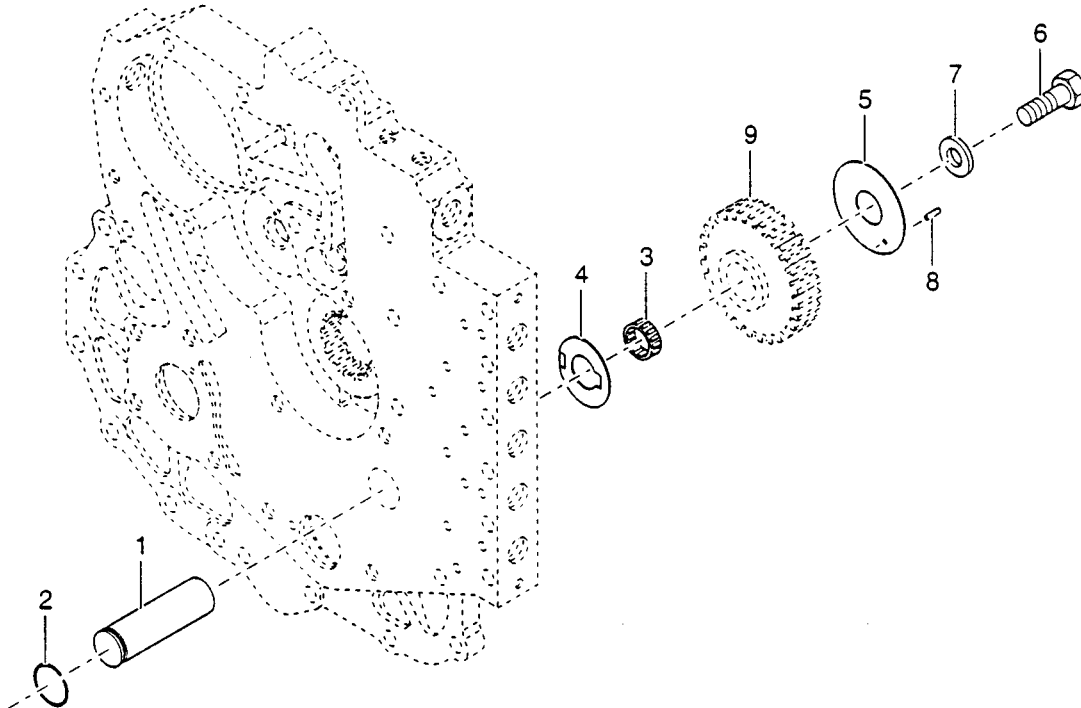
*Charge Pump Group*



***Charge Pump Group***

<b>Ref. No.</b>	<b>Part No.</b>	<b>Description</b>	<b>Qty. Req.</b>	<b>Ref. No.</b>	<b>Part No.</b>	<b>Description</b>	<b>Qty. Req.</b>
01	L98220	Asy.,Charging Pump. . . . .	1	10	L98214	Pin, Check Valve . . . . .	1
02	L99184	Assembly, Hyd. Spin Filter . . . . .	1	11	L98948	O-Ring . . . . .	1
03	L98953	Sleeve, Regulator Valve . . . . .	1	12	L98219	Gasket, Charging Pump. . . . .	1
04	L98950	Piston, Regulator Valve . . . . .	1	13	L99025	Screw, Pump Mounting. . . . .	4
05	L98951	Spring, Regulator Valve . . . . .	1	14	L99023	Screw, Pump Mounting. . . . .	1
06	L98224	Pin . . . . .	1	15	L99020	Lockwasher, Pump Mtg. Screw. . . . .	5
07	L98949	Asy., Ball Check Valve . . . . . <i>(Incl. Items 7 thru 11)</i>	1	16	L99027	Screw, Pump Mounting. . . . .	1
08	L98215	Ball . . . . .	1	17	L99029	Lockwasher, Pump Mtg. Screw. . . . .	1
09	L98216	Spring, Check Valve. . . . .	1	18	L98954	Asy., Regulator Valve . . . . . <i>(Incl. Items 3 thru 6)</i>	1

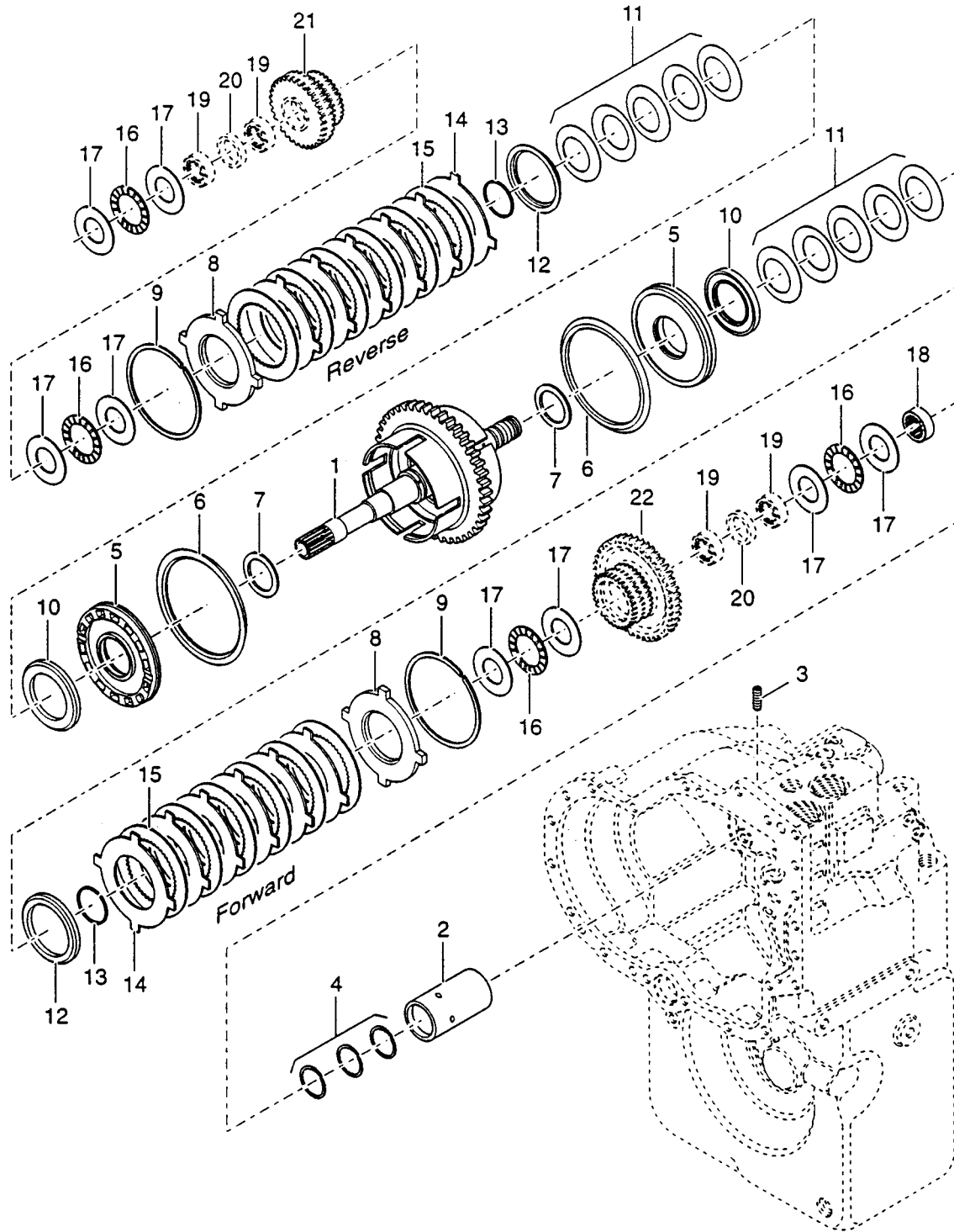
*Reverse Idler Group*



***Reverse Idler Group***

<b>Ref. No.</b>	<b>Part No.</b>	<b>Description</b>	<b>Qty. Req.</b>	<b>Ref. No.</b>	<b>Part No.</b>	<b>Description</b>	<b>Qty. Req.</b>
01	L98229	Shaft, Idler & Pilot . . . . .	1	06	L99031	Capscrew, Rev. Idler End Plate . . .	1
02	L98228	Snap Ring, Idler Shaft . . . . .	1	07	L99032	Washer, End Plate Capscrew . . . . .	1
03	L98231	Bearing, Reverse Idler Gear . . . . .	1	08	L98233	Roll Pin, End Plate to Shaft . . . . .	1
04	L98230	Washer, Thrust . . . . .	1	09		Reverse Idler Gear . . . . .	1
05	L98232	Plate, End . . . . .	1			(See Gear Group)	

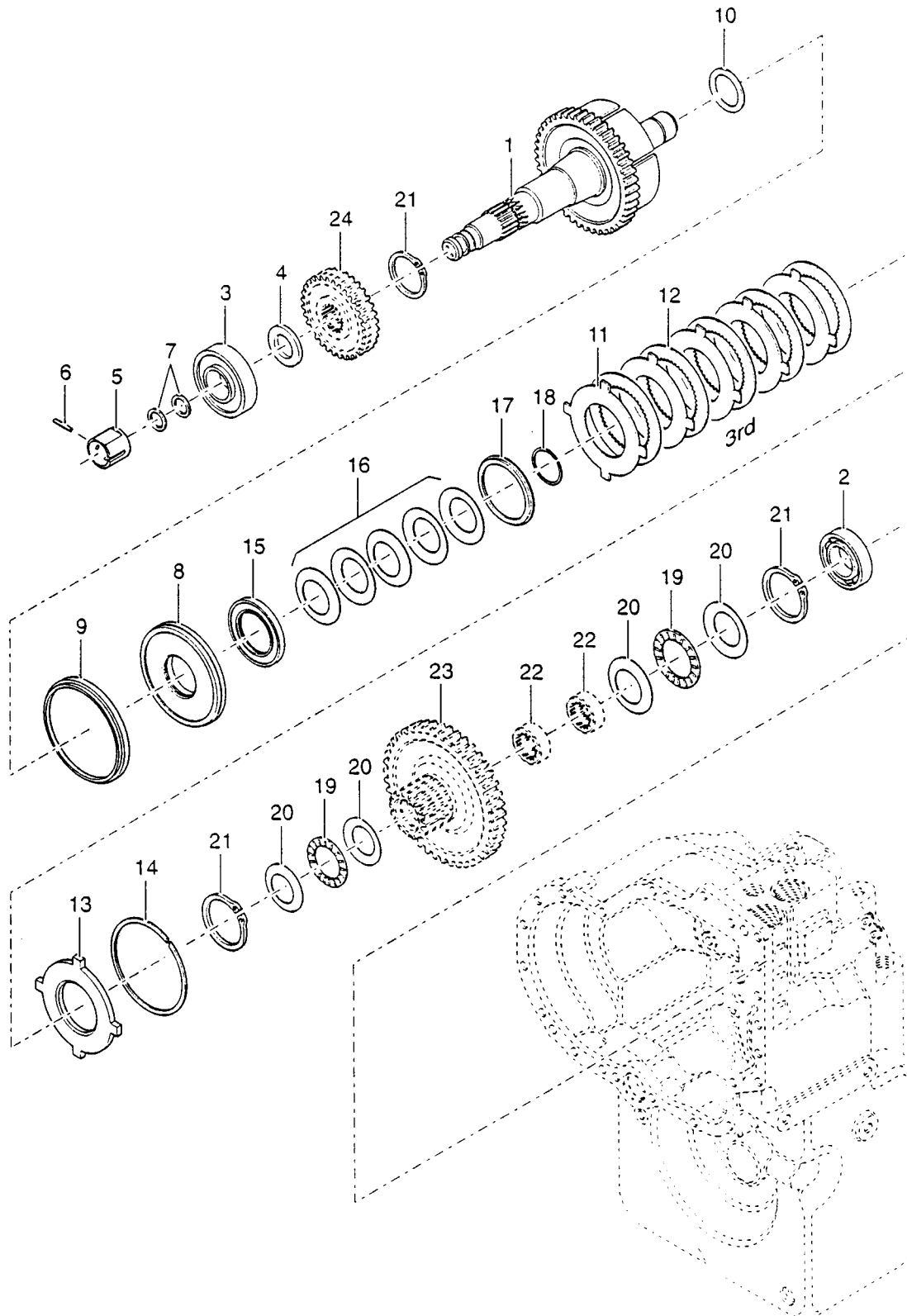
### Forward & Reverse Shaft Group



***Forward & Reverse Shaft Group***

<b>Ref. No.</b>	<b>Part No.</b>	<b>Description</b>	<b>Qty. Req.</b>	<b>Ref. No.</b>	<b>Part No.</b>	<b>Description</b>	<b>Qty. Req.</b>
01	L98248	Asy., Turbine Shaft Drum & Plug . . .	1	14	L98240	Disc, Outer (6 Fwd. - 6 Rev.) . . . .	12
02	L98251	Sleeve, Oil Distributor. . . . .	1	15	L98239	Disc, Inner (6 Fwd. - 6 Rev.) . . . .	12
03	L98252	Screw, Retainer . . . . .	1	16	L98236	Bearing, Clutch Gear Thrust . . . . .	4
04	L98250	Ring, Piston . . . . .	3	17	L98235	Washer, Clutch Gear Thrust . . . . .	8
05	L99278	Asy., Piston & Seals . . . . . (Incl. Items 6 and 7)	2	18	L98249	Bearing, Turbine Shaft Rear . . . . .	1
06	L98246	Seal, Clutch Piston - Outer . . . . .	2	19		Bearing, Clutch Gear . . . . . (See Gear Group)	4
07	L98247	Seal, Clutch Piston - Inner . . . . .	2	20		Spacer, Clutch Gear Bearing . . . . . (See Gear Group)	2
08	L98238	Plate, End . . . . .	2	21		Gear, Reverse Clutch . . . . . (See Gear Group)	1
09	L98237	Snap Ring, End Plate . . . . .	2	22		Gear, Forward Clutch . . . . . (See Gear Group)	1
10	L98244	Plate, Clutch Piston Wear . . . . .	2				
11	L98961	Asy., Disc Spring ( Incl. 5 Washers)	2				
12	L98242	Retainer, Snap Ring . . . . .	2				
13	L98241	Snap Ring, Retainer . . . . .	2				

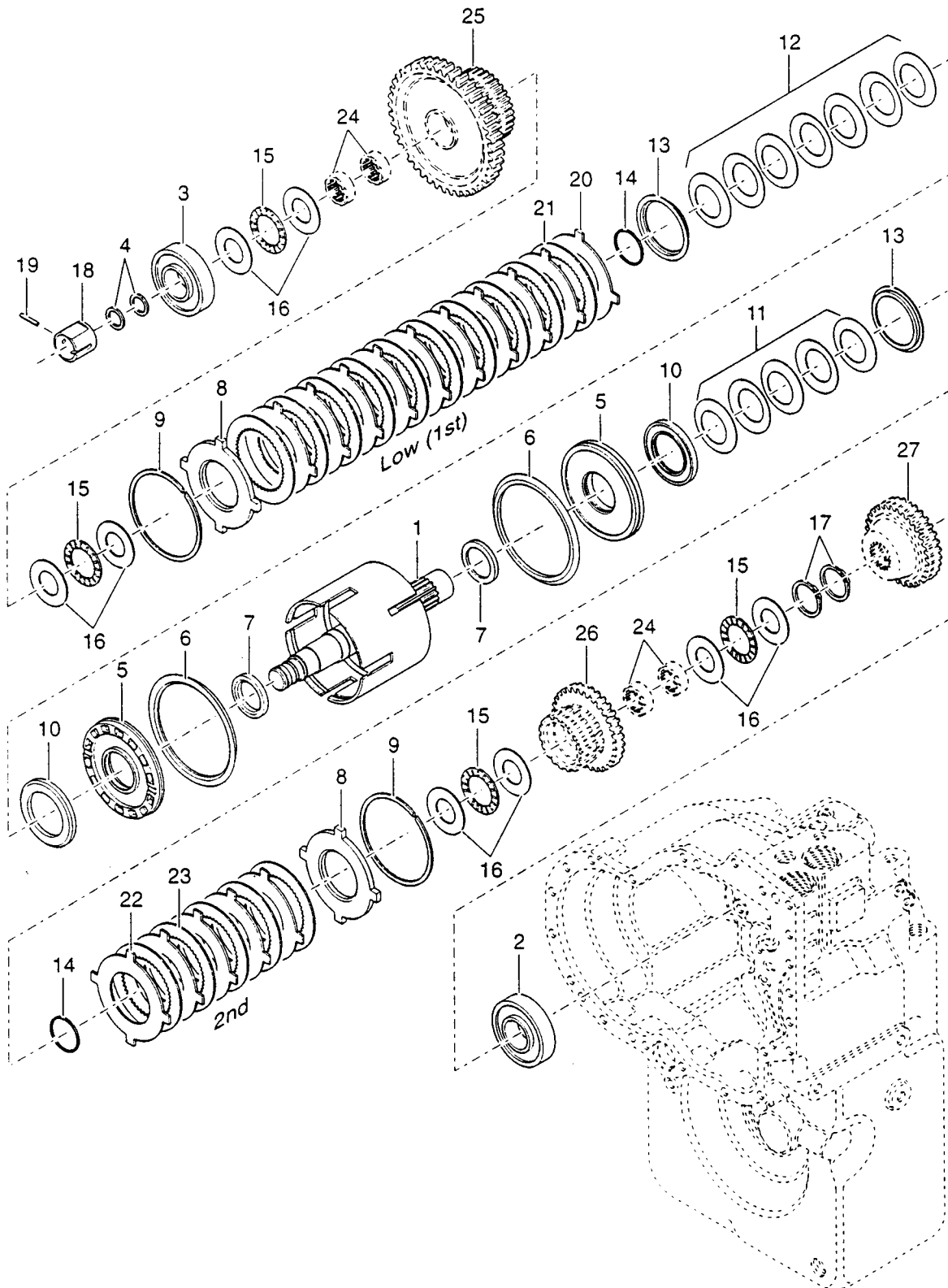
### 3rd Shaft Group



**3rd Shaft Group**

Ref. No.	Part No.	Description	Qty. Req.	Ref. No.	Part No.	Description	Qty. Req.
01	L500410	Asy., 3rd Shaft, Drum, & Plug . . . . .	1	13	L98238	Plate, End . . . . .	1
02	L500411	Bearing, Roller . . . . .	1	14	L98237	Snap Ring, End Plate . . . . .	1
03	L500273	Asy., Bearing & Seal . . . . .	1	15	L98244	Plate, Clutch Piston Wear . . . . .	1
04	L500412	Washer, Bearing Support . . . . .	1	16	L98961	Asy., Disc Spring ( <i>Incl. 5 washers</i> ) . . . . .	1
05	L98258	Sleeve, Oil Distributor . . . . .	1	17	L98242	Retainer, Snap Ring . . . . .	1
06	L98257	Screw, Sleeve Locating . . . . .	1	18	L98241	Snap Ring, Retainer . . . . .	1
07	L98250	Ring, Piston . . . . .	2	19	L500413	Bearing, Thrust Needle Roller . . . . .	2
08	L99279	Asy., Piston & Seals . . . . . ( <i>Incl. Items 9 and 10</i> )	1	20	L500414	Washer, Clutch Gear Thrust . . . . .	4
09	L98246	Seal, Clutch Piston-Outer . . . . . ( <i>Part of Item 8</i> )	1	21	L99696	Snap Ring, Retainer . . . . .	3
10	L98247	Seal, Clutch Piston-Inner . . . . . ( <i>Part of Item 8</i> )	1	22		Bearing, 3rd Clutch Gear . . . . .	2
11	L98240	Disc., Outer . . . . .	5			( <i>See Gear Group</i> )	
12	L98239	Disc, Inner . . . . .	5	23		Gear, 3rd Clutch . . . . .	1
						( <i>See Gear Group</i> )	
				24		Gear, First Drive . . . . .	1
						( <i>See Gear Group</i> )	

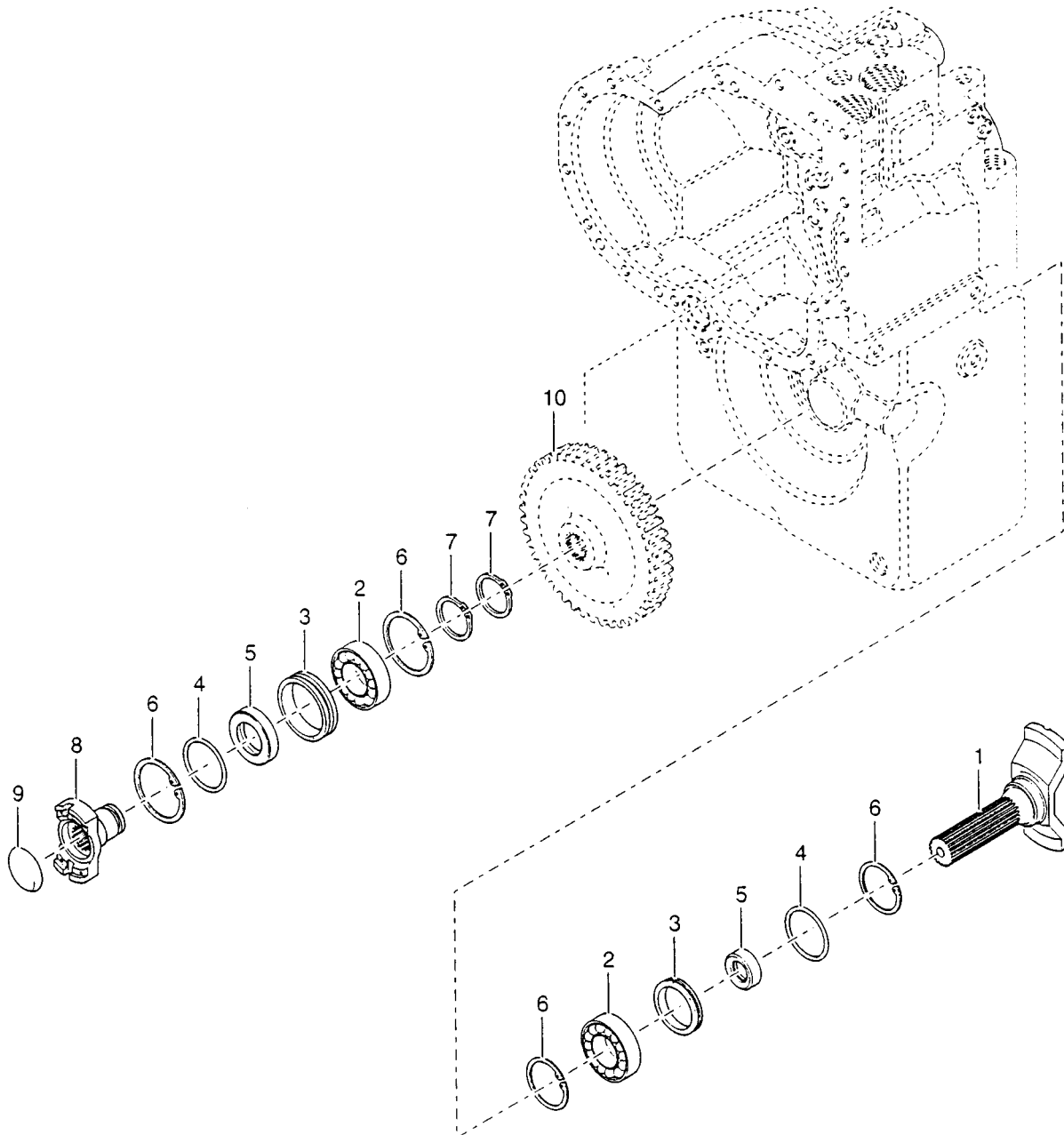
### 1st & 2nd Shaft Group



***1st & 2nd Shaft Group***

<b>Ref. No.</b>	<b>Part No.</b>	<b>Description</b>	<b>Qty. Req.</b>	<b>Ref. No.</b>	<b>Part No.</b>	<b>Description</b>	<b>Qty. Req.</b>
01	L500415	Asy., 1st & 2nd Shaft, Drum & Plug	1	16	L98235	Washer, Clutch Gear Thrust . . . . .	8
02	L98275	Bearing, Roller . . . . .	1	17	L98260	Snap Ring, 2nd Clutch Gear Hub . . .	2
03	L500273	Asy., Bearing & Seal . . . . .	1	18	L98272	Sleeve, Oil Distributor . . . . .	1
04	L98250	Ring, Piston . . . . .	2	19	L98257	Screw, Sleeve Locating . . . . .	1
05	L99038	Asy., Piston & Seals . . . . . <i>(Incl. Items 6 &amp; 7)</i>	2	20	L98240	Disc, Outer - 1st . . . . .	10
06	L98246	Seal, Clutch Piston - Outer . . . . .	2	21	L98239	Disc, Inner - 1st . . . . .	10
07	L98247	Seal, Clutch Piston - Inner . . . . .	2	22	L98240	Disc, Outer - 2nd . . . . .	5
08	L98238	Plate, End . . . . .	2	23	L98239	Disc, Inner - 2nd . . . . .	5
09	L98237	Snap Ring, End Plate . . . . .	2	24		Bearing, Clutch Gear . . . . . <i>(See Gear Group)</i>	4
10	L98244	Plate, Clutch Piston Wear . . . . .	2	25		Gear, 1st Clutch . . . . . <i>(See Gear Group)</i>	1
11	L98961	Asy., Disc Spring-2nd . . . . .	1	26		Gear, 2nd Clutch . . . . . <i>(See Gear Group)</i>	1
12	L500416	Asy., Disc Spring-1st . . . . .	1	27		Gear, 3rd Driven . . . . . <i>(See Gear Group)</i>	1
13	L98242	Retainer, Snap Ring . . . . .	2				
14	L98241	Snap Ring, Retainer . . . . .	2				
15	L98236	Brg., Clutch Gear Thrust . . . . .	4				

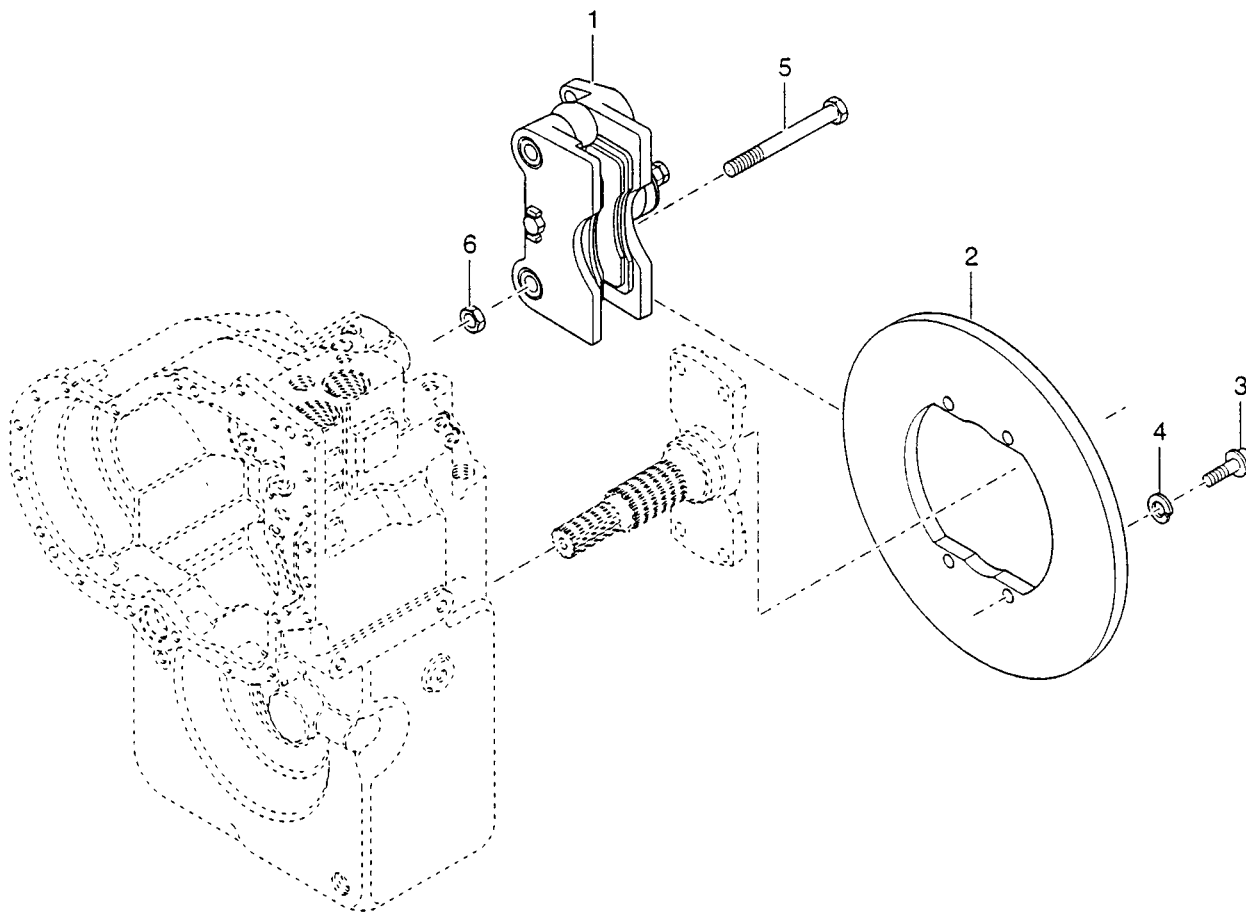
*Output Shaft Group*



***Output Shaft Group***

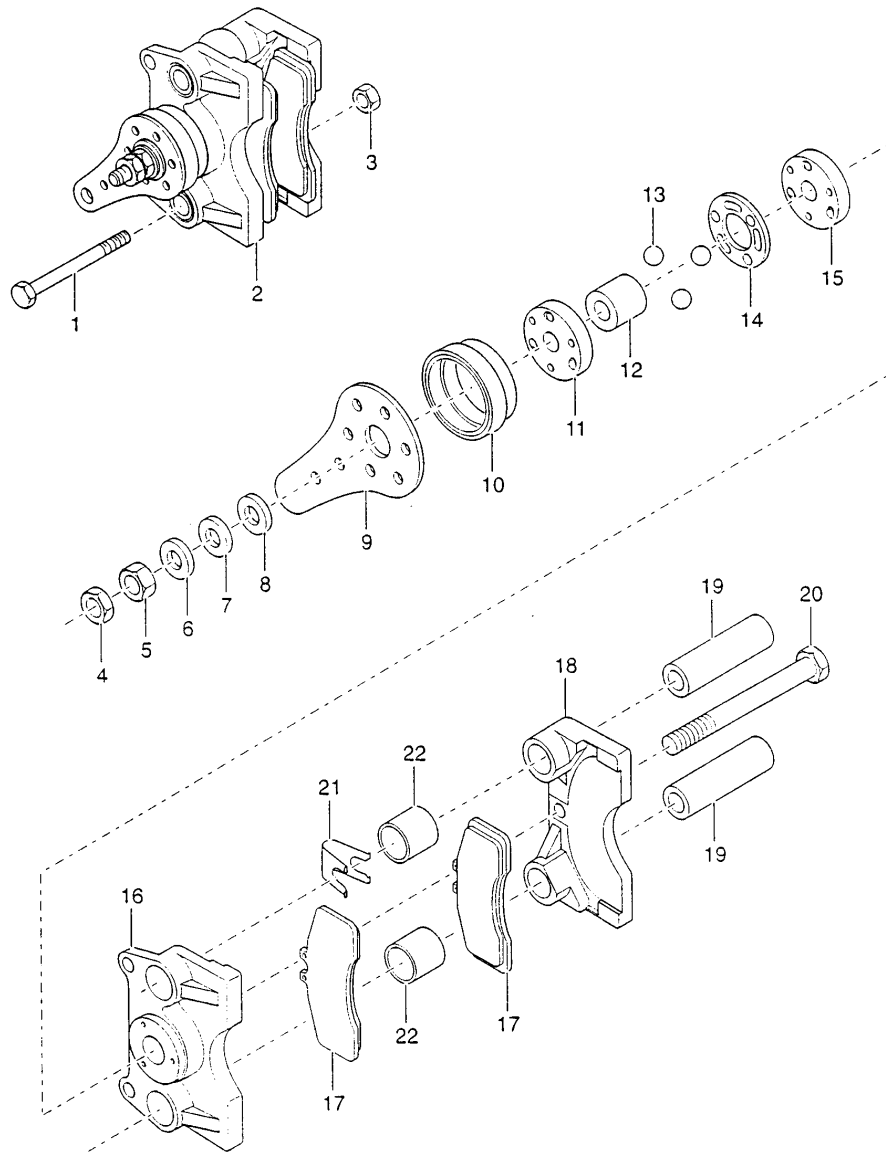
<b>Ref. No.</b>	<b>Part No.</b>	<b>Description</b>	<b>Qty. Req.</b>	<b>Ref. No.</b>	<b>Part No.</b>	<b>Description</b>	<b>Qty. Req.</b>
01	L500274	Shaft, Output . . . . .	1	08	L98279	Asy., Output Flange & Plug . . . . . <i>(Incl. Item 9)</i>	1
02	L98282	Bearing, Output Shaft. . . . .	2	09	L98278	Plug, Flange. . . . . <i>(Part of Item 8)</i>	1
03	L98281	Sleeve, Oil Seal . . . . .	2	10		Gear, Output Shaft . . . . . <i>(See Gear Group)</i>	1
04	L98268	O-Ring, Oil Seal Sleeve . . . . .	2				
05	L96053	Seal, Output Shaft Oil. . . . .	2				
06	L98264	Snap Ring, Output Shaft Brg. . . . .	4				
07	L98266	Snap Ring, Gear & Brg. Retaining . . . . .	2				

**Disc Brake Group**



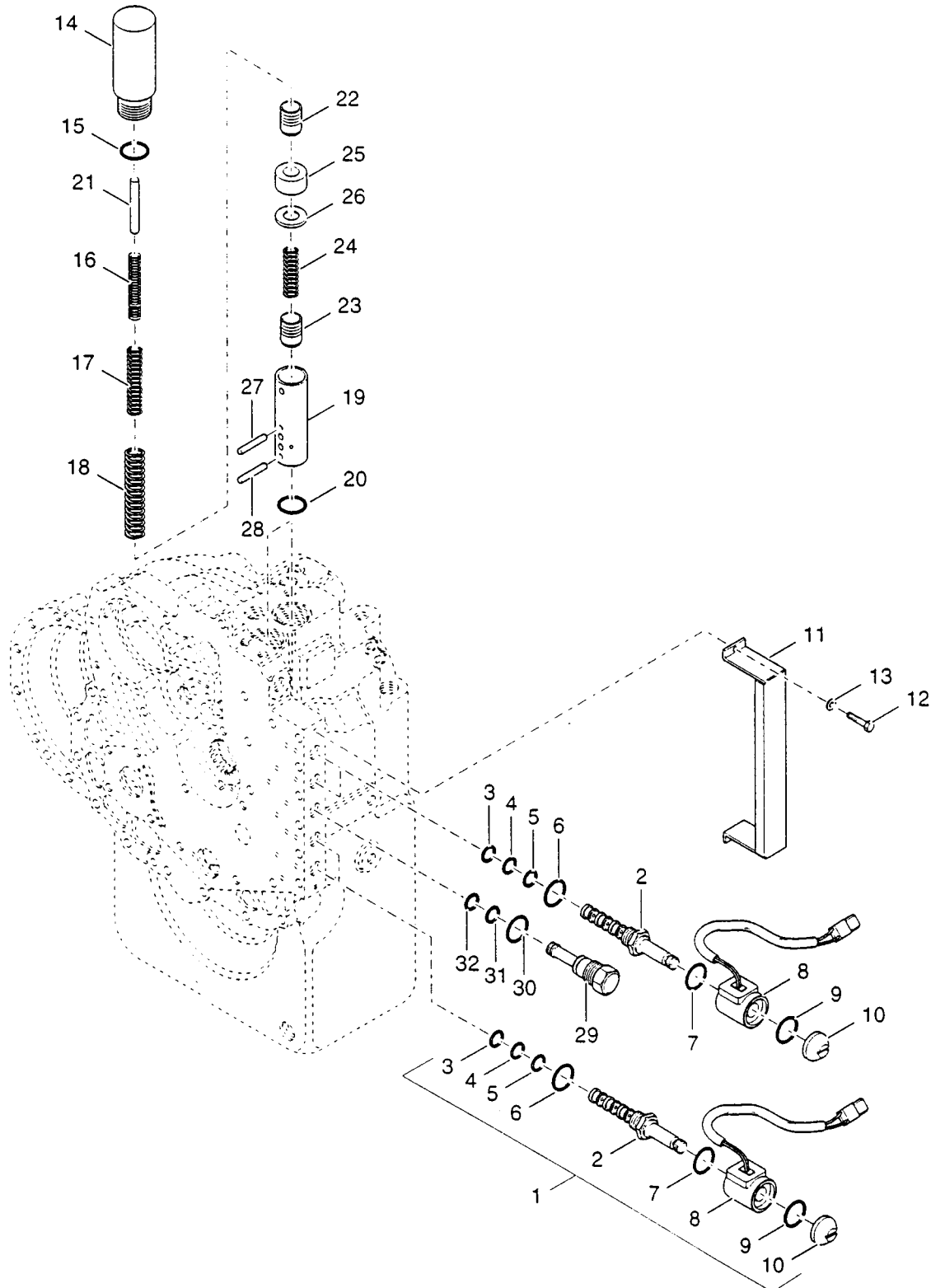
Ref. No.	Part No.	Description	Qty. Req.	Ref. No.	Part No.	Description	Qty. Req.
01	L500417	Asy., Caliper. . . . .	1	04	L98617	Lockwasher, Brake Disc Capscrew. . . . .	4
02	L98287	Disc, Brake . . . . .	1	05	L500418	Capscrew, Caliper Asy. Mntg. . . . .	2
03	L500276	Capscrew, Brake Disc . . . . .	4	06	L99040	Nut, Caliper Asy. Capscrew Lock . . . . .	2

### Brake Caliper Assembly



Ref. No.	Part No.	Description	Qty. Req.	Ref. No.	Part No.	Description	Qty. Req.
01		Brake Mounting Screw . . . . .	2	13	L99305	Ball . . . . .	3
		(See Disc Brake Group)		14	L99306	Plastic Retainer . . . . .	1
02	L500417	Brake Asy. (Incl Items 4 thru 22) . . .	1	15	L99304	Cam. . . . .	1
03		Brake Mntg Screw Nut . . . . .	2	16	NSS	Torque Plate Front (Part of Item 2) .	1
		(See Disc Brake Group)		17	NSS	Carrier & Lining Asy (See Item 23) .	2
04	L500419	Jam Adjusting Nut . . . . .	1	18	NSS	Torque Plate Rear (Part of Item 2) .	1
05	L500420	Adjusting Nut . . . . .	1	19	L500424	Mounting Sleeve . . . . .	2
06	L500421	Hardened Washer . . . . .	1	20	L500425	Adjusting Bolt. . . . .	1
07	L500422	Stainless Steel Washer. . . . .	1	21	NSS	Spring (See Item 23) . . . . .	1
08	NSS	Thrust Washer (See Item 24)		22	L500426	Sleeve Seal . . . . .	2
09	L500423	Lever . . . . .	1	23	L500427	Brake Asy. Lining Kit . . . . .	1
10	NSS	Boot (See Item 24)				(Inc. Items 17 & 21)	
11	L99304	Cam. . . . .	2	24	L500428	Hardware Parts Kit. . . . .	1
12	NSS	Id. Seal (See Item 24) . . . . .	1			(Incl. Items 8, 10, 12, & 23)	

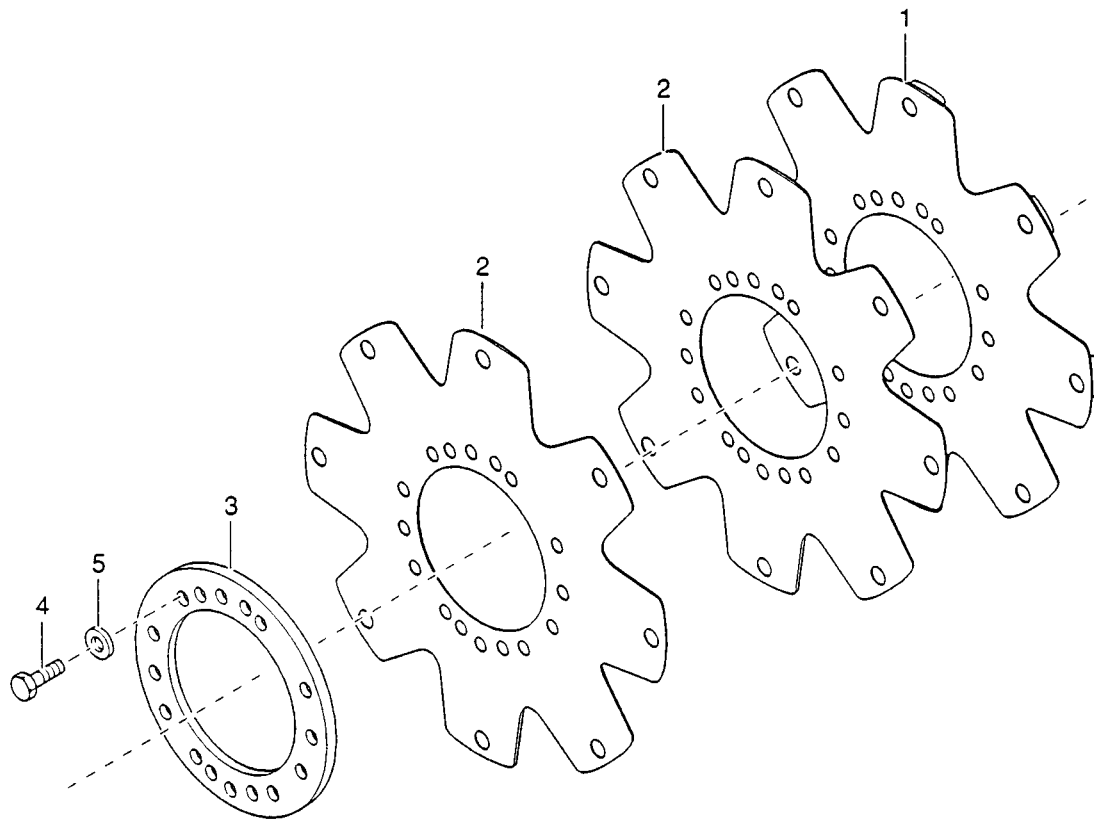
### Electric Control Group



***Electric Control Group***

<b>Ref. No.</b>	<b>Part No.</b>	<b>Description</b>	<b>Qty. Req.</b>	<b>Ref. No.</b>	<b>Part No.</b>	<b>Description</b>	<b>Qty. Req.</b>
01	L98960	Asy., Solenoid . . . . .	4	15	L98292	O-Ring, Modulator Housing . . . . .	1
		<i>(Incl. Items 2 thru 10)</i>		16	L500429	Spring, Inner . . . . .	2
02	L98314	Cartridge, Valve 4 Way . . . . .	4	17	L98295	Spring - Middle . . . . .	2
		<i>(Incl. Items 3 thru 6)</i>		18	L98304	Spring - Outer . . . . .	2
03	L98313	O-Ring, Cartridge <i>(Part of Item 2)</i> . .	4	19	L98298	Sleeve, Modulation Valve . . . . .	2
04	L98312	O-Ring, Cartridge <i>(Part of Item 2)</i> . .	4	20	L98307	O-Ring, Sleeve . . . . .	2
05	L98311	O-Ring, Cartridge <i>(Part of Item 2)</i> . .	4	21	L98293	Pin, Stop . . . . .	2
06	L98310	O-Ring, Cartridge <i>(Part of Item 2)</i> . .	4	22	L98303	Spool, Accumulator . . . . .	2
07	L98307	O-Ring, Coil to Cartridge . . . . .	4	23	L98958	Spool, Regulator . . . . .	2
		<i>(Part of Item 1)</i>		24	L98300	Spring, Modulator Valve . . . . .	2
08	L98308	Coil, Solenoid <i>(Part of Item 1)</i> . . . .	4	25	L98302	Retainer, Spring . . . . .	2
09	L98307	O-Ring, Nut to Coil <i>(Part of Item 1)</i> .	4	26	L98301	Spacer, Spring . . . . .	2
10	L99036	Nut, Valve Cartridge Retainer . . . . .	4	27	L98956	Pin, Upper . . . . .	2
		<i>(Part of Item 1)</i>		28	L98957	Pin, Lower . . . . .	2
11	L98305	Cover, Protective . . . . .	1	29	L98315	Plug, Solenoid Bore . . . . .	1
12	L99035	Screw, Cover . . . . .	2	30	L98310	O-Ring, Plug . . . . .	1
13	L99034	Lockwasher, Cover Screw . . . . .	2	31	L98311	O-Ring, Plug . . . . .	1
14	L98291	Housing, Modulator Valve . . . . .	2	32	L98313	O-Ring, Plug . . . . .	1

**Drive Plate Group**



Ref. No.	Part No.	Description	Qty. Req.	Ref. No.	Part No.	Description	Qty. Req.
01	NSS	Asy., Drive Plate . . . . .	1	04	L99785	Screw, Drive Plate Mounting . . . . .	6
		<i>(Incl. in Item 6)</i>		05	L99030	Lockwasher, Mounting Screw . . . . .	6
02	NSS	Plate, Drive . . . . .	2	06	L98317	Kit, Drive Plate . . . . .	1
		<i>(Incl. in Item 6)</i>				<i>(Incl. Items 1 thru 5)</i>	
03	L98316	Ring, Drive Plate Backing . . . . .	1				

**Numerical Index**

Part No.	Page No.	Ref. No.	Part No.	Page No.	Ref. No.	Part No.	Page No.	Ref. No.	Part No.	Page No.	Ref. No.
L500273	17	03	L98203	6	01	L98247	17	10	L98311	25	31
L500273	19	03	L98204	6	02	L98247	19	07	L98312	25	04
L500274	21	01	L98205	6	14	L98248	15	01	L98313	25	03
L500276	22	03	L98211	7	05	L98249	15	18	L98313	25	32
L500294	6	08	L98212	7	07	L98250	19	04	L98314	25	02
L500404	5	01	L98214	11	10	L98250	15	04	L98315	25	29
L500405	5	10	L98215	11	08	L98250	17	07	L98316	26	03
L500406	5	32	L98216	11	09	L98251	15	02	L98317	26	06
L500407	9	07	L98217	5	15	L98252	15	03	L98617	22	04
L500408	9	08	L98218	5	14	L98253	9	02	L98734	5	27
L500409	9	16	L98219	11	12	L98253	9	05	L98735	5	28
L500410	17	01	L98220	11	01	L98253	9	10	L98926	5	07
L500411	17	02	L98224	11	06	L98253	9	12	L98927	5	06
L500412	17	04	L98226	5	13	L98254	9	03	L98932	5	12
L500413	17	19	L98228	13	02	L98254	9	06	L98935	5	11
L500414	17	20	L98229	13	01	L98255	9	04	L98938	3	14
L500415	19	01	L98230	13	04	L98257	17	06	L98942	7	06
L500416	19	12	L98231	13	03	L98257	19	19	L98943	7	04
L500417	22	01	L98232	13	05	L98258	17	05	L98944	7	03
L500417	23	02	L98233	13	08	L98260	19	17	L98945	7	01
L500418	22	05	L98235	15	17	L98264	21	06	L98947	7	02
L500419	23	04	L98235	19	16	L98266	21	07	L98948	11	11
L500420	23	05	L98236	15	16	L98268	21	04	L98949	11	07
L500421	23	06	L98236	19	15	L98272	19	18	L98950	11	04
L500422	23	07	L98237	15	09	L98275	19	02	L98951	11	05
L500423	23	09	L98237	17	14	L98276	9	11	L98953	11	03
L500424	23	19	L98237	19	09	L98277	9	13	L98954	11	18
L500425	23	20	L98238	15	08	L98278	21	09	L98955	9	15
L500426	23	22	L98238	17	13	L98279	21	08	L98956	25	27
L500427	23	23	L98238	19	08	L98281	21	03	L98957	25	28
L500428	23	24	L98239	15	15	L98282	21	02	L98958	25	23
L500429	25	16	L98239	17	12	L98284	9	14	L98960	25	01
L94824	5	02	L98239	19	21	L98287	22	02	L98961	15	11
L96015	3	02	L98239	19	23	L98291	25	14	L98961	17	16
L96015	3	05	L98240	15	14	L98292	25	15	L98961	19	11
L96015	5	17	L98240	17	11	L98293	25	21	L98962	9	01
L96053	21	05	L98240	19	20	L98295	25	17	L98968	9	09
L97525	6	10	L98240	19	22	L98298	25	19	L99013	5	04
L97526	6	11	L98241	15	13	L98300	25	24	L99018	5	19
L98176	5	09	L98241	17	18	L98301	25	26	L99020	11	15
L98184	5	22	L98241	19	14	L98302	25	25	L99023	11	14
L98185	5	08	L98242	15	12	L98303	25	22	L99025	11	13
L98189	6	09	L98242	17	17	L98304	25	18	L99027	11	16
L98191	6	13	L98242	19	13	L98305	25	11	L99029	11	17
L98194	6	07	L98244	15	10	L98307	25	07	L99029	3	11
L98197	6	03	L98244	17	15	L98307	25	09	L99029	3	13
L98198	6	15	L98244	19	10	L98307	25	20	L99029	5	21
L98199	6	12	L98246	15	06	L98308	25	08	L99030	26	05
L98200	6	06	L98246	17	09	L98310	25	06	L99031	13	06
L98201	6	04	L98246	19	06	L98310	25	30	L99032	13	07
L98202	6	05	L98247	15	07	L98311	25	05	L99034	25	13

*Numerical Index*

Part No.	Page No.	Ref. No.	Part No.	Page No.	Ref. No.	Part No.	Page No.	Ref. No.
L99035	25	12	L99261	3	10	L99288	5	31
L99036	25	10	L99262	3	07	L99294	5	33
L99038	19	05	L99262	5	25	L99294	5	35
L99040	22	06	L99270	5	26	L99295	5	36
L99045	5	20	L99274	5	23	L99296	5	37
L99184	11	02	L99278	15	05	L99304	23	11
L99246	3	04	L99279	17	08	L99304	23	15
L99246	5	16	L99284	3	03	L99305	23	13
L99246	5	24	L99284	3	06	L99306	23	14
L99249	3	15	L99284	5	18	L99312	5	30
L99251	5	03	L99285	3	08	L99696	17	21
L99253	5	05	L99285	5	34	L99785	26	04
L99260	3	09	L99286	3	01			
L99260	3	12	L99287	5	29			



# **GEHL**®

**GEHL Company** 143 Water Street, P.O. Box 179, West Bend, WI 53095-0179 U.S.A.

**GEHL® CONSTRUCTION**

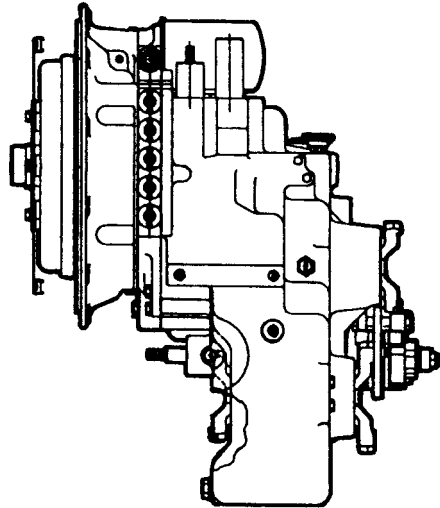
---

# **T12000**

## **Clark**

### **Transmission**

**Model No.**  
**1106-T12366-11**



# **SERVICE PARTS**



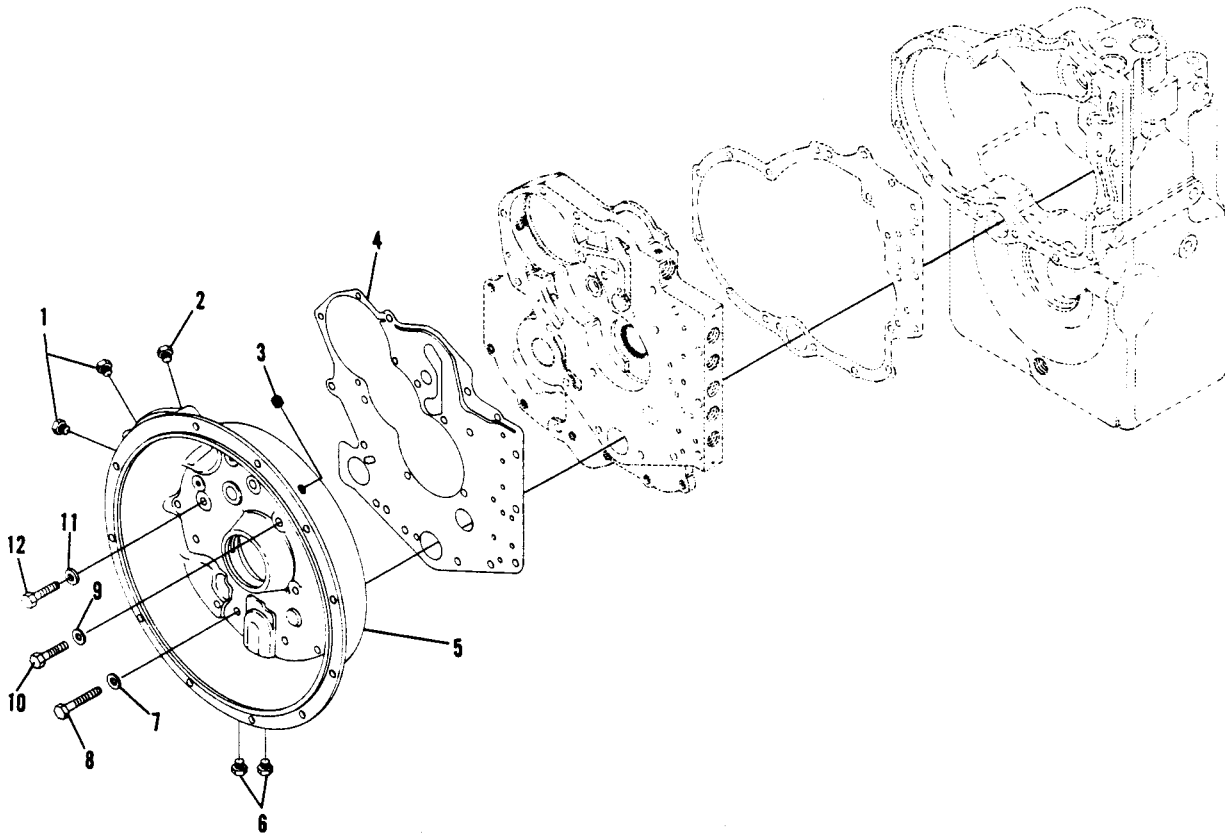
Section Contents . . . . . **9-1**  
4260130 - Special Parts Group . . . . . **9-3**  
4224031 - Converter Housing Group . . . . . **9-4**  
4224083 - Case and Plate Group . . . . . **9-6**  
4224006 - Torque Converter Group . . . . . **9-8**  
267396 - Pump Drive Group . . . . . **9-9**  
4224064 - Charge Pump Group . . . . . **9-10**  
267079 - Reverse Idler Group . . . . . **9-12**  
267169 - Forward/Reverse Shaft Group . . . . . **9-14**  
267185 - 3rd and Output Shaft Group . . . . . **9-16**  
267082 - 1st and 2nd Shaft Group . . . . . **9-18**  
267083 - Output Shaft Group . . . . . **9-20**  
267270 - Disc Brake Group . . . . . **9-22**  
246401 - Brake Caliper Assembly . . . . . **9-23**  
4224059 - Electric Control With Modulation Group . . . . . **9-24**  
267086 - Drive Plate Group . . . . . **9-26**  
Numerical Index . . . . . **9-27**

**This Page Intentionally Blank**

***Special Parts Group***

<b>Ref. No.</b>	<b>Part No.</b>	<b>Description</b>	<b>Qty. Req.</b>	<b>Ref. No.</b>	<b>Part No.</b>	<b>Description</b>	<b>Qty. Req.</b>
<b>PAGE 12/13</b>				<b>PAGE 18/19</b>			
09	L98955	REV. IDLER GEAR (26T) . . . . .	1	43	L98968	1ST CLUTCH GEAR & BRG. ASY (Incl. Items 44,45) . . . . .	1
<b>PAGE 14/15</b>				44	L98253	BEARING. . . . .	1
41	L98253	REV. CLUTCH GEAR BRG. . . . .	1	45	L98253	BEARING. . . . .	1
42	L98254	REV. CLUTCH GEAR SPACER . . .	1	46	L98276	2ND CLUTCH GEAR & BRG. ASY (Incl. Items 47,48)	1
43	L98253	REV. CLUTCH GEAR BRG. . . . .	1	47	L98253	BEARING. . . . .	1
44	L98962	REV. CLUTCH GEAR. . . . .	1	48	L98253	BEARING. . . . .	1
		& BRG. ASY. (Incl. Items 41-43)		49	L98277	3RD DRIVEN GEAR (18T) . . . . .	1
45	L98255	FWD. CLUTCH GEAR . . . . .	1	<b>PAGE 20/21</b>			
		& BRG. ASY. (Incl. Items 46-48)		18	L98284	OUTPUT SHAFT GEAR (40T) . . . . .	1
46	L98253	FWD. CLUTCH GEAR BRG. . . . .	1				
47	L98254	FWD. CLUTCH GEAR SPACER. . .	1				
48	L98253	FWD. CLUTCH GEAR BRG. . . . .	1				
<b>PAGE 16/17</b>							
31	L98965	1ST DRIVE GEAR (29T) . . . . .	1				
32	L98270	3RD GEAR & OUTPUT SHAFT (46T). . . . .	1				

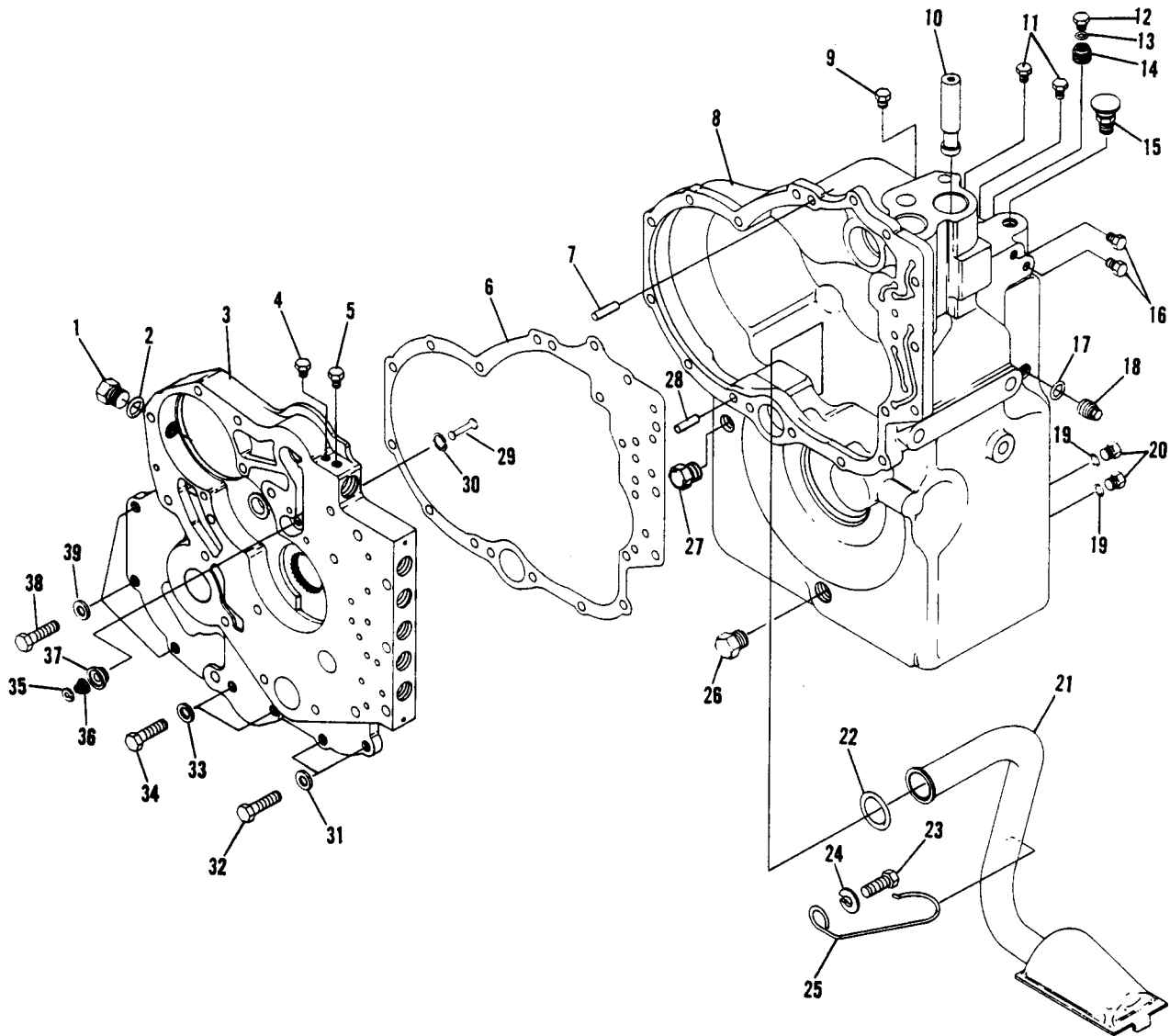
**Converter Housing Group**



***Converter Housing Group***

<b>Ref. No.</b>	<b>Part No.</b>	<b>Description</b>	<b>Qty. Req.</b>	<b>Ref. No.</b>	<b>Part No.</b>	<b>Description</b>	<b>Qty. Req.</b>
01	L99246	Plug (Hi & 3rd Port) NA . . . . .	2	09	L99029	Conv. Housing. to Plate	
02	L99246	Reg. Pressure Port Plug NA . . . . .	1			Screw Lockwasher . . . . .	3
02	L99284	Plug "O"Ring (N.I.) . . . . .	1	10	L99260	Conv. Hsg. to Plate Screw . . . . .	3
03	L97508	Plug . . . . .	1	11	L99029	Conv. Hsg. to Plate . . . . .	6
04	L98938	Housing to Plate Gasket. . . . .	1			Screw Lockwasher	
05	L98939	Converter Housing . . . . .	1	12	L99018	Conv. Hsg. to Plate Screw . . . . .	6
06	L99246	Plug (1st & 2nd Port) . . . . .	2	13	L99261	Conv. Hsg. to Plate Screw (N.I.) . . . . .	1
07	L99029	Conv. Hsg. to Trans. Case		14	L99029	Conv. Hsg. to Plate	
		Screw Lockwasher . . . . .	13			Screw Lockwasher (N.I.) . . . . .	1
08	L99260	Conv. Housing. to Trans.		15	L99262	Check valve Bore Plug (N.I.) . . . . .	1
		Case Screw . . . . .	13				

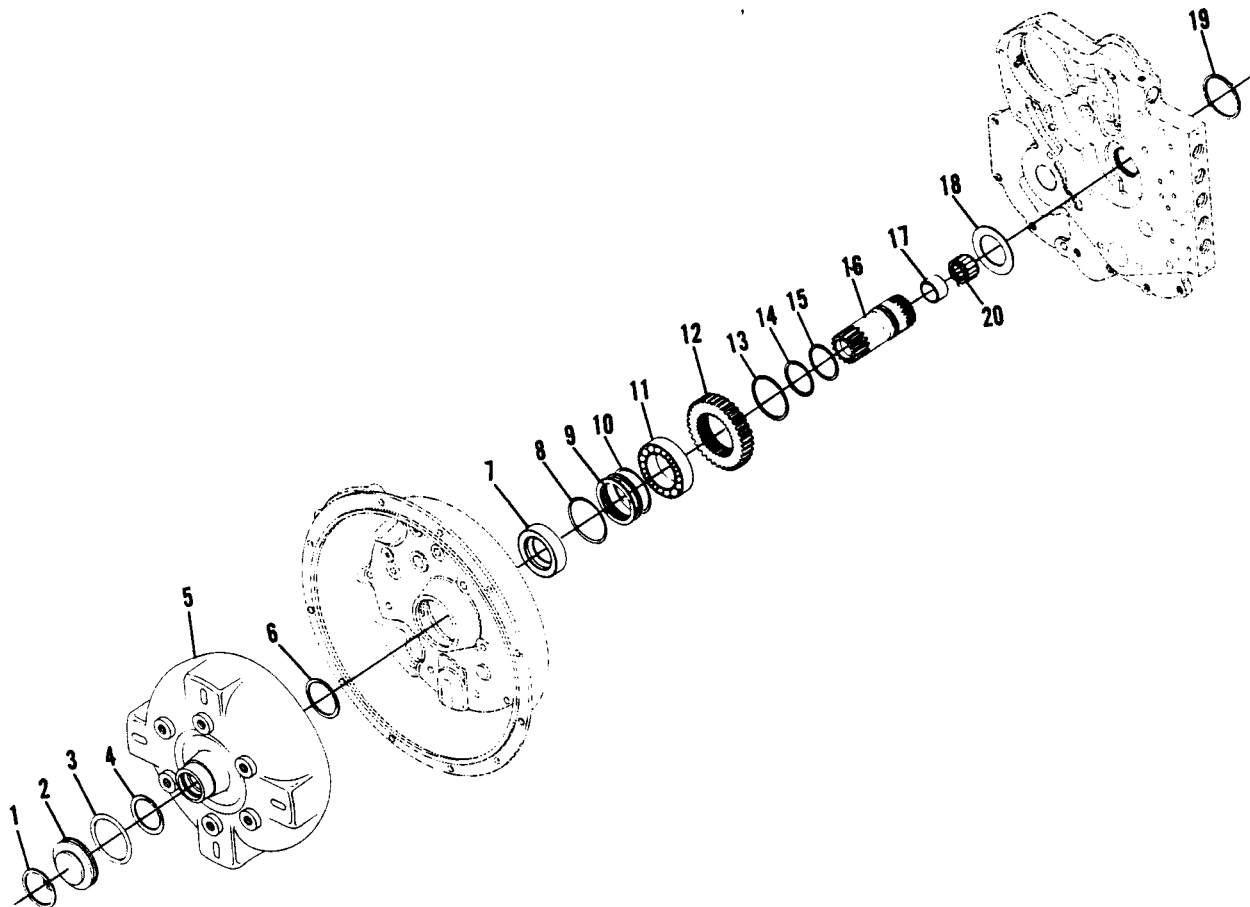
Case & Plate Group



**Case & Plate Group**

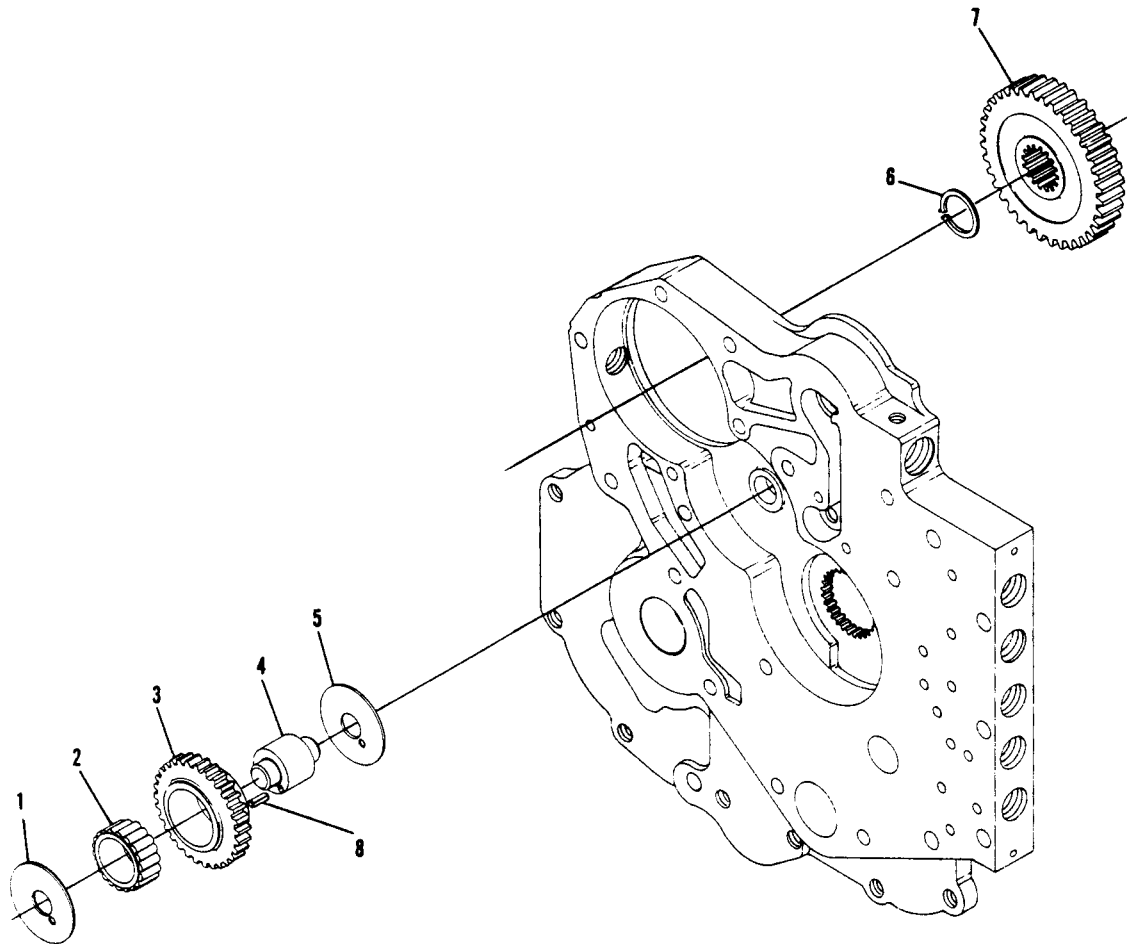
Ref. No.	Part No.	Description	Qty. Req.	Ref. No.	Part No.	Description	Qty. Req.
01	L99248	Sensor Port Plug . . . . .	1	23	L99267	Retainer Clip Screw . . . . .	1
02	L98924	Sensor "O"Ring . . . . .	1	24		(Not Used)	
03	L98925	Spacer Plate . . . . .	1	25	L98176	Oil Supply Tube Retainer Clip. . . . .	1
04	L99246	Inlet Pressure Port Plug . . . . .	1	26	L99253	Magnetic Drain Plug . . . . .	1
05	L99249	Outlet Temperture Port Plug . . . . .	1	27	L99270	Drain Back Port Plug . . . . .	1
06	L98926	Plate to Transmission Case Gasket . . . . .	1	28	L98927	Plate to Transmission Case Dowel Pin . . . . .	1
07	L98927	Plate to Transmission Case Dowel Pin . . . . .	1	29	L98931	Converter Safety Valve Poppet. . . . .	1
08	L98928	Transmission Case. . . . .	1	30	L98932	Seat Snap Ring . . . . .	1
09	L99274	Filler Plug. . . . .	1	31	L99029	Plate to Transmission Case Screw Lockwasher. . . . .	2
10		(Not Used)		32	L99018	Plate to Transmission Case Screw . . . . .	2
11	L99246	Pipe Plug . . . . .	2	33	L99029	Plate to Transmission Case Screw Lockwasher. . . . .	2
12	L99248	Speed Sensor Port Plug . . . . .	1	34	L99045	Plate to Transmission Case Screw . . . . .	3
13	L98924	Sensor Port Plug "O" Ring. . . . .	1	35	L98217	Poppet Washer . . . . .	1
14	L98929	Sensor Adjust. Bushing . . . . .	1	36	L98218	Safety Valve Spring . . . . .	1
14A	I98930	Sensor Adjust. Bushing Shim (N.I.) . . . . .	1	37	L98935	Safety Valve Seat. . . . .	1
15	L94824	Air Breather . . . . .	1	38	L99018	Plate to Transm. Case Screw. . . . .	3
16	L99246	Pipe Plug . . . . .	2	39	L99029	Plate to Transsion Case Screw Lockwasher. . . . .	3
17		(Not Used)		40	L98734	Dipstick Tube (N.I.). . . . .	1
18	L99012	Sensor Port Plug . . . . .	1	41	L98735	Dipstick Asy. (N.I.) . . . . .	1
19	L99013	Plug "O" Ring . . . . .	2				
20	L99251	Oil Level Plug. . . . .	2				
21	L98184	Tube & Screen Assembly . . . . .	1				
22	L98185	Oil Supply Tube Seal Ring . . . . .	1				

**Torque Converter Group**



Ref. No.	Part No.	Description	Qty. Req.	Ref. No.	Part No.	Description	Qty. Req.
01	L98188	Plug Snap Ring . . . . .	1	12	L98199	Impeller Hub Gear (35T). . . . .	1
02	L98189	Torque Converter Plug . . . . .	1	13	L98200	Stator Support Snap Ring. . . . .	1
03	L98190	Torque Converter Plug "O" Ring . . .	1	14	L98201	Stator Support Piston Ring . . . . .	1
04	L98191	Impeller Hub Snap Ring . . . . .	1	15	L98202	Stator Support Piston . . . . .	1
05	L98940	Torque Converter Asy. . . . .	1			Ring Expander	
06	L98191	Impeller Hub Snap Ring . . . . .	1	16	L98203	Stator Support Asy . . . . .	1
07	L98194	Conv. Hsg. Oil Seal . . . . .	1			(Inc. Item 17 & 20)	
08	L98195	Oil Distributor Ring "O"Ring . . . . .	1	17	L98204	Bushing (Inc. in Item 16) . . . . .	1
09	L98196	Oil Distributor Ring . . . . .	1	18	L98205	Impeller Hub Gear Washer . . . . .	1
10	L98195	Oil Distributor Ring "O"Ring . . . . .	1	19	L98206	Stator Support Snap Ring. . . . .	1
11	L98198	Torque Conv. Bearing. . . . .	1	20	L98197	Bearing (Inc. In Item #16). . . . .	1

**Pump Drive Group**



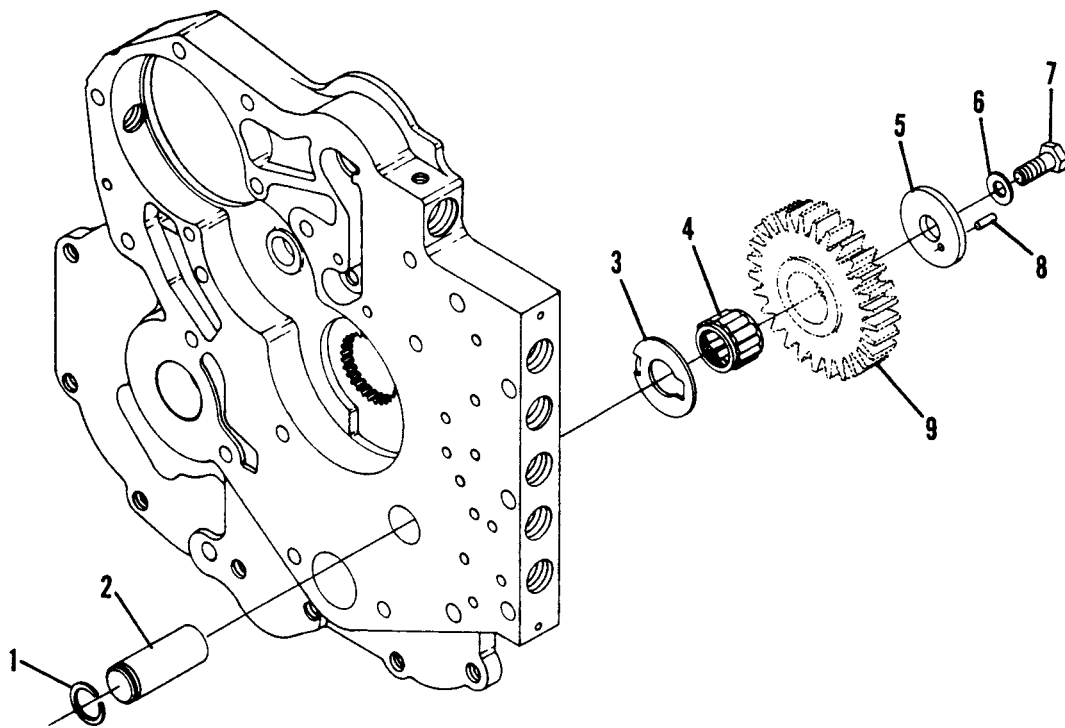
Ref. No.	Part No.	Description	Qty. Req.	Ref. No.	Part No.	Description	Qty. Req.
01	L98942	Pump Drive Idler Thrust Washer . . .	1	05	L98942	Pump Drive Idler Thrust Washer . . .	1
02	L98943	Idler Gear Bearing . . . . .	1	06	L98212	Pump Drive Gear Ret Snap Ring . .	1
03	L98944	Pump Drive Idler Gear (31T) . . . . .	1	07	L98211	Pump Drive Gear (34T) . . . . .	1
04	L98945	Pump Drive Idler Shaft & Pin Asy. . .	1	08	L98947	Roll Pin (Incl. in Item #4) . . . . .	1
		(Incl. Item #8)					



***Charge Pump w/Filter Group***

<b>Ref. No.</b>	<b>Part No.</b>	<b>Description</b>	<b>Qty. Req.</b>	<b>Ref. No.</b>	<b>Part No.</b>	<b>Description</b>	<b>Qty. Req.</b>
01	L98948	"O"Ring . . . . .	1	11	L99020	Pump Mtg. Screw Lockwasher . . . .	4
02	L98949	Ball Check Valve Asy. . . . .	1	12	L99027	Pump Mtg. Screw . . . . .	1
		(Inc. Items 1 thru 5)		13	L99029	Pump Mtg. Screw Lockwasher . . . .	1
03	L98214	Pin . . . . .	1	14	L99184	Filter Assembly. . . . .	1
04	L98215	Ball . . . . .	1	15	L98950	Piston . . . . .	1
05	L98216	Spring . . . . .	1	16	L98951	Spring . . . . .	1
06	L98219	Charging Pump Gasket . . . . .	1	17	L98952	Pin . . . . .	1
07	L98220	Charging Pump . . . . .	1	18	L98953	Sleeve . . . . .	1
08	L99020	Pump Mtg. Screw Lockwasher . . . .	1	19	L98954	Regulator Valve Asy. . . . .	1
09	L99023	Pump Mounting Scew . . . . .	1			(Inc. Items 15 thru 18)	
10	L99025	Pump Mounting Screw . . . . .	4				

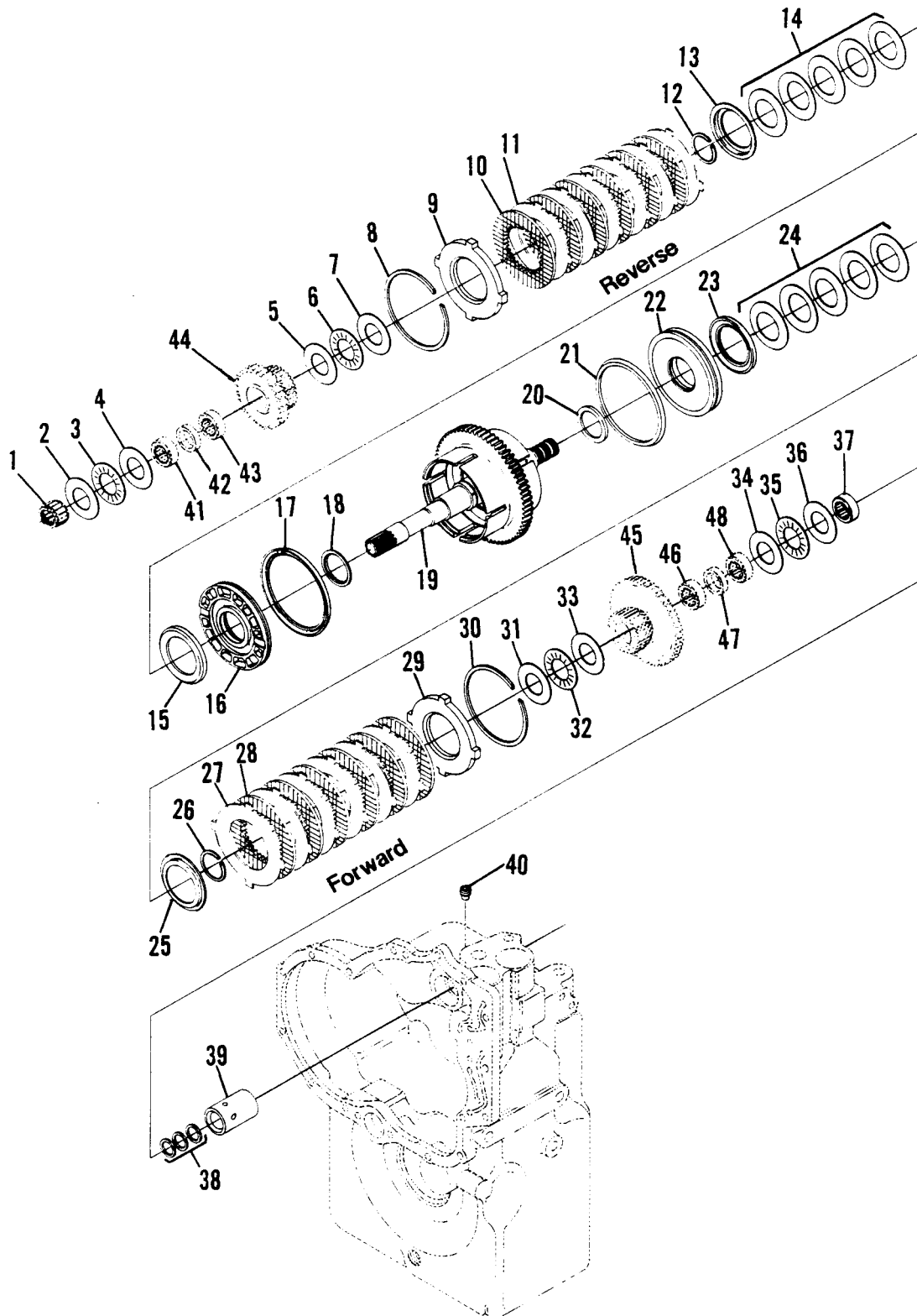
*Reverse Idler Group*



***Reverse Idler Group***

<b>Ref. No.</b>	<b>Part No.</b>	<b>Description</b>	<b>Qty. Req.</b>	<b>Ref. No.</b>	<b>Part No.</b>	<b>Description</b>	<b>Qty. Req.</b>
01	L98228	Idler Shaft Snap Ring . . . . .	1	06	L99032	End Plate Capscrew Washer . . . . .	1
02	L98229	Idler & Pilot Shaft . . . . .	1	07	L99031	Rev. Idler End Plate Capscrew . . . . .	1
03	L98230	Thrust Washer . . . . .	1	08	L98233	End Plate to Shaft Roll Pin . . . . .	1
04	L98231	Reverse Idler Gear Bearing . . . . .	1	09	L98955	Reverse Idler Gear . . . . .	1
05	L98232	End Plate . . . . .	1				

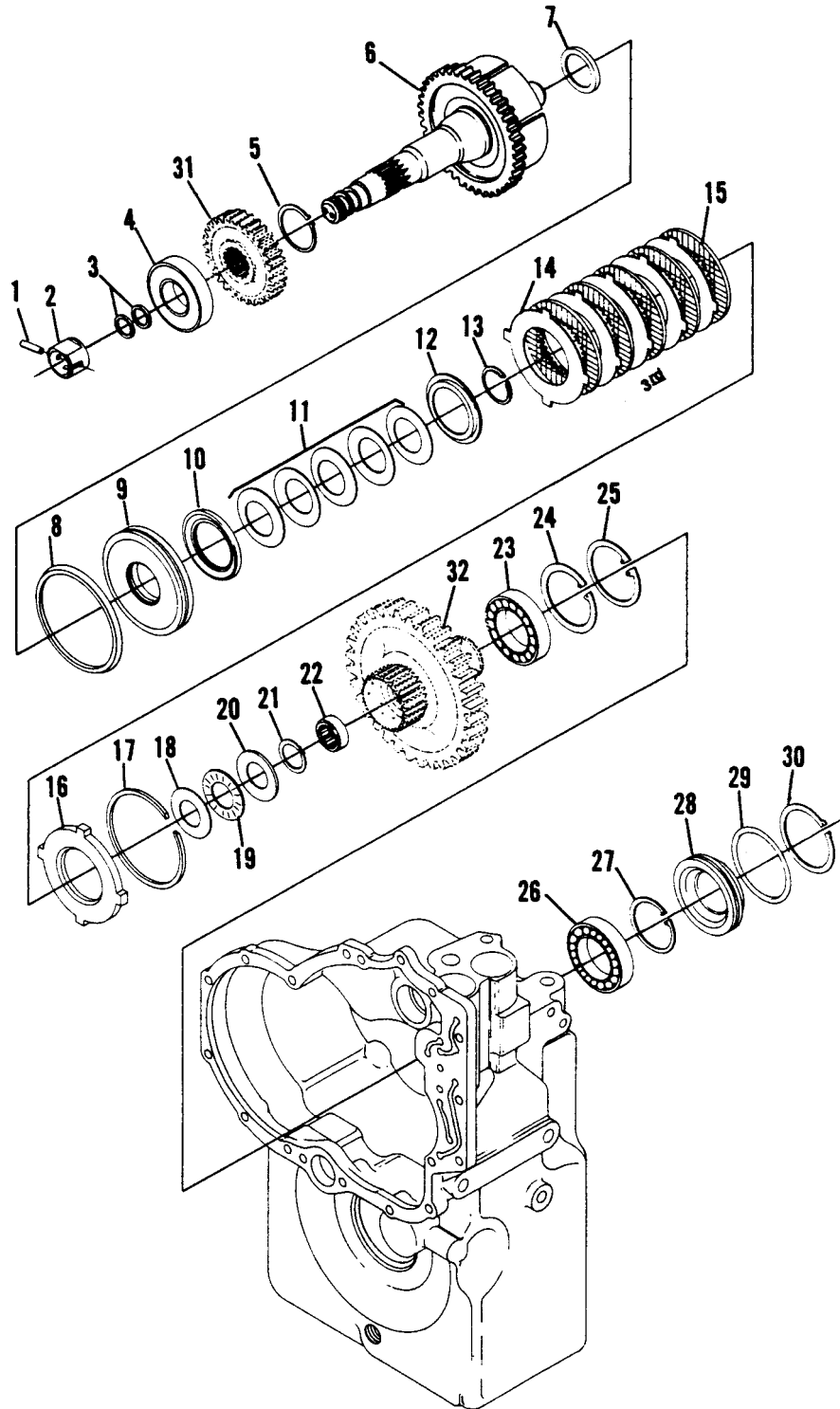
### Forward & Reverse Shaft Group



***Forward & Reverse Shaft Group***

Ref. No.	Part No.	Description	Qty. Req.	Ref. No.	Part No.	Description	Qty. Req.
01		Turbine Shaft Front Bearing <i>(See Converter Group)</i>		25	L98242	Snap Ring Retainer . . . . .	1
02	L98235	Clutch Gear Thrust Washer . . . . .	1	26	L98241	Retainer Snap Ring . . . . .	1
03	L98236	Clutch Gear Thrust Washer Brg. . . . .	1	27	L98240	Outer Disc - Forward Clutch . . . . .	6
04	L98235	Clutch Gear Thrust Washer . . . . .	1	28	L98239	Inner Disc - Forward Clutch . . . . .	6
05	L98235	Clutch Gear Thrust Washer . . . . .	1	29	L98238	End Plate . . . . .	1
06	L98236	Clutch Gear Thrust Washer Brg. . . . .	1	30	L98237	End Plate Snap Ring . . . . .	1
07	L98235	Clutch Gear Thrust Washer . . . . .	1	31	L98235	Clutch Gear Thrust Washer . . . . .	1
08	L98237	End Plate Snap Ring . . . . .	1	32	L98236	Clutch Gear Thrust Washer Brg. . . . .	1
09	L98238	End Plate . . . . .	1	33	L98235	Clutch Gear Thrust Washer . . . . .	1
10	L98239	Inner Disc-Reverse Clutch . . . . .	6	34	L98235	Clutch Gear Thrust Washer . . . . .	1
11	L98240	Outer Disc-Reverse Clutch . . . . .	6	35	L98236	Clutch Gear Thrust Washer Brg. . . . .	1
12	L98241	Retainer Snap Ring . . . . .	1	36	L98235	Clutch Gear Thrust Washer . . . . .	1
13	L98242	Snap Ring Retainer . . . . .	1	37	L98249	Thrbine Shaft Rear Bearing . . . . .	1
14	L98243	Disc Washer Spring Asy. . . . .	5	38	L98250	Piston Ring . . . . .	3
15	L98244	Clutch Piston Wear Plate . . . . .	1	39	L98251	Oil Distributor Sleeve . . . . .	1
16	L98245	Clutch Piston Asy. . . . . <i>(Incl. Items 17,18)</i>	1	40	L98252	Retainer Screw . . . . .	1
17	L98246	Clutch Piston Seal - Outer . . . . .	1	41	L98253	Bearing . . . . .	1
18	L98247	Clutch Piston Seal - Inner. . . . .	1	42	L98254	Spacer . . . . .	1
19	L98248	Turbine Shaft Drum & Plug Asy. . . . .	1	43	L98253	Bearing . . . . .	1
20	L98247	Clutch Piston Seal - Inner. . . . .	1	44	L98962	Rev. Clutch Gear & Brg. Asy. . . . . <i>(Incl. Items 41 thru 43)</i>	1
21	L98246	Clutch Piston Seal - Outer . . . . .	1	45	L98255	Fwd. Clutch Gear & Brg. Asy. . . . . <i>(Incl. Items 46 thru 48)</i>	1
22	L98245	Clutch Piston . . . . .	1	46	L98253	Bearing . . . . .	1
23	L98244	Clutch Piston Wear Plate . . . . .	1	47	L98254	Spacer - <i>See Special Parts Sect.</i> . . .	1
24	L98243	Disc Washer Spring Asy. . . . .	5	48	L98253	Bearing - <i>See Special Parts Sect.</i> . . .	1

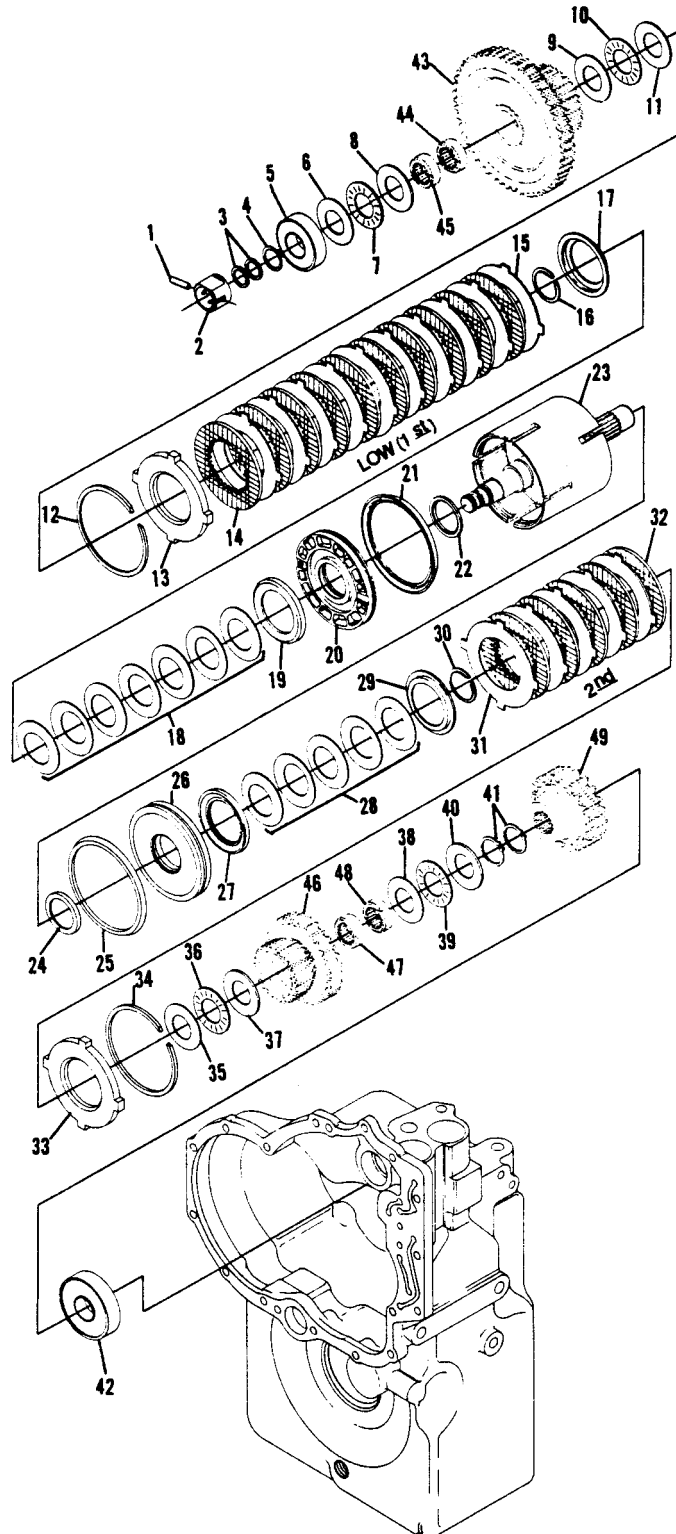
### 3rd & Output Shaft Group



***3rd & Output Shaft Group***

<b>Ref. No.</b>	<b>Part No.</b>	<b>Description</b>	<b>Qty. Req.</b>	<b>Ref. No.</b>	<b>Part No.</b>	<b>Description</b>	<b>Qty. Req.</b>
01	L98257	Sleeve Locating Screw . . . . .	1	17	L98237	End Plate Snap Ring . . . . .	1
02	L98258	Oil Distributor Sleeve . . . . .	1	18	L98235	Clutch Gear Thrust Washer . . . . .	1
03	L98250	Piston Ring . . . . .	2	19	L98236	Clutch Gear Thrust Washer Brg. . . . .	1
04	L98964	Bearing & Seal Asy. . . . .	1	20	L98235	Clutch Gear Thrust Washer . . . . .	1
05	L98260	Gear Hub Snap Ring . . . . .	1	21	L98271	Thrust Washer Ret. Snap Ring . . . . .	1
06	L98261	3rd Shaft, Drum, & Plug Asy. . . . .	1	22	L98263	3rd Clutch Gear Bearing. . . . .	1
07	L98247	Clutch Piston Inner Seal . . . . .	1	23	L99039	Rear Bearing . . . . .	1
08	L98246	Clutch Piston Outer Seal . . . . .	1	24	L98264	Rear Bearing Ret. Snap Ring . . . . .	1
09	L98262	Clutch Piston & Ball Seat Asy. . . . .	1	25	L98264	Output Shaft Brg. Snap Ring . . . . .	1
10	L98244	Clutch Piston Wear Plate . . . . .	1	26	L98282	Output Shaft Bearing . . . . .	1
11	L98243	Disc Spring Asy. . . . .	5	27	L98266	Output Shaft Brg. Ret. Snap Ring. . . . .	1
12	L98242	Snap Ring Retainer . . . . .	1	28	L98267	Plug - Capped End. . . . .	1
13	L98241	Retainer Snap Ring . . . . .	1	29	L98268	Oil Seal Sleeve "0" Ring. . . . .	1
14	L98240	Outer Disc - 3rd Clutch. . . . .	5	30	L98264	Output Shaft Brg. Snap Ring . . . . .	1
15	L98239	Inner disc - 3rd Clutch . . . . .	5	31	L98965	1st Drive Gear . . . . .	1
16	L98238	End Plate. . . . .	1	32	L98270	3rd Gear & Shaft . . . . .	1

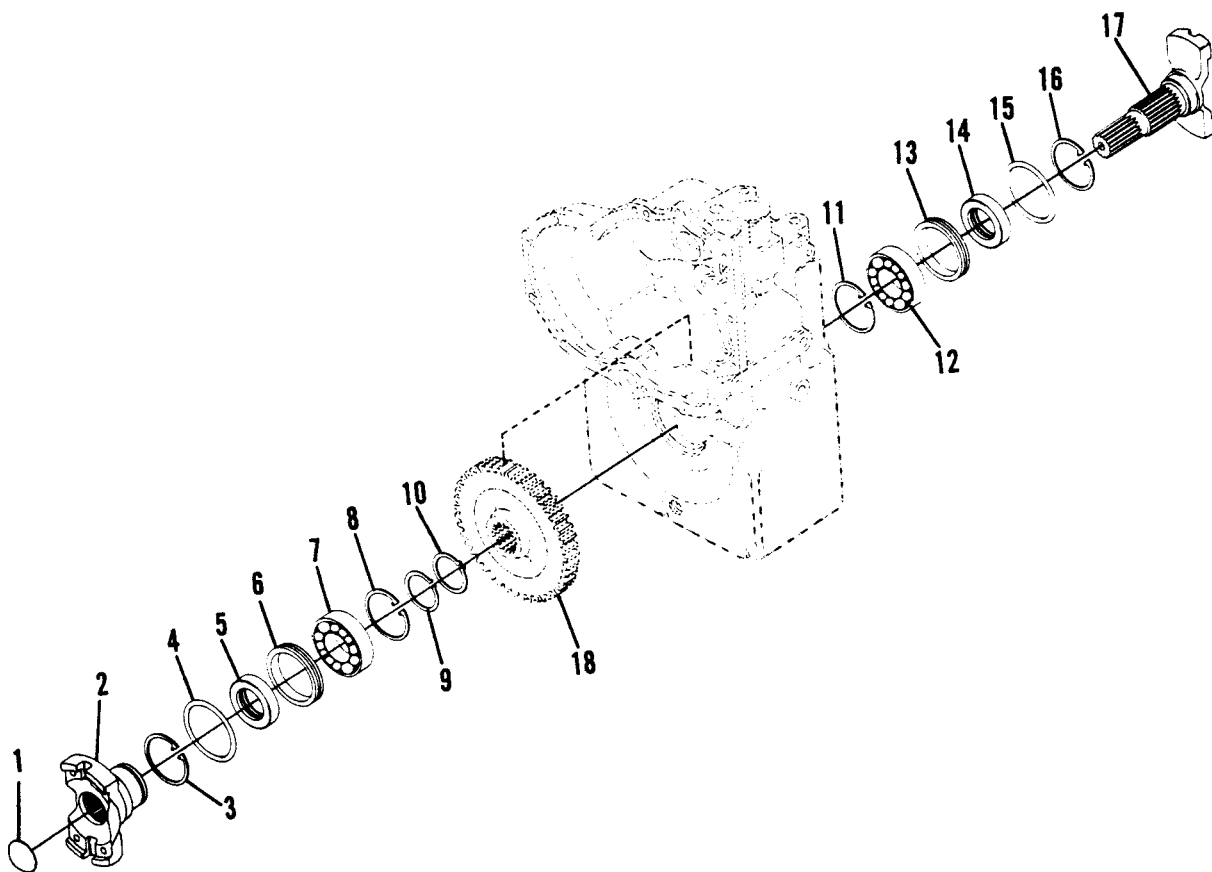
### 1st & 2nd Shaft Group



**1st & 2nd Shaft Group**

Ref. No.	Part No.	Description	Qty. Req.	Ref. No.	Part No.	Description	Qty. Req.
01	L98257	Sleeve Locating Screw . . . . .	1	27	L98244	Clutch Piston Wear Plate . . . . .	1
02	L98272	Oil Distributor Sleeve . . . . .	1	28	L98243	2nd Clutch Disc Spring Asy. . . . .	5
03	L98250	Piston Ring . . . . .	2	29	L98242	Snap Ring Retainer . . . . .	1
04		(Not Used)		30	L98241	Retainer Snap Ring . . . . .	1
05	L98964	Bearing & Seal Asy. . . . .	1	31	L98240	Outer Disc - 2nd Clutch . . . . .	5
06	L98235	Clutch Gear Thrust Washer . . . . .	1	32	L98239	Inner Disc - 2nd Clutch. . . . .	5
07	L98236	Clutch Gear Thrust Washer Brg. . . . .	1	33	L98238	End Plate . . . . .	1
08	L98235	Clutch Gear Thrust Washer . . . . .	1	34	L98237	End Plate Snap Ring . . . . .	1
09	L98235	Clutch Gear Thrust Washer . . . . .	1	35	L98235	Clutch Gear Thrust Washer . . . . .	1
10	L98236	Clutch Gear Thrust Washer Brg. . . . .	1	36	L98236	Clutch Gear Thrust Washer Brg. . . . .	1
11	L98235	Clutch Gear Thrust Washer . . . . .	1	37	L98235	Clutch Gear Thrust Washer . . . . .	1
12	L98237	End Plate Snap Ring . . . . .	1	38	L98235	Clutch Gear Thrust Washer . . . . .	1
13	L98238	End Plate . . . . .	1	39	L98236	Clutch Gear Thrust Washer Brg. . . . .	1
14	L98239	Inner Disc - 1st Clutch . . . . .	10	40	L98235	Clutch Gear Thrust Washer . . . . .	1
15	L98240	Outer Disc - 1st Clutch . . . . .	10	41	L98260	2nd Clutch Gear Hub Snap Ring . . . . .	2
16	L98241	Retainer Snap Ring . . . . .	1	42	L98275	Rear Bearing . . . . .	1
17	L98242	Snap Ring Retainer . . . . .	1	43	L98968	1st Clutch Gear & Brg. Asy. . . . .	1
18	L98243	1st Clutch Disc Spring Asy. . . . .	7			(Incl. Items 44,45)	
19	L98244	Clutch Piston Wear plate . . . . .	1	44	L98253	Bearing . . . . .	1
20	L99038	Clutch Piston . . . . .	1	45	L98253	Bearing . . . . .	1
21	L98246	Clutch Piston Seal - Outer . . . . .	1	46	L98276	2nd Clutch Gear & Brg. Assy. . . . .	1
22	L98247	Clutch Piston Seal - Inner. . . . .	1			(Incl. Items 47,48)	
23	L98274	1st & 2nd Shaft, Drum & Plug Asy. . . . .	1	47	L98253	Bearing . . . . .	1
24	L98247	Clutch Piston Seal - Inner. . . . .	1	48	L98253	Bearing . . . . .	1
25	L98246	Clutch Piston Seal - Outer . . . . .	1	49	L98277	3rd Driven Gear . . . . .	1
26	L99038	Clutch Piston . . . . .	1			(See Special Parts Group)	

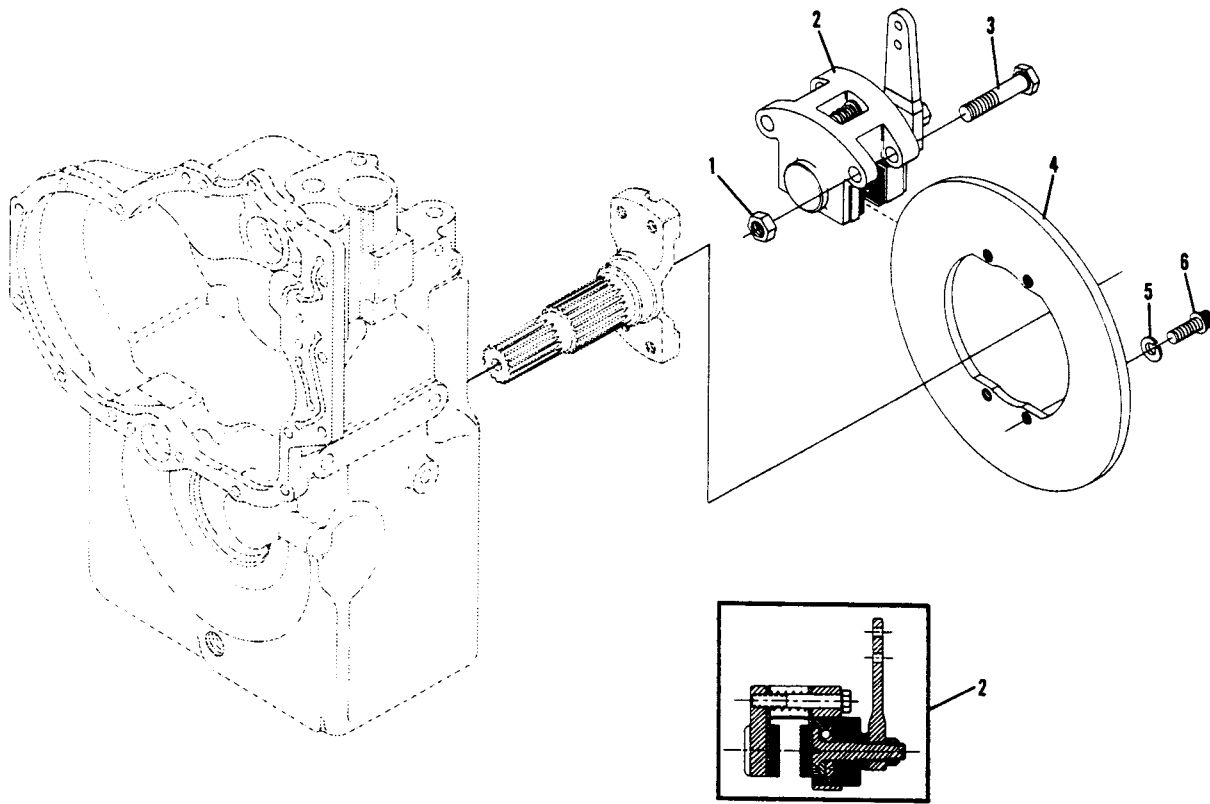
*Output Shaft Group*



***Output Shaft Group***

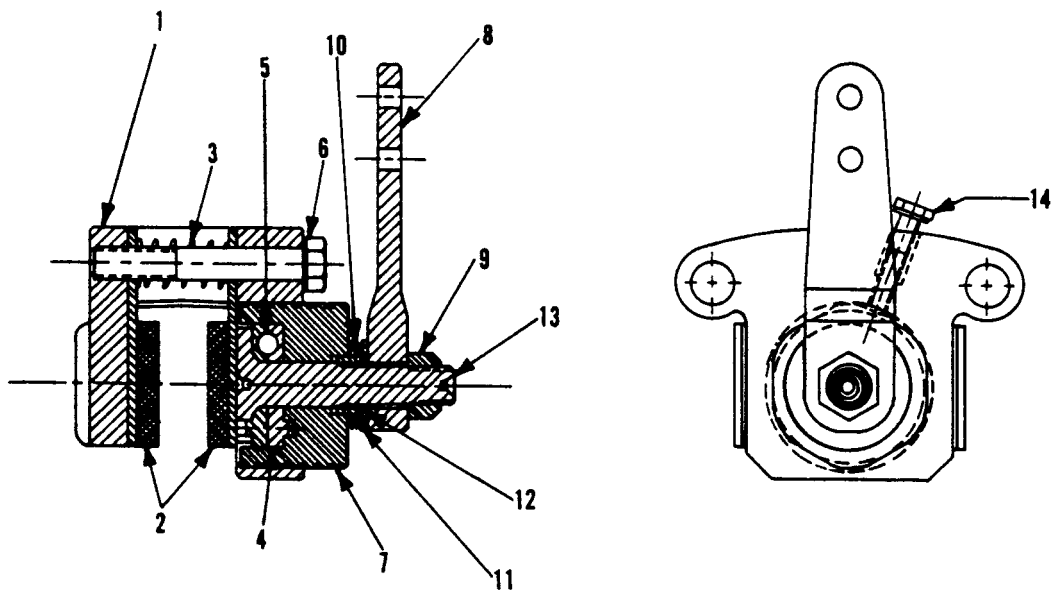
<b>Ref. No.</b>	<b>Part No.</b>	<b>Description</b>	<b>Qty. Req.</b>	<b>Ref. No.</b>	<b>Part No.</b>	<b>Description</b>	<b>Qty. Req.</b>
01	L98278	Flange Plug . . . . .	1	10	L98266	Gear Retaining Ring . . . . .	1
02	L98279	Output Flange & Plug Asy. . . . . (Inc. Item 1)	1	11	L98264	Output Shaft Brg. "O"Ring . . . . .	1
03	L98264	Output Shaft Brg. Snap Ring . . . . .	1	12	L98282	Output Shaft Bearing . . . . .	1
04	L98268	Oil Seal Sleeve "O"Ring . . . . .	1	13	L98281	Oil Seal Sleeve . . . . .	1
05	L96053	Output Shaft Oil Seal . . . . .	1	14	L96053	Output Shaft Oil Seal . . . . .	1
06	L98281	Oil Seal Sleeve . . . . .	1	15	L98268	Output Shaft Sleeve "O"Ring . . . . .	1
07	L98282	Output Shaft Bearing . . . . .	1	16	L98264	Output Shaft Brg. "O"Ring . . . . .	1
08	L98264	Output Shaft Brg. Snap Ring . . . . .	1	17	L98283	Output Shaft & Brake Flange (SC) . . . . .	1
09	L98266	Flange Retaining Ring . . . . .	1	18	L98284	Output Shaft Gear . . . . .	1

**Disc Brake Group**



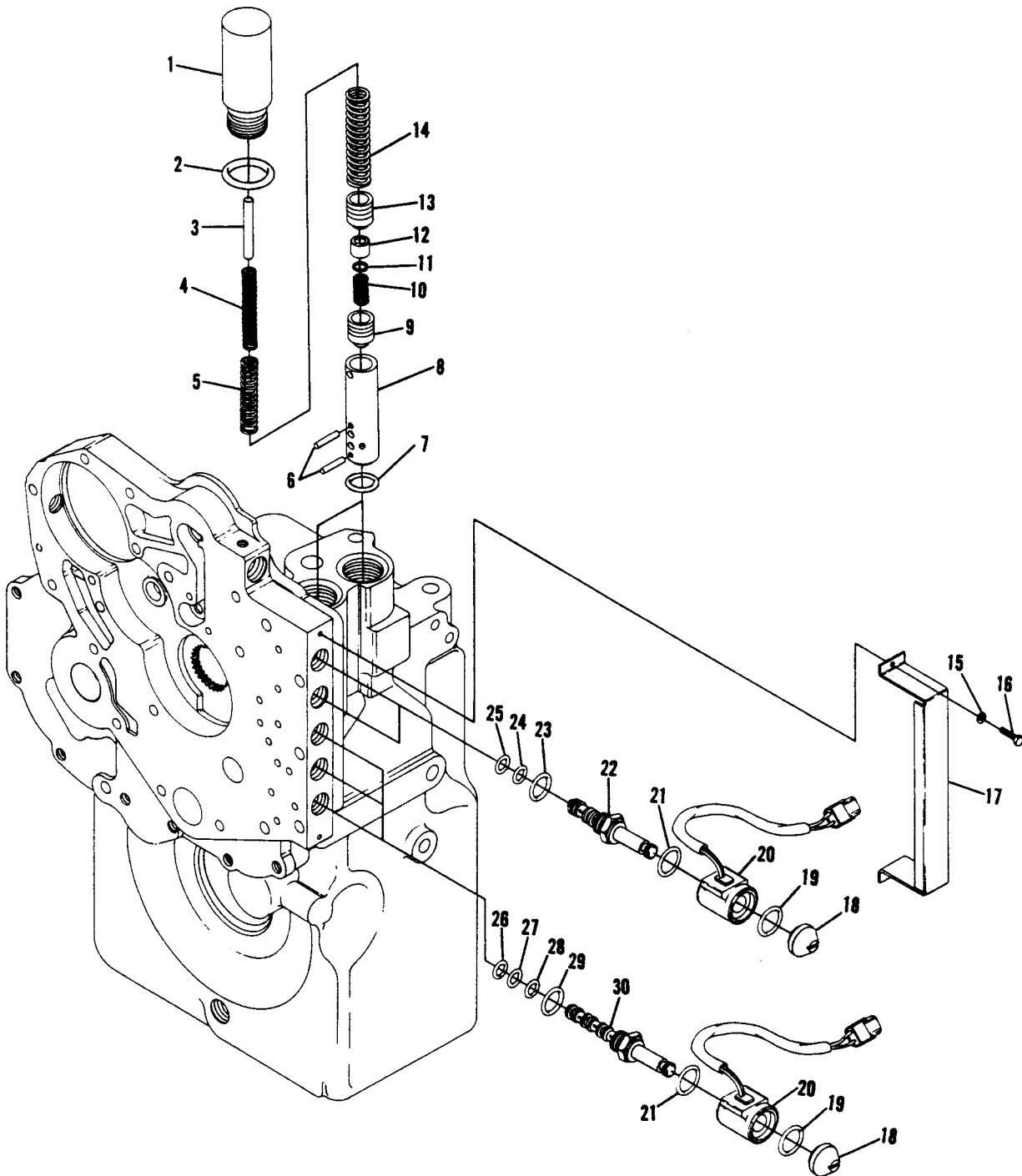
Ref. No.	Part No.	Description	Qty. Req.	Ref. No.	Part No.	Description	Qty. Req.
01	L99040	Caliper Asy. Capscrew Lock Nut . . .	2	04	L98287	Brake Disc . . . . .	1
02	L98970	Caliper Brake Asy. (See Parts List) .	1	05	L99042	Brake Disc Capscrew Lockwasher .	4
03	L99041	Caliper Assy. Mtg. Capscrew . . . . .	2	06	L99043	Brake Disc Capscrew . . . . .	4

**Brake Caliper Assembly**



Ref. No.	Part No.	Description	Qty. Req.	Ref. No.	Part No.	Description	Qty. Req.
01	NSS	Housing		11	NSS	Retainer	
02	L98288	Lining Kit . . . . .	1	12	NSS	Retainer Ring	
03	NSS	Spring		13	NSS	Piston	
04	NSS	Cam Plate		14	NSS	Capscrew	
05	NSS	Ball		15	L98290	Piston & Module Asy Kit . . . . .	1
06	NSS	Capscrew				(Incl. Items 4,7-13)	
07	NSS	Body		16	L98285	Ball & Cam Repair Kit . . . . .	1
08	L98289	Lever . . . . .	1			(Incl. Items 4,5)	
09	NSS	Nut		17	L98970	Caliper Asy (Incl. Items 1-14) . . . . .	1
10	NSS	Belleville Spring					

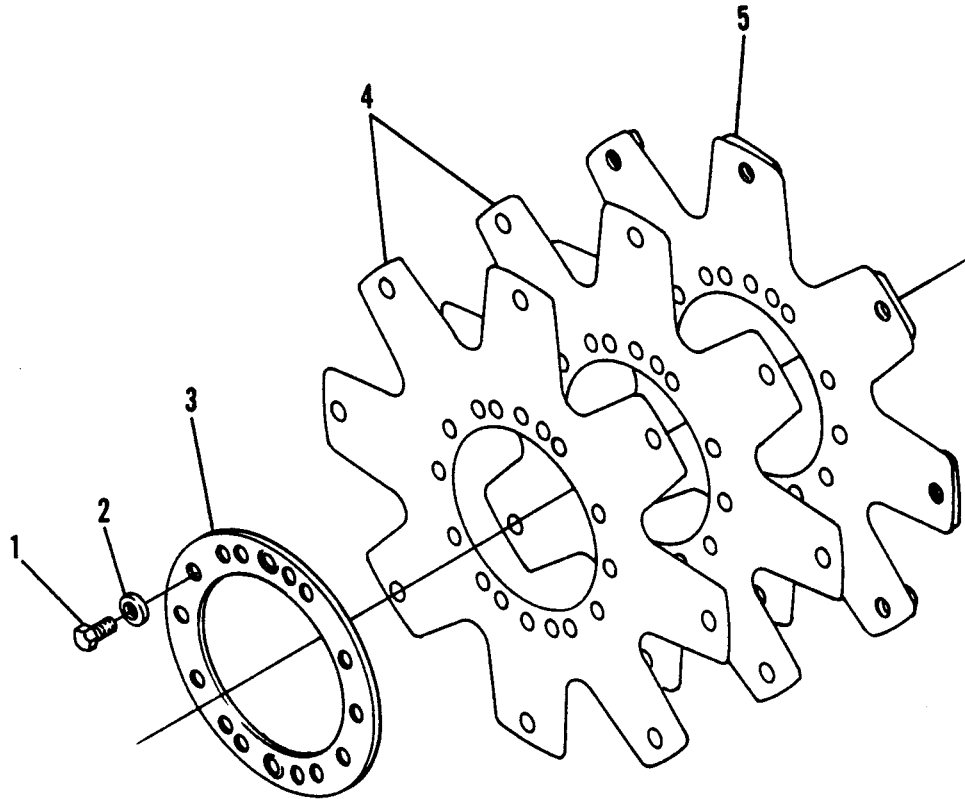
**Electric Control w/Modulation Group**



***Electric Control w/Modulation Group***

<b>Ref. No.</b>	<b>Part No.</b>	<b>Description</b>	<b>Qty. Req.</b>	<b>Ref. No.</b>	<b>Part No.</b>	<b>Description</b>	<b>Qty. Req.</b>
01	L98291	Modulator Valve Housing . . . . .	1	19	L98307	Nut to Coil "O,Ring. . . . .	4
02	L98292	Modulator Housing "0" Ring . . . . .	1	20	L98308	Solenoid Coil - 12 Volt . . . . .	4
03	L98293	Stop Pin . . . . .	1	21	L98307	Coil to Cartridge "O"Ring . . . . .	4
04	L98294	Spring - Inner . . . . .	1	22		<i>(Not Used - See Item 30)</i>	
05	L98295	Spring - Middle . . . . .	1	23		<i>(Not Used - See Item 29)</i>	
06	L98296	Upper Pin. . . . .	2	24		<i>(Not Used - See Item 28)</i>	
6A	L98957	Lower Pin. . . . .	2	25		<i>(Not Used - See Item 27)</i>	
07	L98297	Sleeve "O"Ring . . . . .	1	26	L98313	Cartridge "O"Ring. . . . .	3
08	L98298	Modulation Housing Sleeve . . . . .	1	27	L98312	Cartridge "O"Ring. . . . .	2
09	L98958	Regulator Spool . . . . .	1	28	L98311	Cartridge "O"Ring. . . . .	3
10	L98300	Spring . . . . .	1	29	L98310	Cartridge "O"Ring. . . . .	3
11	L98301	Spring Spacer. . . . .	1	30	L98314	Valve Cartridge, 4 Way. . . . .	2
12	L98302	Spring Retainer . . . . .	1			Used at 1st & 2nd - 3rd (Incl. Items 26-29)	
13	L98959	Accumulator Spool . . . . .	1	30A	L98315	Solenoid Bore Plug . . . . .	1
14	L98304	Spring - Outer . . . . .	1			Used at Fwd.-Hi & Low (Incl. (1) of Itmes 26,28,29)	
15	L99034	Cover Screw Lockwasher. . . . .	2	31	L98960	Spool Type Sol. Cartridge Asy (Incl. Item 18 thru 21[4 ea.] , 30) . . .	4
16	L99035	Cover Screw . . . . .	2				
17	L98305	Protective Cover. . . . .	1				
18	L99036	Valve Cartridge Retainer Nut . . . . .	4				

**Drive Plate Group**



Ref. No.	Part No.	Description	Qty. Req.	Ref. No.	Part No.	Description	Qty. Req.
01	L99312	Drive Plate Mounting Screw . . . . .	6	04	NSS	Drive Plate - (Incl. In Item #5)	
02	L99030	Drive Plate Mounting Screw Lockwasher . . . . .	6	05	L98317	Drive Plate Asy. Kit (Incl. Items 1 thru 4) . . . . .	1
03	L97516	Drive Plate Backing Ring . . . . .	1				

***Numerical Index***

<b>Part No.</b>	<b>Page No.</b>	<b>Ref. No.</b>	<b>Part No.</b>	<b>Page No.</b>	<b>Ref. No.</b>	<b>Part No.</b>	<b>Page No.</b>	<b>Ref. No.</b>	<b>Part No.</b>	<b>Page No.</b>	<b>Ref. No.</b>
L94824	9-7	15	L98235	9-15	07	L98245	9-15	16	L98266	9-17	27
L96053	9-21	14	L98235	9-15	33	L98246	9-15	21	L98266	9-21	10
L96053	9-21	05	L98235	9-15	34	L98246	9-19	25	L98266	9-21	09
L97508	9-5	03	L98235	9-15	36	L98246	9-19	21	L98267	9-17	28
L97516	9-26	03	L98235	9-15	31	L98246	9-15	17	L98268	9-21	15
L98176	9-7	25	L98236	9-19	07	L98246	9-17	08	L98268	9-21	04
L98184	9-7	21	L98236	9-19	10	L98247	9-15	20	L98268	9-17	29
L98185	9-7	22	L98236	9-17	19	L98247	9-19	24	L98270	9-17	32
L98188	9-8	01	L98236	9-15	06	L98247	9-19	22	L98270	9-3	32
L98189	9-8	02	L98236	9-15	03	L98247	9-15	18	L98271	9-17	21
L98190	9-8	03	L98236	9-15	32	L98247	9-17	07	L98272	9-19	02
L98191	9-8	04	L98236	9-15	35	L98248	9-15	19	L98274	9-19	23
L98191	9-8	06	L98236	9-19	36	L98249	9-15	37	L98275	9-19	42
L98194	9-8	07	L98236	9-19	39	L98250	9-19	03	L98276	9-3	46
L98195	9-8	08	L98236	9-19	12	L98250	9-17	03	L98276	9-19	46
L98195	9-8	10	L98237	9-19	34	L98250	9-15	38	L98277	9-19	49
L98196	9-8	09	L98237	9-17	17	L98251	9-15	39	L98277	9-3	49
L98197	9-8	20	L98237	9-15	08	L98252	9-15	40	L98278	9-21	01
L98198	9-8	11	L98237	9-15	30	L98253	9-3	47	L98279	9-21	02
L98199	9-8	12	L98238	9-15	09	L98253	9-3	48	L98281	9-21	13
L98200	9-8	13	L98238	9-19	13	L98253	9-3	45	L98281	9-21	06
L98201	9-8	14	L98238	9-19	33	L98253	9-3	44	L98282	9-21	07
L98202	9-8	15	L98238	9-15	29	L98253	9-3	48	L98282	9-17	26
L98203	9-8	16	L98238	9-17	16	L98253	9-3	46	L98282	9-21	12
L98204	9-8	17	L98239	9-19	32	L98253	9-3	43	L98283	9-21	17
L98205	9-8	18	L98239	9-15	28	L98253	9-3	41	L98284	9-21	18
L98206	9-8	19	L98239	9-17	15	L98253	9-19	44	L98284	9-3	18
L98211	9-9	07	L98239	9-15	10	L98253	9-19	45	L98285	9-23	16
L98212	9-9	06	L98239	9-19	14	L98253	9-15	48	L98287	9-22	04
L98214	9-11	03	L98240	9-17	14	L98253	9-15	41	L98288	9-23	02
L98215	9-11	04	L98240	9-15	27	L98253	9-15	46	L98289	9-23	08
L98216	9-11	05	L98240	9-15	11	L98253	9-15	43	L98290	9-23	15
L98217	9-7	35	L98240	9-19	31	L98253	9-19	48	L98291	9-25	01
L98218	9-7	36	L98240	9-19	15	L98253	9-19	47	L98292	9-25	02
L98219	9-11	06	L98241	9-17	13	L98254	9-3	47	L98293	9-25	03
L98220	9-11	07	L98241	9-19	30	L98254	9-3	42	L98294	9-25	04
L98228	9-13	01	L98241	9-19	16	L98254	9-15	42	L98295	9-25	05
L98229	9-13	02	L98241	9-15	26	L98254	9-15	47	L98296	9-25	06
L98230	9-13	03	L98241	9-15	12	L98255	9-15	45	L98297	9-25	07
L98231	9-13	04	L98242	9-17	12	L98255	9-3	45	L98298	9-25	08
L98232	9-13	05	L98242	9-19	17	L98257	9-19	01	L98300	9-25	10
L98233	9-13	08	L98242	9-15	25	L98257	9-17	01	L98301	9-25	11
L98235	9-19	06	L98242	9-19	29	L98258	9-17	02	L98302	9-25	12
L98235	9-19	37	L98242	9-15	13	L98260	9-19	41	L98304	9-25	14
L98235	9-17	20	L98243	9-17	11	L98260	9-17	05	L98305	9-25	17
L98235	9-15	05	L98243	9-19	18	L98261	9-17	06	L98307	9-25	19
L98235	9-17	18	L98243	9-19	28	L98262	9-17	09	L98307	9-25	21
L98235	9-19	38	L98243	9-15	24	L98263	9-17	22	L98308	9-25	20
L98235	9-19	08	L98243	9-15	14	L98264	9-17	24	L98310	9-25	29
L98235	9-19	09	L98244	9-19	19	L98264	9-17	25	L98311	9-25	28
L98235	9-15	04	L98244	9-15	23	L98264	9-17	30	L98312	9-25	27
L98235	9-19	11	L98244	9-17	10	L98264	9-21	08	L98313	9-25	26
L98235	9-19	35	L98244	9-19	27	L98264	9-21	11	L98314	9-25	30
L98235	9-15	02	L98244	9-15	15	L98264	9-21	03	L98315	9-25	30A
L98235	9-19	40	L98245	9-15	22	L98264	9-21	16	L98317	9-26	05

***Numerical Index***

<b>Part No.</b>	<b>Page No.</b>	<b>Ref. No.</b>	<b>Part No.</b>	<b>Page No.</b>	<b>Ref. No.</b>	<b>Part No.</b>	<b>Page No.</b>	<b>Ref. No.</b>
L98734	9-7	40	L99027	9-11	12			
L98735	9-7	41	L99029	9-7	39			
L98924	9-7	13	L99029	9-7	31			
L98924	9-7	02	L99029	9-7	33			
L98925	9-7	03	L99029	9-11	13			
L98926	9-7	06	L99029	9-5	14			
L98927	9-7	28	L99029	9-5	09			
L98927	9-7	07	L99029	9-5	11			
L98928	9-7	08	L99029	9-5	07			
L98929	9-7	14	L99030	9-26	02			
L98930	9-7	14A	L99031	9-13	07			
L98931	9-7	29	L99032	9-13	06			
L98932	9-7	30	L99034	9-25	15			
L98935	9-7	37	L99035	9-25	16			
L98938	9-5	04	L99036	9-25	18			
L98939	9-5	05	L99038	9-19	20			
L98940	9-8	05	L99038	9-19	26			
L98942	9-9	01	L99039	9-17	23			
L98942	9-9	05	L99040	9-22	01			
L98943	9-9	02	L99041	9-22	03			
L98944	9-9	03	L99042	9-22	05			
L98945	9-9	04	L99043	9-22	06			
L98947	9-9	08	L99045	9-7	34			
L98948	9-11	01	L99184	9-11	14			
L98949	9-11	02	L99246	9-5	01			
L98950	9-11	15	L99246	9-7	04			
L98951	9-11	16	L99246	9-7	16			
L98952	9-11	17	L99246	9-5	02			
L98953	9-11	18	L99246	9-5	06			
L98954	9-11	19	L99246	9-7	11			
L98955	9-13	09	L99248	9-7	01			
L98955	9-3	09	L99248	9-7	12			
L98957	9-25	06A	L99249	9-7	05			
L98958	9-25	09	L99251	9-7	20			
L98959	9-25	13	L99253	9-7	26			
L98960	9-25	31	L99260	9-5	10			
L98962	9-3	44	L99260	9-5	08			
L98962	9-15	44	L99261	9-5	13			
L98964	9-17	04	L99262	9-5	15			
L98964	9-19	05	L99267	9-7	23			
L98965	9-17	31	L99270	9-7	27			
L98965	9-3	31	L99274	9-7	09			
L98968	9-19	43	L99284	9-5	02			
L98968	9-3	43	L99312	9-26	01			
L98970	9-23	17						
L98970	9-22	02						
L99012	9-7	18						
L99013	9-7	19						
L99018	9-7	32						
L99018	9-5	12						
L99018	9-7	38						
L99020	9-11	08						
L99020	9-11	11						
L99023	9-11	09						
L99025	9-11	10						

**GEHL® CONSTRUCTION**

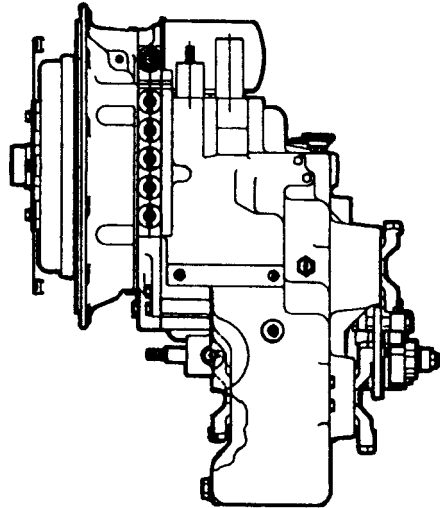
---

# **T12000**

## **Clark**

### **Transmission**

**Model No.**  
**1106-T12366-13**



# **SERVICE PARTS**



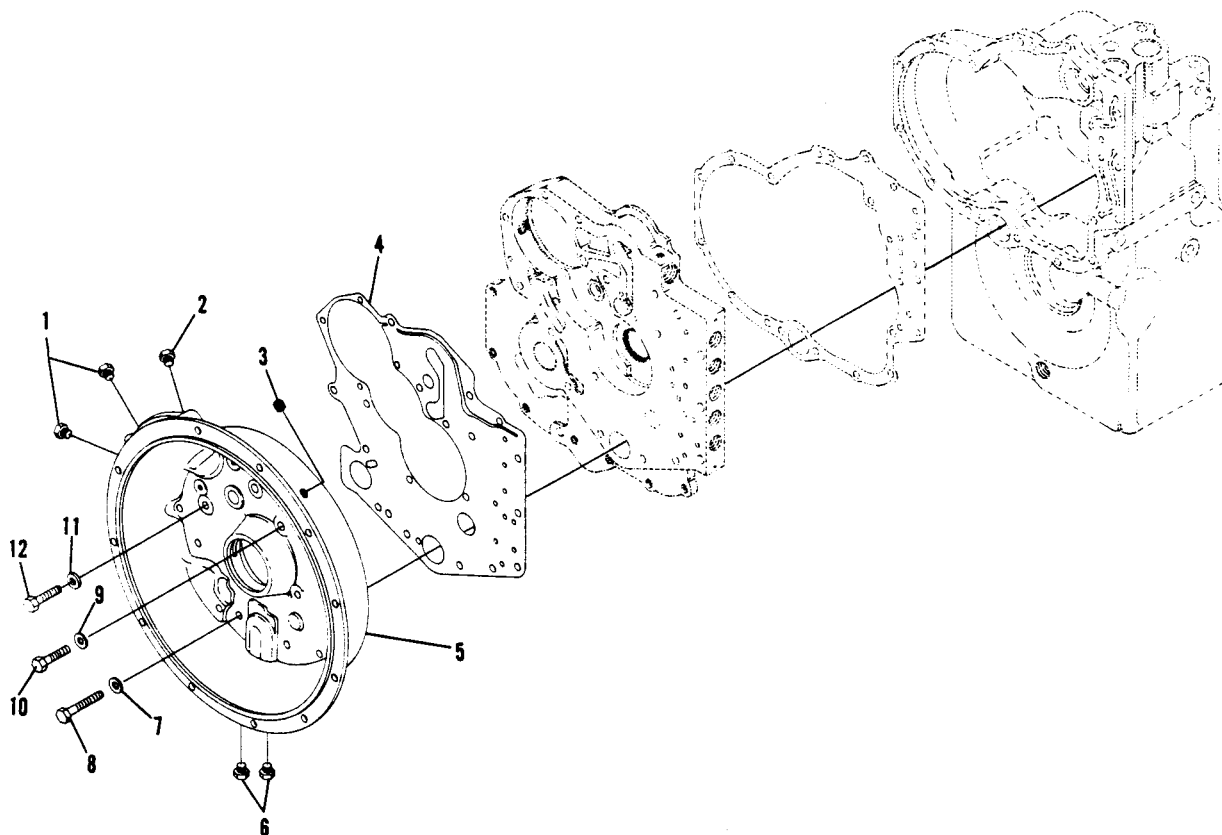
Section Contents . . . . . **10-1**  
4260436 - Special Parts Group . . . . . **10-3**  
4224702 - Converter Housing Group . . . . . **10-4**  
4224729 - Case and Plate Group . . . . . **10-6**  
4224647 - Torque Converter Group . . . . . **10-8**  
267396 - Pump Drive Group . . . . . **10-9**  
4224064 - Charge Pump Group . . . . . **10-10**  
267079 - Reverse Idler Group . . . . . **10-12**  
4224984 - Forward/Reverse Shaft Group . . . . . **10-14**  
267185 - 3rd and Output Shaft Group . . . . . **10-16**  
267082 - 1st and 2nd Shaft Group . . . . . **10-18**  
267083 - Output Shaft Group . . . . . **10-20**  
267270 - Disc Brake Group . . . . . **10-22**  
4201407 - Brake Caliper Assembly . . . . . **10-23**  
4224059 - Electric Control With Modulation Group . . . . . **10-24**  
267086 - Drive Plate Group . . . . . **10-26**  
Numerical Index . . . . . **10-27**

**This Page Intentionally Blank**

***Special Parts Group***

<b>Ref. No.</b>	<b>Part No.</b>	<b>Description</b>	<b>Qty. Req.</b>	<b>Ref. No.</b>	<b>Part No.</b>	<b>Description</b>	<b>Qty. Req.</b>
<b>PAGE 12/13</b>				<b>PAGE 18/19</b>			
09	L98955	REV. IDLER GEAR (26T) . . . . .	1	43	L98968	1ST CLUTCH GEAR & BRG. ASY (Incl. Items 44,45) . . . . .	1
<b>PAGE 14/15</b>				44	L98253	BEARING. . . . .	1
41	L98253	REV. CLUTCH GEAR BRG. . . . .	1	45	L98253	BEARING. . . . .	1
42	L98254	REV. CLUTCH GEAR SPACER . . .	1	46	L98276	2ND CLUTCH GEAR & BRG. ASY (Incl. Items 47,48)	1
43	L98253	REV. CLUTCH GEAR BRG. . . . .	1	47	L98253	BEARING. . . . .	1
44	L98962	REV. CLUTCH GEAR. . . . .	1	48	L98253	BEARING. . . . .	1
		& BRG. ASY. (Incl. Items 41-43)		49	L98277	3RD DRIVEN GEAR (18T) . . . . .	1
45	L98255	FWD. CLUTCH GEAR . . . . .	1	<b>PAGE 20/21</b>			
		& BRG. ASY. (Incl. Items 46-48)		18	L98284	OUTPUT SHAFT GEAR (40T) . . . .	1
46	L98253	FWD. CLUTCH GEAR BRG. . . . .	1				
47	L98254	FWD. CLUTCH GEAR SPACER. . .	1				
48	L98253	FWD. CLUTCH GEAR BRG. . . . .	1				
<b>PAGE 16/17</b>							
31	L98965	1ST DRIVE GEAR (29T) . . . . .	1				
32	L98270	3RD GEAR & OUTPUT SHAFT (46T). . . . .	1				

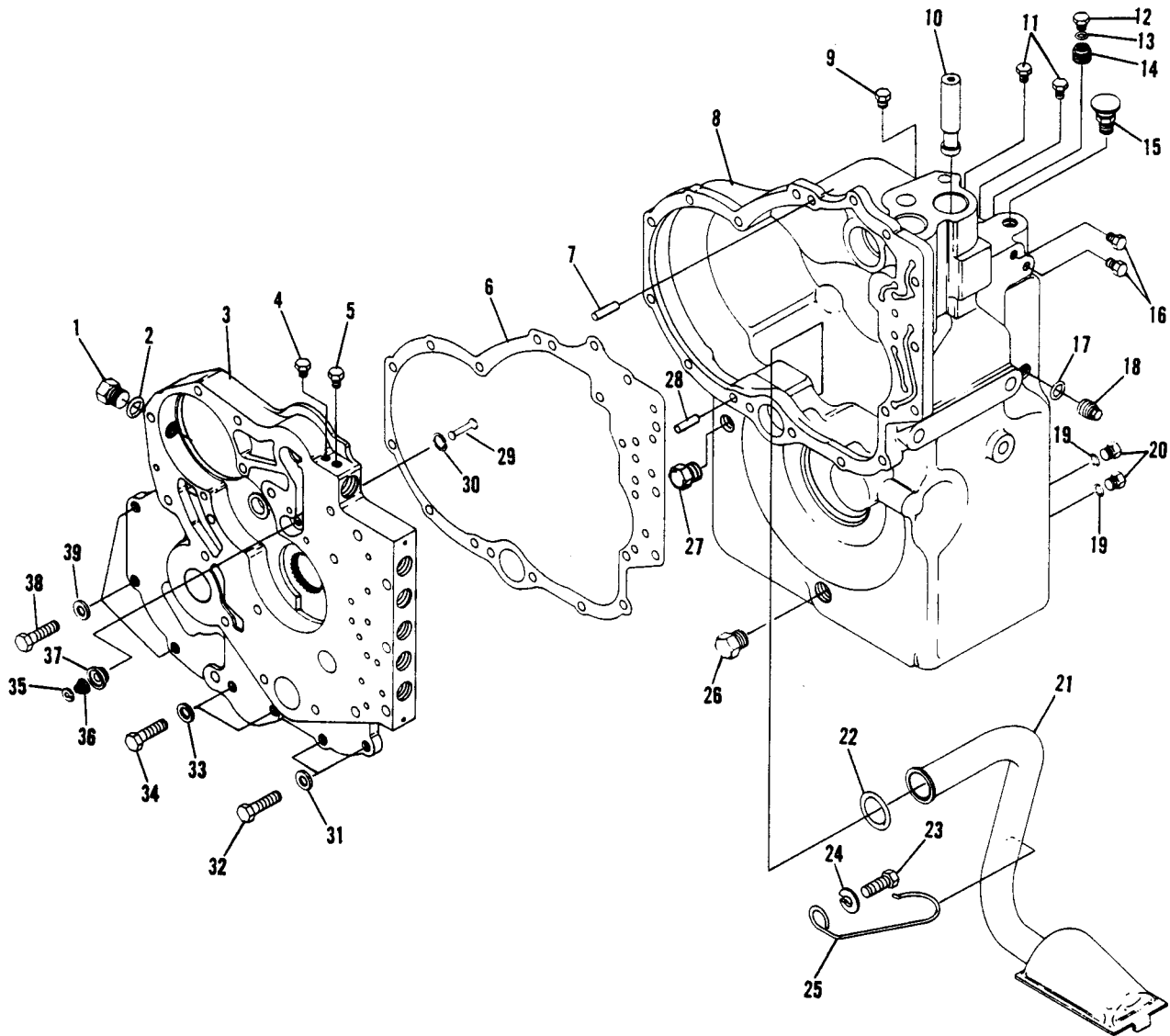
**Converter Housing Group**



***Converter Housing Group***

<b>Ref. No.</b>	<b>Part No.</b>	<b>Description</b>	<b>Qty. Req.</b>	<b>Ref. No.</b>	<b>Part No.</b>	<b>Description</b>	<b>Qty. Req.</b>
01	L99283	Plug (Hi & 3rd Port) NA . . . . .	2	08	L99260	Conv. Housing. to Trans.	
01A	L99284	Plug "O"Ring (N.I.) . . . . .	2			Case Screw . . . . .	13
02	L99246	Reg. Pressure Port Plug NA . . . . .	1	09	L99029	Conv. Housing. to Plate	
02A	L99284	Plug "O"Ring (N.I.) . . . . .	1			Screw Lockwasher . . . . .	3
02B	L99249	Plug . . . . .	1	10	L99260	Conv. Hsg. to Plate Screw . . . . .	3
03	L99246	Plug . . . . .	1	11	L99029	Conv. Hsg. to Plate . . . . .	6
04	L98938	Housing to Plate Gasket. . . . .	1			Screw Lockwasher	
05	L99286	Converter Housing . . . . .	1	12	L99285	Conv. Hsg. to Plate Screw . . . . .	6
06	L99283	Plug (1st & 2nd Port) . . . . .	2	13	L99261	Conv. Hsg. to Plate Screw (N.I.) . . . . .	1
06A	L99284	Plug "O"Ring (N.I.) . . . . .	2	14	L99029	Conv. Hsg. to Plate (N.I.) . . . . .	1
07	L99029	Conv. Hsg. to Trans. Case				Screw Lockwasher (N.I.) . . . . .	1
		Screw Lockwasher . . . . .	13	15	L99262	Check valve Bore Plug (N.I.) . . . . .	1

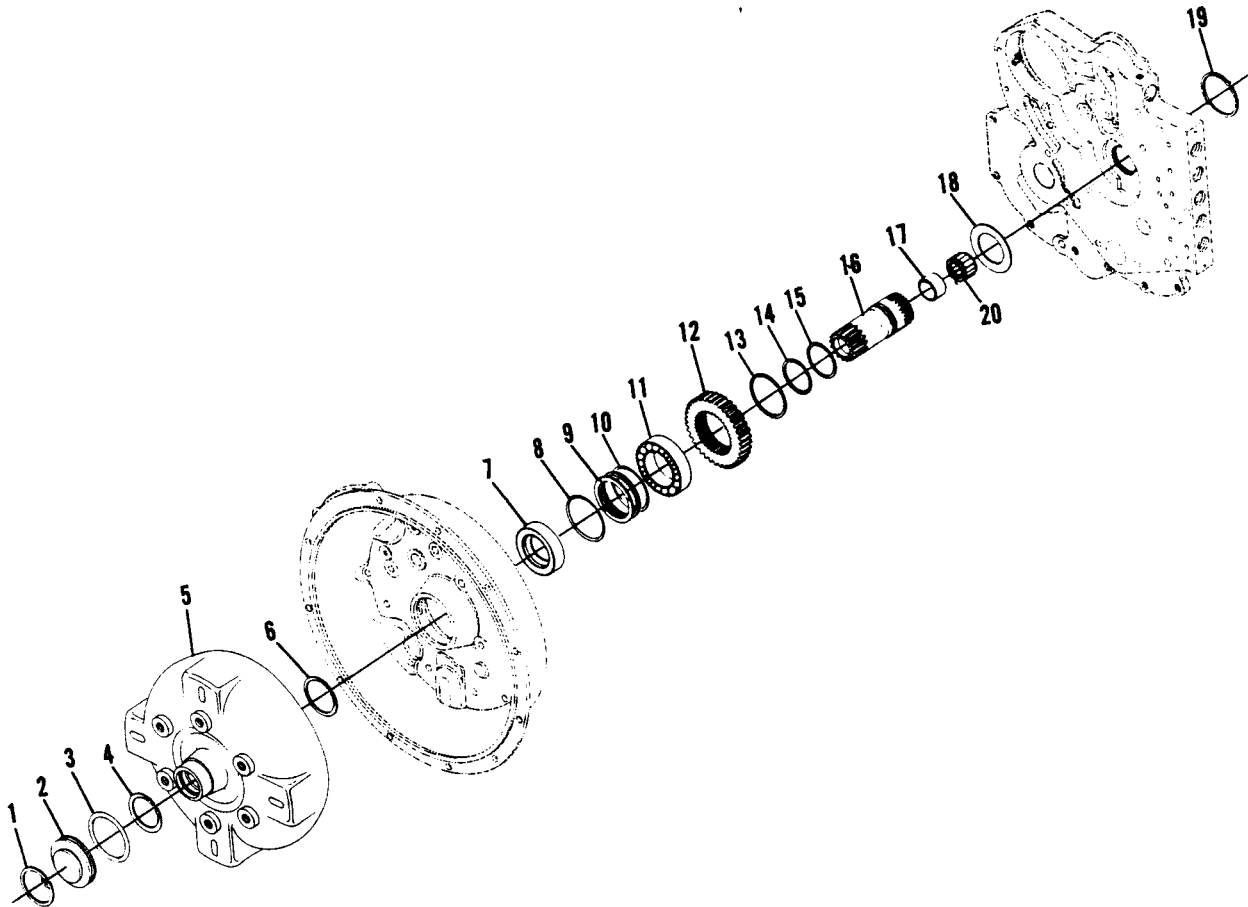
Case & Plate Group



**Case & Plate Group**

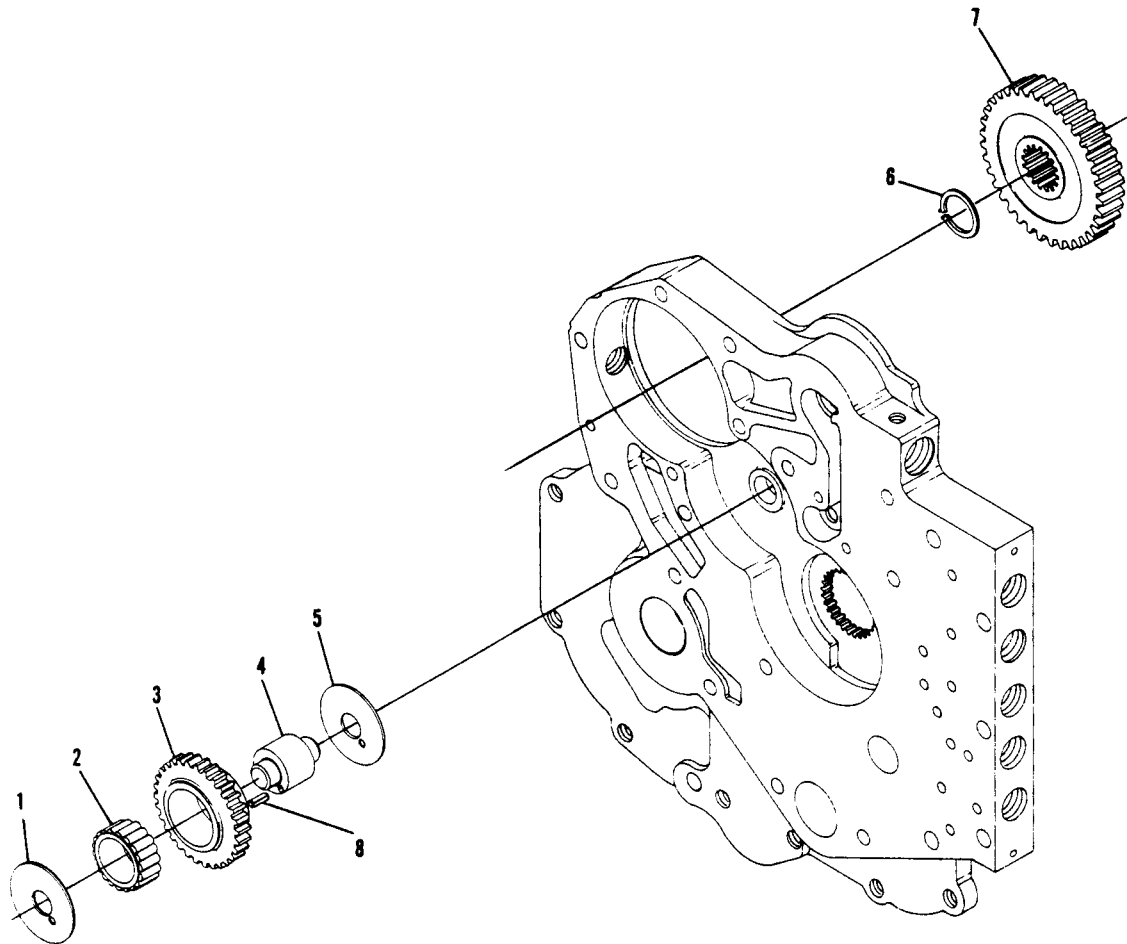
Ref. No.	Part No.	Description	Qty. Req.	Ref. No.	Part No.	Description	Qty. Req.
01	L99287	Sensor Port Plug . . . . .	1	23	L99269	Retainer Clip Screw . . . . .	1
02	L98924	Sensor "O"Ring . . . . .	1	24		(Not Used)	
02A	L99288	Speed Sensor Screw (N.I.) . . . . .	1	25	L98176	Oil Supply Tube Retainer Clip . . . . .	1
03	L99289	Spacer Plate . . . . .	1	26	L99253	Magnetic Drain Plug . . . . .	1
04	L99246	Inlet Pressure Port Plug . . . . .	1	27	L99270	Drain Back Port Plug . . . . .	1
05	L99290	Outlet Temperture Port Plug . . . . .	1	28	L98927	Plate to Transmission	
06	L98926	Plate to Transmission Case				Case Dowel Pin . . . . .	1
		Gasket . . . . .	1	29	L98931	Converter Safety Valve Poppet . . . . .	1
07	L98927	Plate to Transmission Case		30	L98932	Seat Snap Ring . . . . .	1
		Dowel Pin . . . . .	1	31	L99029	Plate to Transmission	
08	L99291	Transmission Case . . . . .	1			Case Screw Lockwasher . . . . .	2
09	L99274	Filler Plug . . . . .	1	32	L99018	Plate to Transmission	
10		(Not Used)				Case Screw . . . . .	2
11	L99246	Pipe Plug . . . . .	2	33	L99029	Plate to Transmission	
11A	L99283	Plug . . . . .	1			Case Screw Lockwasher . . . . .	2
11B	L99284	Plug "O"Ring . . . . .	1	34	L99045	Plate to Transmission	
12	L99287	Speed Sensor Port Plug . . . . .	1			Case Screw . . . . .	3
13	L98924	Sensor Port Plug "O" Ring . . . . .	1	35	L98217	Poppet Washer . . . . .	1
13A	L99288	Speed Sensor Screw (N.I.) . . . . .	1	36	L98218	Safety Valve Spring . . . . .	1
14		(Not Used)		37	L98935	Safety Valve Seat . . . . .	1
15	L94824	Air Breather . . . . .	1	38	L99018	Plate to Transm. Case Screw . . . . .	3
16	L99283	Plug . . . . .	2	39	L99029	Plate to Transmission	
16A	L99284	Plug "O"Ring (N.I.) . . . . .	2			Case Screw Lockwasher . . . . .	3
17		(Not Used)		40	L98734	Dipstick Tube (N.I.) . . . . .	1
18	L99012	Sensor Port Plug . . . . .	1	41	L98735	Dipstick Asy. (N.I.) . . . . .	1
19	L99013	Plug "O" Ring . . . . .	2	42	L99287	Baffle Hole Screw (N.I.) . . . . .	1
20	L99251	Oil Level Plug . . . . .	2	43	L99029	Baffle Hole Screw	
21	L98184	Tube & Screen Assembly . . . . .	1			Lockwasher (N.I.) . . . . .	1
22	L98185	Oil Supply Tube Seal Ring . . . . .	1				

**Torque Converter Group**



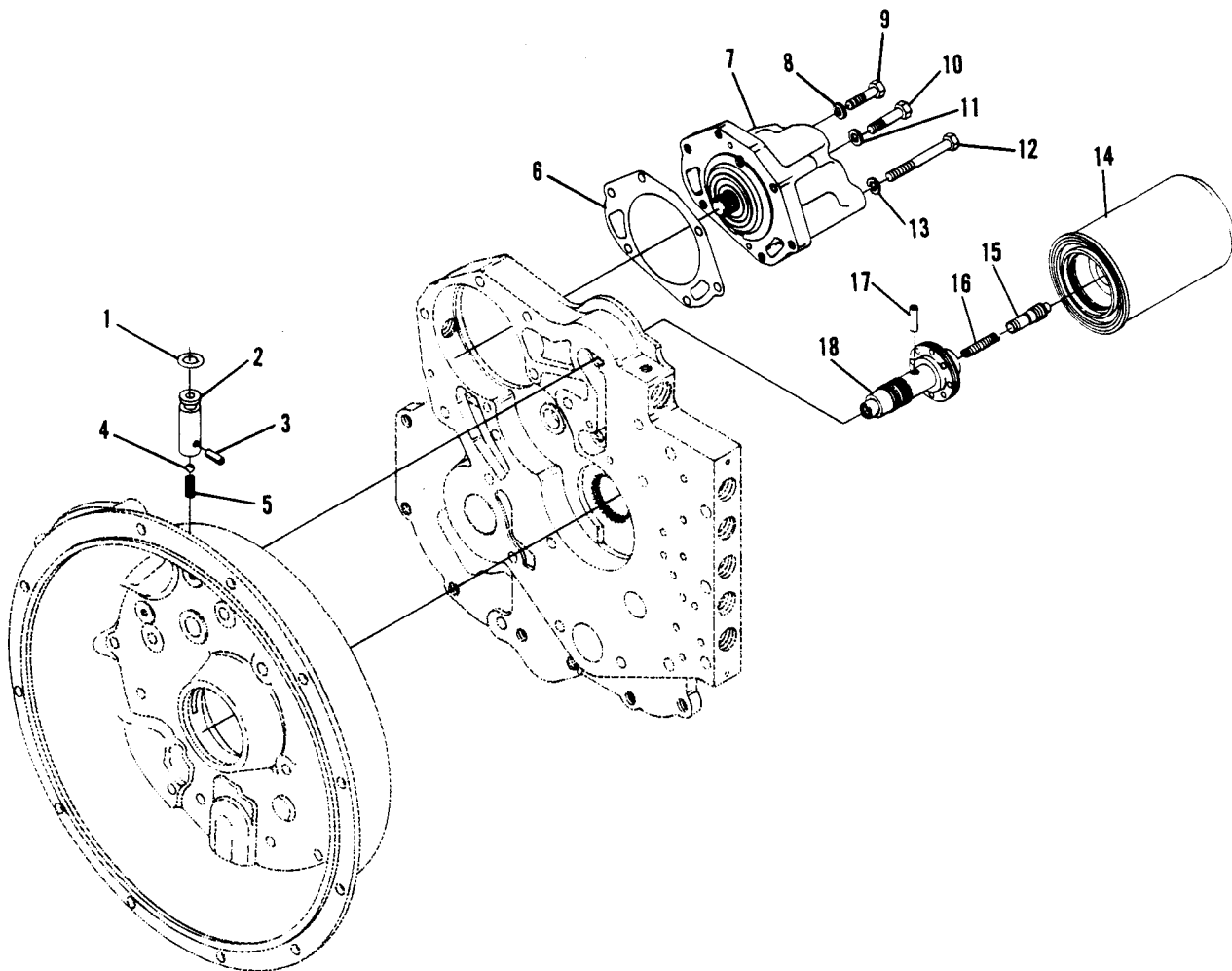
Ref. No.	Part No.	Description	Qty. Req.	Ref. No.	Part No.	Description	Qty. Req.
01	L98188	Plug Snap Ring . . . . .	1	12	L98199	Impeller Hub Gear (35T). . . . .	1
02	L98189	Torque Converter Plug . . . . .	1	13	L98200	Stator Support Snap Ring. . . . .	1
03	L98190	Torque Converter Plug "O" Ring . . .	1	14	L98201	Stator Support Piston Ring . . . . .	1
04	L98191	Impeller Hub Snap Ring . . . . .	1	15	L98202	Stator Support Piston . . . . .	1
05	L99292	Torque Converter Asy. . . . .	1			Ring Expander	
06	L98191	Impeller Hub Snap Ring . . . . .	1	16	L98203	Stator Support Asy . . . . .	1
07	L98194	Conv. Hsg. Oil Seal . . . . .	1			(Inc. Item 17 & 20)	
08	L98195	Oil Distributor Ring "O"Ring . . . . .	1	17	L98204	Bushing (Inc. in Item 16) . . . . .	1
09	L98196	Oil Distributor Ring . . . . .	1	18	L98205	Impeller Hub Gear Washer. . . . .	1
10	L98195	Oil Distributor Ring "O"Ring. . . . .	1	19	L98206	Stator Support Snap Ring. . . . .	1
11	L98198	Torque Conv. Bearing. . . . .	1	20	L98197	Bearing (Inc. In Item #16). . . . .	1

**Pump Drive Group**



Ref. No.	Part No.	Description	Qty. Req.	Ref. No.	Part No.	Description	Qty. Req.
01	L98942	Pump Drive Idler Thrust Washer . . .	1	05	L98942	Pump Drive Idler Thrust Washer . . .	1
02	L98943	Idler Gear Bearing . . . . .	1	06	L98212	Pump Drive Gear Ret Snap Ring . .	1
03	L98944	Pump Drive Idler Gear (31T) . . . . .	1	07	L98211	Pump Drive Gear (34T) . . . . .	1
04	L98945	Pump Drive Idler Shaft & Pin Asy. . .	1	08	L98947	Roll Pin (Incl. in Item #4) . . . . .	1
		(Incl. Item #8)					

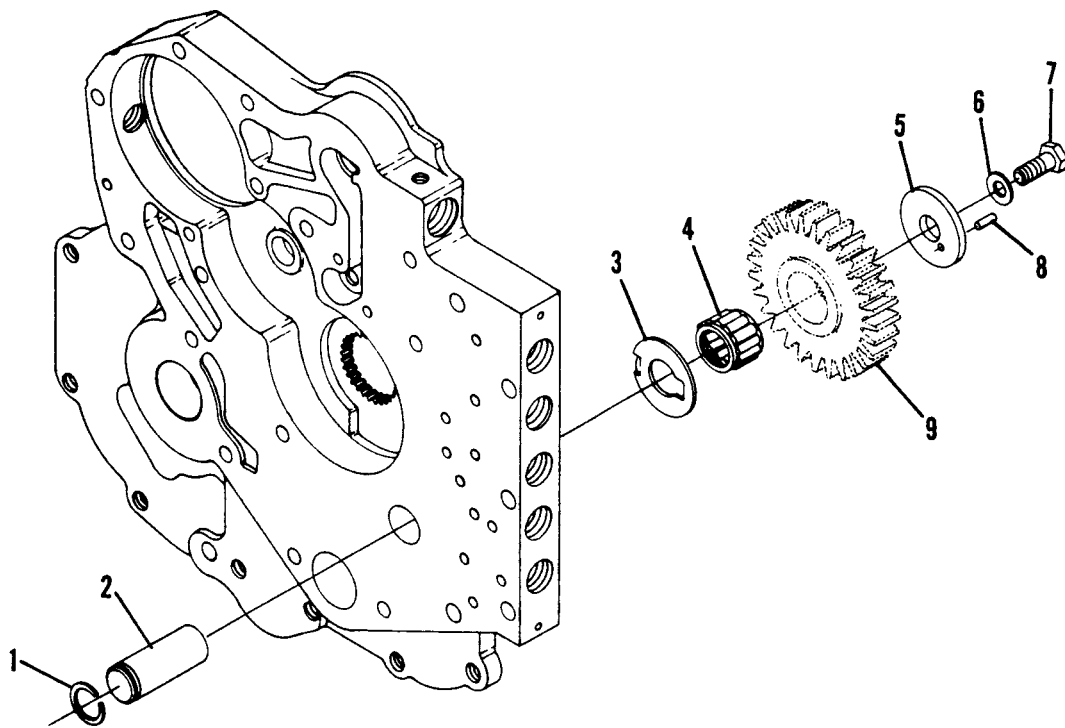
**Charge Pump w/Filter Group**



**Charge Pump w/Filter Group**

Ref. No.	Part No.	Description	Qty. Req.	Ref. No.	Part No.	Description	Qty. Req.
01	L98948	"O"Ring . . . . .	1	11	L99020	Pump Mtg. Screw Lockwasher . . . .	4
02	L98949	Ball Check Valve Asy. . . . .	1	12	L99027	Pump Mtg. Screw . . . . .	1
		(Inc. Items 1 thru 5)		13	L99029	Pump Mtg. Screw Lockwasher . . . .	1
03	L98214	Pin . . . . .	1	14	L99184	Filter Assembly. . . . .	1
04	L98215	Ball . . . . .	1	15	L98950	Piston . . . . .	1
05	L98216	Spring . . . . .	1	16	L98951	Spring . . . . .	1
06	L98219	Charging Pump Gasket . . . . .	1	17	L98952	Pin . . . . .	1
07	L98220	Charging Pump . . . . .	1	18	L98953	Sleeve . . . . .	1
08	L99020	Pump Mtg. Screw Lockwasher . . . .	1	19	L98954	Regulator Valve Asy. . . . .	1
09	L99023	Pump Mounting Scew . . . . .	1			(Inc. Items 15 thru 18)	
10	L99025	Pump Mounting Screw . . . . .	4				

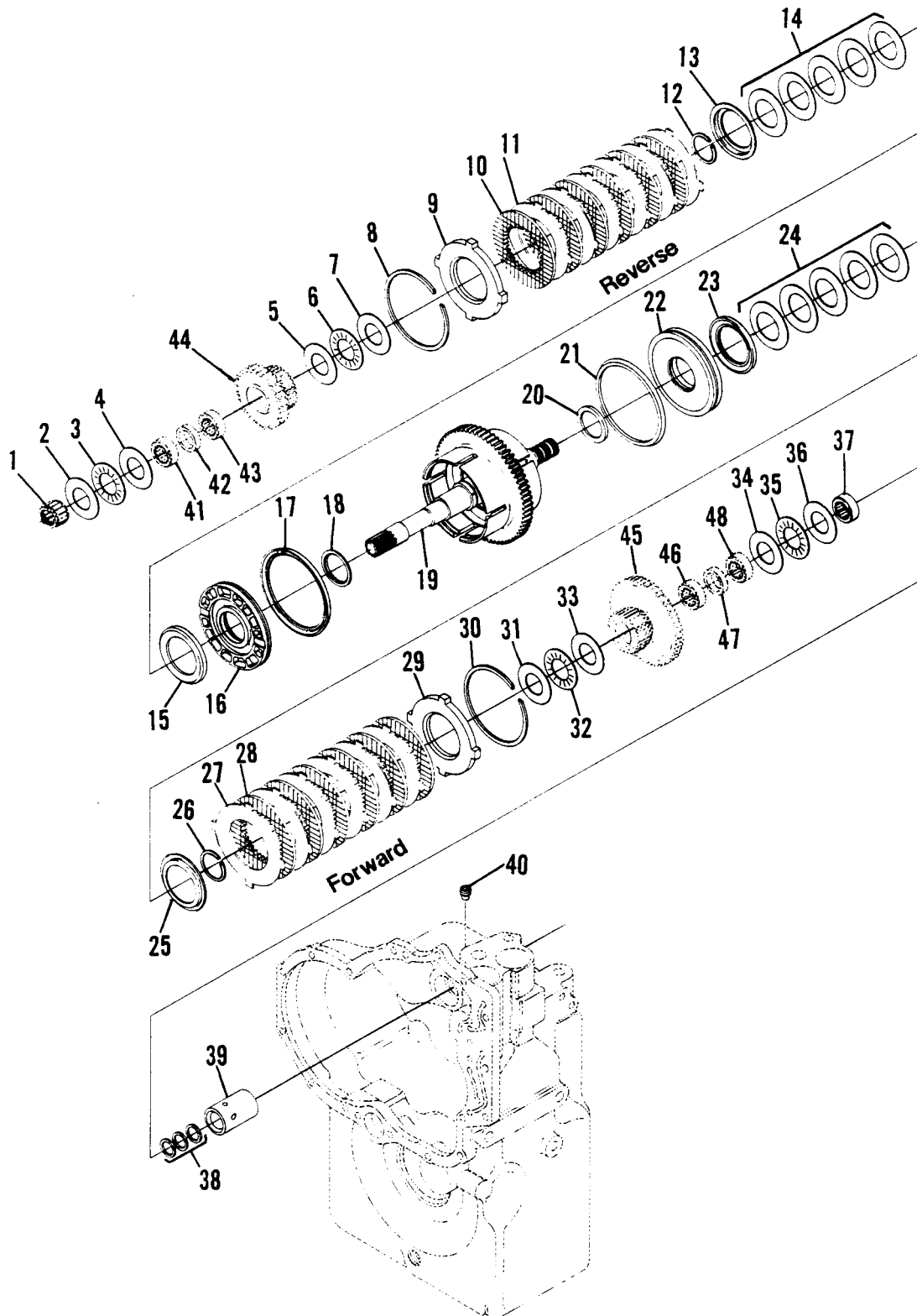
*Reverse Idler Group*



***Reverse Idler Group***

<b>Ref. No.</b>	<b>Part No.</b>	<b>Description</b>	<b>Qty. Req.</b>	<b>Ref. No.</b>	<b>Part No.</b>	<b>Description</b>	<b>Qty. Req.</b>
01	L98228	Idler Shaft Snap Ring . . . . .	1	06	L99032	End Plate Capscrew Washer . . . . .	1
02	L98229	Idler & Pilot Shaft . . . . .	1	07	L99031	Rev. Idler End Plate Capscrew . . . . .	1
03	L98230	Thrust Washer . . . . .	1	08	L98233	End Plate to Shaft Roll Pin . . . . .	1
04	L98231	Reverse Idler Gear Bearing . . . . .	1	09	L98955	Reverse Idler Gear . . . . .	1
05	L98232	End Plate . . . . .	1				

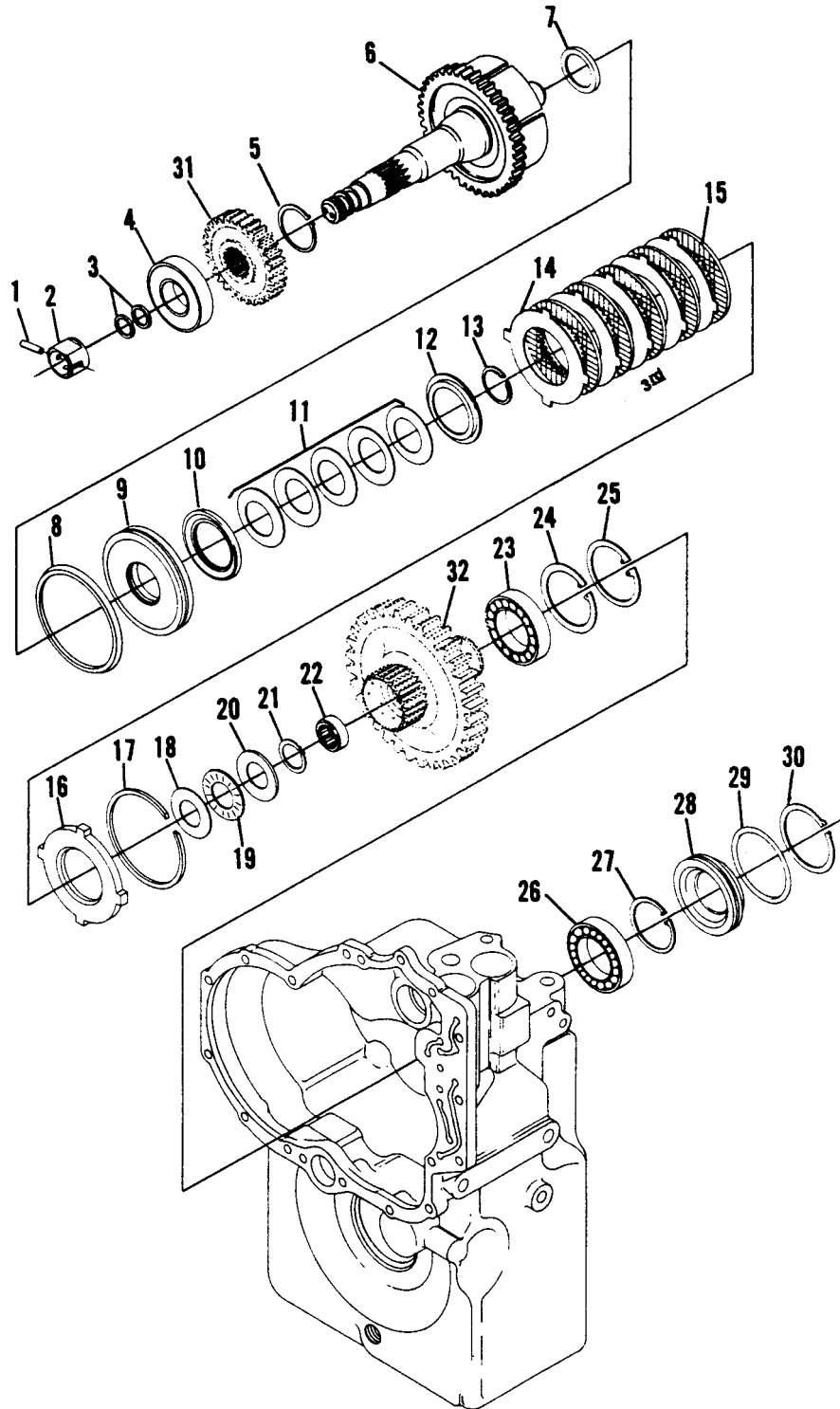
### Forward & Reverse Shaft Group



***Forward & Reverse Shaft Group***

Ref. No.	Part No.	Description	Qty. Req.	Ref. No.	Part No.	Description	Qty. Req.
01		Turbine Shaft Front Bearing <i>(See Converter Group)</i>		26	L98241	Retainer Snap Ring . . . . .	1
02	L98235	Clutch Gear Thrust Washer . . . . .	1	27	L98240	Outer Disc - Forward Clutch . . . . .	6
03	L98236	Clutch Gear Thrust Washer Brg. . . . .	1	28	L98239	Inner Disc - Forward Clutch . . . . .	6
04	L98235	Clutch Gear Thrust Washer . . . . .	1	29	L98238	End Plate . . . . .	1
05	L98235	Clutch Gear Thrust Washer . . . . .	1	30	L98237	End Plate Snap Ring . . . . .	1
06	L98236	Clutch Gear Thrust Washer Brg. . . . .	1	31	L98235	Clutch Gear Thrust Washer . . . . .	1
07	L98235	Clutch Gear Thrust Washer . . . . .	1	32	L98236	Clutch Gear Thrust Washer Brg. . . . .	1
08	L98237	End Plate Snap Ring . . . . .	1	33	L98235	Clutch Gear Thrust Washer . . . . .	1
09	L98238	End Plate . . . . .	1	34	L98235	Clutch Gear Thrust Washer . . . . .	1
10	L98239	Inner Disc-Reverse Clutch . . . . .	6	35	L98236	Clutch Gear Thrust Washer Brg. . . . .	1
11	L98240	Outer Disc-Reverse Clutch . . . . .	6	36	L98235	Clutch Gear Thrust Washer . . . . .	1
12	L98241	Retainer Snap Ring . . . . .	1	37	L98249	Thrbine Shaft Rear Bearing . . . . .	1
13	L98242	Snap Ring Retainer . . . . .	1	38	L98250	Piston Ring . . . . .	3
14	L98243	Disc Washer (Spring) Asy. . . . .	5	39	L98251	Oil Distributor Sleeve . . . . .	1
15	L98244	Clutch Piston Wear Plate . . . . .	1	40	L98252	Retainer Screw . . . . .	1
16	L98288	Clutch Piston . . . . .	1	41	L98253	Bearing . . . . .	1
17	L98246	Clutch Piston Seal - Outer . . . . .	1	42	L98254	Spacer . . . . .	1
18	L98247	Clutch Piston Seal - Inner. . . . .	1	43	L98253	Bearing . . . . .	1
19	L99291	Turbine Shaft Drum & Plug Asy. . . . .	1	44	L98962	Rev. Clutch Gear & Brg. Asy. . . . .	1
20	L98247	Clutch Piston Seal - Inner. . . . .	1			(Incl. Items 41 thru 43)	
21	L98246	Clutch Piston Seal - Outer . . . . .	1	45	L98255	Fwd. Clutch Gear & Brg. Asy. . . . .	1
22	L99290	Clutch Piston . . . . .	1			(Incl. Items 46 thru 48)	
23	L98244	Clutch Piston Wear Plate . . . . .	1	46	L98253	Bearing . . . . .	1
24	L98243	Disc Washer (Spring) Asy. . . . .	5	47	L98254	Spacer . . . . .	1
25	L98242	Snap Ring Retainer . . . . .	1	48	L98253	Bearing . . . . .	1

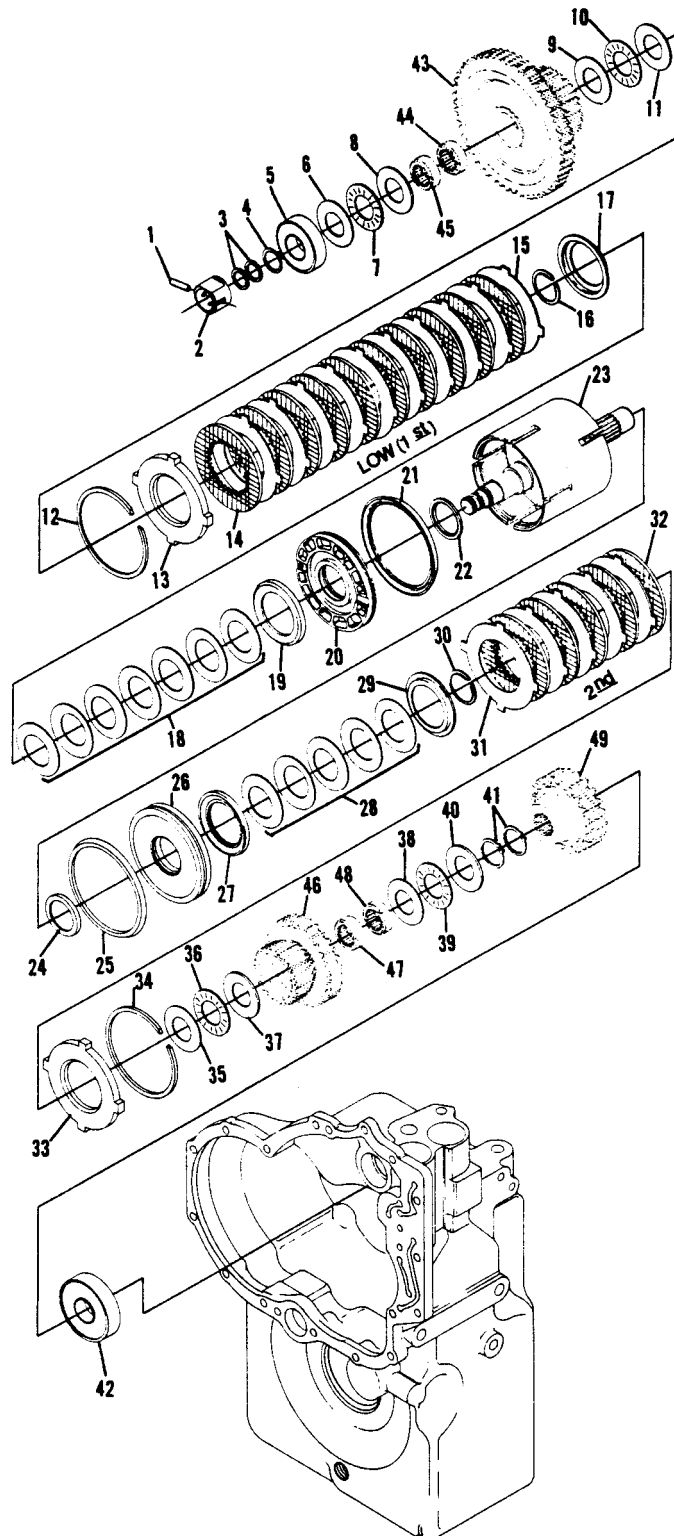
### 3rd & Output Shaft Group



***3rd & Output Shaft Group***

<b>Ref. No.</b>	<b>Part No.</b>	<b>Description</b>	<b>Qty. Req.</b>	<b>Ref. No.</b>	<b>Part No.</b>	<b>Description</b>	<b>Qty. Req.</b>
01	L98257	Sleeve Locating Screw . . . . .	1	17	L98237	End Plate Snap Ring . . . . .	1
02	L98258	Oil Distributor Sleeve . . . . .	1	18	L98235	Clutch Gear Thrust Washer . . . . .	1
03	L98250	Piston Ring . . . . .	2	19	L98236	Clutch Gear Thrust Washer Brg. . . . .	1
04	L98964	Bearing & Seal Asy. . . . .	1	20	L98235	Clutch Gear Thrust Washer . . . . .	1
05	L98260	Gear Hub Snap Ring . . . . .	1	21	L98271	Thrust Washer Ret. Snap Ring . . . . .	1
06	L98261	3rd Shaft, Drum, & Plug Asy. . . . .	1	22	L98263	3rd Clutch Gear Bearing. . . . .	1
07	L98247	Clutch Piston Inner Seal . . . . .	1	23	L99039	Rear Bearing . . . . .	1
08	L98246	Clutch Piston Outer Seal . . . . .	1	24	L98264	Rear Bearing Ret. Snap Ring . . . . .	1
09	L98262	Clutch Piston & Ball Seat Asy. . . . .	1	25	L98264	Output Shaft Brg. Snap Ring . . . . .	1
10	L98244	Clutch Piston Wear Plate . . . . .	1	26	L98282	Output Shaft Bearing . . . . .	1
11	L98243	Disc Spring Asy. . . . .	5	27	L98266	Output Shaft Brg. Ret. Snap Ring. . . . .	1
12	L98242	Snap Ring Retainer . . . . .	1	28	L98267	Plug - Capped End. . . . .	1
13	L98241	Retainer Snap Ring . . . . .	1	29	L98268	Oil Seal Sleeve "0" Ring. . . . .	1
14	L98240	Outer Disc - 3rd Clutch. . . . .	5	30	L98264	Output Shaft Brg. Snap Ring . . . . .	1
15	L98239	Inner disc - 3rd Clutch . . . . .	5	31	L98965	1st Drive Gear . . . . .	1
16	L98238	End Plate. . . . .	1	32	L98270	3rd Gear & Shaft . . . . .	1

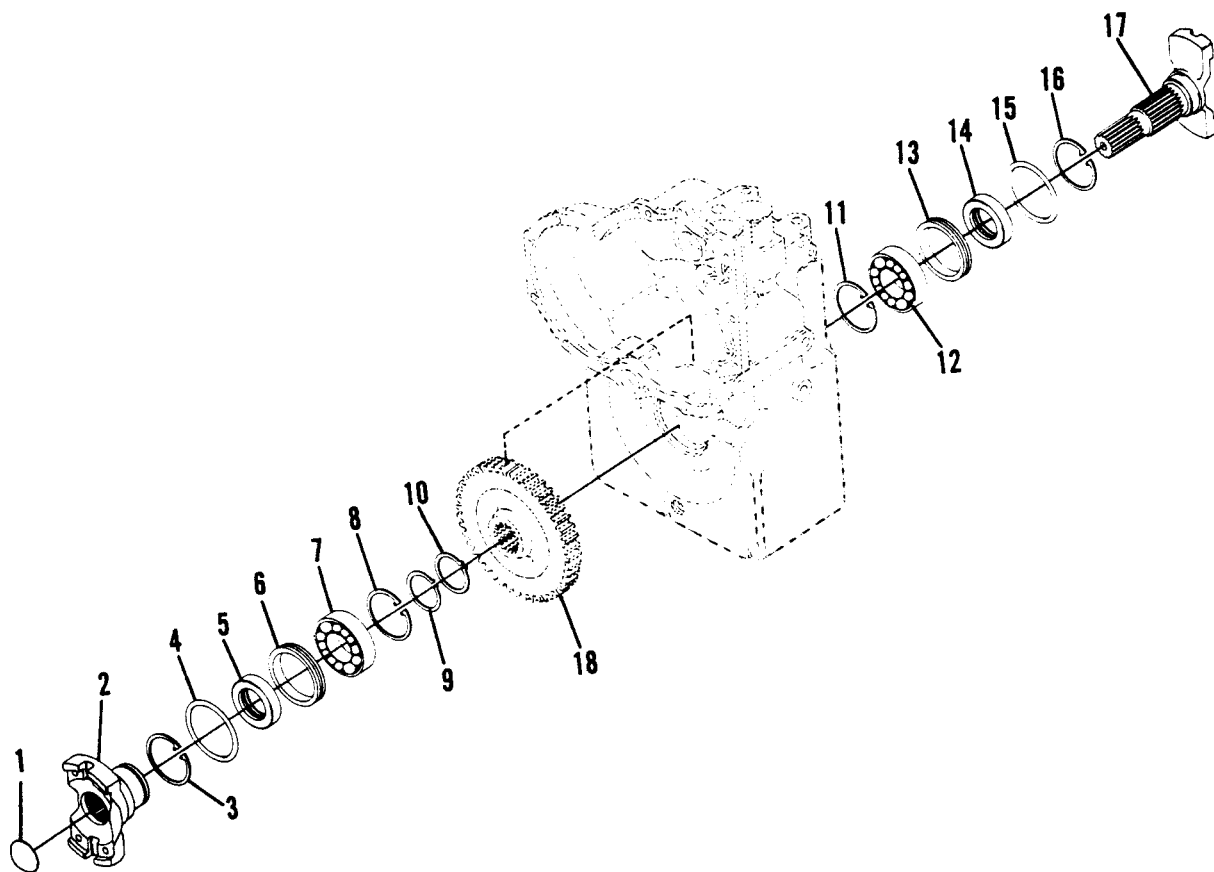
### 1st & 2nd Shaft Group



**1st & 2nd Shaft Group**

Ref. No.	Part No.	Description	Qty. Req.	Ref. No.	Part No.	Description	Qty. Req.
01	L98257	Sleeve Locating Screw . . . . .	1	27	L98244	Clutch Piston Wear Plate . . . . .	1
02	L98272	Oil Distributor Sleeve . . . . .	1	28	L98243	2nd Clutch Disc Spring Asy. . . . .	5
03	L98250	Piston Ring . . . . .	2	29	L98242	Snap Ring Retainer . . . . .	1
04		(Not Used)		30	L98241	Retainer Snap Ring . . . . .	1
05	L98964	Bearing & Seal Asy. . . . .	1	31	L98240	Outer Disc - 2nd Clutch . . . . .	5
06	L98235	Clutch Gear Thrust Washer . . . . .	1	32	L98239	Inner Disc - 2nd Clutch. . . . .	5
07	L98236	Clutch Gear Thrust Washer Brg. . . . .	1	33	L98238	End Plate . . . . .	1
08	L98235	Clutch Gear Thrust Washer . . . . .	1	34	L98237	End Plate Snap Ring . . . . .	1
09	L98235	Clutch Gear Thrust Washer . . . . .	1	35	L98235	Clutch Gear Thrust Washer . . . . .	1
10	L98236	Clutch Gear Thrust Washer Brg. . . . .	1	36	L98236	Clutch Gear Thrust Washer Brg. . . . .	1
11	L98235	Clutch Gear Thrust Washer . . . . .	1	37	L98235	Clutch Gear Thrust Washer . . . . .	1
12	L98237	End Plate Snap Ring . . . . .	1	38	L98235	Clutch Gear Thrust Washer . . . . .	1
13	L98238	End Plate . . . . .	1	39	L98236	Clutch Gear Thrust Washer Brg. . . . .	1
14	L98239	Inner Disc - 1st Clutch . . . . .	10	40	L98235	Clutch Gear Thrust Washer . . . . .	1
15	L98240	Outer Disc - 1st Clutch . . . . .	10	41	L98260	2nd Clutch Gear Hub Snap Ring . . . . .	2
16	L98241	Retainer Snap Ring . . . . .	1	42	L98275	Rear Bearing . . . . .	1
17	L98242	Snap Ring Retainer . . . . .	1	43	L98968	1st Clutch Gear & Brg. Asy. . . . .	1
18	L98243	1st Clutch Disc Spring Asy. . . . .	7			(Incl. Items 44,45)	
19	L98244	Clutch Piston Wear plate . . . . .	1	44	L98253	Bearing . . . . .	1
20	L99038	Clutch Piston . . . . .	1	45	L98253	Bearing . . . . .	1
21	L98246	Clutch Piston Seal - Outer . . . . .	1	46	L98276	2nd Clutch Gear & Brg. Assy. . . . .	1
22	L98247	Clutch Piston Seal - Inner. . . . .	1			(Incl. Items 47,48)	
23	L98274	1st & 2nd Shaft, Drum & Plug Asy. . . . .	1	47	L98253	Bearing . . . . .	1
24	L98247	Clutch Piston Seal - Inner. . . . .	1	48	L98253	Bearing . . . . .	1
25	L98246	Clutch Piston Seal - Outer . . . . .	1	49	L98277	3rd Driven Gear . . . . .	1
26	L99038	Clutch Piston . . . . .	1				

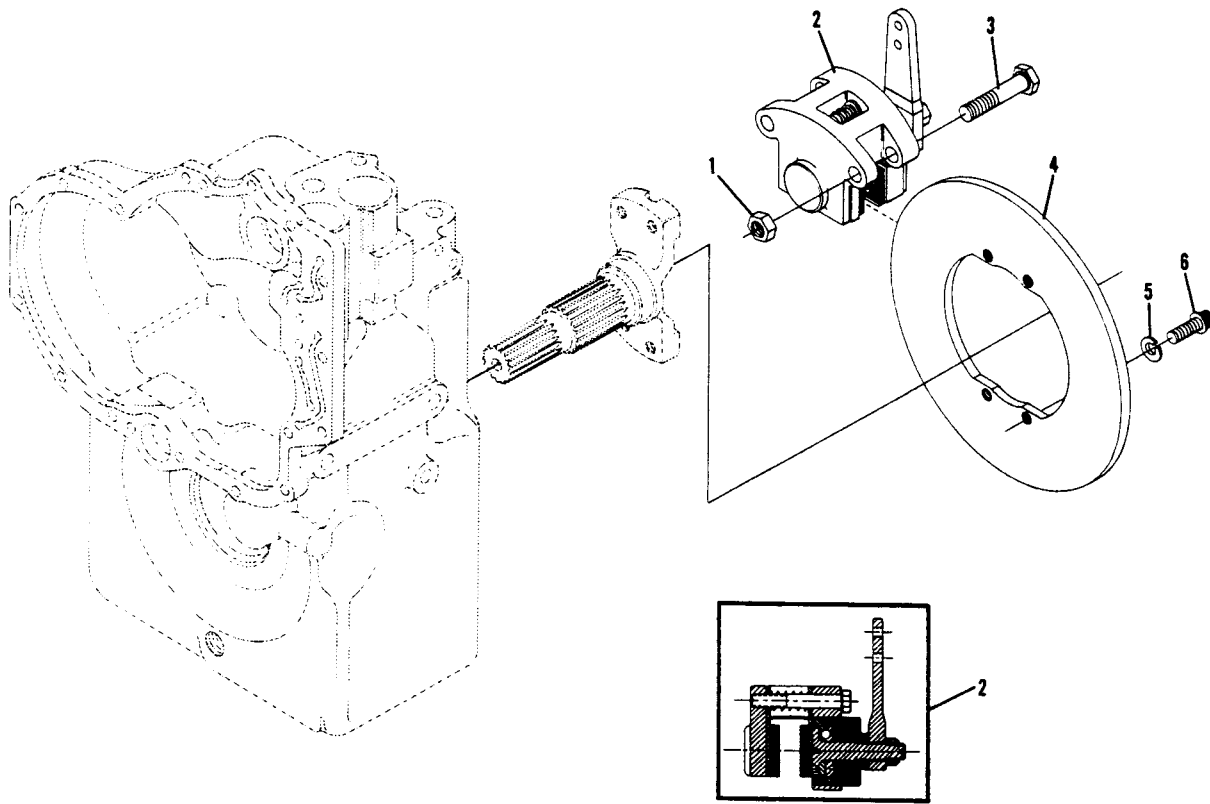
*Output Shaft Group*



***Output Shaft Group***

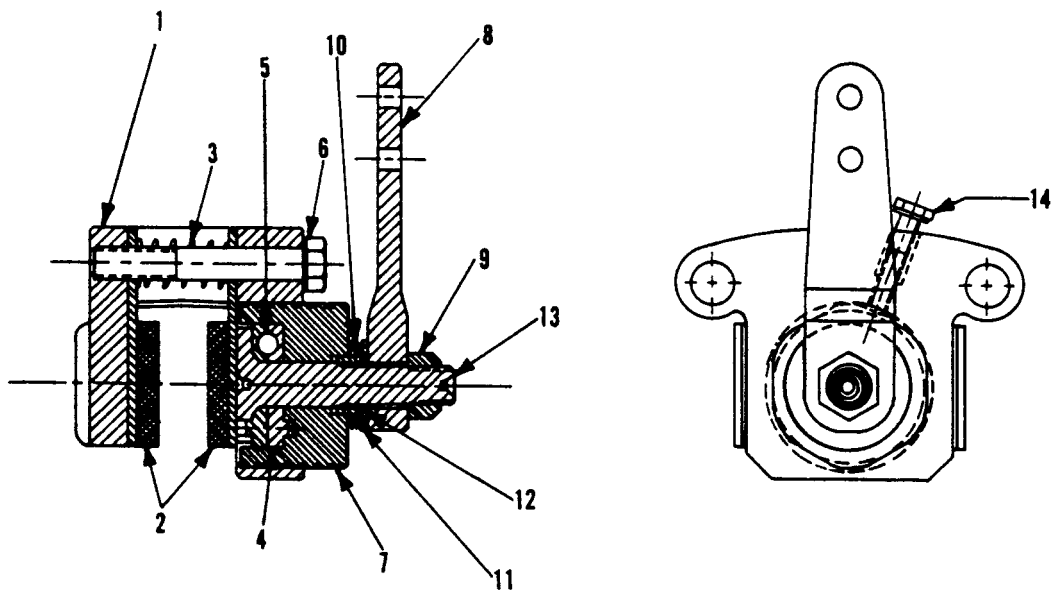
<b>Ref. No.</b>	<b>Part No.</b>	<b>Description</b>	<b>Qty. Req.</b>	<b>Ref. No.</b>	<b>Part No.</b>	<b>Description</b>	<b>Qty. Req.</b>
01	L98278	Flange Plug . . . . .	1	10	L98266	Gear Retaining Ring . . . . .	1
02	L98279	Output Flange & Plug Asy. . . . . (Inc. Item 1)	1	11	L98264	Output Shaft Brg. "O"Ring . . . . .	1
03	L98264	Output Shaft Brg. Snap Ring . . . . .	1	12	L98282	Output Shaft Bearing . . . . .	1
04	L98268	Oil Seal Sleeve "O"Ring . . . . .	1	13	L98281	Oil Seal Sleeve . . . . .	1
05	L96053	Output Shaft Oil Seal . . . . .	1	14	L96053	Output Shaft Oil Seal . . . . .	1
06	L98281	Oil Seal Sleeve . . . . .	1	15	L98268	Output Shaft Sleeve "O"Ring . . . . .	1
07	L98282	Output Shaft Bearing . . . . .	1	16	L98264	Output Shaft Brg. "O"Ring . . . . .	1
08	L98264	Output Shaft Brg. Snap Ring . . . . .	1	17	L98283	Output Shaft & Brake Flange (SC) . . . . .	1
09	L98266	Flange Retaining Ring . . . . .	1	18	L98284	Output Shaft Gear . . . . .	1

**Disc Brake Group**



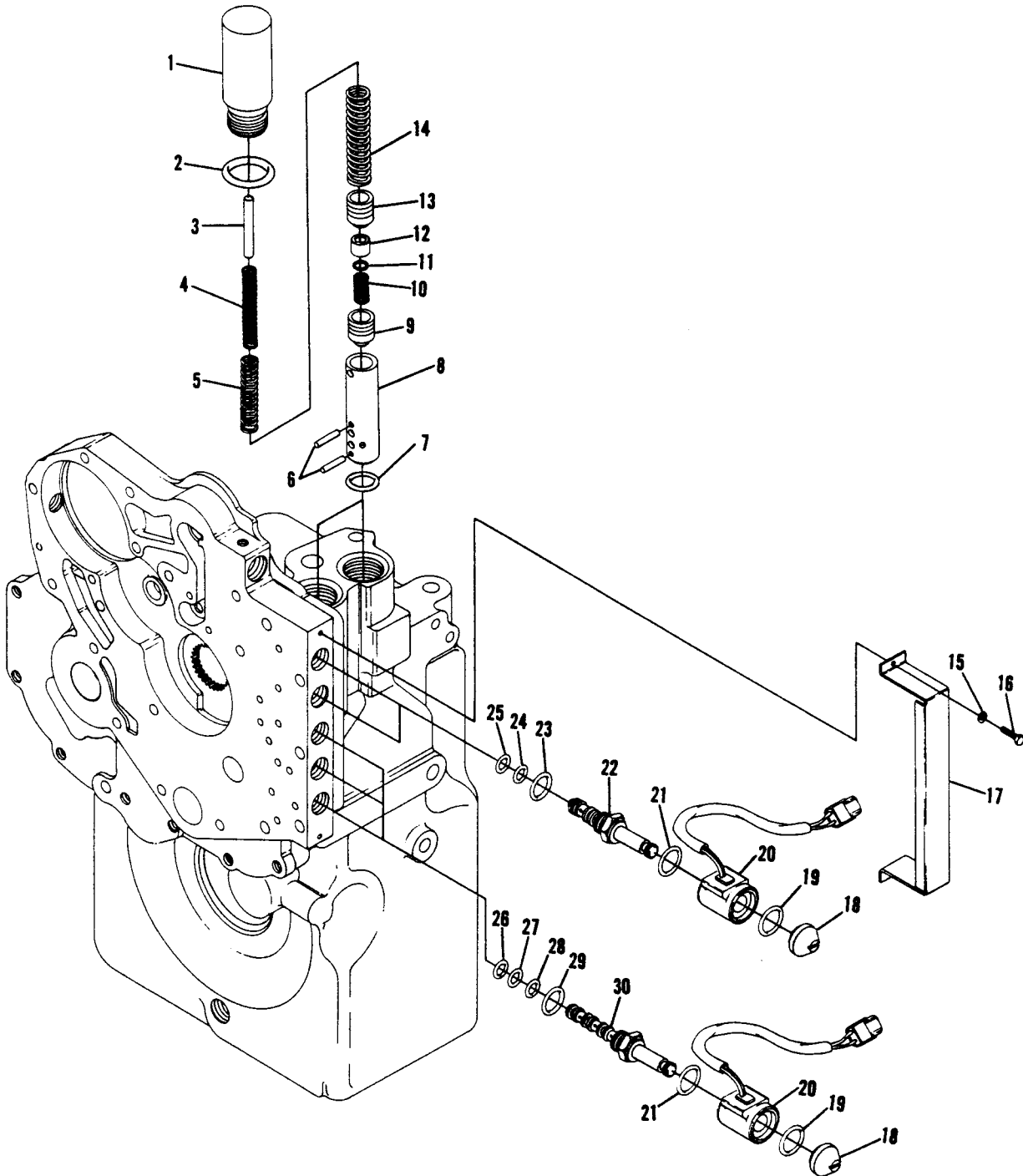
Ref. No.	Part No.	Description	Qty. Req.	Ref. No.	Part No.	Description	Qty. Req.
01	L99040	Caliper Asy. Capscrew Lock Nut . . .	2	04	L98287	Brake Disc . . . . .	1
02	L98970	Caliper Brake Asy. (See Parts List) .	1	05	L99042	Brake Disc Capscrew Lockwasher .	4
03	L99041	Caliper Assy. Mtg. Capscrew . . . . .	2	06	L99043	Brake Disc Capscrew . . . . .	4

**Brake Caliper Assembly**



Ref. No.	Part No.	Description	Qty. Req.	Ref. No.	Part No.	Description	Qty. Req.
01	NSS	Housing		11	NSS	Retainer	
02	L98288	Lining Kit . . . . .	1	12	NSS	Retainer Ring	
03	NSS	Spring		13	NSS	Piston	
04	NSS	Cam Plate		14	NSS	Capscrew	
05	NSS	Ball		15	L98290	Piston & Module Asy Kit . . . . .	1
06	NSS	Capscrew				(Incl. Items 4,7-13)	
07	NSS	Body		16	L98285	Ball & Cam Repair Kit . . . . .	1
08	L98289	Lever . . . . .	1			(Incl. Items 4,5)	
09	NSS	Nut		17	L98970	Caliper Asy (Incl. Items 1-14) . . . . .	1
10	NSS	Belleville Spring					

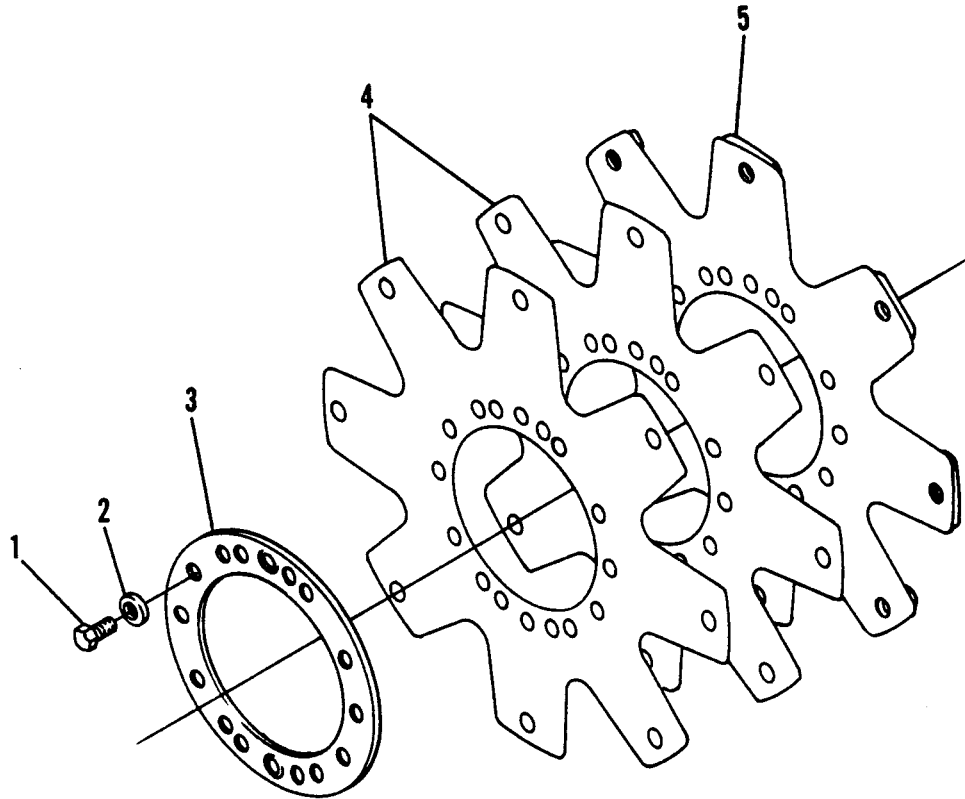
**Electric Control w/Modulation Group**



***Electric Control w/Modulation Group***

Ref. No.	Part No.	Description	Qty. Req.	Ref. No.	Part No.	Description	Qty. Req.
01	L98291	Modulator Valve Housing . . . . .	1	19	L98307	Nut to Coil "O,Ring. . . . .	4
02	L98292	Modulator Housing "0" Ring . . . . .	1	20	L98308	Solenoid Coil - 12 Volt . . . . .	4
03	L98293	Stop Pin . . . . .	1	21	L98307	Coil to Cartridge "O"Ring . . . . .	4
04	L98294	Spring - Inner . . . . .	1	22		<i>(Not Used - See Item 30)</i>	
05	L98295	Spring - Middle . . . . .	1	23		<i>(Not Used - See Item 29)</i>	
06	L98296	Upper Pin. . . . .	2	24		<i>(Not Used - See Item 28)</i>	
6A	L98957	Lower Pin. . . . .	2	25		<i>(Not Used - See Item 27)</i>	
07	L98297	Sleeve "O"Ring . . . . .	1	26	L98313	Cartridge "O"Ring. . . . .	3
08	L98298	Modulation Housing Sleeve . . . . .	1	27	L98312	Cartridge "O"Ring. . . . .	2
09	L98958	Regulator Spool . . . . .	1	28	L98311	Cartridge "O"Ring. . . . .	3
10	L98300	Spring . . . . .	1	29	L98310	Cartridge "O"Ring. . . . .	3
11	L98301	Spring Spacer. . . . .	1	30	L98314	Valve Cartridge, 4 Way. . . . .	2
12	L98302	Spring Retainer . . . . .	1			Used at 1st & 2nd - 3rd (Incl. Items 26-29)	
13	L98303	Accumulator Spool . . . . .	1	30A	L98315	Solenoid Bore Plug . . . . .	1
14	L98304	Spring - Outer . . . . .	1			Used at Fwd.-Hi & Low (Incl. (1) of Itmes 26,28,29)	
15	L99034	Cover Screw Lockwasher. . . . .	2	31	L98960	Spool Type Sol. Cartridge Asy (Incl. Item 18 thru 21[4 ea.] , 30) . . .	4
16	L99035	Cover Screw . . . . .	2				
17	L98305	Protective Cover. . . . .	1				
18	L99036	Valve Cartridge Retainer Nut . . . . .	4				

**Drive Plate Group**



Ref. No.	Part No.	Description	Qty. Req.	Ref. No.	Part No.	Description	Qty. Req.
01	L99033	Drive Plate Mounting Screw . . . . .	6	04	NSS	Drive Plate - (Incl. In Item #5)	
02	L99030	Drive Plate Mounting Screw Lockwasher . . . . .	6	05	L98317	Drive Plate Asy. Kit (Incl. Items 1 thru 4) . . . . .	1
03	L97516	Drive Plate Backing Ring . . . . .	1				

***Numerical Index***

<b>Part No.</b>	<b>Page No.</b>	<b>Ref. No.</b>	<b>Part No.</b>	<b>Page No.</b>	<b>Ref. No.</b>	<b>Part No.</b>	<b>Page No.</b>	<b>Ref. No.</b>	<b>Part No.</b>	<b>Page No.</b>	<b>Ref. No.</b>
L94824	10-7	15	L98235	10-17	20	L98243	10-17	11	L98263	10-17	22
L96053	10-21	14	L98235	10-15	05	L98244	10-19	27	L98264	10-21	11
L96053	10-21	05	L98235	10-15	04	L98244	10-17	10	L98264	10-21	16
L97516	10-26	03	L98235	10-19	40	L98244	10-19	19	L98264	10-17	30
L98176	10-7	25	L98235	10-17	18	L98244	10-15	15	L98264	10-17	25
L98184	10-7	21	L98235	10-15	31	L98244	10-15	23	L98264	10-17	24
L98185	10-7	22	L98235	10-15	02	L98246	10-19	21	L98264	10-21	08
L98188	10-8	01	L98235	10-19	38	L98246	10-19	25	L98264	10-21	03
L98189	10-8	02	L98236	10-19	07	L98246	10-17	08	L98266	10-17	27
L98190	10-8	03	L98236	10-15	03	L98246	10-15	21	L98266	10-21	10
L98191	10-8	04	L98236	10-17	19	L98246	10-15	17	L98266	10-21	09
L98191	10-8	06	L98236	10-19	39	L98247	10-17	07	L98267	10-17	28
L98194	10-8	07	L98236	10-15	06	L98247	10-19	24	L98268	10-21	15
L98195	10-8	08	L98236	10-19	36	L98247	10-15	20	L98268	10-17	29
L98195	10-8	10	L98236	10-15	35	L98247	10-15	18	L98268	10-21	04
L98196	10-8	09	L98236	10-19	10	L98247	10-19	22	L98270	10-3	32
L98197	10-8	20	L98236	10-15	32	L98249	10-15	37	L98270	10-17	32
L98198	10-8	11	L98237	10-17	17	L98250	10-15	38	L98271	10-17	21
L98199	10-8	12	L98237	10-19	34	L98250	10-17	03	L98272	10-19	02
L98200	10-8	13	L98237	10-15	08	L98250	10-19	03	L98274	10-19	23
L98201	10-8	14	L98237	10-15	30	L98251	10-15	39	L98275	10-19	42
L98202	10-8	15	L98237	10-19	12	L98252	10-15	40	L98276	10-19	46
L98203	10-8	16	L98238	10-19	33	L98253	10-19	45	L98276	10-3	46
L98204	10-8	17	L98238	10-17	16	L98253	10-19	44	L98277	10-19	49
L98205	10-8	18	L98238	10-15	09	L98253	10-19	47	L98277	10-3	49
L98206	10-8	19	L98238	10-15	29	L98253	10-19	48	L98278	10-21	01
L98211	10-9	07	L98238	10-19	13	L98253	10-3	41	L98279	10-21	02
L98212	10-9	06	L98239	10-15	28	L98253	10-15	48	L98281	10-21	13
L98214	10-11	03	L98239	10-15	10	L98253	10-3	44	L98281	10-21	06
L98215	10-11	04	L98239	10-19	32	L98253	10-3	45	L98282	10-21	12
L98216	10-11	05	L98239	10-17	15	L98253	10-3	48	L98282	10-21	07
L98217	10-7	35	L98239	10-19	14	L98253	10-15	41	L98282	10-17	26
L98218	10-7	36	L98240	10-15	11	L98253	10-15	46	L98283	10-21	17
L98219	10-11	06	L98240	10-19	31	L98253	10-3	43	L98284	10-3	18
L98220	10-11	07	L98240	10-17	14	L98253	10-3	47	L98284	10-21	18
L98228	10-13	01	L98240	10-19	15	L98253	10-3	48	L98285	10-23	16
L98229	10-13	02	L98240	10-15	27	L98253	10-3	46	L98287	10-22	04
L98230	10-13	03	L98241	10-15	26	L98253	10-15	43	L98288	10-23	02
L98231	10-13	04	L98241	10-19	30	L98254	10-3	42	L98288	10-15	16
L98232	10-13	05	L98241	10-17	13	L98254	10-15	42	L98289	10-23	08
L98233	10-13	08	L98241	10-19	16	L98254	10-3	47	L98290	10-23	15
L98235	10-19	09	L98241	10-15	12	L98254	10-15	47	L98291	10-25	01
L98235	10-15	34	L98242	10-15	25	L98255	10-3	45	L98292	10-25	02
L98235	10-19	37	L98242	10-17	12	L98255	10-15	45	L98293	10-25	03
L98235	10-19	08	L98242	10-19	17	L98257	10-19	01	L98294	10-25	04
L98235	10-15	33	L98242	10-15	13	L98257	10-17	01	L98295	10-25	05
L98235	10-19	06	L98242	10-19	29	L98258	10-17	02	L98296	10-25	06
L98235	10-15	36	L98243	10-19	28	L98260	10-19	41	L98297	10-25	07
L98235	10-19	35	L98243	10-15	14	L98260	10-17	05	L98298	10-25	08
L98235	10-19	11	L98243	10-19	18	L98261	10-17	06	L98300	10-25	10
L98235	10-15	07	L98243	10-15	24	L98262	10-17	09	L98301	10-25	11

***Numerical Index***

<b>Part No.</b>	<b>Page No.</b>	<b>Ref. No.</b>	<b>Part No.</b>	<b>Page No.</b>	<b>Ref. No.</b>	<b>Part No.</b>	<b>Page No.</b>	<b>Ref. No.</b>	<b>Part No.</b>	<b>Page No.</b>	<b>Ref. No.</b>
L98302	10-25	12	L98970	10-22	02	L99283	10-7	11A			
L98303	10-25	13	L98970	10-23	17	L99283	10-5	06			
L98304	10-25	14	L99012	10-7	18	L99283	10-5	01			
L98305	10-25	17	L99013	10-7	19	L99284	10-7	16A			
L98307	10-25	21	L99018	10-7	32	L99284	10-5	02A			
L98307	10-25	19	L99018	10-7	38	L99284	10-5	06A			
L98308	10-25	20	L99020	10-11	11	L99284	10-7	11B			
L98310	10-25	29	L99020	10-11	08	L99284	10-5	01A			
L98311	10-25	28	L99023	10-11	09	L99285	10-5	12			
L98312	10-25	27	L99025	10-11	10	L99286	10-5	05			
L98313	10-25	26	L99027	10-11	12	L99287	10-7	01			
L98314	10-25	30	L99029	10-7	39	L99287	10-7	12			
L98315	10-25	30A	L99029	10-7	43	L99287	10-7	42			
L98317	10-26	05	L99029	10-11	13	L99288	10-7	02A			
L98734	10-7	40	L99029	10-7	33	L99288	10-7	13A			
L98735	10-7	41	L99029	10-5	14	L99289	10-7	03			
L98924	10-7	02	L99029	10-7	31	L99290	10-15	22			
L98924	10-7	13	L99029	10-5	11	L99290	10-7	05			
L98926	10-7	06	L99029	10-5	09	L99291	10-15	19			
L98927	10-7	28	L99029	10-5	07	L99291	10-7	08			
L98927	10-7	07	L99030	10-26	02	L99292	10-8	05			
L98931	10-7	29	L99031	10-13	07						
L98932	10-7	30	L99032	10-13	06						
L98935	10-7	37	L99033	10-26	01						
L98938	10-5	04	L99034	10-25	15						
L98942	10-9	05	L99035	10-25	16						
L98942	10-9	01	L99036	10-25	18						
L98943	10-9	02	L99038	10-19	20						
L98944	10-9	03	L99038	10-19	26						
L98945	10-9	04	L99039	10-17	23						
L98947	10-9	08	L99040	10-22	01						
L98948	10-11	01	L99041	10-22	03						
L98949	10-11	02	L99042	10-22	05						
L98950	10-11	15	L99043	10-22	06						
L98951	10-11	16	L99045	10-7	34						
L98952	10-11	17	L99184	10-11	14						
L98953	10-11	18	L99246	10-7	11						
L98954	10-11	19	L99246	10-5	03						
L98955	10-13	09	L99246	10-5	02						
L98955	10-3	09	L99246	10-7	04						
L98957	10-25	06A	L99249	10-5	02B						
L98958	10-25	09	L99251	10-7	20						
L98960	10-25	31	L99253	10-7	26						
L98962	10-15	44	L99260	10-5	08						
L98962	10-3	44	L99260	10-5	10						
L98964	10-17	04	L99261	10-5	13						
L98964	10-19	05	L99262	10-5	15						
L98965	10-3	31	L99269	10-7	23						
L98965	10-17	31	L99270	10-7	27						
L98968	10-3	43	L99274	10-7	09						
L98968	10-19	43	L99283	10-7	16						

**GEHL<sup>®</sup> CONSTRUCTION**

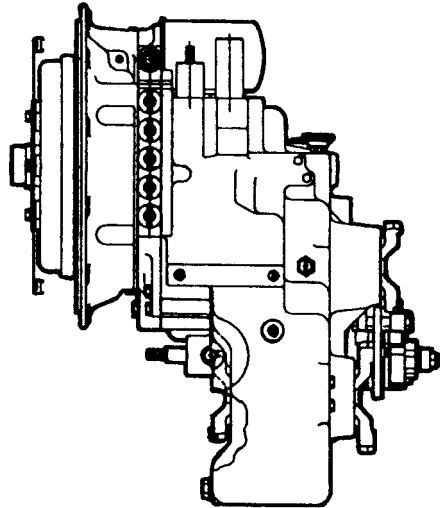
---

# **T12000**

## **Clark**

### **Transmission**

**Model No.**  
**1106-T12366-14**



# **SERVICE PARTS**



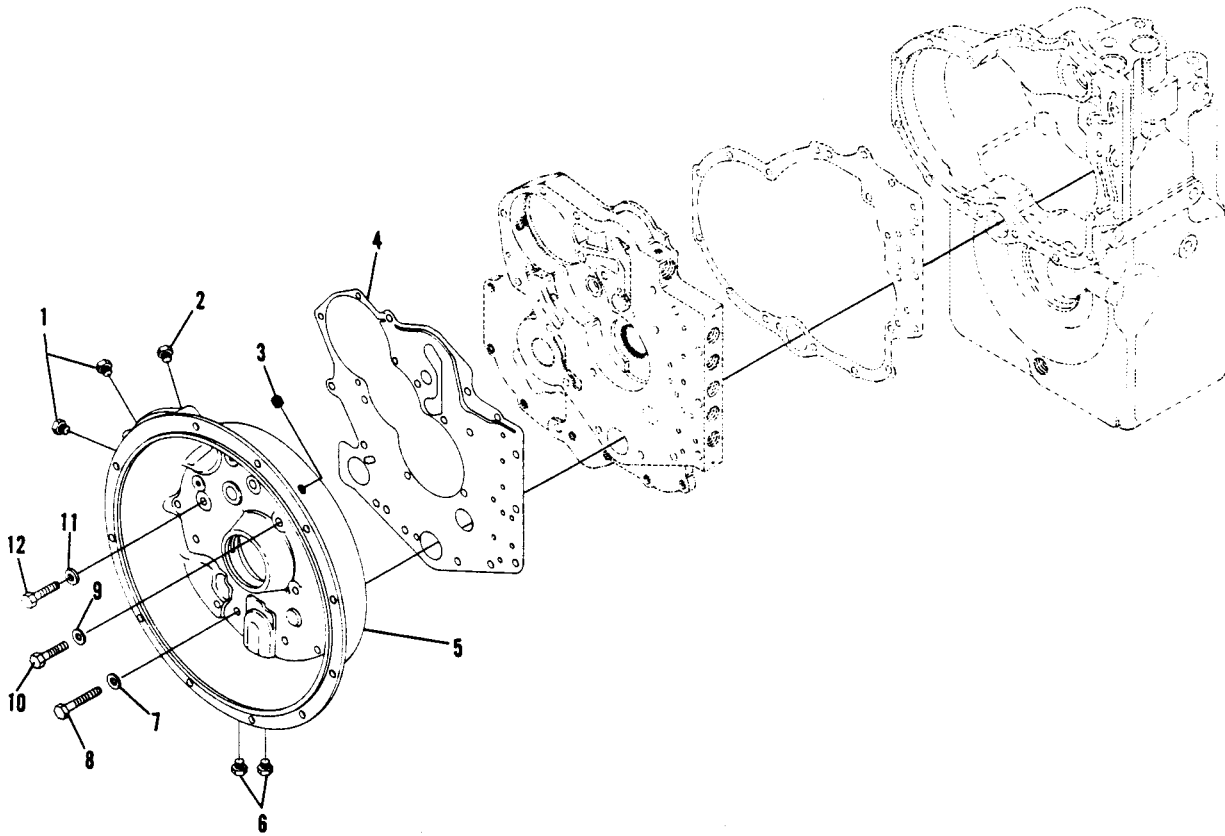
Section Contents ..... **11-1**  
4260771 - Special Parts Group ..... **11-3**  
4224702 - Converter Housing Group ..... **11-4**  
4224729 - Case and Plate Group ..... **11-6**  
4224647 - Torque Converter Group ..... **11-8**  
267396 - Pump Drive Group ..... **11-9**  
4224064 - Charge Pump Group ..... **11-10**  
267079 - Reverse Idler Group ..... **11-12**  
4224984 - Forward/Reverse Shaft Group ..... **11-14**  
267185 - 3rd and Output Shaft Group ..... **11-16**  
267082 - 1st and 2nd Shaft Group ..... **11-18**  
267083 - Output Shaft Group ..... **11-20**  
4500425 - Disc Brake Group ..... **11-22**  
4203421 - Brake Caliper Assembly ..... **11-23**  
4224059 - Electric Control With Modulation Group ..... **11-24**  
267086 - Drive Plate Group ..... **11-26**  
Numerical Index ..... **11-27**

**This Page Intentionally Blank**

***Special Parts Group***

<b>Ref. No.</b>	<b>Part No.</b>	<b>Description</b>	<b>Qty. Req.</b>	<b>Ref. No.</b>	<b>Part No.</b>	<b>Description</b>	<b>Qty. Req.</b>
<b>PAGE 12/13</b>				<b>PAGE 18/19</b>			
09	L98955	REV. IDLER GEAR (26T) . . . . .	1	43	L98968	1ST CLUTCH GEAR & BRG. ASY (Incl. Items 44,45) . . . . .	1
<b>PAGE 14/15</b>				44	L98253	BEARING. . . . .	1
41	L98253	REV. CLUTCH GEAR BRG. . . . .	1	45	L98253	BEARING. . . . .	1
42	L98254	REV. CLUTCH GEAR SPACER . . .	1	46	L98276	2ND CLUTCH GEAR & BRG. ASY (Incl. Items 47,48)	1
43	L98253	REV. CLUTCH GEAR BRG. . . . .	1	47	L98253	BEARING. . . . .	1
44	L98962	REV. CLUTCH GEAR. . . . .	1	48	L98253	BEARING. . . . .	1
		& BRG. ASY. (Incl. Items 41-43)		49	L98277	3RD DRIVEN GEAR (18T) . . . . .	1
45	L98255	FWD. CLUTCH GEAR . . . . .	1	<b>PAGE 20/21</b>			
		& BRG. ASY. (Incl. Items 46-48)		18	L98284	OUTPUT SHAFT GEAR (40T) . . . . .	1
46	L98253	FWD. CLUTCH GEAR BRG. . . . .	1				
47	L98254	FWD. CLUTCH GEAR SPACER. . .	1				
48	L98253	FWD. CLUTCH GEAR BRG. . . . .	1				
<b>PAGE 16/17</b>							
31	L98965	1ST DRIVE GEAR (29T) . . . . .	1				
32	L99270	3RD GEAR & OUTPUT SHAFT (46T). . . . .	1				

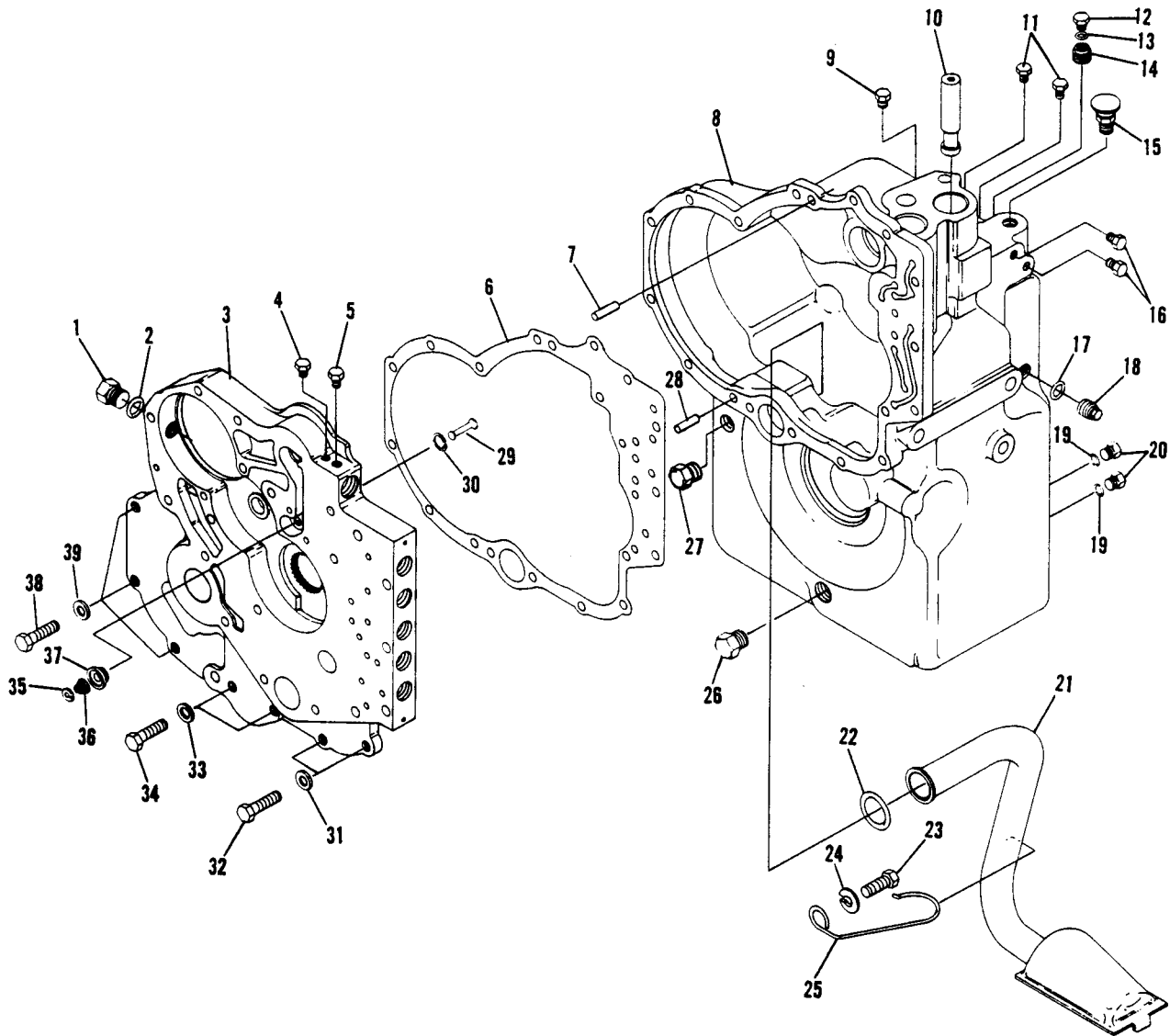
**Converter Housing Group**



***Converter Housing Group***

<b>Ref. No.</b>	<b>Part No.</b>	<b>Description</b>	<b>Qty. Req.</b>	<b>Ref. No.</b>	<b>Part No.</b>	<b>Description</b>	<b>Qty. Req.</b>
01	L99283	Plug (Hi & 3rd Port) . . . . .	2	08	L99260	Conv. Housing. to Trans.	
01A	L99284	Plug "O"Ring (N.I.) . . . . .	2			Case Screw . . . . .	13
02	L99283	Reg. Pressure Port Plug. . . . .	1	09	L99029	Conv. Housing. to Plate	
02A	L99284	Plug "O"Ring (N.I.) . . . . .	1			Screw Lockwasher . . . . .	3
02B	L99249	Plug . . . . .	1	10	L99060	Conv. Hsg. to Plate Screw . . . . .	3
03	L99246	Plug . . . . .	1	11	L99029	Conv. Hsg. to Plate . . . . .	6
04	L98938	Housing to Plate Gasket. . . . .	1			Screw Lockwasher	
05	L99286	Converter Housing . . . . .	1	12	L99285	Conv. Hsg. to Plate Screw . . . . .	6
06	L99283	Plug (1st & 2nd Port) . . . . .	2	13	L99261	Conv. Hsg. to Plate Screw (N.I.) . . . . .	1
06A	L99284	Plug "O"Ring (N.I.) . . . . .	2	14	L99029	Conv. Hsg. to Plate	
07	L99029	Conv. Hsg. to Trans. Case				Screw Lockwasher (N.I.) . . . . .	1
		Screw Lockwasher . . . . .	13	15	L99262	Check valve Bore Plug (N.I.) . . . . .	1

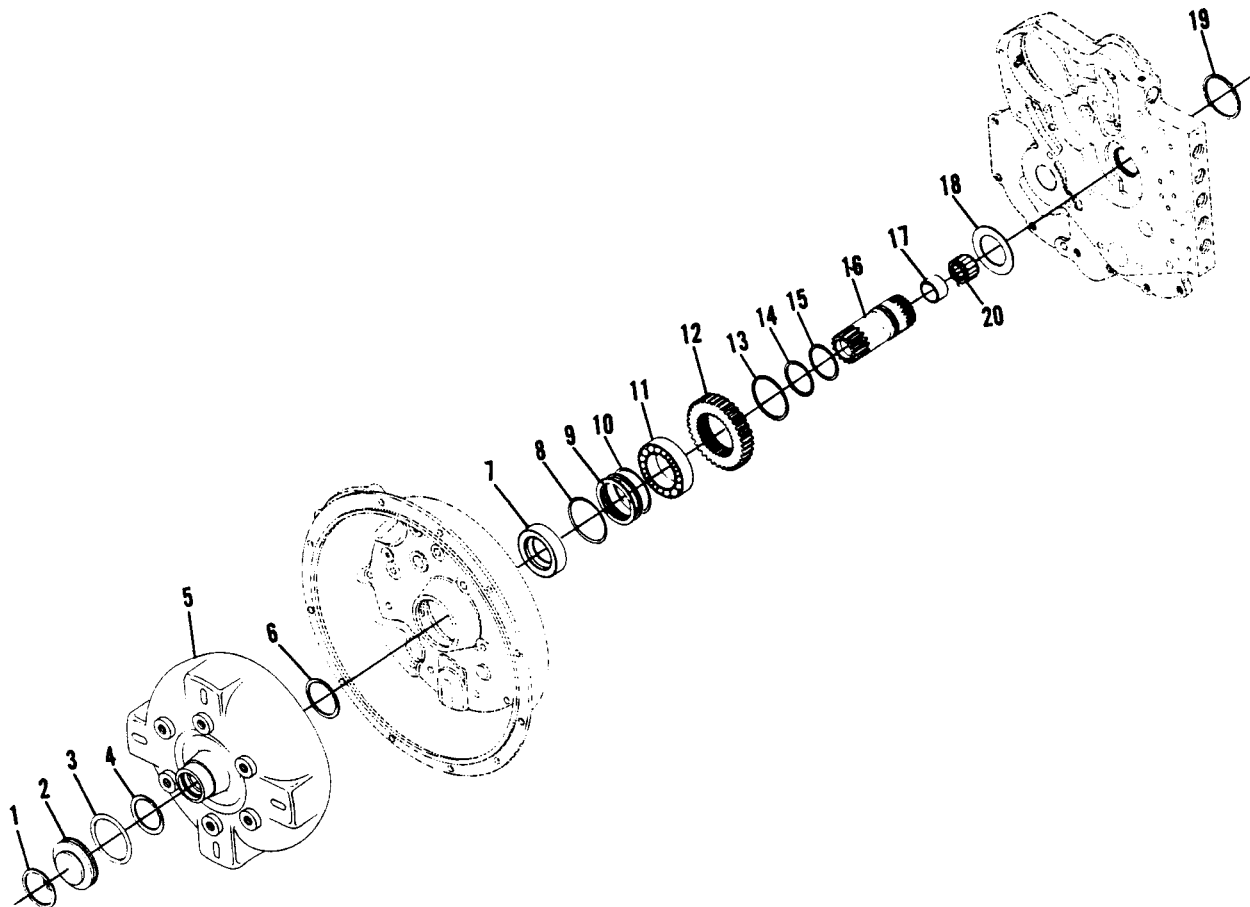
Case & Plate Group



**Case & Plate Group**

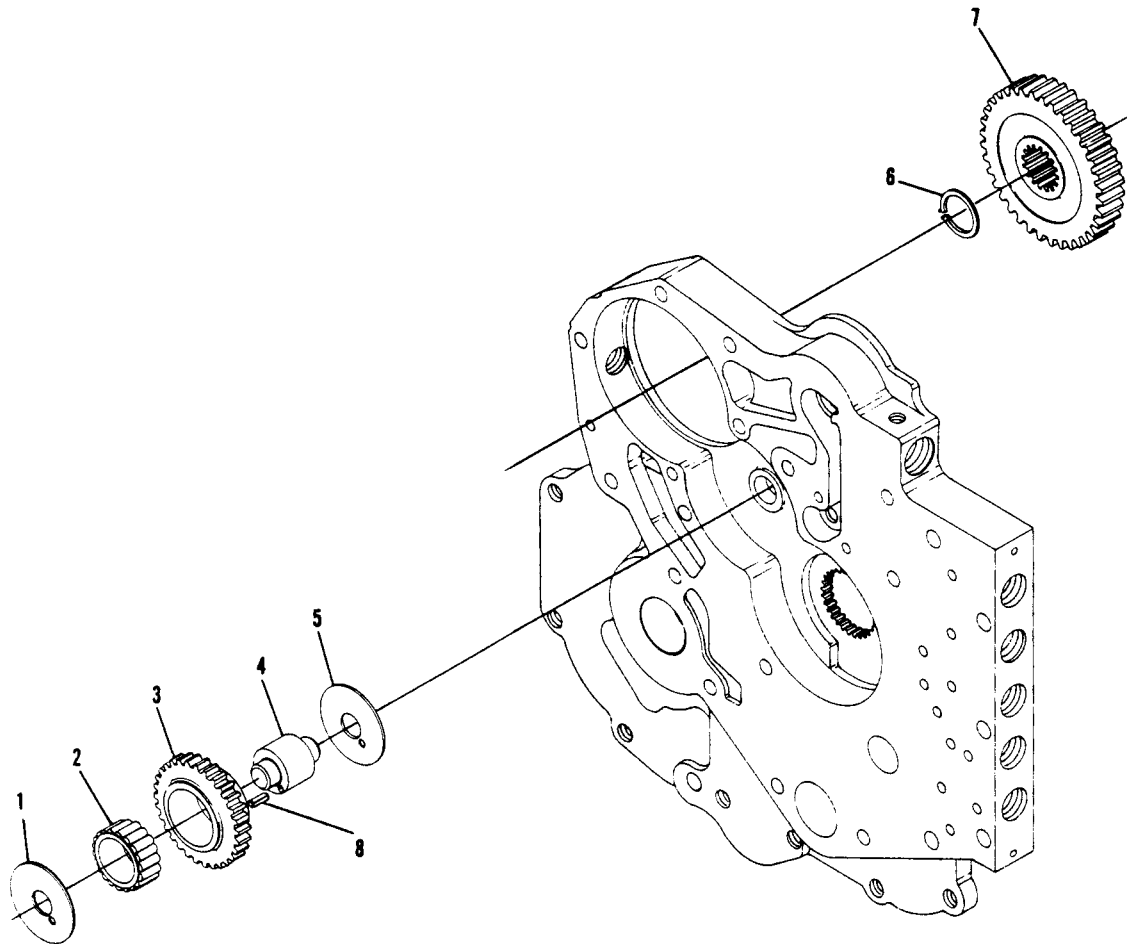
Ref. No.	Part No.	Description	Qty. Req.	Ref. No.	Part No.	Description	Qty. Req.
01	L99287	Sensor Port Plug . . . . .	1	24	L99295	Clip Screw Washer . . . . .	1
02	L99312	Sensor "O"Ring . . . . .	1	24A	L99294	Clip Screw Nut . . . . .	1
02A	L99288	Speed Sensor Screw (N.I.) . . . . .	1	24B	L99295	Clip Screw Nut (N.I.) . . . . .	1
03	L99289	Spacer Plate . . . . .	1	25	L98176	Oil Supply Tube Retainer Clip . . . . .	1
04	L99246	Inlet Pressure Port Plug . . . . .	1	26	L99253	Magnetic Drain Plug . . . . .	1
05	L99290	Outlet Temperture Port Plug . . . . .	1	27	L99270	Drain Back Port Plug . . . . .	1
06	L98926	Plate to Transmission Case Gasket . . . . .	1	28	L98927	Plate to Transmission Case Dowel Pin . . . . .	1
07	L98927	Plate to Transmission Case Dowel Pin . . . . .	1	29	L98931	Converter Safety Valve Poppet . . . . .	1
08	L99291	Transmission Case . . . . .	1	30	L98932	Seat Snap Ring . . . . .	1
09	L99274	Filler Plug . . . . .	1	31	L99029	Plate to Transmission Case Screw Lockwasher . . . . .	2
10		(Not Used)		32	L99018	Plate to Transmission Case Screw . . . . .	2
11	L99246	Pipe Plug . . . . .	2	33	L99029	Plate to Transmission Case Screw Lockwasher . . . . .	2
11A	L99283	Plug . . . . .	1	34	L99045	Plate to Transmission Case Screw . . . . .	3
11B	L99284	Plug "O"Ring . . . . .	1	35	L98217	Poppet Washer . . . . .	1
12	L99287	Speed Sensor Port Plug . . . . .	1	36	L98218	Safety Valve Spring . . . . .	1
13	L99312	Sensor "O" Ring . . . . .	1	37	L98935	Safety Valve Seat . . . . .	1
13A	L99288	Speed Sensor Screw (N.I.) . . . . .	1	38	L99018	Plate to Transm. Case Screw . . . . .	3
14		(Not Used)		39	L99029	Plate to Transsion Case Screw Lockwasher . . . . .	3
15	L94824	Air Breather . . . . .	1	40	L98734	Dipstick Port Plug (N.I.) . . . . .	1
16	L99283	Plug . . . . .	2	41	L98735	Dipstick Asy. (N.I.) . . . . .	1
16A	L99284	Plug "O"Ring (N.I.) . . . . .	2	42	L99287	Baffle Hole Screw (N.I.) . . . . .	1
17		(Not Used)		43	L99029	Baffle Hole Screw (N.I.) . . . . .	1
18	L99012	Sensor Port Plug . . . . .	1			Lockwasher (N.I.) . . . . .	1
19	L99013	Plug "O" Ring . . . . .	2				
20	L99251	Oil Level Plug . . . . .	2				
21	L98184	Tube & Screen Assembly . . . . .	1				
22	L98185	Oil Supply Tube Seal Ring . . . . .	1				
23	L99293	Retainer Clip Screw . . . . .	1				

**Torque Converter Group**



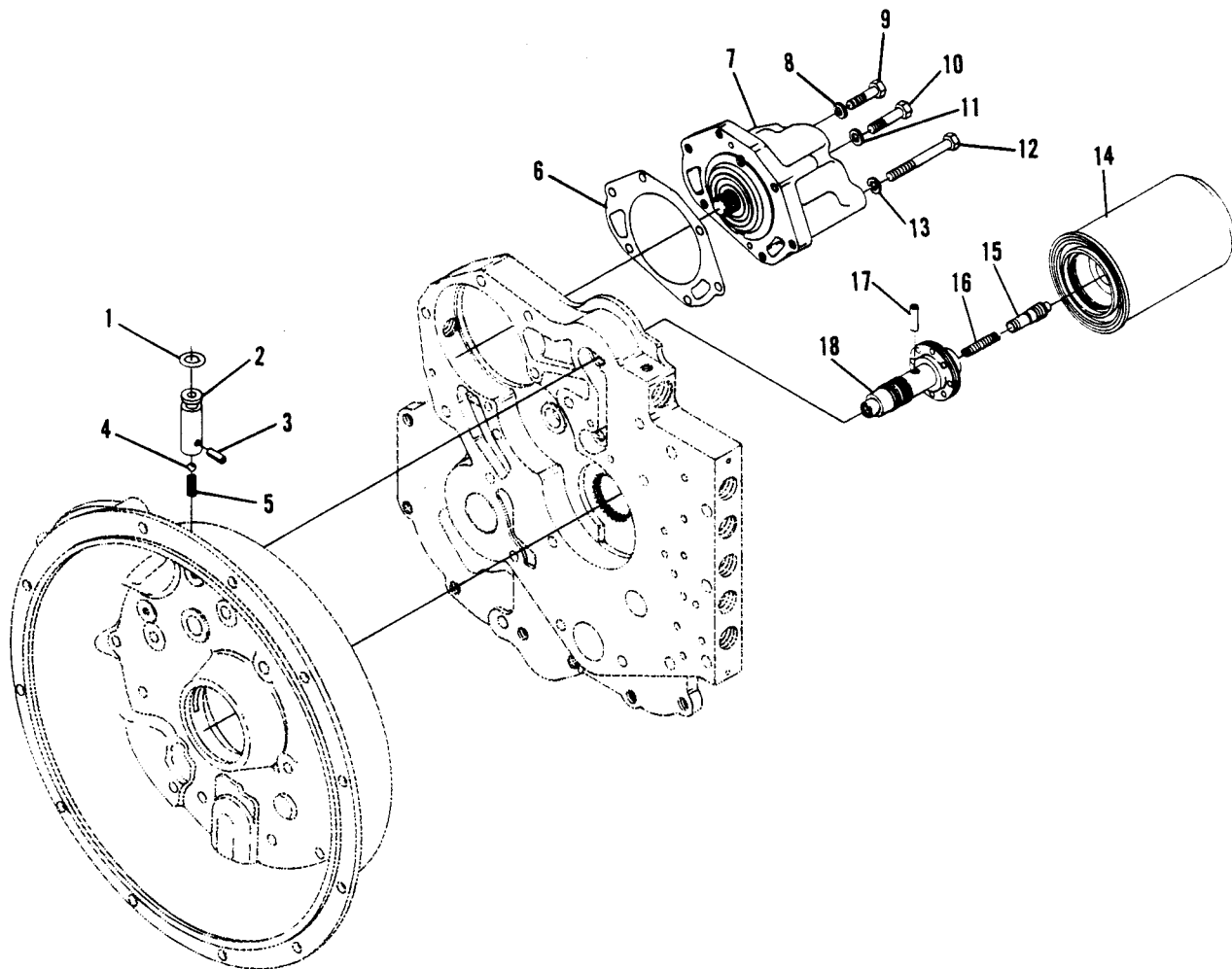
Ref. No.	Part No.	Description	Qty. Req.	Ref. No.	Part No.	Description	Qty. Req.
01	L98188	Plug Snap Ring . . . . .	1	12	L98199	Impeller Hub Gear (35T). . . . .	1
02	L98189	Torque Converter Plug . . . . .	1	13	L98200	Stator Support Snap Ring. . . . .	1
03	L98190	Torque Converter Plug "O" Ring . . .	1	14	L98201	Stator Support Piston Ring . . . . .	1
04	L98191	Impeller Hub Snap Ring . . . . .	1	15	L98202	Stator Support Piston . . . . .	1
05	L99313	Torque Converter Asy. . . . .	1			Ring Expander	
06	L98191	Impeller Hub Snap Ring . . . . .	1	16	L98203	Stator Support Asy . . . . .	1
07	L98194	Conv. Hsg. Oil Seal . . . . .	1			(Inc. Item 17 & 20)	
08	L98195	Oil Distributor Ring "O"Ring . . . . .	1	17	L98204	Bushing (Inc. in Item 16) . . . . .	1
09	L98196	Oil Distributor Ring . . . . .	1	18	L98205	Impeller Hub Gear Washer. . . . .	1
10	L98195	Oil Distributor Ring "O"Ring. . . . .	1	19	L98206	Stator Support Snap Ring. . . . .	1
11	L98198	Torque Conv. Bearing. . . . .	1	20	L98197	Bearing (Inc. In Item #16). . . . .	1

**Pump Drive Group**



Ref. No.	Part No.	Description	Qty. Req.	Ref. No.	Part No.	Description	Qty. Req.
01	L98942	Pump Drive Idler Thrust Washer...	1	05	L98942	Pump Drive Idler Thrust Washer...	1
02	L98943	Idler Gear Bearing .....	1	06	L98212	Pump Drive Gear Ret Snap Ring..	1
03	L98944	Pump Drive Idler Gear (31T) .....	1	07	L98211	Pump Drive Gear (34T) .....	1
04	L98945	Pump Drive Idler Shaft & Pin Asy... (Incl. Item #8)	1	08	L98947	Roll Pin (Incl. in Item #4) .....	1

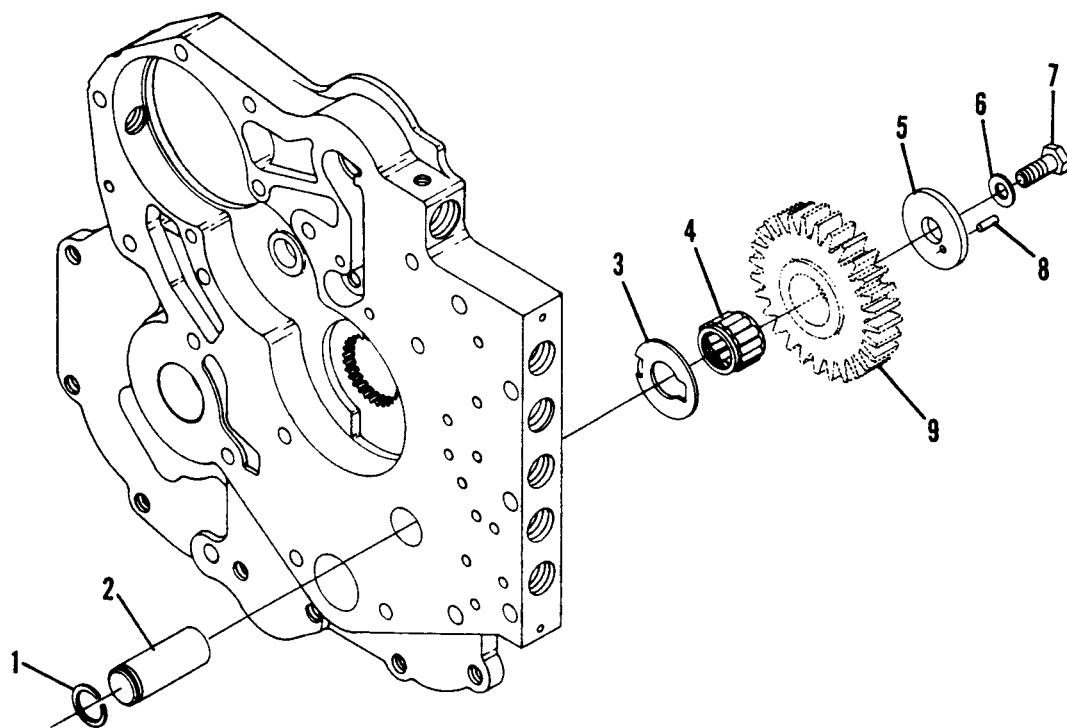
**Charge Pump w/Filter Group**



***Charge Pump w/Filter Group***

<b>Ref. No.</b>	<b>Part No.</b>	<b>Description</b>	<b>Qty. Req.</b>	<b>Ref. No.</b>	<b>Part No.</b>	<b>Description</b>	<b>Qty. Req.</b>
01	L98948	"O"Ring . . . . .	1	11	L99020	Pump Mtg. Screw Lockwasher . . . .	4
02	L98949	Ball Check Valve Asy. . . . .	1	12	L99277	Pump Mtg. Screw . . . . .	1
		(Inc. Items 1 thru 5)		13	L99029	Pump Mtg. Screw Lockwasher . . . .	1
03	L98214	Pin . . . . .	1	14	L99184	Filter Assembly. . . . .	1
04	L98215	Ball . . . . .	1	15	L98950	Piston . . . . .	1
05	L98216	Spring . . . . .	1	16	L98951	Spring . . . . .	1
06	L98219	Charging Pump Gasket . . . . .	1	17	L98952	Pin . . . . .	1
07	L98220	Charging Pump . . . . .	1	18	L98953	Sleeve . . . . .	1
08	L99020	Pump Mtg. Screw Lockwasher . . . .	1	19	L98954	Regulator Valve Asy. . . . .	1
09	L99023	Pump Mounting Scew . . . . .	1			(Inc. Items 15 thru 18)	
10	L99025	Pump Mounting Screw . . . . .	4				

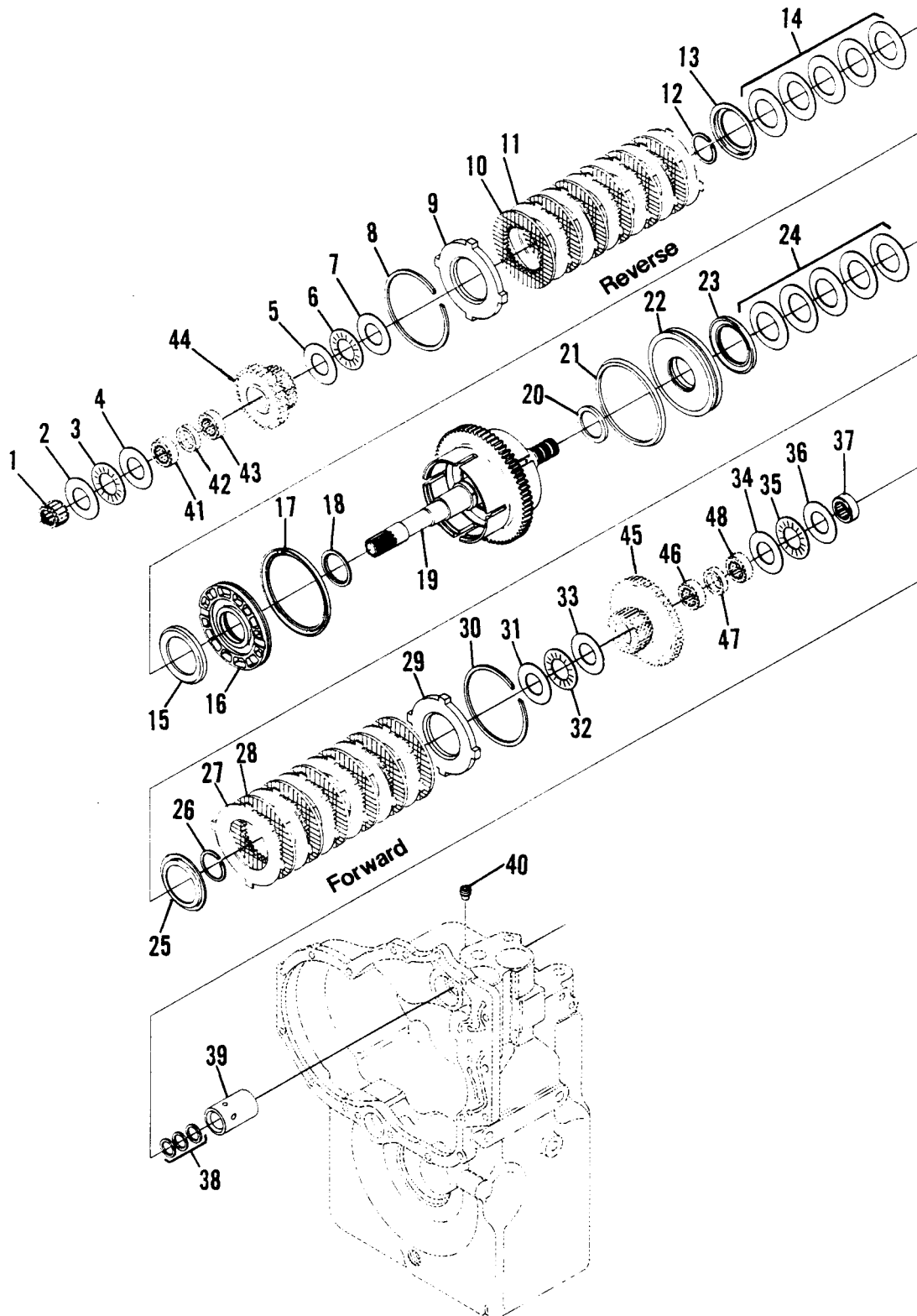
*Reverse Idler Group*



***Reverse Idler Group***

<b>Ref. No.</b>	<b>Part No.</b>	<b>Description</b>	<b>Qty. Req.</b>	<b>Ref. No.</b>	<b>Part No.</b>	<b>Description</b>	<b>Qty. Req.</b>
01	L98228	Idler Shaft Snap Ring.....	1	06	L99032	End Plate Capscrew Washer.....	1
02	L98229	Idler & Pilot Shaft.....	1	07	L99031	Rev. Idler End Plate Capscrew....	1
03	L98230	Thrust Washer.....	1	08	L98233	End Plate to Shaft Roll Pin.....	1
04	L98231	Reverse Idler Gear Bearing.....	1	09	L98955	Reverse Idler Gear.....	1
05	L98232	End Plate.....	1				

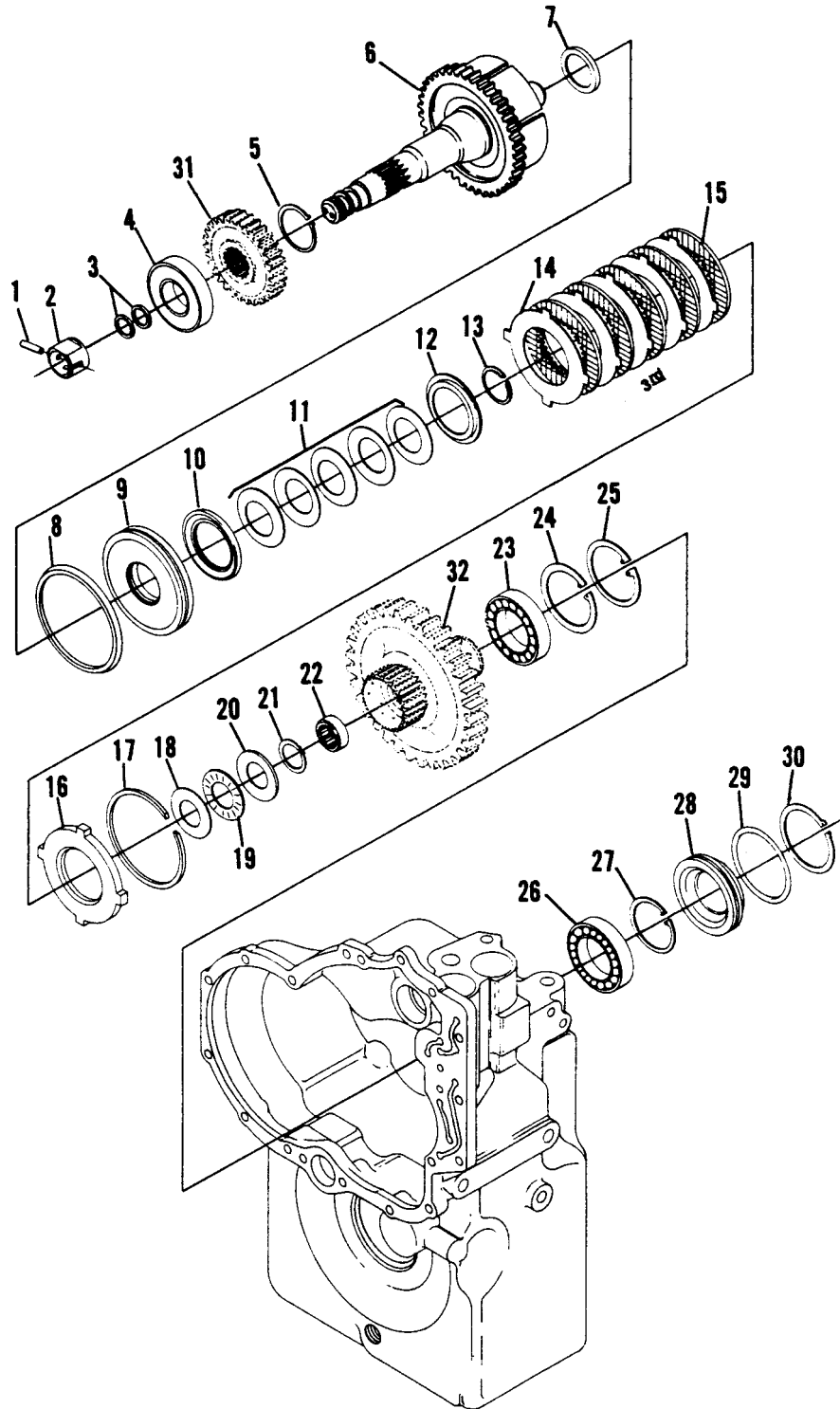
### Forward & Reverse Shaft Group



***Forward & Reverse Shaft Group***

Ref. No.	Part No.	Description	Qty. Req.	Ref. No.	Part No.	Description	Qty. Req.
01		Turbine Shaft Front Bearing (See Converter Group)		25	L98242	Snap Ring Retainer . . . . .	1
02	L98235	Clutch Gear Thrust Washer . . . . .	1	26	L98241	Retainer Snap Ring . . . . .	1
03	L98236	Clutch Gear Thrust Washer Brg. . . . .	1	27	L98240	Outer Disc - Forward Clutch . . . . .	6
04	L98235	Clutch Gear Thrust Washer . . . . .	1	28	L98239	Inner Disc - Forward Clutch . . . . .	6
05	L98235	Clutch Gear Thrust Washer . . . . .	1	29	L98238	End Plate . . . . .	1
06	L98236	Clutch Gear Thrust Washer Brg. . . . .	1	30	L98237	End Plate Snap Ring . . . . .	1
07	L98235	Clutch Gear Thrust Washer . . . . .	1	31	L98235	Clutch Gear Thrust Washer . . . . .	1
08	L98237	End Plate Snap Ring . . . . .	1	32	L98236	Clutch Gear Thrust Washer Brg. . . . .	1
09	L98238	End Plate . . . . .	1	33	L98235	Clutch Gear Thrust Washer . . . . .	1
10	L98239	Inner Disc-Reverse Clutch . . . . .	6	34	L98235	Clutch Gear Thrust Washer . . . . .	1
11	L98240	Outer Disc-Reverse Clutch . . . . .	6	35	L98236	Clutch Gear Thrust Washer Brg. . . . .	1
12	L98241	Retainer Snap Ring . . . . .	1	36	L98235	Clutch Gear Thrust Washer . . . . .	1
13	L98242	Snap Ring Retainer . . . . .	1	37	L98249	Thrbine Shaft Rear Bearing . . . . .	1
14	L98243	Disc Washer (Spring) Asy. . . . .	5	38	L98250	Piston Ring . . . . .	3
15	L98244	Clutch Piston Wear Plate . . . . .	1	39	L98251	Oil Distributor Sleeve . . . . .	1
16	L99278	Clutch Piston Asy. . . . . (Incl. Items 17,18)	1	40	L98252	Retainer Screw . . . . .	1
17	L98246	Clutch Piston Seal - Outer . . . . .	1	41	L98253	Bearing . . . . .	1
18	L98247	Clutch Piston Seal - Inner. . . . .	1	42	L98254	Spacer . . . . .	1
19	L98291	Turbine Shaft Drum & Plug Asy. . . . .	1	43	L98253	Bearing . . . . .	1
20	L98247	Clutch Piston Seal - Inner. . . . .	1	44	L98962	Rev. Clutch Gear & Brg. Asy. . . . . (Incl. Items 41 thru 43)	1
21	L98246	Clutch Piston Seal - Outer . . . . .	1	45	L98255	Fwd. Clutch Gear & Brg. Asy. . . . . (Incl. Items 46 thru 48)	1
22	L99278	Clutch Piston Asy. . . . . (Incl. Items 20,21)	1	46	L98253	Bearing . . . . .	1
23	L98244	Clutch Piston Wear Plate . . . . .	1	47	L98254	Spacer . . . . .	1
24	L98243	Disc Washer (Spring) Asy. . . . .	5	48	L98253	Bearing . . . . .	1

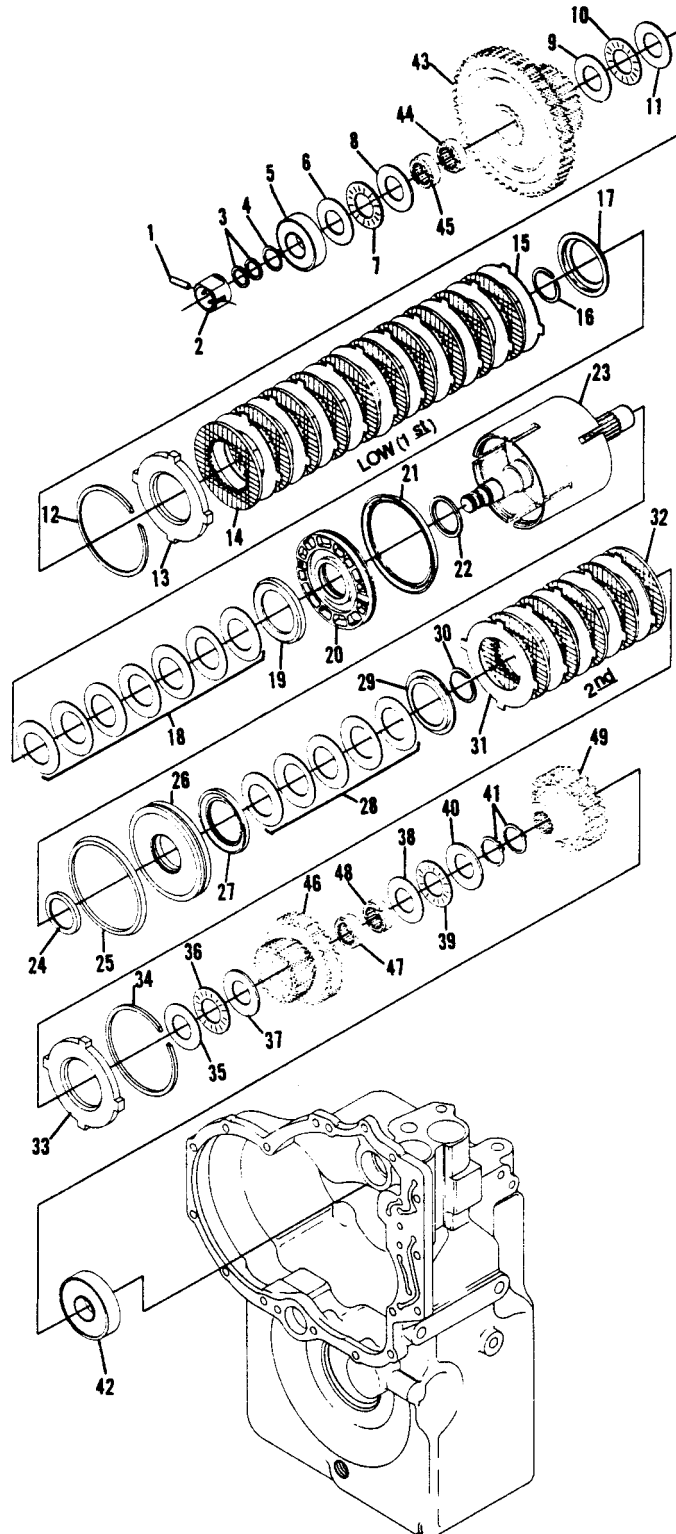
### 3rd & Output Shaft Group



***3rd & Output Shaft Group***

<b>Ref. No.</b>	<b>Part No.</b>	<b>Description</b>	<b>Qty. Req.</b>	<b>Ref. No.</b>	<b>Part No.</b>	<b>Description</b>	<b>Qty. Req.</b>
01	L98257	Sleeve Locating Screw . . . . .	1	17	L98237	End Plate Snap Ring . . . . .	1
02	L98258	Oil Distributor Sleeve . . . . .	1	18	L98235	Clutch Gear Thrust Washer . . . . .	1
03	L98250	Piston Ring . . . . .	2	19	L98236	Clutch Gear Thrust Washer Brg. . . . .	1
04	L98964	Bearing & Seal Asy. . . . .	1	20	L98235	Clutch Gear Thrust Washer . . . . .	1
05	L98260	Gear Hub Snap Ring . . . . .	1	21	L98271	Thrust Washer Ret. Snap Ring . . . . .	1
06	L98261	3rd Shaft, Drum, & Plug Asy. . . . .	1	22	L98263	3rd Clutch Gear Bearing. . . . .	1
07	L98247	Clutch Piston Inner Seal . . . . .	1	23	L99039	Rear Bearing . . . . .	1
08	L98246	Clutch Piston Outer Seal . . . . .	1	24	L98264	Rear Bearing Ret. Snap Ring . . . . .	1
09	L99279	Clutch Piston & Ball Seat Asy. . . . .	1	25	L98264	Output Shaft Brg. Snap Ring . . . . .	1
10	L98244	Clutch Piston Wear Plate . . . . .	1	26	L98282	Output Shaft Bearing . . . . .	1
11	L98243	Disc Washer Spring Asy. . . . .	5	27	L98266	Output Shaft Brg. Ret. Snap Ring. . . . .	1
12	L98242	Snap Ring Retainer . . . . .	1	28	L99280	Plug - Capped End. . . . .	1
13	L98241	Retainer Snap Ring . . . . .	1	29	L98268	Oil Seal Sleeve "0" Ring. . . . .	1
14	L98240	Outer Disc - 3rd Clutch. . . . .	5	30	L98264	Output Shaft Brg. Snap Ring . . . . .	1
15	L98239	Inner disc - 3rd Clutch . . . . .	5	31	L98965	1st Drive Gear . . . . .	1
16	L98238	End Plate. . . . .	1	32	L98270	3rd Gear & Shaft . . . . .	1

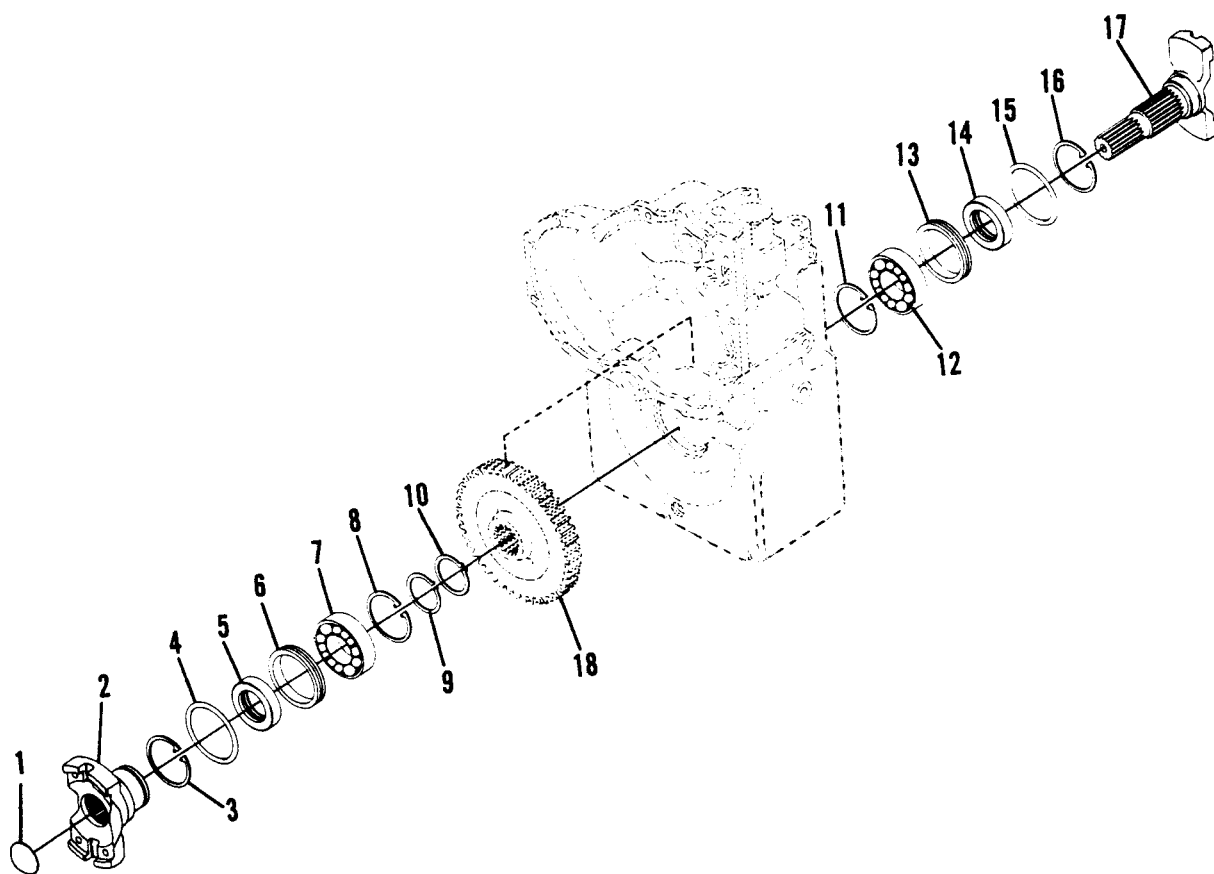
### 1st & 2nd Shaft Group



**1st & 2nd Shaft Group**

Ref. No.	Part No.	Description	Qty. Req.	Ref. No.	Part No.	Description	Qty. Req.
01	L98257	Sleeve Locating Screw . . . . .	1			& Seals Asy. (Incl. Items 24,25) . . . . .	1
02	L98272	Oil Distributor Sleeve . . . . .	1	27	L98244	Clutch Piston Wear Plate . . . . .	1
03	L98250	Piston Ring . . . . .	2	28	L98243	2nd Clutch Disc Spring Asy. . . . .	5
04		(Not Used)		29	L98242	Snap Ring Retainer . . . . .	1
05	L98964	Bearing & Seal Asy. . . . .	1	30	L98241	Retainer Snap Ring . . . . .	1
06	L98235	Clutch Gear Thrust Washer . . . . .	1	31	L98240	Outer Disc - 2nd Clutch . . . . .	5
07	L98236	Clutch Gear Thrust Washer Brg. . . . .	1	32	L98239	Inner Disc - 2nd Clutch. . . . .	5
08	L98235	Clutch Gear Thrust Washer . . . . .	1	33	L98238	End Plate . . . . .	1
09	L98235	Clutch Gear Thrust Washer . . . . .	1	34	L98237	End Plate Snap Ring . . . . .	1
10	L98236	Clutch Gear Thrust Washer Brg. . . . .	1	35	L98235	Clutch Gear Thrust Washer . . . . .	1
11	L98235	Clutch Gear Thrust Washer . . . . .	1	36	L98236	Clutch Gear Thrust Washer Brg. . . . .	1
12	L98237	End Plate Snap Ring . . . . .	1	37	L98235	Clutch Gear Thrust Washer . . . . .	1
13	L98238	End Plate . . . . .	1	38	L98235	Clutch Gear Thrust Washer . . . . .	1
14	L98239	Inner Disc - 1st Clutch . . . . .	10	39	L98236	Clutch Gear Thrust Washer Brg. . . . .	1
15	L98240	Outer Disc - 1st Clutch . . . . .	10	40	L98235	Clutch Gear Thrust Washer . . . . .	1
16	L98241	Retainer Snap Ring . . . . .	1	41	L98260	2nd Clutch Gear Hub Snap Ring . . . . .	2
17	L98242	Snap Ring Retainer . . . . .	1	42	L98275	Rear Bearing . . . . .	1
18	L98243	1st Clutch Disc Spring Asy. . . . .	7	43	L98968	1st Clutch Gear & Brg. Asy. . . . .	1
19	L98244	Clutch Piston Wear plate . . . . .	1			(Incl. Items 44,45)	
20	L99281	Clutch Piston		44	L98253	Bearing . . . . .	1
		& Seals Asy. (Incl. Items 21,22) . . . . .	1	45	L98253	Bearing . . . . .	1
21	L98246	Clutch Piston Seal - Outer . . . . .	1	46	L98276	2nd Clutch Gear & Brg. Assy. . . . .	1
22	L98247	Clutch Piston Seal - Inner. . . . .	1			(Incl. Items 47,48)	
23	L98274	1st & 2nd Shaft, Drum & Plug Asy. . . . .	1	47	L98253	Bearing . . . . .	1
24	L98247	Clutch Piston Seal - Inner. . . . .	1	48	L98253	Bearing . . . . .	1
25	L98246	Clutch Piston Seal - Outer . . . . .	1	49	L98277	3rd Driven Gear . . . . .	1
26	L99281	Clutch Piston					

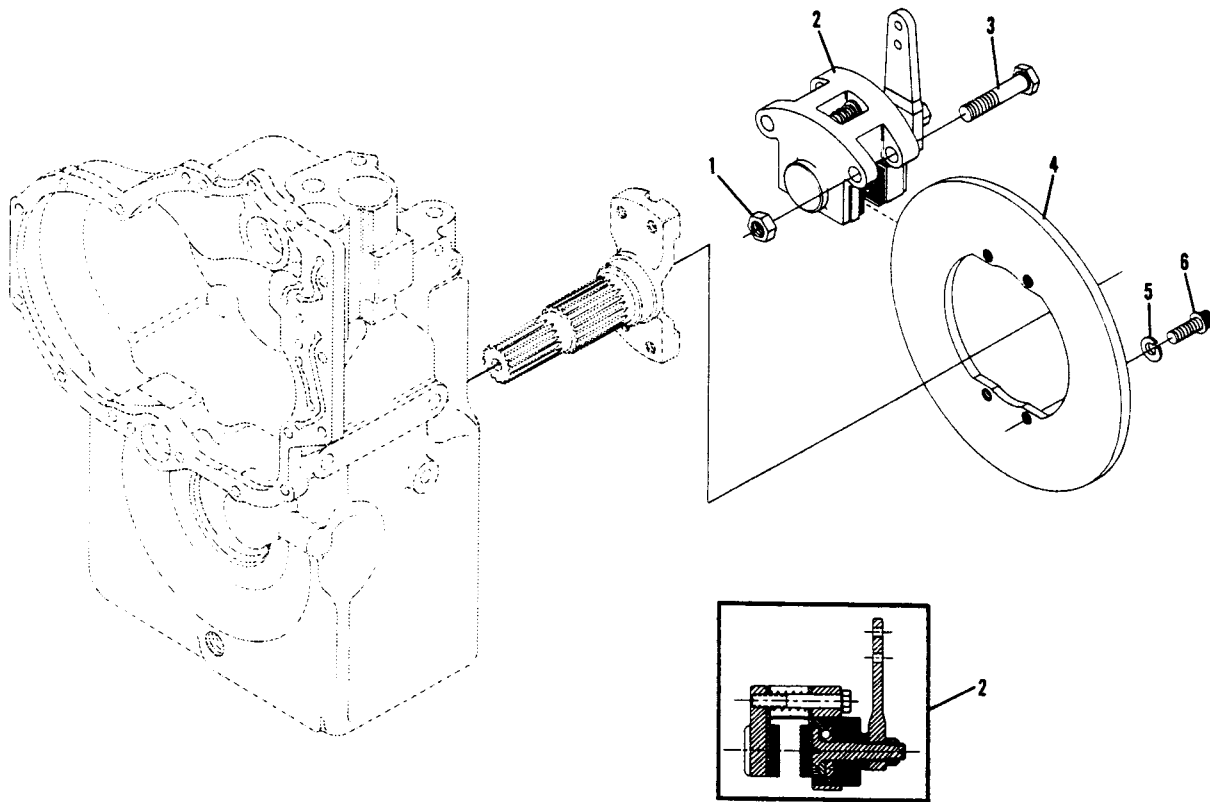
*Output Shaft Group*



***Output Shaft Group***

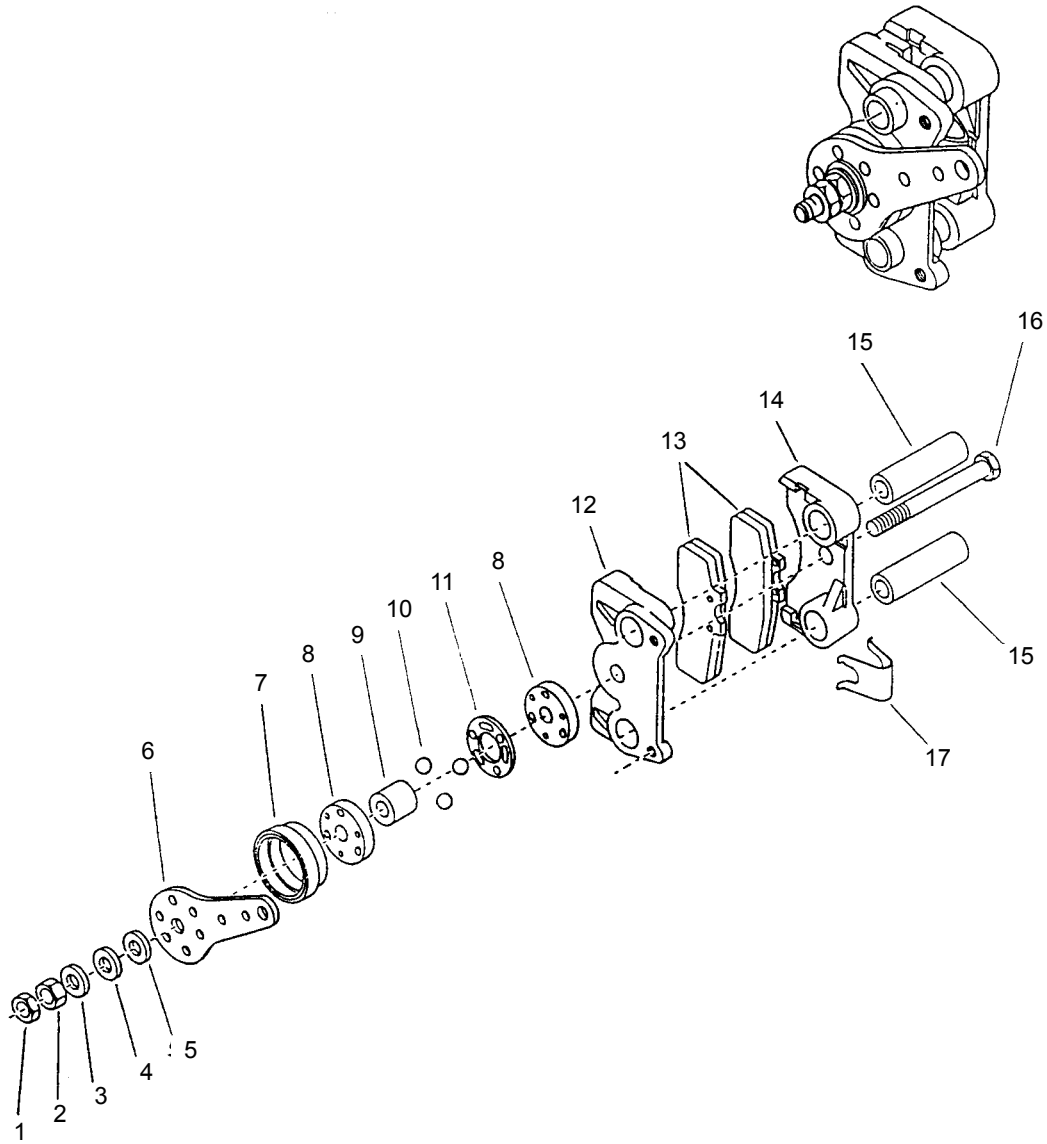
<b>Ref. No.</b>	<b>Part No.</b>	<b>Description</b>	<b>Qty. Req.</b>	<b>Ref. No.</b>	<b>Part No.</b>	<b>Description</b>	<b>Qty. Req.</b>
01	L98278	Flange Plug . . . . .	1	10	L98266	Gear Retaining Ring . . . . .	1
02	L98279	Output Flange & Plug Asy. . . . . (Inc. Item 1)	1	11	L98264	Output Shaft Brg. "O"Ring . . . . .	1
03	L98264	Output Shaft Brg. Snap Ring . . . . .	1	12	L98282	Output Shaft Bearing . . . . .	1
04	L98268	Oil Seal Sleeve "O"Ring . . . . .	1	13	L98281	Oil Seal Sleeve . . . . .	1
05	L96053	Output Shaft Oil Seal . . . . .	1	14	L96053	Output Shaft Oil Seal . . . . .	1
06	L98281	Oil Seal Sleeve . . . . .	1	15	L98268	Output Shaft Sleeve "O"Ring . . . . .	1
07	L98282	Output Shaft Bearing . . . . .	1	16	L98264	Output Shaft Brg. "O"Ring . . . . .	1
08	L98264	Output Shaft Brg. Snap Ring . . . . .	1	17	L98283	Output Shaft & Brake Flange (SC) . . . . .	1
09	L98266	Flange Retaining Ring . . . . .	1	18	L98284	Output Shaft Gear . . . . .	1

**Disc Brake Group**



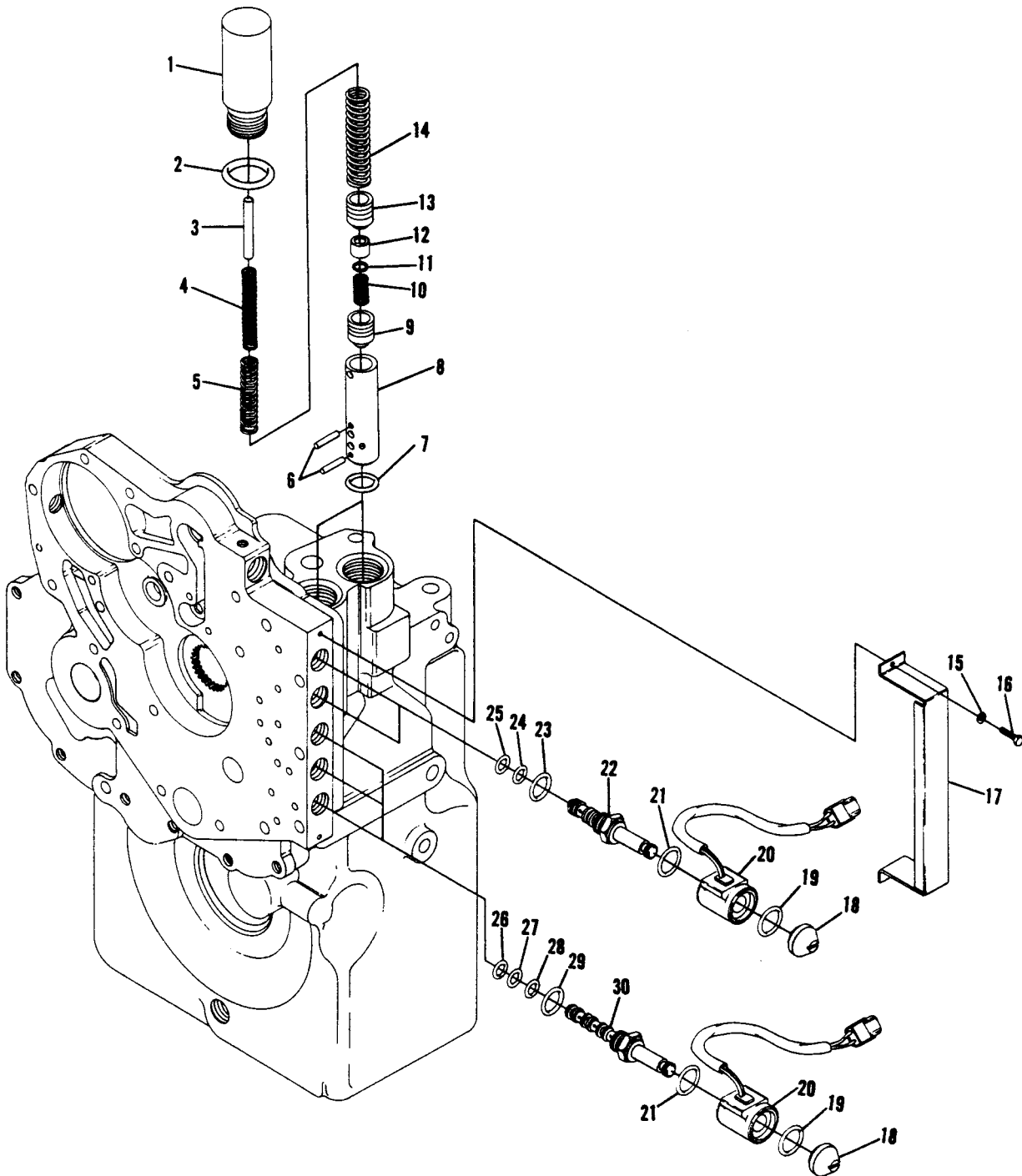
Ref. No.	Part No.	Description	Qty. Req.	Ref. No.	Part No.	Description	Qty. Req.
01	L99040	Caliper Asy. Capscrew Lock Nut . . .	2	04	L98287	Brake Disc . . . . .	1
02	L99297	Caliper Brake Asy. (See Parts List) .	1	05	L99282	Brake Disc Capscrew Lockwasher .	4
03	L99298	Caliper Assy. Mtg. Capscrew . . . . .	2	06	L99043	Brake Disc Capscrew . . . . .	4

### Brake Caliper Assembly



Ref. No.	Part No.	Description	Qty. Req.	Ref. No.	Part No.	Description	Qty. Req.
01	L99299	Jam Adjust. Nut . . . . .	1	13	NSS	Carrier & Lining Asy (See Item 19 or 20)	
02	L99300	Adjusting Nut . . . . .	1	14	NSS	Torque Plate Rear (Part of Item 18)	
03	L99301	Hardened Washer . . . . .	1	15	L99307	Mounting Sleeve . . . . .	2
04	L99302	Stainless Steel Washer . . . . .	1	16	L99308	Adjusting Bolt . . . . .	1
05	NSS	Thrust Washer (See Item 20)		17	NSS	Spring (See Item 19 or 20) (Incl. Items 1 thru 14)	
06	L99303	Lever . . . . .	1	18	L99297	Brake Asy. (Incl. Items 1-17) . . . . .	1
07	NSS	Boot (See Item 20)		19	L99309	Lining Kit (Incl. Items 13,17) . . . . .	1
08	L99304	Cam . . . . .	1	20	L99310	Hdwr. Parts Kit . . . . .	1
09	NSS	Id. Seal (See Item 20)				(Incl. Items 5,7,9 & 19)	
10	L99305	Ball . . . . .	3				
11	L99306	Plastic Retainer . . . . .	1				
12	NSS	Torque Plate Front (Part of Item 18)					

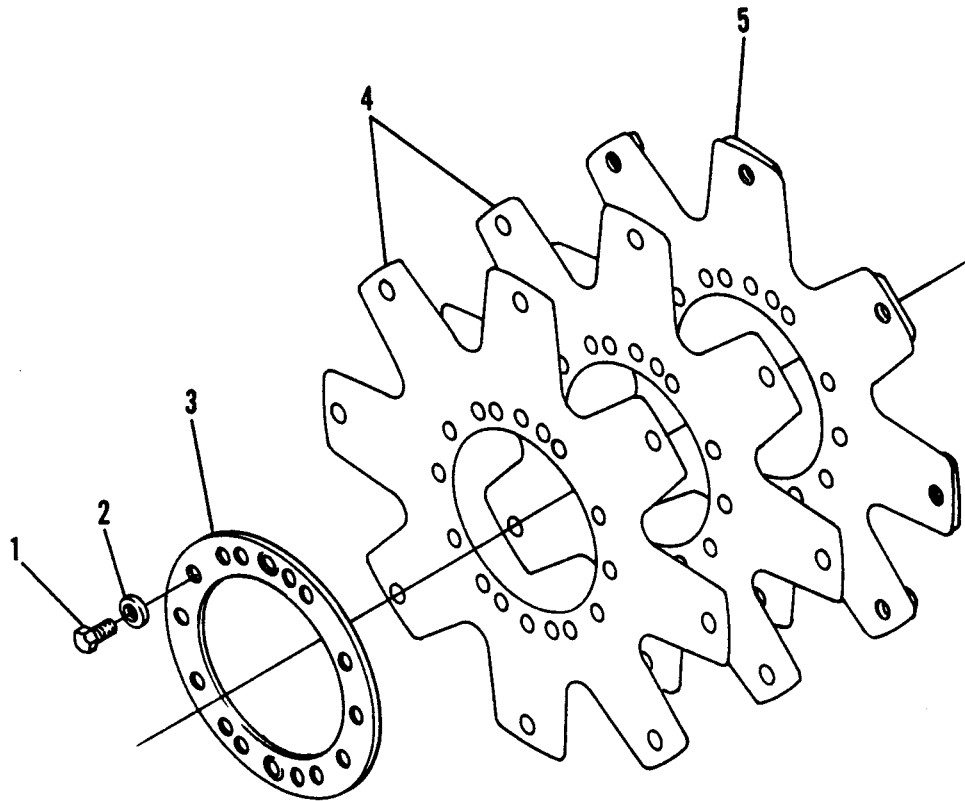
**Electric Control w/Modulation Group**



***Electric Control w/Modulation Group***

<b>Ref. No.</b>	<b>Part No.</b>	<b>Description</b>	<b>Qty. Req.</b>	<b>Ref. No.</b>	<b>Part No.</b>	<b>Description</b>	<b>Qty. Req.</b>
01	L98291	Modulator Valve Housing . . . . .	1	19	L98307	Nut to Coil "O,Ring. . . . .	4
02	L98292	Modulator Housing "0" Ring . . . . .	1	20	L98308	Solenoid Coil - 12 Volt . . . . .	4
03	L98293	Stop Pin . . . . .	1	21	L98307	Coil to Cartridge "O"Ring . . . . .	4
04	L98294	Spring - Inner . . . . .	1	22		<i>(Not Used - See Item 30)</i>	
05	L98295	Spring - Middle . . . . .	1	23		<i>(Not Used - See Item 29)</i>	
06	L98956	Upper Pin. . . . .	2	24		<i>(Not Used - See Item 28)</i>	
6A	L98957	Lower Pin. . . . .	2	25		<i>(Not Used - See Item 27)</i>	
07	L98297	Sleeve "O"Ring . . . . .	1	26	L98313	Cartridge "O"Ring. . . . .	3
08	L98298	Modulation Housing Sleeve . . . . .	1	27	L98312	Cartridge "O"Ring. . . . .	2
09	L98958	Regulator Spool . . . . .	1	28	L98311	Cartridge "O"Ring. . . . .	3
10	L98300	Spring . . . . .	1	29	L98310	Cartridge "O"Ring. . . . .	3
11	L98301	Spring Spacer. . . . .	1	30	L98314	Valve Cartridge, 4 Way. . . . .	2
12	L98302	Spring Retainer . . . . .	1			Used at 1st & 2nd - 3rd (Incl. Items 26-29)	
13	L98303	Accumulator Spool . . . . .	1				
14	L98304	Spring - Outer . . . . .	1	30A	L98315	Solenoid Bore Plug . . . . .	1
15	L99034	Cover Screw Lockwasher. . . . .	2			Used at Fwd.-Hi & Low (Incl. (1) of Itmes 26,28,29)	
16	L99035	Cover Screw . . . . .	2				
17	L98305	Protective Cover. . . . .	1	31	L98960	Spool Type Sol. Cartridge Asy (Incl. Item 18 thru 21[4 ea.] , 30) . . .	4
18	L99036	Valve Cartridge Retainer Nut . . . . .	4				

**Drive Plate Group**



Ref. No.	Part No.	Description	Qty. Req.	Ref. No.	Part No.	Description	Qty. Req.
01	L99312	Drive Plate Mounting Screw . . . . .	6	04	NSS	Drive Plate - (Incl. In Item #5)	
02	L99030	Drive Plate Mounting Screw Lockwasher . . . . .	6	05	L98317	Drive Plate Asy. Kit (Incl. Items 1 thru 4) . . . . .	1
03	L97516	Drive Plate Backing Ring . . . . .	1				

***Numerical Index***

<b>Part No.</b>	<b>Page No.</b>	<b>Ref. No.</b>	<b>Part No.</b>	<b>Page No.</b>	<b>Ref. No.</b>	<b>Part No.</b>	<b>Page No.</b>	<b>Ref. No.</b>	<b>Part No.</b>	<b>Page No.</b>	<b>Ref. No.</b>
L94824	11-7	15	L98235	11-15	36	L98246	11-17	08	L98268	11-17	29
L96053	11-21	14	L98235	11-19	06	L98246	11-19	21	L98270	11-17	32
L96053	11-21	05	L98235	11-19	09	L98246	11-19	25	L98271	11-17	21
L97516	11-26	03	L98235	11-19	08	L98247	11-17	07	L98272	11-19	02
L98176	11-7	25	L98236	11-19	10	L98247	11-15	18	L98274	11-19	23
L98184	11-7	21	L98236	11-19	07	L98247	11-15	20	L98275	11-19	42
L98185	11-7	22	L98236	11-15	06	L98247	11-19	22	L98276	11-19	46
L98188	11-8	01	L98236	11-15	32	L98247	11-19	24	L98276	11-3	46
L98189	11-8	02	L98236	11-19	36	L98249	11-15	37	L98277	11-19	49
L98190	11-8	03	L98236	11-19	39	L98250	11-19	03	L98277	11-3	49
L98191	11-8	04	L98236	11-15	35	L98250	11-17	03	L98278	11-21	01
L98191	11-8	06	L98236	11-17	19	L98250	11-15	38	L98279	11-21	02
L98194	11-8	07	L98236	11-15	03	L98251	11-15	39	L98280	11-17	28
L98195	11-8	08	L98237	11-19	12	L98252	11-15	40	L98281	11-21	06
L98195	11-8	10	L98237	11-19	34	L98253	11-3	45	L98281	11-21	13
L98196	11-8	09	L98237	11-17	17	L98253	11-3	44	L98282	11-17	26
L98197	11-8	20	L98237	11-15	30	L98253	11-3	47	L98282	11-21	12
L98198	11-8	11	L98237	11-15	08	L98253	11-3	48	L98282	11-21	07
L98199	11-8	12	L98238	11-19	33	L98253	11-15	41	L98283	11-21	17
L98200	11-8	13	L98238	11-15	29	L98253	11-3	48	L98284	11-21	18
L98201	11-8	14	L98238	11-17	16	L98253	11-15	46	L98284	11-3	18
L98202	11-8	15	L98238	11-19	13	L98253	11-3	46	L98287	11-22	04
L98203	11-8	16	L98238	11-15	09	L98253	11-15	43	L98291	11-15	19
L98204	11-8	17	L98239	11-19	14	L98253	11-15	48	L98291	11-25	01
L98205	11-8	18	L98239	11-15	28	L98253	11-3	43	L98292	11-25	02
L98206	11-8	19	L98239	11-15	10	L98253	11-19	47	L98293	11-25	03
L98211	11-9	07	L98239	11-19	32	L98253	11-3	41	L98294	11-25	04
L98212	11-9	06	L98239	11-17	15	L98253	11-19	48	L98295	11-25	05
L98214	11-11	03	L98240	11-19	15	L98253	11-19	44	L98297	11-25	07
L98215	11-11	04	L98240	11-17	14	L98253	11-19	45	L98298	11-25	08
L98216	11-11	05	L98240	11-15	11	L98254	11-15	42	L98300	11-25	10
L98217	11-7	35	L98240	11-15	27	L98254	11-15	47	L98301	11-25	11
L98218	11-7	36	L98240	11-19	31	L98254	11-3	47	L98302	11-25	12
L98219	11-11	06	L98241	11-15	12	L98254	11-3	42	L98303	11-25	13
L98220	11-11	07	L98241	11-15	26	L98255	11-15	45	L98304	11-25	14
L98228	11-13	01	L98241	11-19	30	L98255	11-3	45	L98305	11-25	17
L98229	11-13	02	L98241	11-19	16	L98257	11-17	01	L98307	11-25	21
L98230	11-13	03	L98241	11-17	13	L98257	11-19	01	L98307	11-25	19
L98231	11-13	04	L98242	11-15	13	L98258	11-17	02	L98308	11-25	20
L98232	11-13	05	L98242	11-15	25	L98260	11-17	05	L98310	11-25	29
L98233	11-13	08	L98242	11-19	17	L98260	11-19	41	L98311	11-25	28
L98235	11-19	40	L98242	11-19	29	L98261	11-17	06	L98312	11-25	27
L98235	11-15	34	L98242	11-17	12	L98263	11-17	22	L98313	11-25	26
L98235	11-19	38	L98243	11-15	14	L98264	11-21	16	L98314	11-25	30
L98235	11-15	04	L98243	11-17	11	L98264	11-17	24	L98315	11-25	30A
L98235	11-19	35	L98243	11-15	24	L98264	11-17	30	L98317	11-26	05
L98235	11-15	05	L98243	11-19	28	L98264	11-21	03	L98734	11-7	40
L98235	11-19	37	L98243	11-19	18	L98264	11-17	25	L98735	11-7	41
L98235	11-15	33	L98244	11-19	27	L98264	11-21	11	L98926	11-7	06
L98235	11-15	31	L98244	11-19	19	L98264	11-21	08	L98927	11-7	07
L98235	11-15	02	L98244	11-15	15	L98266	11-21	10	L98927	11-7	28
L98235	11-15	07	L98244	11-15	23	L98266	11-17	27	L98931	11-7	29
L98235	11-17	18	L98244	11-17	10	L98266	11-21	09	L98932	11-7	30
L98235	11-17	20	L98246	11-15	17	L98268	11-21	04	L98935	11-7	37
L98235	11-19	11	L98246	11-15	21	L98268	11-21	15	L98938	11-5	04

***Numerical Index***

<b>Part No.</b>	<b>Page No.</b>	<b>Ref. No.</b>	<b>Part No.</b>	<b>Page No.</b>	<b>Ref. No.</b>	<b>Part No.</b>	<b>Page No.</b>	<b>Ref. No.</b>
L98942	11-9	01	L99184	11-11	14	L99308	11-23	16
L98942	11-9	05	L99246	11-7	11	L99309	11-23	19
L98943	11-9	02	L99246	11-7	04	L99310	11-23	20
L98944	11-9	03	L99246	11-5	03	L99312	11-7	02
L98945	11-9	04	L99249	11-5	02B	L99312	11-26	01
L98947	11-9	08	L99251	11-7	20	L99312	11-7	13
L98948	11-11	01	L99253	11-7	26	L99313	11-8	05
L98949	11-11	02	L99260	11-5	08	LS9284	11-7	11B
L98950	11-11	15	L99261	11-5	13			
L98951	11-11	16	L99262	11-5	15			
L98952	11-11	17	L99270	11-7	27			
L98953	11-11	18	L99270	11-3	32			
L98954	11-11	19	L99274	11-7	09			
L98955	11-3	09	L99277	11-11	12			
L98955	11-13	09	L99278	11-15	22			
L98956	11-25	06	L99278	11-15	16			
L98957	11-25	06A	L99279	11-17	09			
L98958	11-25	09	L99281	11-19	26			
L98960	11-25	31	L99281	11-19	20			
L98962	11-3	44	L99282	11-22	05			
L98962	11-15	44	L99283	11-5	01			
L98964	11-17	04	L99283	11-7	11A			
L98964	11-19	05	L99283	11-5	02			
L98965	11-17	31	L99283	11-5	06			
L98965	11-3	31	L99283	11-7	16			
L98968	11-19	43	L99284	11-5	02A			
L98968	11-3	43	L99284	11-5	06A			
L99012	11-7	18	L99284	11-5	01A			
L99013	11-7	19	L99284	11-7	16A			
L99018	11-7	38	L99285	11-5	12			
L99018	11-7	32	L99286	11-5	05			
L99020	11-11	08	L99287	11-7	01			
L99020	11-11	11	L99287	11-7	12			
L99023	11-11	09	L99287	11-7	42			
L99025	11-11	10	L99288	11-7	02A			
L99025	11-5	11	L99288	11-7	13A			
L99029	11-7	43	L99289	11-7	03			
L99029	11-7	39	L99290	11-7	05			
L99029	11-5	07	L99291	11-7	08			
L99029	11-11	13	L99293	11-7	23			
L99029	11-7	33	L99294	11-7	25A			
L99029	11-5	09	L99295	11-7	24B			
L99029	11-7	31	L99295	11-7	24			
L99029	11-5	14	L99297	11-22	02			
L99030	11-26	02	L99297	11-23	18			
L99031	11-13	07	L99298	11-22	03			
L99032	11-13	06	L99299	11-23	01			
L99034	11-25	15	L99300	11-23	02			
L99035	11-25	16	L99301	11-23	03			
L99036	11-25	18	L99302	11-23	04			
L99039	11-17	23	L99303	11-23	06			
L99040	11-22	01	L99304	11-23	08			
L99043	11-22	06	L99305	11-23	10			
L99045	11-7	34	L99306	11-23	11			
L99060	11-5	10	L99307	11-23	15			

**GEHL<sup>®</sup> CONSTRUCTION**

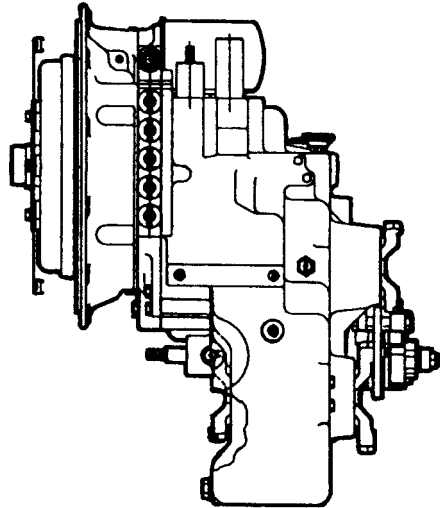
---

# **T12000**

## **Clark**

### **Transmission**

**Model No.**  
**1106-T12366-18**



# **SERVICE PARTS**



**Section Contents**

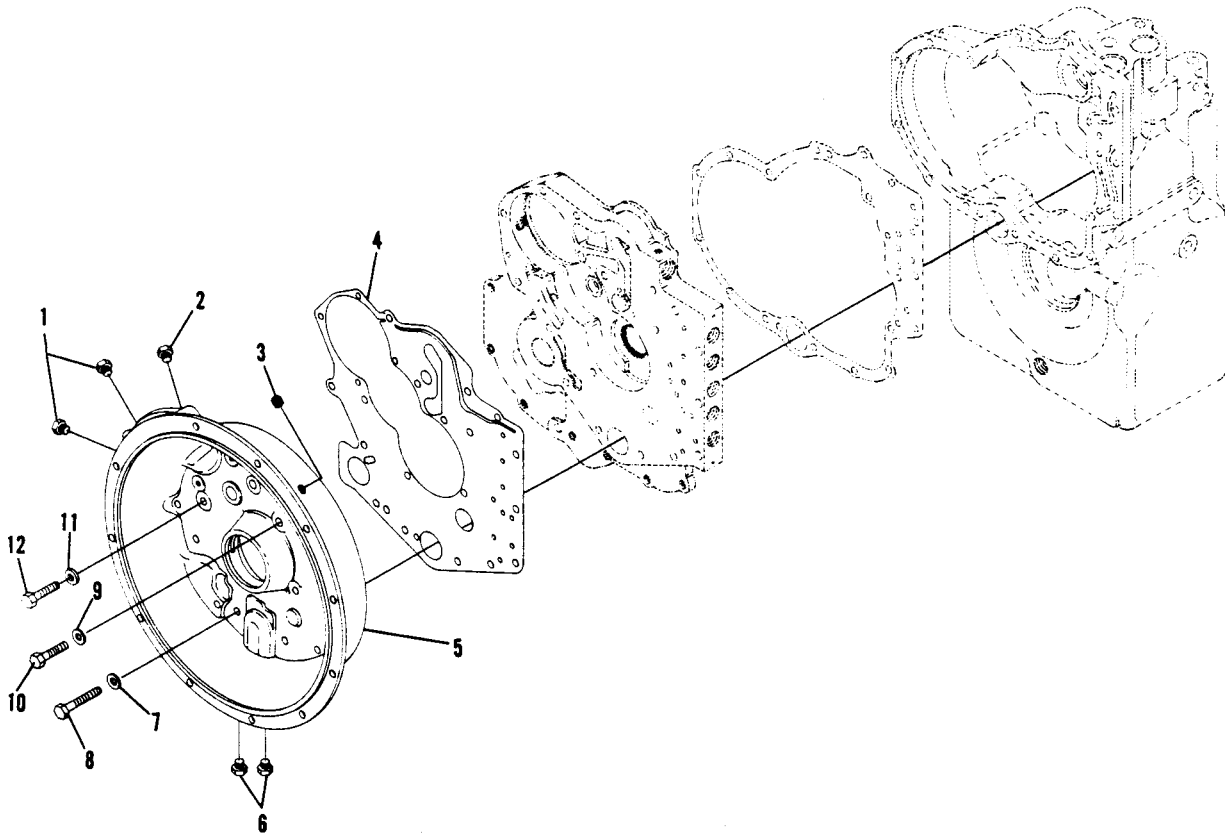
4261294 - Special Parts Group ..... **3**  
4224702 - Converter Housing Group ..... **4**  
4224729 - Case and Plate Group ..... **6**  
4224647 - Torque Converter Group ..... **8**  
267396 - Pump Drive Group ..... **9**  
4224064 - Charge Pump Group ..... **10**  
267079 - Reverse Idler Group ..... **12**  
4224984 - Forward/Reverse Shaft Group ..... **14**  
267185 - 3rd and Output Shaft Group ..... **16**  
267082 - 1st and 2nd Shaft Group ..... **18**  
4501128 - Output Shaft Group ..... **20**  
4501094 - Disc Brake Group ..... **22**  
4203421 - Brake Caliper Assembly ..... **23**  
4224059 - Electric Control With Modulation Group ..... **24**  
267086 - Drive Plate Group ..... **26**  
Numerical Index ..... **27**

**This Page Intentionally Blank**

***Special Parts Group***

<b>Ref. No.</b>	<b>Part No.</b>	<b>Description</b>	<b>Qty. Req.</b>	<b>Ref. No.</b>	<b>Part No.</b>	<b>Description</b>	<b>Qty. Req.</b>
<b>PAGE 12/13</b>				<b>PAGE 18/19</b>			
09	L98955	REV. IDLER GEAR (26T) . . . . .	1	43	L98968	1ST CLUTCH GEAR & BRG. ASY (Incl. Items 44,45) . . . . .	1
<b>PAGE 14/15</b>				44	L98253	BEARING. . . . .	1
41	L98253	REV. CLUTCH GEAR BRG. . . . .	1	45	L98253	BEARING. . . . .	1
42	L98254	REV. CLUTCH GEAR SPACER . . .	1	46	L98276	2ND CLUTCH GEAR & BRG. ASY (Incl. Items 47,48)	1
43	L98253	REV. CLUTCH GEAR BRG. . . . .	1	47	L98253	BEARING. . . . .	1
44	L98962	REV. CLUTCH GEAR. . . . .	1	48	L98253	BEARING. . . . .	1
		& BRG. ASY. (Incl. Items 41-43)		49	L98277	3RD DRIVEN GEAR (18T) . . . . .	1
45	L98255	FWD. CLUTCH GEAR . . . . .	1	<b>PAGE 20/21</b>			
		& BRG. ASY. (Incl. Items 46-48)		18	L98284	OUTPUT SHAFT GEAR (40T) . . . . .	1
46	L98253	FWD. CLUTCH GEAR BRG. . . . .	1				
47	L98254	FWD. CLUTCH GEAR SPACER. . .	1				
48	L98253	FWD. CLUTCH GEAR BRG. . . . .	1				
<b>PAGE 16/17</b>							
31	L98965	1ST DRIVE GEAR (29T) . . . . .	1				
32	L99270	3RD GEAR & OUTPUT SHAFT (46T). . . . .	1				

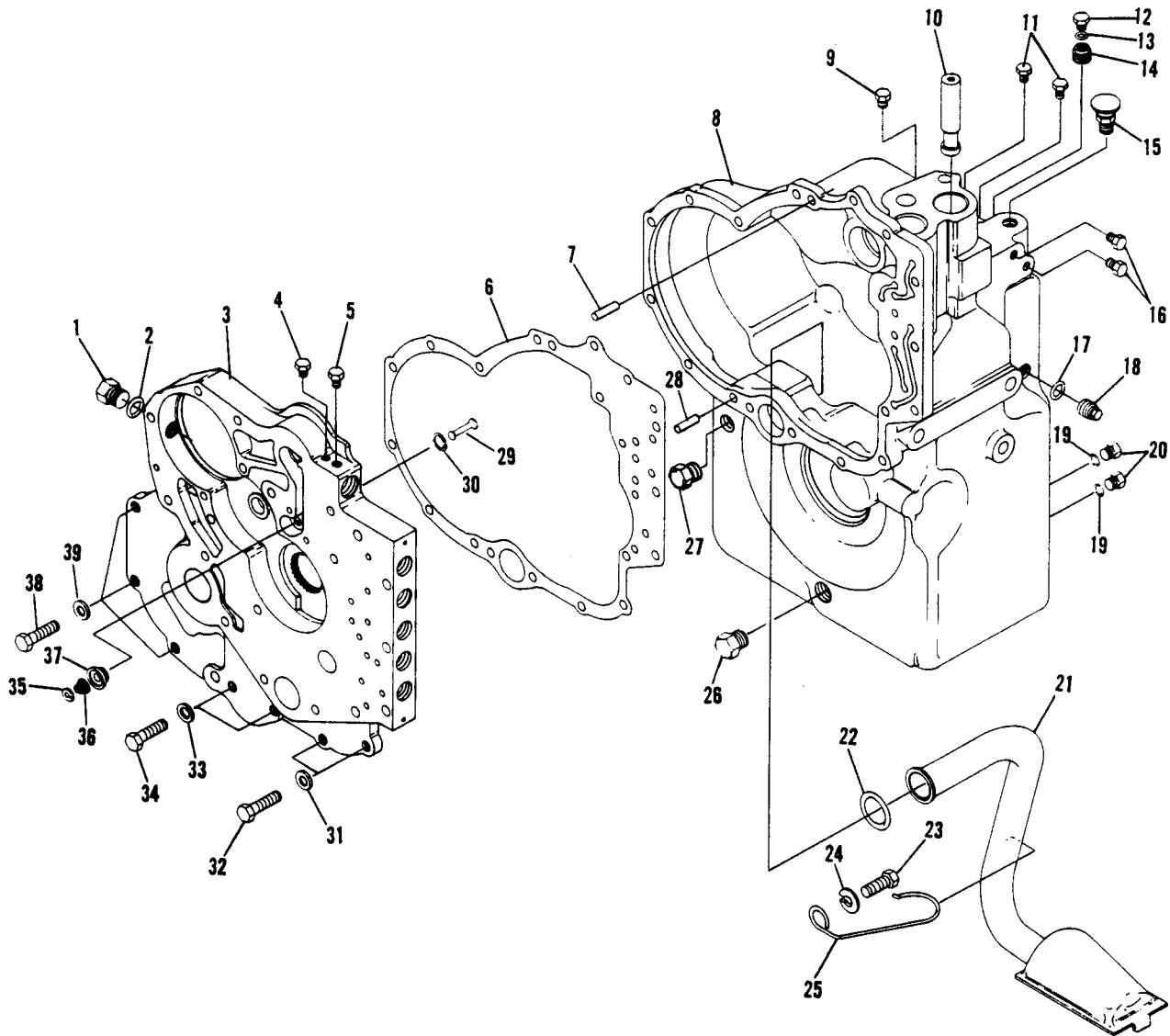
**Converter Housing Group**



***Converter Housing Group***

<b>Ref. No.</b>	<b>Part No.</b>	<b>Description</b>	<b>Qty. Req.</b>	<b>Ref. No.</b>	<b>Part No.</b>	<b>Description</b>	<b>Qty. Req.</b>
01	L99283	Plug (Hi & 3rd Port) . . . . .	2	08	L99260	Conv. Housing. to Trans.	
01A	L99284	Plug "O"Ring (N.I.) . . . . .	2			Case Screw . . . . .	13
02	L99283	Reg. Pressure Port Plug. . . . .	1	09	L99029	Conv. Housing. to Plate	
02A	L99284	Plug "O"Ring (N.I.) . . . . .	1			Screw Lockwasher . . . . .	3
02B	L99249	Plug . . . . .	1	10	L99060	Conv. Hsg. to Plate Screw . . . . .	3
03	L99246	Plug . . . . .	1	11	L99029	Conv. Hsg. to Plate . . . . .	6
04	L98938	Housing to Plate Gasket. . . . .	1			Screw Lockwasher	
05	L99286	Converter Housing . . . . .	1	12	L99285	Conv. Hsg. to Plate Screw . . . . .	6
06	L99283	Plug (1st & 2nd Port) . . . . .	2	13	L99261	Conv. Hsg. to Plate Screw (N.I.) . . . . .	1
06A	L99284	Plug "O"Ring (N.I.) . . . . .	2	14	L99029	Conv. Hsg. to Plate	
07	L99029	Conv. Hsg. to Trans. Case				Screw Lockwasher (N.I.) . . . . .	1
		Screw Lockwasher . . . . .	13	15	L99262	Check valve Bore Plug (N.I.) . . . . .	1

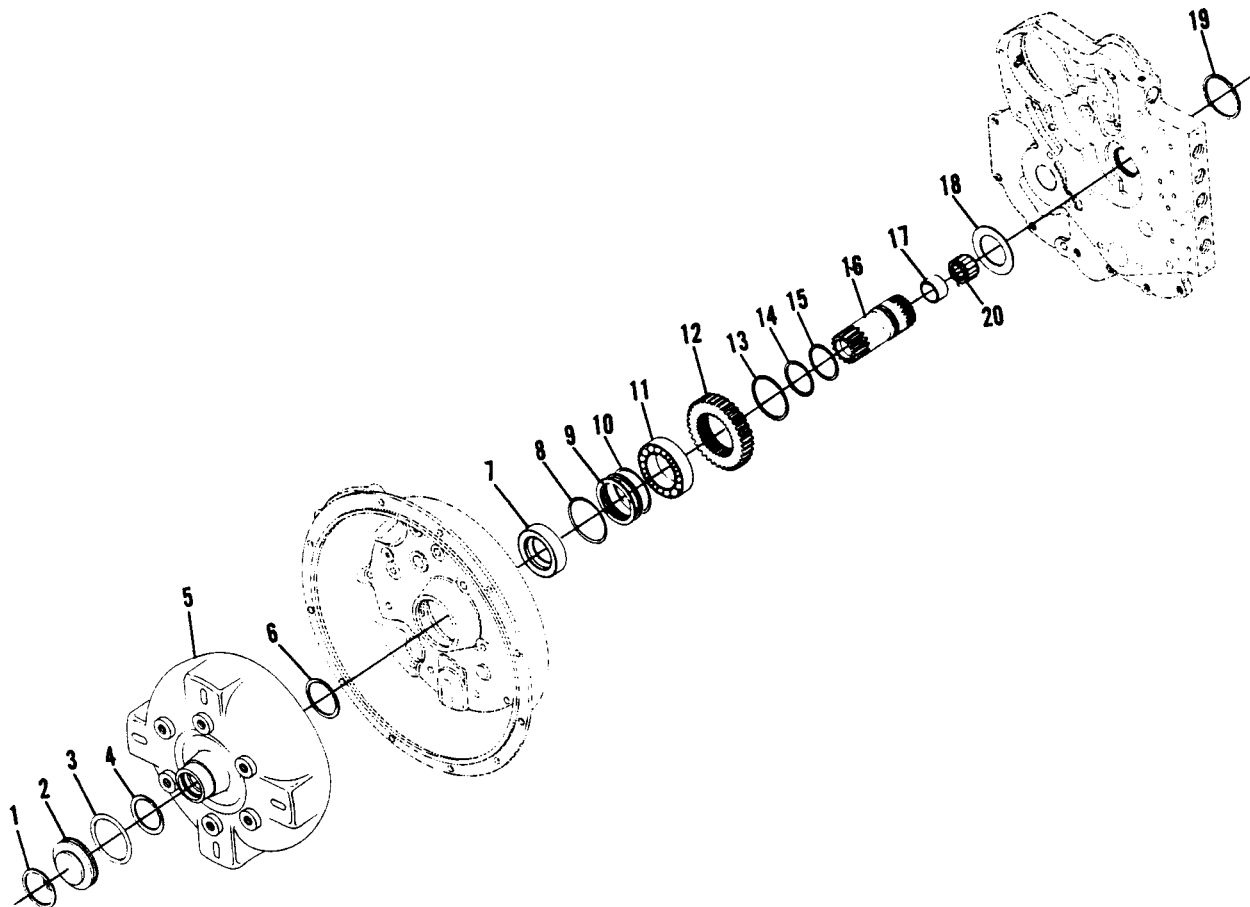
Case & Plate Group



**Case & Plate Group**

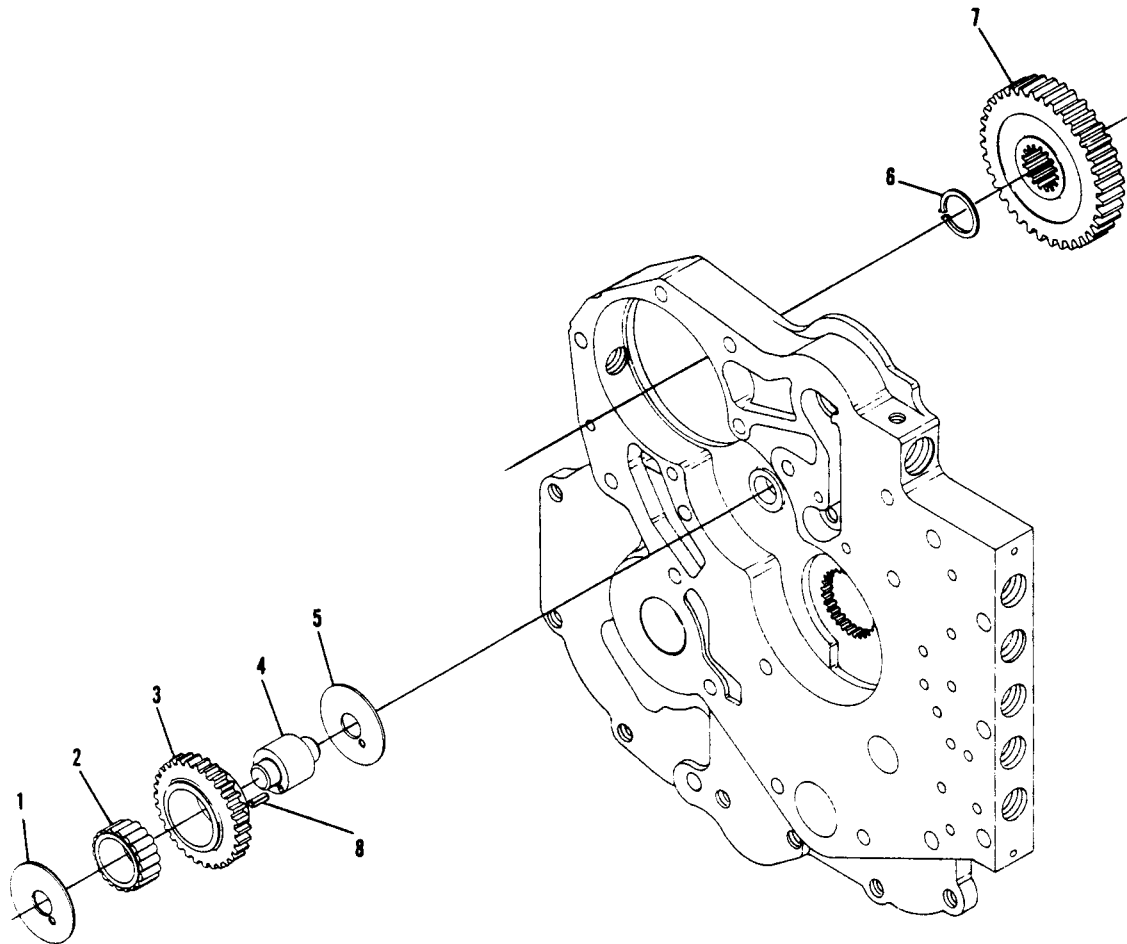
Ref. No.	Part No.	Description	Qty. Req.	Ref. No.	Part No.	Description	Qty. Req.
01	L99287	Sensor Port Plug . . . . .	1	24	L99295	Clip Screw Washer . . . . .	1
02	L99312	Sensor "O"Ring . . . . .	1	24A	L99294	Clip Screw Nut . . . . .	1
02A	L99288	Speed Sensor Screw (N.I.) . . . . .	1	24B	L99295	Clip Screw Nut (N.I.) . . . . .	1
03	L99289	Spacer Plate . . . . .	1	25	L98176	Oil Supply Tube Retainer Clip . . . . .	1
04	L99246	Inlet Pressure Port Plug . . . . .	1	26	L99253	Magnetic Drain Plug . . . . .	1
05	L99290	Outlet Temperture Port Plug . . . . .	1	27	L99270	Drain Back Port Plug . . . . .	1
06	L98926	Plate to Transmission Case Gasket . . . . .	1	28	L98927	Plate to Transmission Case Dowel Pin . . . . .	1
07	L98927	Plate to Transmission Case Dowel Pin . . . . .	1	29	L98931	Converter Safety Valve Poppet . . . . .	1
08	L500270	Transmission Case . . . . .	1	30	L98932	Seat Snap Ring . . . . .	1
09	L99274	Filler Plug . . . . .	1	31	L99029	Plate to Transmission Case Screw Lockwasher . . . . .	2
10		(Not Used)		32	L99018	Plate to Transmission Case Screw . . . . .	2
11	L99246	Pipe Plug . . . . .	2	33	L99029	Plate to Transmission Case Screw Lockwasher . . . . .	2
11A	L99283	Plug . . . . .	1	34	L99045	Plate to Transmission Case Screw . . . . .	3
11B	L99284	Plug "O"Ring . . . . .	1	35	L98217	Poppet Washer . . . . .	1
12	L99287	Speed Sensor Port Plug . . . . .	1	36	L98218	Safety Valve Spring . . . . .	1
13	L99312	Sensor "O" Ring . . . . .	1	37	L98935	Safety Valve Seat . . . . .	1
13A	L99288	Speed Sensor Screw (N.I.) . . . . .	1	38	L99018	Plate to Transm. Case Screw . . . . .	3
14		(Not Used)		39	L99029	Plate to Transsion Case Screw Lockwasher . . . . .	3
15	L94824	Air Breather . . . . .	1	40	L98734	Dipstick Port Plug (N.I.) . . . . .	1
16	L99283	Plug . . . . .	2	41	L98735	Dipstick Asy. (N.I.) . . . . .	1
16A	L99284	Plug "O"Ring (N.I.) . . . . .	2	42	L99287	Baffle Hole Screw (N.I.) . . . . .	1
17		(Not Used)		43	L99294	Baffle Hole Screw (N.I.) . . . . .	1
18	L99012	Sensor Port Plug . . . . .	1			Seal Washer (N.I.) . . . . .	1
19	L99013	Plug "O" Ring . . . . .	2				
20	L99251	Oil Level Plug . . . . .	2				
21	L98184	Tube & Screen Assembly . . . . .	1				
22	L98185	Oil Supply Tube Seal Ring . . . . .	1				
23	L99293	Retainer Clip Screw . . . . .	1				

**Torque Converter Group**



Ref. No.	Part No.	Description	Qty. Req.	Ref. No.	Part No.	Description	Qty. Req.
01	L98188	Plug Snap Ring . . . . .	1	12	L98199	Impeller Hub Gear (35T). . . . .	1
02	L98189	Torque Converter Plug . . . . .	1	13	L98200	Stator Support Snap Ring. . . . .	1
03	L98190	Torque Converter Plug "O" Ring . . .	1	14	L98201	Stator Support Piston Ring . . . . .	1
04	L98191	Impeller Hub Snap Ring . . . . .	1	15	L98202	Stator Support Piston . . . . .	1
05	L99313	Torque Converter Asy. . . . .	1			Ring Expander	
06	L98191	Impeller Hub Snap Ring . . . . .	1	16	L98203	Stator Support Asy . . . . .	1
07	L98194	Conv. Hsg. Oil Seal . . . . .	1			(Inc. Item 17 & 20)	
08	L98195	Oil Distributor Ring "O"Ring . . . . .	1	17	L98204	Bushing (Inc. in Item 16) . . . . .	1
09	L98196	Oil Distributor Ring . . . . .	1	18	L98205	Impeller Hub Gear Washer. . . . .	1
10	L98195	Oil Distributor Ring "O"Ring. . . . .	1	19	L98200	Stator Support Snap Ring. . . . .	1
11	L98198	Torque Conv. Bearing. . . . .	1	20	L98197	Bearing (Inc. In Item #16). . . . .	1

**Pump Drive Group**



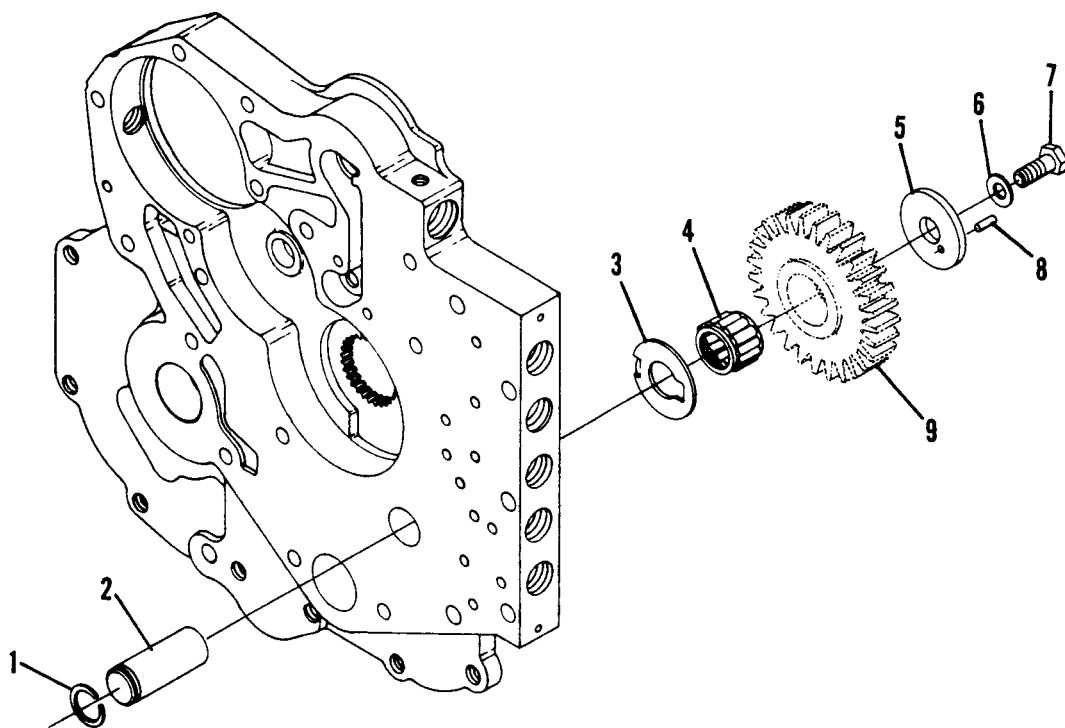
Ref. No.	Part No.	Description	Qty. Req.	Ref. No.	Part No.	Description	Qty. Req.
01	L98942	Pump Drive Idler Thrust Washer . . .	1	05	L98942	Pump Drive Idler Thrust Washer . . .	1
02	L98943	Idler Gear Bearing . . . . .	1	06	L98212	Pump Drive Gear Ret Snap Ring . .	1
03	L98944	Pump Drive Idler Gear (31T) . . . . .	1	07	L98211	Pump Drive Gear (34T) . . . . .	1
04	L98945	Pump Drive Idler Shaft & Pin Asy. . .	1	08	L98947	Roll Pin (Incl. in Item #4) . . . . .	1
		(Incl. Item #8)					



***Charge Pump w/Filter Group***

<b>Ref. No.</b>	<b>Part No.</b>	<b>Description</b>	<b>Qty. Req.</b>	<b>Ref. No.</b>	<b>Part No.</b>	<b>Description</b>	<b>Qty. Req.</b>
01	L98948	"O"Ring . . . . .	1	11	L99020	Pump Mtg. Screw Lockwasher . . . .	4
02	L98949	Ball Check Valve Asy. . . . .	1	12	L99277	Pump Mtg. Screw . . . . .	1
		(Inc. Items 1 thru 5)		13	L99029	Pump Mtg. Screw Lockwasher . . . .	1
03	L98214	Pin . . . . .	1	14	L99184	Filter Assembly. . . . .	1
04	L98215	Ball . . . . .	1	15	L98950	Piston . . . . .	1
05	L98216	Spring . . . . .	1	16	L98951	Spring . . . . .	1
06	L98219	Charging Pump Gasket . . . . .	1	17	L98952	Pin . . . . .	1
07	L98220	Charging Pump . . . . .	1	18	L98953	Sleeve . . . . .	1
08	L99020	Pump Mtg. Screw Lockwasher . . . .	1	19	L98954	Regulator Valve Asy. . . . .	1
09	L99023	Pump Mounting Scew . . . . .	1			(Inc. Items 15 thru 18)	
10	L99025	Pump Mounting Screw . . . . .	4				

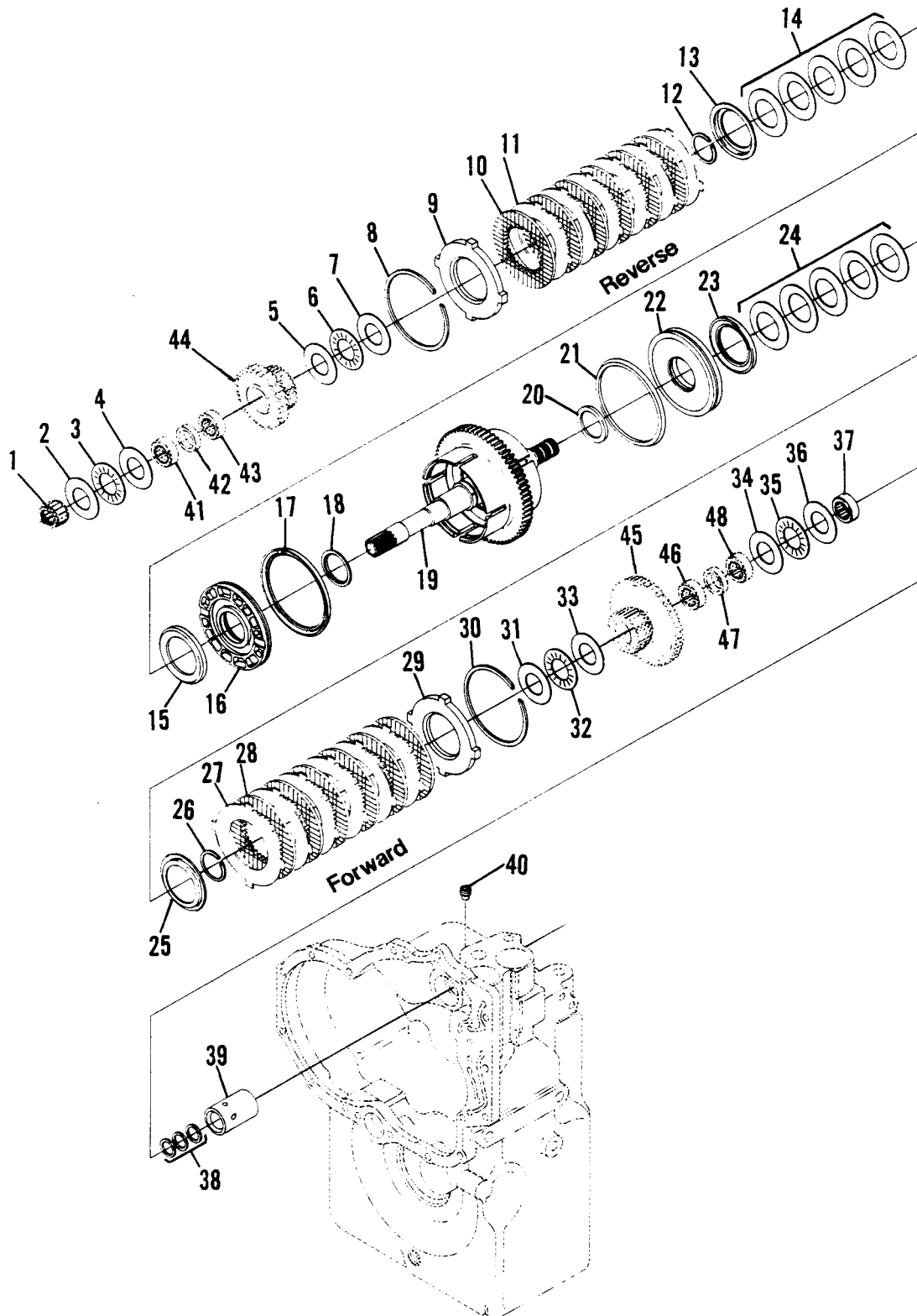
*Reverse Idler Group*



***Reverse Idler Group***

<b>Ref. No.</b>	<b>Part No.</b>	<b>Description</b>	<b>Qty. Req.</b>	<b>Ref. No.</b>	<b>Part No.</b>	<b>Description</b>	<b>Qty. Req.</b>
01	L98228	Idler Shaft Snap Ring . . . . .	1	06	L99032	End Plate Capscrew Washer . . . . .	1
02	L98229	Idler & Pilot Shaft . . . . .	1	07	L99031	Rev. Idler End Plate Capscrew . . . . .	1
03	L98230	Thrust Washer . . . . .	1	08	L98233	End Plate to Shaft Roll Pin . . . . .	1
04	L98231	Reverse Idler Gear Bearing . . . . .	1	09	L98955	Reverse Idler Gear . . . . .	1
05	L98232	End Plate . . . . .	1				

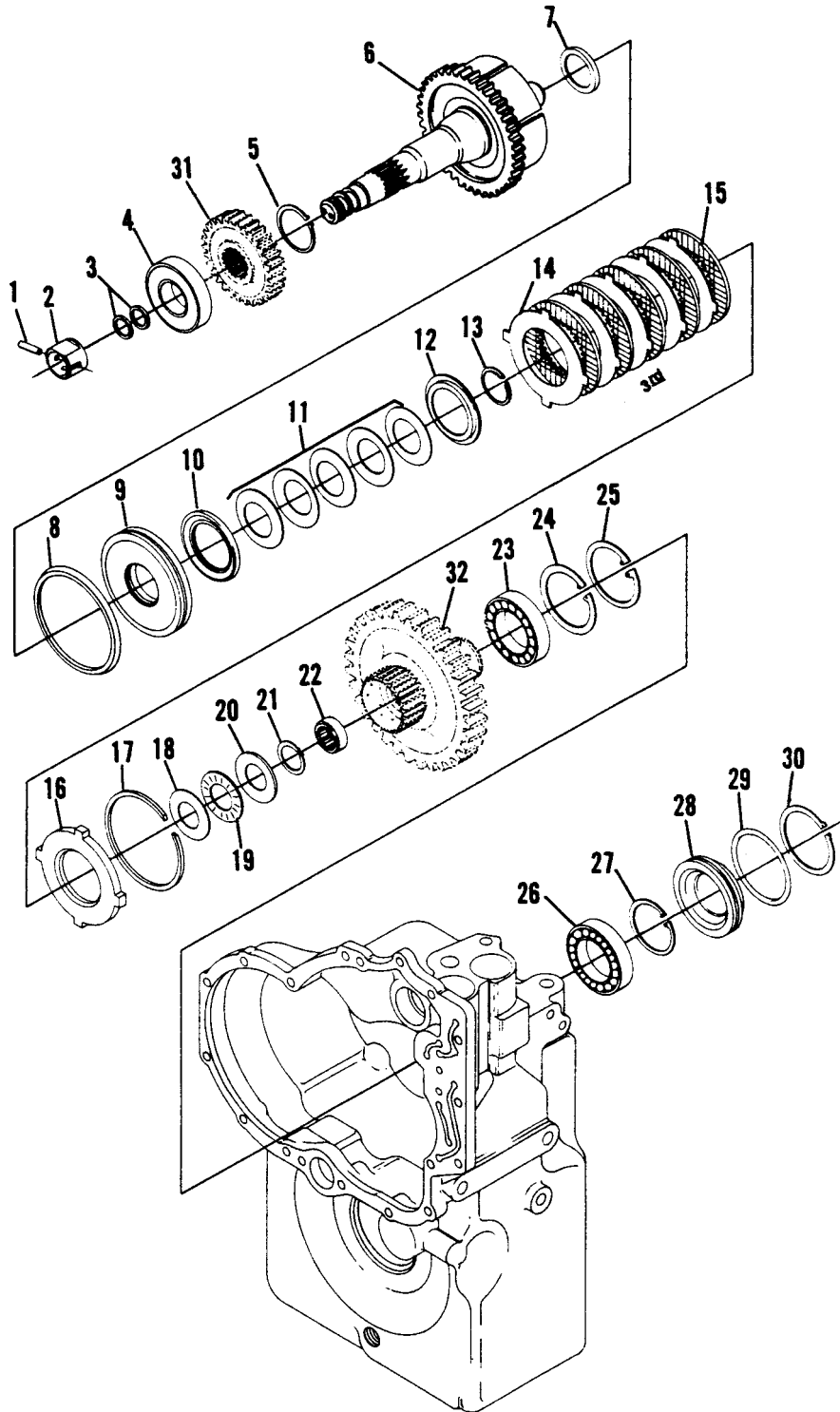
### Forward & Reverse Shaft Group



***Forward & Reverse Shaft Group***

<b>Ref. No.</b>	<b>Part No.</b>	<b>Description</b>	<b>Qty. Req.</b>	<b>Ref. No.</b>	<b>Part No.</b>	<b>Description</b>	<b>Qty. Req.</b>
01		Turbine Shaft Front Bearing (See Converter Group)		24	L98243	Disc Spring Assy. . . . .	5 (Incl. 5 Washers)
02	L98235	Clutch Gear Thrust Washer . . . . .	1	25	L98242	Snap Ring Retainer . . . . .	1
03	L98236	Clutch Gear Thrust Washer Brg. . . . .	1	26	L98241	Retainer Snap Ring . . . . .	1
04	L98235	Clutch Gear Thrust Washer . . . . .	1	27	L98240	Outer Disc - Forward Clutch . . . . .	6
05	L98235	Clutch Gear Thrust Washer . . . . .	1	28	L98239	Inner Disc - Forward Clutch . . . . .	6
06	L98236	Clutch Gear Thrust Washer Brg. . . . .	1	29	L98238	End Plate . . . . .	1
07	L98235	Clutch Gear Thrust Washer . . . . .	1	30	L98237	End Plate Snap Ring . . . . .	1
08	L98237	End Plate Snap Ring . . . . .	1	31	L98235	Clutch Gear Thrust Washer . . . . .	1
09	L98238	End Plate . . . . .	1	32	L98236	Clutch Gear Thrust Washer Brg. . . . .	1
10	L98239	Inner Disc-Reverse Clutch . . . . .	6	33	L98235	Clutch Gear Thrust Washer . . . . .	1
11	L98240	Outer Disc-Reverse Clutch . . . . .	6	34	L98235	Clutch Gear Thrust Washer . . . . .	1
12	L98241	Retainer Snap Ring . . . . .	1	35	L98236	Clutch Gear Thrust Washer Brg. . . . .	1
13	L98242	Snap Ring Retainer . . . . .	1	36	L98235	Clutch Gear Thrust Washer . . . . .	1
14	L98243	Disc Spring Assy. . . . .	5 (Incl. 5 Washers)	37	L98249	Thrbin Shaft Rear Bearing . . . . .	1
15	L98244	Clutch Piston Wear Plate . . . . .	1	38	L98250	Piston Ring . . . . .	3
16	L99278	Clutch Piston & Seals Assy . . . . .	1 (Incl. Items 17,18)	39	L98251	Oil Distributor Sleeve . . . . .	1
17	L98246	Clutch Piston Seal - Outer . . . . .	1	40	L98252	Retainer Screw . . . . .	1
18	L98247	Clutch Piston Seal - Inner. . . . .	1	41	L98253	Bearing . . . . .	1
19	L98291	Turbine Shaft Drum & Plug Assy. . . . .	1	42	L98254	Spacer . . . . .	1
20	L98247	Clutch Piston Seal - Inner. . . . .	1	43	L98253	Bearing . . . . .	1
21	L98246	Clutch Piston Seal - Outer . . . . .	1	44	L98962	Rev. Clutch Gear & Brg. Assy. . . . .	1 (Incl. Items 41 thru 43)
22	L99278	Clutch Piston & Seals Assy. . . . .	1 (Incl. Items 20,21)	45	L98255	Fwd. Clutch Gear & Brg. Assy. . . . .	1 (Incl. Items 46 thru 48)
23	L98244	Clutch Piston Wear Plate . . . . .	1	46	L98253	Bearing . . . . .	1
				47	L98254	Spacer . . . . .	1
				48	L98253	Bearing . . . . .	1

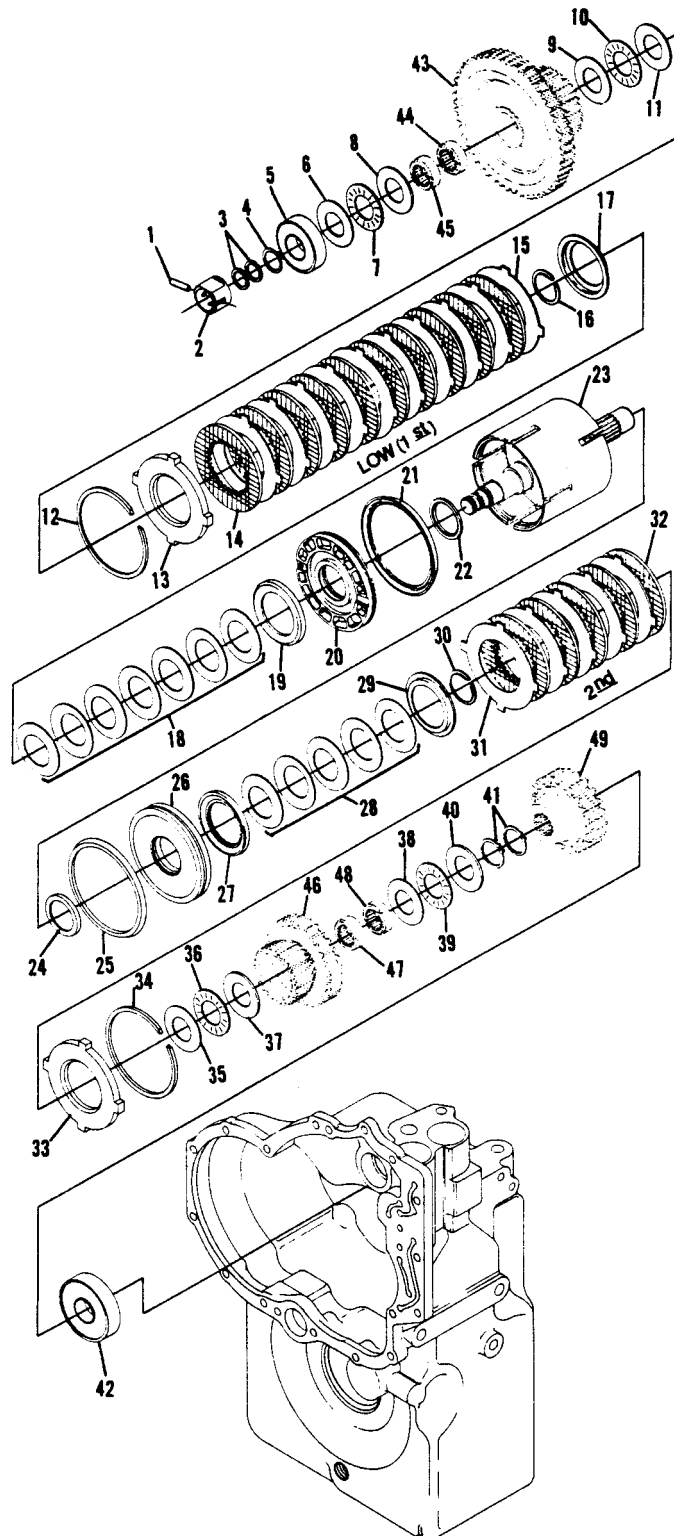
### 3rd & Output Shaft Group



***3rd & Output Shaft Group***

<b>Ref. No.</b>	<b>Part No.</b>	<b>Description</b>	<b>Qty. Req.</b>	<b>Ref. No.</b>	<b>Part No.</b>	<b>Description</b>	<b>Qty. Req.</b>
01	L98257	Sleeve Locating Screw . . . . .	1	16	L98238	End Plate . . . . .	1
02	L98258	Oil Distributor Sleeve . . . . .	1	17	L98237	End Plate Snap Ring . . . . .	1
03	L98250	Piston Ring . . . . .	2	18	L98235	Clutch Gear Thrust Washer . . . . .	1
04	L500273	Bearing & Seal Asy. . . . .	1	19	L98236	Clutch Gear Thrust Washer Brg. . . . .	1
05	L98260	Gear Hub Snap Ring . . . . .	1	20	L98235	Clutch Gear Thrust Washer . . . . .	1
06	L98261	3rd Shaft, Drum, & Plug Asy. . . . .	1	21	L98271	Thrust Washer Ret. Snap Ring . . . . .	1
07	L98247	Clutch Piston Inner Seal . . . . .	1	22	L98263	3rd Clutch Gear Bearing. . . . .	1
08	L98246	Clutch Piston Outer Seal . . . . .	1	23	L99039	Rear Bearing . . . . .	1
09	L99279	Clutch Piston, Ball Seat & Seals Asy. (Incl. Items 7, 8) . . . . .	1	24	L98264	Rear Bearing Ret. Snap Ring . . . . .	1
10	L98244	Clutch Piston Wear Plate . . . . .	1	25	L98264	Output Shaft Brg. Snap Ring . . . . .	1
11	L98243	Disc Spring Asy. . . . . (Incl. 5 Washers)	5	26	L98282	Output Shaft Bearing . . . . .	1
12	L98242	Snap Ring Retainer . . . . .	1	27	L98266	Output Shaft Brg. Ret. Snap Ring. . . . .	1
13	L98241	Retainer Snap Ring . . . . .	1	28	L99280	Plug - Capped End. . . . .	1
14	L98240	Outer Disc - 3rd Clutch. . . . .	5	29	L98268	Oil Seal Sleeve "O" Ring. . . . .	1
15	L98239	Inner disc - 3rd Clutch . . . . .	5	30	L98264	Output Shaft Brg. Snap Ring . . . . .	1
				31	L98965	1st Drive Gear . . . . .	1
				32	L98270	3rd Gear & Shaft . . . . .	1

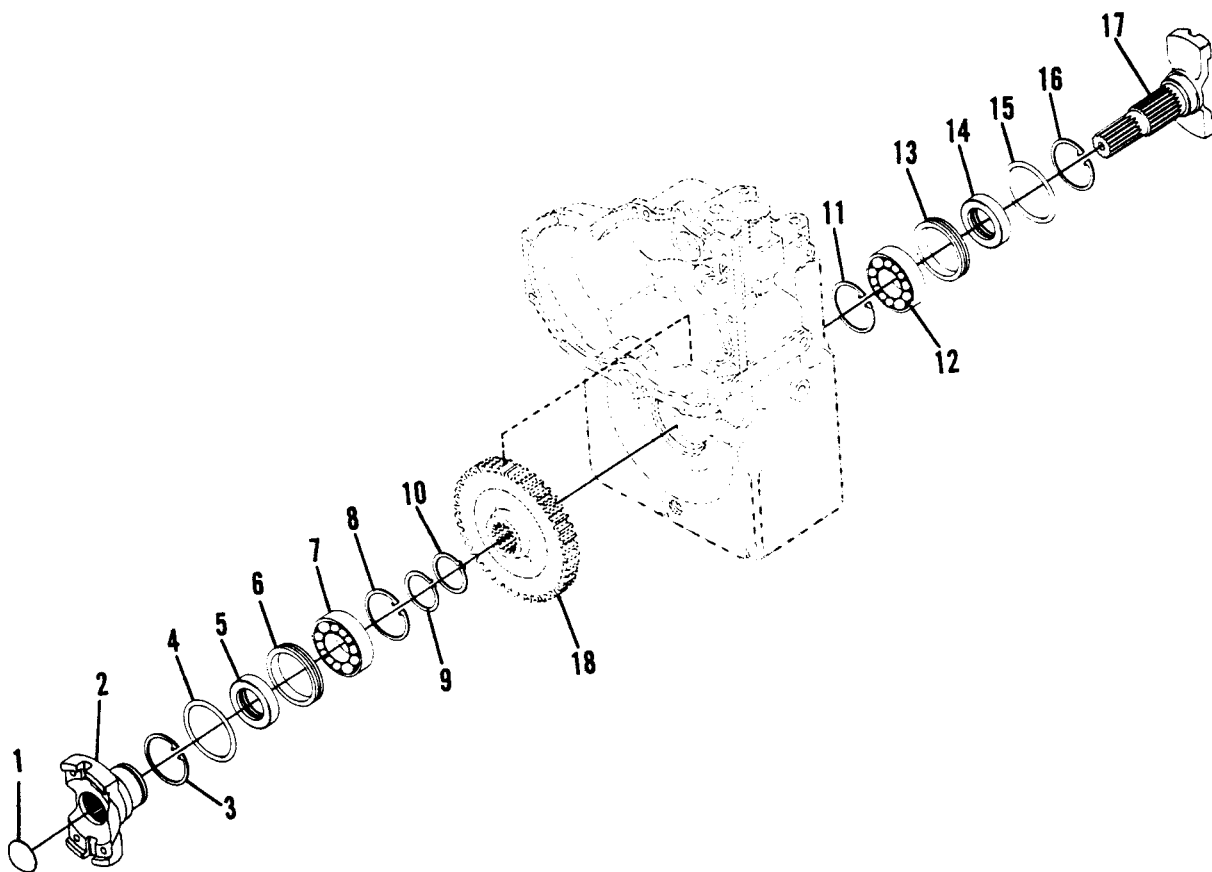
### 1st & 2nd Shaft Group



**1st & 2nd Shaft Group**

Ref. No.	Part No.	Description	Qty. Req.	Ref. No.	Part No.	Description	Qty. Req.
01	L98257	Sleeve Locating Screw . . . . .	1	26	L99281	Clutch Piston	
02	L98272	Oil Distributor Sleeve . . . . .	1			& Seals Asy. (Incl. Items 24,25) . . .	1
03	L98250	Piston Ring . . . . .	2	27	L98244	Clutch Piston Wear Plate . . . . .	1
04		(Not Used)		28	L98243	2nd Clutch Disc Spring Asy. . . . .	5
05	L500273	Bearing & Seal Asy. . . . .	1			(Incl. 5 Washers)	
06	L98235	Clutch Gear Thrust Washer . . . . .	1	29	L98242	Snap Ring Retainer . . . . .	1
07	L98236	Clutch Gear Thrust Washer Brg. . . . .	1	30	L98241	Retainer Snap Ring . . . . .	1
08	L98235	Clutch Gear Thrust Washer . . . . .	1	31	L98240	Outer Disc - 2nd Clutch . . . . .	5
09	L98235	Clutch Gear Thrust Washer . . . . .	1	32	L98239	Inner Disc - 2nd Clutch. . . . .	5
10	L98236	Clutch Gear Thrust Washer Brg. . . . .	1	33	L98238	End Plate . . . . .	1
11	L98235	Clutch Gear Thrust Washer . . . . .	1	34	L98237	End Plate Snap Ring . . . . .	1
12	L98237	End Plate Snap Ring . . . . .	1	35	L98235	Clutch Gear Thrust Washer . . . . .	1
13	L98238	End Plate . . . . .	1	36	L98236	Clutch Gear Thrust Washer Brg. . . . .	1
14	L98239	Inner Disc - 1st Clutch . . . . .	10	37	L98235	Clutch Gear Thrust Washer . . . . .	1
15	L98240	Outer Disc - 1st Clutch . . . . .	10	38	L98235	Clutch Gear Thrust Washer . . . . .	1
16	L98241	Retainer Snap Ring . . . . .	1	39	L98236	Clutch Gear Thrust Washer Brg. . . . .	1
17	L98242	Snap Ring Retainer . . . . .	1	40	L98235	Clutch Gear Thrust Washer . . . . .	1
18	L98243	1st Clutch Disc Spring Asy. . . . .	7	41	L98260	2nd Clutch Gear Hub Snap Ring . . .	2
		(Incl. 7 Washers)		42	L98275	Rear Bearing . . . . .	1
19	L98244	Clutch Piston Wear plate . . . . .	1	43	L98968	1st Clutch Gear & Brg. Asy. . . . .	1
20	L99281	Clutch Piston				(Incl. Items 44,45)	
		& Seals Asy. (Incl. Items 21,22) . . .	1	44	L98253	Bearing . . . . .	1
21	L98246	Clutch Piston Seal - Outer . . . . .	1	45	L98253	Bearing . . . . .	1
22	L98247	Clutch Piston Seal - Inner. . . . .	1	46	L98276	2nd Clutch Gear & Brg. Assy. . . . .	1
23	L98274	1st & 2nd Shaft, Drum & Plug Asy. .	1			(Incl. Items 47,48)	
24	L98247	Clutch Piston Seal - Inner. . . . .	1	47	L98253	Bearing . . . . .	1
25	L98246	Clutch Piston Seal - Outer . . . . .	1	48	L98253	Bearing . . . . .	1
				49	L98277	3rd Driven Gear . . . . .	1

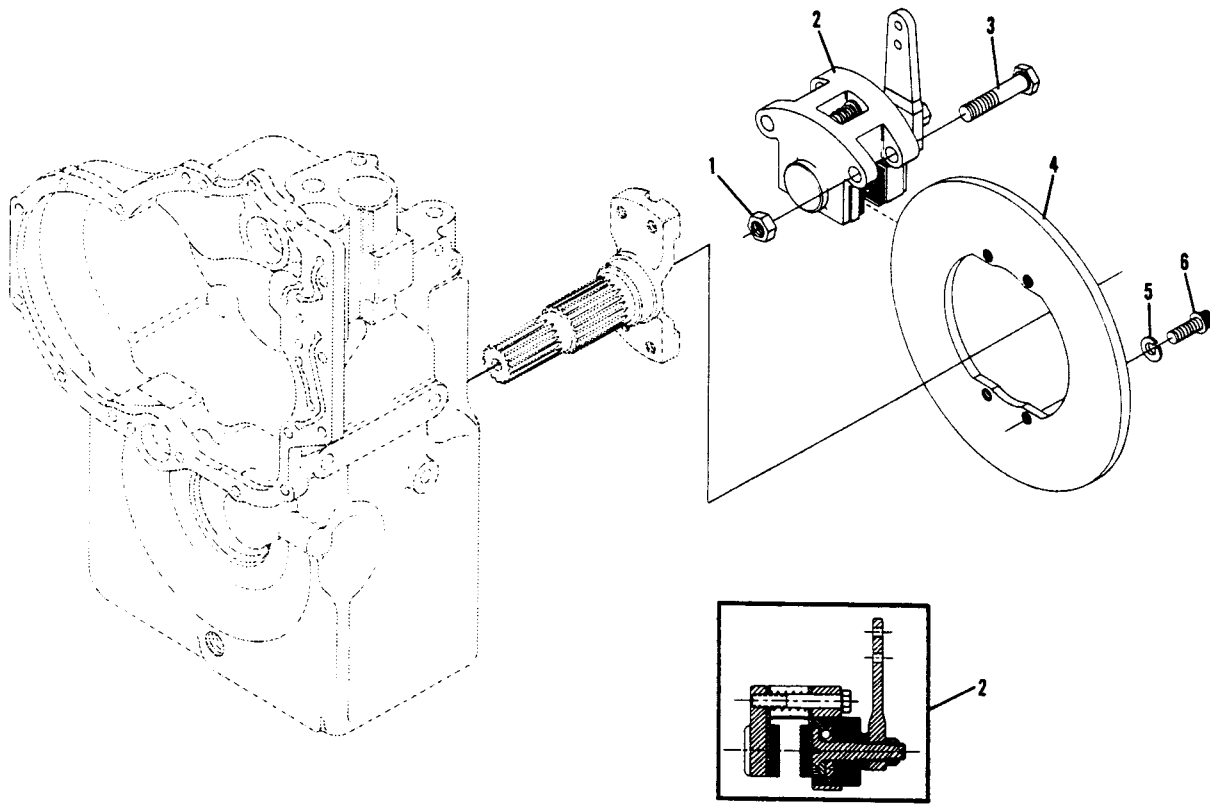
*Output Shaft Group*



***Output Shaft Group***

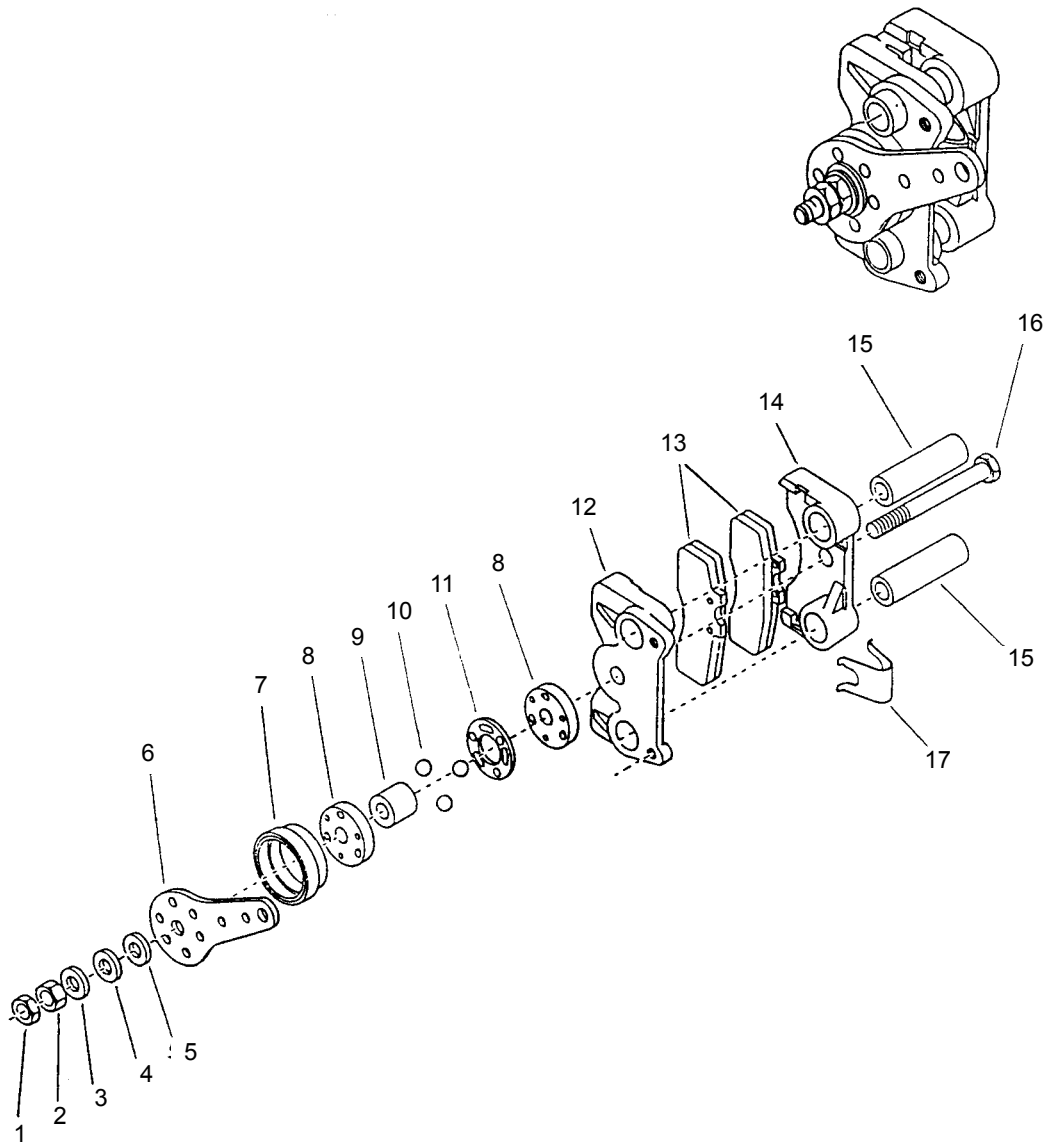
<b>Ref. No.</b>	<b>Part No.</b>	<b>Description</b>	<b>Qty. Req.</b>	<b>Ref. No.</b>	<b>Part No.</b>	<b>Description</b>	<b>Qty. Req.</b>
01	L98278	Flange Plug . . . . .	1	10	L98266	Gear Retaining Ring . . . . .	1
02	L98279	Output Flange & Plug Asy. . . . . (Inc. Item 1)	1	11	L98264	Output Shaft Brg. "O"Ring . . . . .	1
03	L98264	Output Shaft Brg. Snap Ring . . . . .	1	12	L98282	Output Shaft Bearing . . . . .	1
04	L98268	Oil Seal Sleeve "O"Ring . . . . .	1	13	L98281	Oil Seal Sleeve . . . . .	1
05	L96053	Output Shaft Oil Seal . . . . .	1	14	L96053	Output Shaft Oil Seal . . . . .	1
06	L98281	Oil Seal Sleeve . . . . .	1	15	L98268	Output Shaft Sleeve "O"Ring . . . . .	1
07	L98282	Output Shaft Bearing . . . . .	1	16	L98264	Output Shaft Brg. "O"Ring . . . . .	1
08	L98264	Output Shaft Brg. Snap Ring . . . . .	1	17	L500274	Output Shaft & Brake Flange (SC) . . . . .	1
09	L98266	Flange Retaining Ring . . . . .	1	18	L98284	Output Shaft Gear . . . . .	1

**Disc Brake Group**



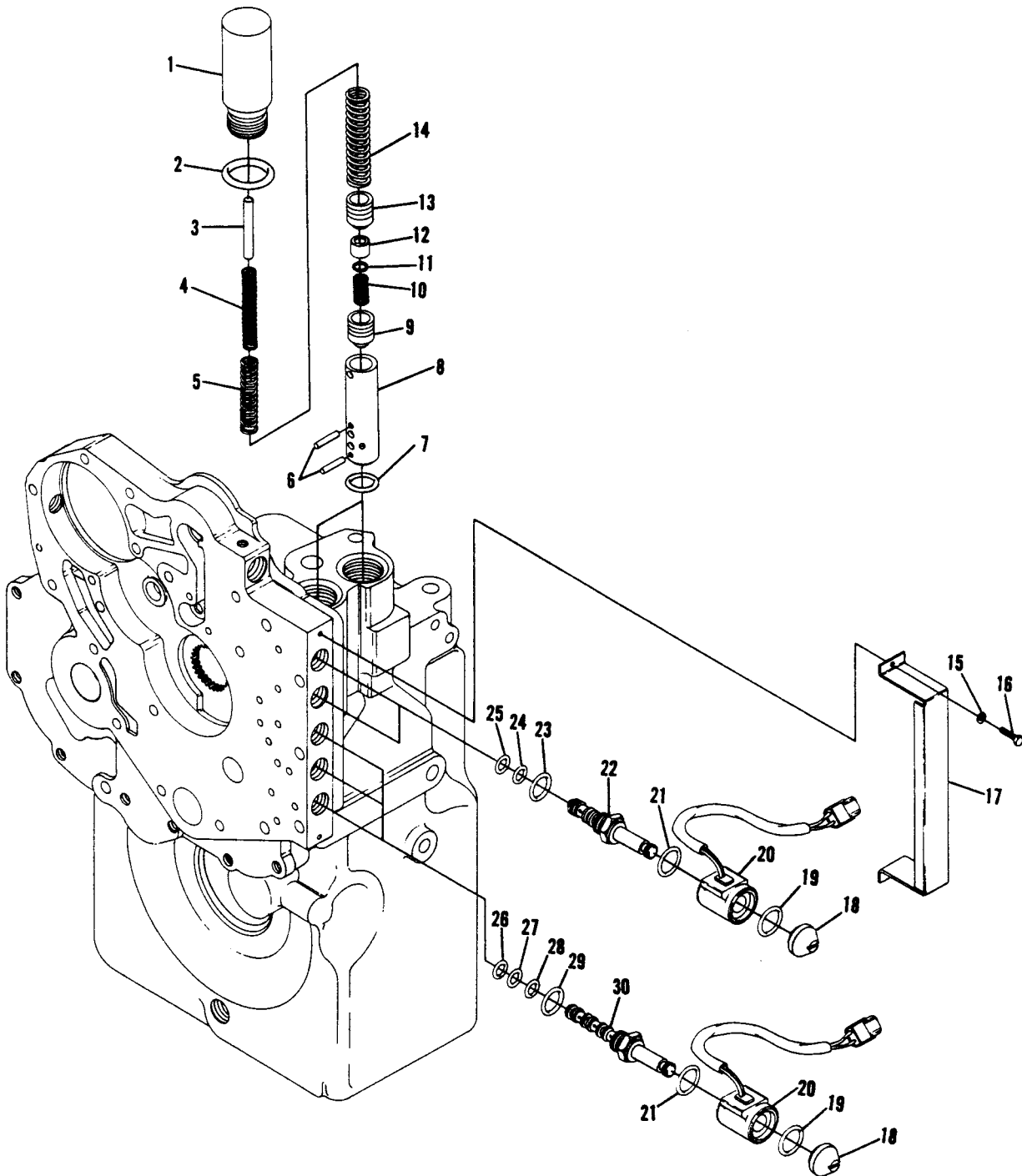
Ref. No.	Part No.	Description	Qty. Req.	Ref. No.	Part No.	Description	Qty. Req.
01	L99040	Caliper Asy. Capscrew Lock Nut . . .	2	04	L98287	Brake Disc . . . . .	1
02	L99297	Caliper Brake Asy. (See Parts List) .	1	05	L98617	Brake Disc Capscrew Lockwasher .	4
03	L99298	Caliper Assy. Mtg. Capscrew . . . . .	2	06	L500276	Brake Disc Capscrew . . . . .	4

### Brake Caliper Assembly



Ref. No.	Part No.	Description	Qty. Req.	Ref. No.	Part No.	Description	Qty. Req.
01	L99299	Jam Adjust. Nut . . . . .	1	13	NSS	Carrier & Lining Asy (See Item 19 or 20)	
02	L99300	Adjusting Nut . . . . .	1	14	NSS	Torque Plate Rear (Part of Item 18)	
03	L99301	Hardened Washer . . . . .	1	15	L99307	Mounting Sleeve . . . . .	2
04	L99302	Stainless Steel Washer . . . . .	1	16	L99308	Adjusting Bolt . . . . .	1
05	NSS	Thrust Washer (See Item 20)		17	NSS	Spring (See Item 19 or 20) (Incl. Items 1 thru 14)	
06	L99303	Lever . . . . .	1	18	L99297	Brake Asy. (Incl. Items 1-17) . . . . .	1
07	NSS	Boot (See Item 20)		19	L99309	Lining Kit (Incl. Items 13,17) . . . . .	1
08	L99304	Cam . . . . .	1	20	L99310	Hdwr. Parts Kit . . . . .	1
09	NSS	Id. Seal (See Item 20)				(Incl. Items 5,7,9 & 19)	
10	L99305	Ball . . . . .	3				
11	L99306	Plastic Retainer . . . . .	1				
12	NSS	Torque Plate Front (Part of Item 18)					

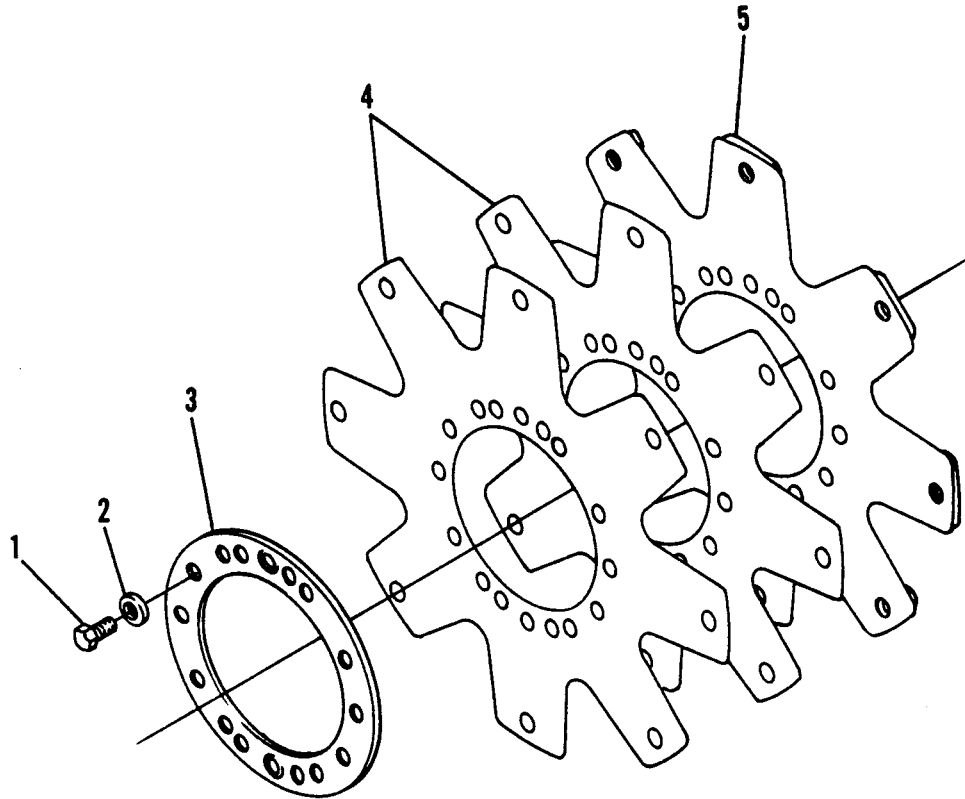
**Electric Control w/Modulation Group**



***Electric Control w/Modulation Group***

<b>Ref. No.</b>	<b>Part No.</b>	<b>Description</b>	<b>Qty. Req.</b>	<b>Ref. No.</b>	<b>Part No.</b>	<b>Description</b>	<b>Qty. Req.</b>
01	L98291	Modulator Valve Housing . . . . .	1	19	L98307	Nut to Coil "O,Ring. . . . .	4
02	L98292	Modulator Housing "0" Ring . . . . .	1	20	L98308	Solenoid Coil - 12 Volt . . . . .	4
03	L98293	Stop Pin . . . . .	1	21	L98307	Coil to Cartridge "O"Ring . . . . .	4
04	L98294	Spring - Inner . . . . .	1	22		<i>(Not Used - See Item 30)</i>	
05	L98295	Spring - Middle . . . . .	1	23		<i>(Not Used - See Item 29)</i>	
06	L98956	Upper Pin. . . . .	2	24		<i>(Not Used - See Item 28)</i>	
6A	L98957	Lower Pin. . . . .	2	25		<i>(Not Used - See Item 27)</i>	
07	L98297	Sleeve "O"Ring . . . . .	1	26	L98313	Cartridge "O"Ring. . . . .	3
08	L98298	Modulation Housing Sleeve . . . . .	1	27	L98312	Cartridge "O"Ring. . . . .	2
09	L98958	Regulator Spool . . . . .	1	28	L98311	Cartridge "O"Ring. . . . .	3
10	L98300	Spring . . . . .	1	29	L98310	Cartridge "O"Ring. . . . .	3
11	L98301	Spring Spacer. . . . .	1	30	L98314	Valve Cartridge, 4 Way. . . . .	2
12	L98302	Spring Retainer . . . . .	1			Used at 1st & 2nd - 3rd (Incl. Items 26-29)	
13	L98303	Accumulator Spool . . . . .	1	30A	L98315	Solenoid Bore Plug . . . . .	1
14	L98304	Spring - Outer . . . . .	1			Used at Fwd.-Hi & Low (Incl. (1) of Itmes 26,28,29)	
15	L99034	Cover Screw Lockwasher. . . . .	2	31	L98960	Spool Type Sol. Cartridge Asy (Incl. Item 18 thru 21[4 ea.] , 30) . . .	4
16	L99035	Cover Screw . . . . .	2				
17	L98305	Protective Cover. . . . .	1				
18	L99036	Valve Cartridge Retainer Nut . . . . .	4				

**Drive Plate Group**



Ref. No.	Part No.	Description	Qty. Req.	Ref. No.	Part No.	Description	Qty. Req.
01	L99312	Drive Plate Mounting Screw . . . . .	6	04	NSS	Drive Plate - (Incl. In Item #5)	
02	L99030	Drive Plate Mounting Screw Lockwasher . . . . .	6	05	L98317	Drive Plate Asy. Kit (Incl. Items 1 thru 4) . . . . .	1
03	L97516	Drive Plate Backing Ring . . . . .	1				

***Numerical Index***

<b>Part No.</b>	<b>Page No.</b>	<b>Ref. No.</b>	<b>Part No.</b>	<b>Page No.</b>	<b>Ref. No.</b>	<b>Part No.</b>	<b>Page No.</b>	<b>Ref. No.</b>	<b>Part No.</b>	<b>Page No.</b>	<b>Ref. No.</b>
L500270	11-7	08	L98235	11-15	02	L98244	11-15	15	L98266	11-21	10
L500273	11-17	04	L98235	11-15	07	L98244	11-15	23	L98266	11-17	27
L500273	11-19	05	L98235	11-17	18	L98244	11-17	10	L98266	11-21	09
L500274	11-21	17	L98235	11-17	20	L98246	11-15	17	L98268	11-21	04
L500276	11-22	06	L98235	11-19	11	L98246	11-15	21	L98268	11-21	15
L94824	11-7	15	L98235	11-15	36	L98246	11-17	08	L98268	11-17	29
L96053	11-21	14	L98235	11-19	06	L98246	11-19	21	L98270	11-17	32
L96053	11-21	05	L98235	11-19	09	L98246	11-19	25	L98271	11-17	21
L97516	11-26	03	L98235	11-19	08	L98247	11-17	07	L98272	11-19	02
L98176	11-7	25	L98236	11-19	10	L98247	11-15	18	L98274	11-19	23
L98184	11-7	21	L98236	11-19	07	L98247	11-15	20	L98275	11-19	42
L98185	11-7	22	L98236	11-15	06	L98247	11-19	22	L98276	11-19	46
L98188	11-8	01	L98236	11-15	32	L98247	11-19	24	L98276	11-3	46
L98189	11-8	02	L98236	11-19	36	L98249	11-15	37	L98277	11-19	49
L98190	11-8	03	L98236	11-19	39	L98250	11-19	03	L98277	11-3	49
L98191	11-8	04	L98236	11-15	35	L98250	11-17	03	L98278	11-21	01
L98191	11-8	06	L98236	11-17	19	L98250	11-15	38	L98279	11-21	02
L98194	11-8	07	L98236	11-15	03	L98251	11-15	39	L98280	11-17	28
L98195	11-8	08	L98237	11-19	12	L98252	11-15	40	L98281	11-21	06
L98195	11-8	10	L98237	11-19	34	L98253	11-3	45	L98281	11-21	13
L98196	11-8	09	L98237	11-17	17	L98253	11-3	44	L98282	11-17	26
L98197	11-8	20	L98237	11-15	30	L98253	11-3	47	L98282	11-21	12
L98198	11-8	11	L98237	11-15	08	L98253	11-3	48	L98282	11-21	07
L98199	11-8	12	L98238	11-19	33	L98253	11-15	41	L98284	11-21	18
L98200	11-8	13	L98238	11-15	29	L98253	11-3	48	L98284	11-3	18
L98200	11-8	19	L98238	11-17	16	L98253	11-15	46	L98287	11-22	04
L98201	11-8	14	L98238	11-19	13	L98253	11-3	46	L98291	11-15	19
L98202	11-8	15	L98238	11-15	09	L98253	11-15	43	L98291	11-25	01
L98203	11-8	16	L98239	11-19	14	L98253	11-15	48	L98292	11-25	02
L98204	11-8	17	L98239	11-15	28	L98253	11-3	43	L98293	11-25	03
L98205	11-8	18	L98239	11-15	10	L98253	11-19	47	L98294	11-25	04
L98211	11-9	07	L98239	11-19	32	L98253	11-3	41	L98295	11-25	05
L98212	11-9	06	L98239	11-17	15	L98253	11-19	48	L98297	11-25	07
L98214	11-11	03	L98240	11-19	15	L98253	11-19	44	L98298	11-25	08
L98215	11-11	04	L98240	11-17	14	L98253	11-19	45	L98300	11-25	10
L98216	11-11	05	L98240	11-15	11	L98254	11-15	42	L98301	11-25	11
L98217	11-7	35	L98240	11-15	27	L98254	11-15	47	L98302	11-25	12
L98218	11-7	36	L98240	11-19	31	L98254	11-3	47	L98303	11-25	13
L98219	11-11	06	L98241	11-15	12	L98254	11-3	42	L98304	11-25	14
L98220	11-11	07	L98241	11-15	26	L98255	11-15	45	L98305	11-25	17
L98228	11-13	01	L98241	11-19	30	L98255	11-3	45	L98307	11-25	21
L98229	11-13	02	L98241	11-19	16	L98257	11-17	01	L98307	11-25	19
L98230	11-13	03	L98241	11-17	13	L98257	11-19	01	L98308	11-25	20
L98231	11-13	04	L98242	11-15	13	L98258	11-17	02	L98310	11-25	29
L98232	11-13	05	L98242	11-15	25	L98260	11-17	05	L98311	11-25	28
L98233	11-13	08	L98242	11-19	17	L98260	11-19	41	L98312	11-25	27
L98235	11-19	40	L98242	11-19	29	L98261	11-17	06	L98313	11-25	26
L98235	11-15	34	L98242	11-17	12	L98263	11-17	22	L98314	11-25	30
L98235	11-19	38	L98243	11-15	14	L98264	11-21	16	L98315	11-25	30A
L98235	11-15	04	L98243	11-17	11	L98264	11-17	24	L98317	11-26	05
L98235	11-19	35	L98243	11-15	24	L98264	11-17	30	L98617	11-15	22
L98235	11-15	05	L98243	11-19	28	L98264	11-21	03	L98734	11-7	40
L98235	11-19	37	L98243	11-19	18	L98264	11-17	25	L98735	11-7	41
L98235	11-15	33	L98244	11-19	27	L98264	11-21	11	L98926	11-7	06
L98235	11-15	31	L98244	11-19	19	L98264	11-21	08	L98927	11-7	07

***Numerical Index***

<b>Part No.</b>	<b>Page No.</b>	<b>Ref. No.</b>	<b>Part No.</b>	<b>Page No.</b>	<b>Ref. No.</b>	<b>Part No.</b>	<b>Page No.</b>	<b>Ref. No.</b>
L98927	07	28	L99060	05	10	L99307	23	15
L98931	07	29	L99184	11	14	L99308	23	16
L98932	07	30	L99246	07	11	L99309	23	19
L98935	07	37	L99246	07	04	L99310	23	20
L98938	05	04	L99246	05	03	L99312	07	02
L98942	09	01	L99249	05	02B	L99312	26	01
L98942	09	05	L99251	07	20	L99312	07	13
L98943	09	02	L99253	07	26	L99313	08	05
L98944	09	03	L99260	05	08			
L98945	09	04	L99261	05	13			
L98947	09	08	L99262	05	15			
L98948	11	01	L99270	07	27			
L98949	11	02	L99270	03	32			
L98950	11	15	L99274	07	09			
L98951	11	16	L99277	11	12			
L98952	11	17	L99278	15	16			
L98953	11	18	L99279	17	09			
L98954	11	19	L99281	19	26			
L98955	03	09	L99281	19	20			
L98955	13	09	L99282	22	05			
L98956	25	06	L99283	05	01			
L98957	25	06A	L99283	07	11A			
L98958	25	09	L99283	05	02			
L98960	25	31	L99283	05	06			
L98962	03	44	L99283	07	16			
L98962	15	44	L99284	05	02A			
L98965	17	31	L99284	05	06A			
L98965	03	31	L99284	05	01A			
L98968	19	43	L99284	07	11B			
L98968	03	43	L99284	07	16A			
L99012	07	18	L99285	05	12			
L99013	07	19	L99286	05	05			
L99018	07	38	L99287	07	01			
L99018	07	32	L99287	07	12			
L99020	11	08	L99287	07	42			
L99020	11	11	L99288	07	02A			
L99023	11	09	L99288	07	13A			
L99025	11	10	L99289	07	03			
L99025	05	11	L99290	07	05			
L99029	07	39	L99293	07	23			
L99029	05	07	L99294	07	25A			
L99029	11	13	L99294	07	43			
L99029	07	33	L99295	07	24B			
L99029	05	09	L99295	07	24			
L99029	07	31	L99297	22	02			
L99029	05	14	L99297	23	18			
L99030	26	02	L99298	22	03			
L99031	13	07	L99299	23	01			
L99032	13	06	L99300	23	02			
L99034	25	15	L99301	23	03			
L99035	25	16	L99302	23	04			
L99036	25	18	L99303	23	06			
L99039	17	23	L99304	23	08			
L99040	22	01	L99305	23	10			
L99045	07	34	L99306	23	11			

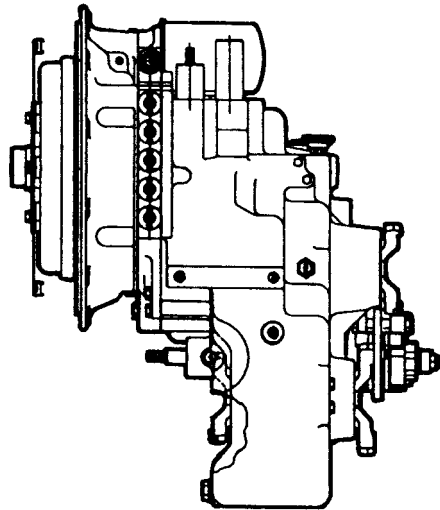
Form No.  
908430

# T12000

## Clark

# Transmission

Model No.  
1106T12366-100



# SERVICE PARTS

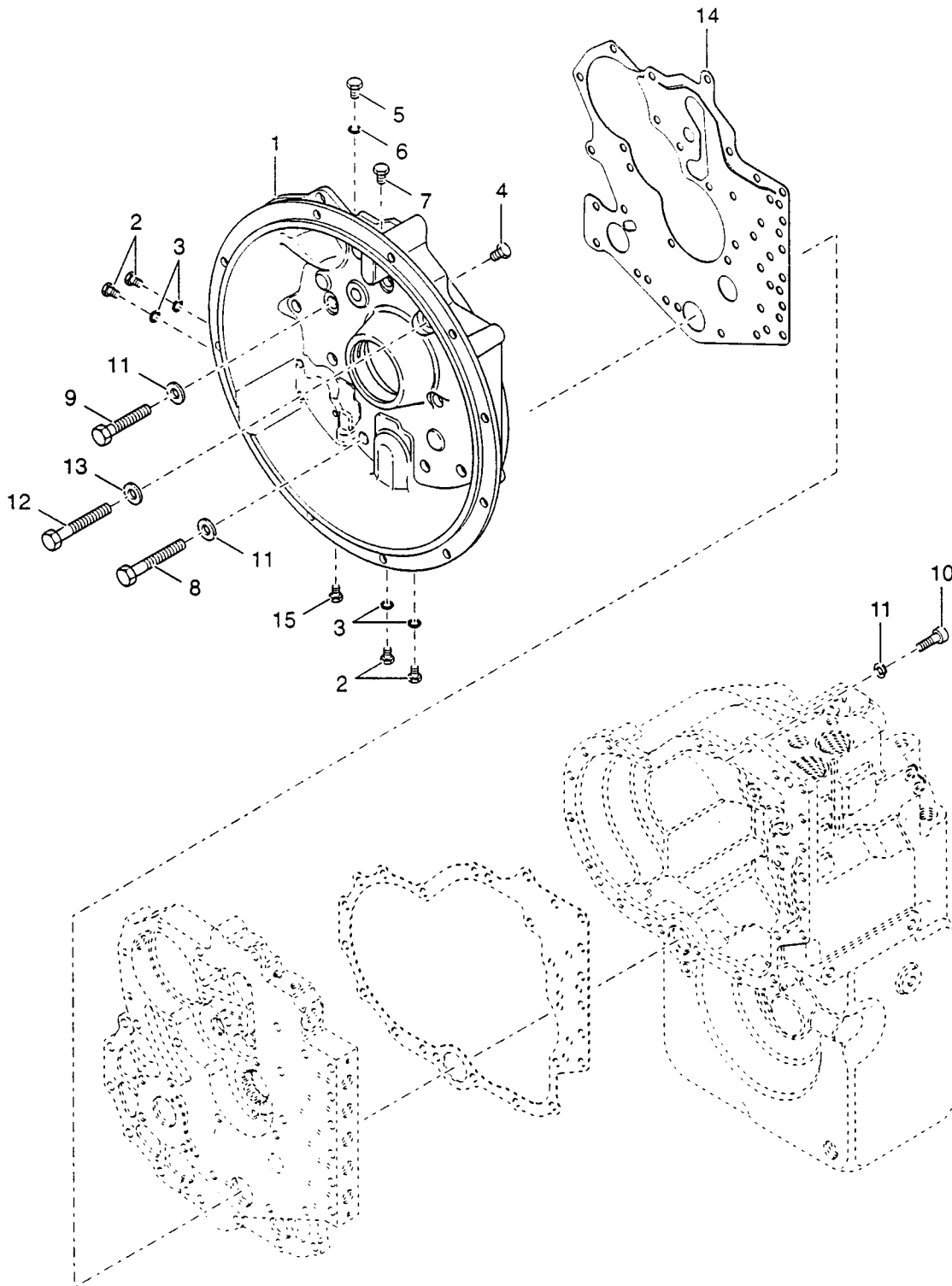
**GEHL**<sup>®</sup>



**Section Contents**

Converter Housing Group ..... **2**  
Case and Plate Group ..... **4**  
Torque Converter Group ..... **6**  
Pump Drive Group ..... **7**  
Gear Group ..... **8**  
Charge Pump Group ..... **10**  
Reverse Idler Group ..... **12**  
Forward/Reverse Shaft Group ..... **14**  
3rd Shaft Group ..... **16**  
1st and 2nd Shaft Group ..... **18**  
Output Shaft Group ..... **20**  
Disc Brake Group ..... **22**  
Brake Caliper Assembly ..... **23**  
Electric Control Group ..... **24**  
Drive Plate Group ..... **26**  
Numerical Index ..... **27**

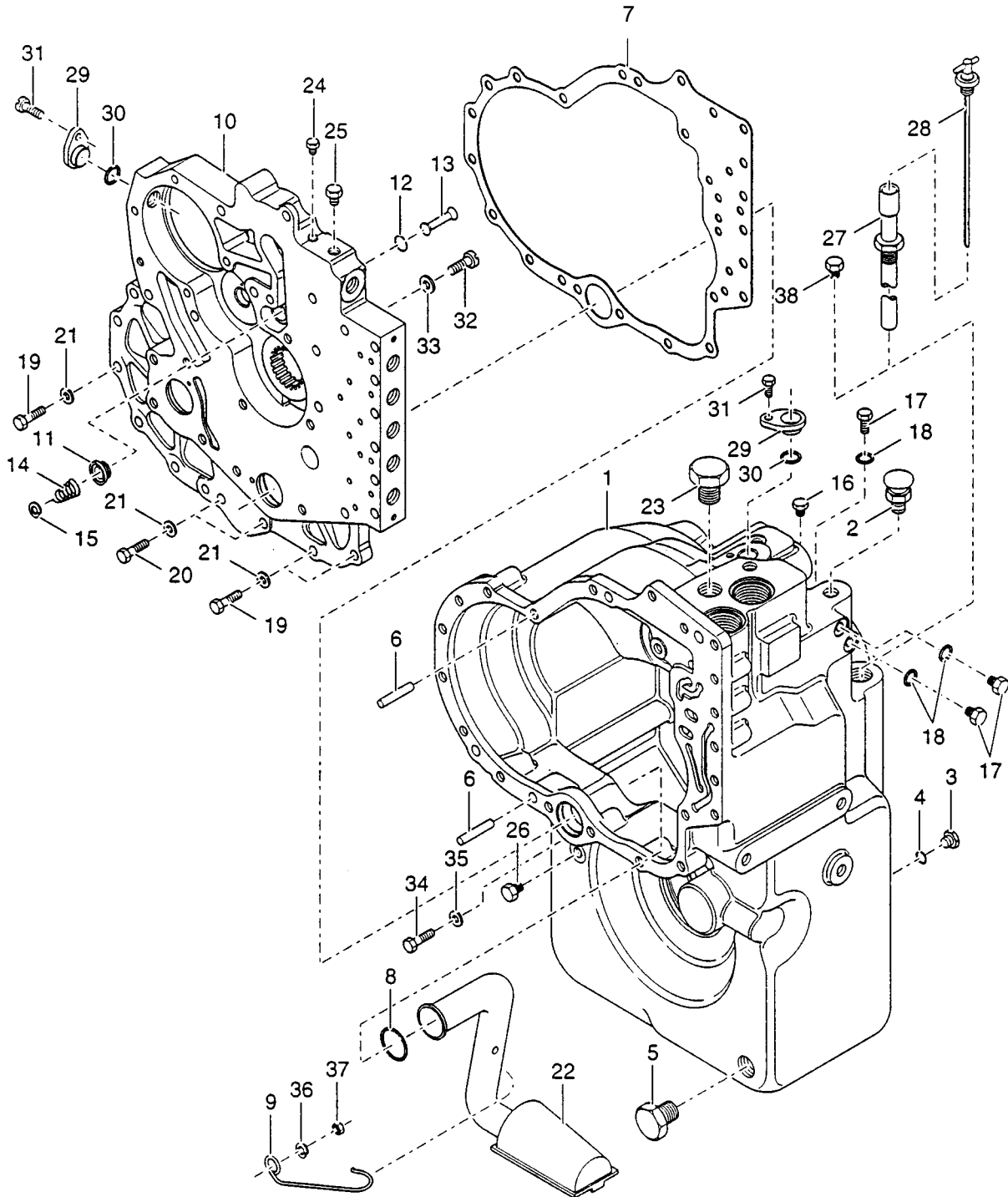
**Converter Housing Group**



**Converter Housing Group**

Ref. No.	Part No.	Description	Qty. Req.	Ref. No.	Part No.	Description	Qty. Req.
01	L99286	Converter Housing . . . . .	1	08	L99285	Screw, Conv. Hsg. to Plate . . . . .	6
02	L96015	Plug . . . . .	4	09	L99260	Screw, Conv. Hsg. to Plate . . . . .	3
03	L99284	O Ring, Plug . . . . .	4	10	L99261	Screw, Conv. Hsg. to Plate . . . . .	1
04	L99246	Plug . . . . .	1	11	L99029	LW, Conv. Hsg. to Trans. Case . . .	10
05	L96015	Plug . . . . .	1	12	L99260	Screw, Conv. Hsg. to Plate . . . . .	13
06	L99284	O Ring, Plug . . . . .	1	13	L99029	LW, Conv. Hsg. to Trans. Case . . .	13
07	L99262	Plug . . . . .	1	14	L98938	Gasket, Conv. Housing to Plate . . .	1
				15	L99249	Plug . . . . .	1

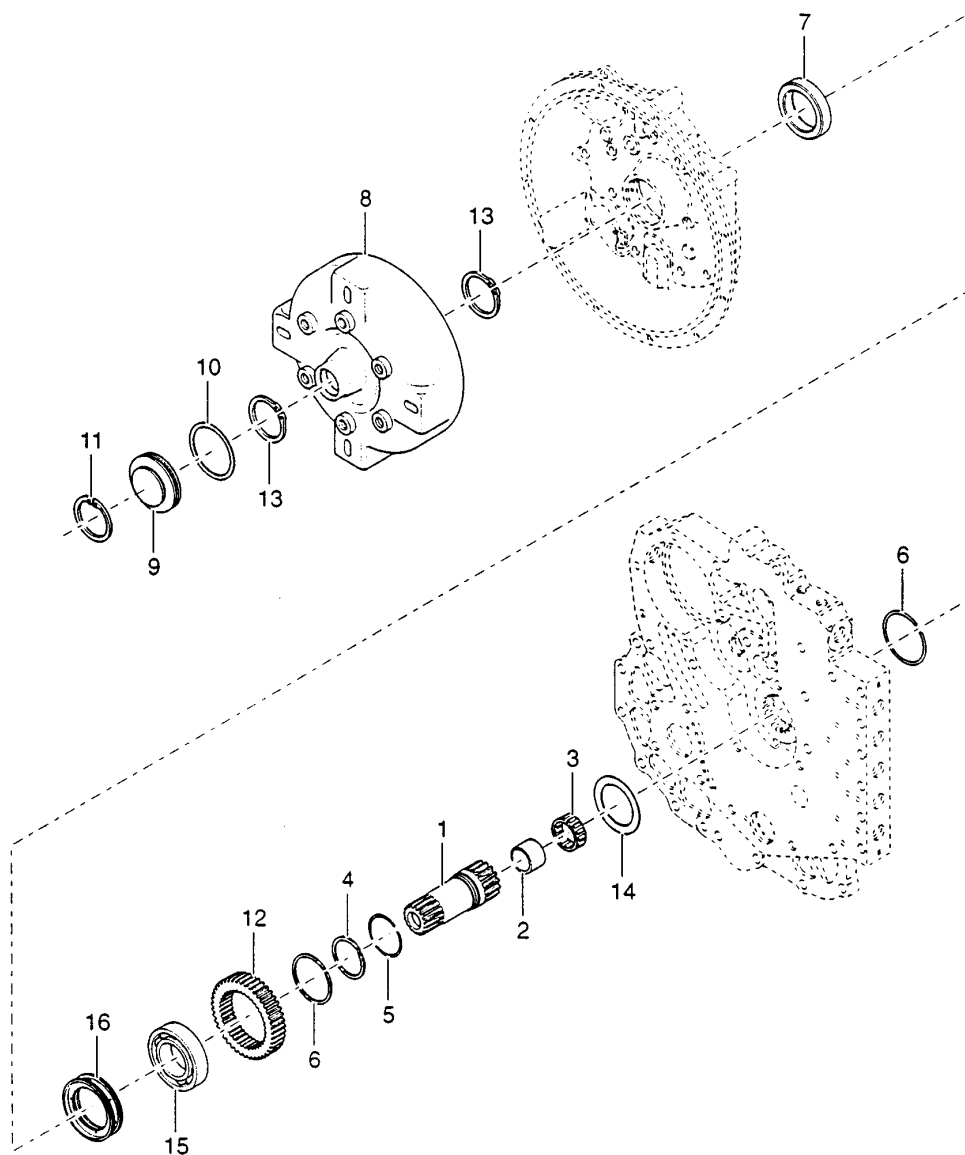
Case & Plate Group



**Case & Plate Group**

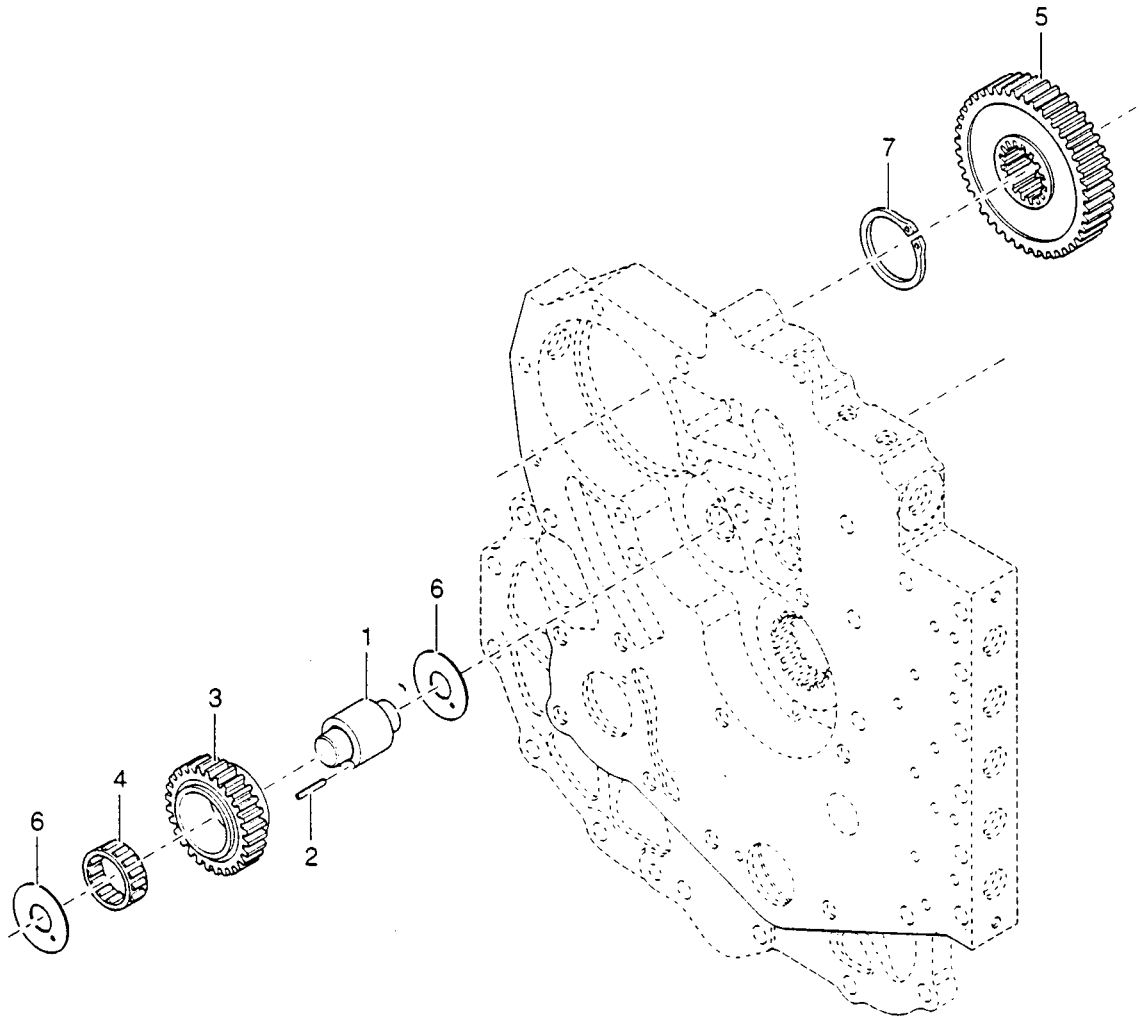
Ref. No.	Part No.	Description	Qty. Req.	Ref. No.	Part No.	Description	Qty. Req.
01	L500404	Transmission Case . . . . .	1	20	L99045	Screw, Plate to Trans Case . . . . .	2
02	L94824	Air Breather . . . . .	1	21	L99029	LW, Plate to Trans Case Screw . . .	9
03	L99251	Plug, Oil Level . . . . .	2	22	L98184	Assembly, Tube & Screen . . . . .	1
04	L99013	O-Ring, Plug . . . . .	2	23	L99274	Filler Plug . . . . .	1
05	L99253	Drain Plug, Magnetic . . . . .	1	24	L99246	Plug . . . . .	1
06	L98927	Pin, Plate to Trans Case Dowel . .	1	25	L99262	Plug . . . . .	1
07	L98926	Gasket, Plate to Trans Case . . . .	1	26	L99270	Plug, Drain Back Port . . . . .	1
08	L98185	Ring, Oil Supply Tube Seal . . . . .	1	27	L98734	Tube, Dipstick . . . . .	1
09	L98176	Clip, Oil Supply Tube Retainer . . .	1	28	L98735	Dipstick Asy. . . . .	1
10	L500405	Spacer Plate . . . . .	1	29	L99287	Plug, Speed Sensor Port . . . . .	2
11	L98935	Seat, Safety Valve . . . . .	1	30	L99312	O- Ring, Speed Sensor Plug . . . . .	2
12	L98932	Snap Ring, Seat . . . . .	1	31	L99288	Screw, Speed Sensor Port Plug . . .	2
13	L98226	Poppet, Converter Safety Valve . . .	1	32	L500406	Screw, Baffle Hole . . . . .	1
14	L98218	Spring, Converter Safety Valve . . .	1	33	L99294	Washer, Baffle Seal . . . . .	1
15	L98217	Washer, Poppet Retaining . . . . .	1	34	L99285	Screw, Retainer Clip . . . . .	1
16	L99246	Plug . . . . .	1	35	L99294	Washer, Ret. Clip Screw Seal . . . .	1
17	L96015	Plug ( <i>includes item 18</i> ) . . . . .	3	36	L99295	Washer, Ret. Clip Screw . . . . .	1
18	L99284	O-Ring, Plug ( <i>part of item 17</i> ) . . . .	3	37	L99296	Nut, Retainer Clip Screw . . . . .	1
19	L99018	Screw, Plate to Trans Case . . . . .	7				

### Torque Converter Group



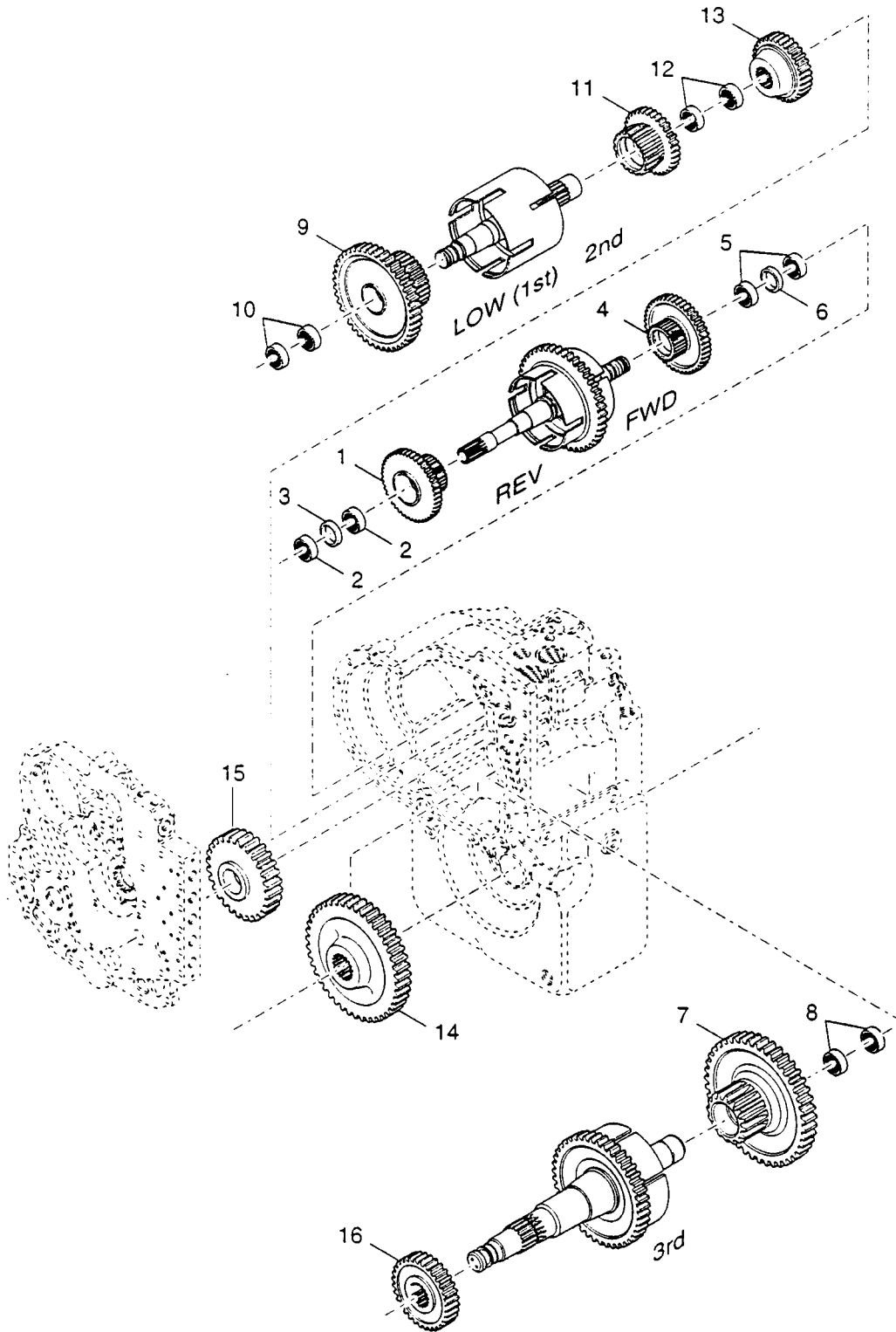
Ref. No.	Part No.	Description	Qty. Req.	Ref. No.	Part No.	Description	Qty. Req.
01	L98203	Asy, Stator Support. . . . .	1	09	L98189	Plug, Torque Converter. . . . .	1
		(Inc. Items 2 & 3)		10	L97525	O-Ring, Torque Converter Plug . . . .	1
02	L98204	Bushing (Inc. in Item 1) . . . . .	1	11	L97526	Snap Ring, Torque Converter Plug .	1
03	L98197	Bearing (Inc. in Item 1). . . . .	1	12	L98199	Gear, Impeller Hub . . . . .	1
04	L98201	Ring, Stator Support Piston . . . . .	1	13	L98191	Snap Ring, Impeller Hub . . . . .	2
05	L98202	Expander, Stator Supt Piston Ring .	1	14	L98205	Washer, Impeller Hub Gear . . . . .	1
06	L98200	Snap Ring, Stator Support . . . . .	2	15	L98198	Bearing, Torque Conv. . . . .	1
07	L98194	Seal, Conv. Hsg. Oil. . . . .	1	16	L98196	Ring, Oil Distributor . . . . .	1
08	L99313	Asy, Torque Converter. . . . .	1				

**Pump Drive Group**



Ref. No.	Part No.	Description	Qty. Req.	Ref. No.	Part No.	Description	Qty. Req.
01	L98945	Asy., Pump Drive Shaft & Pin . . . . .	1	04	L98943	Bearing, Idler Gear. . . . .	1
		<i>(Incl. Item 2)</i>		05	L98211	Gear, Pump Drive. . . . .	1
02	L98947	Roll Pin <i>(Incl. in Item 1)</i> . . . . .	1	06	L98942	Washer, Pump Drive Idler Thrust . . . . .	2
03	L98944	Gear, Pump Drive Idler. . . . .	1	07	L98212	Snap Ring, Pump Drive Ret . . . . .	1

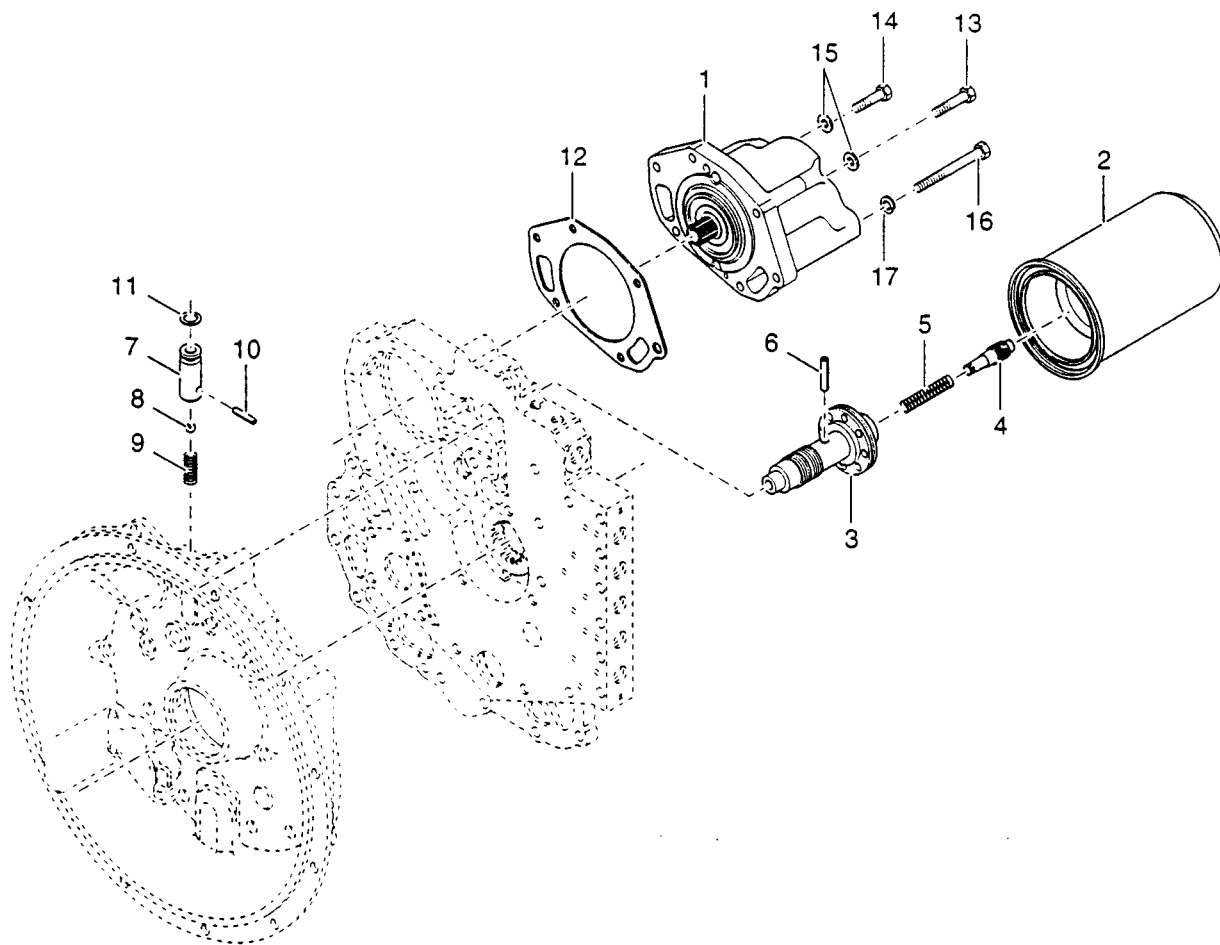
### Gear Group



***Gear Group***

<b>Ref. No.</b>	<b>Part No.</b>	<b>Description</b>	<b>Qty. Req.</b>	<b>Ref. No.</b>	<b>Part No.</b>	<b>Description</b>	<b>Qty. Req.</b>
01	L98962	Asy, Rev. Clutch Gear & Bearing . . . 1 <i>(Incl. Items 2-3)</i>	1	08	L500408	Bearing, 3rd Clutch Gear . . . . . 2 <i>(Part of Item 7)</i>	2
02	L98253	Bearing, Rev. Clutch Gear . . . . . 2 <i>(Part of Item 1)</i>	2	09	L98968	Asy., 1st Clutch Gear & Bearing . . . 1 <i>(Incl. Item 10)</i>	1
03	L98254	Spacer, Rev. Clutch Gear . . . . . 1 <i>(Part of Item 1)</i>	1	10	L98253	Bearing, Rev. Clutch Gear . . . . . 2 <i>(Part of Item 1)</i>	2
04	L98255	Asy., Fwd. Clutch Gear & Brg. . . . . 1 <i>(Incl. Items 5 &amp; 6)</i>	1	11	L98276	Asy., 2nd Clutch Gear & Bearing . . . 2 <i>(Incl. Item 12)</i>	2
05	L98253	Brg., Rev. Clutch Gear . . . . . 2 <i>(Part of Item 1)</i>	2	12	L98253	Bearing, Rev. Clutch Gear . . . . . 2 <i>(Part of Item 1)</i>	2
06	L98254	Spacer, Rev. Clutch Gear . . . . . 1 <i>(Part of Item 1)</i>	1	13	L98277	Gear, 3rd Driven. . . . . 1	1
07	L500407	Asy, 3rd Clutch Gear & Bearing . . . 1 <i>(Incl. Item 8)</i>	1	14	L98284	Gear, Output Shaft . . . . . 1	1
				15	L98955	Gear, Reverse Idler . . . . . 1	1
				16	L500409	Gear, 1st Driven . . . . . 1	1

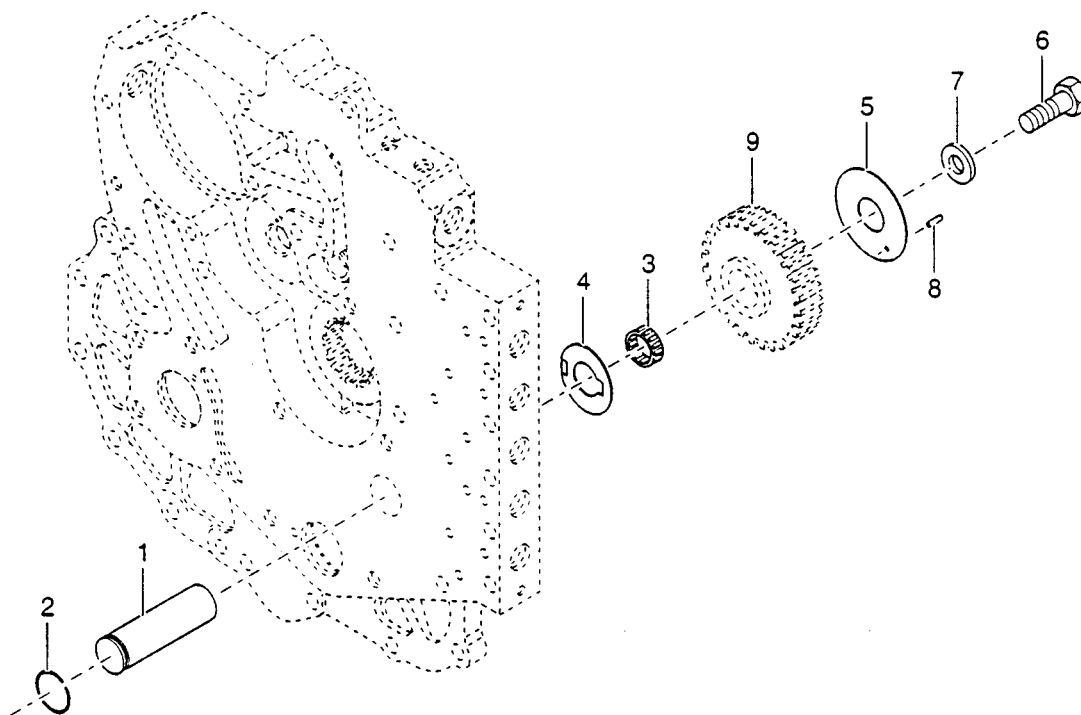
### Charge Pump Group



***Charge Pump Group***

<b>Ref. No.</b>	<b>Part No.</b>	<b>Description</b>	<b>Qty. Req.</b>	<b>Ref. No.</b>	<b>Part No.</b>	<b>Description</b>	<b>Qty. Req.</b>
01	L98220	Asy., Charging Pump . . . . .	1	10	L98214	Pin, Check Valve . . . . .	1
02	L99184	Assembly, Hyd. Spin Filter . . . . .	1	11	L98948	O-Ring . . . . .	1
03	L98953	Sleeve, Regulator Valve . . . . .	1	12	L98219	Gasket, Charging Pump . . . . .	1
04	L98950	Piston, Regulator Valve . . . . .	1	13	L99025	Screw, Pump Mounting . . . . .	4
05	L98951	Spring, Regulator Valve . . . . .	1	14	L99023	Screw, Pump Mounting . . . . .	1
06	L98224	Pin . . . . .	1	15	L99020	Lockwasher, Pump Mtg. Screw . . . . .	5
07	L98949	Asy., Ball Check Valve . . . . . <i>(Incl. Items 7 thru 11)</i>	1	16	L99027	Screw, Pump Mounting . . . . .	1
08	L98215	Ball . . . . .	1	17	L99029	Lockwasher, Pump Mtg. Screw . . . . .	1
09	L98216	Spring, Check Valve . . . . .	1	18	L98954	Asy., Regulator Valve . . . . . <i>(Incl. Items 3 thru 6)</i>	1

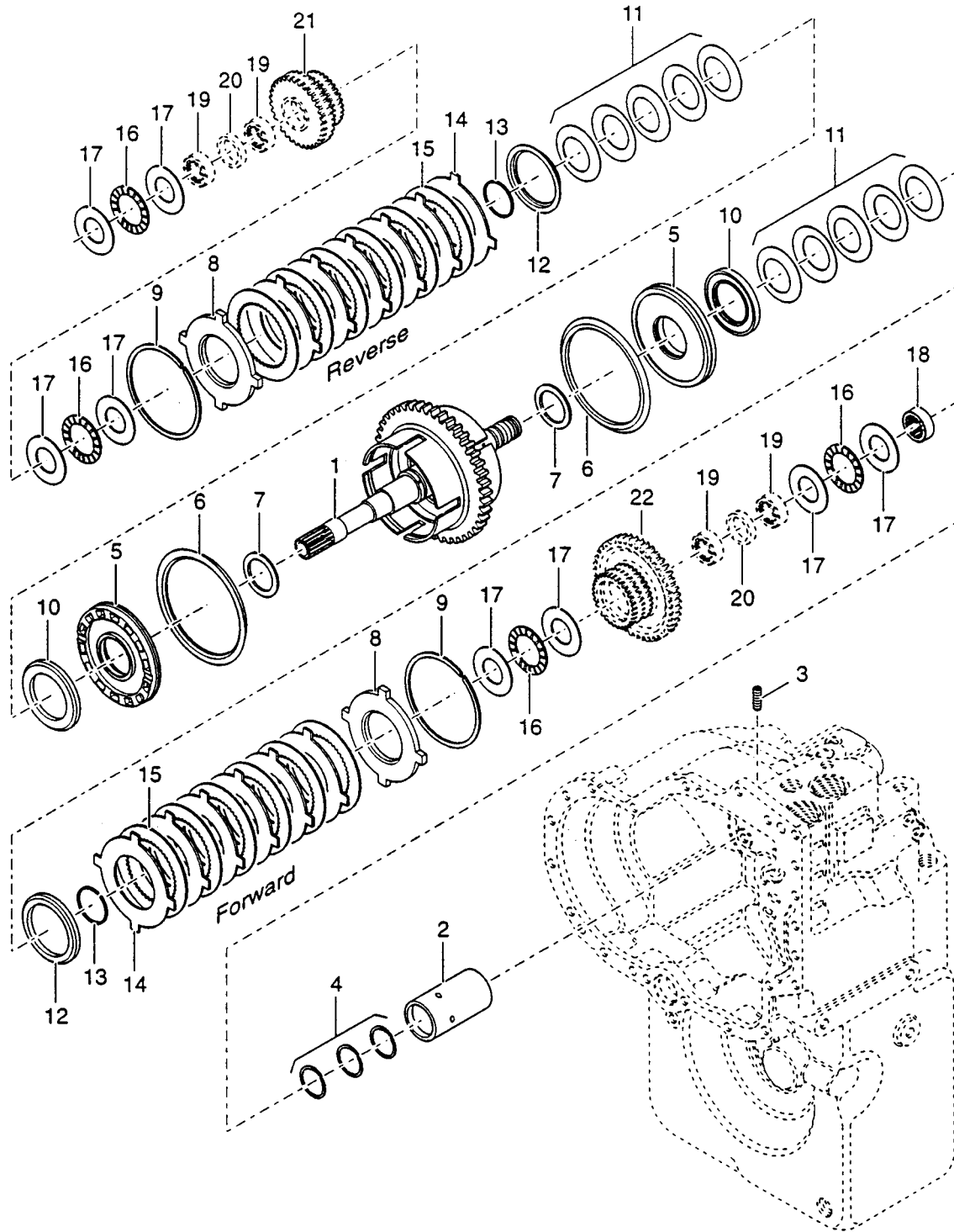
*Reverse Idler Group*



***Reverse Idler Group***

<b>Ref. No.</b>	<b>Part No.</b>	<b>Description</b>	<b>Qty. Req.</b>	<b>Ref. No.</b>	<b>Part No.</b>	<b>Description</b>	<b>Qty. Req.</b>
01	L98229	Shaft, Idler & Pilot . . . . .	1	06	L99031	Capscrew, Rev. Idler End Plate . . .	1
02	L98228	Snap Ring, Idler Shaft . . . . .	1	07	L99032	Washer, End Plate Capscrew . . . . .	1
03	L98231	Bearing, Reverse Idler Gear . . . . .	1	08	L98233	Roll Pin, End Plate to Shaft . . . . .	1
04	L98230	Washer, Thrust . . . . .	1	09		Reverse Idler Gear . . . . .	1
05	L98232	Plate, End . . . . .	1			(See Gear Group)	

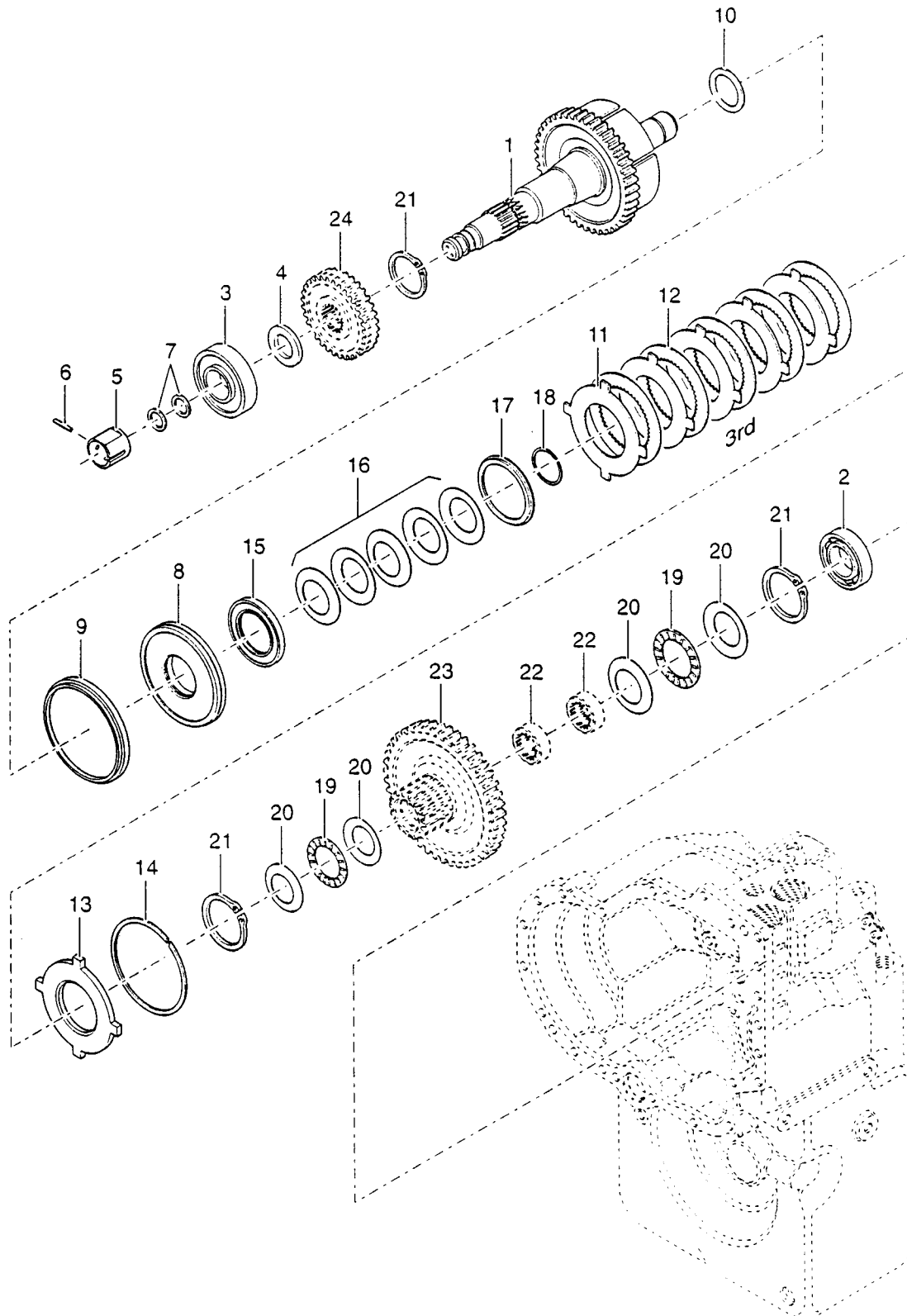
### Forward & Reverse Shaft Group



***Forward & Reverse Shaft Group***

<b>Ref. No.</b>	<b>Part No.</b>	<b>Description</b>	<b>Qty. Req.</b>	<b>Ref. No.</b>	<b>Part No.</b>	<b>Description</b>	<b>Qty. Req.</b>
01	L98248	Asy., Turbine Shaft Drum & Plug . . .	1	14	L98240	Disc, Outer (6 Fwd. - 6 Rev.) . . . .	12
02	L98251	Sleeve, Oil Distributor. . . . .	1	15	L98239	Disc, Inner (6 Fwd. - 6 Rev.) . . . .	12
03	L98252	Screw, Retainer . . . . .	1	16	L98236	Bearing, Clutch Gear Thrust . . . . .	4
04	L98250	Ring, Piston . . . . .	3	17	L98235	Washer, Clutch Gear Thrust . . . . .	8
05	L99278	Asy., Piston & Seals . . . . . <i>(Incl. Items 6 and 7)</i>	2	18	L98249	Bearing, Turbine Shaft Rear . . . . .	1
				19		Bearing, Clutch Gear . . . . . <i>(See Gear Group)</i>	4
06	L98246	Seal, Clutch Piston - Outer . . . . .	2			Spacer, Clutch Gear Bearing . . . . . <i>(See Gear Group)</i>	2
07	L98247	Seal, Clutch Piston - Inner . . . . .	2	20		Gear, Reverse Clutch . . . . . <i>(See Gear Group)</i>	1
08	L98238	Plate, End . . . . .	2	21		Gear, Forward Clutch . . . . . <i>(See Gear Group)</i>	1
09	L98237	Snap Ring, End Plate . . . . .	2	22			
10	L98244	Plate, Clutch Piston Wear . . . . .	2				
11	L98961	Asy., Disc Spring ( <i>Incl. 5 Washers</i> )	2				
12	L98242	Retainer, Snap Ring . . . . .	2				
13	L98241	Snap Ring, Retainer . . . . .	2				

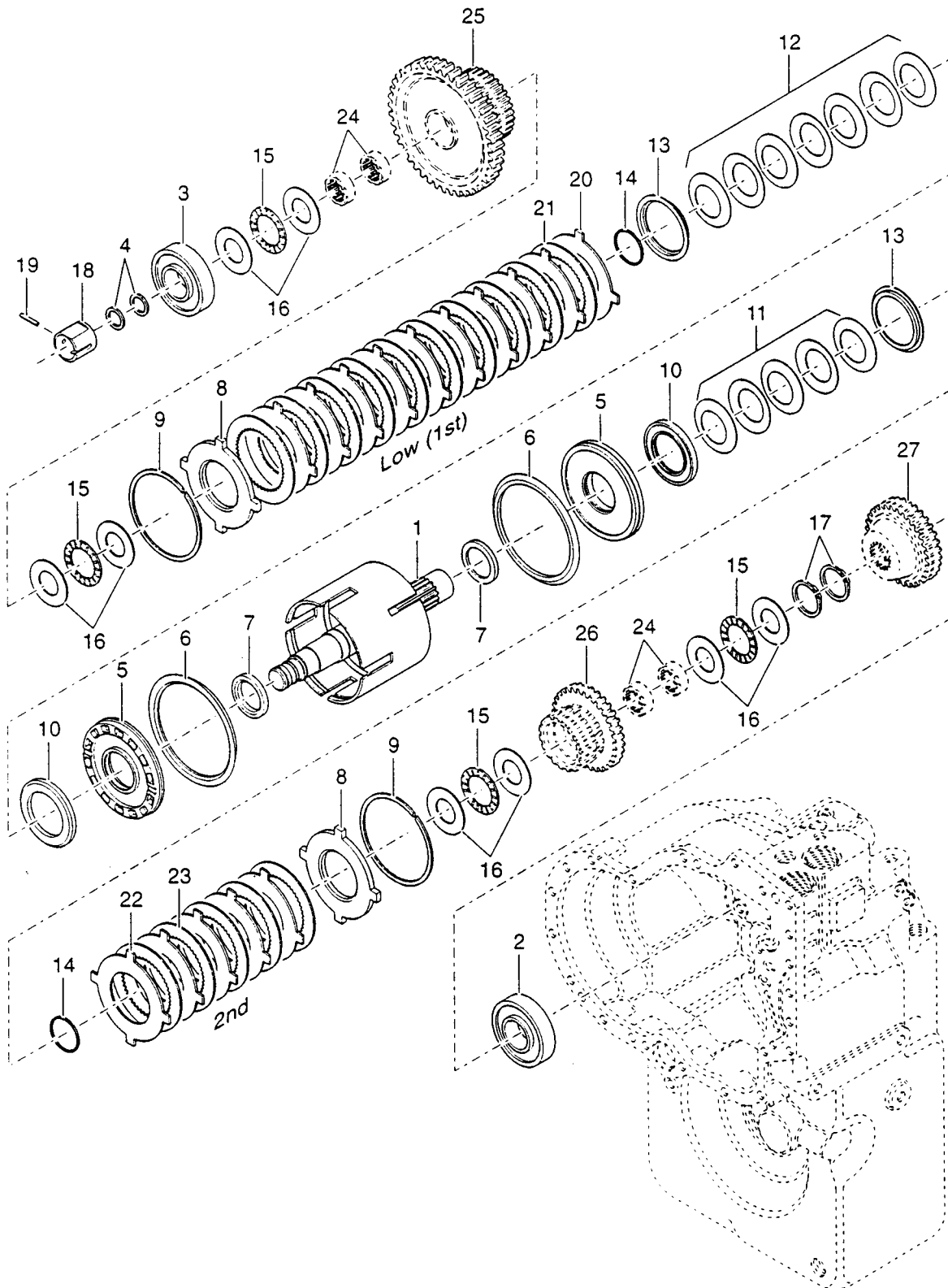
### 3rd Shaft Group



**3rd Shaft Group**

Ref. No.	Part No.	Description	Qty. Req.	Ref. No.	Part No.	Description	Qty. Req.
01	L500410	Asy., 3rd Shaft, Drum, & Plug . . . . .	1	13	L98238	Plate, End . . . . .	1
02	L500411	Bearing, Roller . . . . .	1	14	L98237	Snap Ring, End Plate . . . . .	1
03	L500273	Asy., Bearing & Seal . . . . .	1	15	L98244	Plate, Clutch Piston Wear . . . . .	1
04	L500412	Washer, Bearing Support . . . . .	1	16	L98961	Asy., Disc Spring ( <i>Incl. 5 washers</i> ) . . . . .	1
05	L98258	Sleeve, Oil Distributor . . . . .	1	17	L98242	Retainer, Snap Ring . . . . .	1
06	L98257	Screw, Sleeve Locating . . . . .	1	18	L98241	Snap Ring, Retainer . . . . .	1
07	L98250	Ring, Piston . . . . .	2	19	L500413	Bearing, Thrust Needle Roller . . . . .	2
08	L99279	Asy., Piston & Seals . . . . . ( <i>Incl. Items 9 and 10</i> )	1	20	L500414	Washer, Clutch Gear Thrust . . . . .	4
09	L98246	Seal, Clutch Piston-Outer . . . . . ( <i>Part of Item 8</i> )	1	21	L99696	Snap Ring, Retainer . . . . .	3
10	L98247	Seal, Clutch Piston-Inner . . . . . ( <i>Part of Item 8</i> )	1	22		Bearing, 3rd Clutch Gear . . . . .	2
11	L98240	Disc., Outer . . . . .	5			( <i>See Gear Group</i> )	
12	L98239	Disc, Inner . . . . .	5	23		Gear, 3rd Clutch . . . . .	1
						( <i>See Gear Group</i> )	
				24		Gear, First Drive . . . . .	1
						( <i>See Gear Group</i> )	

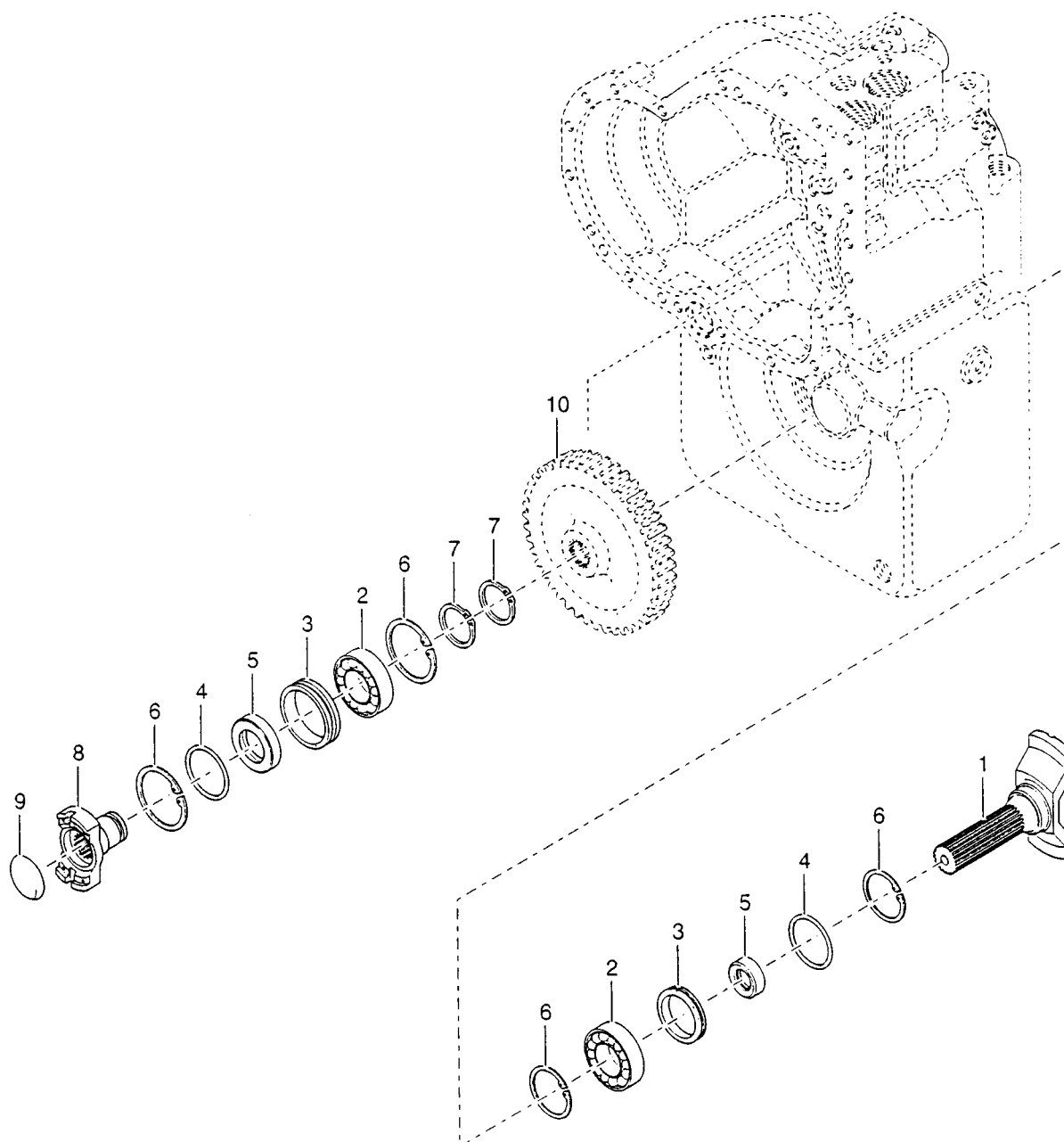
### 1st & 2nd Shaft Group



***1st & 2nd Shaft Group***

<b>Ref. No.</b>	<b>Part No.</b>	<b>Description</b>	<b>Qty. Req.</b>	<b>Ref. No.</b>	<b>Part No.</b>	<b>Description</b>	<b>Qty. Req.</b>
01	L500415	Asy., 1st & 2nd Shaft, Drum & Plug	1	16	L98235	Washer, Clutch Gear Thrust . . . . .	8
02	L98275	Bearing, Roller . . . . .	1	17	L98260	Snap Ring, 2nd Clutch Gear Hub . . . . .	2
03	L500273	Asy., Bearing & Seal . . . . .	1	18	L98272	Sleeve, Oil Distributor . . . . .	1
04	L98250	Ring, Piston . . . . .	2	19	L98257	Screw, Sleeve Locating . . . . .	1
05	L99038	Asy., Piston & Seals . . . . . <i>(Incl. Items 6 &amp; 7)</i>	2	20	L98240	Disc, Outer - 1st . . . . .	10
06	L98246	Seal, Clutch Piston - Outer . . . . .	2	21	L98239	Disc, Inner - 1st . . . . .	10
07	L98247	Seal, Clutch Piston - Inner . . . . .	2	22	L98240	Disc, Outer - 2nd . . . . .	5
08	L98238	Plate, End . . . . .	2	23	L98239	Disc, Inner - 2nd . . . . .	5
09	L98237	Snap Ring, End Plate . . . . .	2	24		Bearing, Clutch Gear . . . . . <i>(See Gear Group)</i>	4
10	L98244	Plate, Clutch Piston Wear . . . . .	2	25		Gear, 1st Clutch . . . . . <i>(See Gear Group)</i>	1
11	L98961	Asy., Disc Spring-2nd . . . . .	1	26		Gear, 2nd Clutch . . . . . <i>(See Gear Group)</i>	1
12	L500416	Asy., Disc Spring-1st . . . . .	1	27		Gear, 3rd Driven . . . . . <i>(See Gear Group)</i>	1
13	L98242	Retainer, Snap Ring . . . . .	2				
14	L98241	Snap Ring, Retainer . . . . .	2				
15	L98236	Brg., Clutch Gear Thrust . . . . .	4				

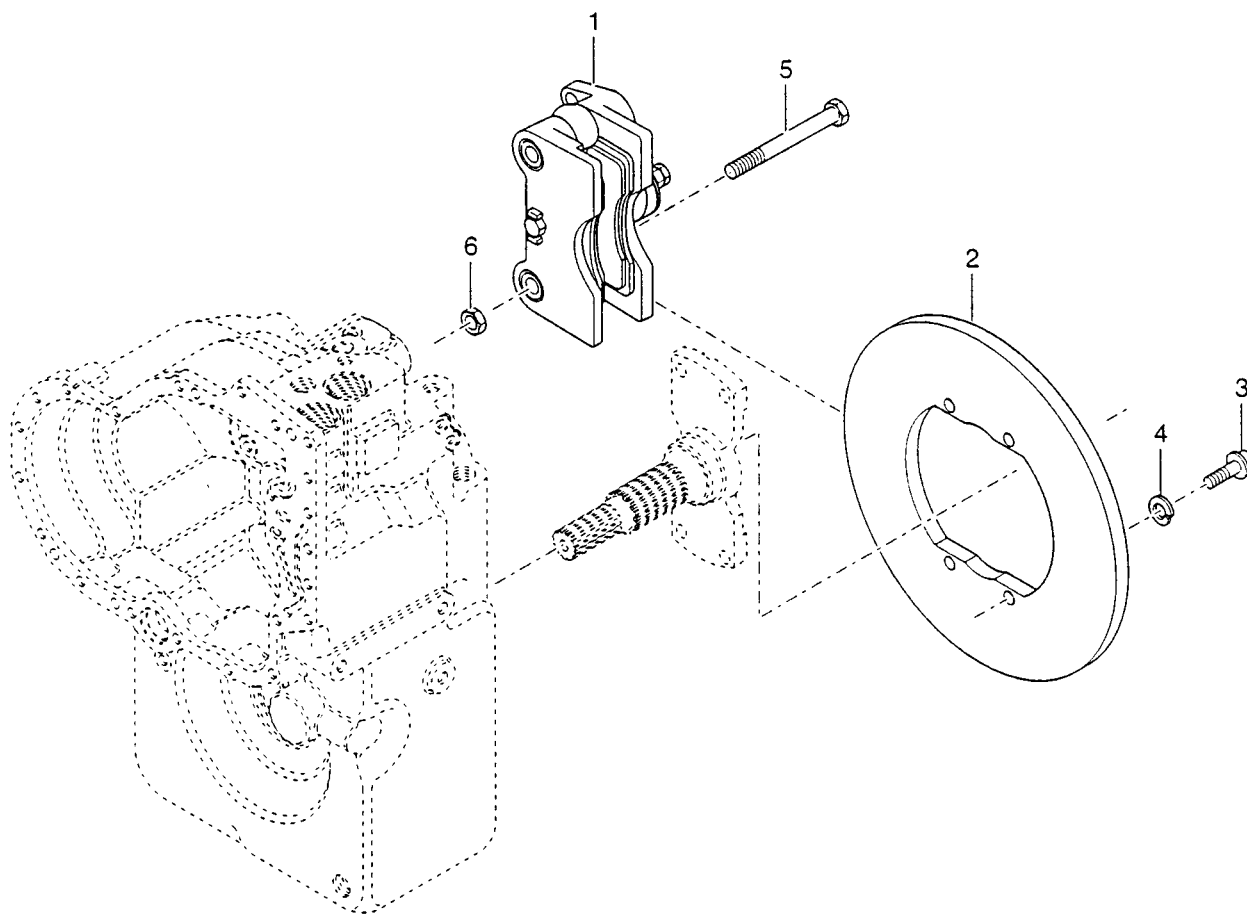
**Output Shaft Group**



***Output Shaft Group***

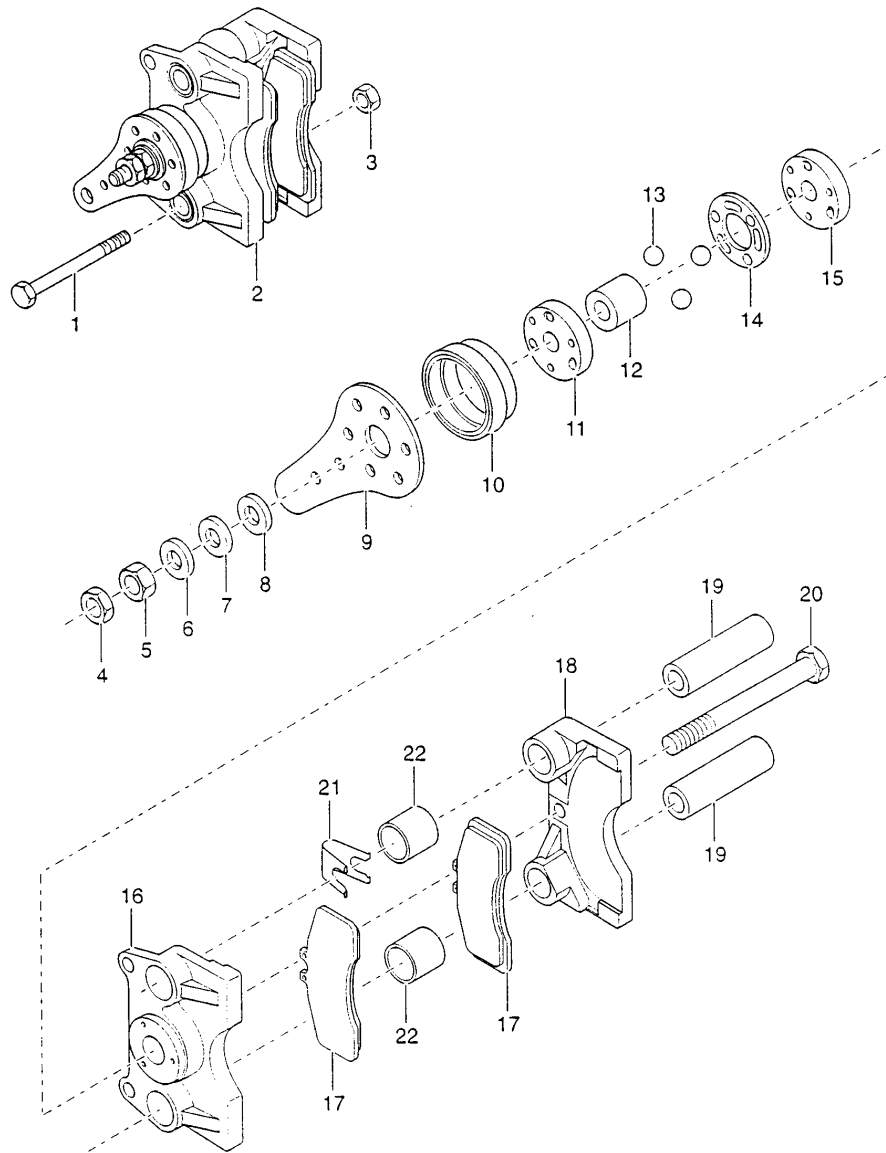
<b>Ref. No.</b>	<b>Part No.</b>	<b>Description</b>	<b>Qty. Req.</b>	<b>Ref. No.</b>	<b>Part No.</b>	<b>Description</b>	<b>Qty. Req.</b>
01	L500274	Shaft, Output . . . . .	1	08	L98279	Asy., Output Flange & Plug . . . . .	1
02	L98282	Bearing, Output Shaft. . . . .	2			<i>(Incl. Item 9)</i>	
03	L98281	Sleeve, Oil Seal . . . . .	2	09	L98278	Plug, Flange. . . . .	1
04	L98268	O-Ring, Oil Seal Sleeve . . . . .	2			<i>(Part of Item 8)</i>	
05	L96053	Seal, Output Shaft Oil. . . . .	2	10		Gear, Output Shaft . . . . .	1
06	L98264	Snap Ring, Output Shaft Brg. . . . .	4			<i>(See Gear Group)</i>	
07	L98266	Snap Ring, Gear & Brg. Retaining . . . . .	2				

**Disc Brake Group**



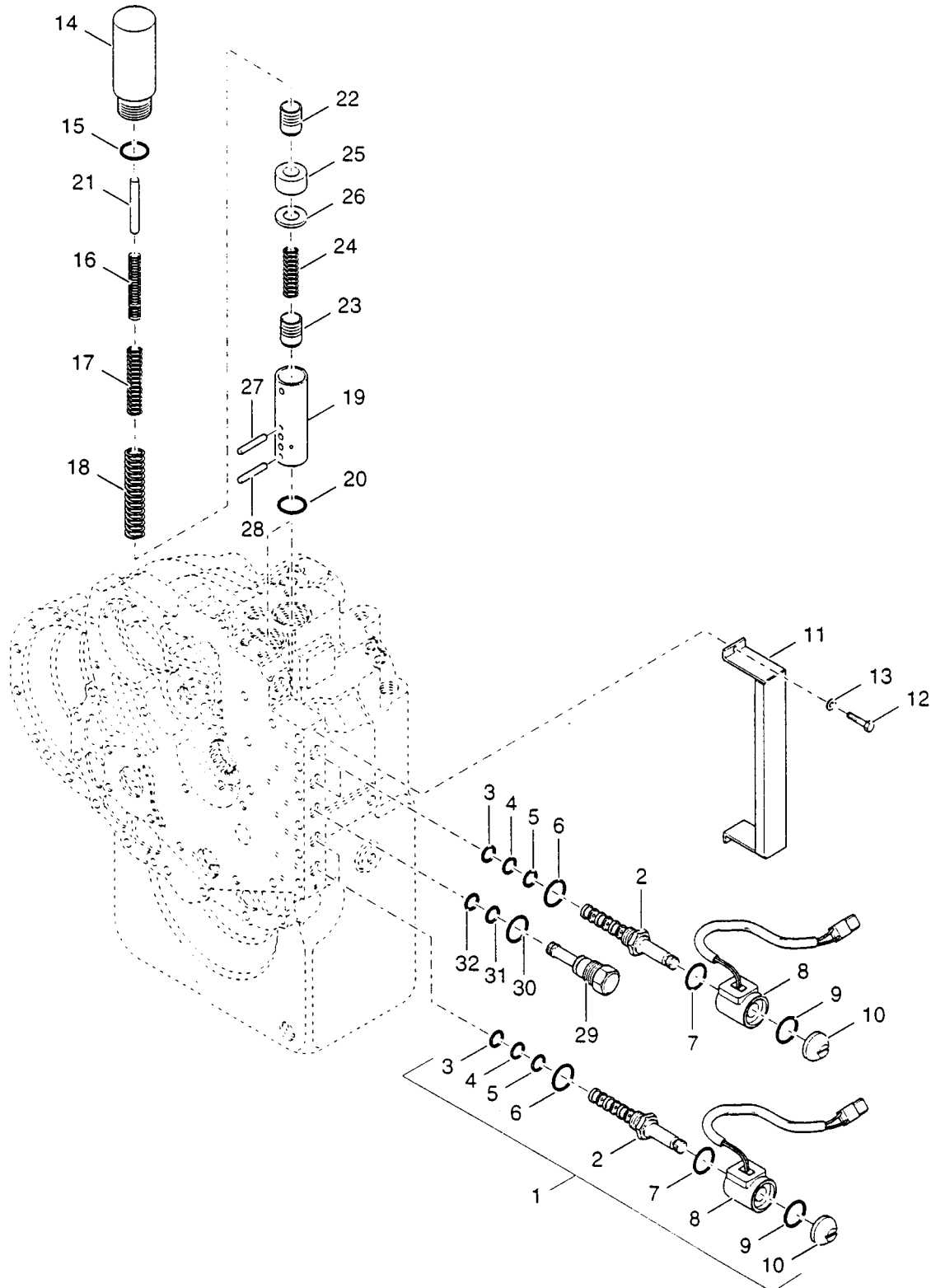
Ref. No.	Part No.	Description	Qty. Req.	Ref. No.	Part No.	Description	Qty. Req.
01	L500417	Asy., Caliper . . . . .	1	04	L98617	Lockwasher, Brake Disc Capscrew . . . . .	4
02	L98287	Disc, Brake . . . . .	1	05	L500418	Capscrew, Caliper Asy. Mntg. . . . .	2
03	L500276	Capscrew, Brake Disc . . . . .	4	06	L99040	Nut, Caliper Asy. Capscrew Lock . . . . .	2

### Brake Caliper Assembly



Ref. No.	Part No.	Description	Qty. Req.	Ref. No.	Part No.	Description	Qty. Req.
01		Brake Mounting Screw . . . . .	2	13	L99305	Ball . . . . .	3
		(See Disc Brake Group)		14	L99306	Plastic Retainer . . . . .	1
02	L500417	Brake Asy. (Incl Items 4 thru 22) . . .	1	15	L99304	Cam. . . . .	1
03		Brake Mntg Screw Nut . . . . .	2	16	NSS	Torque Plate Front (Part of Item 2) .	1
		(See Disc Brake Group)		17	NSS	Carrier & Lining Asy (See Item 23) .	2
04	L500419	Jam Adjusting Nut . . . . .	1	18	NSS	Torque Plate Rear (Part of Item 2) .	1
05	L500420	Adjusting Nut . . . . .	1	19	L500424	Mounting Sleeve . . . . .	2
06	L500421	Hardened Washer . . . . .	1	20	L500425	Adjusting Bolt. . . . .	1
07	L500422	Stainless Steel Washer. . . . .	1	21	NSS	Spring (See Item 23) . . . . .	1
08	NSS	Thrust Washer (See Item 24)		22	L500426	Sleeve Seal . . . . .	2
09	L500423	Lever . . . . .	1	23	L500427	Brake Asy. Lining Kit . . . . .	1
10	NSS	Boot (See Item 24)				(Inc. Items 17 & 21)	
11	L99304	Cam. . . . .	2	24	L500428	Hardware Parts Kit. . . . .	1
12	NSS	Id. Seal (See Item 24) . . . . .	1			(Incl. Items 8, 10, 12, & 23)	

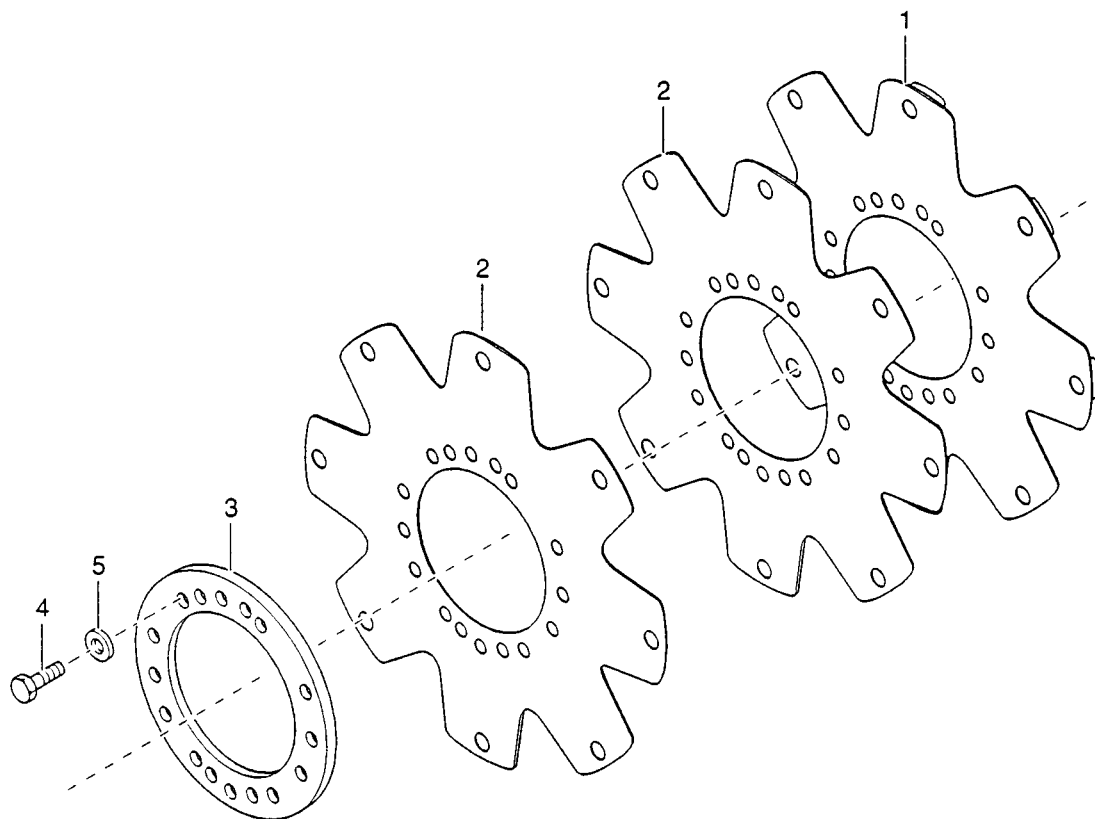
### Electric Control Group



***Electric Control Group***

<b>Ref. No.</b>	<b>Part No.</b>	<b>Description</b>	<b>Qty. Req.</b>	<b>Ref. No.</b>	<b>Part No.</b>	<b>Description</b>	<b>Qty. Req.</b>
01	L98960	Asy., Solenoid . . . . .	4	15	L98292	O-Ring, Modulator Housing . . . . .	1
		<i>(Incl. Items 2 thru 10)</i>		16	L500429	Spring, Inner . . . . .	2
02	L98314	Cartridge, Valve 4 Way . . . . .	4	17	L98295	Spring - Middle . . . . .	2
		<i>(Incl. Items 3 thru 6)</i>		18	L98304	Spring - Outer . . . . .	2
03	L98313	O-Ring, Cartridge <i>(Part of Item 2)</i> . . . . .	4	19	L98298	Sleeve, Modulation Valve . . . . .	2
04	L98312	O-Ring, Cartridge <i>(Part of Item 2)</i> . . . . .	4	20	L98307	O-Ring, Sleeve . . . . .	2
05	L98311	O-Ring, Cartridge <i>(Part of Item 2)</i> . . . . .	4	21	L98293	Pin, Stop . . . . .	2
06	L98310	O-Ring, Cartridge <i>(Part of Item 2)</i> . . . . .	4	22	L98303	Spool, Accumulator . . . . .	2
07	L98307	O-Ring, Coil to Cartridge . . . . .	4	23	L98958	Spool, Regulator . . . . .	2
		<i>(Part of Item 1)</i>		24	L98300	Spring, Modulator Valve . . . . .	2
08	L98308	Coil, Solenoid <i>(Part of Item 1)</i> . . . . .	4	25	L98302	Retainer, Spring . . . . .	2
09	L98307	O-Ring, Nut to Coil <i>(Part of Item 1)</i> . . . . .	4	26	L98301	Spacer, Spring . . . . .	2
10	L99036	Nut, Valve Cartridge Retainer . . . . .	4	27	L98956	Pin, Upper . . . . .	2
		<i>(Part of Item 1)</i>		28	L98957	Pin, Lower . . . . .	2
11	L98305	Cover, Protective . . . . .	1	29	L98315	Plug, Solenoid Bore . . . . .	1
12	L99035	Screw, Cover . . . . .	2	30	L98310	O-Ring, Plug . . . . .	1
13	L99034	Lockwasher, Cover Screw . . . . .	2	31	L98311	O-Ring, Plug . . . . .	1
14	L98291	Housing, Modulator Valve . . . . .	2	32	L98313	O-Ring, Plug . . . . .	1

**Drive Plate Group**



Ref. No.	Part No.	Description	Qty. Req.	Ref. No.	Part No.	Description	Qty. Req.
01	NSS	Asy., Drive Plate . . . . .	1	04	L99785	Screw, Drive Plate Mounting . . . . .	6
		<i>(Incl. in Item 6)</i>		05	L99030	Lockwasher, Mounting Screw . . . . .	6
02	NSS	Plate, Drive . . . . .	2	06	L98317	Kit, Drive Plate . . . . .	1
		<i>(Incl. in Item 6)</i>				<i>(Incl. Items 1 thru 5)</i>	
03	L98316	Ring, Drive Plate Backing . . . . .	1				

***Numerical Index***

<b>Part No.</b>	<b>Page No.</b>	<b>Ref. No.</b>	<b>Part No.</b>	<b>Page No.</b>	<b>Ref. No.</b>	<b>Part No.</b>	<b>Page No.</b>	<b>Ref. No.</b>	<b>Part No.</b>	<b>Page No.</b>	<b>Ref. No.</b>
L500273	17	03	L98204	6	02	L98247	19	07	L98312	25	04
L500273	19	03	L98205	6	14	L98248	15	01	L98313	25	03
L500274	21	01	L98211	7	05	L98249	15	18	L98313	25	32
L500276	22	03	L98212	7	07	L98250	19	04	L98314	25	02
L500404	5	01	L98214	11	10	L98250	15	04	L98315	25	29
L500405	5	10	L98215	11	08	L98250	17	07	L98316	26	03
L500406	5	32	L98216	11	09	L98251	15	02	L98317	26	06
L500407	9	07	L98217	5	15	L98252	15	03	L98617	22	04
L500408	9	08	L98218	5	14	L98253	9	02	L98734	5	27
L500409	9	16	L98219	11	12	L98253	9	05	L98735	5	28
L500410	17	01	L98220	11	01	L98253	9	10	L98926	5	07
L500411	17	02	L98224	11	06	L98253	9	12	L98927	5	06
L500412	17	04	L98226	5	13	L98254	9	03	L98932	5	12
L500413	17	19	L98228	13	02	L98254	9	06	L98935	5	11
L500414	17	20	L98229	13	01	L98255	9	04	L98938	3	14
L500415	19	01	L98230	13	04	L98257	17	06	L98942	7	06
L500416	19	12	L98231	13	03	L98257	19	19	L98943	7	04
L500417	22	01	L98232	13	05	L98258	17	05	L98944	7	03
L500417	23	02	L98233	13	08	L98260	19	17	L98945	7	01
L500418	22	05	L98235	15	17	L98264	21	06	L98947	7	02
L500419	23	04	L98235	19	16	L98266	21	07	L98948	11	11
L500420	23	05	L98236	15	16	L98268	21	04	L98949	11	07
L500421	23	06	L98236	19	15	L98272	19	18	L98950	11	04
L500422	23	07	L98237	15	09	L98275	19	02	L98951	11	05
L500423	23	09	L98237	17	14	L98276	9	11	L98953	11	03
L500424	23	19	L98237	19	09	L98277	9	13	L98954	11	18
L500425	23	20	L98238	15	08	L98278	21	09	L98955	9	15
L500426	23	22	L98238	17	13	L98279	21	08	L98956	25	27
L500427	23	23	L98238	19	08	L98281	21	03	L98957	25	28
L500428	23	24	L98239	15	15	L98282	21	02	L98958	25	23
L500429	25	16	L98239	17	12	L98284	9	14	L98960	25	01
L94824	5	02	L98239	19	21	L98287	22	02	L98961	15	11
L96015	3	02	L98239	19	23	L98291	25	14	L98961	17	16
L96015	3	05	L98240	15	14	L98292	25	15	L98961	19	11
L96015	5	17	L98240	17	11	L98293	25	21	L98962	9	01
L96053	21	05	L98240	19	20	L98295	25	17	L98968	9	09
L97525	6	10	L98240	19	22	L98298	25	19	L99013	5	04
L97526	6	11	L98241	15	13	L98300	25	24	L99018	5	19
L98176	5	09	L98241	17	18	L98301	25	26	L99020	11	15
L98184	5	22	L98241	19	14	L98302	25	25	L99023	11	14
L98185	5	08	L98242	15	12	L98303	25	22	L99025	11	13
L98189	6	09	L98242	17	17	L98304	25	18	L99027	11	16
L98191	6	13	L98242	19	13	L98305	25	11	L99029	11	17
L98194	6	07	L98244	15	10	L98307	25	07	L99029	3	11
L98197	6	03	L98244	17	15	L98307	25	09	L99029	3	13
L98198	6	15	L98244	19	10	L98307	25	20	L99029	5	21
L98199	6	12	L98246	15	06	L98308	25	08	L99030	26	05
L98200	6	06	L98246	17	09	L98310	25	06	L99031	13	06
L98201	6	04	L98246	19	06	L98310	25	30	L99032	13	07
L98202	6	05	L98247	15	07	L98311	25	05	L99034	25	13
L98203	6	01	L98247	17	10	L98311	25	31	L99035	25	12

*Numerical Index*

Part No.	Page No.	Ref. No.	Part No.	Page No.	Ref. No.	Part No.	Page No.	Ref. No.
L99036	25	10	L99262	3	07	L99294	5	33
L99038	19	05	L99262	5	25	L99294	5	35
L99040	22	06	L99270	5	26	L99295	5	36
L99045	5	20	L99274	5	23	L99296	5	37
L99184	11	02	L99278	15	05	L99304	23	11
L99246	3	04	L99279	17	08	L99304	23	15
L99246	5	16	L99284	3	03	L99305	23	13
L99246	5	24	L99284	3	06	L99306	23	14
L99249	3	15	L99284	5	18	L99312	5	30
L99251	5	03	L99285	3	08	L99313	6	08
L99253	5	05	L99285	5	34	L99696	17	21
L99260	3	09	L99286	3	01	L99785	26	04
L99260	3	12	L99287	5	29			
L99261	3	10	L99288	5	31			



# GEHL®

**GEHL Company** 143 Water Street, P.O. Box 179, West Bend, WI 53095-0179 U.S.A.

**GEHL<sup>®</sup> CONSTRUCTION**

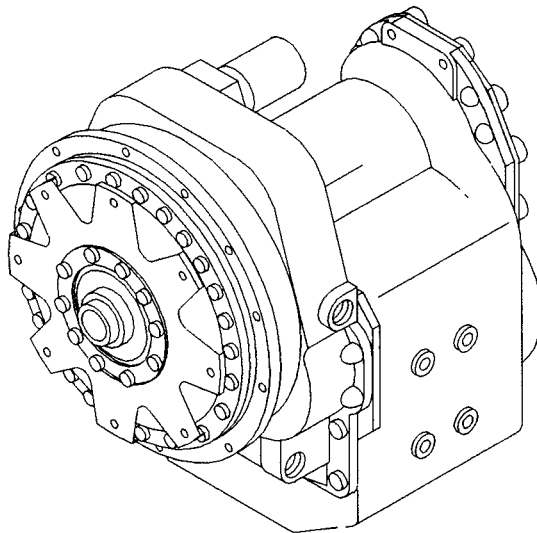
---

# **T18000**

## **Clark**

### **Transmission**

**Model No.**  
**12.2HR18313-2**



# **SERVICE PARTS**



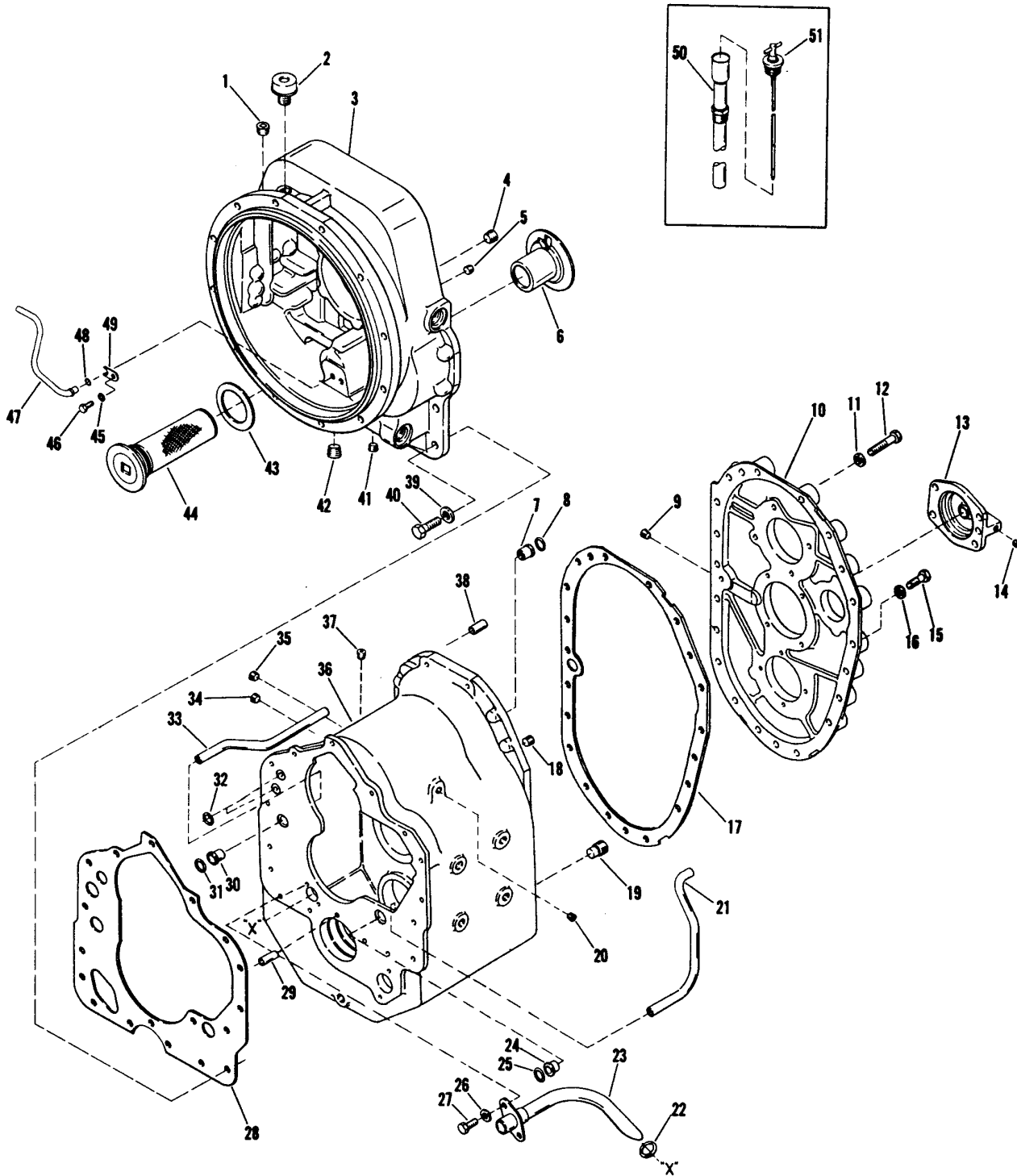
Section Contents . . . . . **12-1**  
\_\_\_\_\_ - Special Parts Group . . . . . **12-3**  
266078 - Case & Cover Group . . . . . **12-4**  
234402 - Turbine Shaft/Baffle Group . . . . . **12-6**  
234456 - Drive Plate Group . . . . . **12-7**  
265893 - Converter Assembly . . . . . **12-8**  
234404 - Auxiliary Pump Drive Group . . . . . **12-10**  
234405 - Charging Pump Drive Group . . . . . **12-11**  
238330 - Reverse & 2nd Shaft Group . . . . . **12-12**  
237526 - Low Speed Shaft Group . . . . . **12-14**  
238331 - Forward Shaft Group . . . . . **12-16**  
265424 - Reverse Idler Group . . . . . **12-18**  
265771 - 3rd Shaft Clutch Group . . . . . **12-20**  
266079 - Output Shaft Group . . . . . **12-23**  
231141 - Parking Brake Group . . . . . **12-24**  
237528 - Charge Pump/Filter Assembly Group . . . . . **12-26**  
234436 - Control Valve Group . . . . . **12-28**  
Numerical Index . . . . . **12-30**

**This Page Intentionally Blank**

***Special Parts Group***

<b>Ref. No.</b>	<b>Part No.</b>	<b>Description</b>	<b>Qty. Req.</b>	<b>Ref. No.</b>	<b>Part No.</b>	<b>Description</b>	<b>Qty. Req.</b>
<b><u>PAGE 12/13</u></b>				<b><u>PAGE 20/21</u></b>			
35	L98739	Rev. Clutch Gear & Ret. Ring Asy. (Incl. Item 36) . . . . .	1	32	L97572	3rd Gear, Hub & Ret. Ring Asy (Incl. Item 33). . . . .	1
36	L98509	Retaining Ring . . . . .	1	33	L98509	Retaining Ring . . . . .	1
<b><u>PAGE 14/15</u></b>							
29	L98739	Low Shaft Gear, Hub & Ret. Ring Asy. (Incl. Item 30) . . . . .	1				
30	L98509	Retaining Ring . . . . .	1				

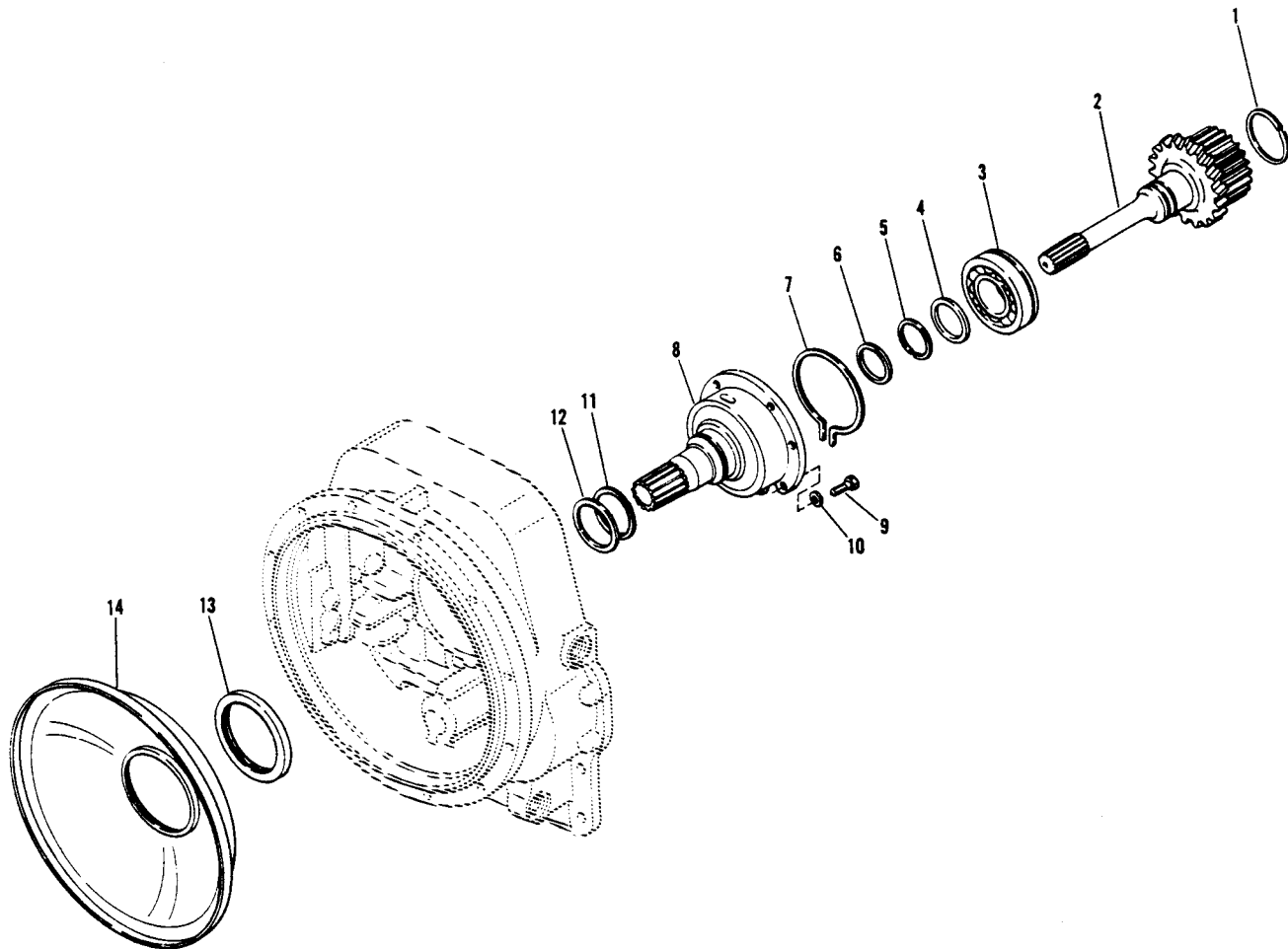
Case & Cover Group



**Case & Cover Group**

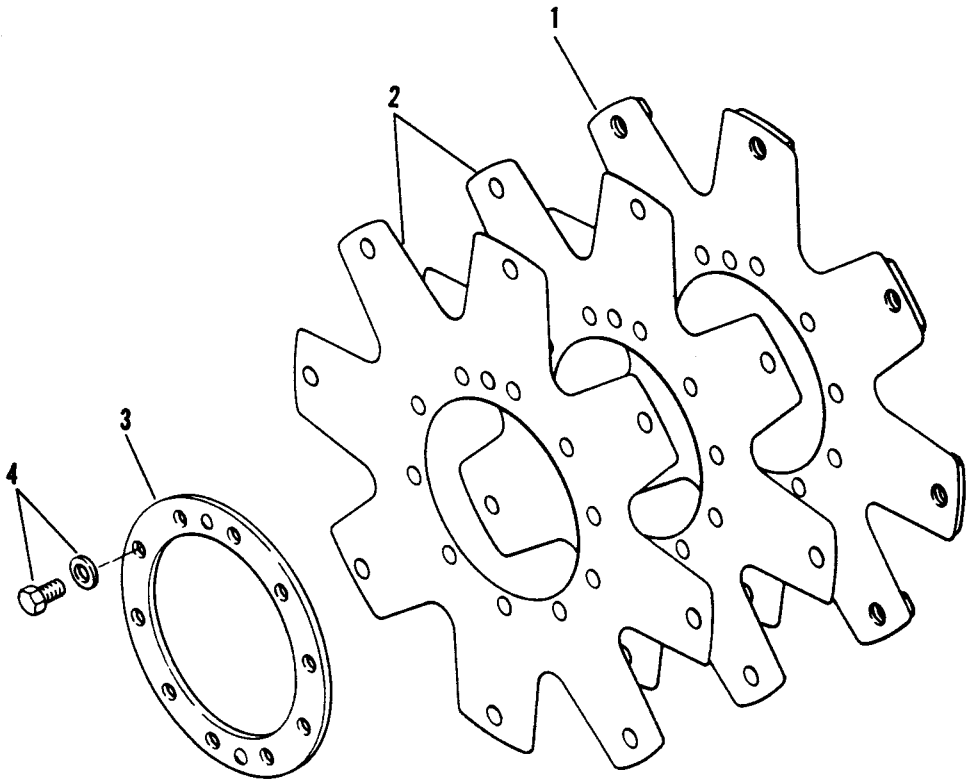
Ref. No.	Part No.	Description	Qty. Req.	Ref. No.	Part No.	Description	Qty. Req.
01	L99262	Pipe Plug . . . . .	1	24	L94830	Tube Sleeve . . . . .	1
02	L94824	Air Breather . . . . .	1	25	L97722	Pressure Tube "0" Ring . . . . .	1
03	L97504	Converter Housing . . . . .	1	26	L99022	Retainer Screw Lockwasher . . . . .	2
04	L99347	Pipe Plug . . . . .	1	27	L99348	Suction Line Retainer Screw . . . . .	2
05	L97508	Pipe Plug . . . . .	1	28	L97506	Converter Housing to Trans. Case Gasket . . . . .	1
06	L94819	Converter Housing Sleeve . . . . .	1	29	L94840	Dowel Pin . . . . .	1
07	L94814	Tube Sleeve . . . . .	1	30	L94814	Tube Sleeve . . . . .	1
08	L97722	Pressure Tube "0" Ring . . . . .	1	31	L97722	Pressure Tube "0" Ring . . . . .	1
09	L97508	Cover Pipe Plug . . . . .	1	32	L94748	Clutch Pressure "0" Ring . . . . .	1
10	L97499	Rear Cover & Plug Ass'y. . . . . (Incl. Item #9)	1	33	L94802	Low Speed Clutch Pressure Tube. . . . .	1
11	L99345	Rear Cover to Case Screw . . . . . Lockwasher. . . . .	1 10	34	L99262	Pipe Plug . . . . .	1
12	L99346	Rear Cover to Case Screw . . . . .	10	35	L99349	Pipe Plug . . . . .	1
13	L97500	Shaft Rear Bearing Cap Ass'y. . . . . (Incl. Item#14)	1	36	L97507	Trans. Case Asy. . . . . (Incl. Items 7,21-24,26,27,30,33)	1
14	L96015	Plug (Incl. in Item #13) . . . . .	1	37		See Items 50 & 51	
15	L99346	Rear Cover to Case Screw . . . . .	10	38	L94840	Case to Cover Dowel Pin . . . . .	2
16	L99345	Rear Cover to Case Screw Lockwasher. . . . .	10	39	L99345	Housing to Case Screw Lockwasher. . . . .	16
17	L97501	Rear Cover to Case Gasket . . . . .	1	40	L99350	Housing to Case Screw . . . . .	16
18	L99262	Pipe Plug . . . . .	1	41	L97508	Pipe Plug . . . . .	1
19	L99253	Magnetic Drain Plug . . . . .	2	42	L99347	Pipe Plug . . . . .	1
20	L99274	Pipe Plug . . . . .	1	43	L94818	Screen Asy. Gasket . . . . .	1
21	L97502	Clutch Lube Tube . . . . .	1	44	L94817	Screen Asy. . . . .	1
22	L97503	Suction Line "0" Ring . . . . .	1	45 thru 49		<i>Not Used On This Model</i>	
23	L97505	Suction Tube Assembly . . . . .	1	50	L98734	Dipstick Tube Asy. . . . .	1
				51	L97508	Dipstick . . . . .	1

**Turbine Shaft/Baffle Group**



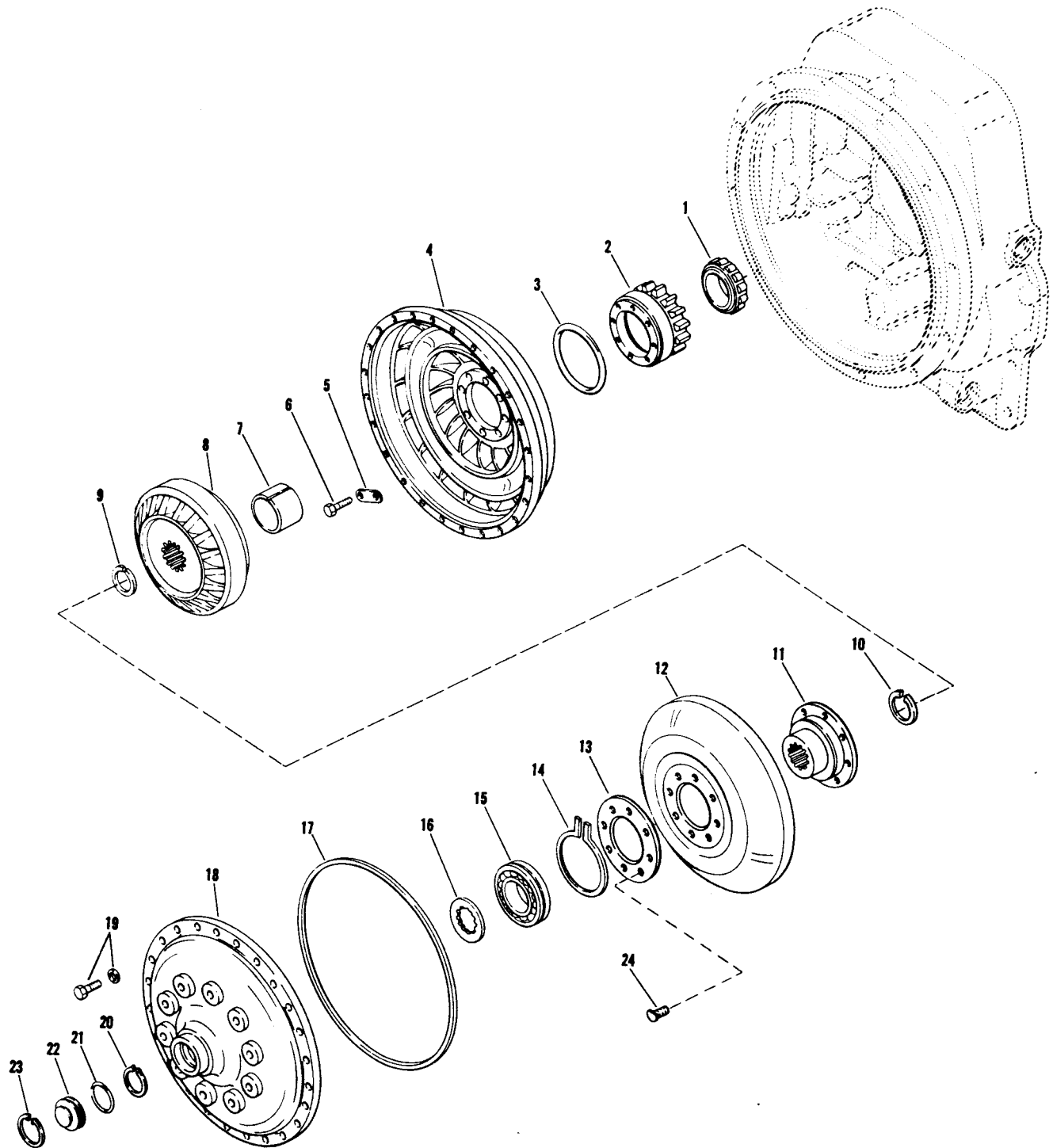
Ref. No.	Part No.	Description	Qty. Req.	Ref. No.	Part No.	Description	Qty. Req.
01	L97509	Retaining Ring . . . . .	1	08	L97513	Stator Support . . . . .	1
		(Incl. in Item #2)		09	L99351	Stator Support Screw . . . . .	6
02	L97510	Turbine Shaft & Ret. Ring Asy. . . . .	1	10	L99030	Stator Support Screw Lockwasher. . . . .	6
		(Incl. Item #1)		11	L94773	Piston Ring Expander Spring . . . . .	1
03	L97511	Turbine Shaft Bearing. . . . .	1	12	L94772	Piston Ring . . . . .	1
04	L94767	Bearing Locating Washer . . . . .	1	13	L97514	Oil Seal . . . . .	1
05	L94768	Bearing Retaining Ring. . . . .	1	14	L94774	Oil Baffle Assembly . . . . .	1
06	L94769	Piston Ring . . . . .	1				
07	L94770	Bearing Snap Ring. . . . .	1				

Drive Plate Group



Ref. No.	Part No.	Description	Qty. Req.	Ref. No.	Part No.	Description	Qty. Req.
01	L97515	Driveplate Assy Kit . . . . .	1	03	L97516	Driveplate Backing Ring . . . . .	1
		(Incl. Items 2,3 & 4)		04	L99333	Driveplate Mounting Screw . . . . .	10
02	NSS	Driveplate (Incl. in Item #1) . . . . .	1		L99030	Lockwasher . . . . .	10

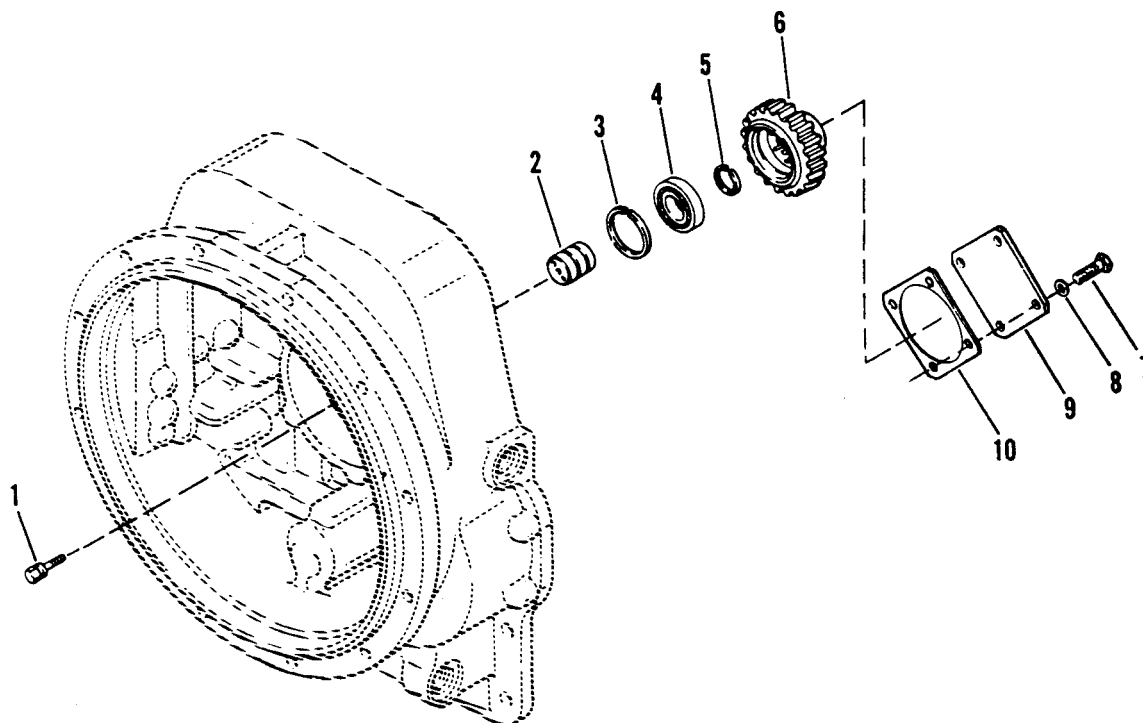
### Converter Assembly



***Converter Assembly***

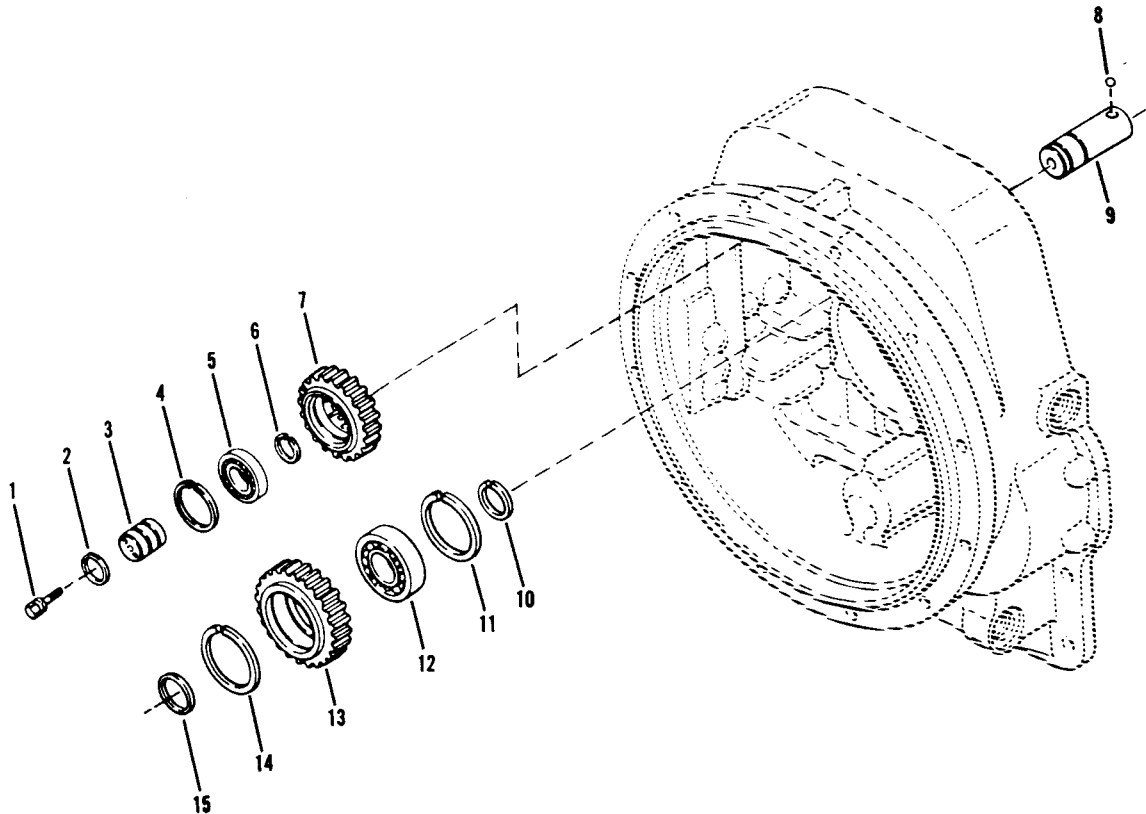
<b>Ref. No.</b>	<b>Part No.</b>	<b>Description</b>	<b>Qty. Req.</b>	<b>Ref. No.</b>	<b>Part No.</b>	<b>Description</b>	<b>Qty. Req.</b>
01	L94782	Impeller Hub Gear Brg. . . . .	1	13	L97522	Turbine to Hub Screw Ring. . . . .	1
02	L94783	Impeller Hub Gear . . . . .	1	14	L94793	Turbine Hub Brg. Locating Ring . . .	1
03	L94784	Impeller Hub "0" Ring . . . . .	1	15	L94794	Turbine Hub Bearing . . . . .	1
04	L97518	Impeller . . . . .	1	16	L94796	Bearing Retaining Washer . . . . .	1
05	L94786	Impeller to Hub Screw Lock Tab. . .	4	17	L97523	Impeller to Cover "0" Ring . . . . .	1
06	L99352	Impeller to Hub Screw . . . . .	8	18	L97524	Impeller Cover (Include Item 23) . . .	1
07	L94787	Impeller to Hub Brg. Spacer . . . . .	1	19	L99353	Impeller to Cover Screw & Lockwasher . . . . .	24
08	L97519	Reaction Member . . . . .	1				
09	L94789	Retaining Ring . . . . .	1	20	L94790	Turbine Retaining Ring . . . . .	1
10	L94790	Turbine Retaining Ring . . . . .	1	21	L97525	Impeller Cover Bore Plug "0" Ring. .	1
11	L97520	Turbine Hub . . . . .	1	22	L98189	Bore Plug . . . . .	1
12	L97521	Turbine . . . . .	1	23	L97526	Bore Plug Retaining Ring . . . . .	1
				24	L98658	Turbine to Hub Screw . . . . .	12

**Auxiliary Pump Drive Group**



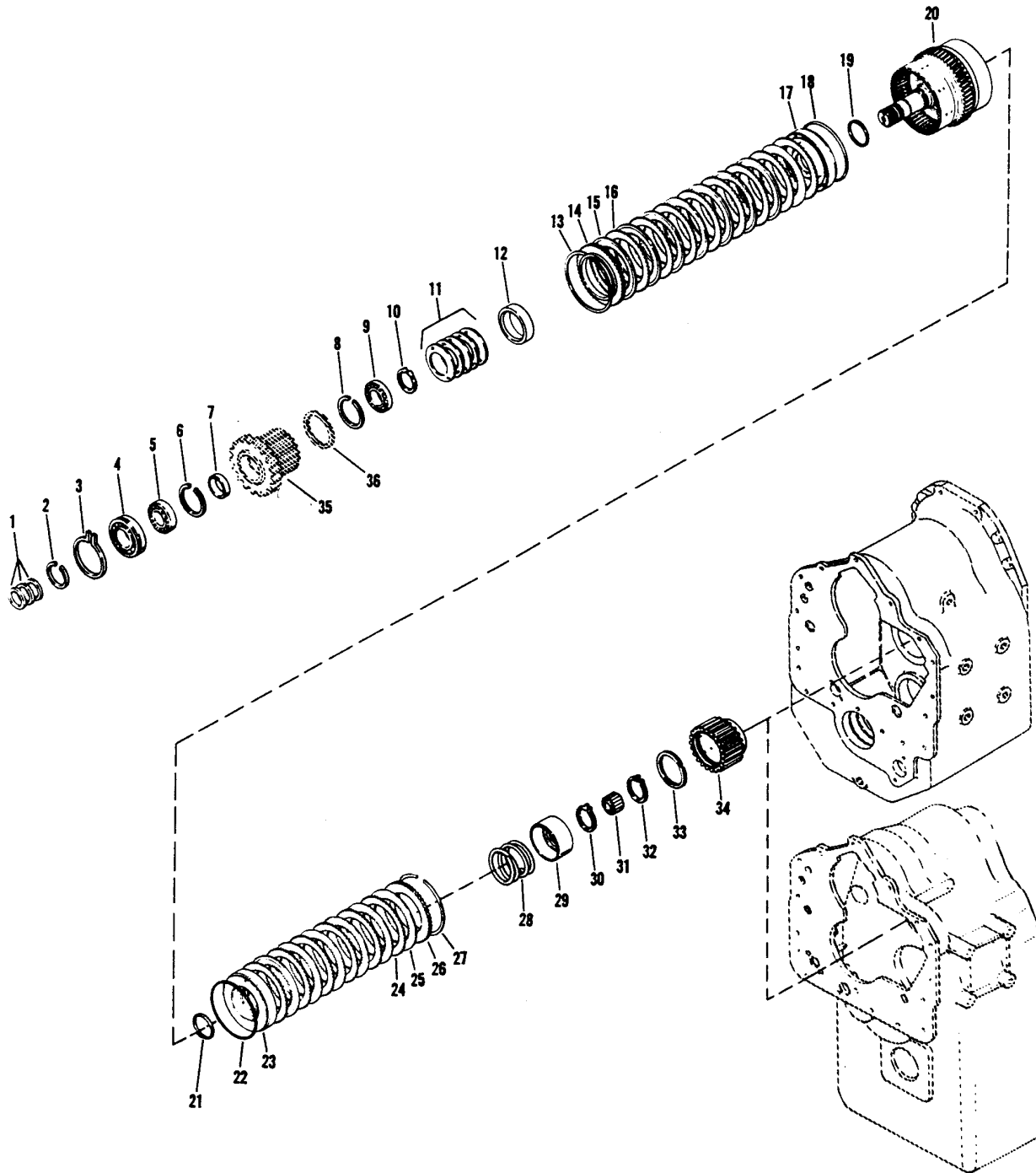
Ref. No.	Part No.	Description	Qty. Req.	Ref. No.	Part No.	Description	Qty. Req.
01	L99357	Bearing Support Screw & Lockwasher. . . . .	2	06	L97527	Auxiliary Pump Drive Gear . . . . .	1
02	L94752	Auxiliary Pump Drive Bearing Support . . . . .	1	07	L99354	Pump Mtg. Cover Capscrew. . . . .	2
03	L94758	Bearing Retaining Ring. . . . .	1	08	L99355	Pump Mtg. Cover Capscrew Lockwasher. . . . .	2
04	L94760	Pump Drive Gear Bearing . . . . .	1	09	L99356	Pump Mtg. Cover . . . . .	1
05	L94751	Bearing Locating Ring . . . . .	1	10		<i>Not Used On This Model</i>	

### Charging Pump Drive Group



Ref. No.	Part No.	Description	Qty. Req.	Ref. No.	Part No.	Description	Qty. Req.
01	L99357	Bearing Support Screw & Lockwasher. . . . .	2	08	L94764	Stub Shaft Lock Ball . . . . .	1
02	L94751	Bearing Locating Ring . . . . .	1	09	L94763	Idler Gear Stub Shaft . . . . .	1
03	L94752	Pump Drive Bearing Support . . . . .	1	10	L94751	Bearing Locating Ring . . . . .	1
04	L94753	Bearing Retaining Ring. . . . .	1	11	L94758	Bearing Retaining Ring. . . . .	1
05	L94754	Pump Drive Gear Bearing . . . . .	1	12	L94760	Idler Stub Shaft Bearing . . . . .	1
06	L94751	Bearing Locating Ring . . . . .	1	13	L94759	Pump Drive Idler Gear . . . . .	1
07	L94756	Pump Drive Gear . . . . .	1	14	L94758	Idler Gear Bearing Ret. Ring . . . . .	1
				15	L94751	Idler Gear Brg. Locating Ring . . . . .	1

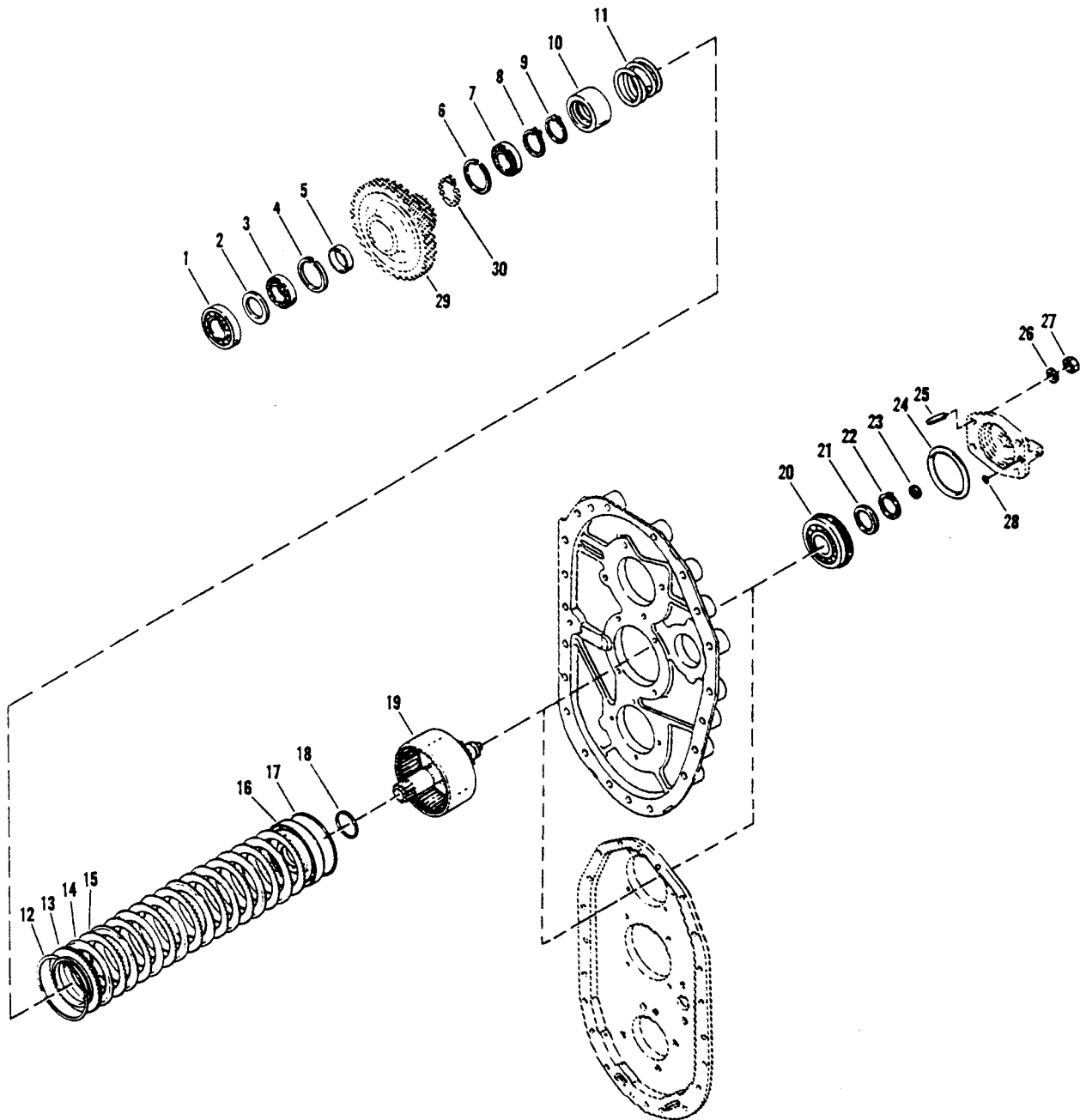
*Reverse & 2nd Shaft Group*



**Reverse & 2nd Shaft Group**

Ref. No.	Part No.	Description	Qty. Req.	Ref. No.	Part No.	Description	Qty. Req.
01	L94867	Rev. & 2nd Shaft Piston Ring . . . . .	3	21	L96066	Inner Clutch Piston Seal . . . . .	1
02	L94868	Front Bearing Retaining Ring . . . . .	1	22	L96065	Outer Clutch Piston Seal . . . . .	1
03	L94869	Front Bearing Snap Ring . . . . .	1	23	L96077	Clutch Piston . . . . .	1
04	L94862	Rev. & 2nd Shaft Front Brg. . . . .	1	24	L96063	Clutch Outer Disc . . . . .	6
05	L94861	Clutch Driven Gear Bearing . . . . .	1	25	L96062	Clutch Inner Disc . . . . .	6
06	L94857	Bearing Retaining Ring . . . . .	1	26	L96061	Clutch Disc Backing Plate . . . . .	1
07	L94859	Clutch Driven Gear Brg. Spacer . . .	1	27	L96060	Backing Plate Snap Ring . . . . .	1
08	L94857	Bearing Retaining Ring . . . . .	1	28	L94851	Piston Return Spring . . . . .	1
09	L94856	Clutch Driven Gear Bearing . . . . .	1	29	L94850	Spring Retainer . . . . .	1
10	L94855	Spring Retainer Snap Ring . . . . .	1	30	L94849	Spring Retainer Snap Ring . . . . .	1
11	L94854	Piston Return Belleville Springs . . .	5	31	L94848	Rev. & 2nd Shaft Rear Bearing . . .	1
12	L94841	Piston Return Spring Spacer . . . . .	1	32	L94847	2nd Clutch Disc Hub Snap Ring . . .	1
13	L96060	Backing Plate Snap Ring . . . . .	1	33	L97509	Ret. Ring (Incl. in Item #34) . . . . .	1
14	L96061	Clutch Disc Backing Plate . . . . .	1	34	L97530	2nd Clutch Disc Hub & Ret. Ring Asy. (Incl. Item #33) . . . .	1
15	L96062	Clutch Inner Disc . . . . .	8	35	L98739	Rev. Clutch Gear & Ret. Ring Asy. (Incl. Item #36) . . . . .	1
16	L96063	Clutch Outer Disc . . . . .	8			<i>See Special Parts Section</i>	
17	L96075	Clutch Piston . . . . .	1	36	L97509	Retaining Ring (Incl. in Item 35) . . .	1
18	L96065	Outer Clutch Piston Seal . . . . .	1			<i>See Special Parts Section</i>	
19	L96066	Inner Clutch Piston Seal . . . . .	1				
20	L97529	Rev. & 2nd Shaft, Drum & Plug Assembly . . . . .	1				

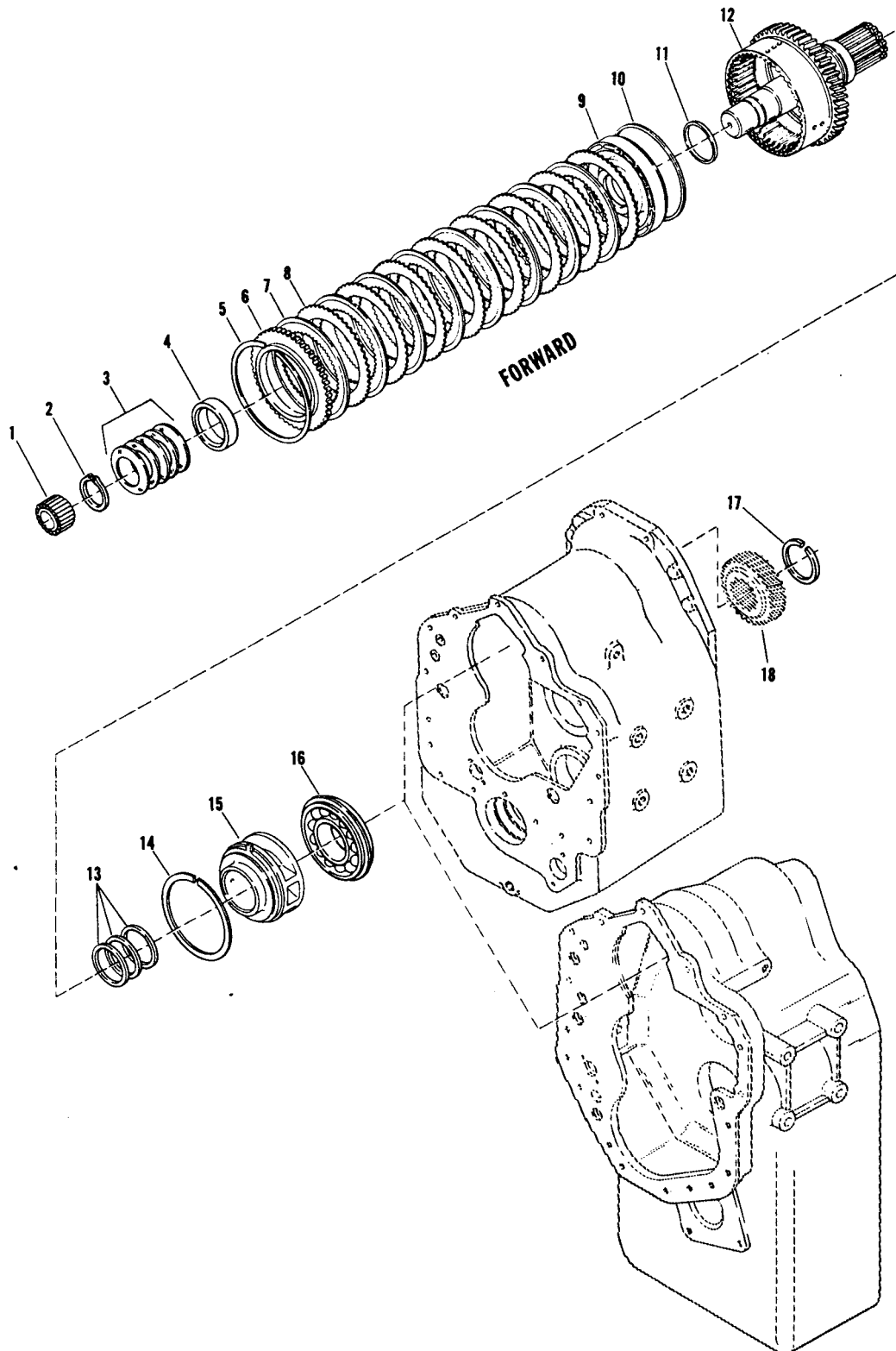
*Low Speed Shaft Group*



***Low Speed Shaft Group***

<b>Ref. No.</b>	<b>Part No.</b>	<b>Description</b>	<b>Qty. Req.</b>	<b>Ref. No.</b>	<b>Part No.</b>	<b>Description</b>	<b>Qty. Req.</b>
01	L94755	Low Speed Clutch		16	L96075	Clutch Piston . . . . .	1
		Shaft Front Bearing . . . . .	1	17	L96065	Outer Clutch Piston Ring . . . . .	1
02	L94897	Front Bearing Spacer . . . . .	1	18	L96066	Inner Clutch Piston Seal. . . . .	1
03	L94898	Low Speed Gear Bearing . . . . .	1	19	L97533	Low Clutch Shaft Drum &	
04	L97532	Low Speed Gear Bearing				Bleed Valve Asy. . . . .	1
		Locating Ring . . . . .	1	20	L96033	Low Speed Shaft Rear Bearing. . . . .	1
05	L96000	Low Speed Gear Spacer. . . . .	1	21	L94767	Rear Bearing Support Washer . . . . .	1
06	L97532	Low Speed Gear Bearing		22	L94847	Rear Bearing Retaining Ring . . . . .	1
		Locating Ring . . . . .	1	23	L96011	Low Shaft Piston Ring . . . . .	1
07	L94898	Low Speed Gear Bearing . . . . .	1	24	L97534	Rear Bearing Cap "O" Ring . . . . .	1
08	L94847	Low Speed Gear Bearing		25	L99358	Bearing Cap Stud . . . . .	4
		Retaining Ring . . . . .	1	26	L99345	Bearing Cap Stud Lockwasher . . . . .	4
09	L94849	Spring Retainer Snap Ring . . . . .	1	27	L99359	Bearing Cap Stud Nut . . . . .	4
10	L94850	Spring Retainer . . . . .	1	28	L97535	Bearing Cap "O" Ring . . . . .	1
11	L94851	Piston Return Spring . . . . .	1	29	L98739	Low Shaft Gear	
12	L96060	Backing Plate Snap Ring . . . . .	1			Hub & Ret. Ring Asy. . . . .	1
13	L96061	Clutch Disc Backing Plate . . . . .	1			<i>See Special Parts Section</i>	
14	L96076	Clutch Inner Disc . . . . .	8	30	L97509	Ret. Ring - (Incl. in Item #29) . . . . .	1
15	L96063	Clutch Outer Disc. . . . .	8			<i>See Special Parts Section</i>	

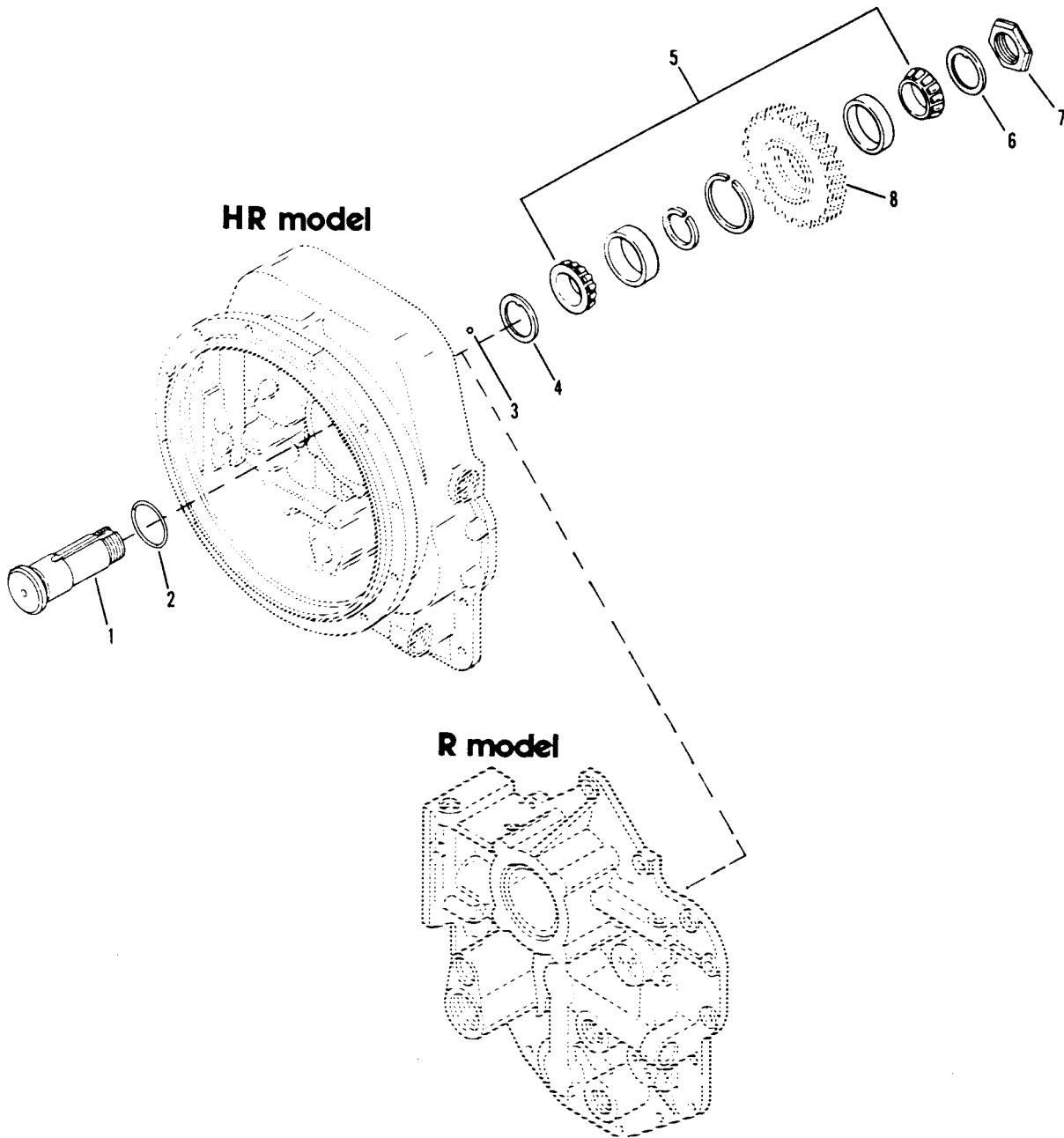
**Forward Shaft Group**



***Forward Shaft Group***

<b>Ref. No.</b>	<b>Part No.</b>	<b>Description</b>	<b>Qty. Req.</b>	<b>Ref. No.</b>	<b>Part No.</b>	<b>Description</b>	<b>Qty. Req.</b>
01	L94895	Forward Shaft Pilot Bearing . . . . .	1	10	L96065	Clutch Piston Ring - Outer . . . . .	1
02	L94855	Spring Retaining Snap Ring . . . . .	1	11	L96066	Clutch Piston Seal - Inner. . . . .	1
03	L94854	Piston Return Spring . . . . .	5	12	L97536	Forwd. Shaft, Drum & Plug Asy. . . . .	1
04	L94841	Piston Return Spring Spacer. . . . .	1	13	L96028	Forward Shaft Piston Ring . . . . .	4
05	L96060	Backing Plate Snap Ring . . . . .	1	14	L96029	Piston Ring Sleeve Ret. Ring . . . . .	1
06	L96061	Clutch Disc Backing Plate . . . . .	1	15	L97569	Piston Ring Sleeve. . . . .	1
07	L96062	Clutch Inner Disc . . . . .	8	16	L96032	Forward Shaft Rear Bearing . . . . .	1
08	L96063	Clutch Outer Disc. . . . .	8	17		<i>Not Used On This Model</i>	
09	L96075	Clutch Piston . . . . .	1	18		<i>Not Used On This Model</i>	

*Reverse Idler Group*



***Reverse Idler Group***

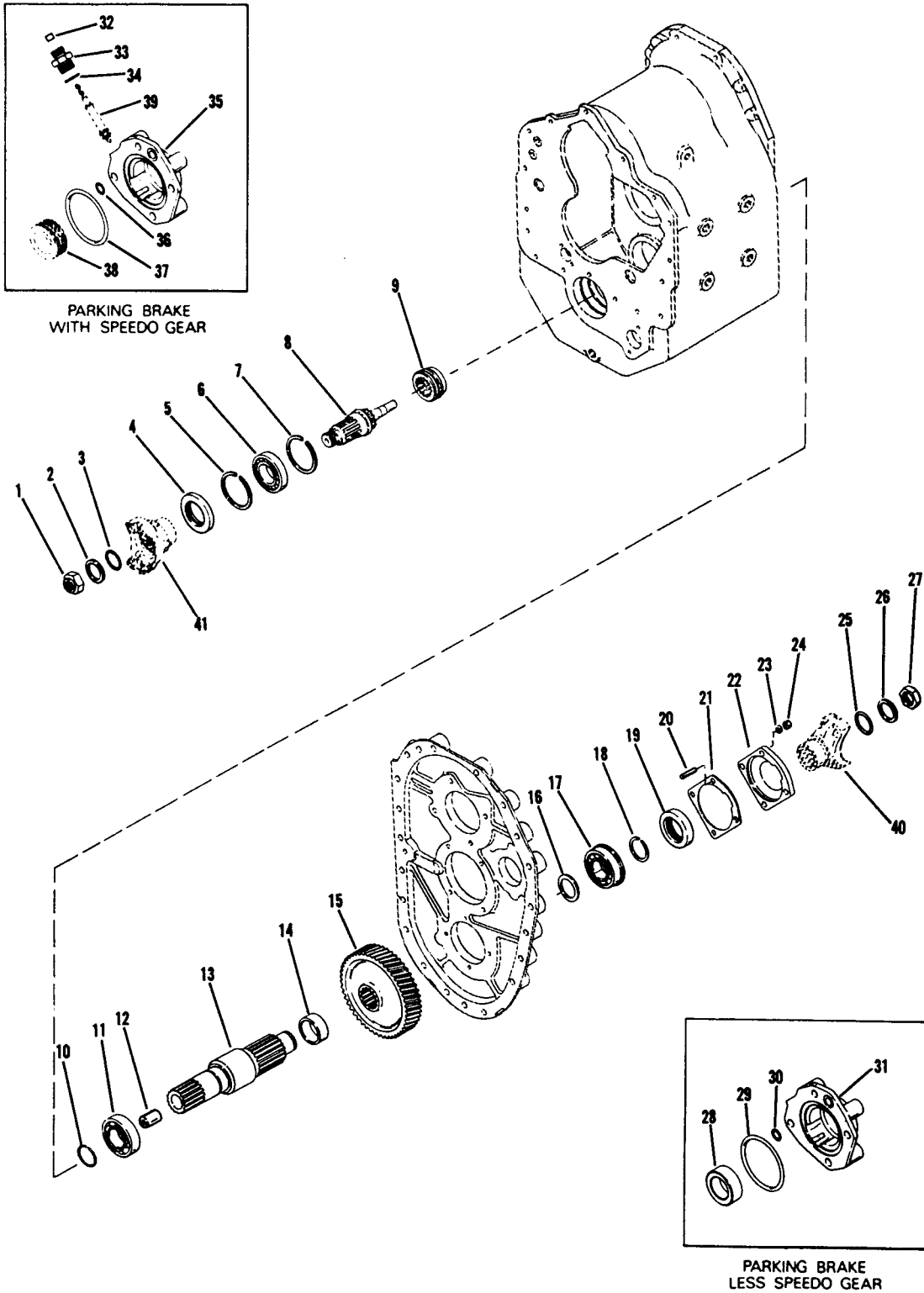
<b>Ref. No.</b>	<b>Part No.</b>	<b>Description</b>	<b>Qty. Req.</b>	<b>Ref. No.</b>	<b>Part No.</b>	<b>Description</b>	<b>Qty. Req.</b>
01	L97539	Reverse Idler Shaft . . . . .	1	05	L97543	Rev. Idler Gear Brg. Asy. . . . .	1
02	L97540	Idler Shaft "O" Ring . . . . .	1	06	L97542	Rev. Idler Gear Brg. Thrust Plate . .	1
03	L97541	Idler Shaft Lockball. . . . .	1	07	L99360	Bearing Retaining Plate Nut . . . . .	1
04	L97542	Rev. Idler Gear Brg. Thrust Plate . .	1	08	L97554	Reverse Idler Gear (37T) . . . . .	1



***3rd Shaft Clutch Group***

<b>Ref. No.</b>	<b>Part No.</b>	<b>Description</b>	<b>Qty. Req.</b>	<b>Ref. No.</b>	<b>Part No.</b>	<b>Description</b>	<b>Qty. Req.</b>
01	L99378	3rd Shaft Rear Brg. Cap Stud . . . . .	4	14	L96061	Clutch Disc Backing Plate . . . . .	1
02	L97545	3rd Shaft Rear Bearing . . . . .	1	15	L96060	Backing Plate Snap Ring . . . . .	1
03	L94868	3rd Shaft Rear Brg. Ret. Ring . . . . .	1	16	L96011	3rd Shaft Piston Ring . . . . .	1
04	L97546	3rd Shaft Bearing Cap Gasket . . . . .	1	17	L94851	Piston Return Spring . . . . .	1
05	L97547	3rd Shaft Rear Brg. Cap . . . . .	1	18	L94850	Spring Retainer . . . . .	1
		(Closed End)		19	L94849	Spring Retainer Snap Ring . . . . .	1
06	L99030	Bearing Cap Stud Lockwasher . . . . .	4	20	L97549	Pilot Bearing . . . . .	1
07	L99361	Bearing Cap Stud Nut . . . . .	4	21	L94844	3rd Gear & Hub Retainer Ring . . . . .	1
08	L97548	3rd Clutch Shaft, Drum & Hub Asy. . . . .	1	22 thru 31		<i>Not Used On This Model</i>	
09	L96066	Inner Clutch Piston Seal . . . . .	1	32	L97572	3rd Gear & Hub Asy. . . . .	1
10	L96065	Outer Clutch Piston Seal . . . . .	1			<i>(See Special Parts Section)</i>	
11	L96077	Clutch Piston Asy. . . . .	1	33	L97509	Retaining Ring (Incl. in Item 32) . . . . .	1
12	L96063	Clutch Outer Disc . . . . .	6			<i>(See Special Parts Section)</i>	
13	L96062	Clutch Inner Disc . . . . .	6	34		<i>Not Used On This Model</i>	

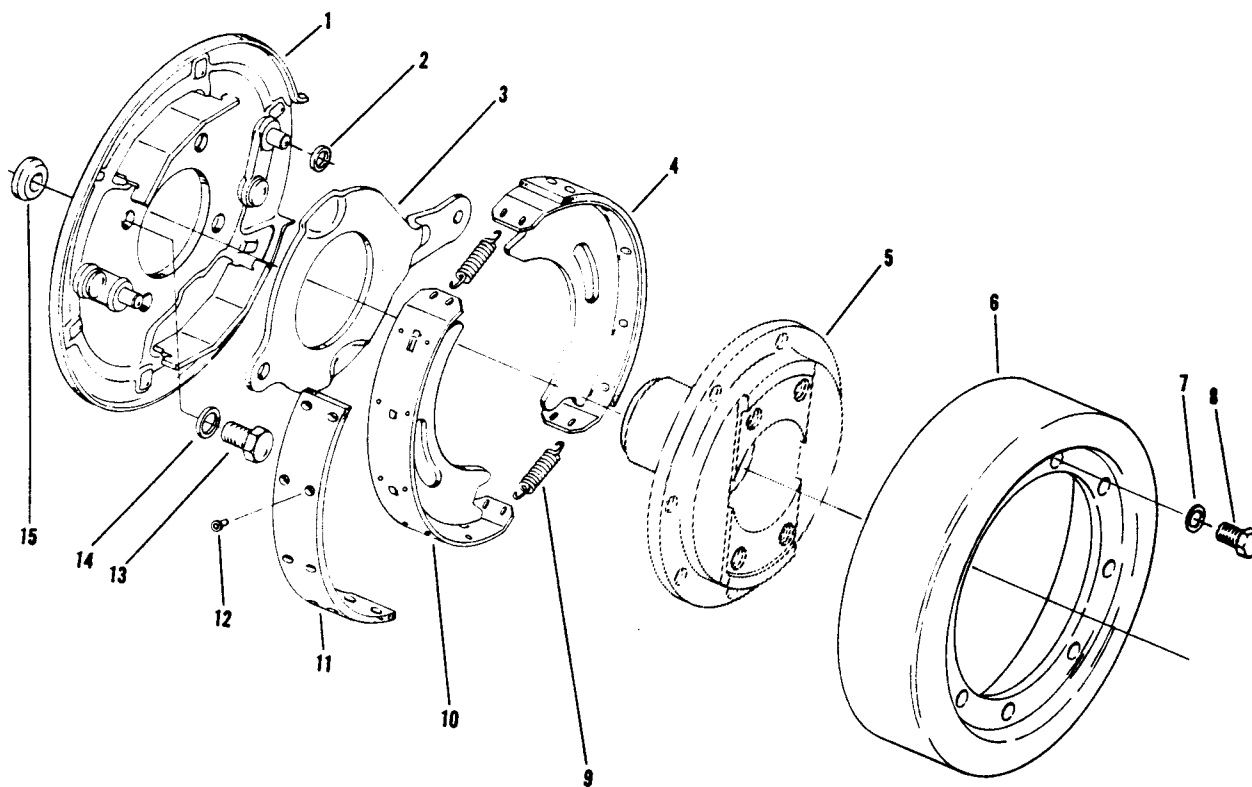
# Output Shaft Group



***Output Shaft Group***

Ref. No.	Part No.	Description	Qty. Req.	Ref. No.	Part No.	Description	Qty. Req.
01	L94797	Flange Nut . . . . .	1	18		<i>Not Used On This Model</i>	
02	L94762	Flange Washer . . . . .	1	19	L97560	Output Shaft Rear Brg.	
03	L97550	Flange "0" Ring . . . . .	1			Cap Oil Seal . . . . .	1
04	L97550	Output Oil Seal . . . . .	1	20	L99362	Bearing Cap Stud . . . . .	4
05	L97551	Bearing Retainer Ring . . . . .	1	21		<i>Not Used On This Model</i>	
06	L97552	Bearing . . . . .	1	22	L94813	See Item #31	
07	L97551	Bearing Retainer Ring . . . . .	1	23	L99363	Bearing Cap Stud lockwasher . . . . .	4
08	L97553	Disconnect Shaft . . . . .	1	24	L99364	Bearing Cap Stud Nut . . . . .	4
09	L97554	Drive Coupling . . . . .	1	25	L97561	Flange "0" Ring . . . . .	1
10	L94768	Output Shaft Bearing Ret. Ring . . . . .	1	26	L99241	Flange Washer . . . . .	1
11	L94755	Output Shaft Front Bearing . . . . .	1	27	L94812	Flange Nut . . . . .	1
12	L97555	Output Shaft Bushing . . . . .	1	28	L99355	Bearing To Flange Spacer . . . . .	1
		(Incl. in Item #13)		29	L97563	Output Brg. Cap "0" Ring . . . . .	1
13	L97556	Output Shaft & Bushing Asy. . . . .	1	30	L97564	Output Brg. Cap "0" Ring . . . . .	1
		(Incl. Item #12)		31	L94813	Output Shaft Rear Brg. Cap . . . . .	1
14	L97557	Output Gear Spacer . . . . .	1	32 thru 39		<i>Not Used On This Model</i>	
15	L97558	Output Shaft Gear (54T) . . . . .	1	40	L97531	Brake Flange (See Front Sheet) . . . . .	1
16	L98014	Gear Thrust Washer . . . . .	1	41	L94761	Output Flange (See Front Sheet) . . . . .	1
17	L97545	Output Shaft Rear Bearing . . . . .	1				

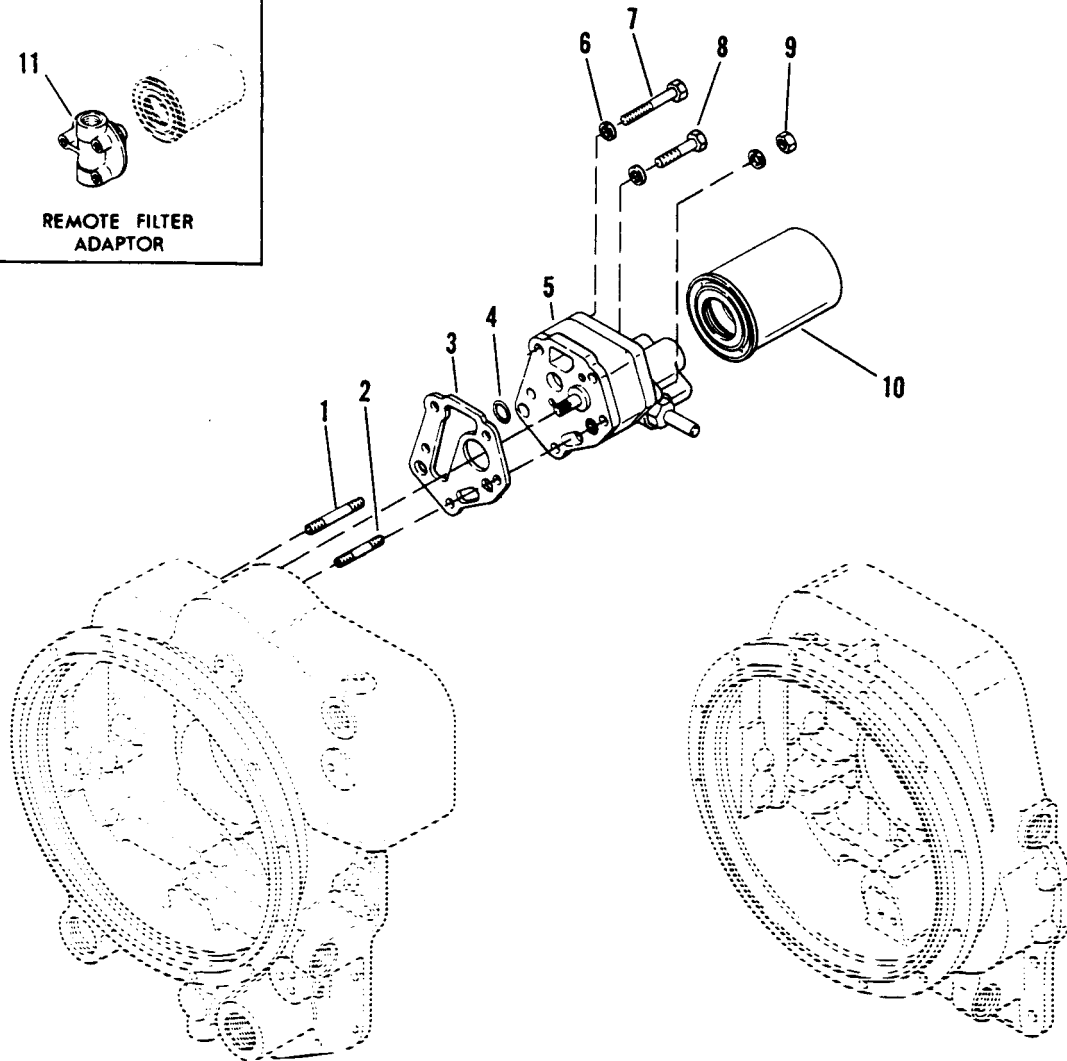
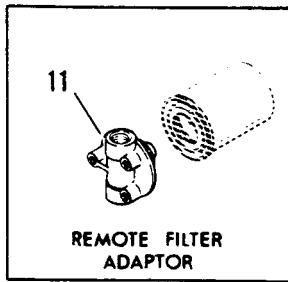
**Parking Brake Group**



***Parking Brake Group***

Ref. No.	Part No.	Description	Qty. Req.	Ref. No.	Part No.	Description	Qty. Req.
-	L94710	Brake Assembly, . . . . .	1	08	L99367	Brake Drum to Flange Screw . . . . .	2
		(Inc. Items 1,2,3,4,9 thru 12)		09	L94711	Return Spring . . . . .	2
01	L96084	Backing Plate Assembly . . . . .	1	10	NSS	Brake Shoe (See Item 4)	
02	L99366	Roller . . . . .	1	11	L94804	Brake Lining & Rivet Kit, . . . . .	1
03	L94669	Actuating Lever . . . . .	1			(Incl. Item 12)	
04	L99198	Brake Shoe & Lining . . . . .	1	12	NSS	Brake Lining Rivet . . . . .	20
05	L97531	Brake Flange (See Front Sheet) . . .	1			(Part of Item 11)	
06	L94709	Brake Drum . . . . .	6	13	L99368	Backing Plate Screw . . . . .	4
07	L99030	Brake Drum to Flange		14	L99369	Backing Plate Screw Lockwasher . .	4
		Screw Lockwasher . . . . .	6	15		<i>Not used on this model</i>	

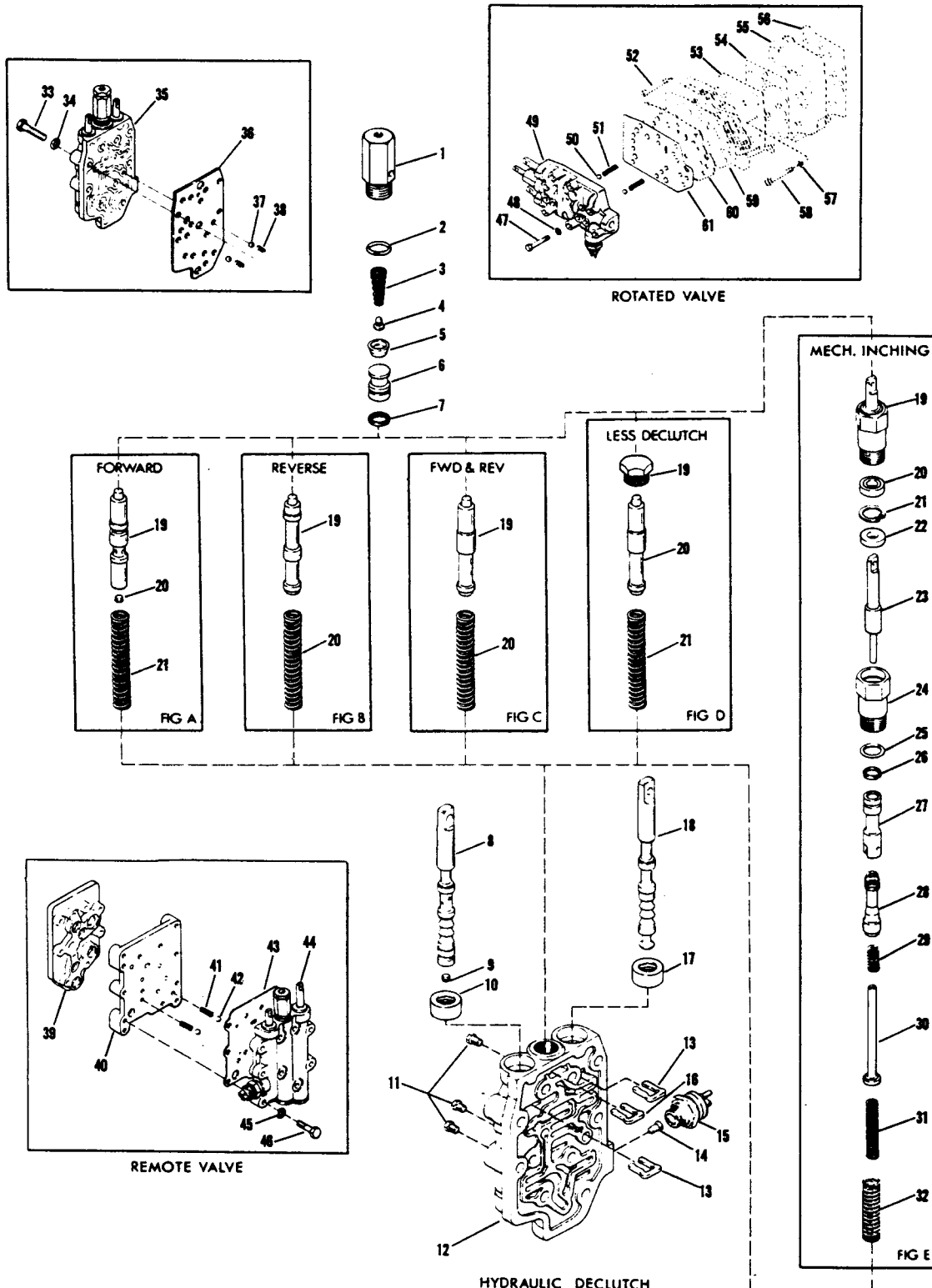
**Charge Pump/Filter Assembly Group**



***Charge Pump/Filter Assembly Group***

<b>Ref. No.</b>	<b>Part No.</b>	<b>Description</b>	<b>Qty. Req.</b>	<b>Ref. No.</b>	<b>Part No.</b>	<b>Description</b>	<b>Qty. Req.</b>
01	L99370	Pump Mounting Stud . . . . .	1	06	L99345	Pump Mtg. Screw Lockwasher . . . . .	5
02	L99371	Pump Mounting Stud . . . . .	1	07	L99327	Pump Mounting Screw . . . . .	1
03	L94747	Pump Assembly to Conv. Housing Gasket . . . . .	1	08	L99373	Pump Mounting Screw . . . . .	2
04	L94748	"O" Ring . . . . .	1	09	L99359	Pump Mounting Stud Nut . . . . .	2
05	L94749	Charging Pump Assembly . . . . .	1	10	L99184	Filter Assembly. . . . .	1
				11		<i>Not used on this Model</i>	

# Control Valve Group



***Control Valve Group***

<b>Ref. No.</b>	<b>Part No.</b>	<b>Description</b>	<b>Qty. Req.</b>	<b>Ref. No.</b>	<b>Part No.</b>	<b>Description</b>	<b>Qty. Req.</b>
01	L97567	Hydraulic Actuator Asy. . . . .	1	14	L94880	Switch Actuating Pin. . . . .	1
		(Inc. Items 1 thru 7)		15	L94881	Neutral Switch . . . . .	1
02	L94872	Piston Housing "0" Ring . . . . .	1	16	L94879	Valve Spool Stop . . . . .	1
03	L94873	Balance Spring & Pin Kit . . . . .	1	17	L94883	Oil Seal . . . . .	1
		(Incl. Item 4)		18	L94882	Forward & Reverse Valve Spool . . .	1
04	NSS	Spring Retainer Pin . . . . .	1	19	L94838	Valve Spool - Fig. "C" . . . . .	1
		(Incl. in Item 3)		20	L94831	Control Valve Spring - Fig. "C" . . .	1
05	L94875	Piston Seal. . . . .	1	21 thru 32		<i>Not Used On This Model</i>	
06	L94876	Piston . . . . .	1	33	L99374	Valve to Converter Housing Screw .	9
07	L94877	Glyd. Ring Asy. . . . .	1	34	L99030	Valve to Converter Housing. Screw Lockwasher . . . . .	9
08	L94781	Speed Selector Spool & Plug Asy. .	1			Control Valve Asy. . . . .	1
		(Incl. Item 9)		35	L94820	(Incl. Items 1, 12,16, 19 & 20)	
09	L99375	Plug (Incl. in Item 8) . . . . .	1	36	L97569	Control Valve Gasket . . . . .	1
10	L94883	Oil Seal . . . . .	1	37	L94822	Detent Ball . . . . .	2
11	L94803	Pipe Plug . . . . .	3	38	L94823	Detent Spring . . . . .	2
12	L97568	Control Valve Housing Asy. . . . .	1	39 thru 61		<i>Not Used On This Model</i>	
		(Incl. Items 8 thru 15,17,18)					
13	L94879	Valve Spool Stop . . . . .	2				

***Numerical Index***

<b>Part No.</b>	<b>Page No.</b>	<b>Ref. No.</b>	<b>Part No.</b>	<b>Page No.</b>	<b>Ref. No.</b>	<b>Part No.</b>	<b>Page No.</b>	<b>Ref. No.</b>	<b>Part No.</b>	<b>Page No.</b>	<b>Ref. No.</b>
L94669	12-25	03	L94812	12-23	27	L94881	12-29	15	L97502	12-5	21
L94709	12-25	06	L94813	12-23	31	L94882	12-29	18	L97503	12-5	22
L94710	12-25		L94813	12-23	22	L94883	12-29	17	L97504	12-5	03
L94711	12-25	09	L94814	12-5	30	L94883	12-29	10	L97505	12-5	23
L94747	12-27	03	L94814	12-5	07	L94895	12-17	01	L97506	12-5	28
L94748	12-5	32	L94817	12-5	44	L94897	12-15	02	L97507	12-5	36
L94748	12-27	04	L94818	12-5	43	L94898	12-15	07	L97508	12-5	41
L94749	12-27	05	L94819	12-5	06	L94898	12-15	03	L97508	12-5	05
L94751	12-10	05	L94820	12-29	35	L96000	12-15	05	L97508	12-5	09
L94751	12-11	10	L94822	12-29	37	L96011	12-15	23	L97508	12-5	51
L94751	12-11	02	L94823	12-29	38	L96011	12-21	16	L97509	12-6	01
L94751	12-11	06	L94824	12-5	02	L96015	12-5	14	L97509	12-13	33
L94751	12-11	15	L94830	12-5	24	L96028	12-17	13	L97509	12-13	36
L94752	12-10	02	L94831	12-29	20	L96029	12-17	14	L97509	12-21	33
L94752	12-11	03	L94838	12-29	19	L96032	12-17	16	L97509	12-15	30
L94753	12-11	04	L94840	12-5	38	L96033	12-15	20	L97510	12-6	02
L94754	12-11	05	L94840	12-5	29	L96060	12-17	05	L97511	12-6	03
L94755	12-15	01	L94841	12-13	12	L96060	12-15	12	L97513	12-6	08
L94755	12-23	11	L94841	12-17	04	L96060	12-13	13	L97514	12-6	13
L94756	12-11	07	L94844	12-21	21	L96060	12-13	27	L97515	12-7	01
L94758	12-10	03	L94847	12-13	32	L96060	12-21	15	L97516	12-7	02
L94758	12-11	14	L94847	12-15	08	L96061	12-13	14	L97518	12-9	04
L94758	12-11	11	L94847	12-15	22	L96061	12-17	06	L97519	12-9	08
L94759	12-11	13	L94848	12-13	31	L96061	12-21	14	L97520	12-9	11
L94760	12-10	04	L94849	12-13	30	L96061	12-13	26	L97521	12-9	12
L94760	12-11	12	L94849	12-21	19	L96061	12-15	13	L97522	12-9	13
L94761	12-23	41	L94849	12-15	09	L96062	12-21	13	L97523	12-9	17
L94762	12-23	02	L94850	12-15	10	L96062	12-13	15	L97524	12-9	18
L94763	12-11	09	L94850	12-21	18	L96062	12-17	07	L97525	12-9	21
L94764	12-11	08	L94850	12-13	29	L96062	12-13	25	L97526	12-9	23
L94767	12-15	21	L94851	12-13	28	L96063	12-13	24	L97527	12-10	06
L94767	12-6	04	L94851	12-21	17	L96063	12-17	08	L97529	12-13	20
L94768	12-23	10	L94851	12-15	11	L96063	12-13	16	L97530	12-13	34
L94768	12-6	05	L94854	12-13	11	L96063	12-21	12	L97531	12-23	40
L94769	12-6	06	L94854	12-17	03	L96063	12-15	15	L97531	12-25	05
L94770	12-6	07	L94855	12-17	02	L96065	12-17	10	L97532	12-15	04
L94772	12-6	12	L94855	12-13	10	L96065	12-13	22	L97532	12-15	06
L94773	12-6	11	L94856	12-13	09	L96065	12-13	18	L97533	12-15	19
L94774	12-6	14	L94857	12-13	06	L96065	12-21	10	L97534	12-15	24
L94781	12-29	08	L94857	12-13	08	L96065	12-15	17	L97535	12-15	28
L94782	12-9	01	L94859	12-13	07	L96066	12-21	09	L97536	12-17	12
L94783	12-9	02	L94861	12-13	05	L96066	12-13	21	L97539	12-19	01
L94784	12-9	03	L94862	12-13	04	L96066	12-17	11	L97540	12-19	02
L94786	12-9	05	L94867	12-13	01	L96066	12-13	19	L97541	12-19	03
L94787	12-9	07	L94868	12-21	03	L96066	12-15	18	L97542	12-19	04
L94789	12-9	09	L94868	12-13	02	L96075	12-17	09	L97542	12-19	06
L94790	12-9	10	L94869	12-13	03	L96075	12-15	16	L97543	12-19	05
L94790	12-9	20	L94872	12-29	02	L96075	12-13	17	L97545	12-21	02
L94793	12-9	14	L94873	12-29	03	L96076	12-15	14	L97545	12-23	17
L94794	12-9	15	L94875	12-29	05	L96077	12-21	11	L97546	12-21	04
L94796	12-9	16	L94876	12-29	06	L96077	12-13	23	L97547	12-21	05
L94797	12-23	01	L94877	12-29	07	L96084	12-25	01	L97548	12-21	08
L94802	12-5	33	L94879	12-29	16	L97499	12-5	10	L97549	12-21	20
L94803	12-29	11	L94879	12-29	13	L97500	12-5	13	L97550	12-23	04
L94804	12-25	09	L94880	12-29	14	L97501	12-5	17	L97550	12-23	03

***Numerical Index***

<b>Part No.</b>	<b>Page No.</b>	<b>Ref. No.</b>	<b>Part No.</b>	<b>Page No.</b>	<b>Ref. No.</b>
L97551	12-23	05	L99346	12-5	12
L97551	12-23	07	L99347	12-5	42
L97552	12-23	06	L99347	12-5	04
L97553	12-23	08	L99348	12-5	27
L97554	12-19	08	L99349	12-5	35
L97554	12-23	09	L99350	12-5	40
L97555	12-23	12	L99351	12-6	09
L97556	12-23	13	L99352	12-9	06
L97557	12-23	14	L99353	12-9	19
L97558	12-23	15	L99354	12-10	07
L97560	12-23	19	L99355	12-10	08
L97561	12-23	25	L99355	12-23	28
L97563	12-23	29	L99356	12-10	09
L97564	12-23	30	L99357	12-10	01
L97567	12-29	01	L99357	12-11	01
L97568	12-29	12	L99358	12-15	25
L97569	12-17	15	L99359	12-27	09
L97569	12-29	36	L99359	12-15	27
L97572	12-21	32	L99360	12-19	07
L97572	12-3	32	L99361	12-21	07
L97722	12-5	31	L99362	12-23	20
L97722	12-5	25	L99363	12-23	23
L97722	12-5	08	L99364	12-23	24
L98014	12-23	16	L99366	12-25	02
L98189	12-9	22	L99367	12-25	08
L98509	12-3	33	L99368	12-25	13
L98509	12-3	36	L99369	12-25	14
L98509	12-3	30	L99370	12-27	01
L98658	12-9	24	L99371	12-27	02
L98734	12-5	50	L99373	12-27	08
L98739	12-3	29	L99374	12-29	33
L98739	12-13	35	L99375	12-29	09
L98739	12-15	29	L99378	12-21	01
L98739	12-3	35			
L99022	12-5	26			
L99030	12-29	34			
L99030	12-25	07			
L99030	12-6	10			
L99030	12-21	06			
L99184	12-27	10			
L99198	12-25	04			
L99241	12-23	26			
L99253	12-5	19			
L99262	12-5	34			
L99262	12-5	01			
L99262	12-5	18			
L99274	12-5	20			
L99327	12-27	07			
L99333	12-7	03			
L99345	12-15	26			
L99345	12-5	16			
L99345	12-27	06			
L99345	12-5	39			
L99345	12-5	11			
L99346	12-5	15			

**GEHL® CONSTRUCTION**

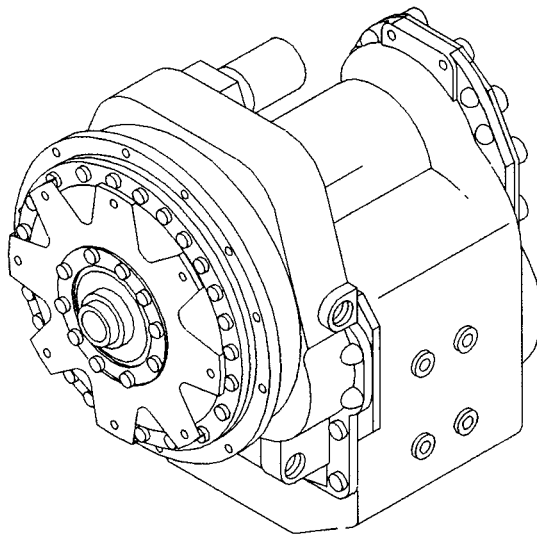
---

# **T18000**

## **Clark**

# **Transmission**

**Model No.**  
**12.2HR18317-1**



# **SERVICE PARTS**



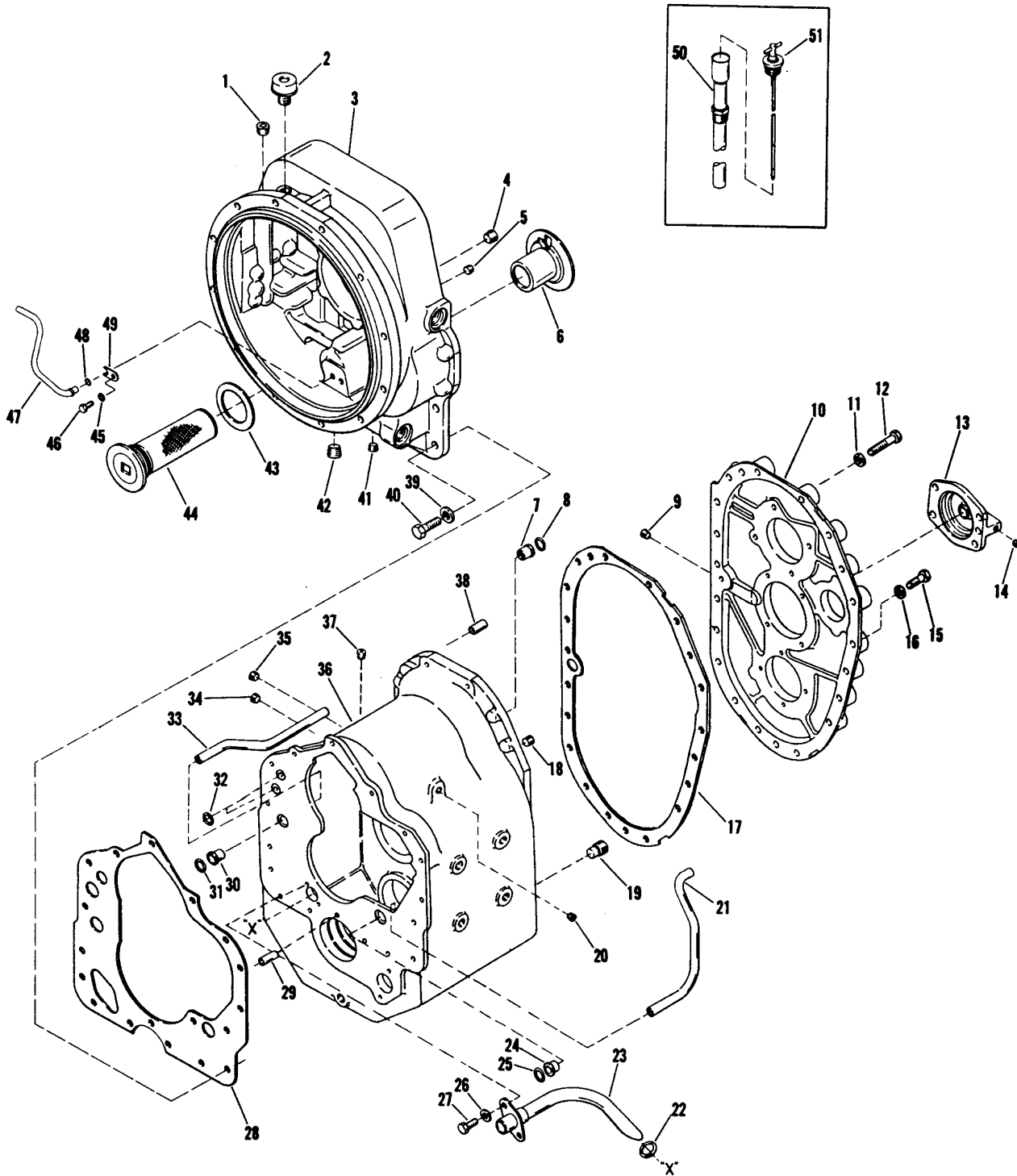
Section Contents . . . . . **13-1**  
\_\_\_\_\_ - Special Parts Group . . . . . **13-3**  
266078 - Case & Cover Group . . . . . **13-4**  
234402 - Turbine Shaft/Baffle Group . . . . . **13-6**  
234456 - Drive Plate Group . . . . . **13-7**  
265893 - Converter Assembly . . . . . **13-8**  
234404 - Auxiliary Pump Drive Group . . . . . **13-10**  
234405 - Charging Pump Drive Group . . . . . **13-11**  
238330 - Reverse & 2nd Shaft Group . . . . . **13-12**  
237526 - Low Speed Shaft Group . . . . . **13-14**  
238331 - Forward Shaft Group . . . . . **13-16**  
265424 - Reverse Idler Group . . . . . **13-18**  
265771 - 3rd Shaft Clutch Group . . . . . **13-20**  
266079 - Output Shaft Group . . . . . **13-22**  
231141 - Parking Brake Group . . . . . **13-24**  
237528 - Charge Pump/Filter Assembly Group . . . . . **13-26**  
234436 - Control Valve Group . . . . . **13-28**  
Numerical Index . . . . . **13-30**

**This Page Intentionally Blank**

***Special Parts Group***

<b>Ref. No.</b>	<b>Part No.</b>	<b>Description</b>	<b>Qty. Req.</b>	<b>Ref. No.</b>	<b>Part No.</b>	<b>Description</b>	<b>Qty. Req.</b>
<b><u>PAGE 12/13</u></b>				<b><u>PAGE 20/21</u></b>			
35	L98739	Rev. Clutch Gear & Ret. Ring Asy. (Incl. Item 36) . . . . .	1	32	L97572	3rd Gear, Hub & Ret. Ring Asy (Incl. Item 33) . . . . .	1
36	L98509	Retaining Ring . . . . .	1	33	L97509	Retaining Ring . . . . .	1
<b><u>PAGE 14/15</u></b>							
29	L98010	Low Shaft Gear, Hub & Ret. Ring Asy. (Incl. Item 30) . . . . .	1				
30	L98509	Retaining Ring . . . . .	1				

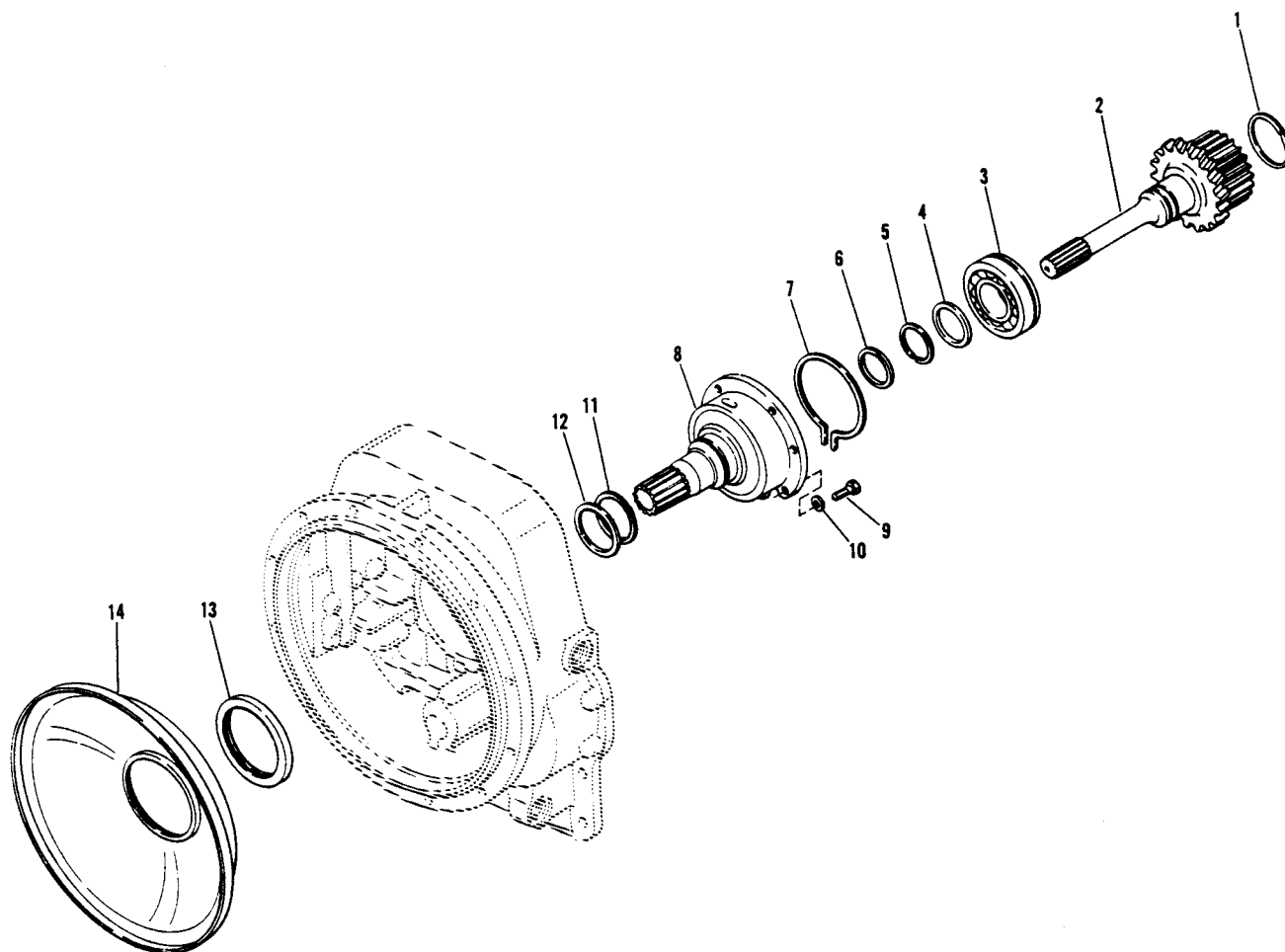
### Case & Cover Group



**Case & Cover Group**

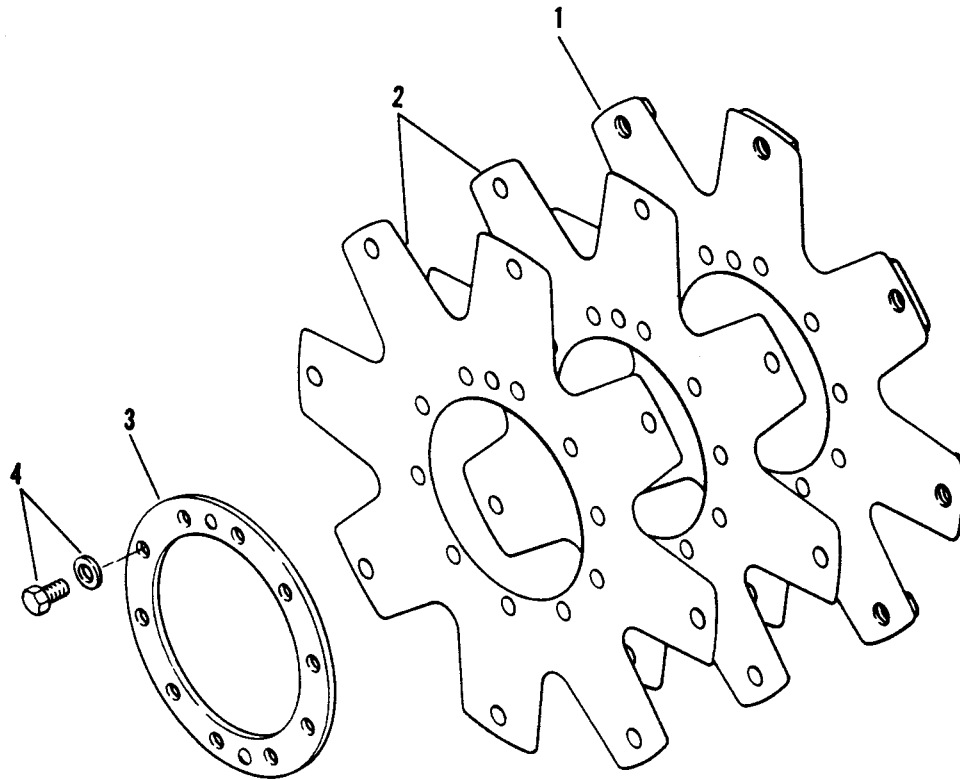
Ref. No.	Part No.	Description	Qty. Req.	Ref. No.	Part No.	Description	Qty. Req.
01	L99262	Pipe Plug . . . . .	1	24	L94830	Tube Sleeve . . . . .	1
02	L94824	Air Breather . . . . .	1	25	L97722	Pressure Tube "0" Ring . . . . .	1
03	L97504	Converter Housing . . . . .	1	26	L99022	Retainer Screw Lockwasher . . . . .	2
04	L99347	Pipe Plug . . . . .	1	27	L99348	Suction Line Retainer Screw . . . . .	2
05	L97508	Pipe Plug . . . . .	1	28	L97506	Converter Housing to Trans. Case Gasket . . . . .	1
06	L94819	Converter Housing Sleeve . . . . .	1	29	L94840	Dowel Pin . . . . .	1
07	L94814	Tube Sleeve . . . . .	1	30	L94814	Tube Sleeve . . . . .	1
08	L97722	Pressure Tube "0" Ring . . . . .	1	31	L97722	Pressure Tube "0" Ring . . . . .	1
09	L97508	Cover Pipe Plug . . . . .	1	32	L94748	Clutch Pressure "0" Ring . . . . .	1
10	L97499	Rear Cover & Plug Ass'y. . . . . (Incl. Item #9)	1	33	L94802	Low Speed Clutch Pressure Tube. . . . .	1
11	L99345	Rear Cover to Case Screw . . . . . Lockwasher. . . . .	1 10	34	L99262	Pipe Plug . . . . .	1
12	L99346	Rear Cover to Case Screw . . . . .	10	35	L99349	Pipe Plug . . . . .	1
13	L97500	Shaft Rear Bearing Cap Ass'y. . . . . (Incl. Item#14)	1	36	L97507	Trans. Case Asy. . . . . (Incl. Items 7,21-24,26,27,30,33)	1
14	L96015	Plug (Incl. in Item #13) . . . . .	1	37		See Items 50 & 51	
15	L99346	Rear Cover to Case Screw . . . . .	10	38	L94840	Case to Cover Dowel Pin . . . . .	2
16	L99345	Rear Cover to Case Screw Lockwasher. . . . .	10	39	L99345	Housing to Case Screw Lockwasher. . . . .	16
17	L97501	Rear Cover to Case Gasket . . . . .	1	40	L99350	Housing to Case Screw . . . . .	16
18	L99262	Pipe Plug . . . . .	1	41	L97508	Pipe Plug . . . . .	1
19	L99253	Magnetic Drain Plug . . . . .	2	42	L99347	Pipe Plug . . . . .	1
20	L99274	Pipe Plug . . . . .	1	43	L94818	Screen Asy. Gasket . . . . .	1
21	L97502	Clutch Lube Tube . . . . .	1	44	L94817	Screen Asy. . . . .	1
22	L97503	Suction Line "0" Ring . . . . .	1	45 thru 49		<i>Not Used On This Model</i>	
23	L97505	Suction Tube Assembly . . . . .	1	50	L98734	Dipstick Tube Asy. . . . .	1
				51	L97508	Dipstick . . . . .	1

**Turbine Shaft/Baffle Group**



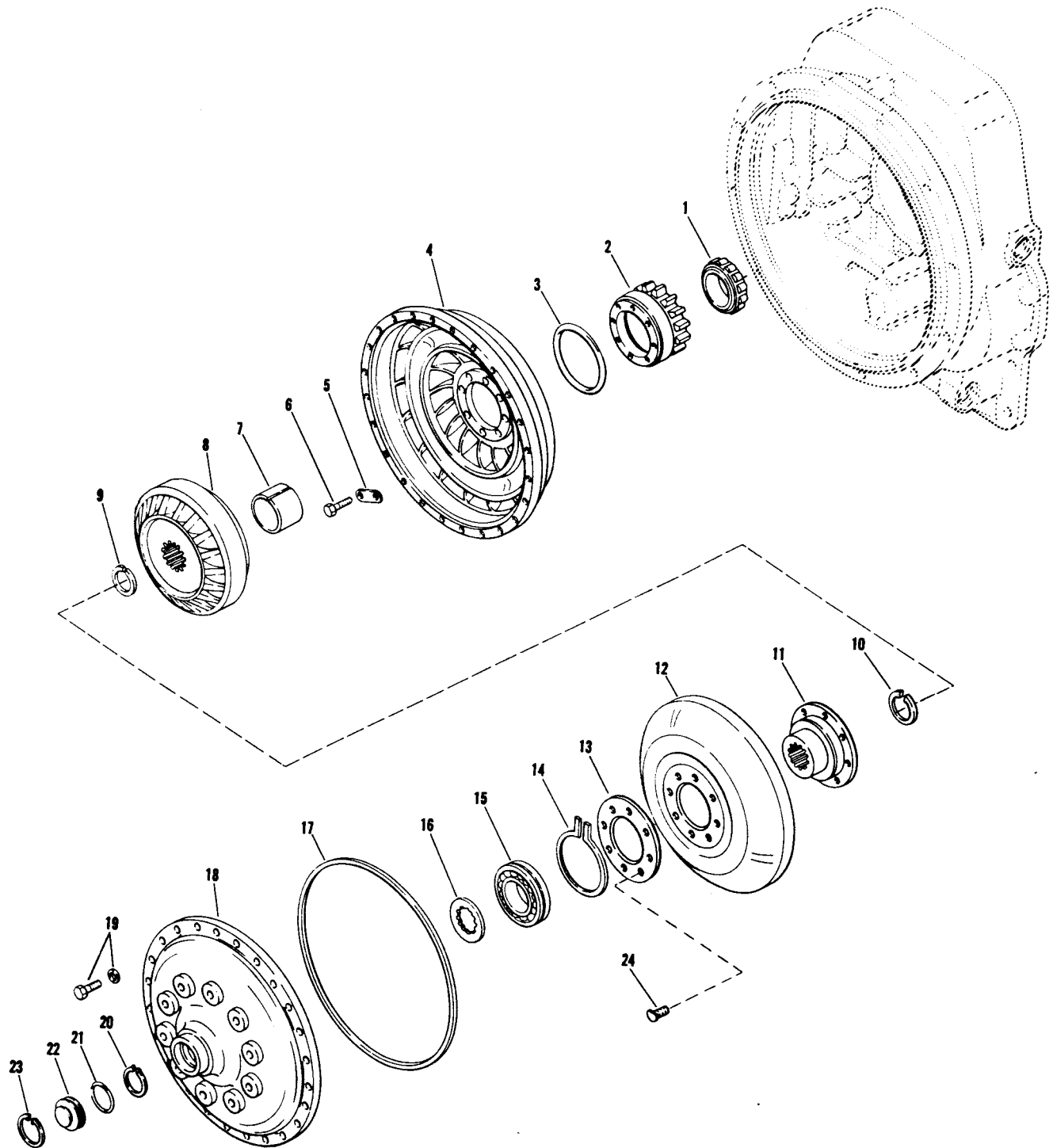
Ref. No.	Part No.	Description	Qty. Req.	Ref. No.	Part No.	Description	Qty. Req.
01	L97509	Retaining Ring . . . . .	1	08	L97513	Stator Support . . . . .	1
		(Incl. in Item #2)		09	L99351	Stator Support Screw . . . . .	6
02	L97510	Turbine Shaft & Ret. Ring Asy. . . . .	1	10	L99030	Stator Support Screw Lockwasher. . . . .	6
		(Incl. Item #1)		11	L94773	Piston Ring Expander Spring . . . . .	1
03	L97511	Turbine Shaft Bearing. . . . .	1	12	L94772	Piston Ring . . . . .	1
04	L94767	Bearing Locating Washer . . . . .	1	13	L97514	Oil Seal . . . . .	1
05	L94768	Bearing Retaining Ring. . . . .	1	14	L94774	Oil Baffle Assembly . . . . .	1
06	L94769	Piston Ring . . . . .	1				
07	L94770	Bearing Snap Ring. . . . .	1				

**Drive Plate Group**



Ref. No.	Part No.	Description	Qty. Req.	Ref. No.	Part No.	Description	Qty. Req.
01	L97515	Driveplate Assy Kit . . . . .	1	03	L97516	Driveplate Backing Ring . . . . .	1
		(Incl. Items 2,3 & 4)		04	L99333	Driveplate Mounting Screw . . . . .	10
02	NSS	Driveplate (Incl. in Item #1) . . . . .	1		L99030	Lockwasher . . . . .	10

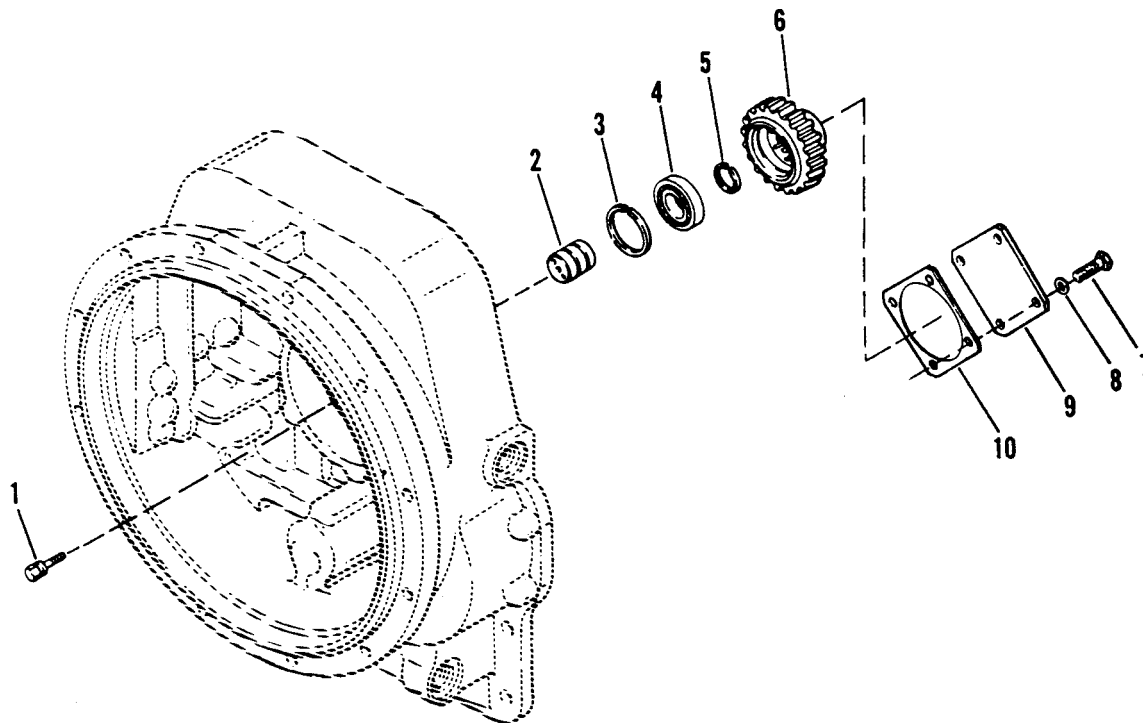
### Converter Assembly



***Converter Assembly***

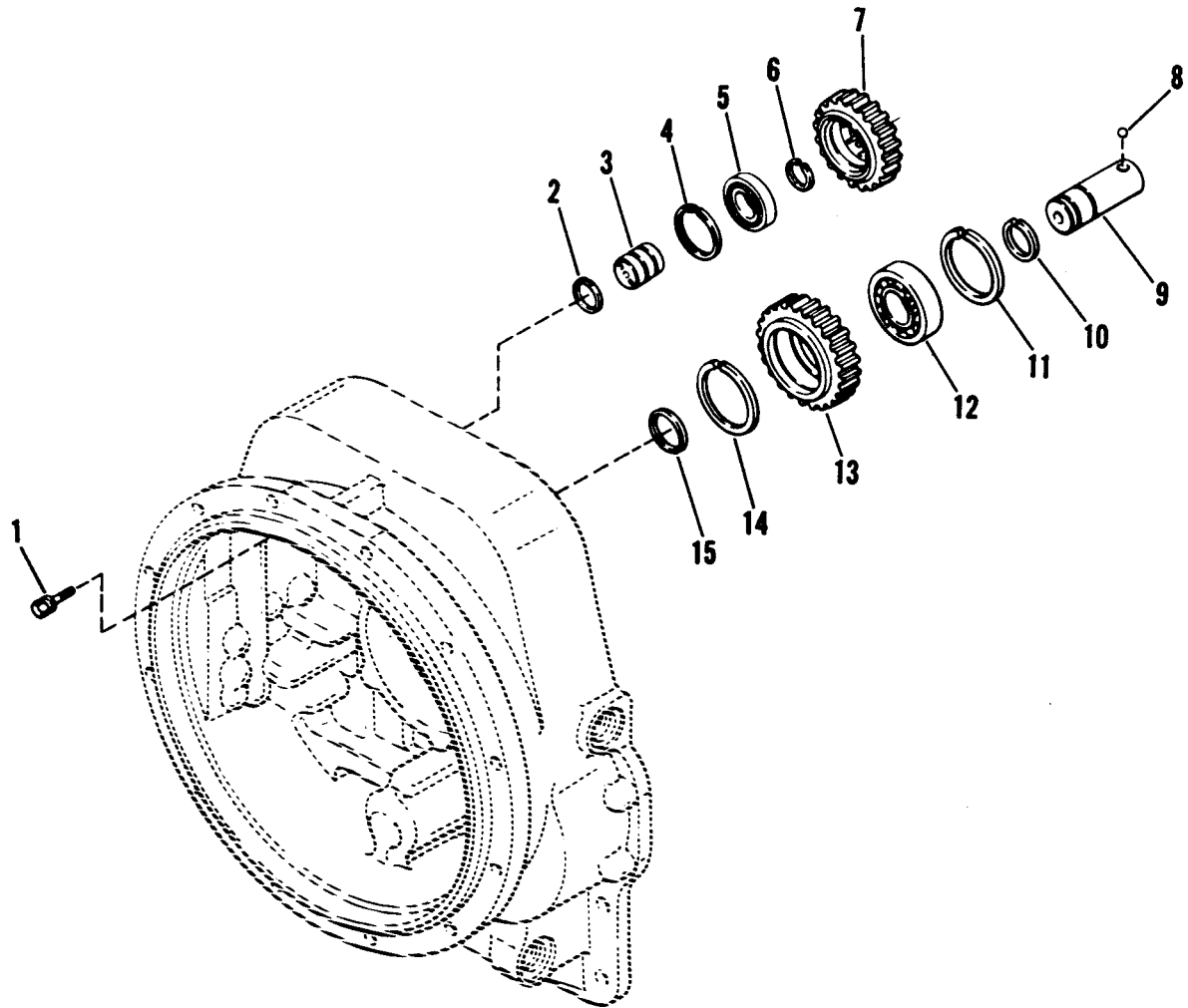
<b>Ref. No.</b>	<b>Part No.</b>	<b>Description</b>	<b>Qty. Req.</b>	<b>Ref. No.</b>	<b>Part No.</b>	<b>Description</b>	<b>Qty. Req.</b>
01	L94782	Impeller Hub Gear Brg. . . . .	1	13	L97522	Turbine to Hub Screw Ring. . . . .	1
02	L94783	Impeller Hub Gear . . . . .	1	14	L94793	Turbine Hub Brg. Locating Ring . . .	1
03	L94784	Impeller Hub "0" Ring . . . . .	1	15	L94794	Turbine Hub Bearing . . . . .	1
04	L97518	Impeller . . . . .	1	16	L94796	Bearing Retaining Washer . . . . .	1
05	L94786	Impeller to Hub Screw Lock Tab. . .	4	17	L97523	Impeller to Cover "0" Ring . . . . .	1
06	L99352	Impeller to Hub Screw . . . . .	8	18	L97524	Impeller Cover (Include Item 23)	
07	L94787	Impeller to Hub Brg. Spacer . . . . .	1	19	L99353	Impeller to Cover Screw . . . . .	1
08	L97519	Reaction Member . . . . .	1			& Lockwasher . . . . .	24
09	L94789	Retaining Ring . . . . .	1	20	L94790	Turbine Retaining Ring . . . . .	1
10	L94790	Turbine Retaining Ring . . . . .	1	21	L97525	Impeller Cover Bore Plug "0" Ring. .	1
11	L97520	Turbine Hub . . . . .	1	22	L98189	Bore Plug . . . . .	1
12	L97521	Turbine . . . . .	1	23	L97526	Bore Plug Retaining Ring . . . . .	1
				24	L98658	Turbine to Hub Screw . . . . .	12

**Auxiliary Pump Drive Group**



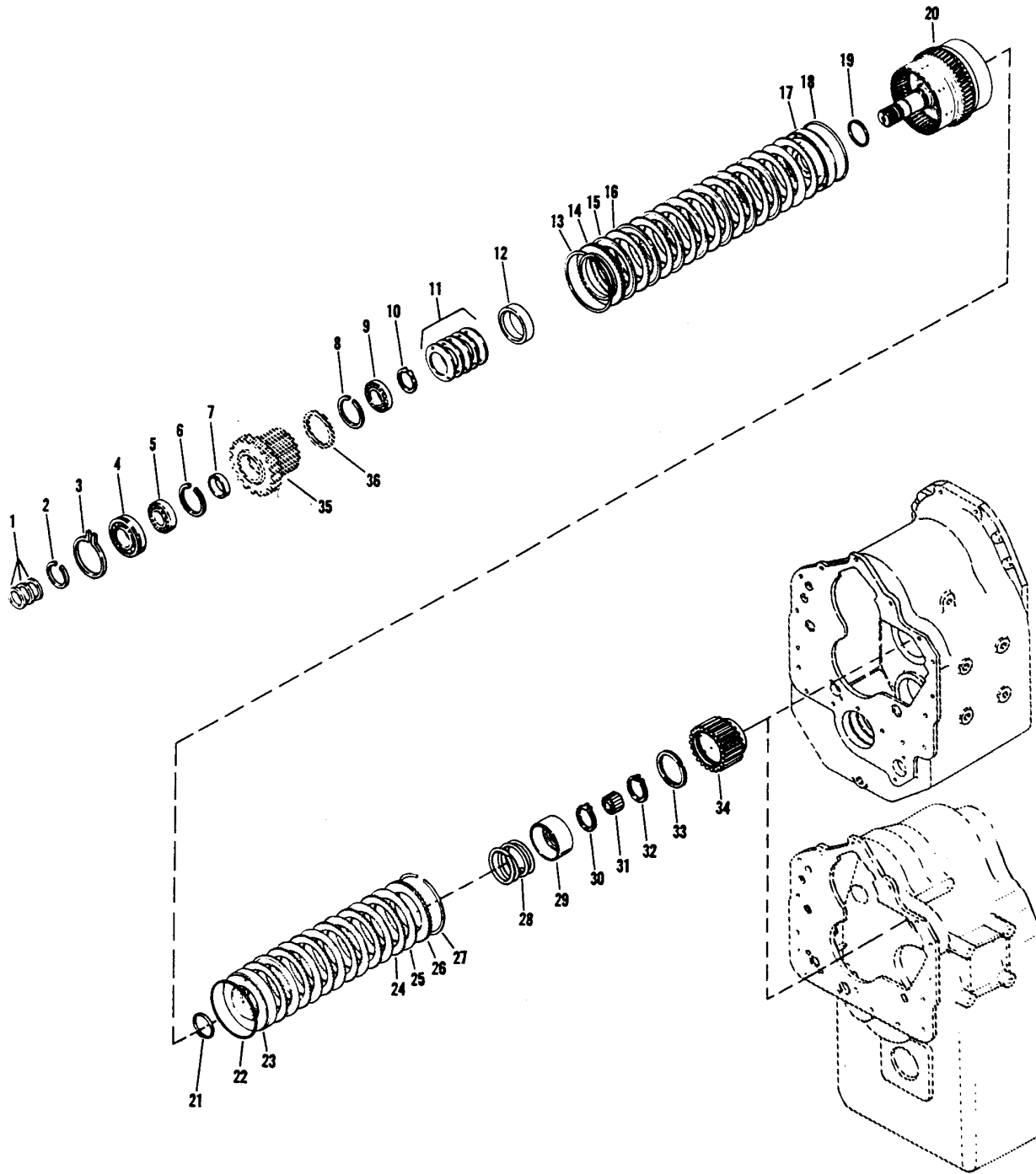
Ref. No.	Part No.	Description	Qty. Req.	Ref. No.	Part No.	Description	Qty. Req.
01	L99357	Bearing Support Screw & Lockwasher. . . . .	2	06	L97527	Auxiliary Pump Drive Gear . . . . .	1
02	L94752	Auxiliary Pump Drive Bearing Support . . . . .	1	07	L99354	Pump Mtg. Cover Capscrew. . . . .	2
03	L94758	Bearing Retaining Ring. . . . .	1	08	L99355	Pump Mtg. Cover Capscrew Lockwasher. . . . .	2
04	L94760	Pump Drive Gear Bearing . . . . .	1	09	L99356	Pump Mtg. Cover . . . . .	1
05	L94751	Bearing Locating Ring . . . . .	1	10		<i>Not Used On This Model</i>	

### Charging Pump Drive Group



Ref. No.	Part No.	Description	Qty. Req.	Ref. No.	Part No.	Description	Qty. Req.
01	L99357	Bearing Support Screw & Lockwasher. . . . .	2	08	L94764	Stub Shaft Lock Ball . . . . .	1
02	L94751	Bearing Locating Ring . . . . .	1	09	L94763	Idler Gear Stub Shaft . . . . .	1
03	L94752	Pump Drive Bearing Support . . . . .	1	10	L94751	Bearing Locating Ring . . . . .	1
04	L94753	Bearing Retaining Ring. . . . .	1	11	L94758	Bearing Retaining Ring. . . . .	1
05	L94754	Pump Drive Gear Bearing . . . . .	1	12	L94760	Idler Stub Shaft Bearing . . . . .	1
06	L94751	Bearing Locating Ring . . . . .	1	13	L94759	Pump Drive Idler Gear . . . . .	1
07	L94756	Pump Drive Gear . . . . .	1	14	L94758	Idler Gear Bearing Ret. Ring . . . . .	1
				15	L94751	Idler Gear Brg. Locating Ring . . . . .	1

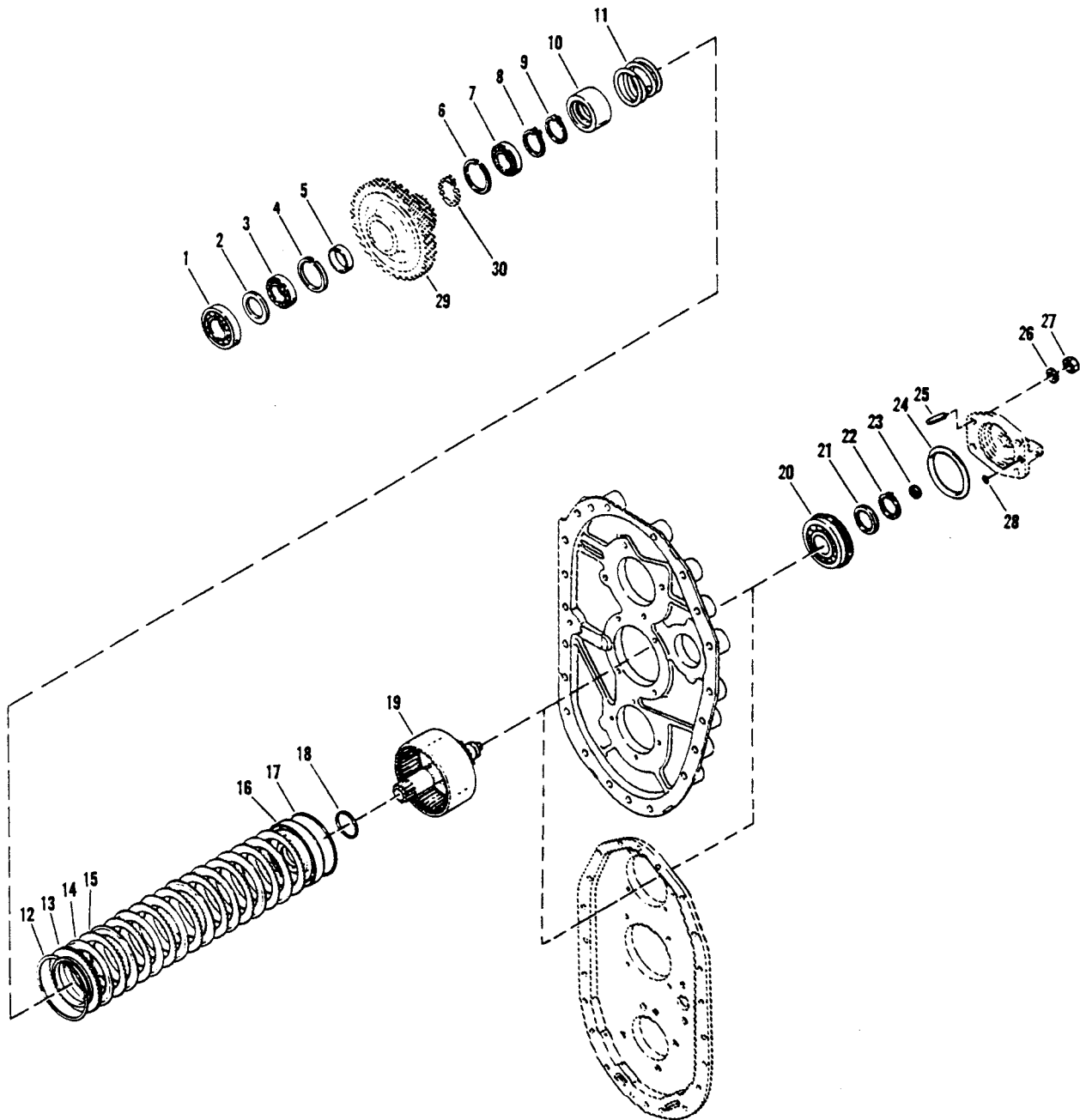
*Reverse & 2nd Shaft Group*



**Reverse & 2nd Shaft Group**

Ref. No.	Part No.	Description	Qty. Req.	Ref. No.	Part No.	Description	Qty. Req.
01	L94867	Rev. & 2nd Shaft Piston Ring . . . . .	3	21	L96066	Inner Clutch Piston Seal . . . . .	1
02	L94868	Front Bearing Retaining Ring . . . . .	1	22	L96065	Outer Clutch Piston Seal . . . . .	1
03	L94869	Front Bearing Snap Ring . . . . .	1	23	L96077	Clutch Piston . . . . .	1
04	L94862	Rev. & 2nd Shaft Front Brg. . . . .	1	24	L96063	Clutch Outer Disc . . . . .	6
05	L94861	Clutch Driven Gear Bearing . . . . .	1	25	L96062	Clutch Inner Disc . . . . .	6
06	L94857	Bearing Retaining Ring . . . . .	1	26	L96061	Clutch Disc Backing Plate . . . . .	1
07	L94859	Clutch Driven Gear Brg. Spacer . . .	1	27	L96060	Backing Plate Snap Ring . . . . .	1
08	L94857	Bearing Retaining Ring . . . . .	1	28	L94851	Piston Return Spring . . . . .	1
09	L94856	Clutch Driven Gear Bearing . . . . .	1	29	L94850	Spring Retainer . . . . .	1
10	L94855	Spring Retainer Snap Ring . . . . .	1	30	L94849	Spring Retainer Snap Ring . . . . .	1
11	L94854	Piston Return Belleville Springs . . .	5	31	L94848	Rev. & 2nd Shaft Rear Bearing . . .	1
12	L94841	Piston Return Spring Spacer . . . . .	1	32	L94847	2nd Clutch Disc Hub Snap Ring . . .	1
13	L96060	Backing Plate Snap Ring . . . . .	1	33	L97509	Ret. Ring (Incl. in Item #34) . . . . .	1
14	L96061	Clutch Disc Backing Plate . . . . .	1	34	L97530	2nd Clutch Disc Hub & Ret. Ring Asy. (Incl. Item #33) . . . .	1
15	L96062	Clutch Inner Disc . . . . .	8	35	L98739	Rev. Clutch Gear & Ret. Ring Asy.(Incl. Item #36) . . . . .	1
16	L96063	Clutch Outer Disc . . . . .	8			<i>See Special Parts Section</i>	
17	L96075	Clutch Piston . . . . .	1	36	L97509	Retaining Ring (Incl. in Item 35) . . .	1
18	L96065	Outer Clutch Piston Seal . . . . .	1			<i>See Special Parts Section</i>	
19	L96066	Inner Clutch Piston Seal . . . . .	1				
20	L97529	Rev. & 2nd Shaft, Drum & Plug Assembly . . . . .	1				

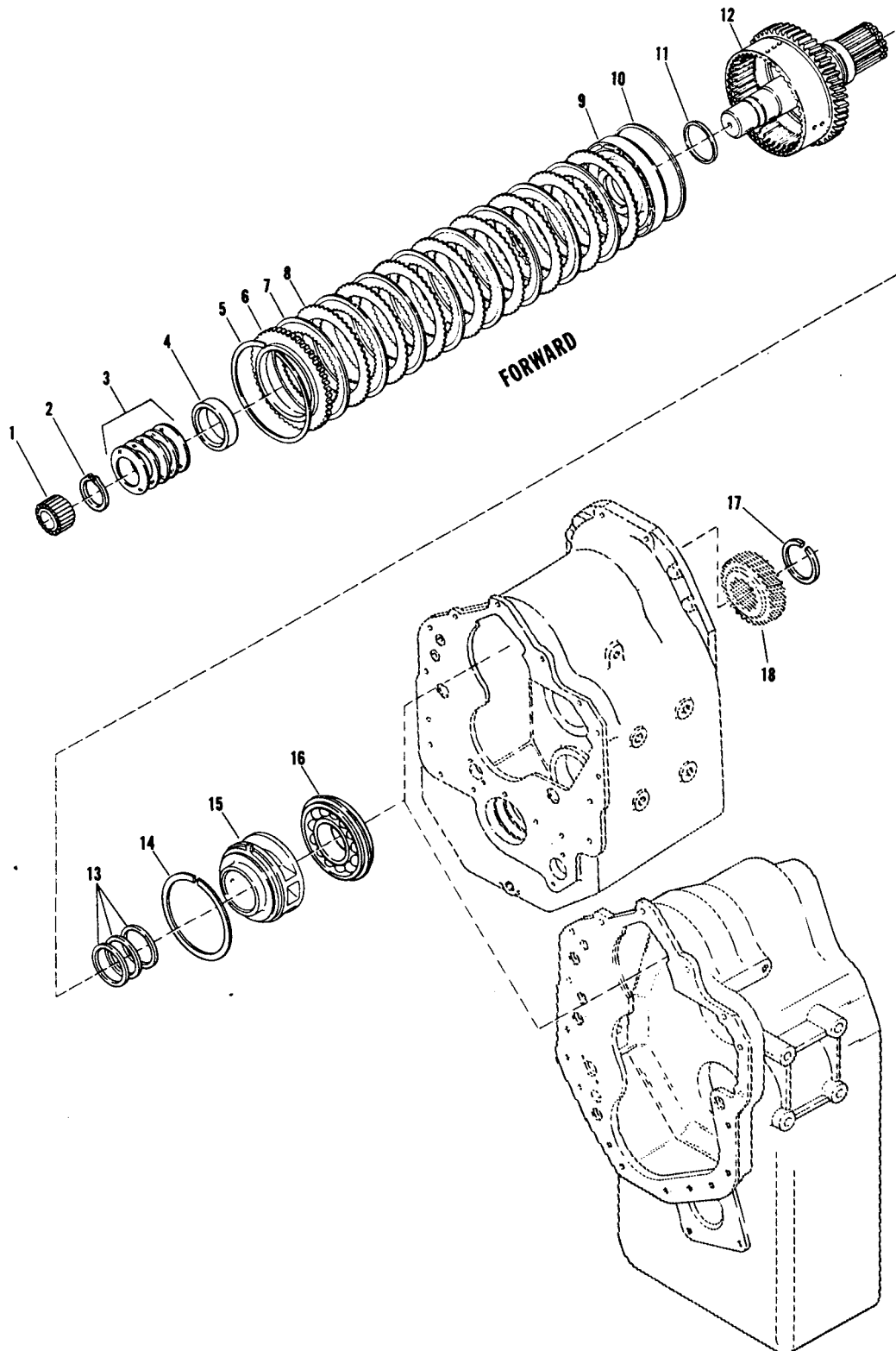
*Low Speed Shaft Group*



***Low Speed Shaft Group***

<b>Ref. No.</b>	<b>Part No.</b>	<b>Description</b>	<b>Qty. Req.</b>	<b>Ref. No.</b>	<b>Part No.</b>	<b>Description</b>	<b>Qty. Req.</b>
01	L94755	Low Speed Clutch		16	L96075	Clutch Piston . . . . .	1
		Shaft Front Bearing . . . . .	1	17	L96065	Outer Clutch Piston Ring . . . . .	1
02	L94897	Front Bearing Spacer . . . . .	1	18	L96066	Inner Clutch Piston Seal. . . . .	1
03	L94898	Low Speed Gear Bearing . . . . .	1	19	L97533	Low Clutch Shaft Drum & Bleed Valve Asy. . . . .	1
04	L97532	Low Speed Gear Bearing Locating Ring . . . . .	1	20	L96033	Low Speed Shaft Rear Bearing. . . . .	1
05	L96000	Low Speed Gear Spacer. . . . .	1	21	L94767	Rear Bearing Support Washer . . . . .	1
06	L97532	Low Speed Gear Bearing Locating Ring . . . . .	1	22	L94847	Rear Bearing Retaining Ring . . . . .	1
07	L94898	Low Speed Gear Bearing . . . . .	1	23	L96011	Low Shaft Piston Ring . . . . .	1
08	L94847	Low Speed Gear Bearing Retaining Ring . . . . .	1	24	L97534	Rear Bearing Cap "O" Ring . . . . .	1
09	L94849	Spring Retainer Snap Ring . . . . .	1	25	L99358	Bearing Cap Stud . . . . .	4
10	L94850	Spring Retainer . . . . .	1	26	L99345	Bearing Cap Stud Lockwasher . . . . .	4
11	L94851	Piston Return Spring . . . . .	1	27	L99359	Bearing Cap Stud Nut . . . . .	4
12	L96060	Backing Plate Snap Ring . . . . .	1	28	L97535	Bearing Cap "O" Ring . . . . .	1
13	L96061	Clutch Disc Backing Plate . . . . .	1	29	L98010	Low Shaft Gear Hub & Ret. Ring Asy. . . . .	1
14	L96076	Clutch Inner Disc . . . . .	8			<i>See Special Parts Section</i>	
15	L96063	Clutch Outer Disc. . . . .	8	30	L97509	Ret. Ring - (Incl. in Item #29) . . . . .	1
						<i>See Special Parts Section</i>	

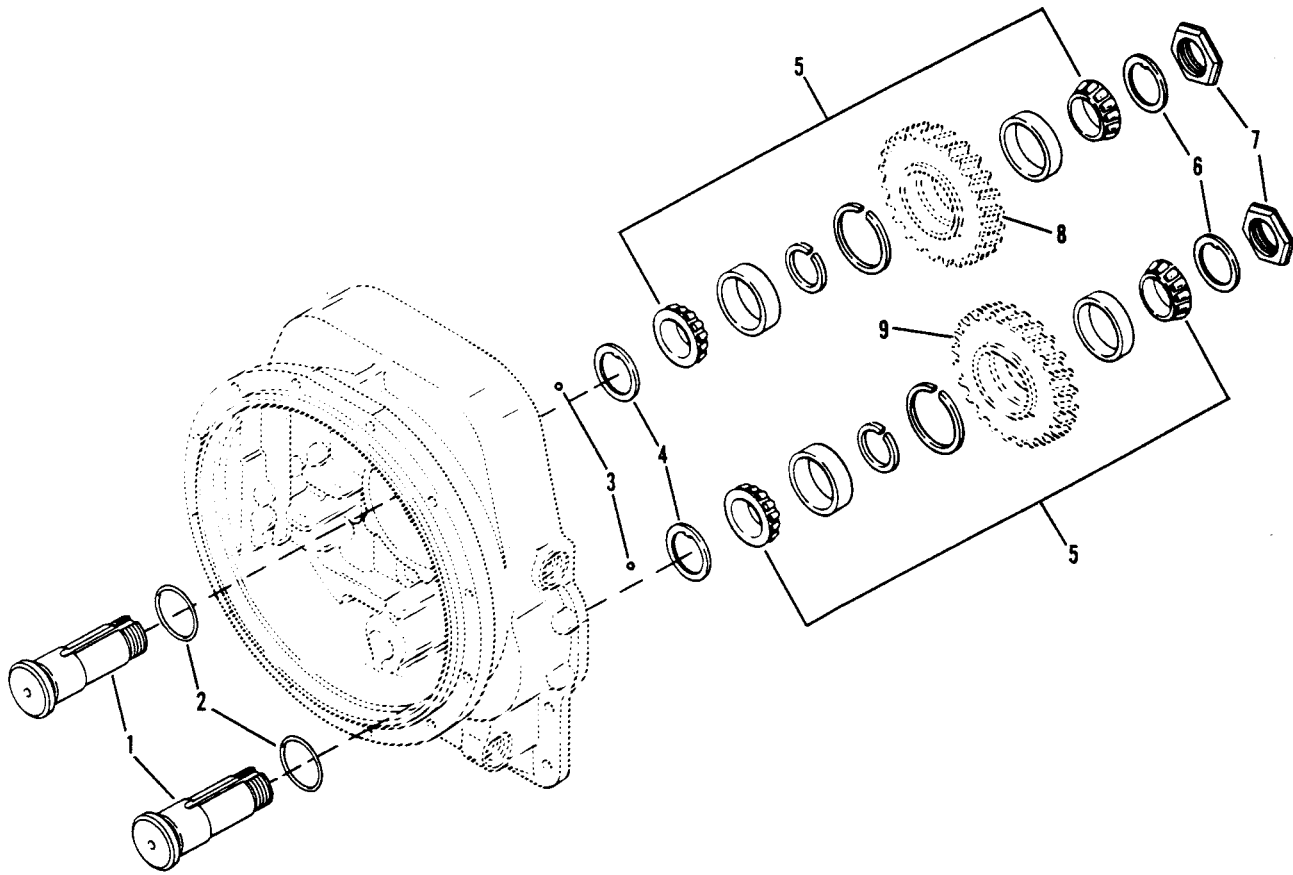
**Forward Shaft Group**



***Forward Shaft Group***

<b>Ref. No.</b>	<b>Part No.</b>	<b>Description</b>	<b>Qty. Req.</b>	<b>Ref. No.</b>	<b>Part No.</b>	<b>Description</b>	<b>Qty. Req.</b>
01	L94895	Forward Shaft Pilot Bearing . . . . .	1	10	L96065	Clutch Piston Ring - Outer . . . . .	1
02	L94855	Spring Retaining Snap Ring . . . . .	1	11	L96066	Clutch Piston Seal - Inner. . . . .	1
03	L94854	Piston Return Spring . . . . .	5	12	L97536	Forwd. Shaft, Drum & Plug Asy. . . . .	1
04	L94841	Piston Return Spring Spacer. . . . .	1	13	L96028	Forward Shaft Piston Ring . . . . .	4
05	L96060	Backing Plate Snap Ring . . . . .	1	14	L96029	Piston Ring Sleeve Ret. Ring . . . . .	1
06	L96061	Clutch Disc Backing Plate . . . . .	1	15	L97569	Piston Ring Sleeve. . . . .	1
07	L96062	Clutch Inner Disc . . . . .	8	16	L96032	Forward Shaft Rear Bearing . . . . .	1
08	L96063	Clutch Outer Disc. . . . .	8	17		<i>Not Used On This Model</i>	
09	L96075	Clutch Piston . . . . .	1	18		<i>Not Used On This Model</i>	

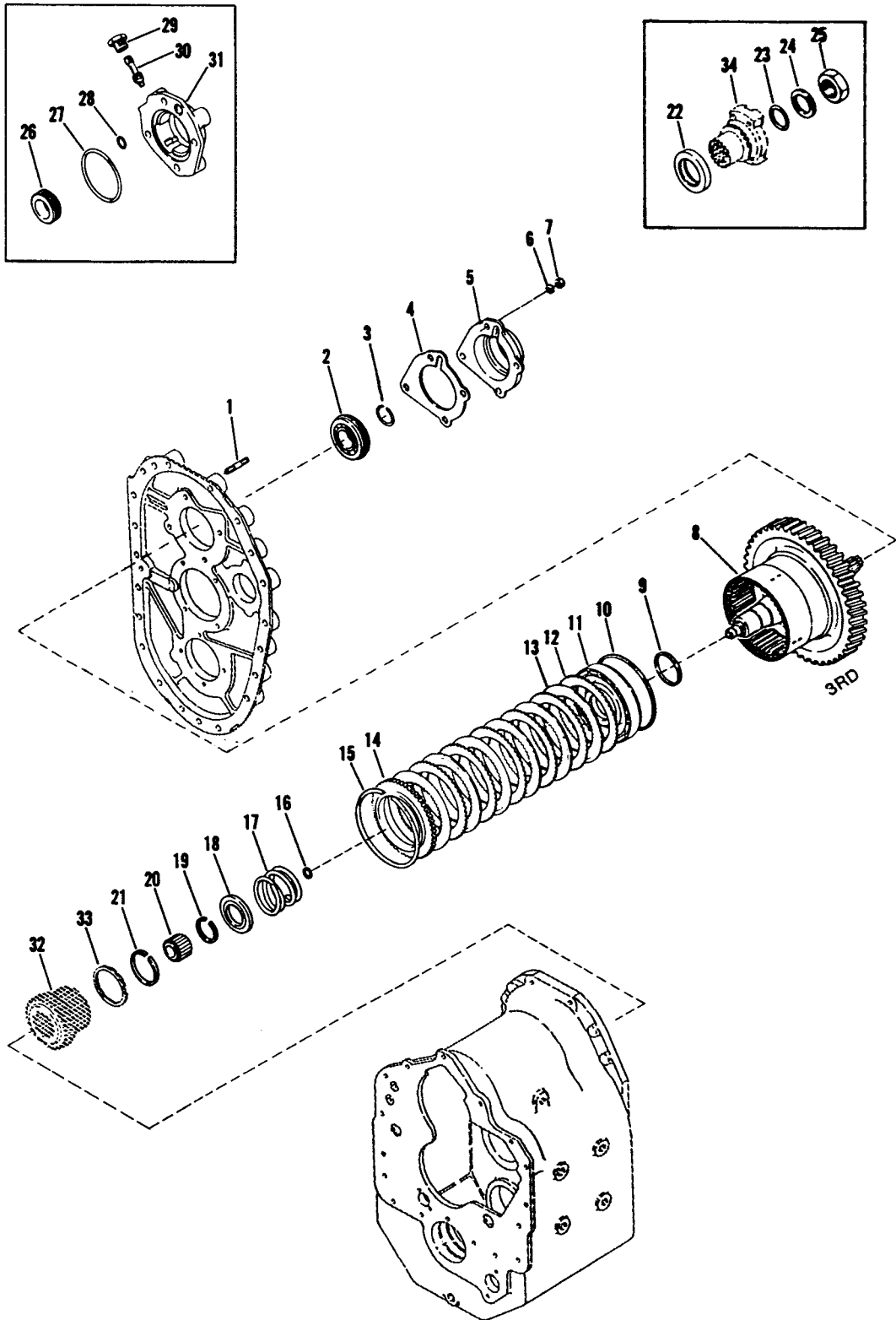
*Reverse Idler Group*



***Reverse Idler Group***

<b>Ref. No.</b>	<b>Part No.</b>	<b>Description</b>	<b>Qty. Req.</b>	<b>Ref. No.</b>	<b>Part No.</b>	<b>Description</b>	<b>Qty. Req.</b>
01	L97539	Reverse Idler Shaft . . . . .	1	05	L97543	Rev. Idler Gear Brg. Asy. . . . .	1
02	L97540	Idler Shaft "O" Ring . . . . .	1	06	L97542	Rev. Idler Gear Brg. Thrust Plate . .	1
03	L97541	Idler Shaft Lockball. . . . .	1	07	L99360	Bearing Retaining Plate Nut . . . . .	1
04	L97542	Rev. Idler Gear Brg. Thrust Plate . .	1	08	L97554	Reverse Idler Gear (37T) . . . . .	1
				09		<i>Not Used On This Model</i>	

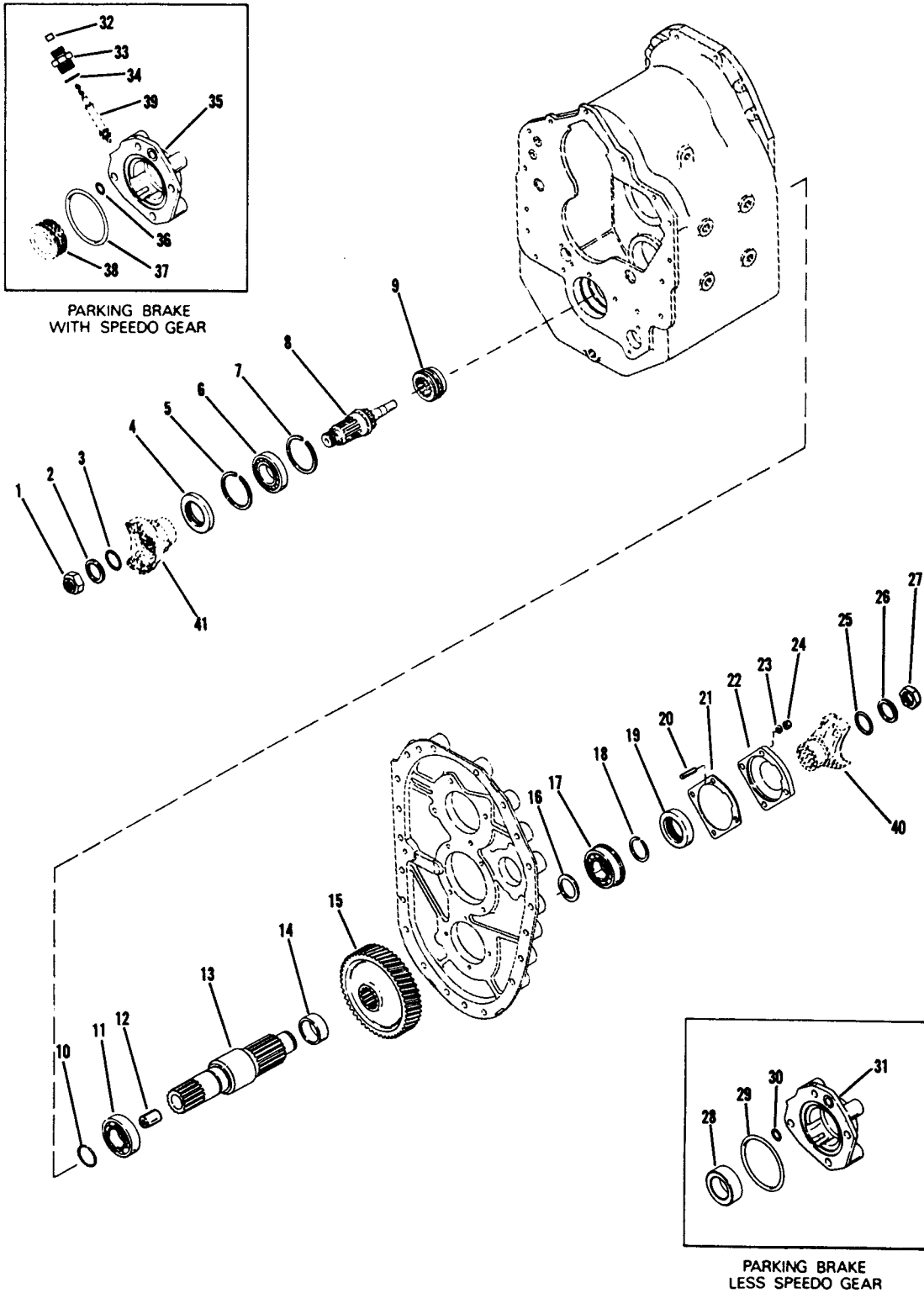
### 3rd Shaft Clutch Group



***3rd Shaft Clutch Group***

<b>Ref. No.</b>	<b>Part No.</b>	<b>Description</b>	<b>Qty. Req.</b>	<b>Ref. No.</b>	<b>Part No.</b>	<b>Description</b>	<b>Qty. Req.</b>
01	L99378	3rd Shaft Rear Brg. Cap Stud . . . . .	4	14	L96061	Clutch Disc Backing Plate . . . . .	1
02	L97545	3rd Shaft Rear Bearing . . . . .	1	15	L96060	Backing Plate Snap Ring . . . . .	1
03	L94868	3rd Shaft Rear Brg. Ret. Ring . . . . .	1	16	L96011	3rd Shaft Piston Ring . . . . .	1
04	L97546	3rd Shaft Bearing Cap Gasket . . . . .	1	17	L94851	Piston Return Spring . . . . .	1
05	L97547	3rd Shaft Rear Brg. Cap . . . . . (Closed End)	1	18	L94850	Spring Retainer . . . . .	1
06	L99030	Bearing Cap Stud Lockwasher . . . . .	4	19	L94849	Spring Retainer Snap Ring . . . . .	1
07	L99361	Bearing Cap Stud Nut . . . . .	4	20	L97549	Pilot Bearing . . . . .	1
08	L97548	3rd Clutch Shaft, Drum & Hub Asy. . . . .	1	21	L94844	3rd Gear & Hub Retainer Ring . . . . .	1
09	L96066	Inner Clutch Piston Seal . . . . .	1	22 thru 31		<i>Not Used On This Model</i>	
10	L96065	Outer Clutch Piston Seal . . . . .	1	32	L97572	3rd Gear & Hub Asy. . . . . <i>(See Special Parts Section)</i>	1
11	L96077	Clutch Piston Asy. . . . .	1	33	L97509	Retaining Ring (Incl. in Item 32) . . . . . <i>(See Special Parts Section)</i>	1
12	L96063	Clutch Outer Disc . . . . .	6	34		<i>Not Used On This Model</i>	
13	L96062	Clutch Inner Disc . . . . .	6				

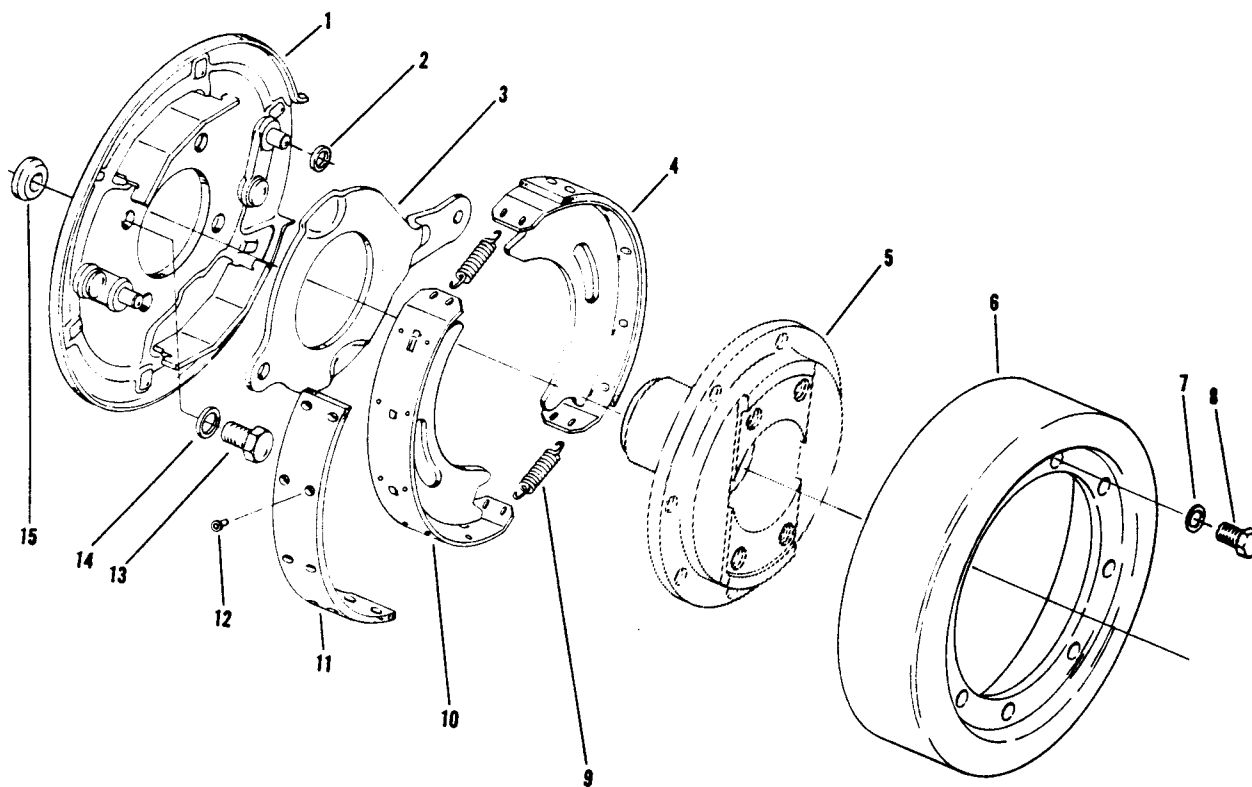
# Output Shaft Group



***Output Shaft Group***

Ref. No.	Part No.	Description	Qty. Req.	Ref. No.	Part No.	Description	Qty. Req.
01	L94797	Flange Nut . . . . .	1	18		<i>Not Used On This Model</i>	
02	L94762	Flange Washer . . . . .	1	19	L97560	Output Shaft Rear Brg.	
03	L97550	Flange "0" Ring . . . . .	1			Cap Oil Seal . . . . .	1
04	L94757	Output Oil Seal . . . . .	1	20	L99362	Bearing Cap Stud . . . . .	4
05	L97551	Bearing Retainer Ring . . . . .	1	21		<i>Not Used On This Model</i>	
06	L97552	Bearing . . . . .	1	22	L94813	See Item #31	
07	L97551	Bearing Retainer Ring . . . . .	1	23	L99363	Bearing Cap Stud lockwasher . . . . .	4
08	L97553	Disconnect Shaft . . . . .	1	24	L99364	Bearing Cap Stud Nut . . . . .	4
09	L97554	Drive Coupling . . . . .	1	25	L97561	Flange "0" Ring . . . . .	1
10	L94768	Output Shaft Bearing Ret. Ring . . . . .	1	26	L99241	Flange Washer . . . . .	1
11	L94755	Output Shaft Front Bearing . . . . .	1	27	L94812	Flange Nut . . . . .	1
12	L97555	Output Shaft Bushing . . . . .	1	28	L99365	Bearing To Flange Spacer . . . . .	1
		(Incl. in Item #13)		29	L97563	Output Brg. Cap "0" Ring . . . . .	1
13	L97556	Output Shaft & Bushing Asy. . . . .	1	30	L97564	Output Brg. Cap "0" Ring . . . . .	1
		(Incl. Item #12)		31	L94813	Output Shaft Rear Brg. Cap . . . . .	1
14	L97557	Output Gear Spacer . . . . .	1	32 thru 39		<i>Not Used On This Model</i>	
15	L97558	Output Shaft Gear (54T) . . . . .	1	40	L97531	Brake Flange (See Front Sheet) . . . . .	1
16	L98014	Gear Thrust Washer . . . . .	1	41	L94761	Output Flange (See Front Sheet) . . . . .	1
17	L97545	Output Shaft Rear Bearing . . . . .					

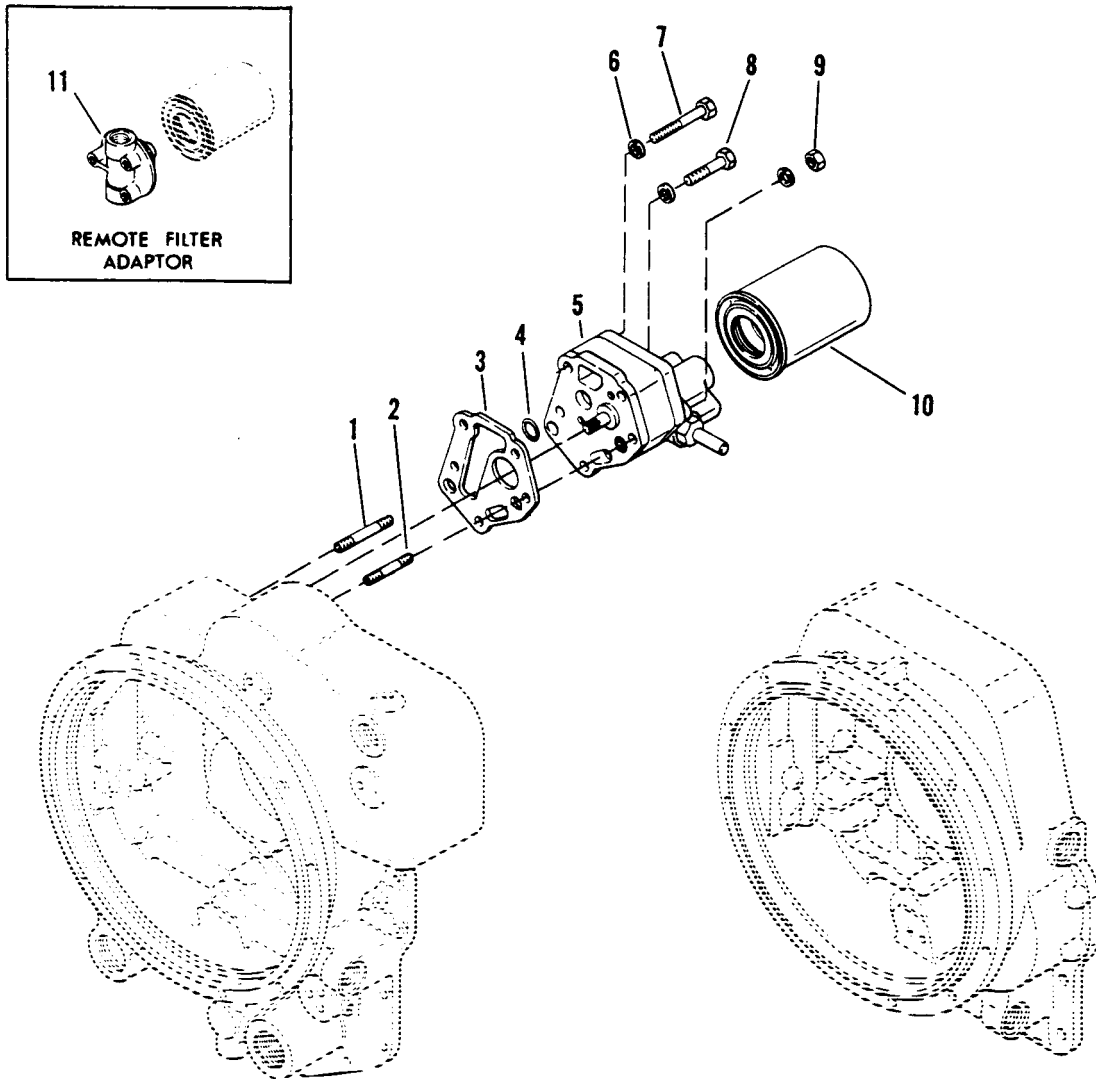
*Parking Brake Group*



***Parking Brake Group***

Ref. No.	Part No.	Description	Qty. Req.	Ref. No.	Part No.	Description	Qty. Req.
-	L94710	Brake Assembly, . . . . .	1	08	L99367	Brake Drum to Flange Screw . . . . .	2
		(Inc. Items 1,2,3,4,9 thru 12)		09	L94711	Return Spring. . . . .	2
01	L96084	Backing Plate Assembly . . . . .	1	10	NSS	Brake Shoe (See Item 4)	
02	L99366	Roller. . . . .	1	11	L94804	Brake Lining & Rivet Kit,. . . . .	1
03	L94669	Actuating Lever . . . . .	1			(Incl. Item 12)	
04	L99198	Brake Shoe & Lining . . . . .	2	12	NSS	Brake Lining Rivet . . . . .	20
05	L97531	Brake Flange (See Front Sheet). . .	1			(Part of Item 11)	
06	L94709	Brake Drum . . . . .	6	13	L99368	Backing Plate Screw . . . . .	4
07	L99030	Brake Drum to Flange		14	L99369	Backing Plate Screw Lockwasher. .	4
		Screw Lockwasher . . . . .	6	15		<i>Not used on this model</i>	

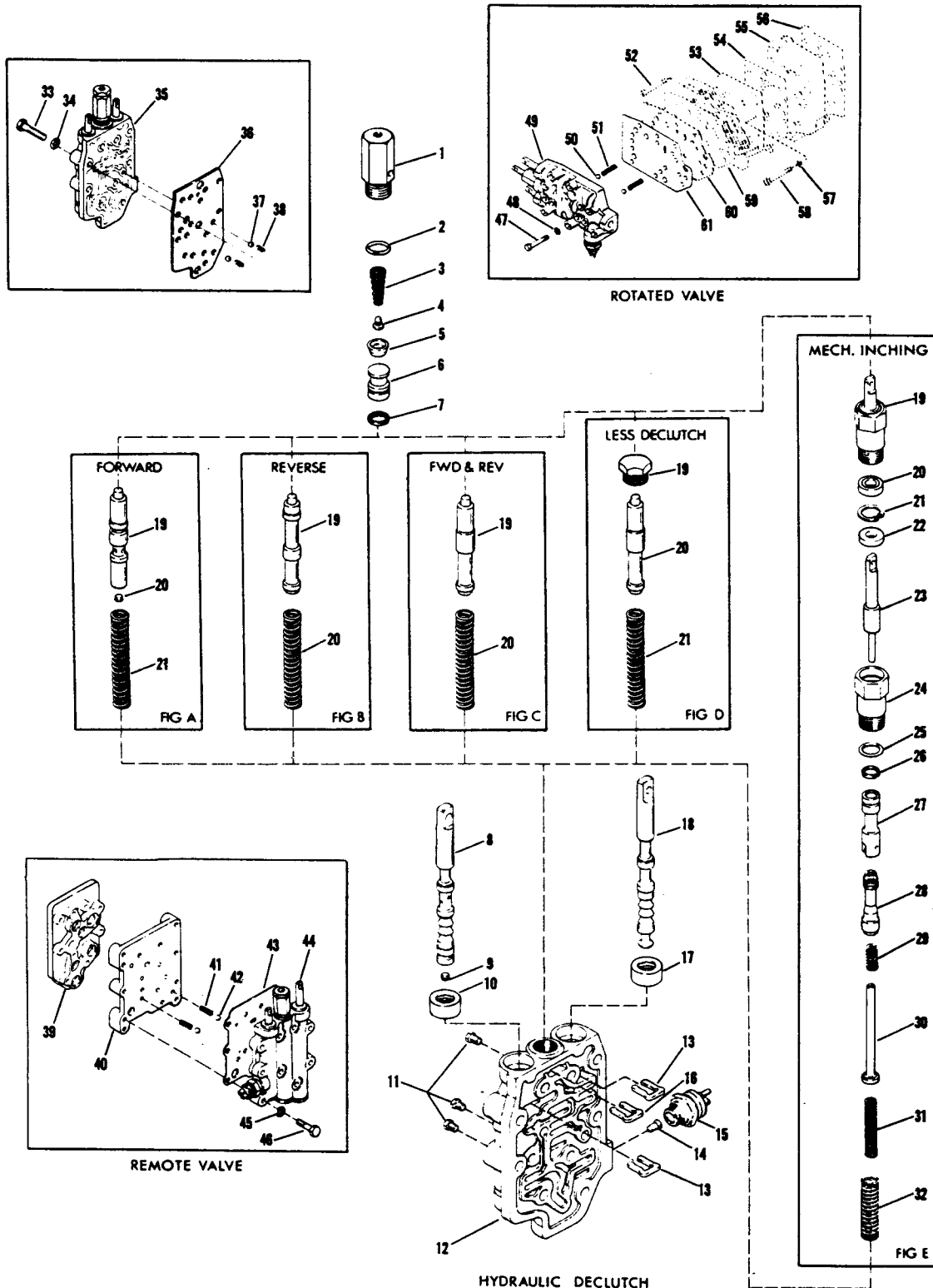
**Charge Pump/Filter Assembly Group**



***Charge Pump/Filter Assembly Group***

<b>Ref. No.</b>	<b>Part No.</b>	<b>Description</b>	<b>Qty. Req.</b>	<b>Ref. No.</b>	<b>Part No.</b>	<b>Description</b>	<b>Qty. Req.</b>
01	L99370	Pump Mounting Stud . . . . .	1	06	L99345	Pump Mtg. Screw Lockwasher . . . . .	5
02	L99371	Pump Mounting Stud . . . . .	1	07	L99372	Pump Mounting Screw . . . . .	1
03	L94747	Pump Assembly to Conv. Housing Gasket . . . . .	1	08	L99373	Pump Mounting Screw . . . . .	2
04	L94748	"O" Ring . . . . .	1	09	L99359	Pump Mounting Stud Nut . . . . .	2
05	L94749	Charging Pump Assembly . . . . .	1	10	L99184	Filter Assembly. . . . .	1
				11		<i>Not used on this Model</i>	

# Control Valve Group



***Control Valve Group***

<b>Ref. No.</b>	<b>Part No.</b>	<b>Description</b>	<b>Qty. Req.</b>	<b>Ref. No.</b>	<b>Part No.</b>	<b>Description</b>	<b>Qty. Req.</b>
01	L97567	Hydraulic Actuator Asy. . . . .	1	14	L94880	Switch Actuating Pin. . . . .	1
		(Inc. Items 1 thru 7)		15	L94881	Neutral Switch . . . . .	1
02	L94872	Piston Housing "0" Ring . . . . .	1	16	L94879	Valve Spool Stop . . . . .	1
03	L94873	Balance Spring & Pin Kit . . . . .	1	17	L94883	Oil Seal . . . . .	1
		(Incl. Item 4)		18	L94882	Forward & Reverse Valve Spool . . .	1
04	NSS	Spring Retainer Pin . . . . .	1	19	L94838	Valve Spool - Fig. "C" . . . . .	1
		(Incl. in Item 3)		20	L94831	Control Valve Spring - Fig. "C" . . . .	1
05	L94875	Piston Seal. . . . .	1	21 thru 32		<i>Not Used On This Model</i>	
06	L94876	Piston . . . . .	1	33	L99374	Valve to Converter Housing Screw . .	9
07	L94877	Glyd. Ring Asy. . . . .	1	34	L99030	Valve to Converter Housing. Screw Lockwasher . . . . .	9
08	L94781	Speed Selector Spool & Plug Asy. . .	1			Control Valve Asy. . . . .	1
		(Incl. Item 9)		35	L94820	(Incl. Items 1, 12, 16, 19 & 20)	
09	L99375	Plug (Incl. in Item 8) . . . . .	1	36	L97569	Control Valve Gasket . . . . .	1
10	L94883	Oil Seal . . . . .	1	37	L94822	Detent Ball . . . . .	2
11	L94803	Pipe Plug . . . . .	3	38	L94823	Detent Spring . . . . .	2
12	L97568	Control Valve Housing Asy. . . . .	1	39 thru 61		<i>Not Used On This Model</i>	
		(Incl. Items 8 thru 15, 17, 18)					
13	L94879	Valve Spool Stop . . . . .	2				

***Numerical Index***

<b>Part No.</b>	<b>Page No.</b>	<b>Ref. No.</b>	<b>Part No.</b>	<b>Page No.</b>	<b>Ref. No.</b>	<b>Part No.</b>	<b>Page No.</b>	<b>Ref. No.</b>	<b>Part No.</b>	<b>Page No.</b>	<b>Ref. No.</b>
L94669	12-25	03	L94812	12-23	27	L94881	12-29	15	L97502	12-5	21
L94709	12-25	06	L94813	12-23	31	L94882	12-29	18	L97503	12-5	22
L94710	12-25		L94813	12-23	22	L94883	12-29	17	L97504	12-5	03
L94711	12-25	09	L94814	12-5	30	L94883	12-29	10	L97505	12-5	23
L94747	12-27	03	L94814	12-5	07	L94895	12-17	01	L97506	12-5	28
L94748	12-5	32	L94817	12-5	44	L94897	12-15	02	L97507	12-5	36
L94748	12-27	04	L94818	12-5	43	L94898	12-15	07	L97508	12-5	41
L94749	12-27	05	L94819	12-5	06	L94898	12-15	03	L97508	12-5	05
L94751	12-10	05	L94820	12-29	35	L96000	12-15	05	L97508	12-5	09
L94751	12-11	10	L94822	12-29	37	L96011	12-15	23	L97508	12-5	51
L94751	12-11	02	L94823	12-29	38	L96011	12-21	16	L97509	12-6	01
L94751	12-11	06	L94824	12-5	02	L96015	12-5	14	L97509	12-13	33
L94751	12-11	15	L94830	12-5	24	L96028	12-17	13	L97509	12-13	36
L94752	12-10	02	L94831	12-29	20	L96029	12-17	14	L97509	12-21	33
L94752	12-11	03	L94838	12-29	19	L96032	12-17	16	L97509	12-15	30
L94753	12-11	04	L94840	12-5	38	L96033	12-15	20	L97510	12-6	02
L94754	12-11	05	L94840	12-5	29	L96060	12-17	05	L97511	12-6	03
L94755	12-15	01	L94841	12-13	12	L96060	12-15	12	L97513	12-6	08
L94755	12-23	11	L94841	12-17	04	L96060	12-13	13	L97514	12-6	13
L94756	12-11	07	L94844	12-21	21	L96060	12-13	27	L97515	12-7	01
L94758	12-10	03	L94847	12-13	32	L96060	12-21	15	L97516	12-7	02
L94758	12-11	14	L94847	12-15	08	L96061	12-13	14	L97518	12-9	04
L94758	12-11	11	L94847	12-15	22	L96061	12-17	06	L97519	12-9	08
L94759	12-11	13	L94848	12-13	31	L96061	12-21	14	L97520	12-9	11
L94760	12-10	04	L94849	12-13	30	L96061	12-13	26	L97521	12-9	12
L94760	12-11	12	L94849	12-21	19	L96061	12-15	13	L97522	12-9	13
L94761	12-23	41	L94849	12-15	09	L96062	12-21	13	L97523	12-9	17
L94762	12-23	02	L94850	12-15	10	L96062	12-13	15	L97524	12-9	18
L94763	12-11	09	L94850	12-21	18	L96062	12-17	07	L97525	12-9	21
L94764	12-11	08	L94850	12-13	29	L96062	12-13	25	L97526	12-9	23
L94767	12-15	21	L94851	12-13	28	L96063	12-13	24	L97527	12-10	06
L94767	12-6	04	L94851	12-21	17	L96063	12-17	08	L97529	12-13	20
L94768	12-23	10	L94851	12-15	11	L96063	12-13	16	L97530	12-13	34
L94768	12-6	05	L94854	12-13	11	L96063	12-21	12	L97531	12-23	40
L94769	12-6	06	L94854	12-17	03	L96063	12-15	15	L97531	12-25	05
L94770	12-6	07	L94855	12-17	02	L96065	12-17	10	L97532	12-15	04
L94772	12-6	12	L94855	12-13	10	L96065	12-13	22	L97532	12-15	06
L94773	12-6	11	L94856	12-13	09	L96065	12-13	18	L97533	12-15	19
L94774	12-6	14	L94857	12-13	06	L96065	12-21	10	L97534	12-15	24
L94781	12-29	08	L94857	12-13	08	L96065	12-15	17	L97535	12-15	28
L94782	12-9	01	L94859	12-13	07	L96066	12-21	09	L97536	12-17	12
L94783	12-9	02	L94861	12-13	05	L96066	12-13	21	L97539	12-19	01
L94784	12-9	03	L94862	12-13	04	L96066	12-17	11	L97540	12-19	02
L94786	12-9	05	L94867	12-13	01	L96066	12-13	19	L97541	12-19	03
L94787	12-9	07	L94868	12-21	03	L96066	12-15	18	L97542	12-19	04
L94789	12-9	09	L94868	12-13	02	L96075	12-17	09	L97542	12-19	06
L94790	12-9	10	L94869	12-13	03	L96075	12-15	16	L97543	12-19	05
L94790	12-9	20	L94872	12-29	02	L96075	12-13	17	L97545	12-21	02
L94793	12-9	14	L94873	12-29	03	L96076	12-15	14	L97545	12-23	17
L94794	12-9	15	L94875	12-29	05	L96077	12-21	11	L97546	12-21	04
L94796	12-9	16	L94876	12-29	06	L96077	12-13	23	L97547	12-21	05
L94797	12-23	01	L94877	12-29	07	L96084	12-25	01	L97548	12-21	08
L94802	12-5	33	L94879	12-29	16	L97499	12-5	10	L97549	12-21	20
L94803	12-29	11	L94879	12-29	13	L97500	12-5	13	L97550	12-23	04
L94804	12-25	09	L94880	12-29	14	L97501	12-5	17	L97550	12-23	03

*Numerical Index*

Part No.	Page No.	Ref. No.	Part No.	Page No.	Ref. No.
L97551	12-23	05	L99346	12-5	12
L97551	12-23	07	L99347	12-5	42
L97552	12-23	06	L99347	12-5	04
L97553	12-23	08	L99348	12-5	27
L97554	12-19	08	L99349	12-5	35
L97554	12-23	09	L99350	12-5	40
L97555	12-23	12	L99351	12-6	09
L97556	12-23	13	L99352	12-9	06
L97557	12-23	14	L99353	12-9	19
L97558	12-23	15	L99354	12-10	07
L97560	12-23	19	L99355	12-10	08
L97561	12-23	25	L99355	12-23	28
L97563	12-23	29	L99356	12-10	09
L97564	12-23	30	L99357	12-10	01
L97567	12-29	01	L99357	12-11	01
L97568	12-29	12	L99358	12-15	25
L97569	12-17	15	L99359	12-27	09
L97569	12-29	36	L99359	12-15	27
L97572	12-21	32	L99360	12-19	07
L97572	12-3	32	L99361	12-21	07
L97722	12-5	31	L99362	12-23	20
L97722	12-5	25	L99363	12-23	23
L97722	12-5	08	L99364	12-23	24
L98014	12-23	16	L99366	12-25	02
L98189	12-9	22	L99367	12-25	08
L98509	12-3	33	L99368	12-25	13
L98509	12-3	36	L99369	12-25	14
L98509	12-3	30	L99370	12-27	01
L98658	12-9	24	L99371	12-27	02
L98734	12-5	50	L99373	12-27	08
L98739	12-3	29	L99374	12-29	33
L98739	12-13	35	L99375	12-29	09
L98739	12-15	29	L99378	12-21	01
L98739	12-3	35			
L99022	12-5	26			
L99030	12-29	34			
L99030	12-25	07			
L99030	12-6	10			
L99030	12-21	06			
L99184	12-27	10			
L99198	12-25	04			
L99241	12-23	26			
L99253	12-5	19			
L99262	12-5	34			
L99262	12-5	01			
L99262	12-5	18			
L99274	12-5	20			
L99327	12-27	07			
L99333	12-7	03			
L99345	12-15	26			
L99345	12-5	16			
L99345	12-27	06			
L99345	12-5	39			
L99345	12-5	11			
L99346	12-5	15			

# **GEHL**®

**GEHL Company** 143 Water Street, P.O. Box 179, West Bend, WI 53095-0179